

# Air-Conditioners

## PUMY-P112, P125, P140VKM4

## PUMY-P112, P125, P140YKM4

## PUMY-P112, P125, P140YKME4

For use with R410A

### INSTALLATION MANUAL

For safe and correct use, read this manual and the indoor unit installation manual thoroughly before installing the air-conditioner unit.

FOR INSTALLER

### INSTALLATIONSHANDBUCH

Aus Sicherheitsgründen und zur richtigen Verwendung vor der Installation die vorliegende Bedienungsanleitung und die Installationsanleitung der Innenanlage gründlich durchlesen die Klimaanlage.

FÜR INSTALLATEURE

### MANUEL D'INSTALLATION

Avant d'installer le climatiseur, lire attentivement ce manuel, ainsi que le manuel d'installation de l'appareil intérieur pour une utilisation sûre et correcte.

POUR L'INSTALLATEUR

### INSTALLATIEHANDLEIDING

Lees deze handleiding en de installatiehandleiding van het binnenapparaat zorgvuldig door voordat u met het installeren van de airconditioner begint.

VOOR DE INSTALLATEUR

### MANUAL DE INSTALACIÓN

Para un uso correcto y seguro, lea detalladamente este manual y el manual de instalación de la unidad interior antes de instalar la unidad de aire acondicionado.

PARA EL INSTALADOR

### MANUALE DI INSTALLAZIONE

Per un uso sicuro e corretto, leggere attentamente il presente manuale ed il manuale d'installazione dell'unità interna prima di installare il condizionatore d'aria.

PER L'INSTALLATORE

### ΕΓΧΕΙΡΙΔΙΟ ΟΔΗΓΙΩΝ ΕΓΚΑΤΑΣΤΑΣΗΣ

Για σωστή και ασφαλή χρήση, διαβάστε προσεκτικά αυτό το εγχειρίδιο καθώς και το εγχειρίδιο εγκατάστασης της εσωτερικής μονάδας, προτού εγκαταστήσετε τη μονάδα του κλιματιστικού.

ΓΙΑ ΑΥΤΟΝ ΠΟΥ ΚΑΝΕΙ ΤΗΝ ΕΓΚΑΤΑΣΤΑΣΗ

### MANUAL DE INSTALAÇÃO

Para uma utilização segura e correcta, leia atentamente este manual e o manual de instalação da unidade interior antes de instalar o aparelho de ar condicionado.

PARA O INSTALADOR

### INSTALLATIONSMANUAL

Læs af sikkerhedshensyn denne manual samt manualen til installation af indendørsenheden grundigt, før du installerer klimaanlægget.

TIL INSTALLATØREN

### INSTALLATIONSMANUAL

Läs bruksanvisningen och inomhusenhetens installationshandbok noga innan luftkonditioneringen installeras så att den används på ett säkert och korrekt sätt.

FÖR INSTALLATÖREN

### MONTAJ ELKİTABI

Emniyetli ve doğru kullanım için, klima cihazını monte etmeden önce bu kılavuzu ve iç ünite montaj kılavuzunu tamamiyle okuyun.

MONTÖR İÇİN

### РУКОВОДСТВО ПО УСТАНОВКЕ

Для обеспечения безопасной и надлежащей эксплуатации внимательно прочтите данное руководство и руководство по установке внутреннего прибора перед установкой кондиционера.

ДЛЯ УСТАНОВИТЕЛЯ

### INSTALLASJONSHÅNDBOK

For å sikre trygg og riktig bruk skal denne håndboken samt installasjonshåndboken for innendørsenheten leses grundig gjennom før du installerer klimaanleggenheten.

FOR MONTØR

### INSTRUKCJA MONTAŻU

Aby zapewnić bezpieczne i prawidłowe korzystanie z urządzenia, przed montażem klimatyzatora należy dokładnie zapoznać się z treścią niniejszej instrukcji oraz instrukcji montażu jednostki wewnętrznej.

DLA INSTALATORA

English (GB)

Deutsch (D)

Français (F)

Nederlands (NL)

Español (E)

Italiano (I)

Ελληνικά (GR)

Português (P)

Dansk (DA)

Svenska (SW)

Türkçe (TR)

Русский (RU)

Norsk (NO)

Polski (PL)

# Contents

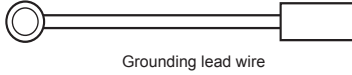
1. Safety precautions.....	2	5. Drainage piping work.....	14
2. Installation location.....	4	6. Electrical work.....	14
3. Installing the outdoor unit.....	7	7. Test run.....	23
4. Installing the refrigerant piping.....	7		

### ⚠ Caution:

- Do not vent R410A into the atmosphere.

## Confirmation of parts attached

In addition to this manual, the following part is supplied with the outdoor unit. It is used for grounding the S terminal of transmission terminal block TB7. For detail refer to "6. Electrical work".



Grounding lead wire

## 1. Safety precautions

- ▶ Before installing the unit, make sure you read all the "Safety precautions".
- ▶ Please report to or take consent by the supply authority before connection to the system.
- ▶ PUMY-P-VKM series complying with IEC/EN 61000-3-12
- ▶ PUMY-P-VKM series and PUMY-P-YKME series are designed for use in the residential, commercial and light-industrial environment.
- ▶ PUMY-P-YKM series is designed as professional equipment.
- ▶ When connecting an ATW indoor unit (EHST20C and EHSC series) with a 3-phase model, use PUMY-P-YKME4.

### ⚠ Warning:

Describes precautions that must be observed to prevent danger of injury or death to the user.

### ⚠ Caution:

Describes precautions that must be observed to prevent damage to the unit.

### ⚠ Warning:

- The unit must not be installed by the user. Ask a dealer or an authorized technician to install the unit. If the unit is installed incorrectly, water leakage, electric shock, or fire may result.
- This appliance is intended to be used by expert or trained users in shops, in light industry and on farms, or for commercial use by lay persons.
- For installation work, follow the instructions in the Installation Manual and use tools and pipe components specifically made for use with R410A refrigerant. The R410A refrigerant in the HFC system is pressurized 1.6 times the pressure of usual refrigerants. If pipe components not designed for R410A refrigerant are used and the unit is not installed correctly, the pipes may burst and cause damage or injuries. In addition, water leakage, electric shock, or fire may result.
- The unit must be installed according to the instructions in order to minimize the risk of damage from earthquakes, typhoons, or strong winds. An incorrectly installed unit may fall down and cause damage or injuries.
- The unit must be securely installed on a structure that can sustain its weight. If the unit is mounted on an unstable structure, it may fall down and cause damage or injuries.
- If the air conditioner is installed in a small room, measures must be taken to prevent the refrigerant concentration in the room from exceeding the safety limit in the event of refrigerant leakage. Consult a dealer regarding the appropriate measures to prevent the allowable concentration from being exceeded. Should the refrigerant leak and cause the concentration limit to be exceeded, hazards due to lack of oxygen in the room may result.
- Ventilate the room if refrigerant leaks during operation. If refrigerant comes into contact with a flame, poisonous gases will be released.
- All electric work must be performed by a qualified technician according to local regulations and the instructions given in this manual. The units must be powered by dedicated power lines and the correct voltage and circuit breakers must be used. Power lines with insufficient capacity or incorrect electrical work may result in electric shock or fire.
- Use C1220 copper phosphorus, for copper and copper alloy seamless pipes, to connect the refrigerant pipes. If the pipes are not connected correctly, the unit will not be properly grounded and electric shock may result.

After installation work has been completed, explain the "Safety Precautions," use, and maintenance of the unit to the customer according to the information in the Operation Manual and perform the test run to ensure normal operation. Both the Installation Manual and Operation Manual must be given to the user for keeping. These manuals must be passed on to subsequent users.

⚡: Indicates a part which must be grounded.

### ⚠ Warning:

Carefully read the labels affixed to the main unit.

- Use only specified cables for wiring. The wiring connections must be made securely with no tension applied on the terminal connections. Also, never splice the cables for wiring (unless otherwise indicated in this document). Failure to observe these instructions may result in overheating or a fire.
- The terminal block cover panel of the outdoor unit must be firmly attached. If the cover panel is mounted incorrectly and dust and moisture enter the unit, electric shock or fire may result.
- When installing or relocating, or servicing the air conditioner, use only the specified refrigerant (R410A) to charge the refrigerant lines. Do not mix it with any other refrigerant and do not allow air to remain in the lines. If air is mixed with the refrigerant, then it can be the cause of abnormal high pressure in the refrigerant line, and may result in an explosion and other hazards. The use of any refrigerant other than that specified for the system will cause mechanical failure or system malfunction or unit breakdown. In the worst case, this could lead to a serious impediment to securing product safety.
- Use only accessories authorized by Mitsubishi Electric and ask a dealer or an authorized technician to install them. If accessories are incorrectly installed, water leakage, electric shock, or fire may result.
- Do not alter the unit. Consult a dealer for repairs. If alterations or repairs are not performed correctly, water leakage, electric shock, or fire may result.
- The user should never attempt to repair the unit or transfer it to another location. If the unit is installed incorrectly, water leakage, electric shock, or fire may result. If the air conditioner must be repaired or moved, ask a dealer or an authorized technician.
- After installation has been completed, check for refrigerant leaks. If refrigerant leaks into the room and comes into contact with the flame of a heater or portable cooking range, poisonous gases will be released.
- The appliance shall be installed in accordance with national wiring regulations.
- If the supply cord is damaged, it must be replaced by the manufacturer, its service agent or similarly qualified persons in order to avoid a hazard.

# 1. Safety precautions

## 1.1. Before installation

### ⚠ Caution:

- Do not use the unit in an unusual environment. If the air conditioner is installed in areas exposed to steam, volatile oil (including machine oil), or sulfuric gas, areas exposed to high salt content such as the seaside, or areas where the unit will be covered by snow, the performance can be significantly reduced and the internal parts can be damaged.
- Do not install the unit where combustible gases may leak, be produced, flow, or accumulate. If combustible gas accumulates around the unit, fire or explosion may result.
- The outdoor unit produces condensation during the heating operation. Make sure to provide drainage around the outdoor unit if such condensation is likely to cause damage.
- When installing the unit in a hospital or communications office, be prepared for noise and electronic interference. Inverters, home appliances, high-frequency medical equipment, and radio communications equipment can cause the air conditioner to malfunction or breakdown. The air conditioner may also affect medical equipment, disturbing medical care, and communications equipment, harming the screen display quality.

## 1.2. Before installation (relocation)

### ⚠ Caution:

- Be extremely careful when transporting the units. Two or more persons are needed to handle the unit, as it weighs 20 kg or more. Do not grasp the packaging bands. Wear protective gloves to remove the unit from the packaging and to move it, as you can injure your hands on the fins or other parts.
- Be sure to safely dispose of the packaging materials. Packaging materials, such as nails and other metal or wooden parts may cause stabs or other injuries.
- The base and attachments of the outdoor unit must be periodically checked for looseness, cracks or other damage. If such defects are left uncorrected, the unit may fall down and cause damage or injuries.
- Do not clean the air conditioner unit with water. Electric shock may result.
- Tighten all flare nuts to specification using a torque wrench. If tightened too much, the flare nut can break after an extended period and refrigerant can leak out.

## 1.3. Before electric work

### ⚠ Caution:

- Be sure to install circuit breakers. If not installed, electric shock may result.
- For the power lines, use standard cables of sufficient capacity. Otherwise, a short circuit, overheating, or fire may result.
- When installing the power lines, do not apply tension to the cables. If the connections are loosened, the cables can snap or break and overheating or fire may result.
- Be sure to ground the unit. Do not connect the ground wire to gas or water pipes, lightning rods, or telephone grounding lines. If the unit is not properly grounded, electric shock may result.
- Use circuit breakers (ground fault interrupter, isolating switch (+B fuse), and molded case circuit breaker) with the specified capacity. If the circuit breaker capacity is larger than the specified capacity, breakdown or fire may result.

## 1.4. Before starting the test run

### ⚠ Caution:

- Turn on the main power switch more than 12 hours before starting operation. Starting operation just after turning on the power switch can severely damage the internal parts. Keep the main power switch turned on during the operation season.
- Before starting operation, check that all panels, guards and other protective parts are correctly installed. Rotating, hot, or high voltage parts can cause injuries.
- Do not touch any switch with wet hands. Electric shock may result.
- Do not touch the refrigerant pipes with bare hands during operation. The refrigerant pipes are hot or cold depending on the condition of the flowing refrigerant. If you touch the pipes, burns or frostbite may result.
- After stopping operation, be sure to wait at least five minutes before turning off the main power switch. Otherwise, water leakage or breakdown may result.

## 1.5. Using R410A refrigerant air conditioners

### ⚠ Caution:

- Use C1220 copper phosphorus, for copper and copper alloy seamless pipes, to connect the refrigerant pipes. Make sure the insides of the pipes are clean and do not contain any harmful contaminants such as sulfuric compounds, oxidants, debris, or dust. Use pipes with the specified thickness. (Refer to page 7) Note the following if reusing existing pipes that carried R22 refrigerant.
  - Replace the existing flare nuts and flare the flared sections again.
  - Do not use thin pipes. (Refer to page 7)
- Store the pipes to be used during installation indoors and keep both ends of the pipes sealed until just before brazing. (Leave elbow joints, etc. in their packaging.) If dust, debris, or moisture enters the refrigerant lines, oil deterioration or compressor breakdown may result.
- Use ester oil, ether oil, alkylbenzene oil (small amount) as the refrigeration oil applied to the flared sections. If mineral oil is mixed in the refrigeration oil, oil deterioration may result.
- Do not use refrigerant other than R410A refrigerant. If another refrigerant is used, the chlorine will cause the oil to deteriorate.
- Use the following tools specifically designed for use with R410A refrigerant. The following tools are necessary to use R410A refrigerant. Contact your nearest dealer for any questions.

Tools (for R410A)	
Gauge manifold	Flare tool
Charge hose	Size adjustment gauge
Gas leak detector	Vacuum pump adapter
Torque wrench	Electronic refrigerant charging scale

- Be sure to use the correct tools. If dust, debris, or moisture enters the refrigerant lines, refrigeration oil deterioration may result.
- Do not use a charging cylinder. If a charging cylinder is used, the composition of the refrigerant will change and the efficiency will be lowered.

## 2. Installation location

### 2.1. Refrigerant pipe

Refer to Fig. 4-1.

### 2.2. Choosing the outdoor unit installation location

- Avoid locations exposed to direct sunlight or other sources of heat.
- Select a location from which noise emitted by the unit will not inconvenience neighbors.
- Select a location permitting easy wiring and pipe access to the power source and indoor unit.
- Avoid locations where combustible gases may leak, be produced, flow, or accumulate.
- Note that water may drain from the unit during operation.
- Select a level location that can bear the weight and vibration of the unit.
- Avoid locations where the unit can be covered by snow. In areas where heavy snow fall is anticipated, special precautions such as raising the installation location or installing a hood on the air intake must be taken to prevent the snow from blocking the air intake or blowing directly against it. This can reduce the airflow and a malfunction may result.
- Avoid locations exposed to oil, steam, or sulfuric gas.
- Use the transportation handles of the outdoor unit to transport the unit. If the unit is carried from the bottom, hands or fingers may be pinched.

### 2.3. Outline dimensions (Outdoor unit) (Fig. 2-1)

#### Constraints on indoor unit installation

You should note that indoor units that can be connected to this outdoor unit are the following models.

- Indoor units with model numbers 15-140 can be connected.
- When using Branch box, Indoor units with model numbers 15-100 can be connected.
- Refer to the table 1 below for possible room, indoor unit combinations.

#### Verification

The rated capacity should be determined by observing the table below. The unit's quantities are limited as shown in the following table 2. For the next step, make sure that the total rated capacity selected will stay in a range of 50% – 130% of the outdoor unit capacity.

- PUMY-P112 6.3 – 16.2 kW
- PUMY-P125 7.1 – 18.2 kW
- PUMY-P140 8.0 – 20.2 kW

Table 1-1 City Multi indoor units (P-FY series)

Indoor unit type	P15*	P20	P25	P32	P40	P50	P63	P71	P80	P100	P125	P140
Rated capacity (Cooling) (kW)	1.7	2.2	2.8	3.6	4.5	5.6	7.1	8.0	9.0	11.2	14.0	16.0

Table 1-2 (M series, P series, S series)

Indoor unit type	15	20	22	25	35	42	50	60	71	80	100
Rated capacity (Cooling) (kW)	1.5	2.0	2.2	2.5	3.5	4.2	5.0	6.0	7.1	8.0	10.0

Combinations in which the total capacity of indoor units exceeds the capacity of the outdoor unit will reduce the cooling capacity of each indoor unit below their rated cooling capacity. Thus, combine indoor units with an outdoor unit within the outdoor unit's capacity, if possible.

\* When all the indoor units are P15 models, 12 indoor units can be connected to 1 outdoor unit.

### 2.4. Connecting a PWFY Unit

When using a PWFY unit as an indoor unit, be aware of the following points because the PWFY unit is different from other indoor units.

A PWFY unit cannot be connected within the EU.

#### 2.4.1. Connection restrictions

- Only 1 PWFY-P100VM-E-AU can be connected. PWFY-P200VM-E-AU and PWFY-P100VM-E-BU cannot be connected.
- The PWFY unit cannot be the only unit connected to an outdoor unit. Select an outdoor unit so that the total rated capacity of the indoor units, excluding the PWFY unit, is 50–100% of the outdoor unit capacity.

Limits for the total rated capacity of the indoor units when connecting a PWFY unit

- PUMY-P112 (1 PWFY unit + Non-PWFY units [6.3 – 12.5 kW])
- PUMY-P125 (1 PWFY unit + Non-PWFY units [7.1 – 14.0 kW])
- PUMY-P140 (1 PWFY unit + Non-PWFY units [8.0 – 15.5 kW])

#### 2.4.2. Indoor unit specifications

When connecting a PWFY unit to a PUMY unit, the following specifications will change.

- The PWFY unit can operate only in heating mode. The PWFY unit cannot operate in cooling mode. However, the indoor units other than the PWFY unit can operate in cooling mode.
- The other indoor units cannot operate at the same time as the PWFY unit.
- The operation of the PWFY unit has priority. When the PWFY unit is in the operation mode, the other indoor units will stop.
- The temperature setting of the remote controller is the target value for the outlet water temperature.

#### 2.4.3. Switch settings (Fig. 2-2)

When connecting a PWFY unit to a PUMY unit, set DIP switches SW1-1, SW4-2, and SW4-6 of the PWFY unit to ON.

#### 2.4.4. Test run

If the test run is carried out using the outdoor unit switches, the PWFY unit will not operate. Carry out the test run using the PWFY unit switches or the remote controller.

For information about carrying out the test run, refer to the data book or the service manual for the PWFY unit.

#### 2.4.5. Refrigerant collecting (Pump down)

Step ① in the pump down procedure instructs the user to "operate all indoor units in cooling mode". However, the PWFY unit will not operate in cooling mode. Operate all of the indoor units, excluding the PWFY unit, in cooling mode.

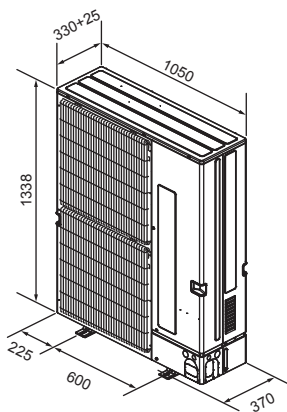


Fig. 2-1

Table 2 Connectable indoor units quantities

- City Multi indoor units

P112	1-9 *1
P125	1-10 *2
P140	1-12 *3

\*1 When connecting M series indoor units via Connection kit, 10 indoor units can be connected.

\*2 When connecting M series indoor units via Connection kit, 12 indoor units can be connected.

\*3 When all the indoor units are P15 models, 12 indoor units can be connected.

- Branch Box system (M, S, P series indoor units via Branch box)

P112	2-8
P125	2-8
P140	2-8

- Mixed system (City Multi indoor units and M, S, P series indoor units via Branch box)

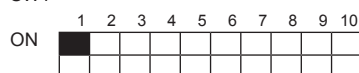
	One Branch box		Two Branch boxes	
	Via Branch box	City Multi indoor	Via Branch box	City Multi indoor
P112	Max. 5	Max. 5*1	Max. 7 Max. 8	Max. 3*1 Max. 2*1
P125	Max. 5	Max. 5*1	Max. 8	Max. 3*1
P140	Max. 5	Max. 5*1	Max. 8	Max. 3*1

\*1 PKFY-P-VBM, PFFY-P-VKM, and PFFY-P-VL\* type indoor units cannot be used in a mixed system.

Table 3 PWFY unit specifications

Model		PWFY-P100VM-E-AU
Temp. range of Heating	Outdoor temp.	-15 to 21°C (DB), -15 to 15°C (WB)
	Inlet Water temp.	10 to 45°C
Temp. range of Cooling	Outdoor temp.	-
	Inlet Water temp.	-

SW1



SW4

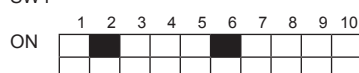


Fig. 2-2

## 2. Installation location

### 2.5. Connecting a Cylinder (EHST20C) or Hydrobox (EHSC) unit

When connecting a Cylinder or Hydrobox unit, be aware of the following points because the Cylinder and Hydrobox unit are different from other indoor units.

#### 2.5.1. Connection restrictions

- Only 1 Cylinder (EHST20C) or 1 Hydrobox (EHSC) unit can be connected.  
(EHST20C-MEC, EHST20D series, EHPT20X series, EHSD series, EHSC-MEC, ERSD series, ERSC series and EHPX series cannot be connected.)
- When connecting Ecodan systems, use a PAC-MK32/52BC(B) branch box. (A PAC-MK31/51BC(B) branch box cannot be used.)
- PWFY units cannot be connected at the same time as a Cylinder or Hydrobox unit.
- ATA indoor units\*1 with a total rated capacity of 50% – 130% of the outdoor unit capacity and 1 Cylinder or 1 Hydrobox unit can be connected.

\*1 ATA indoor unit: An indoor unit excluding a PWFY, Cylinder unit, and Hydrobox unit.

PUMY-P112 1 Cylinder or 1 Hydrobox + ATA indoor units [max 16.2 (1.3\*2) kW]

PUMY-P125 1 Cylinder or 1 Hydrobox + ATA indoor units [max 18.2 (2.8\*2) kW]

PUMY-P140 1 Cylinder or 1 Hydrobox + ATA indoor units [max 20.2 (4.3\*2) kW]

\*2 In case of the operating a Cylinder or Hydrobox unit in Heating mode / DHW mode and operating ATA indoor units at the same time.

However, the following combinations can be connected.

- PUMY-P112: MSZ-SF15VE × 1
- PUMY-P125: MSZ-SF15VE × 2
- PUMY-P140: MSZ-SF15VE × 3

#### 2.5.2. Indoor unit specifications

When connecting a Cylinder or a Hydrobox unit, the following specifications will change.

- The Cylinder or Hydrobox unit cannot operate in cooling mode.
- The operation mode of the Cylinder or Hydrobox unit always has priority.
- The DHW operation eco mode cannot be used.
- Maximum flow temperature is 55°C. (Dip SW1-2 on the Cylinder or Hydrobox unit must be changed to OFF.)
- Energy monitoring can be used only when an external power meter is connected.
- Multiple outdoor units cannot be controlled.
- A Cylinder or Hydrobox unit cannot be connected to an M-NET remote controller and a centralized controller.
- Boiler interlock can be used only when switching to the outside air temperature.
- A Cylinder or Hydrobox unit cannot be grouped with an ATA indoor unit.
- In case of the operating a Cylinder or Hydrobox unit in the **Heating mode** and operating ATA indoor units at the same time, be aware of the following points.
  - Heating flow temperature range of Cylinder or Hydrobox unit is 45°C - 55°C.  
Please set the flow temperature range in reference to the Cylinder or Hydrobox installation Manual.
  - The outdoor temperature must be -10°C or more. When the outdoor temperature is less than 7°C, the flow temperature and blow off temperature are lowered.
- When operating a Cylinder or Hydrobox unit in the **DHW mode** and operating ATA indoor units at the same time, the outdoor temperature must be 7°C or more.  
When the outdoor temperature is less than 7°C, they cannot operate at the same time.

#### 2.5.3. Switch settings

When connecting a Cylinder or Hydrobox unit to a PUMY unit, set the DIP switch SW1-2 on Cylinder or Hydrobox unit to OFF.

#### 2.5.4. Test run

Perform the test run for the Cylinder or Hydrobox unit from the indoor unit.

(For details about the test run, refer to the installation manual for the Cylinder or Hydrobox unit.)

#### 2.5.5. Refrigerant collecting (Pump down)

Perform the procedures in 7.3.

### 2.6. Connecting a cooling-only indoor unit

If a system includes one or more cooling-only indoor units, set the entire system as a cooling system.

Set the units as indicated in table 4.

Table 4 Cooling-only setting procedure

Unit		Setting
Outdoor unit	PUMY-P·V/YKM(E)4	DIP switch SW2-6 on multi-controller circuit board: ON
Branch box	PAC-MK-BC(B)	DIP switch SW4-5 on branch box controller circuit board: ON
Indoor unit	CITY MULTI Series	DIP switch SW3-1 on indoor unit controller circuit board: ON
	M, S, P Series	Setting is not necessary.

### 2.7. Connecting a PEFY-P·VMA3-E

When using a PEFY-P·VMA3-E, use the following combinations for the connected indoor units.

	PUMY-P112	PUMY-P125	PUMY-P140
OK	PEFY-P25VMA3-E × 2 + PEFY-P32VMA3-E × 2	PEFY-P32VMA3-E × 4	PEFY-P32VMA3-E × 3 + PEFY-P40VMA3-E × 1
NO	All combinations excluding the above combinations Ex. 1: PEFY-P25VMA3-E × 2 + PEFY-P32VMA3-E × 2 Ex. 2: PEFY-P25VMA3-E × 2 + PEFY-P32VMA3-E × 1 Ex. 3: PEFY-P32VMA3-E × 4 (A combination for a PUMY-P125) Ex. 4: PEFY-P25VMA3-E × 2 + PEFY-P32VMA3-E × 2 + MSZ-FH25VE × 1	All combinations excluding the above combinations Ex. 1: PEFY-P32VMA3-E × 3 + PEFY-P32VMA3-E × 1 Ex. 2: PEFY-P32VMA3-E × 3 Ex. 3: PEFY-P25VMA3-E × 2 + PEFY-P32VMA3-E × 2 (A combination for a PUMY-P112) Ex. 4: PEFY-P32VMA3-E × 3 + PLFY-P20VFM-E × 1 + SEZ-KD25VA × 1	All combinations excluding the above combinations Ex. 1: PEFY-P32VMA3-E × 3 + PEFY-P40VMA3-E × 1 Ex. 2: PEFY-P32VMA3-E × 2 + PEFY-P40VMA3-E × 1 Ex. 3: PEFY-P32VMA3-E × 4 (A combination for a PUMY-P125) Ex. 4: PEFY-P32VMA3-E × 3 + PCFY-P40VKM-E × 1 + MSZ-SF15VA × 1

Ex. 1: A ceiling-concealed unit other than a VMA3 series is selected. Combinations with a ceiling-concealed different series are not possible.  
Ex. 2: The number of units is incorrect.  
Ex. 3: The combination is for a unit with a different capacity.  
Ex. 4: The combination is not an "OK" combination.

### 2.8. Connecting a PLFY-EP·VEM-E

For the PLFY-EP·VEM-E, up to 2 units can be connected.

Other indoor units\*1 can be connected within the total rated capacity and maximum number of connected units.

\*1 Excluding the PEFY-P·VMA3-E and PEFY-P·VMH-EF.

## 2. Installation location

### 2.9. Ventilation and service space

#### 2.9.1. When installing a single outdoor unit

Minimum dimensions are as follows, except for Max., meaning Maximum dimensions, indicated.

Refer to the figures for each case.

- ① Obstacles at rear only (Fig. 2-3)
- ② Obstacles at rear and above only (Fig. 2-4)
  - \* Do not install the optional air outlet guides for upward airflow.
- ③ Obstacles at rear and sides only (Fig. 2-5)
  - \* When using an optional air outlet guide, the clearance is 500 mm or more.
- ④ Obstacles at front only (Fig. 2-6)
- ⑤ Obstacles at front and rear only (Fig. 2-7)
  - \* When using an optional air outlet guide, the clearance is 500 mm or more.
- ⑥ Obstacles at rear, sides, and above only (Fig. 2-8)
  - \* Do not install the optional air outlet guides for upward airflow.

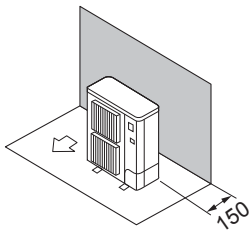


Fig. 2-3

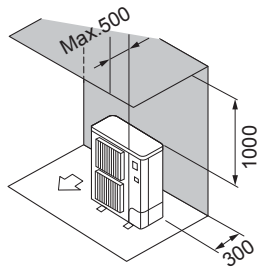


Fig. 2-4

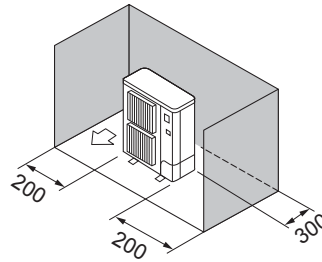


Fig. 2-5

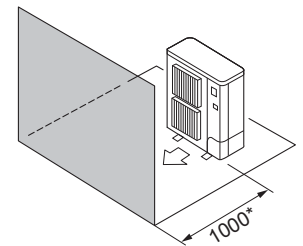


Fig. 2-6

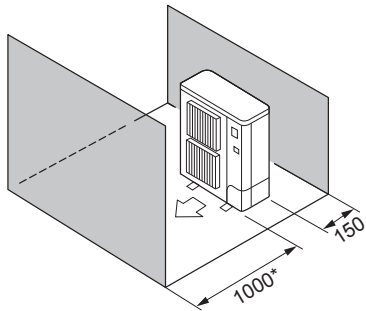


Fig. 2-7

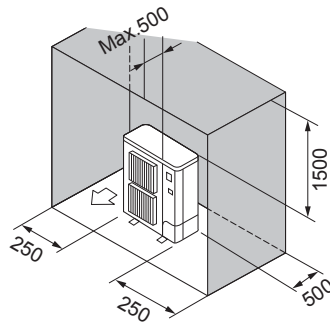


Fig. 2-8

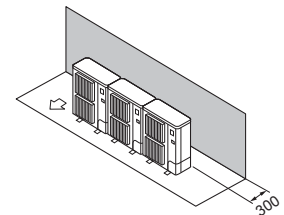


Fig. 2-9

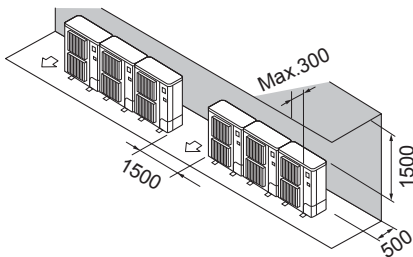


Fig. 2-10

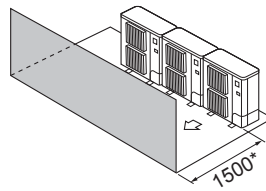


Fig. 2-11

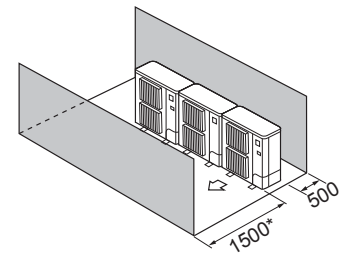


Fig. 2-12

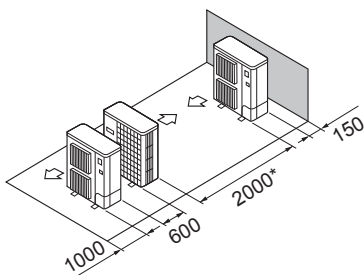


Fig. 2-13

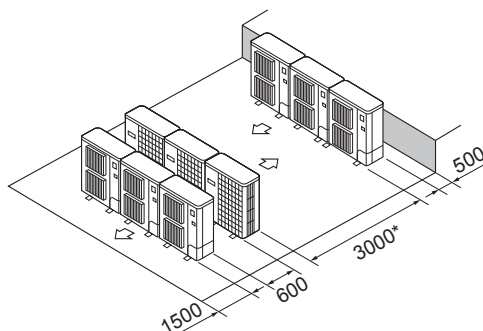


Fig. 2-14

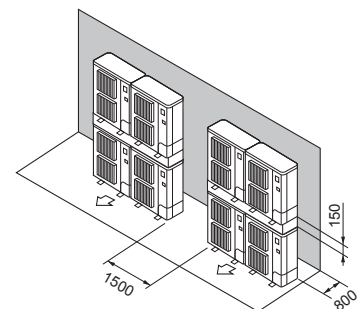


Fig. 2-15

#### 2.9.2. When installing multiple outdoor units

Leave 25 mm space or more between the units.

- ① Obstacles at rear only (Fig. 2-9)
- ② Obstacles at rear and above only (Fig. 2-10)
  - \* No more than three units must be installed side by side. In addition, leave space as shown.
  - \* Do not install the optional air outlet guides for upward airflow.
- ③ Obstacles at front only (Fig. 2-11)
  - \* When using an optional air outlet guide, the clearance is 1000 mm or more.
- ④ Obstacles at front and rear only (Fig. 2-12)
  - \* When using an optional air outlet guide, the clearance is 1000 mm or more.
- ⑤ Single parallel unit arrangement (Fig. 2-13)
  - \* When using an optional air outlet guide installed for upward airflow, the clearance is 1000 mm or more.
- ⑥ Multiple parallel unit arrangement (Fig. 2-14)
  - \* When using an optional air outlet guide installed for upward airflow, the clearance is 1500 mm or more.
- ⑦ Stacked unit arrangement (Fig. 2-15)
  - \* The units can be stacked up to two units high.
  - \* No more than two stacked units must be installed side by side. In addition, leave space as shown.

## 2. Installation location

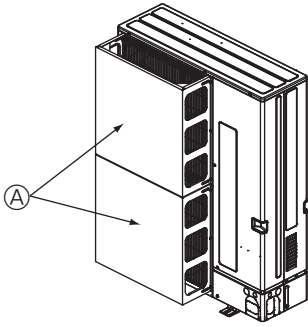


Fig. 2-16

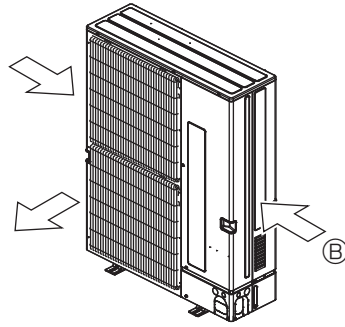


Fig. 2-17

### 2.9.3. Windy location installation

When installing the outdoor unit on a rooftop or other location unprotected from the wind, situate the air outlet of the unit so that it is not directly exposed to strong winds. Strong wind entering the air outlet may impede the normal airflow and a malfunction may result.

The following shows two examples of precautions against strong winds.

- ① Install an optional air guide if the unit is installed in a location where strong winds from a typhoon, etc. may directly enter the air outlet. (Fig. 2-16)
  - Ⓐ Air guide
- ② Position the unit so that the air outlet blows perpendicularly to the seasonal wind direction, if possible. (Fig. 2-17)
  - Ⓑ Wind direction

## 3. Installing the outdoor unit

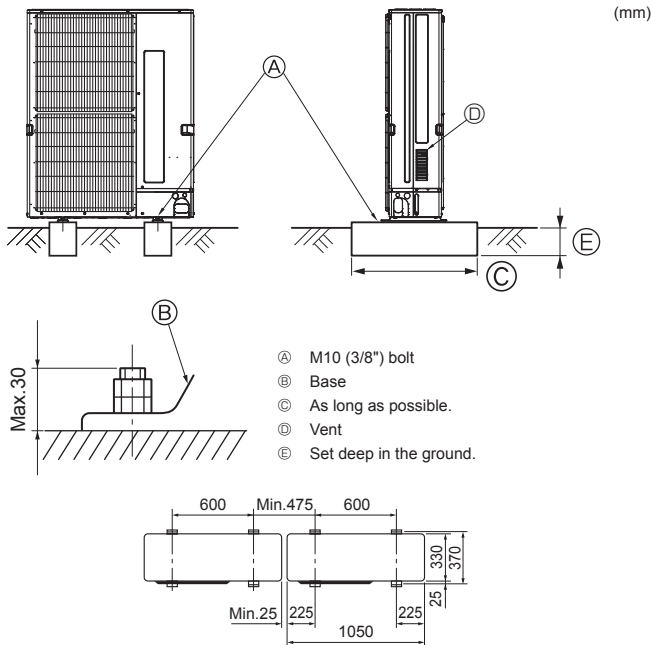


Fig. 3-1

- Be sure to install the unit in a sturdy, level surface to prevent rattling noises during operation. (Fig. 3-1)

<Foundation specifications>

Foundation bolt	M10 (3/8")
Thickness of concrete	120 mm
Length of bolt	70 mm
Weight-bearing capacity	320 kg

- Make sure that the length of the foundation bolt is within 30 mm of the bottom surface of the base.
- Secure the base of the unit firmly with four-M10 foundation bolts in sturdy locations.

### Installing the outdoor unit

- Do not block the vent. If the vent is blocked, operation will be hindered and breakdown may result.

- In addition to the unit base, use the installation holes on the back of the unit to attach wires, etc., if necessary to install the unit. Use self-tapping screws (ø5 × 15 mm or less) and install on site.

### ⚠ Warning:

- The unit must be securely installed on a structure that can sustain its weight. If the unit is mounted on an unstable structure, it may fall down and cause damage or injuries.
- The unit must be installed according to the instructions in order to minimize the risk of damage from earthquakes, typhoons, or strong winds. An incorrectly installed unit may fall down and cause damage or injuries.

### ⚠ Caution:

- Install unit on a rigid structure to prevent excessive operation sound or vibration.

## 4. Installing the refrigerant piping

### 4.1. Precautions for devices that use R410A refrigerant

- Refer to page 3 for precautions not included below on using air conditioners with R410A refrigerant.
- Use ester oil, ether oil, alkylbenzene oil (small amount) as the refrigeration oil applied to the flared sections.
- Use C1220 copper phosphorus, for copper and copper alloy seamless pipes, to connect the refrigerant pipes. Use refrigerant pipes with the thicknesses specified in the table to the below. Make sure the insides of the pipes are clean and do not contain any harmful contaminants such as sulfuric compounds, oxidants, debris, or dust.

### ⚠ Warning:

When installing or relocating, or servicing the air conditioner, use only the specified refrigerant (R410A) to charge the refrigerant lines. Do not mix it with any other refrigerant and do not allow air to remain in the lines.

If air is mixed with the refrigerant, then it can be the cause of abnormal high pressure in the refrigerant line, and may result in an explosion and other hazards. The use of any refrigerant other than that specified for the system will cause mechanical failure or system malfunction or unit breakdown. In the worst case, this could lead to a serious impediment to securing product safety.

ø6.35, ø9.52, ø12.7	Thickness 0.8 mm
ø15.88	Thickness 1.0 mm

- Do not use pipes thinner than those specified above.
- The thicknesses listed in the table above are based on Japanese standards. Use pipes with a maximum working pressure of 4.15 MPa [601 PSIG] or higher according to local standards.

## 4. Installing the refrigerant piping

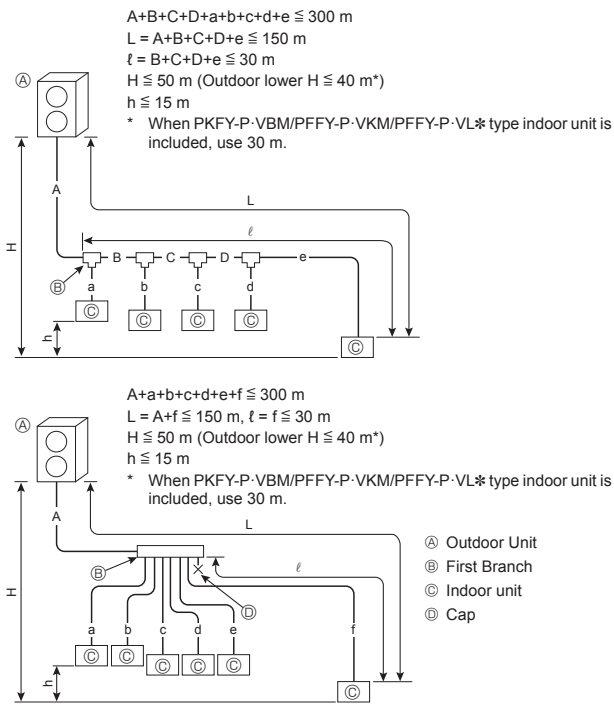


Fig. 4-1

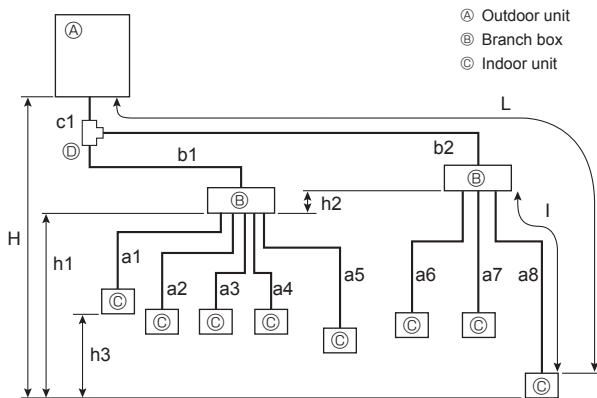


Fig. 4-2

Permissible length (one-way)	Total piping length	$c1 + b1 + b2 + a1 + a2 + a3 + a4 + a5 + a6 + a7 + a8 \leq 150$ m
	Farthest piping length (L)	$c1 + b2 + a8 \leq 80$ m
	Piping length between outdoor unit and branch boxes	$c1 + b1 + b2 \leq 55$ m
	Farthest branch box from the first joint (b2)	$b2 \leq 30$ m
	Farthest piping length after branch box (l)	$a8 \leq 25$ m
	Total piping length between branch boxes and indoor units	$a1 + a2 + a3 + a4 + a5 + a6 + a7 + a8 \leq 95$ m
Permissible height difference (one-way)	In indoor/outdoor section (H)*1	$H \leq 50$ m (In case of outdoor unit is set higher than indoor unit) $H \leq 40$ m (In case of outdoor unit is set lower than indoor unit)
	In branch box/indoor unit section (h1)	$h1 + h2 \leq 15$ m
	In each branch unit (h2)	$h2 \leq 15$ m
	In each indoor unit (h3)	$h3 \leq 12$ m
Number of bends		$ c1 + b1 + a1 ,  c1 + b1 + a2 ,  c1 + b1 + a3 ,  c1 + b1 + a4 ,  c1 + b1 + a5 ,  c1 + b2 + a6 ,  c1 + b2 + a7 ,  c1 + b2 + a8  \leq 15$

\*1 Branch box should be placed within the level between the outdoor unit and indoor units.

## 4.2. Pipe length and height difference

### 4.2.1. Connection without Branch Box (Fig. 4-1)

A	(mm)	
	(A) Liquid pipe	(B) Gas pipe
PUMY-P112-140	$\phi 9.52$	$\phi 15.88$

B, C, D	(mm)	
	(C) Total capacity of indoor units	(A) Liquid pipe
	$\phi 9.52$	$\phi 15.88$

a, b, c, d, e, f	(mm)		
	(D) Model number	(A) Liquid pipe	(B) Gas pipe
	15, 20, 25, 32, 40, 50	$\phi 6.35$	$\phi 12.7$
	63, 80, 100, 125, 140	$\phi 9.52$	$\phi 15.88$

(E) Branch kit model
CMY-Y62-G-E

(F) 4-Branching header	(G) 8-Branching header
CMY-Y64-G-E	CMY-Y68-G-E

\* When connecting the CONNECTION KIT (PAC-LV11M-J) and an M-series indoor unit, refer to the installation manual for the CONNECTION KIT when selecting the pipe size and piping length.

### 4.2.2. Connection with Branch Box (Fig. 4-2)

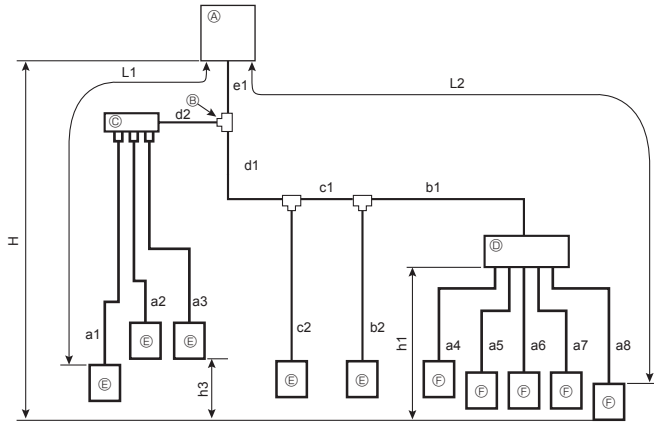
- This unit has flared connections on each indoor unit and branch box and outdoor unit sides.
- Remove the valve cover of the outdoor unit, then connect the pipe.
- Refrigerant pipes are used to connect the branch box and outdoor unit.



## 4. Installing the refrigerant piping

### 4.2.3. Mixed system (City Multi indoor units and M, S, P series indoor units via Branch box) (Fig. 4-3)

#### 1. In case of using 1-Branch boxes



- Ⓐ Outdoor Unit
- Ⓑ First joint
- Ⓒ Branch header (CMY)
- Ⓓ Branch box (PAC-MK-BC(B))
- Ⓔ CityMulti Indoor unit\*

Ⓕ M, S, P series Indoor unit, Cylinder unit or Hydrobox unit

\* PKFY-P-VBM, PFFY-P-VKM, and PFFY-P-VL\* type indoor units cannot be used in a mixed system.

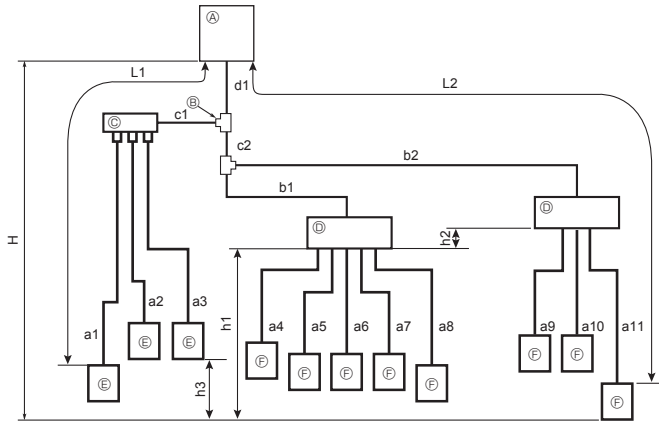
Fig. 4-3 (a)

Permissible length (One-way)	Total piping length	$e1 + d1 + d2 + c1 + c2 + b1 + b2 + a1 + a2 + a3 + a4 + a5 + a6 + a7 + a8 \leq 300 \text{ m}^*3$
	Farthest piping length (L1)	$e1 + d2 + a1 \text{ or } e1 + d1 + c1 + b2 \leq 85 \text{ m}$
	Farthest piping length. Via Branch box (L2)	$e1 + d1 + c1 + b1 + a8 \leq 80 \text{ m}$
	Piping length between outdoor unit and branch box	$e1 + d1 + c1 + b1 \leq 55 \text{ m}$
	Farthest piping length from the first joint	$d1 + c1 + b1, d1 + c1 + b2, d1 + c2 \text{ or } d2 + c1 \leq 30 \text{ m}$
	Farthest piping length after branch box	$a8 \leq 25 \text{ m}$
	Total piping length between branch boxes and indoor units	$a4 + a5 + a6 + a7 + a8 \leq 95 \text{ m}$
Permissible height difference (One-way)	In indoor/outdoor section (H) *2	$H \leq 50 \text{ m}$ (In case of outdoor unit is set higher than indoor unit) $H \leq 40 \text{ m}$ (In case of outdoor unit is set lower than indoor unit)
	In branch box/indoor unit section (h1)	$h1 \leq 15 \text{ m}$
	In each indoor unit (h3)	$h3 \leq 12 \text{ m}$
Number of bends		$ e1 + d2 + a1 ,  e1 + d2 + a2 ,  e1 + d2 + a3 ,  e1 + d1 + c2 ,  e1 + d1 + c1 + b2 ,  e1 + d1 + c1 + b1 + a4 ,  e1 + d1 + c1 + b1 + a5 ,  e1 + d1 + c1 + b1 + a6 ,  e1 + d1 + c1 + b1 + a7 ,  e1 + d1 + c1 + b1 + a8  \leq 15$

\*2: Branch box should be placed within the level between the outdoor unit and indoor units.

\*3: When a Cylinder unit or Hydrobox unit is connected, the maximum piping length is 150 m.

#### 2. In case of using 2-Branch boxes



- Ⓐ Outdoor Unit
- Ⓑ First joint
- Ⓒ Branch header (CMY)
- Ⓓ Branch box (PAC-MK-BC(B))
- Ⓔ CityMulti Indoor unit\*

Ⓕ M, S, P series Indoor unit, Cylinder unit or Hydrobox unit

\* PKFY-P-VBM, PFFY-P-VKM, and PFFY-P-VL\* type indoor units cannot be used in a mixed system.

Fig. 4-3 (b)

Permissible length (One-way)	Total piping length	$d1 + c1 + c2 + b1 + b2 + a1 + a2 + a3 + a4 + a5 + a6 + a7 + a8 + a9 + a10 + a11 \leq 240 \text{ m}^*3$
	Farthest piping length (L1)	$d1 + c1 + a1 \leq 85 \text{ m}$
	Farthest piping length. Via Branch box (L2)	$d1 + c2 + b2 + a11 \leq 80 \text{ m}$
	Piping length between outdoor unit and branch boxes	$d1 + c2 + b1 + b2 \leq 55 \text{ m}$
	Farthest piping length from the first joint	$c2 + b2 \text{ or } c1 + a1 \leq 30 \text{ m}$
	Farthest piping length after branch box	$a11 \leq 25 \text{ m}$
	Farthest branch box from outdoor unit	$d1 + c2 + b2 \leq 55 \text{ m}$
Total piping length between branch boxes and indoor units	$a4 + a5 + a6 + a7 + a8 + a9 + a10 + a11 \leq 95 \text{ m}$	
Permissible height difference (One-way)	In indoor/outdoor section (H) *2	$H \leq 50 \text{ m}$ (In case of outdoor unit is set higher than indoor unit) $H \leq 40 \text{ m}$ (In case of outdoor unit is set lower than indoor unit)
	In branch box/indoor unit section (h1+h2)	$h1 + h2 \leq 15 \text{ m}$
	In each branch unit (h1)	$h2 \leq 15 \text{ m}$
	In each indoor unit (h3)	$h3 \leq 12 \text{ m}$
Number of bends		$ d1 + c1 + a1 ,  d1 + c1 + a2 ,  d1 + c1 + a3 ,  d1 + c2 + b1 + a4 ,  d1 + c2 + b1 + a5 ,  d1 + c2 + b1 + a6 ,  d1 + c2 + b1 + a7 ,  d1 + c2 + b1 + a8 ,  d1 + c2 + b2 + a9 ,  d1 + c2 + b2 + a10 ,  d1 + c2 + b2 + a11  \leq 15$

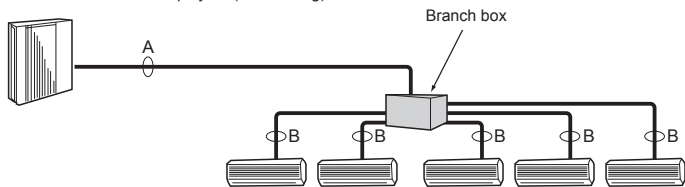
\*2: Branch box should be placed within the level between the outdoor unit and indoor units.

\*3: When a Cylinder unit or Hydrobox unit is connected, the maximum piping length is 150 m.

## 4. Installing the refrigerant piping

### ■ In case of using 1-branch box

Flare connection employed. (No. brazing)



### ■ In case of using 2-branch boxes

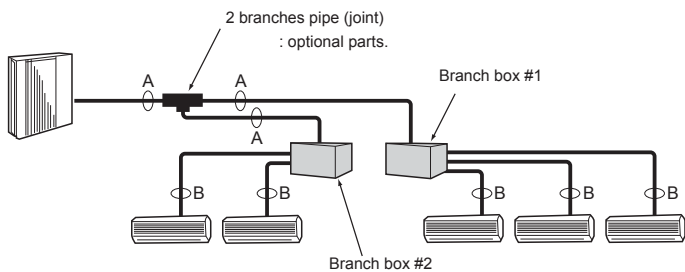


Fig. 4-4

(1) Valve size for outdoor unit

For liquid	ø9.52 mm
For gas	ø15.88 mm

(2) Valve size for branch box

UNIT	Pipe	Valve size (mm)
A UNIT	Liquid pipe	ø6.35 mm
	Gas pipe	ø9.52 mm
B UNIT	Liquid pipe	ø6.35 mm
	Gas pipe	ø9.52 mm
C UNIT	Liquid pipe	ø6.35 mm
	Gas pipe	ø9.52 mm
D UNIT	Liquid pipe	ø6.35 mm
	Gas pipe	ø9.52 mm
E UNIT	Liquid pipe	ø6.35 mm
	Gas pipe	ø12.7 mm

\* 3-branch type : only A, B, C unit

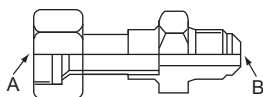


Fig. 4-5

Conversion formula

F	ø
1/4 F	ø6.35
3/8 F	ø9.52
1/2 F	ø12.7
5/8 F	ø15.88
3/4 F	ø19.05

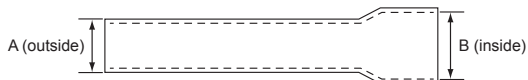


Fig. 4-6

## 4.3. Selecting pipe size

### 4.3.1. Connection without Branch Box

		Indoor unit		Outdoor unit
		15-50	63-140	112-140
Gas side	Pipe size (mm)	ø12.7	ø15.88	ø15.88
Liquid side	Pipe size (mm)	ø6.35	ø9.52	ø9.52

### 4.3.2. Connection with Branch Box (Fig. 4-4)

	A	B
Liquid (mm)	ø9.52	The piping connection size differs according to the type and capacity of indoor units. Match the piping connection size of branch box with indoor unit. If the piping connection size of branch box does not match the piping connection size of indoor unit, use optional different-diameter (deformed) joints to the branch box side. (Connect deformed joint directly to the branch box side.)
Gas (mm)	ø15.88	

### Different-diameter joint (optional parts) (Fig. 4-5)

Model name	Connected pipes diameter	Diameter A	Diameter B
	mm	mm	mm
MAC-A454JP	ø9.52 → ø12.7	ø9.52	ø12.7
MAC-A455JP	ø12.7 → ø9.52	ø12.7	ø9.52
MAC-A456JP	ø12.7 → ø15.88	ø12.7	ø15.88
PAC-493PI	ø6.35 → ø9.52	ø6.35	ø9.52
PAC-SG76RJ-E	ø9.52 → ø15.88	ø9.52	ø15.88

### Different-diameter joint (optional parts) (Fig. 4-6)

Model name	Connected pipes diameter	Outside Diameter A	Inside Diameter B
	mm	mm	mm
PAC-SG78RJB-E	ø9.52 → ø12.7	ø9.52	ø12.7
PAC-SG79RJB-E	ø12.7 → ø9.52	ø12.7	ø9.52
PAC-SG80RJB-E	ø12.7 → ø15.88	ø12.7	ø15.88
PAC-SG77RJB-E	ø6.35 → ø9.52	ø6.35	ø9.52
PAC-SG76RJB-E	ø9.52 → ø15.88	ø9.52	ø15.88

### Piping preparation

① Table below shows the specifications of pipes commercially available.

Outside diameter	Insulation thickness	Insulation material Heat resisting foam plastic 0.045 specific gravity
mm	mm	
6.35	8	
9.52	8	
12.7	8	
15.88	8	

② Ensure that the 2 refrigerant pipes are insulated to prevent condensation.

③ Refrigerant pipe bending radius must be 100 mm or more.

### ⚠ Caution:

**Be sure to use the insulation of specified thickness. Excessive thickness may cause incorrect installation of the indoor unit and branch box, and lack of thickness may cause dew drip.**

**2-branch pipe (Joint) : Optional parts (According to the connection method, you can choose the favorite one.)**

Model name	Connection method
MSDD-50AR-E	flare
MSDD-50BR-E	brazing

### ■ Installation procedure (2 branches pipe (Joint))

Refer to the installation manuals of MSDD-50AR-E and MSDD-50BR-E.

### ■ Pipe size (Outdoor unit-Branch box)

	A liquid pipe	B Gas pipe
PUMY-P112-140	ø9.52	ø15.88

### ■ Pipe size (Branch box-Indoor unit) Case of M series or S series Indoor unit \*1

Indoor unit series	Model number	A liquid pipe	B Gas pipe
M series or S series	15~42	ø6.35	ø9.52
	50	ø6.35	ø12.7
	60	ø6.35	ø15.88
	71~80	ø9.52	ø15.88
P series	35, 50 *2	ø6.35	ø12.7
	60~100	ø9.52	ø15.88
Cylinder unit		ø9.52	ø15.88
Hydrobox unit		ø9.52	ø15.88

\*1 The lineup of a connectable indoor unit depends on a district/areas/country.

\*2 When using 35, 50 type indoor unit of P series, use the flare nut attached to the indoor unit.

Do not use the flare nut in the indoor unit accessory. If it is used, a gas leakage or even a pipe extraction may occur.

## 4. Installing the refrigerant piping

### 4.3.3. Mixed system

(City Multi indoor units and M, S, P series indoor units via Branch box)  
(Fig. 4-7)

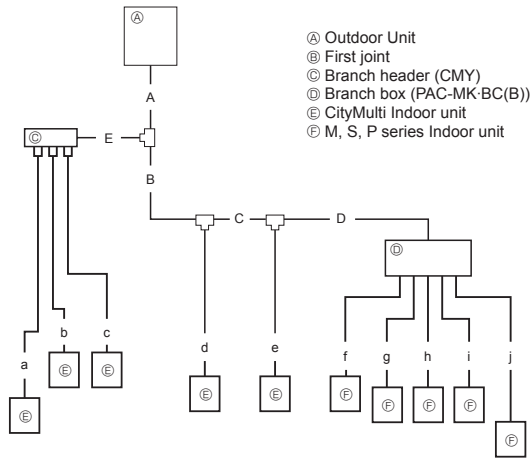


Fig. 4-7

#### Pipe size

A, B, C, D, E

	A liquid pipe	B Gas pipe
PUMY-P112-140	ø9.52	ø15.88

a, b, c~j

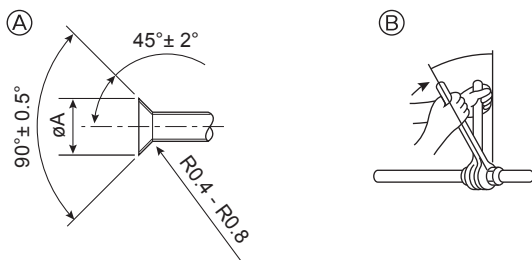
Indoor unit series	Model number	A liquid pipe	B Gas pipe
CityMulti	15~50	ø6.35	ø12.7
	63~140	ø9.52	ø15.88
M series or S series	15~42	ø6.35	ø9.52
	50	ø6.35	ø12.7
	60	ø6.35	ø15.88
	71~80	ø9.52	ø15.88
P series	35, 50 *1	ø6.35	ø12.7
	60~100	ø9.52	ø15.88
Cylinder unit Hydrobox unit	—	ø9.52	ø15.88

2-branch joint	CMY-Y62-G-E
4-branch header	CMY-Y64-G-E
8-branch header	CMY-Y68-G-E

\*1 When using 35, 50 type indoor unit of P series, use the flare nut attached to the indoor unit.

Do not use the flare nut in the indoor unit accessory. If it is used, a gas leakage or even a pipe extraction may occur.

## 4. Installing the refrigerant piping



- Ⓐ Flare cutting dimensions  
Ⓑ Flare nut tightening torque

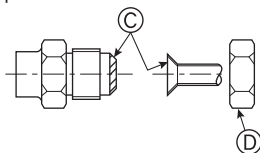


Fig. 4-8

Ⓐ (Fig. 4-8)

Copper pipe O.D. (mm)	Flare dimensions ØA dimensions (mm)
ø6.35	8.7 - 9.1
ø9.52	12.8 - 13.2
ø12.7	16.2 - 16.6
ø15.88	19.3 - 19.7

Ⓑ (Fig. 4-8)

Copper pipe O.D. (mm)	Flare nut O.D. (mm)	Tightening torque (N·m)
ø6.35	17	14 - 18
ø6.35	22	34 - 42
ø9.52	22	34 - 42
ø12.7	26	49 - 61
ø12.7	29	68 - 82
ø15.88	29	68 - 82
ø15.88	36	100 - 120

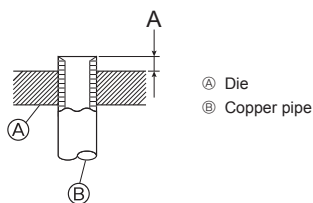
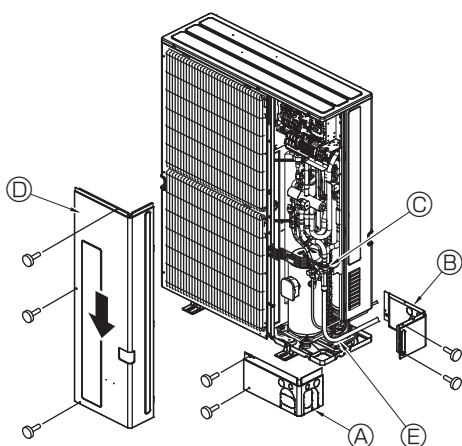


Fig. 4-9



- Ⓐ Front piping cover  
Ⓑ Piping cover  
Ⓒ Stop valve  
Ⓓ Service panel  
Ⓔ Bend radius : 100 mm - 150 mm

Fig. 4-10

### 4.4. Connecting pipes (Fig. 4-8)

- Conduct sufficient anti-condensation and insulation work to prevent water dripping from the refrigerant piping. (liquid pipe/gas pipe)
- Increase insulation depending on the environment where the refrigerant piping is installed, or condensation may occur on the surface of the insulation material. (Insulation material Heat-resistant temperature: 120 °C, Thickness: 15 mm or more)
  - \* When the refrigerant piping is used in locations subject to high temperature and humidity such as in the attic, further addition of insulation may be required.
- To insulate the refrigerant piping, apply heat-resistant polyethylene foam between the indoor unit and insulation material as well as to the net between the insulation material filling all gaps. (Condensation forming on the piping may result in condensation in the room or burns when contacting the piping.)
- The indoor parts of the drain pipe should be wrapped with polyethylene foam insulation materials (specific gravity of 0.03, thickness of 9 mm or more).
- Apply thin layer of refrigerant oil to pipe and joint seating surface before tightening flare nut. Ⓐ
- Use two wrenches to tighten piping connections. Ⓑ
- Use leak detector or soapy water to check for gas leaks after connections are completed.
- Apply refrigerating machine oil over the entire flare seat surface. Ⓒ
- Use the flare nuts for the following pipe size. Ⓓ
- When bending the pipes, be careful not to break them. Bend radius of 100 mm to 150 mm is sufficient.
- Make sure the pipes do not contact the compressor. Abnormal noise or vibration may result.

- ① Pipes must be connected starting from the indoor unit. Flare nuts must be tightened with a torque wrench.
- ② Flare the liquid pipes and gas pipes and apply a thin layer of refrigeration oil (Applied on site).
- When usual pipe sealing is used, refer to Table 3 for flaring of R410A refrigerant pipes. The size adjustment gauge can be used to confirm A measurements.

#### ⚠ Warning:

**When installing the unit, securely connect the refrigerant pipes before starting the compressor.**

\* To connect the CONNECTION KIT (PAC-LV11M-J), refer to the installation manual for the CONNECTION KIT.

Table 3 (Fig. 4-9)

Copper pipe O.D. (mm)	A (mm)	
	Flare tool for R410A	Flare tool for R22-R407C
	Clutch type	
ø6.35	0 - 0.5	1.0 - 1.5
ø9.52	0 - 0.5	1.0 - 1.5
ø12.7	0 - 0.5	1.0 - 1.5
ø15.88	0 - 0.5	1.0 - 1.5
ø19.05	0 - 0.5	1.0 - 1.5

### 4.5. Refrigerant piping (Fig. 4-10)

Remove the service panel Ⓓ (three screws) and the front piping cover Ⓐ (two screws) and rear piping cover Ⓑ (two screws).

- ① Perform refrigerant piping connections for the indoor/outdoor unit when the outdoor unit's stop valve is completely closed.
- ② Vacuum-purge air from the indoor unit and the connection piping.
- ③ After connecting the refrigerant pipes, check the connected pipes and the indoor unit for gas leaks. (Refer to 4.6. Refrigerant pipe airtight testing method)
- ④ Vacuumize the refrigerant lines through the service port of the liquid and gas stop valves. And then open the stop valves completely (for both the liquid and gas stop valves). This will completely connect the refrigerant lines of the indoor and outdoor units.
  - If the stop valves are left closed and the unit is operated, the compressor and control valves will be damaged.
  - Use a leak detector or soapy water to check for gas leaks at the pipe connection sections of the outdoor unit.
  - Do not use the refrigerant from the unit to purge air from the refrigerant lines.
  - After the valve work is completed, tighten the valve caps to the correct torque: 20 to 25 N·m (200 to 250 kgf·cm). Failure to replace and tighten the caps may result in refrigerant leakage. In addition, do not damage the insides of the valve caps as they act as a seal to prevent refrigerant leakage.
- ⑤ Use sealant to seal the ends of the thermal insulation around the pipe connection sections to prevent water from entering the thermal insulation.

## 4. Installing the refrigerant piping

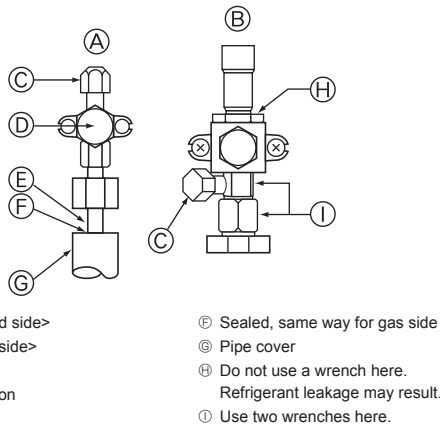


Fig. 4-11

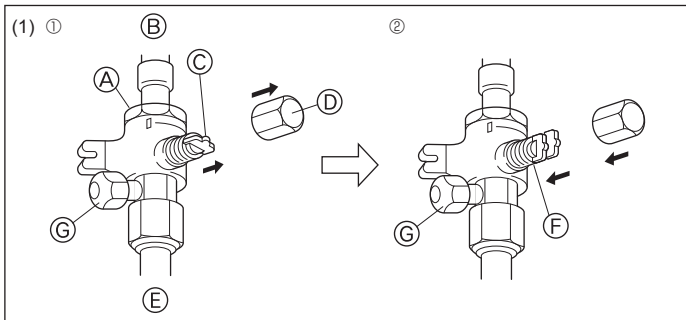


Fig. 4-12

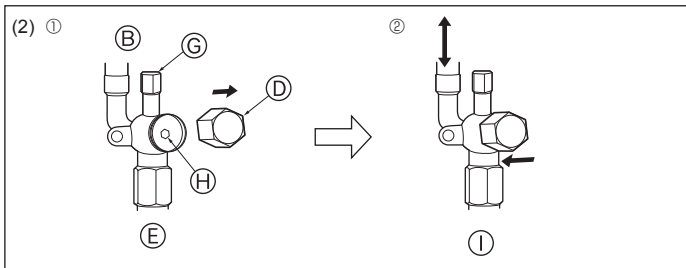


Fig. 4-13

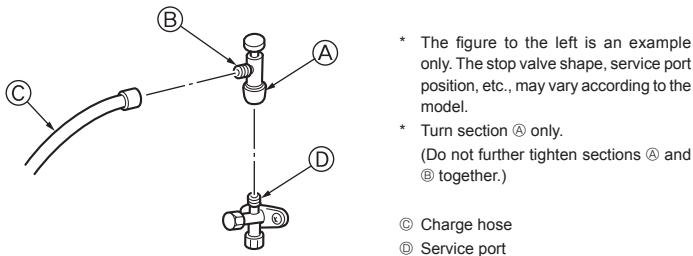


Fig. 4-14

### 4.6. Refrigerant pipe airtight testing method

(1) Connect the testing tools.

- Make sure the stop valves A B are closed and do not open them.
- Add pressure to the refrigerant lines through the service port C of the liquid stop valve A and the gas stop valve B.

(2) Do not add pressure to the specified pressure all at once; add pressure little by little.

- ① Pressurize to 0.5 MPa (5 kgf/cm<sup>2</sup>G), wait five minutes, and make sure the pressure does not decrease.
- ② Pressurize to 1.5 MPa (15 kgf/cm<sup>2</sup>G), wait five minutes, and make sure the pressure does not decrease.
- ③ Pressurize to 4.15 MPa (41.5 kgf/cm<sup>2</sup>G) and measure the surrounding temperature and refrigerant pressure.

(3) If the specified pressure holds for about one day and does not decrease, the pipes have passed the test and there are no leaks.

- If the surrounding temperature changes by 1°C, the pressure will change by about 0.01 MPa (0.1 kgf/cm<sup>2</sup>G). Make the necessary corrections.

(4) If the pressure decreases in steps (2) or (3), there is a gas leak. Look for the source of the gas leak.

### 4.7. Stop valve opening method

(1) Gas side (Fig. 4-12)

- ① Remove the cap, pull the handle toward you and rotate 1/4 turn in a counterclockwise direction to open.
- ② Make sure that the stop valve is open completely, push in the handle and rotate the cap back to its original position.

(2) Liquid side (Fig. 4-13)

- ① Remove the cap and turn the valve rod counterclockwise as far as it will go with the use of a 4 mm hexagonal wrench. Stop turning when it hits the stopper. (ø6.35: Approximately 4.5 revolutions) (ø9.52: Approximately 10 revolutions)
- ② Make sure that the stop valve is open completely, push in the handle and rotate the cap back to its original position.

- A Valve
- B Unit side
- C Handle
- D Cap
- E Local pipe side
- F Open position side
- G Service port
- H Wrench hole
- I Refrigerant flow direction

Refrigerant pipes are protectively wrapped

- The pipes can be protectively wrapped up to a diameter of ø90 before or after connecting the pipes. Cut out the knockout in the pipe cover following the groove and wrap the pipes.

Pipe inlet gap

- Use putty or sealant to seal the pipe inlet around the pipes so that no gaps remain. (If the gaps are not closed, noise may be emitted or water and dust will enter the unit and breakdown may result.)

### Precautions when using the charge valve (Fig. 4-14)

Do not tighten the service port too much when installing it, otherwise, the valve core could be deformed and become loose, causing a gas leak.

After positioning section B in the desired direction, turn section A only and tighten it. Do not further tighten sections A and B together after tightening section A.

## 4. Installing the refrigerant piping

### 4.8. Additional refrigerant charge

#### Additional refrigerant charge

Refrigerant for the extended piping is not included in the outdoor unit when the unit is shipped from the factory. Therefore, charge each refrigerant piping system with additional refrigerant at the installation site. In addition, in order to carry out service, enter the size and length of each liquid pipe and additional refrigerant charge amounts in the spaces provided on the "Refrigerant amount" plate on the outdoor unit.

#### Calculation of additional refrigerant charge

- Calculate the additional charge using the liquid pipe size and length of the extended piping and total capacity of connected indoor units.
- In the calculation, use 11.2 kW for the capacity of the Cylinder or Hydrobox unit.
- Calculate the additional refrigerant charge using the procedure shown to the right, and charge with the additional refrigerant.
- For amounts less than 0.1 kg, round up the calculated additional refrigerant charge.  
(For example, if the calculated charge is 6.01 kg, round up the charge to 6.1 kg.)

<Additional Charge>

#### Calculation of refrigerant charge

Pipe size Liquid pipe ø6.35 (m) × 19.0 (g/m)	+	Pipe size Liquid pipe ø9.52 (m) × 50.0 (g/m)	+	Total capacity of connected indoor units ~ 8.0 kW 8.1 ~ 16.0 kW 16.1 kW ~	Amount for the indoor units 1.5 kg 2.5 kg 3.0 kg
---	---	---	---	---	--

#### Included refrigerant amount when shipped from the factory

Included refrigerant amount
4.8 kg

<Example>

Outdoor model : P125	A : ø9.52 30 m	} At the conditions below:
Indoor 1 : P63 (7.1 kW)	a : ø9.52 15 m	
2 : P40 (4.5 kW)	b : ø6.35 10 m	
3 : P25 (2.8 kW)	c : ø6.35 10 m	
4 : P20 (2.2 kW)	d : ø6.35 20 m	

The total length of each liquid line is as follows:

$$\text{ø9.52 : } A + a = 30 + 15 = 45 \text{ m}$$

$$\text{ø6.35 : } b + c + d = 10 + 10 + 20 = 40 \text{ m}$$

The total capacity of connected indoor unit is as follows:

$$7.1 + 4.5 + 2.8 + 2.2 = 16.6$$

<Calculation example>

Additional refrigerant charge

$$40 \times \frac{19.0}{1000} + 45 \times \frac{50.0}{1000} + 3.0 = 6.1 \text{ kg (rounded up)}$$

## 5. Drainage piping work

#### Outdoor unit drainage pipe connection

When drain piping is necessary, use the drain socket or the drain pan (option).

	P112-140
Drain socket	PAC-SG61DS-E
Drain pan	PAC-SH97DP-E

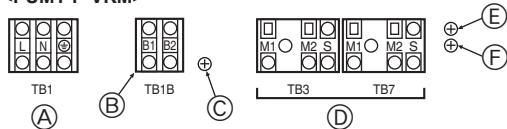
## 6. Electrical work

### 6.1. Caution

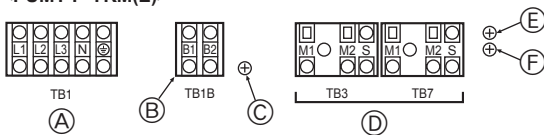
- Follow ordinance of your governmental organization for technical standard related to electrical equipment, wiring regulations and guidance of each electric power company.
- Wiring for control (hereinafter referred to as transmission line) shall be (5 cm or more) apart from power source wiring so that it is not influenced by electric noise from power source wiring. (Do not insert transmission line and power source wire in the same conduit.)
- Be sure to provide designated grounding work to outdoor unit.
- Give some allowance to wiring for electrical part box of indoor and outdoor units, because the box is sometimes removed at the time of service work.
- Never connect the main power source to terminal block of transmission line. If connected, electrical parts will be burnt out.
- Use 2-core shield cable for transmission line. If transmission lines of different systems are wired with the same multiplecore cable, the resultant poor transmitting and receiving will cause erroneous operations.
- Only the transmission line specified should be connected to the terminal block for outdoor unit transmission.  
(Transmission line to be connected with indoor unit : Terminal block TB3 for transmission line, Other : Terminal block TB7 for centralized control)  
Erroneous connection does not allow the system to operate.
- In case to connect with the upper class controller or to conduct group operation in different refrigerant systems, the control line for transmission is required between the outdoor units each other.  
Connect this control line between the terminal blocks for centralized control. (2-wire line with no polarity)  
When conducting group operation in different refrigerant systems without connecting to the upper class controller, replace the insertion of the short circuit connector from CN41 of one outdoor unit to CN40.
- Group is set by operating the remote controller.
- When connecting the CONNECTION KIT (PAC-LV11M-J) and an M-series indoor unit, refer to the installation manual for the CONNECTION KIT.
- When connecting a branch box, be sure to turn on the indoor units and the branch box before turning on the outdoor unit.

## 6. Electrical work

### <PUMY-P-VKM>



### <PUMY-P-YKM(E)>



- Ⓐ Power source
- Ⓑ Power supply for branch box
- Ⓒ Screw on the electrical component box
- Ⓓ Transmission line
- Ⓔ Ground for the terminal block (TB3)
- Ⓕ Screw on the electrical component box

Fig. 6-1

## 6.2. Control box and connecting position of wiring (Fig. 6-1)

- Connect the indoor unit transmission line to transmission terminal block (TB3), or connect the wiring between outdoor units or the wiring with the centralized control system to the centralized control terminal block (TB7).  
When using shielded wiring, connect shield ground of the indoor unit transmission line to the screw (Ⓔ) and connect shield ground of the line between outdoor units and the centralized control system transmission line to the shield (S) terminal of the centralized control terminal block (TB7). In addition, in the case of outdoor units whose power supply connector CN41 has been replaced by CN40, the shield terminal (S) of terminal block (TB7) of the centralized control system should also be connected to the screw (Ⓔ) using attached lead wire.
- The terminal bed (TB1B) is for supplying power to the branch box (220 – 240 VAC, max 6 A).
- Fix power source wiring to terminal box by using buffer bushing for tensile force (PG connection or the like).

### ⚠ Caution:

**Never connect the transmission line for the indoor unit or the centralized control system transmission line to this terminal bed (TB1B). If the transmission lines are connected, the indoor unit terminal block or centralized control terminal block could be damaged.**

## 6.3. Wiring transmission cables

### ① Types of control cables

- Wiring transmission cables
  - Types of transmission cables: Shielding wire CVVS, CPEVS or MVVS
  - Cable diameter: More than 1.25 mm<sup>2</sup>
  - Maximum wiring length: Within 200 m

### 2. M-NET Remote control cables

Kind of remote control cable	Shielding wire CVVS, CPEVS or MVVS
Cable diameter	0.5 to 1.25 mm <sup>2</sup>
Remarks	When 10 m is exceeded, use cable with the same specifications as transmission line wiring cables.

### 3. MA Remote control cables

Kind of remote control cable	Sheathed 2-core cable (unshielded) CVV
Cable diameter	0.3 to 1.25 mm <sup>2</sup> (0.75 to 1.25 mm <sup>2</sup> )*
Remarks	Within 200 m

\* Connected with simple remote controller.

### ② Wiring examples

- Controller name, symbol and allowable number of controllers.

Name	Symbol	Allowable number of controllers	
Outdoor unit controller	OC	-	
Indoor unit controller	M-IC	PUMY-P112	1 to 9 units per 1 OC *1
		PUMY-P125	1 to 10 units per 1 OC *1
		PUMY-P140	1 to 12 units per 1 OC *1
	A-IC	PUMY-P112	2 to 8 units per 1 OC *1
PUMY-P125			
PUMY-P140			
Branch box	-	-	0 to 2 units per 1 OC
Remote controller	RC	M-NET RC *2	Maximum of 12 controllers for 1 OC (Can not be connected if Branch box is used.)
		MA-RC	Maximum of 2 per group

### Note:

- \*1. The number of connectable units may be limited by some conditions such as an indoor unit's capacity or each unit's equivalent power consumption.
- \*2. Don't use the Lossnay controller (PZ-61DR-E, PZ-43SMF-E, PZ-52SF-E, PZ-60DR-E).

## Example of a group operation system with multiple outdoor units (Shielding wires and address setting are necessary.)

<Examples of Transmission Cable Wiring: When Not Using a Branch Box>

### ■ Refer to Fig. 6-6 from Fig. 6-2.

<Wiring Method and Address Settings: without Branch box system>

- Always use shielded wire when making connections between the outdoor unit (OC) and the indoor unit (M-IC).
- Use feed wiring to connect terminals M1 and M2 and the ground terminal on the transmission cable terminal block (TB3) of each outdoor unit (OC) to terminals M1, M2 and terminal S on the transmission cable terminal block of the indoor unit (M-IC).
- Connect terminals 1 (M1) and 2 (M2) on the transmission cable terminal block of the indoor unit (M-IC) that has the most recent address within the same group to the terminal block on the remote controller (M-NET RC).
- Connect together terminals M1, M2 and terminal S on the terminal block for centralized control (TB7) for the outdoor unit (OC).
- The jumper connector CN41 on the control panel does not change.
- Connect shield ground of the indoor units transmission line to the shield (S) terminal of (TB3) and also connect (S) terminal to the screw (Ⓔ or Ⓕ) using attached lead wire.  
Connect shield ground of the line between outdoor units and the centralized control system transmission line to the shield (S) terminal of (TB7).
- Set the address setting switch as follows.

Unit	Range	Setting Method
M-IC (Main)	01 to 50	Use the most recent address within the same group of indoor units
M-IC (Sub)	01 to 50	Use an address, other than that of the IC (Main) from among the units within the same group of indoor units. This must be in sequence with the IC (Main)
Outdoor Unit	51 to 100	Use the most recent address of all the indoor units plus 50 * The address automatically becomes "100" if it is set as "01 - 50".
M-NET R/C (Main)	101 to 150	Set at an IC (Main) address within the same group plus 100
M-NET R/C (Sub)	151 to 200	Set at an IC (Main) address within the same group plus 150
MA R/C	-	Unnecessary address setting (Necessary main/sub setting)

- The group setting operations among the multiple indoor units is done by the remote controller (M-NET RC) after the electrical power has been turned on.

### i. When connecting a PWFY unit

- Do not perform the group settings for the PWFY unit and the indoor units.
- The PWFY unit and a Lossnay unit cannot be set to operate at the same time.
- Use a WMA remote controller for the PWFY unit.

For details, refer to the installation manual for the PWFY unit.

### j. When connecting a Cylinder or Hydrobox unit

- Do not perform the group settings for the Cylinder or Hydrobox unit and the other indoor units.

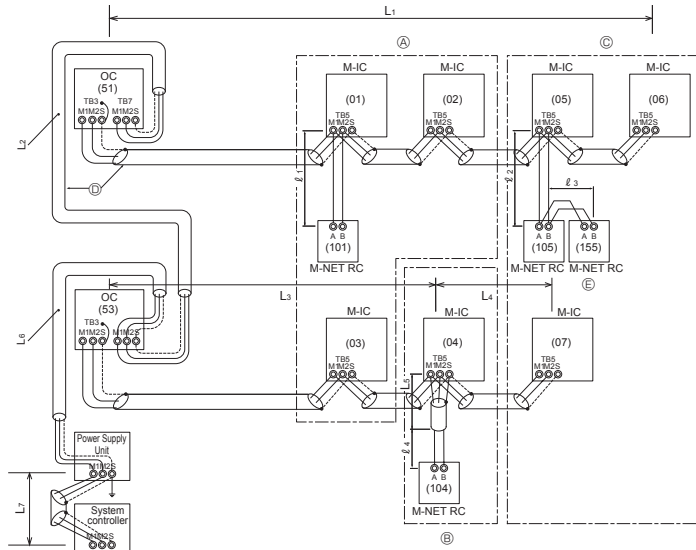
<Wiring Method and Address Setting: include Branch box system>

Please refer to the Branch box Installation Manual.

## 6. Electrical work

<Example of Transmission Cable Wiring: Not using Branch box>

■ M-NET Remote Controller



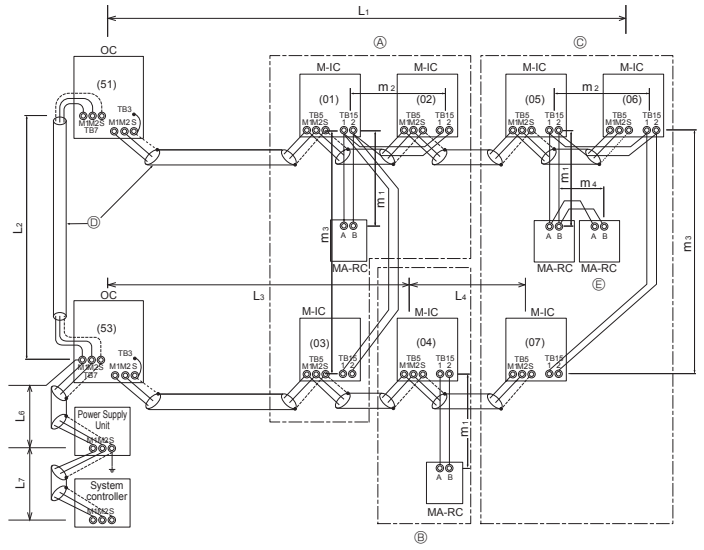
- Ⓐ : Group 1
- Ⓑ : Group 2
- Ⓒ : Group 3
- Ⓔ : Shielded Wire
- Ⓕ : Sub Remote Controller
- ( ) : Address

<Permissible Lengths>

- Max length via outdoor units:  $L_1 + L_2 + L_3 + L_4$  and  $L_1 + L_2 + L_3 + L_5$  and  $L_1 + L_2 + L_5 + L_7 \leq 500$  m (1.25 mm<sup>2</sup> or more)
  - Max transmission cable length:  $L_1$  and  $L_3 + L_4$  and  $L_3 + L_5$  and  $L_2 + L_5$  and  $L_7 \leq 200$  m (1.25 mm<sup>2</sup> or more)
  - Remote controller cable length:  $l_1, l_2, l_2 + l_3, l_4 \leq 10$  m (0.5 to 1.25 mm<sup>2</sup>)
- If the length exceeds 10 m, use a 1.25 mm<sup>2</sup> shielded wire. The length of this section ( $L_8$ ) should be included in the calculation of the maximum length and overall length.

Fig. 6-2

■ MA Remote Controller

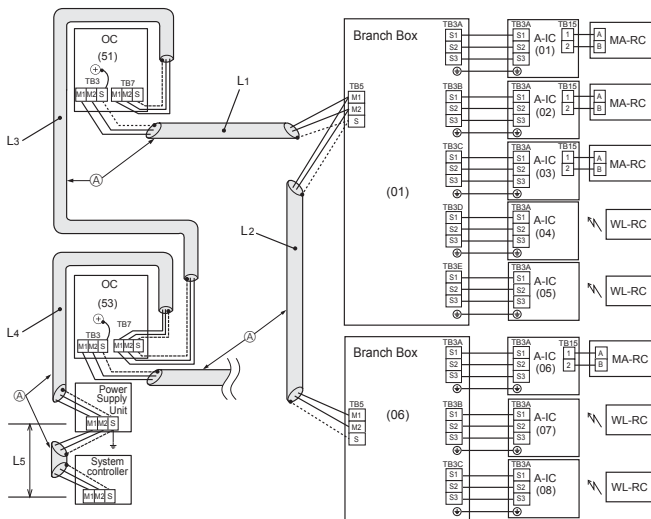


<Permissible Lengths>

- Max length via outdoor unit (M-NET cable):  $L_1 + L_2 + L_3 + L_4$  and  $L_1 + L_2 + L_6 + L_7 \leq 500$  m (1.25 mm<sup>2</sup> or more)
- Max transmission cable length (M-NET cable):  $L_1$  and  $L_3 + L_4$  and  $L_2 + L_6$  and  $L_7 \leq 200$  m (1.25 mm<sup>2</sup> or more)
- Remote controller cable length:  $m_1$  and  $m_1 + m_2 + m_3$  and  $m_1 + m_2 + m_3 + m_4 \leq 200$  m (0.3 to 1.25 mm<sup>2</sup>)

Fig. 6-3

<Example of Transmission Cable Wiring: Connecting with Branch box>



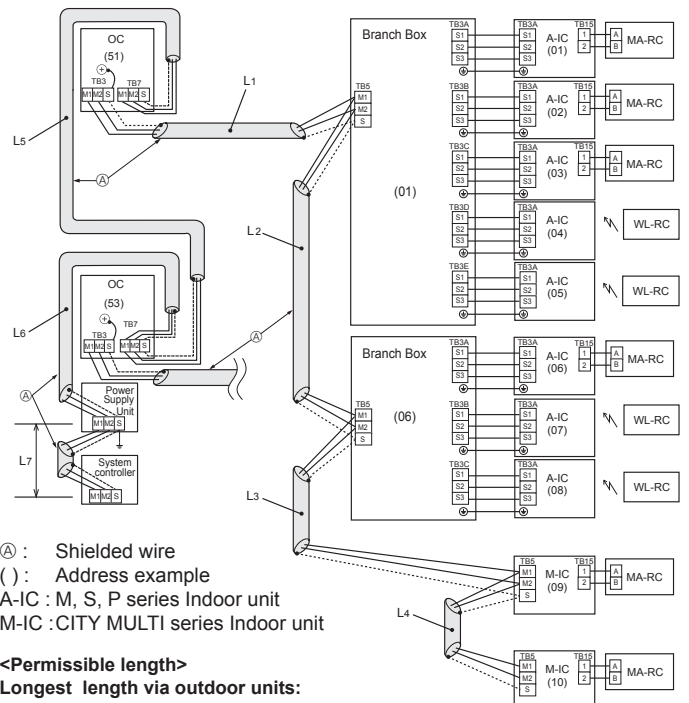
- Ⓐ : Shielded wire
- ( ) : Address example
- A-IC : M, S, P series Indoor unit

<Permissible Lengths>

- Max length via outdoor units (M-NET cable):  $L_1 + L_2 + L_3 + L_4 + L_5 \leq 500$  m (1.25 mm<sup>2</sup> or more)
- Max transmission cable length (M-NET cable):  $L_1 + L_2, L_3 + L_4, L_5 \leq 200$  m (1.25 mm<sup>2</sup> or more)

Fig. 6-4

<Example of Transmission Cable Wiring: Mixing system>



- Ⓐ : Shielded wire
- ( ) : Address example
- A-IC : M, S, P series Indoor unit
- M-IC : CITY MULTI series Indoor unit

<Permissible length>

- Longest length via outdoor units:  $L_1 + L_2 + L_3 + L_4 + L_5 + L_6 + L_7 \leq 500$  m (1640 ft.) (1.25 mm<sup>2</sup> or more)
- Longest transmission cable length:  $L_1 + L_2 + L_3 + L_4, L_5 + L_6, L_7 \leq 200$  m (656 ft.) (1.25 mm<sup>2</sup> or more)

Fig. 6-5

Note:

The Cylinder or Hydrobox unit cannot be grouped with a unit other than a Cylinder or Hydrobox unit.

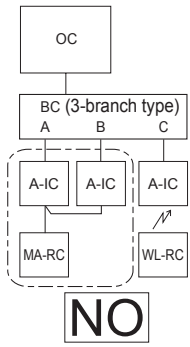
In addition, when the Cylinder or Hydrobox unit is connected, multiple outdoor units cannot be operated together.



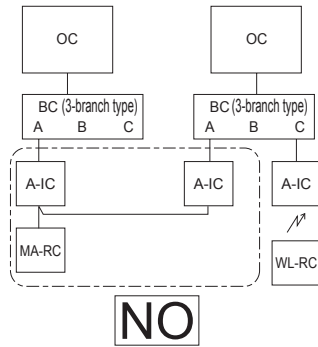
## 6. Electrical work

<Incorrect Systems>

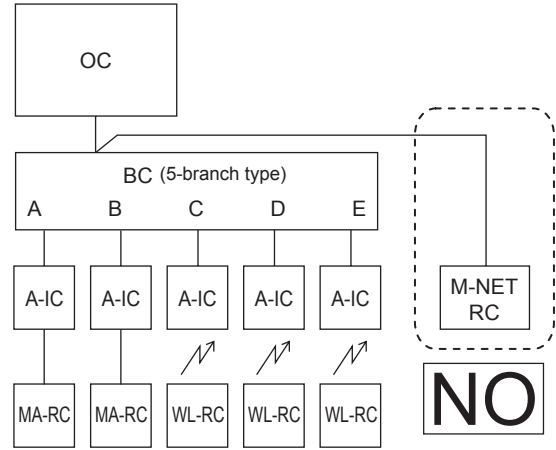
1. Group operation by single remote controller



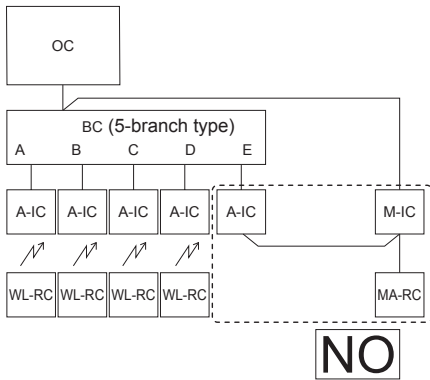
2. Group operation between different refrigerant systems



3. Connection of M-NET Remote controller



4. Group operation between A-control system and M-NET control system.



1. Plural indoor units cannot be operated by a single remote controller.
2. Different refrigerant systems cannot be connected together.
3. M-NET remote controller cannot be connected.
4. Different types control systems (A-IC/M-IC) cannot be connected together.

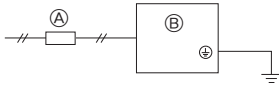
## 6. Electrical work

### 6.4. Wiring of main power supply and equipment capacity

#### Schematic Drawing of Wiring: When Not Using a Branch Box (Example) (Fig. 6-6)

##### ■ PUMY-P-VKM4

~N 220-230-240 V 50 Hz  
~N 220-230 V 60 Hz



##### ■ PUMY-P-YKM(E)4

• YKM4  
3N~380-400-415 V 50 Hz  
3N~380 V 60 Hz  
• YKME4  
3N~380-400-415 V 50 Hz

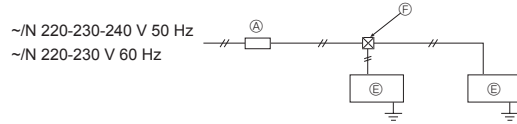
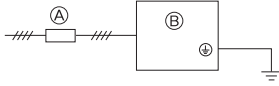


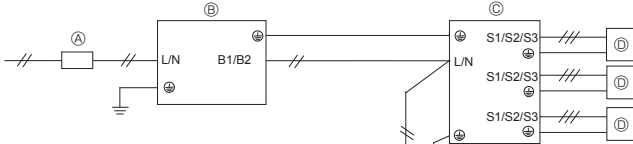
Fig. 6-6

#### Schematic Drawing of Wiring: When using a Branch Box (Example) (Fig. 6-7)

<When Power Is Supplied from the Outdoor Unit>

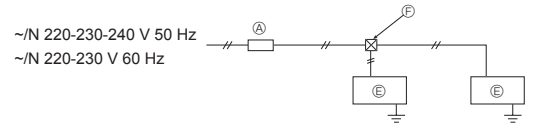
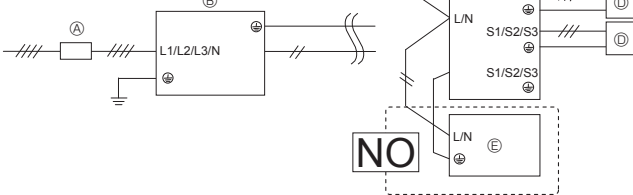
##### ■ PUMY-P-VKM4

~N 220-230-240 V 50 Hz  
~N 220-230 V 60 Hz



##### ■ PUMY-P-YKM(E)4

• YKM4  
3N~380-400-415 V 50 Hz  
3N~380 V 60 Hz  
• YKME4  
3N~380-400-415 V 50 Hz



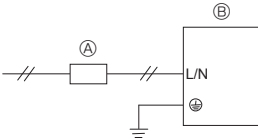
- Ⓐ Switch  
(Breakers for Wiring and Current Leakage)
- Ⓑ Outdoor Unit
- Ⓒ Branch Box
- Ⓓ A-Control Indoor Unit  
(M, S, P series indoor unit)
- Ⓔ M-NET Control Indoor Unit  
(City Multi indoor unit)
- Ⓕ Pull Box

\* The M-NET Control Indoor unit cannot receive power supplied from an outdoor unit, so provide it with power separately.

<When Power Is Supplied Separately>

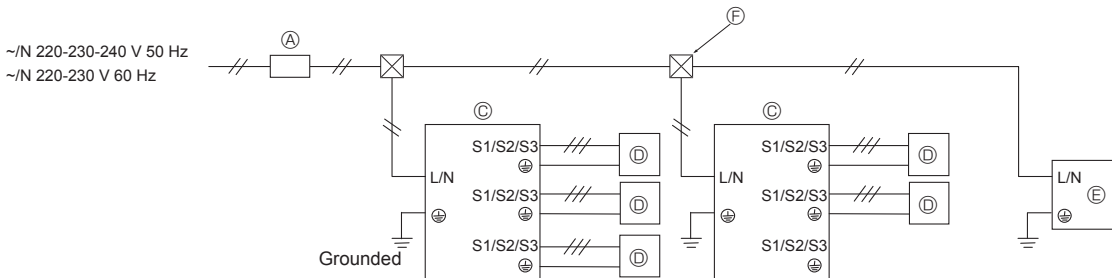
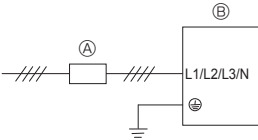
##### ■ PUMY-P-VKM4

~N 220-230-240 V 50 Hz  
~N 220-230 V 60 Hz



##### ■ PUMY-P-YKM(E)4

• YKM4  
3N~380-400-415 V 50 Hz  
3N~380 V 60 Hz  
• YKME4  
3N~380-400-415 V 50 Hz



#### Note: Reactor BOX (Optional parts)

When the product is used for a purpose other than as professional equipment, the Reactor BOX may be necessary.

Outdoor unit	Branch box power supply method	
	Power supply from outdoor unit	Separate power supply
1-phase power supply	Unnecessary	Necessary
3-phase power supply	Necessary	Necessary

Fig. 6-7

## 6. Electrical work

### Cross-sectional area of Wire for Main Power Supply and On/Off Capacities

<When power is supplied separately>

Model	Power Supply	Minimum Wire Cross-sectional area (mm <sup>2</sup> )			Breaker for Wiring *1	Breaker for Current Leakage	
		Main Cable	Branch	Ground			
Outdoor Unit	P112-140VKM4	~N 220-230-240 V 50 Hz ~N 220-230 V 60 Hz	6	–	6	32 A	32 A 30 mA 0.1 sec. or less
	P112-140YKM4	3N~380-400-415 V 50 Hz 3N~380 V 60 Hz	1.5	–	1.5	16 A	16 A 30 mA 0.1 sec. or less
	P112-140YKME4	3N~380-400-415 V 50 Hz					

<When power is supplied from the outdoor unit>

Model	Power Supply	Minimum Wire Cross-sectional area (mm <sup>2</sup> )			Breaker for Wiring *1	Breaker for Current Leakage	
		Main Cable	Branch	Ground			
Outdoor Unit	P112-140VKM4	~N 220-230-240 V 50 Hz ~N 220-230 V 60 Hz	6	–	6	40 A	40 A 30 mA 0.1 sec. or less
	P112-140YKM4	3N~380-400-415 V 50 Hz 3N~380 V 60 Hz	2.5	–	2.5	20 A	20 A 30 mA 0.1 sec. or less
	P112-140YKME4	3N~380-400-415 V 50 Hz					

\*1 A breaker with at least 3.0 mm contact separation in each poles shall be provided. Use non-fuse breaker (NF) or earth leakage breaker (NV).

<Indoor units>

Total operating current of the indoor unit	Minimum wire thickness (mm <sup>2</sup> )			Ground-fault interrupter *1	Local switch (A)		Breaker for wiring (NFB)
	Main Cable	Branch	Ground		Capacity	Fuse	
F0 = 16 A or less *2	1.5	1.5	1.5	20 A current sensitivity *3	16	16	20
F0 = 25 A or less *2	2.5	2.5	2.5	30 A current sensitivity *3	25	25	30
F0 = 32 A or less *2	4.0	4.0	4.0	40 A current sensitivity *3	32	32	40

Apply to IEC61000-3-3 about max. permissive system impedance.

\*1 The Ground-fault interrupter should support inverter circuit.

The Ground-fault interrupter should combine using of local switch or wiring breaker.

\*2 Please take the larger of F1 or F2 as the value for F0.

F1 = Total operating maximum current of the indoor units × 1.2

F2 = {V1 × (Quantity of Type 1)/C} + {V1 × (Quantity of Type 2)/C} + {V1 × (Quantity of Type 3)/C} + ... + {V1 × (Quantity of Type 14)/C}

Connect to Branch box (PAC-MK-BC(B))

Indoor unit		V1	V2	
Type 1	PEAD-RP-JA(L)Q, PEAD-M-JA(L), PEY-(S)P-JA	26.9	2.4	
Type 2	SEZ-KD-VAQ(L), SEZ-M-DA(L), PCA-RP-KAQ, PCA-M-KA, PLA-ZRP-BA, PLA-RP-EA, SLZ-KF-VA2, SLZ-M-FA, PLY-(S)P-BA, SEZ-KH-VALT, PCY-(S)P-KA	19.8		
Type 3	MLZ-KA-VA, SLZ-KA-VAQ(L)3	9.9		
Type 4	MFZ-KJ-VE2, MSXY-FJ-VE, MSZ-LN-VG, MSZ-AP-VG, MLZ-KP-VF	7.4		
Type 5	MSZ-FH-VE, MSZ-SF-VE, MSZ-EF-VE, MSZ-SF-VA, MSZ-GF-VE, MSZ-GE-VA, MSZ-EF-VA, MSY-GE-VA, MSY-EF-VA, MSZ-FH-VA, MSY-GH-VA, MSZ-FK-VA, MSZ-GC-NA	6.8		
Type 6	Branch box (PAC-MK-BC(B))	5.1		3.0
Type 7	ecodan C generation			5.0 *5

\*5 This value may increase due to a locally connected actuator.

Connect to Connection kit (PAC-LV11M-J)

Indoor unit		V1	V2
Type 8	MFZ-KJ-VE2	7.4	2.4
Type 9	MSZ-GE-VA, MSZ-SF-VA, MSZ-SF-VE, MSZ-EF-VE, MSZ-FH-VE, MSY-GE-VA, MSY-GH-VA	6.8	
Type 10	Connection kit (PAC-LV11M-J)	3.5	

Indoor unit		V1	V2
Type 11	PEFY-VMA(L)-E, PEFY-VMA3-E	38.0	1.6
Type 12	PMFY-VBM-E, PLFY-VEM-E, PLFY-VFM-E1, PEFY-VMS1(L)-E, PCFY-VKM-E, PKFY-VHM-E, PKFY-VKM-E, PFFY-VKM-E2, PFFY-VLRMM-E, PLFY-EP-VEM-E, PMFY-P-VFM-D	19.8	2.4
Type 13	PKFY-VBM-E	3.5	2.4
Type 14	PLFY-VLMD-E, PEFY-VMR-E-L/R, PDFY-VM-E, PEFY-VMH-E, PFFY-VLEM-E, PFFY-VLRM-E, PWFY-VM-E1(2)-AU, PEFY-P-VMH-E-F, GUF-RD(H)4	0.0	0.0

C : Multiple of tripping current at tripping time 0.01s

Please pick up "C" from the tripping characteristic of the breaker.

## 6. Electrical work

<Example of "F2" calculation>

Condition PEFY-VMS × 4 + PEFY-VMA × 1, C = 8 (refer to right sample chart)

$$F2 = 19.8 \times 4/8 + 38 \times 1/8$$

$$= 14.65$$

→ 16 A breaker (Tripping current =  $8 \times 16$  A at 0.01 s)

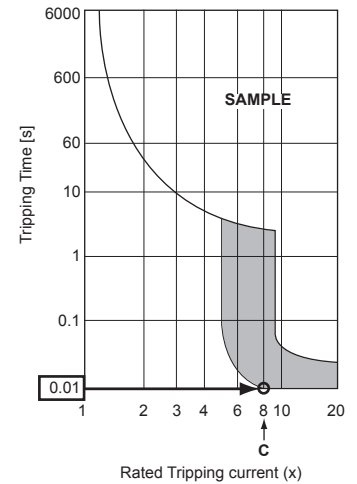
\*3 Current sensitivity is calculated using the following formula.

$$G1 = V2 \times (\text{Quantity of Type1}) + V2 \times (\text{Quantity of Type2}) + V2 \times (\text{Quantity of Type3}) + \dots + V2 \times (\text{Quantity of Type14}) + V3 \times (\text{Wire length[km]})$$

G1	Current sensitivity
30 or less	30 mA 0.1 sec or less
100 or less	100 mA 0.1 sec or less

Wire thickness	V3
1.5 mm <sup>2</sup>	48
2.5 mm <sup>2</sup>	56
4.0 mm <sup>2</sup>	66

Sample chart



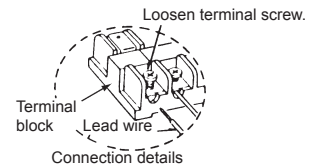
1. Bear in mind ambient conditions (ambient temperature, direct sunlight, rain water, etc.) when proceeding with the wiring and connections.
2. The wire size is the minimum value for metal conduit wiring. The power cord size should be 1 rank thicker consideration of voltage drops. Make sure the power-supply voltage does not drop more than 10%.
3. Specific wiring requirements should adhere to the wiring regulations of the region.
4. Power supply cords of parts of appliances for outdoor use shall not be lighter than polychloroprene sheathed flexible cord (design 60245 IEC57). For example, use wiring such as YZW.
5. Install an earth longer than other cables.

### ⚠ Warning:

- Be sure to use specified wires to connect so that no external force is imparted to terminal connections. If connections are not fixed firmly, it may cause heating or fire.
- Be sure to use the appropriate type of overcurrent protection switch. Note that generated overcurrent may include some amount of direct current.
- Be sure to attach the terminal block covers/panel of the outdoor unit securely. If it is not attached correctly, it could result in a fire or an electric shock due to dust, water, etc.

### ⚠ Caution:

- Be careful not to make mis-wiring.
- Firmly tighten the terminal screws to prevent them from loosening.
- After tightening, pull the wires lightly to confirm that they not move.
- If the connecting wire is incorrectly connected to the terminal block, the unit does not operate normally.
- Some installation site may require attachment of an earth leakage breaker. If no earth leakage breaker is installed, it may cause an electric shock.
- Do not use anything other than breaker and fuse with correct capacity. Using fuse and wire or copper wire with too large capacity may cause a malfunction of unit or fire.



### IMPORTANT

Make sure that the current leakage breaker is one compatible with higher harmonics.

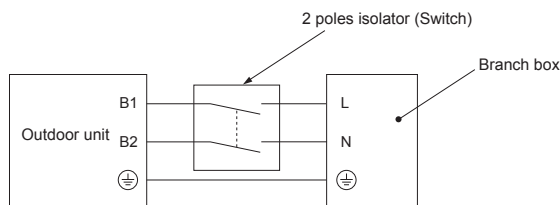
Always use a current leakage breaker that is compatible with higher harmonics as this unit is equipped with an inverter.

The use of an inadequate breaker can cause the incorrect operation of inverter.

Never splice the power cable or the indoor-outdoor-branch box connection cable, otherwise it may result in a smoke, a fire or communication failure.

### ⚠ Warning:

- Please turn off the main power supply when servicing. And do not touch the B1, B2 terminals when the power is energized. If isolator should be used between outdoor unit and branch box/indoor unit and branch box, please use 2-pole type. (Please refer to figure below.)



### ⚠ Caution:

After using the isolator, be sure to turn off and on the main power supply to reset the system. Otherwise, the outdoor unit may not be able to detect the branch box(es) or indoor units.

Be sure to connect the outdoor-branch box/indoor-branch box connecting cables directly to the units (no intermediate connections).







Intermediate connections can lead to communication errors if water enters the cables and causes insufficient insulation to ground or a poor electrical contact at the intermediate connection point.

(If an intermediate connection is necessary, be sure to take measures to prevent water from entering the cables.)

## 6. Electrical work

### 6.5. Address setting

Switch address setting

	Outdoor	Branch Box				M, S, P Series Indoor	CITY MULTI series																																								
		Address		Connection Setting																																											
Switch	  tens digit ones digit SWU2 SWU1	  tens digit ones digit SW12 SW11	A B C D E - <table border="1" style="display: inline-table; vertical-align: middle;"> <tr><td>1</td><td>2</td><td>3</td><td>4</td><td>5</td><td>6</td></tr> </table> ON: Indoor connect OFF: No connection (SW1-6 not use)	1	2	3	4	5	6	None	  tens digit ones digit SW12 SW11																																				
1	2	3	4	5	6																																										
Range	51 - 100	1 - 50		-		-	1 - 50																																								
Setting	M-Control Indoor or Branch Box address +50	<ul style="list-style-type: none"> <li>According to the set address (for example, 01), the addresses for the connected indoor units are set sequentially (for example, 02, 03, 04, and 05).</li> </ul> <table border="1" style="display: inline-table; vertical-align: middle;"> <tr><th>SW1</th><th>1</th><th>2</th><th>3</th><th>4</th><th>5</th></tr> <tr><td></td><td>ON</td><td>ON</td><td>ON</td><td>ON</td><td>ON</td></tr> </table>		SW1	1	2	3	4	5		ON	ON	ON	ON	ON	<ul style="list-style-type: none"> <li>Specify whether indoor units are connected to each port (A, B, C, D, and E).</li> </ul> <table border="1" style="display: inline-table; vertical-align: middle;"> <tr><th>SW1</th><th>1</th><th>2</th><th>3</th><th>4</th><th>5</th><th>(6)</th></tr> <tr><td></td><td></td><td></td><td></td><td></td><td></td><td></td></tr> </table> <table border="1" style="display: inline-table; vertical-align: middle;"> <tr><th>Port</th><th>A</th><th>B</th><th>C</th><th>D</th><th>E</th><th>not use</th></tr> <tr><td></td><td></td><td></td><td></td><td></td><td></td><td></td></tr> </table> Indoor units are connected ON Indoor units are not connected OFF		SW1	1	2	3	4	5	(6)								Port	A	B	C	D	E	not use								There are no address settings for the indoor units.	-
SW1	1	2	3	4	5																																										
	ON	ON	ON	ON	ON																																										
SW1	1	2	3	4	5	(6)																																									
Port	A	B	C	D	E	not use																																									

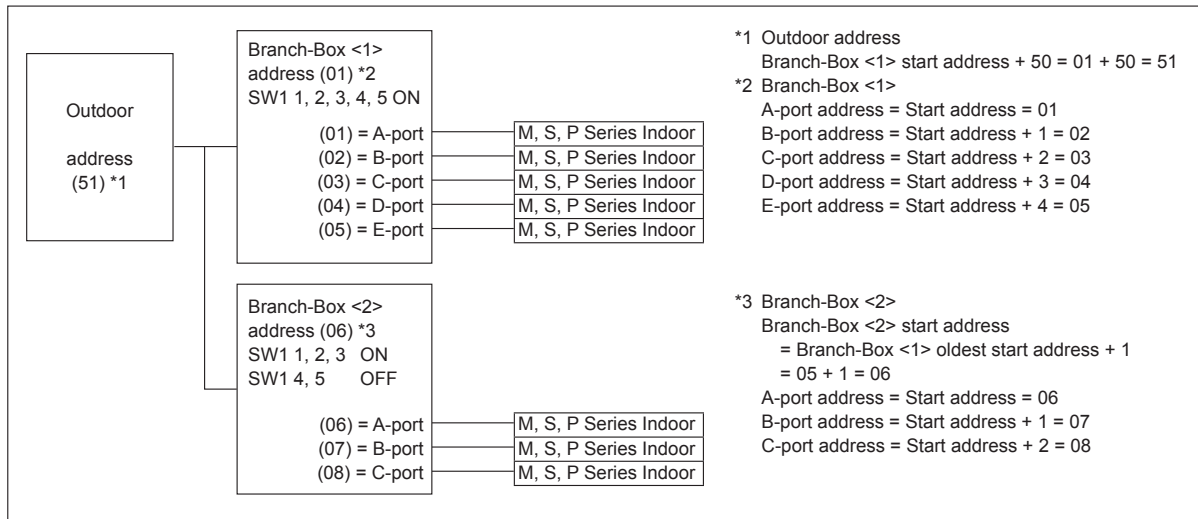
**Note: 1. Branch box address**

When setting the address, use a number within the range 1–50.

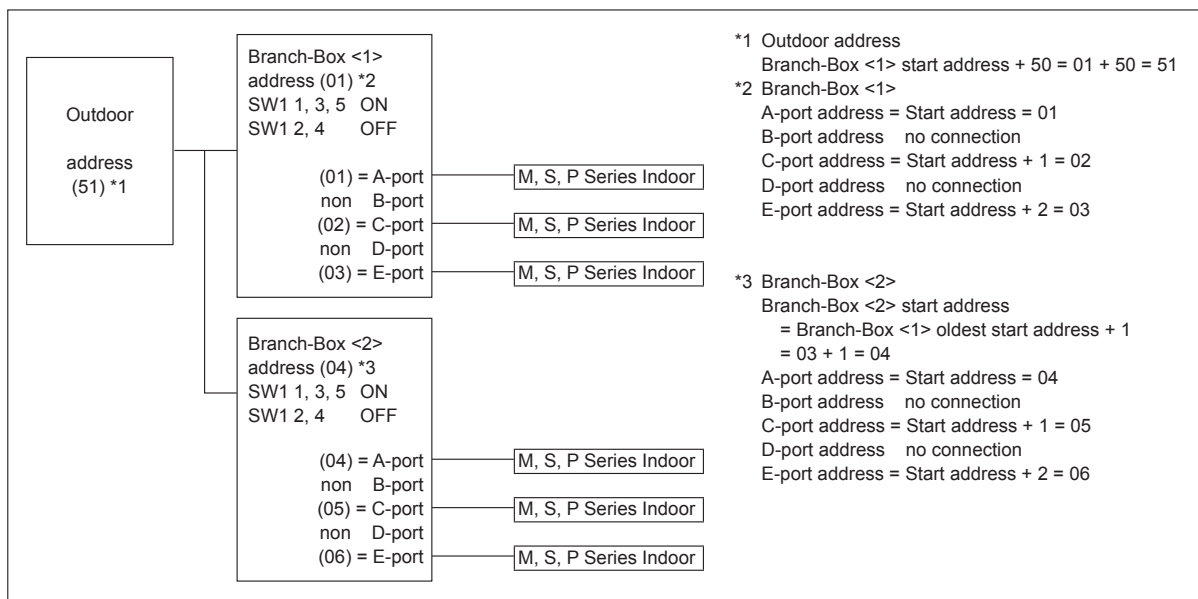
Ex. The set address is (47) and there are 5 indoor units (A, B, C, D, and E).

If A: (47), B: (48), C: (49), D: (50), and E: (51), E is incorrect because it exceeds 50.

Ex1. Outdoor + Branch <1> (M, S, P Series Indoor A, B, C, D, E) + Branch <2> (M, S, P Series Indoor A, B, C)

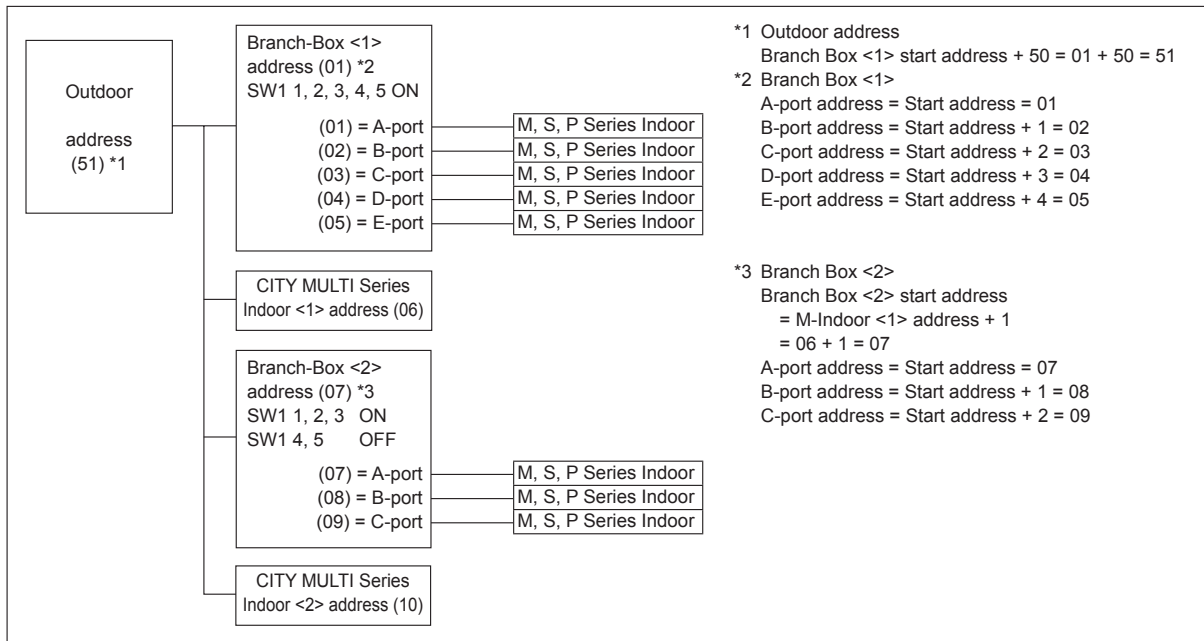


Ex2. Outdoor + Branch <1> (M, S, P Series Indoor A, C, E) + Branch <2> (M, S, P Series Indoor A, C, E)



## 6. Electrical work

Ex3. Outdoor + Branch <1> (M, S, P Series Indoor A, B, C, D, E) + Branch <2> (M, S, P Series Indoor A, B, C) + CITY MULTI Series Indoor <1> + CITY MULTI Series Indoor <2>



GB

## 7. Test run

### 7.1. Before test run

- ▶ After completing installation and the wiring and piping of the indoor and outdoor units, check for refrigerant leakage, looseness in the power supply or control wiring, wrong polarity, and no disconnection of one phase in the supply.
- ▶ Use a 500-volt M-ohm tester to check that the resistance between the power supply terminals and ground is at least 1 MΩ.
- ▶ Do not carry out this test on the control wiring (low voltage circuit) terminals.

⚠ Warning:

Do not use the air conditioner if the insulation resistance is less than 1 MΩ.

#### Insulation resistance

After installation or after the power source to the unit has been cut for an extended period, the insulation resistance will drop below 1 MΩ due to refrigerant accumulating in the compressor. This is not a malfunction. Perform the following procedures.

1. Remove the wires from the compressor and measure the insulation resistance of the compressor.
2. If the insulation resistance is below 1 MΩ, the compressor is faulty or the resistance dropped due to the accumulation of refrigerant in the compressor.

3. After connecting the wires to the compressor, the compressor will start to warm up after power is supplied. After supplying power for the times indicated below, measure the insulation resistance again.
  - The insulation resistance drops due to accumulation of refrigerant in the compressor. The resistance will rise above 1 MΩ after the compressor is warmed up for 12 hours.  
(The time necessary to warm up the compressor varies according to atmospheric conditions and refrigerant accumulation.)
  - To operate the compressor with refrigerant accumulated in the compressor, the compressor must be warmed up at least 12 hours to prevent breakdown.
4. If the insulation resistance rises above 1 MΩ, the compressor is not faulty.

⚠ Caution:

• The compressor will not operate unless the power supply phase connection is correct.

• Turn on the power at least 12 hours before starting operation.

- Starting operation immediately after turning on the main power switch can result in severe damage to internal parts. Keep the power switch turned on during the operational season.

▶ The followings must be checked as well.

- The outdoor unit is not faulty. LED on the control board of the outdoor unit flash when the outdoor unit is faulty.
- Both the gas and liquid stop valves are completely open.

### 7.2. Test run

#### 7.2.1. Using remote controller

Refer to the indoor unit installation manual.

- Be sure to perform the test run for each indoor unit. Make sure each indoor unit operates properly following the installation manual attached to the unit.
- If you perform the test run for all indoor units at once, you cannot detect any erroneous connection, if any, of the refrigerant pipes and the connecting wires.
- \* The compressor operation is not available for 3 minutes at least after the power is supplied.
- The compressor can emit noise just after turn on the power supply or in case of low outside air temperature.
- Depending on the operating conditions, the outdoor unit fan may stop while the compressor is operating, but this is not a malfunction.

#### About the restart protective mechanism

Once the compressor stops, the restart preventive device operates so the compressor will not operate for 3 minutes to protect the air conditioner.

### 7.3. Refrigerant collecting (Pump down)

Perform the following procedures to collect the refrigerant when moving the indoor unit or the outdoor unit.

- ① Turn off the circuit breaker.
- ② Connect the low pressure side of the gauge manifold to the service port of the gas side stop valve.
- ③ Close the liquid stop valve.
- ④ Supply power (circuit breaker).
  - \* Start-up of the indoor-outdoor communication takes about 3 minutes after the power (circuit breaker) is turned on. Start the pump-down operation 3 to 4 minutes after the power (circuit breaker) is turned ON.
- ⑤ Confirm that SW3-2 is set to OFF, and then set SW3-1 to ON to perform the test run for cooling operation. The compressor (outdoor unit) and ventilators (indoor and outdoor units) start operating and test run for cooling operation begins. Immediately after performing the test run for cooling operation, set the outdoor service switch SW2-4 (pump down switch) from OFF to ON.
  - \* Do not continue to operate for a long time with the switch SW2-4 set to ON. Make sure to switch it to OFF after pump down is completed.

- ⑥ Fully close the gas stop valve when the pressure reading on the gauge drops 0.05 - 0.00 MPa (approximately 0.5 - 0.0 kgf/cm<sup>2</sup>)
- ⑦ Stop the air conditioner operation (SW3-1: OFF). Set the outdoor service switch SW2-4 from ON to OFF.
- ⑧ Turn off the power supply (circuit breaker).
  - \* If too much refrigerant has been added to the air conditioner system, the pressure may not drop to 0.05 MPa (0.5 kgf/cm<sup>2</sup>). If this occurs, use a refrigerant collecting device to collect all of the refrigerant in the system, and then recharge the system with the correct amount of refrigerant after the indoor and outdoor units have been relocated.

⚠ Warning:

When pumping down the refrigerant, stop the compressor before disconnecting the refrigerant pipes. The compressor may burst and cause injury if any foreign substance, such as air, enters the system.

# Inhaltsverzeichnis

1. Sicherheitsvorkehrungen.....	24	5. Verrohrung der Drnage.....	36
2. Aufstellort .....	26	6. Elektroarbeiten .....	36
3. Einbau der Auenanlage.....	29	7. Testlauf.....	45
4. Installation der Kltemittelrohrleitung .....	29		

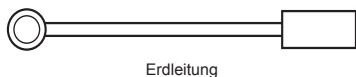
## ⚠ Vorsicht:

- Lassen Sie kein R410A in die Atmosphre gelangen.

## Überprüfung des Lieferumfangs

Neben dieser Anleitung ist auch das folgende Teil im Lieferumfang des Auengerts enthalten.

Es dient zur Erdung der S-Klemme der Klemmleiste TB7 der Übertragungsleitung. Einzelheiten dazu siehe "6. Elektroarbeiten".



Erdleitung

## 1. Sicherheitsvorkehrungen

- ▶ Vor dem Einbau der Anlage vergewissern, dass Sie alle Informationen über "Sicherheitsvorkehrungen" gelesen haben.
- ▶ Vor Anschluss an das System Mitteilung an Stromversorgungsunternehmen machen oder dessen Genehmigung einholen.
- ▶ Die Serie PUMY-P-VKM entspricht der Norm IEC/EN 61000-3-12
- ▶ Die Serie PUMY-P-VKM und die Serie PUMY-P-YKME sind auf die Verwendung in einer Wohn-, gewerblichen und Leichtindustrialumgebung ausgelegt.
- ▶ Die Serie PUMY-P-YKM ist als professionelle Gertausstattung ausgelegt.
- ▶ Verwenden Sie zum Anschluss einer ATW-Innenanlage (Serien EHST20C und EHSC) mit einem 3-Phasen-Modell PUMY-P-YKME4.

### ⚠ Warnung:

Beschreibt Vorkehrungen, die beachtet werden mussen, um den Benutzer vor der Gefahr von Verletzungen oder todlichen Unfllen zu bewahren.

### ⚠ Vorsicht:

Beschreibt Vorkehrungen, die beachtet werden mussen, damit an der Anlage keine Schden entstehen.

### ⚠ Warnung:

- Das Gert darf nicht vom Benutzer installiert werden. Bitten Sie Ihren Fachhndler oder einen geprüften Fachtechniker, die Installation der Anlage vorzunehmen. Wenn das Gert unsachgema installiert wurde, kann dies Wasseraustritt, Stromschlge oder einen Brand zur Folge haben.
- Dieses Gert ist fur die Verwendung durch Fachleute oder geschultes Personal in Geschften, in der Leichtindustrie und auf Bauernhofen oder fur die kommerzielle Verwendung durch Laien geeignet.
- Folgen Sie bei der Installation den Anweisungen in der Installationsanleitung, und verwenden Sie Werkzeuge und Rohrleitungsbestandteile, die ausdrucklich zum Einsatz von Kltemittel R410A ausgelegt sind. Das Kltemittel R410A ist im HFC-System 1,6-mal hoherem Druck ausgesetzt als ubliche Kltemittel. Wenn Rohrleitungsbestandteile verwendet werden, die nicht fur Kltemittel R410A ausgelegt sind und die Anlage nicht richtig installiert ist, konnen Rohre platzen und dabei Verletzungen oder Sachschden verursachen. Auerdem kann das Wasseraustritt, Stromschlge oder einen Brand zur Folge haben.
- Die Anlage muss entsprechend den Anweisungen installiert werden, um die Gefahr von Schden in Folge von Erdbeben, Sturmen oder starkem Windeinfluss zu minimieren. Eine falsch installierte Anlage kann herabfallen und dabei Verletzungen oder Sachschden verursachen.
- Die Anlage muss sicher an einem Bauteil installiert werden, das das Gewicht der Anlage tragen kann. Wenn die Anlage an einem zu schwachen Bauteil montiert ist, besteht die Gefahr, dass sie herabfllt und dabei Verletzungen oder Sachschden verursacht.
- Wenn die Klimaanlage in einem kleinen Raum installiert wird, mussen Manahmen ergriffen werden, damit die Kltemittelkonzentration auch bei Kltemittelaustritt den Sicherheitsgrenzwert nicht uberschreitet. Konsultieren Sie Ihren Fachhndler bezuglich geeigneter Manahmen gegen die uberschreitung der erlaubten Konzentration. Sollte Kltemittel austreten und der Grenzwert der Kltemittelkonzentration uberschritten werden, konnen durch den Sauerstoffmangel im Raum Gefahren entstehen.
- Lufen Sie den Raum, wenn bei Betrieb Kltemittel austritt. Wenn Kltemittel mit einer Flamme in Beruhung kommt, werden dabei giftige Gase freigesetzt.
- Alle Elektroarbeiten mussen entsprechend den ortlichen Vorschriften und den Anweisungen in dieser Anleitung von qualifizierten Fachelektrikern ausgefuhrt werden. Die Anlagen mussen uber eigene Stromkreise versorgt werden, und es mussen die richtige Betriebsspannung und die richtigen Leistungsschalter verwendet werden. Stromleitungen mit unzureichender Kapazitt oder falsch ausgefuhrte Elektroarbeiten konnen Stromschlge oder Brnde verursachen.
- Verwenden Sie zur Verbindung der Kltemittelrohrleitungen für nahtlose Rohre aus Kupfer und Kupferlegierungen Kupferphosphor C1220. Wenn die Rohre nicht korrekt verbunden sind, ist die Anlage nicht ordnungsgema geerdet, was Stromschlge zur Folge haben kann.

Erlutern Sie dem Kunden nach Abschluss der Installationsarbeiten die "Sicherheitsvorkehrungen" sowie die Nutzung und Wartung der Anlage entsprechend den Informationen in der Bedienungsanleitung und fuhren Sie einen Testlauf durch, um sicherzustellen, dass die Anlage ordnungsgema funktioniert. Geben Sie dem Benutzer sowohl die Installations- als auch die Bedienungsanleitung zur Aufbewahrung. Diese Anleitungen sind auch den nachfolgenden Besitzern der Anlage weiterzugeben.

⚡ : Verweist auf einen Teil der Anlage, der geerdet werden muss.

### ⚠ Warnung:

Sorgfltig die auf der Hauptanlage aufgebrachten Aufschriften lesen.

- Verwenden Sie zur Verdrahtung nur die angegebenen Kabel. Die Anschlusse mussen fest und sicher ohne Zugbelastung auf den Klemmen vorgenommen werden. Spleien Sie auerdem niemals die Kabel fur die Verdrahtung (auer es wird in diesem Dokument entsprechend angegeben). Wenn die Kabel falsch angeschlossen oder installiert sind, kann dies uberhitzung oder einen Brand zur Folge haben.
- Die Abdeckplatte der Klemmleiste der Auenanlage muss fest angebracht werden. Wenn die Abdeckplatte falsch montiert ist und Staub und Feuchtigkeit in die Anlage eindringen, kann dies einen Stromschlag oder einen Brand zur Folge haben.
- Beim Installieren oder Umsetzen oder Warten der Klimaanlage darf nur das angegebene Kltemittel (R410A) zur Befullung der Kltemittelleitungen verwendet werden. Vermischen Sie es nicht mit anderem Kltemittel und lassen Sie nicht zu, dass Luft in den Leitungen zuruckbleibt.
- Wenn sich Luft mit dem Kltemittel vermischt, kann dies zu einem ungewohnlich hohen Druck in der Kltemittelleitung fuhren und eine Explosion oder andere Gefahren verursachen.
- Die Verwendung eines anderen als des fur das System angegebenen Kltemittels fuhrt zu mechanischem Versagen, einer Fehlfunktion des Systems oder einer Beschdigung des Gerts. Im schlimmsten Fall kann sie ein schwerwiegendes Hindernis fur die Aufrechterhaltung der Produktsicherheit darstellen.
- Verwenden Sie nur von Mitsubishi Electric zugelassenes Zubehor, und lassen Sie dieses durch Ihren Fachhndler oder eine Vertragswerkstatt einbauen. Wenn Zubehor falsch installiert ist, kann dies Wasseraustritt, Stromschlge oder einen Brand zur Folge haben.
- Verndern Sie die Anlage nicht. Wenden Sie sich fur Reparaturen an Ihren Fachhndler. Wenn nderungen oder Reparaturen nicht sachgema durchgefuhrt werden, kann dies Wasseraustritt, Stromschlge oder einen Brand zur Folge haben.
- Der Benutzer darf niemals versuchen, die Anlage zu reparieren oder an einem anderen Ort aufzustellen. Wenn die Anlage nicht sachgema installiert ist, kann dies Wasseraustritt, Stromschlge oder einen Brand zur Folge haben. Wenn die Klimaanlage repariert oder transportiert werden muss, wenden Sie sich dazu an Ihren Fachhndler oder einen geprüften Fachtechniker.
- Prufen Sie die Anlage nach Abschluss der Installation auf Kltemittelaustritt. Wenn Kltemittel in den Raum gelangt und mit der Flamme einer Heizung oder eines Gasherds in Beruhung kommt, werden dabei giftige Gase freigesetzt.
- Das Gert muss entsprechend den nationalen Vorschriften zur Verkabelung eingebaut werden.
- Ein beschdigtes Netzkabel muss vom Hersteller, seinem Kundendienst oder einer entsprechend qualifizierten Person ausgetauscht werden, um Gefahren zu vermeiden.



# 1. Sicherheitsvorkehrungen

## 1.1. Vor der Installation

### ⚠ Vorsicht:

- Setzen Sie die Anlage nicht in unüblichem Umfeld ein. Wenn die Klimaanlage in Bereichen installiert ist, in denen sie Rauch, austretendem Öl (einschließlich Maschinenöl) oder Schwefeldämpfen ausgesetzt ist, Gegenden mit hohem Salzgehalt, etwa am Meer, oder Bereichen, in denen die Anlage mit Schnee bedeckt wird, kann dies erhebliche Leistungsbeeinträchtigungen und Schäden an den Geräteteilen im Inneren der Anlage zur Folge haben.
- Installieren Sie die Anlage nicht in Bereichen, in denen entzündliche Gase austreten, hergestellt werden, ausströmen oder sich ansammeln können. Wenn sich entzündliche Gase im Bereich der Anlage ansammeln, kann dies zu einem Brand oder einer Explosion führen.
- Während des Heizens entsteht an der Außenanlage Kondenswasser. Sorgen Sie für eine Wasserableitung rund um die Außenanlage, wenn Kondenswasser Schäden verursachen kann.
- Bei der Installation der Anlage in Krankenhäusern oder Kommunikationseinrichtungen müssen Sie mit Lärmbelastung und elektronischen Störungen rechnen. Inverter, Haushaltsgeräte, medizinische Hochfrequenzapparate und Telekommunikationseinrichtungen können Fehlfunktionen oder den Ausfall der Klimaanlage verursachen. Die Klimaanlage kann auch medizinische Geräte in Mitleidenschaft ziehen, die medizinische Versorgung und Kommunikationseinrichtungen durch Beeinträchtigung der Bildschirmdarstellung stören.

## 1.2. Vor der Installation (Transport)

### ⚠ Vorsicht:

- Lassen Sie beim Transport der Anlagen besondere Vorsicht walten. Zum Transport der Anlage sind mindestens zwei Personen nötig, da die Anlage 20 kg oder mehr wiegt. Tragen Sie die Anlage nicht an den Verpackungsbändern. Tragen Sie Schutzhandschuhe beim Auspacken und beim Transportieren der Anlage, um Verletzungen der Hände durch die Kühlrippen oder andere Teile zu vermeiden.
- Sorgen Sie für eine ordnungsgemäße Entsorgung der Verpackungsmaterialien. Verpackungsmaterialien wie Nägel sowie andere metallene oder hölzerne Teile können Verletzungen verursachen.
- Die Bodenplatte und die Befestigungsteile der Außenanlage müssen regelmäßig auf Festigkeit, Risse und andere Schäden geprüft werden. Wenn solche Schäden nicht behoben werden, kann die Anlage herabfallen und dabei Verletzungen oder Sachschäden verursachen.
- Die Klimaanlage darf nicht mit Wasser gereinigt werden. Dabei kann es zu Stromschlägen kommen.
- Alle Konusmutter müssen mit einem Drehmomentschlüssel entsprechend den technischen Anweisungen angezogen werden. Wenn eine Konusmutter zu fest angezogen wird, besteht die Gefahr, dass sie nach einer gewissen Zeit bricht und dass Kältemittel austritt.

## 1.3. Vor den Elektroarbeiten

### ⚠ Vorsicht:

- Installieren Sie auf jeden Fall Leistungsschalter. Andernfalls besteht die Gefahr von Stromschlägen.
- Verwenden Sie für die Netzleitungen handelsübliche Kabel mit ausreichender Kapazität. Andernfalls besteht die Gefahr von Kurzschlüssen, Überhitzung oder eines Brandes.
- Achten Sie bei der Installation der Netzleitungen darauf, dass keine Zugspannung für die Kabel entsteht. Wenn sich die Anschlüsse lösen, besteht die Gefahr, dass die Kabel aus den Klemmen rutschen oder brechen; dies kann Überhitzung oder einen Brand verursachen.
- Die Anlage muss geerdet werden. Schließen Sie die Erdungsleitung nicht an Gas- oder Wasserleitungen, Blitzableitern oder Telefonerdungsleitungen an. Wenn die Anlage nicht ordnungsgemäß geerdet ist, besteht die Gefahr von Stromschlägen.
- Verwenden Sie Leistungsschalter (Erdschlussunterbrecher, Trennschalter (+B-Sicherung) und gussgekapselte Leistungsschalter) mit der angegebenen Kapazität. Wenn die Leistungsschalterkapazität größer ist als vorgeschrieben, kann dies einen Ausfall der Klimaanlage oder einen Brand zur Folge haben.

## 1.4. Vor dem Testlauf

### ⚠ Vorsicht:

- Schalten Sie den Netzschalter mehr als 12 Stunden vor Betriebsbeginn ein. Ein Betriebsbeginn unmittelbar nach Einschalten des Netzschalters kann zu schwerwiegenden Schäden der Innenteile führen. Lassen Sie während der Betriebsperiode den Netzschalter eingeschaltet.
- Prüfen Sie vor Betriebsbeginn, ob alle Platten, Sicherungen und weitere Schutzvorrichtungen ordnungsgemäß installiert sind. Rotierende, heiße oder unter Hochspannung stehende Bauteile können Verletzungen verursachen.
- Berühren Sie Schalter nicht mit nassen Händen. Dadurch besteht die Gefahr eines Stromschlags.
- Berühren Sie die Kältemittelrohre während des Betriebs nicht mit bloßen Händen. Die Kältemittelrohrleitungen sind je nach Zustand des durchfließenden Kältemittels heiß oder kalt. Beim Berühren der Rohre besteht die Gefahr von Verbrennungen oder Erfrierungen.
- Nach Beendigung des Betriebs müssen mindestens fünf Minuten verstreichen, ehe der Hauptschalter ausgeschaltet wird. Andernfalls besteht die Gefahr von Wasseraustritt oder Ausfall der Anlage.

## 1.5. Einsatz von Klimaanlage mit dem Kältemittel R410A

### ⚠ Vorsicht:

- Verwenden Sie zur Verbindung der Kältemittelrohrleitungen für nahtlose Rohre aus Kupfer und Kupferlegierungen Kupferphosphor C1220. Vergewissern Sie sich, dass die Rohre von innen sauber sind und keine schädlichen Verunreinigungen wie Schwefelverbindungen, Oxidationsmittel, Fremdkörper oder Staub enthalten. Verwenden Sie Rohre mit der vorgeschriebenen Stärke (Siehe Seite 29). Beachten Sie die folgenden Hinweise, wenn Sie vorhandene Rohre wieder verwenden, mit denen das Kältemittel R22 transportiert wurde.
- Ersetzen Sie die vorhandenen Konusmutter, und weiten Sie die zur Aufweitung bestimmten Bereiche erneut auf.
- Verwenden Sie keine dünnen Rohre (Siehe Seite 29).
- Lagern Sie die für die Installation benötigten Rohre in einem geschlossenen Raum, und lassen Sie beide Enden der Rohre bis unmittelbar vor dem Hartlöten abgedichtet. (Belassen Sie Winkelstücke usw. in ihren Verpackungen.) Wenn Staub, Fremdkörper oder Feuchtigkeit in die Kältemittelleitungen eindringen, besteht die Gefahr, dass sich das Öl zersetzt oder der Kompressor ausfällt.
- Tragen Sie eine kleine Menge Esteröl/Ätheröl oder Alkylbenzol als Kältemittelöl auf die Konusanschlüsse auf. Wenn das Kältemittelöl mit Mineralöl gemischt wird, besteht die Gefahr, dass sich das Öl zersetzt.
- Verwenden Sie kein anderes Kältemittel als das Kältemittel R410A. Wenn ein anderes Kältemittel verwendet wird, führt das Chlor dazu, dass sich das Öl zersetzt.
- Verwenden Sie die folgenden Werkzeuge, die speziell für die Verwendung mit Kältemittel R410A ausgelegt sind. Die folgenden Werkzeuge sind für die Verwendung des Kältemittels R410A erforderlich. Wenden Sie sich bei weiteren Fragen an Ihren Fachhändler.

Werkzeuge (für R410A)	
Kaliber des Rohrverteilers	Aufweitungswerkzeug
Füllschlauch	Lehre für die Größenanpassung
Gasleckdetektor	Netzteil der Vakuumpumpe
Drehmomentschlüssel	Elektronische Kältemittelfüllstandsanzeige

- Verwenden Sie unbedingt die richtigen Werkzeuge. Wenn Staub, Fremdkörper oder Feuchtigkeit in die Kältemittelleitungen eindringen, besteht die Gefahr, dass sich das Kältemittelöl zersetzt.
- Verwenden Sie keinen Füllzylinder. Bei Verwendung eines Füllzylinders wird die Zusammensetzung des Kältemittels geändert und damit der Wirkungsgrad verringert.

## 2. Aufstellort

### 2.1. Rohrleitung für Kältemittel

Siehe Fig. 4-1.

### 2.2. Auswahl des Aufstellungsortes für die Außenanlage

- Vermeiden Sie Aufstellungsorte, die direkter Sonneneinstrahlung oder anderen Hitzequellen ausgesetzt sind.
- Wählen Sie den Aufstellungsort so, dass von der Anlage ausgehende Geräusche die Nachbarschaft nicht stören.
- Wählen Sie den Aufstellungsort so, dass der Netzanschluss und die Verlegung der Rohre zur Innenanlage einfach zu bewerkstelligen sind.
- Vermeiden Sie Aufstellungsorte, an denen entzündliche Gase austreten, hergestellt werden, ausströmen oder sich ansammeln.
- Beachten Sie, dass bei Betrieb der Anlage Wasser heruntertropfen kann.
- Wählen Sie einen waagerechten Aufstellungsort, der dem Gewicht und den Schwingungen der Anlage gewachsen ist.
- Vermeiden Sie Aufstellungsorte, an denen die Anlage mit Schnee bedeckt werden kann. In Gegenden, in denen mit schwerem Schneefall zu rechnen ist, müssen spezielle Vorkehrungen getroffen werden, wie die Wahl eines höheren Aufstellungsorts oder die Montage einer Abdeckhaube vor der Öffnung für die Luftansaugung, um zu vermeiden, dass Schnee die Luftansaugung blockiert oder direkt hineingeblasen wird. Dadurch kann der Luftstrom vermindert und so Fehlfunktionen verursacht werden.
- Vermeiden Sie Aufstellungsorte, die Öl, Dampf oder Schwefelgas ausgesetzt sind.
- Benutzen Sie zum Transport der Außenanlage die vier Tragegriffe. Wenn die Anlage an der Unterseite getragen wird, besteht die Gefahr, dass Hände oder Finger gequetscht werden.

### 2.3. Außenmaße (Außenanlage) (Fig. 2-1)

#### Beschränkungen für die Installation des Innengerätes

Bitte beachten, dass Innengeräte, die an das vorliegende Außengerät angeschlossen werden können, zu den nachstehenden Modellen gehören.

- Innengeräte mit den Modell-Nummern 15-140 können angeschlossen werden. Bei Verwendung eines Abzweigkastens können Innengeräte mit den Modellnummern 15 bis 100 angeschlossen werden. Siehe unten stehende Tabelle 1 zu möglichen Raum-Innenanlagen-Kombinationen.

#### Nachprüfung

Die Nennleistung muss unter Beachtung der unten stehenden Tabelle bestimmt werden. Die Mengenangaben sind wie in der nachfolgenden Tabelle 2 aufgeführt begrenzt. Stellen Sie im nächsten Schritt sicher, dass die gewählte Gesamtnennleistung in einem Bereich von 50% - 130% der Leistung der Außenanlage bleibt.

- PUMY-P112 6,3 - 16,2 kW
- PUMY-P125 7,1 - 18,2 kW
- PUMY-P140 8,0 - 20,2 kW

Tabelle 1-1 City Multi-Innengeräte (Serie P-FY)

Innengerätetyp	P15*	P20	P25	P32	P40	P50	P63	P71	P80	P100	P125	P140
Nennleistung (Kühlen) (kW)	1,7	2,2	2,8	3,6	4,5	5,6	7,1	8,0	9,0	11,2	14,0	16,0

Tabelle 1-2 (M-Serie, P-Serie, S-Serie)

Innengerätetyp	15	20	22	25	35	42	50	60	71	80	100
Nennleistung (Kühlen) (kW)	1,5	2,0	2,2	2,5	3,5	4,2	5,0	6,0	7,1	8,0	10,0

Kombinationen, bei denen die Gesamtleistung der Innengeräte die Leistung des Außengerätes übersteigt, vermindern die Kühlkapazität jedes Innengerätes unter deren Nennkühlleistung. Daher, wenn möglich, Innengeräte mit einem Außengerät innerhalb der Leistung des Außengerätes kombinieren.

\* Wenn alle Innengeräte P15-Modelle sind, können 12 Innengeräte an 1 Außengerät angeschlossen werden.

### 2.4. Anschließen eines PWFY-Geräts

Wenn ein PWFY-Gerät als Innenanlage verwendet wird, müssen die folgenden Punkte beachtet werden, da sich das PWFY-Gerät von anderen Innenanlagen unterscheidet.

Ein PWFY-Gerät darf innerhalb der EU nicht angeschlossen werden.

#### 2.4.1. Anschlussbeschränkungen

• Es kann nur 1 PWFY-P100VM-E-AU angeschlossen werden. PWFY-P200VM-E-AU und PWFY-P100VM-E-BU können nicht angeschlossen werden.

• Das PWFY-Gerät kann nicht als einziges Gerät an eine Außenanlage angeschlossen werden. Die Außenanlage so wählen, dass die Gesamtnennleistung aller Innenanlagen ohne das PWFY-Gerät 50 - 100 % der Leistung der Außenanlage beträgt.

Grenzwerte der Gesamtnennleistung von Innenanlagen beim Anschluss eines PWFY-Geräts

- PUMY-P112 (1 PWFY-Gerät + Nicht-PWFY-Geräte [6,3 - 12,5 kW])
- PUMY-P125 (1 PWFY-Gerät + Nicht-PWFY-Geräte [7,1 - 14,0 kW])
- PUMY-P140 (1 PWFY-Gerät + Nicht-PWFY-Geräte [8,0 - 15,5 kW])

#### 2.4.2. Technische Daten der Innenanlage

Wird ein PWFY-Gerät an ein PUMY-Gerät angeschlossen, ändern sich die folgenden technischen Daten.

• Das PWFY-Gerät arbeitet nur in der Betriebsart "Heizen". Das PWFY-Gerät kann nicht in der Betriebsart "Kühlen" betrieben werden. Andere Innengeräte, die sich von PWFY unterscheiden, können jedoch im Kühlmodus arbeiten.

• Die anderen Innengeräte können nicht zur selben Zeit wie das PWFY-Gerät betrieben werden. Der Betrieb des PWFY-Geräts hat Vorrang. Ist das PWFY-Gerät im Betriebsmodus, schalten die anderen Innengeräte ab.

• Die Temperatureinstellung der Fernbedienung ist der Zielwert für die Auslasswassertemperatur.

#### 2.4.3. Schaltereinstellungen (Fig. 2-2)

Stellen Sie beim Anschließen eines PWFY-Geräts an ein PUMY-Gerät die DIP-Schalter SW1-1, SW4-2 und SW4-6 des PWFY-Geräts.

#### 2.4.4. Testlauf

Wenn der Testlauf mit den Schaltern der Außenanlage durchgeführt wird, läuft das PWFY-Gerät nicht. Führen Sie den Testlauf mit den Schaltern am PWFY-Gerät oder mit der Fernbedienung durch. Weitere Informationen zur Durchführung des Testlaufs finden Sie im Datenbuch oder dem Wartungshandbuch des PWFY-Geräts.

#### 2.4.5. Sammeln des Kältemittels (Abpumpen)

In Schritt ① des Auspumpverfahrens wird der Benutzer angewiesen, "alle Innengeräte in der Betriebsart Kühlen laufen lassen". Das PWFY-Gerät kann jedoch nicht in der Betriebsart "Kühlen" betrieben werden.

Alle Innengeräte, außer dem PWFY-Gerät, in der Betriebsart "Kühlen" laufen lassen.

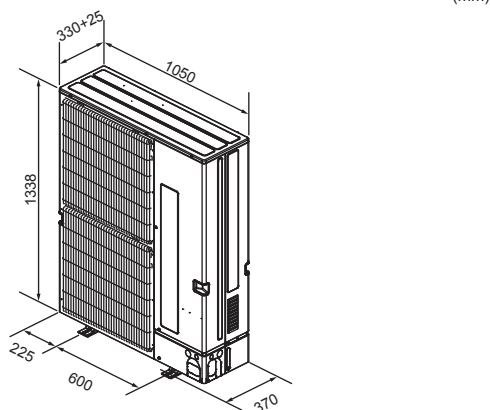


Fig. 2-1

Tabelle 2 Mengen anschließbarer Innengeräte

#### • City Multi-Innengeräte

P112	1-9 *1
P125	1-10 *2
P140	1-12 *3

\*1 Bei Verbindung von Innengeräten der Serie M über den Anschlussbausatz können 10 Innengeräte verbunden werden.

\*2 Bei Verbindung von Innengeräten der Serie M über den Anschlussbausatz können 12 Innengeräte verbunden werden.

\*3 Wenn alle Innengeräte P15-Modelle sind, können 12 Innengeräte verbunden werden.

#### • Abzweigkastensystem (Innengeräte der Serie M, S, P über Abzweigkasten)

P112	2-8
P125	2-8
P140	2-8

#### • Gemischtes System (City Multi-Innengeräte und Innengeräte der Serien M, S, P über Abzweigkasten)

	Ein Abzweigkasten		Zwei Abzweigkästen	
	Über Abzweigkasten	City Multi innen	Über Abzweigkasten	City Multi innen
P112	Max. 5	Max. 5*1	Max. 7	Max. 3*1
P125	Max. 5	Max. 5*1	Max. 8	Max. 2*1
P140	Max. 5	Max. 5*1	Max. 8	Max. 3*1

\*1 Innengeräte des Typs PKFY-P-VBM, PFFY-P-VKM und PFFY-P-VL\* können nicht in einem Mischsystem verwendet werden.

Tabelle 3 Technische Daten des PWFY-Geräts

Modell		PWFY-P100VM-E-AU
Temperaturbereich Heizen	Außentemperatur	-15 bis 21 °C (Trockenkugel), -15 bis 15 °C (Feuchtkugel)
	Einlasswassertemp.	10 bis 45 °C
Temperaturbereich Kühlen	Außentemperatur	-
	Einlasswassertemp.	-

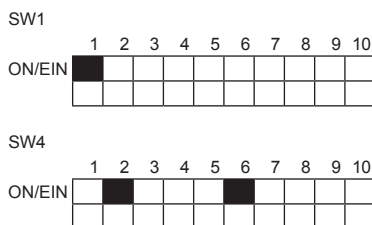


Fig. 2-2

## 2. Aufstellort

### 2.5. Anschließen eines Zylinders (EHST20C) oder einer Hydrobox (EHSC)

Wenn ein Zylinder oder eine Hydrobox angeschlossen wird, müssen die folgenden Punkte beachtet werden, da sich der Zylinder und die Hydrobox von anderen Innenanlagen unterscheiden.

#### 2.5.1. Anschlussbeschränkungen

- Nur 1 Zylinder (EHST20C) oder 1 Hydrobox (EHSC) kann angeschlossen werden.  
(EHST20C-MEC, Serie EHST20D, Serie EHPT20X, Serie EHSD, EHSC-MEC, Serie ERSD, Serie EHPX können nicht angeschlossen werden.)
- Verwenden Sie zum Anschließen von Ecodan-Systemen eine PAC-MK32/52BC(B) Abzweigdose. (Ein Abzweigkasten PAC-MK31/51BC(B) kann nicht benutzt werden.)
- PWFY-Geräte können nicht zur selben Zeit wie ein Zylinder oder eine Hydrobox angeschlossen werden.
- ATA-Innenanlagen\*1 mit einer Gesamtnennleistung von 50% – 130% der Außenanlagenleistung und 1 Zylinder oder 1 Hydrobox können angeschlossen werden.

\*1 ATA-Innengerät: Ein Innengerät ohne PWFY, Zylindereinheit und Hydrobox.

PUMY-P112 1 Zylinder oder 1 Hydrobox + ATA-Innenanlagen [max. 16,2 (1,3\*2) kW]

PUMY-P125 1 Zylinder oder 1 Hydrobox + ATA-Innenanlagen [max. 18,2 (2,8\*2) kW]

PUMY-P140 1 Zylinder oder 1 Hydrobox + ATA-Innenanlagen [max. 20,2 (4,3\*2) kW]

\*2 Falls ein Zylinder oder eine Hydrobox in der Betriebsart "Heizen" / DHW betrieben wird und zugleich die ATA-Innenanlagen betrieben werden.

Allerdings sind die folgenden Verbindungskombinationen möglich.

- PUMY-P112: MSZ-SF15VE × 1
- PUMY-P125: MSZ-SF15VE × 2
- PUMY-P140: MSZ-SF15VE × 3

#### 2.5.2. Technische Daten der Innenanlage

Wird ein Zylinder oder eine Hydrobox angeschlossen, ändern sich die folgenden technischen Daten.

- Der Zylinder oder die Hydrobox kann nicht in der Betriebsart "Kühlen" betrieben werden.
- Die Betriebsart des Zylinders oder der Hydrobox hat stets Vorrang.
- Der DHW-Betrieb-Umweltmodus kann nicht verwendet werden.
- Die maximale Durchflusstemperatur beträgt 55 °C. (Der DIP-Schalter SW1-2 am Zylinder oder an der Hydrobox muss auf AUS umgeschaltet werden.)
- Die Energieüberwachung ist nur verwendbar, wenn ein externer Leistungsmesser angeschlossen ist.
- Es können nicht mehrere Außenanlagen gesteuert werden.
- Ein Zylinder oder eine Hydrobox kann nicht mit einer M-NET-Fernbedienung und einer zentralisierten Steuerung verbunden werden.
- Die Erhitzerverriegelung ist nur bei Umschaltung auf die Außenlufttemperatur verwendbar.
- Ein Zylinder oder eine Hydrobox kann nicht mit einer ATA-Innenanlage gruppiert werden.
- Falls ein Zylinder oder eine Hydrobox in der Betriebsart **Heizen** betrieben wird und zugleich die ATA-Innenanlagen betrieben werden, beachten Sie die folgenden Punkte.
  - Der Heizströmungstemperaturbereich von Zylinder oder Hydrobox beträgt 45 °C - 55 °C.  
Bitte stellen Sie den Strömungstemperaturbereich unter Bezugnahme auf die Installationsanleitung von Zylinder oder Hydrobox ein.
  - Die Außentemperatur muss mindestens -10 °C betragen. Bei einer Außentemperatur unter 7 °C nehmen Durchflusstemperatur und Abblastemperatur ab.
- Der gleichzeitige Betrieb von Zylinder oder Hydrobox in der Betriebsart **DHW** und der ATA-Innenanlagen ist nur bei einer Außentemperatur von mindestens 7 °C möglich. Ist die Außentemperatur niedriger als 7 °C, können sie nicht gleichzeitig betrieben werden.

#### 2.5.3. Schaltereinstellungen

Stellen Sie beim Anschließen eines Zylinders oder einer Hydrobox an ein PUMY-Gerät den DIP-Schalter SW1-2 an Zylinder oder Hydrobox auf AUS.

#### 2.5.4. Testlauf

Führen Sie den Testlauf für den Zylinder oder die Hydrobox über die Innenanlage durch.

(Nähere Informationen zum Testlauf finden Sie im Installationshandbuch für den Zylinder oder die Hydrobox.)

#### 2.5.5. Kältemittel sammeln (Abpumpen)

Gehen Sie wie in 7.3. beschrieben vor.

### 2.6. Anschließen eines Innengeräts ausschließlich zur Kühlung

Wenn ein System ein oder mehrere Innengeräte ausschließlich zur Kühlung aufweist, muss das gesamte System als Kühlsystem eingerichtet werden.

Stellen Sie die Geräte wie in Tabelle 4 angegeben ein.

Tabelle 4 Einstellung ausschließlich für Kühlung

Gerät		Einstellung
Außengerät	PUMY-P-V/YKM(E)4	DIP-Schalter SW2-6 an Mehrfachsteuerplatine: EIN
Abzweigkasten	PAC-MK-BC(B)	DIP-Schalter SW4-5 an Abzweigkasten-Steuerplatine: EIN
Innengerät	Baureihe CITY MULTI	DIP-Schalter SW3-1 an Innengerät-Steuerplatine: EIN
	Baureihe M, S, P	Keine Einstellung erforderlich.

### 2.7. Anschließen eines PEFY-P-VMA3-E

Verwenden Sie beim Anschließen eines PEFY-P-VMA3-E die folgenden Kombinationen für die angeschlossenen Innengeräte.

	PUMY-P112	PUMY-P125	PUMY-P140
OK	PEFY-P25VMA3-E × 2 + PEFY-P32VMA3-E × 2	PEFY-P32VMA3-E × 4	PEFY-P32VMA3-E × 3 + PEFY-P40VMA3-E × 1
NEIN	Alle Kombinationen mit Ausnahme der obenstehenden Kombinationen Beispiel: 1: PEFY-P25VMA3-E × 2 + PEFY-P32VMA3-E × 2 Beispiel: 2: PEFY-P25VMA3-E × 2 + PEFY-P32VMA3-E × 1 Beispiel: 3: PEFY-P32VMA3-E × 4 (Eine Kombination für ein PUMY-P125) Beispiel: 4: PEFY-P25VMA3-E × 2 + PEFY-P32VMA3-E × 2 + MSZ-FH25VE × 1	Alle Kombinationen mit Ausnahme der obenstehenden Kombinationen Beispiel: 1: PEFY-P32VMA3-E × 3 + PEFY-P32VMA3-E × 1 Beispiel: 2: PEFY-P32VMA3-E × 3 Beispiel: 3: PEFY-P25VMA3-E × 2 + PEFY-P32VMA3-E × 2 (Eine Kombination für ein PUMY-P112) Beispiel: 4: PEFY-P32VMA3-E × 3 + PLFY-P20VFM-E × 1 + SEZ-KD25VA × 1	Alle Kombinationen mit Ausnahme der obenstehenden Kombinationen Beispiel: 1: PEFY-P32VMA3-E × 3 + PEFY-P40VMA3-E × 1 Beispiel: 2: PEFY-P32VMA3-E × 2 + PEFY-P40VMA3-E × 1 Beispiel: 3: PEFY-P32VMA3-E × 4 (Eine Kombination für ein PUMY-P125) Beispiel: 4: PEFY-P32VMA3-E × 3 + PCFY-P40VKM-E × 1 + MSZ-SF15VA × 1

Beispiel: 1: Es wurde ein in die Decke eingelassenes Gerät gewählt, das nicht aus der Serie VMA3 stammt.  
Kombinationen mit einem in die Decke eingelassenen Gerät einer anderen Serie sind nicht möglich.  
Beispiel: 2: Die Anzahl der Geräte ist fehlerhaft.  
Beispiel: 3: Die Kombination gilt für ein Gerät mit anderer Leistung.  
Beispiel: 4: Die Kombination ist nicht "OK".

### 2.8. Anschließen eines PLFY-EP-VEM-E

Bei der PLFY-EP-VEM-E können bis zu 2 Einheiten angeschlossen werden.

Weitere Innengeräte\*1 können im Rahmen der angegebenen Gesamtleistung und der maximalen Anzahl anschließbarer Einheiten angeschlossen werden.

\*1 Mit Ausnahme von PEFY-P-VMA3-E und PEFY-P-VMH-EF.

## 2. Aufstellort

### 2.9. Freiraum für Belüftung und Bedienung

#### 2.9.1. Installation einer einzelnen Außenanlage

Die folgenden Mindestabmessungen gelten, außer für Max., was für Maximalabmessungen steht, wie angezeigt.

In jedem Einzelfall die jeweiligen Zahlenangaben beachten.

- ① Hindernisse nur auf der Rückseite (Fig. 2-3)
- ② Hindernisse nur auf der Rück- und Oberseite (Fig. 2-4)
  - Setzen Sie keine als Sonderzubehör erhältliche Luftauslassführungen dazu ein, den Luftstrom nach oben umzuleiten.
- ③ Hindernisse nur auf der Rückseite und auf beiden Seiten (Fig. 2-5)
- ④ Hindernisse nur auf der Vorderseite (Fig. 2-6)
  - Bei Verwendung einer als Sonderzubehör erhältlichen Luftauslassführung muss der Freiraum 500 mm oder mehr betragen.
- ⑤ Hindernisse nur auf der Vorder- und Rückseite (Fig. 2-7)
  - Bei Verwendung einer als Sonderzubehör erhältlichen Luftauslassführung muss der Freiraum 500 mm oder mehr betragen.
- ⑥ Hindernisse nur auf der Rückseite, beiden Seiten und der Oberseite (Fig. 2-8)
  - Setzen Sie keine als Sonderzubehör erhältliche Luftauslassführungen dazu ein, den Luftstrom nach oben umzuleiten.

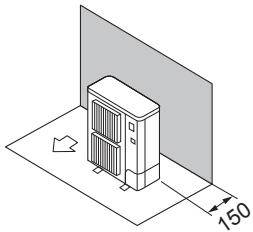


Fig. 2-3

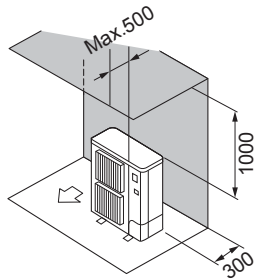


Fig. 2-4

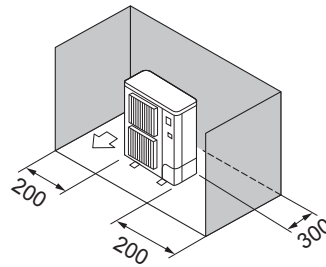


Fig. 2-5

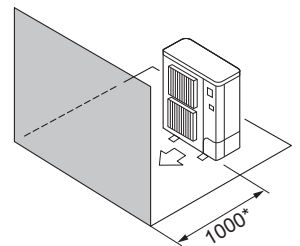


Fig. 2-6

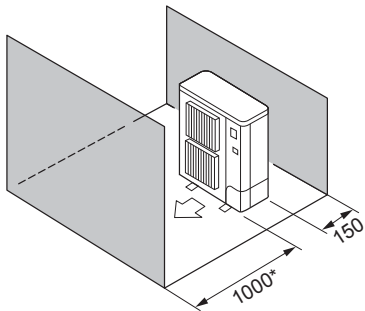


Fig. 2-7

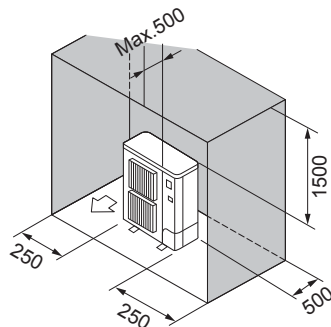


Fig. 2-8

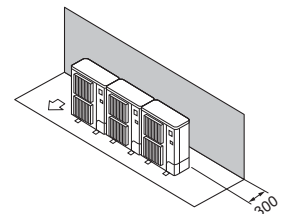


Fig. 2-9

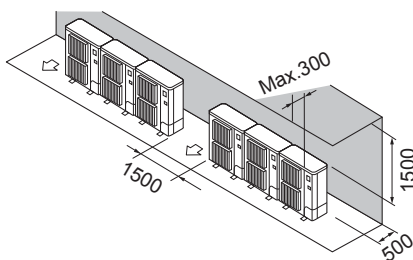


Fig. 2-10

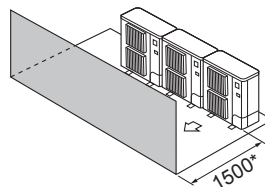


Fig. 2-11

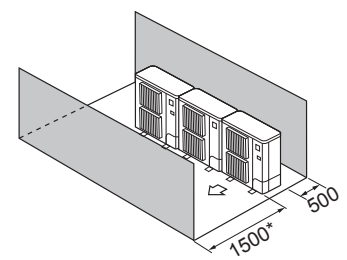


Fig. 2-12

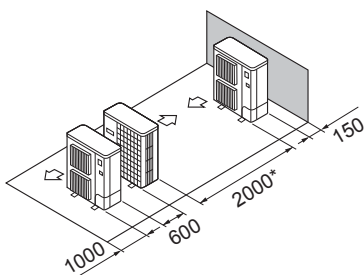


Fig. 2-13

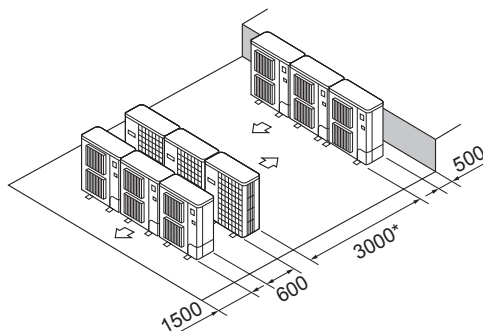


Fig. 2-14

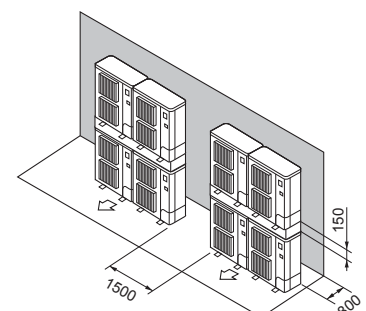


Fig. 2-15

#### 2.9.2. Installation mehrerer Außenanlagen

Zwischen den Geräten einen Abstand von mindestens 25 mm einräumen.

- ① Hindernisse nur auf der Rückseite (Fig. 2-9)
- ② Hindernisse nur auf der Rück- und Oberseite (Fig. 2-10)
  - Es dürfen nicht mehr als drei Anlagen nebeneinander installiert werden. Lassen Sie zusätzlich einen Freiraum wie dargestellt.
  - Setzen Sie keine als Sonderzubehör erhältliche Luftauslassführungen dazu ein, den Luftstrom nach oben umzuleiten.
- ③ Hindernisse nur auf der Vorderseite (Fig. 2-11)
  - Bei Verwendung einer als Sonderzubehör erhältlichen Luftauslassführung muss der Freiraum 1000 mm oder mehr betragen.
- ④ Hindernisse nur auf der Vorder- und Rückseite (Fig. 2-12)
  - Bei Verwendung einer als Sonderzubehör erhältlichen Luftauslassführung muss der Freiraum 1000 mm oder mehr betragen.
- ⑤ Einzelanlagen in paralleler Anordnung (Fig. 2-13)
  - Bei Verwendung einer als Sonderzubehör erhältlichen Luftauslassführung zur Umleitung des Luftstroms nach oben muss der Freiraum 1000 mm oder mehr betragen.
- ⑥ Mehrfachanlagen in paralleler Anordnung (Fig. 2-14)
  - Bei Verwendung einer als Sonderzubehör erhältlichen Luftauslassführung zur Umleitung des Luftstroms nach oben muss der Freiraum 1500 mm oder mehr betragen.
- ⑦ Anlagen in gestapelter Anordnung (Fig. 2-15)
  - Es können maximal zwei Anlagen übereinander gestapelt werden.
  - Es dürfen nicht mehr als zwei Anlagenstapel nebeneinander installiert werden. Lassen Sie zusätzlich einen Freiraum wie dargestellt.

## 2. Aufstellort

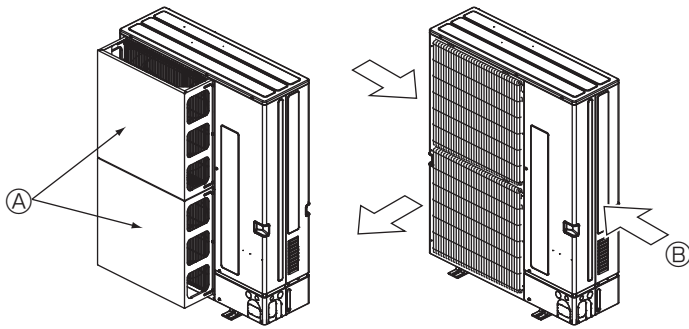


Fig. 2-16

Fig. 2-17

### 2.9.3. Aufstellung an windanfälligen Aufstellorten

Bei Anbringung der Außenanlage auf dem Dach oder einem anderen, nicht vor Wind geschützten Ort, richten Sie die Luftaustrittsöffnung so aus, dass sie nicht unmittelbar starkem Wind ausgesetzt ist. Wenn starker Wind direkt in die Luftaustrittsöffnung bläst, kann dadurch der normale Luftstrom beeinträchtigt werden, was zu Fehlfunktionen führen kann.

Nachstehend 2 Beispiele für Schutzmaßnahmen gegen starken Wind.

① Installieren Sie eine als Sonderzubehör erhältliche Luftauslassführung, wenn die Anlage an einem Aufstellort installiert ist, an dem die Gefahr besteht, dass starker Wind direkt in die Luftaustrittsöffnung bläst. (Fig. 2-16)

Ⓐ Luftauslassführung

② Bringen Sie die Anlage so an, dass die Abluft aus der Luftaustrittsöffnung im rechten Winkel zu derjenigen Richtung geführt wird, aus der saisonal bedingt starker Wind bläst. (Fig. 2-17)

Ⓑ Windrichtung

## 3. Einbau der Außenanlage

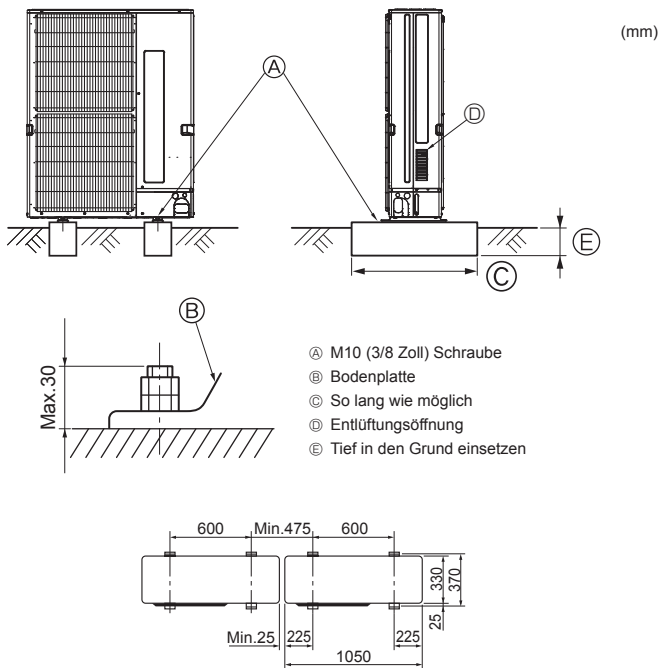


Fig. 3-1

• Die Anlage immer auf fester, ebener Oberfläche aufstellen, um Rattergeräusche beim Betrieb zu vermeiden. (Fig. 3-1)

<Spezifikationen des Fundaments>

Fundamentschraube	M10 (3/8 Zoll)
Betondicke	120 mm
Schraubenlänge	70 mm
Tragfähigkeit	320 kg

• Vergewissern, dass die Länge der Fundamentankerschraube innerhalb von 30 mm von der Unterseite der Bodenplatte liegt.

• Die Bodenplatte der Anlage mit 4 M10 Fundamentankerbolzen an tragfähigen Stellen sichern.

### Installation der Außenanlage

• Die Entlüftungsöffnung darf nicht blockiert werden. Wenn die Entlüftungsöffnung blockiert ist, wird der Betrieb behindert, und es besteht die Gefahr des Ausfalls der Anlage.

• Verwenden Sie bei der Installation der Anlage zusätzlich zur Anlagenbodenplatte bei Bedarf die Installationsöffnungen auf der Rückseite der Anlage zum Befestigen von Elektroleitungen usw. Verwenden Sie zum Installieren vor Ort Blechschrauben (ø5 × 15 mm oder weniger).

### ⚠ Warnung:

• Die Anlage muss sicher an einem Gebäudeteil, das ihr Gewicht tragen kann, installiert werden. Wenn die Anlage an einem Gebäudeteil mit zu geringer Festigkeit installiert wird, besteht die Gefahr, dass sie herabfällt und Verletzungen oder Schäden verursacht.

• Die Anlage muss entsprechend den Anweisungen installiert werden, um die Gefahr von Schäden durch Erdbeben oder Stürme oder starken Windeinfluss zu minimieren. Bei einer nicht ordnungsgemäß installierten Anlage besteht die Gefahr, dass sie herabfällt und Verletzungen oder Schäden verursacht.

### ⚠ Vorsicht:

• Installieren Sie das Gerät auf einem starren Unterbau, um während des Betriebs übermäßige Geräuschentwicklung und Vibrationen zu verhindern.

## 4. Installation der Kältemittelrohrleitung

### 4.1. Vorsichtsmaßnahmen bei Geräten, in denen das Kältemittel R410A verwendet wird

• Nachstehend nicht aufgeführte Vorsichtsmaßnahmen für die Verwendung von Klimaanlage mit dem Kältemittel R410A finden Sie auf Seite 25.

• Tragen Sie eine kleine Menge Esteröl/Ätheröl oder Alkylbenzol als Kältemittelöl auf die Konusanschlüsse auf.

• Verwenden Sie zur Verbindung der Kältemittelrohrleitungen für nahtlose Rohre aus Kupfer und Kupferlegierungen Kupferphosphor C1220. Verwenden Sie Kältemittelrohre mit Stärken wie in der folgenden Tabelle angegeben. Vergewissern Sie sich, dass die Rohre von innen sauber sind und keine schädlichen Verunreinigungen wie Schwefelverbindungen, Oxidationsmittel, Fremdkörper oder Staub enthalten.

### ⚠ Warnung:

Beim Installieren oder Umsetzen oder Warten der Klimaanlage darf nur das angegebene Kältemittel (R410A) zur Befüllung der Kältemittelleitungen verwendet werden. Vermischen Sie es nicht mit anderem Kältemittel und lassen Sie nicht zu, dass Luft in den Leitungen zurückbleibt.

Wenn sich Luft mit dem Kältemittel vermischt, kann dies zu einem ungewöhnlich hohen Druck in der Kältemittelleitung führen und eine Explosion oder andere Gefahren verursachen.

Die Verwendung eines anderen als des für das System angegebenen Kältemittels führt zu mechanischem Versagen, einer Fehlfunktion des Systems oder einer Beschädigung des Geräts. Im schlimmsten Fall kann sie ein schwerwiegendes Hindernis für die Aufrechterhaltung der Produktsicherheit darstellen.

ø6,35, ø9,52, ø12,7	Stärke 0,8 mm
ø15,88	Stärke 1,0 mm

• Verwenden Sie keine dünneren Rohre als oben angegeben.

• Die in der obigen Tabelle aufgeführten Stärken basieren auf japanischen Standards. Die Leitungen müssen entsprechend den lokalen Standards einen maximalen Betriebsdruck von 4,15 MPa [601 PSIG] oder höher haben.

## 4. Installation der Kältemittelrohrleitung

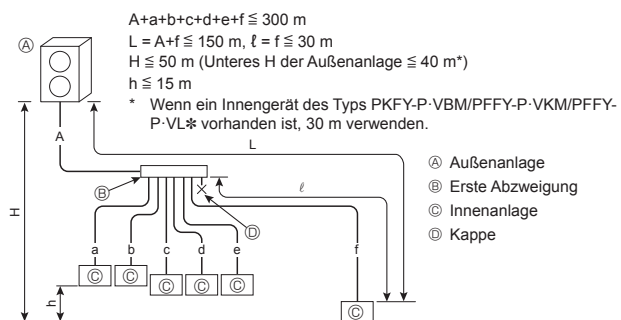
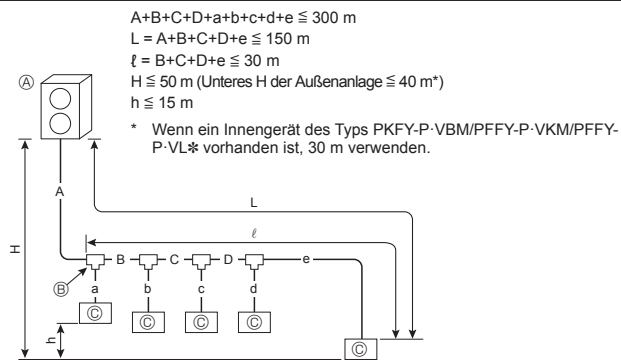


Fig. 4-1

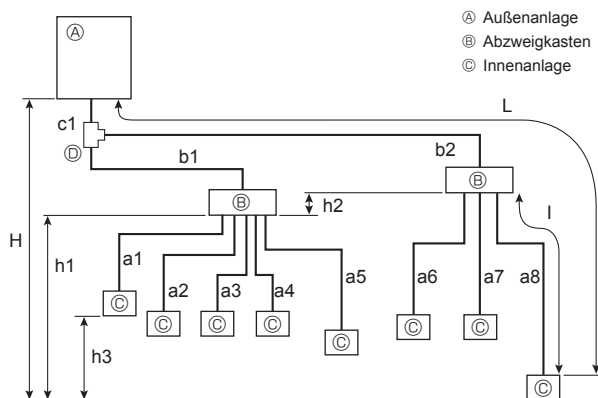


Fig. 4-2

Zulässige Länge (eine Richtung)	Gesamtrohrlänge	$c1 + b1 + b2 + a1 + a2 + a3 + a4 + a5 + a6 + a7 + a8 \leq 150$ m
	Äußerste Rohrlänge (L)	$c1 + b2 + a8 \leq 80$ m
	Rohrlänge zwischen Außengerät und Abzweigkästen	$c1 + b1 + b2 \leq 55$ m
	Von der ersten Verbindungsstelle (b2) am weitesten entfernter Abzweigkasten	$b2 \leq 30$ m
	Äußerste Rohrlänge hinter dem Abzweigkasten (I)	$a8 \leq 25$ m
	Gesamtrohrlänge zwischen Abzweigkästen und Innengeräten	$a1 + a2 + a3 + a4 + a5 + a6 + a7 + a8 \leq 95$ m
Zulässiger Höhenunterschied (eine Richtung)	Im Abschnitt Innen-/Außengerät (H)*1	$H \leq 50$ m (Wenn das Außengerät höher als das Innengerät eingerichtet ist) $H \leq 40$ m (Wenn das Außengerät niedriger als das Innengerät eingerichtet ist)
	Im Abschnitt Abzweigkasten/Innengerät (h1)	$h1 + h2 \leq 15$ m
	In jedem Zweiggerät (h2)	$h2 \leq 15$ m
	In jedem Innengerät (h3)	$h3 \leq 12$ m
Zahl der Krümmer	$ c1 + b1 + a1 ,  c1 + b1 + a2 ,  c1 + b1 + a3 ,  c1 + b1 + a4 ,  c1 + b1 + a5 ,  c1 + b2 + a6 ,  c1 + b2 + a7 ,  c1 + b2 + a8  \leq 15$	

\*1 Der Abzweigkasten muss auf der gleichen Ebene zwischen Außengerät und Innengerät angeordnet sein.

## 4.2. Rohrlänge und Höhenunterschied

### 4.2.1. Verbindung ohne Abzweigkasten (Fig. 4-1)

A	(mm)	
	A Flüssigkeitsrohr	B Gasrohr
PUMY-P112-140	$\varnothing 9,52$	$\varnothing 15,88$

B, C, D	(mm)	
	A Flüssigkeitsrohr	B Gasrohr
Gesamtleistung der Innenanlagen	$\varnothing 9,52$	$\varnothing 15,88$

a, b, c, d, e, f	(mm)	
	A Flüssigkeitsrohr	B Gasrohr
Modellnummer	$\varnothing 6,35$	$\varnothing 12,7$
15, 20, 25, 32, 40, 50	$\varnothing 9,52$	$\varnothing 15,88$
63, 80, 100, 125, 140		

E Abzweigungsbausatzmodell
CMY-Y62-G-E

F 4-Abzweigungskopf	G 8-Abzweigungskopf
CMY-Y64-G-E	CMY-Y68-G-E

\* Beim Anschließen eines ANSCHLUSSBAUSATZES (PAC-LV11M-J) und eines Innengeräts der M-Serie finden Sie Informationen zur Auswahl der Rohrgröße und Rohrlängelänge im Installationshandbuch für den ANSCHLUSSBAUSATZ.

### 4.2.2. Verbindung mit Abzweigkasten (Fig. 4-2)

- Dieses Gerät hat aufgeweitete Anschlüsse an jedem Innengerät, jedem Abzweigkasten und an den Seiten des Außengeräts.
- Die Ventilabdeckung des Außengeräts abnehmen, dann das Rohr anschließen.
- Zum Anschluss des Abzweigkastens und des Außengeräts werden Kältemittelrohrleitungen verwendet.

## 4. Installation der Kältemittelrohrleitung

### 4.2.3. Gemischtes System (City Multi-Innengeräte und Innengeräte der Serien M, S, P über Abzweigkasten) (Fig. 4-3)

#### 1. Bei Verwendung von Kästen mit 1 Abzweigung

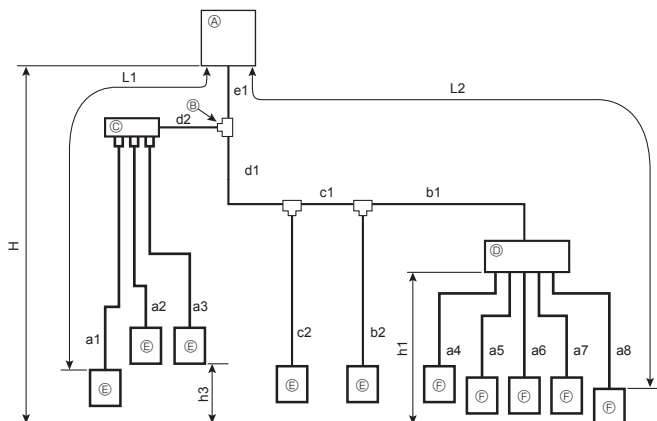


Fig. 4-3 (a)

- Ⓐ Außengerät
- Ⓑ Erste Verbindungsstelle
- Ⓒ Abzweigkopfstück (CMY)
- Ⓓ Abzweigkasten (PAC-MK-BC(B))
- Ⓔ City Multi-Innengerät\*
- Ⓕ Innengerät der Serie M, S, P, Zylinder oder Hydrobox
- \* Innengeräte des Typs PKFY-P-VBM, PFFY-P-VKM und PFFY-P-VL\* können nicht in einem Mischsystem verwendet werden.

Zulässige Länge (ein Weg)	Gesamtröhrlängung	$e1 + d1 + d2 + c1 + c2 + b1 + b2 + a1 + a2 + a3 + a4 + a5 + a6 + a7 + a8 \leq 300 \text{ m} *3$
	Am weitesten entfernte Röhrlängung (L1)	$e1 + d2 + a1$ oder $e1 + d1 + c1 + b2 \leq 85 \text{ m}$
	Am weitesten entfernte Röhrlängung. Über Abzweigkasten (L2)	$e1 + d1 + c1 + b1 + a8 \leq 80 \text{ m}$
	Röhrlängung zwischen Außengerät und Abzweigkasten	$e1 + d1 + c1 + b1 \leq 55 \text{ m}$
	Von der ersten Verbindungsstelle am weitesten entfernte Röhrlängung	$d1 + c1 + b1, d1 + c1 + b2, d1 + c2$ oder $d2 + c1 \leq 30 \text{ m}$
	Am weitesten entfernte Röhrlängung nach dem Abzweigkasten	$a8 \leq 25 \text{ m}$
Zulässige Höhendifferenz (ein Weg)	Gesamtröhrlängung zwischen Abzweigkasten und Innengeräten	$a4 + a5 + a6 + a7 + a8 \leq 95 \text{ m}$
	Im Innengerät/Außengerät-Abschnitt (H) *2	$H \leq 50 \text{ m}$ (Falls das Außengerät höher als das Innengerät installiert ist)
	Im Abzweigkasten/Innengerät-Abschnitt (h1)	$h1 \leq 40 \text{ m}$ (Falls das Außengerät niedriger als das Innengerät installiert ist)
Anzahl der Biegungen	In jedem Innengerät (h3)	$h3 \leq 15 \text{ m}$
		$ e1 + d2 + a1 ,  e1 + d2 + a2 ,  e1 + d2 + a3 ,  e1 + d1 + c2 ,  e1 + d1 + c1 + b2 ,  e1 + d1 + c1 + b1 + a4 ,  e1 + d1 + c1 + b1 + a5 ,  e1 + d1 + c1 + b1 + a6 ,  e1 + d1 + c1 + b1 + a7 ,  e1 + d1 + c1 + b1 + a8  \leq 15$

\*2: Der Abzweigkasten sollte auf der Höhe von Außengerät und Innengeräten installiert werden.  
 \*3: Bei Anschluss eines Zylinders oder einer Hydrobox beträgt die maximale Röhrlängung 150 m.

#### 2. Bei Verwendung von Kästen mit 2 Abzweigungen

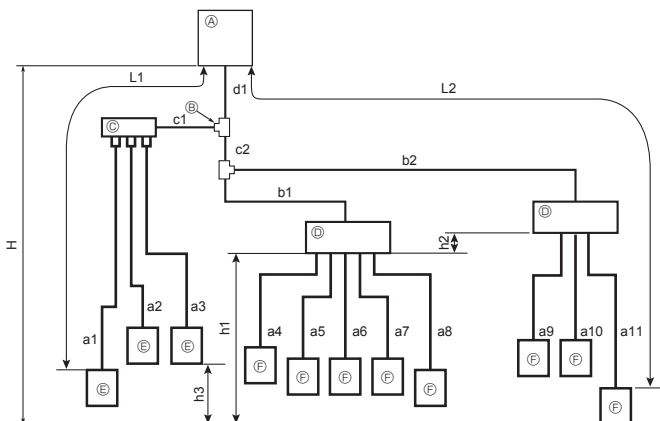


Fig. 4-3 (b)

- Ⓐ Außengerät
- Ⓑ Erste Verbindungsstelle
- Ⓒ Abzweigkopfstück (CMY)
- Ⓓ Abzweigkasten (PAC-MK-BC(B))
- Ⓔ City Multi-Innengerät\*
- Ⓕ Innengerät der Serie M, S, P, Zylinder oder Hydrobox
- \* Innengeräte des Typs PKFY-P-VBM, PFFY-P-VKM und PFFY-P-VL\* können nicht in einem Mischsystem verwendet werden.

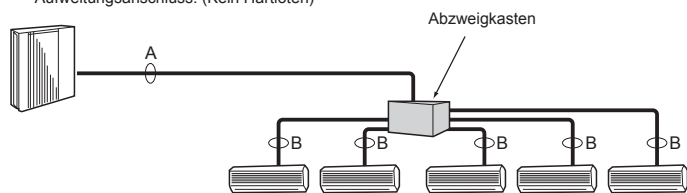
Zulässige Länge (ein Weg)	Gesamtröhrlängung	$d1 + c1 + c2 + b1 + b2 + a1 + a2 + a3 + a4 + a5 + a6 + a7 + a8 + a9 + a10 + a11 \leq 240 \text{ m} *3$
	Am weitesten entfernte Röhrlängung (L1)	$d1 + c1 + a1 \leq 85 \text{ m}$
	Am weitesten entfernte Röhrlängung. Über Abzweigkasten (L2)	$d1 + c2 + b2 + a11 \leq 80 \text{ m}$
	Röhrlängung zwischen Außengerät und Abzweigkasten	$d1 + c2 + b1 + b2 \leq 55 \text{ m}$
	Von der ersten Verbindungsstelle am weitesten entfernte Röhrlängung	$c2 + b2$ oder $c1 + a1 \leq 30 \text{ m}$
	Am weitesten entfernte Röhrlängung nach dem Abzweigkasten	$a11 \leq 25 \text{ m}$
	Vom Außengerät am weitesten entfernter Abzweigkasten	$d1 + c2 + b2 \leq 55 \text{ m}$
Zulässige Höhendifferenz (ein Weg)	Gesamtröhrlängung zwischen Abzweigkasten und Innengeräten	$a4 + a5 + a6 + a7 + a8 + a9 + a10 + a11 \leq 95 \text{ m}$
	Im Innengerät/Außengerät-Abschnitt (H) *2	$H \leq 50 \text{ m}$ (Falls das Außengerät höher als das Innengerät installiert ist)
	Im Abzweigkasten/Innengerät-Abschnitt (h1+h2)	$H \leq 40 \text{ m}$ (Falls das Außengerät niedriger als das Innengerät installiert ist)
	In jedem Abzweiggerät (h1)	$h1 + h2 \leq 15 \text{ m}$
Anzahl der Biegungen	In jedem Innengerät (h3)	$h3 \leq 15 \text{ m}$
		$ d1 + c1 + a1 ,  d1 + c1 + a2 ,  d1 + c1 + a3 ,  d1 + c2 + b1 + a4 ,  d1 + c2 + b1 + a5 ,  d1 + c2 + b1 + a6 ,  d1 + c2 + b1 + a7 ,  d1 + c2 + b1 + a8 ,  d1 + c2 + b2 + a9 ,  d1 + c2 + b2 + a10 ,  d1 + c2 + b2 + a11  \leq 15$

\*2: Der Abzweigkasten sollte auf der Höhe von Außengerät und Innengeräten installiert werden.  
 \*3: Bei Anschluss eines Zylinders oder einer Hydrobox beträgt die maximale Röhrlängung 150 m.

## 4. Installation der Kältemittelrohrleitung

### ■ Bei Verwendung eines 1-Abzweigkastens

Aufweitungsanschluss. (Kein Hartlöten)



### ■ Bei Verwendung von 2-Abzweigkästen

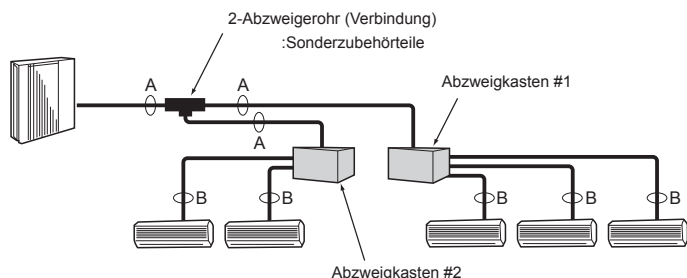


Fig. 4-4

(1) Ventilgröße für Außengerät

Für Flüssigkeit	ø9,52 mm
Für Gas	ø15,88 mm

(2) Ventilgröße für Abzweigkasten

GERÄT	Flüssigkeitsrohrleitung	Gasrohrleitung	Flüssigkeit (mm)	Gas (mm)
GERÄT A	Flüssigkeitsrohrleitung	Gasrohrleitung	ø6,35 mm	ø9,52 mm
	Gasrohrleitung	Flüssigkeitsrohrleitung	ø9,52 mm	ø6,35 mm
GERÄT B	Flüssigkeitsrohrleitung	Gasrohrleitung	ø6,35 mm	ø9,52 mm
	Gasrohrleitung	Flüssigkeitsrohrleitung	ø9,52 mm	ø6,35 mm
GERÄT C	Flüssigkeitsrohrleitung	Gasrohrleitung	ø6,35 mm	ø9,52 mm
	Gasrohrleitung	Flüssigkeitsrohrleitung	ø9,52 mm	ø6,35 mm
GERÄT D	Flüssigkeitsrohrleitung	Gasrohrleitung	ø6,35 mm	ø12,7 mm
	Gasrohrleitung	Flüssigkeitsrohrleitung	ø12,7 mm	ø6,35 mm
GERÄT E	Flüssigkeitsrohrleitung	Gasrohrleitung	ø6,35 mm	ø12,7 mm
	Gasrohrleitung	Flüssigkeitsrohrleitung	ø12,7 mm	ø6,35 mm

\* 3-Abzweige-Typ : nur Gerät A, B, C

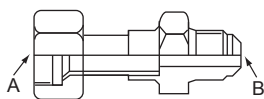


Fig. 4-5

Umwandlungsformel

1/4 F	ø6,35
3/8 F	ø9,52
1/2 F	ø12,7
5/8 F	ø15,88
3/4 F	ø19,05

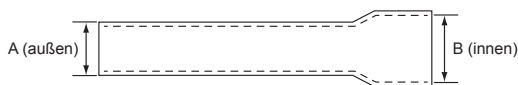


Fig. 4-6

## 4.3. Wahl der Rohrgröße

### 4.3.1. Verbindung ohne Abzweigkasten

Gasseite	Rohrgröße (mm)	Innenanlage		Außenanlage
		15-50	63-140	112-140
Flüssigkeitsseite	Rohrgröße (mm)	ø12,7	ø15,88	ø15,88
Flüssigkeitsseite	Rohrgröße (mm)	ø6,35	ø9,52	ø9,52

### 4.3.2. Verbindung mit Abzweigkasten (Fig. 4-4)

	A	B
Flüssigkeit (mm)	ø9,52	Die Größe des Rohrleitungsanschlusses ist je nach Typ und Leistung der Innengeräte unterschiedlich. Die Größe des Rohrleitungsanschlusses des Abzweigkastens an das Innengerät anpassen. Wenn die Größe des Rohrleitungsanschlusses des Abzweigkastens nicht mit der Größe des Rohrleitungsanschlusses des Innengerätes übereinstimmt, die als Sonderzubehör erhältlichen (verformten) Verbinder mit unterschiedlichem Durchmesser (Reduzierstücke) auf der Seite des Abzweigkastens verwenden. (Die verformten Verbinder direkt auf der Seite des Abzweigkastens anschließen.)
Gas (mm)	ø15,88	

### Verbinder mit unterschiedlichem Durchmesser (Zubehörteile) (Fig. 4-5)

Modellbezeichnung	Angeschlossene Rohrdurchmesser	Durchmesser A	Durchmesser B
	mm	mm	mm
MAC-A454JP	ø9,52 → ø12,7	ø9,52	ø12,7
MAC-A455JP	ø12,7 → ø9,52	ø12,7	ø9,52
MAC-A456JP	ø12,7 → ø15,88	ø12,7	ø15,88
PAC-493PI	ø6,35 → ø9,52	ø6,35	ø9,52
PAC-SG76RJ-E	ø9,52 → ø15,88	ø9,52	ø15,88

### Verbinder mit unterschiedlichem Durchmesser (Zubehörteile) (Fig. 4-6)

Modellbezeichnung	Angeschlossene Rohrdurchmesser	Außendurchmesser A	Innendurchmesser B
	mm	mm	mm
PAC-SG78RJ-E	ø9,52 → ø12,7	ø9,52	ø12,7
PAC-SG79RJ-E	ø12,7 → ø9,52	ø12,7	ø9,52
PAC-SG80RJ-E	ø12,7 → ø15,88	ø12,7	ø15,88
PAC-SG77RJ-E	ø6,35 → ø9,52	ø6,35	ø9,52
PAC-SG76RJ-E	ø9,52 → ø15,88	ø9,52	ø15,88

### Vorbereitung der Rohrleitung

① Die unten stehende Tabelle zeigt die technischen Daten von im Handel erhältlichen Rohren.

Außendurchmesser	Stärke der Isolierung	Isoliermaterial
mm	mm	
6,35	8	Hitzebeständiger Schaumkunststoff mit 0,045 spezifischem Gewicht.
9,52	8	
12,7	8	
15,88	8	

- ② Dafür sorgen, dass die 2 Kältemittelrohrleitungen gegen Kondenswasserbildung isoliert sind.
- ③ Der Biegungsradius des Kältemittelrohres muss 100 mm oder mehr betragen.

### ⚠ Vorsicht:

Darauf achten, die Isolierung mit der angegebenen Stärke zu verwenden. Eine übermäßige Stärke kann zu einer unkorrekten Installation des Innengerätes und des Abzweigkastens führen, und eine zu geringe Stärke kann das Tropfen von Kondenswasser verursachen.

2-Abzweige-Rohr (Verbinder) : Zubehörteile (Sie können je nach Anschlussverfahren das Geeignete auswählen.)

Modellbezeichnung	Anschlussverfahren
MSDD-50AR-E	Aufweiten
MSDD-50BR-E	Hartlöten

### ■ Installationsverfahren (2-Abzweige-Rohr (Verbinder))

Bitte lesen Sie in den Installationsanleitungen für MSDD-50AR-E und MSDD-50BR-E.

### ■ Rohrgröße (Außengerät-Abzweigkasten)

	A Flüssigkeitsrohr	B Gasrohr
PUMY-P112-140	ø9,52	ø15,88

### ■ Rohrgröße (Abzweigkasten-Innengerät) Bei Innengeräten der Baureihen M oder S \*1

Serie des Innengeräts	Modellnummer	A Flüssigkeitsrohr	B Gasrohr
Serie M oder Serie S	15~42	ø6,35	ø9,52
	50	ø6,35	ø12,7
	60	ø6,35	ø15,88
	71~80	ø9,52	ø15,88
Serie P	35, 50 *2	ø6,35	ø12,7
	60~100	ø9,52	ø15,88
Zylindereinheit	-	ø9,52	ø15,88
Hydrobox	-	ø9,52	ø15,88

\*1 Die Anordnung eines anschließbaren Innengerätes richtet sich nach den Gegebenheiten in der Region/dem Gebiet/dem Land.

\*2 Wird ein Innengerät vom Typ 35 oder 50 der P-Serie eingesetzt, verwenden Sie die Konusmutter am Innengerät. Die Konusmutter aus dem Innengerät-Sonderzubehör darf nicht verwendet werden. Wenn sie verwendet wird, kann es zu Gasaustritt oder sogar zum Lösen des Rohres aus der Konusmutter kommen.



## 4. Installation der Kältemittelrohrleitung

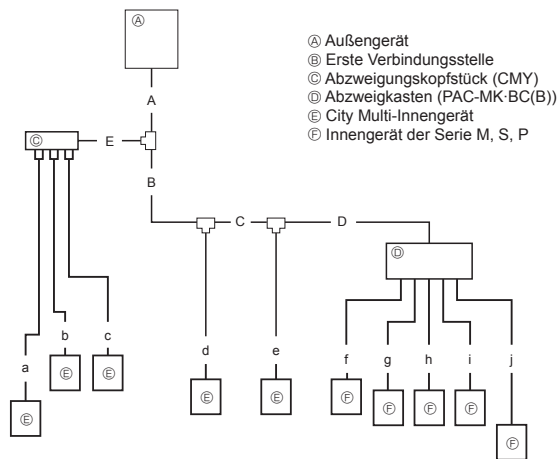


Fig. 4-7

### 4.3.3. Gemischtes System

(City Multi-Innengeräte und Innengeräte der Serien M, S, P über Abzweigkasten) (Fig. 4-7)

#### Rohrgröße

A, B, C, D, E

	A Flüssigkeitsrohr	B Gasrohr
PUMY-P112-140	ø 9,52	ø 15,88

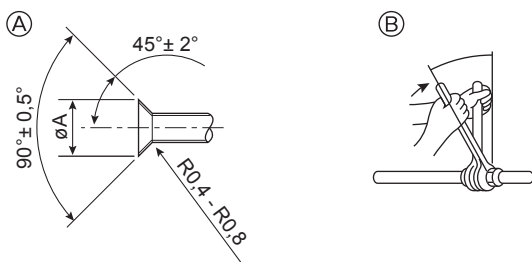
a, b, c-j

Serie des Innengeräts	Modellnummer	A Flüssigkeitsrohr	B Gasrohr
City Multi	15~50	ø 6,35	ø 12,7
	63~140	ø 9,52	ø 15,88
Serie M oder Serie S	15~42	ø 6,35	ø 9,52
	50	ø 6,35	ø 12,7
	60	ø 6,35	ø 15,88
	71~80	ø 9,52	ø 15,88
Serie P	35, 50 *1	ø 6,35	ø 12,7
	60~100	ø 9,52	ø 15,88
Zylindereinheit Hydrobox	-	ø 9,52	ø 15,88

Verbindungsstelle mit 2 Abzweigungen	CMY-Y62-G-E
Kopfstück mit 4 Abzweigungen	CMY-Y64-G-E
Kopfstück mit 8 Abzweigungen	CMY-Y68-G-E

\*1 Wird ein Innengerät vom Typ 35 oder 50 der P-Serie eingesetzt, verwenden Sie die Konusmutter am Innengerät. Die Konusmutter aus dem Innengerät-Sonderzubehör darf nicht verwendet werden. Wenn sie verwendet wird, kann es zu Gasaustritt oder sogar zum Lösen des Rohres aus der Konusmutter kommen.

## 4. Installation der Kältemittelrohrleitung



Ⓐ Abmessungen der Aufweitungsschnitte  
Ⓑ Anzugsdrehmoment für die Konusmutter

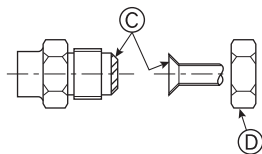


Fig. 4-8

Ⓐ (Fig. 4-8)

Kupferrohr O.D. (mm)	Aufweitungsabmessungen ØA Abmessungen (mm)
Ø6,35	8,7 - 9,1
Ø9,52	12,8 - 13,2
Ø12,7	16,2 - 16,6
Ø15,88	19,3 - 19,7

Ⓑ (Fig. 4-8)

Kupferrohr O.D. (mm)	Konusmutter O.D. (mm)	Anzugsdrehmoment (N·m)
Ø6,35	17	14 - 18
Ø6,35	22	34 - 42
Ø9,52	22	34 - 42
Ø12,7	26	49 - 61
Ø12,7	29	68 - 82
Ø15,88	29	68 - 82
Ø15,88	36	100 - 120

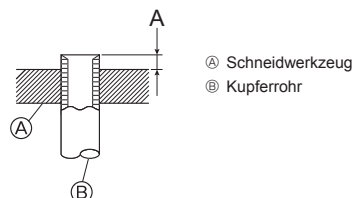
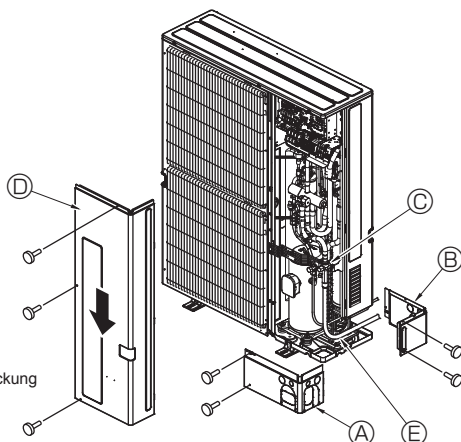


Fig. 4-9



Ⓐ Vordere Leitungsabdeckung  
Ⓑ Leitungsabdeckung  
Ⓒ Absperrventil  
Ⓓ Wartungspult  
Ⓔ Band-Radius: 100 mm - 150 mm

Fig. 4-10

### 4.4. Rohranschlüsse (Fig. 4-8)

- Schützen Sie die Kältemittelrohrleitungen ausreichend vor Kondensation und isolieren Sie sie, damit kein Wasser heruntertropft. (Flüssigkeitsrohr/Gasrohr)
- Verstärken Sie die Isolierung je nach Umgebung, in der die Kältemittelrohrleitungen verlegt sind. Andernfalls kann es auf der Oberfläche des Isolationsmaterials zu Kondensation kommen. (Wärmebeständigkeit des Isolationsmaterials: 120 °C, Stärke: 15 mm oder mehr)

\* Wenn die Kältemittelrohrleitungen an Orten mit hoher Temperatur oder Feuchtigkeit verlegt werden, wie zum Beispiel auf dem Dachboden, kann zusätzliche Isolierung erforderlich sein.

- Bringen Sie zum Isolieren der Kältemittelrohrleitungen wärmebeständigen Polyethylen-schaum zwischen dem Innengerät und dem Isolationsmaterial sowie zum Verfüllen aller Zwischenräume im Netz zwischen dem Isolationsmaterial ein. (Kondensation, die sich auf den Rohrleitungen bildet, kann zu Kondensation im Raum oder zu Verbrennungen bei Berührung der Rohrleitungen führen.)
- Die in der Anlage befindlichen Teile der Ablassrohre sollten mit Isoliermaterial aus Schaumstoff (spezifisches Gewicht 0,03 - 9 mm oder stärker) umwickelt werden.
- Vor dem Anziehen der Konusmutter eine dünne Schicht Kältemittel-Öl auf das Rohr und auf die Oberfläche des Sitzes an der Nahtstelle auftragen. Ⓐ
- Mit zwei Schraubenschlüsseln die Rohrleitungsanschlüsse fest anziehen. Ⓑ
- Nach Vornahme der Anschlüsse diese mit einem Leckdetektor oder Seifenlauge auf Gasaustritt untersuchen.
- Tragen Sie Kältemaschinenöl auf die gesamte Konusauflegefläche auf. Ⓒ
- Die Konusmutter für die nachstehende Rohrgröße verwenden. Ⓓ
- Achten Sie beim Biegen der Rohre sorgfältig darauf, sie nicht zu zerbrechen. Biegungradien von 100 mm bis 150 mm sind ausreichend.
- Achten Sie darauf, dass die Rohre keinen Kontakt mit dem Kompressor haben. Andernfalls könnten unnormale Geräusche oder Schwingungen auftreten.

- ① Die Rohre müssen ausgehend von der Innenanlage miteinander verbunden werden. Die Konusmutter müssen mit einem Drehmomentschlüssel festgezogen werden.
- ② Weiten Sie die Flüssigkeits- und Gasrohre auf, und tragen Sie etwas Kältemittelöl auf (Vor Ort aufzutragen).
- ③ Wenn normale Rohrdichtungen verwendet werden, beachten Sie Tabelle 3 zum Aufweiten von Rohren für Kältemittel R410A. Die Abmessungen-A können mit einem Messgerät zur Größenanpassung überprüft werden.

#### ⚠ Warnung:

**Schließen Sie die Kältemittelleitungen beim Installieren des Geräts fest an, bevor Sie den Kompressor einschalten.**

\* Informationen zum Anschließen des ANSCHLUSSBAUSATZES (PAC-LV11M-J) finden Sie im Installationshandbuch für den ANSCHLUSSBAUSATZ.

Tabelle 3 (Fig. 4-9)

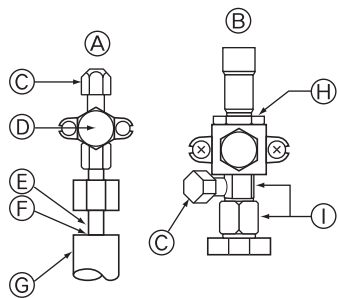
Kupferrohr O.D. (mm)	A (mm)	
	Aufweitungswerkzeug für R410A	Aufweitungswerkzeug für R22-R407C
Ø6,35	0 - 0,5	1,0 - 1,5
Ø9,52	0 - 0,5	1,0 - 1,5
Ø12,7	0 - 0,5	1,0 - 1,5
Ø15,88	0 - 0,5	1,0 - 1,5
Ø19,05	0 - 0,5	1,0 - 1,5

### 4.5. Kältemittelrohrleitung (Fig. 4-10)

Das Wartungspult Ⓓ (drei Schrauben) und die vordere Leitungsabdeckung Ⓐ (zwei Schrauben) sowie die rückwärtige Leitungsabdeckung Ⓑ (zwei Schrauben) abnehmen.

- ① Die Kältemittelrohrleitung-Verbindungen für die Innen-/Außenanlage vornehmen, wenn das Absperrventil der Außenanlage vollständig geschlossen ist.
- ② Luftreinigung unter Vakuum vom Innenaggregat und dem Rohrleitungsanschluss aus.
- ③ Kontrollieren Sie nach dem Anschließen der Kältemittelrohrleitungen die angeschlossenen Rohre und die Innenanlage auf Gasaustritt. (Siehe 4.6. Verfahren zum Prüfen der Rohre auf Dichtigkeit.)
- ④ Sorgen Sie für die Luftabsaugung unter Vakuum der Kältemittelleitungen durch die Wartungseinheit der Absperrventile für Flüssigkeit und Gas. Danach öffnen Sie die Absperrventile vollständig (sowohl die Flüssigkeits- als auch die Gas-Absperrventile). Auf diese Weise werden die Kältemittelleitungen von Innen- und Außenanlagen vollständig miteinander verbunden.
  - Wenn die Absperrventile geschlossen bleiben und die Anlage betrieben wird, werden Kompressor und Steuerventile beschädigt.
  - Suchen Sie nach Vornahme der Anschlüsse mit einem Gasaustrittsprüfgerät oder Seifenlauge nach Gasaustritt an den Rohrverbindungsstellen der Außenanlage.
  - Verdrängen Sie die Luft aus den Kältemittelleitungen nicht mit dem Kältemittel aus der Anlage.
  - Ziehen Sie nach Beendigung des Ventilbetriebs die Ventilkappen mit dem vorgeschriebenen Drehmoment an: 20 bis 25 N·m (200 bis 250 kgf·cm). Wird es versäumt, die Kappen wieder aufzusetzen und anzuziehen, tritt möglicherweise Kältemittel aus. Achten Sie auch darauf, die Innenseiten der Ventilkappen nicht zu beschädigen, da sie als Dichtung zur Verhinderung von Kältemittelaustritt dienen.
- ⑤ Dichten Sie die Seiten der Wärmeisolierung um die Leitungsanschlüsse herum mit einem Dichtungsmittel ab, um zu verhindern, dass Wasser in die Wärmeisolierung eindringt.

## 4. Installation der Kältemittelrohrleitung



- Ⓐ Absperrventil <Flüssigkeitsseite>
- Ⓑ Absperrventil <Gasseite>
- Ⓒ Ausgang der Wartungseinheit
- Ⓓ Abschnitt öffnen/schließen
- Ⓔ Hausrohrleitung
- Ⓕ Versiegelt wie auf der Gasseite
- Ⓖ Rohrabdeckung
- Ⓗ Hier keinen Schraubenschlüssel verwenden. Es kann Austritt von Kältemittel zur Folge haben.
- Ⓘ Hier zwei Schraubenschlüssel verwenden.

Fig. 4-11

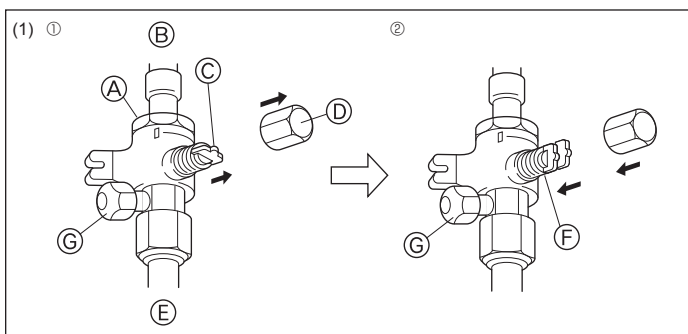


Fig. 4-12

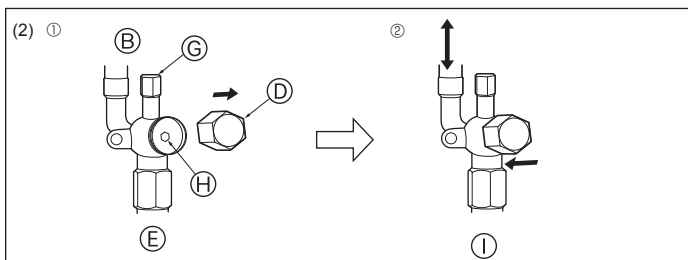
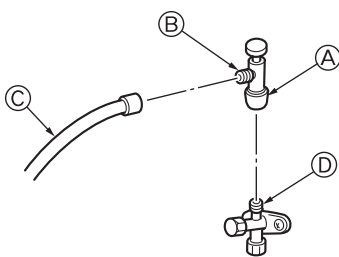


Fig. 4-13



- \* Die Abbildung links dient nur als Beispiel. Die Form des Sperrventils, die Position der Wartungseinheit usw. können je nach Modell abweichen.
- \* Drehen Sie nur den Abschnitt Ⓒ. (Ziehen Sie nicht die Verbindung zwischen den Abschnitten Ⓐ und Ⓑ fester an.)

- Ⓒ Füllschlauch
- Ⓓ Wartungseinheit

Fig. 4-14

### 4.6. Verfahren zum Prüfen der Rohre auf Dichtigkeit

- (1) Schließen Sie die Prüfwerkzeuge an.
  - Vergewissern Sie sich, dass die Absperrventile Ⓐ Ⓑ geschlossen sind und öffnen Sie sie nicht.
  - Sorgen Sie für den Druckaufbau in den Kältemittelleitungen durch die Ausgang der Wartungseinheit Ⓒ des Flüssigkeits-Absperrventils Ⓐ und des Gas-Absperrventils Ⓑ.
- (2) Bauen Sie den Druck nicht sofort auf den angegebenen Wert auf, sondern erhöhen Sie ihn nach und nach.
  - ① Bauen Sie einen Druck von 0,5 MPa (5 kgf/cm<sup>2</sup>G) auf, warten Sie fünf Minuten, und vergewissern Sie sich dann, dass der Druck nicht abfällt.
  - ② Bauen Sie einen Druck von 1,5 MPa (15 kgf/cm<sup>2</sup>G) auf, warten Sie fünf Minuten, und vergewissern Sie sich dann, dass der Druck nicht abfällt.
  - ③ Bauen Sie einen Druck von 4,15 MPa (41,5 kgf/cm<sup>2</sup>G) auf und messen Sie Umgebungstemperatur und Kältemitteldruck.
- (3) Wenn der angegebene Druck einen Tag lang gehalten wird und nicht abfällt, haben die Rohre den Test bestanden, und es entweicht keine Luft.
  - Wenn sich die Umgebungstemperatur um 1 °C ändert, ändert sich dabei der Druck um etwa 0,01 MPa (0,1 kgf/cm<sup>2</sup>G). Nehmen Sie die erforderlichen Korrekturen vor.
- (4) Wenn der Druck in den Schritten (2) oder (3) abfällt, entweicht Gas. Suchen Sie nach der Gasaustrittsstelle.

### 4.7. Verfahren zum Öffnen des Absperrventils

- (1) Gasseite (Fig. 4-12)
  - ① Die Kappe entfernen, den Handgriff nach vorne ziehen, und zum Öffnen um 1/4 Umdrehung gegen den Uhrzeigersinn drehen.
  - ② Sicherstellen, dass das Absperrventil vollständig offen ist, den Handgriff eindrücken, und die Kappe zurück in Ausgangsstellung drehen.
- (2) Flüssigkeitsseite (Fig. 4-13)
  - ① Entfernen Sie die Kappe und drehen Sie die Ventilstange mit einem 4 mm-Sechskantschlüssel bis zum Anschlag gegen den Uhrzeigersinn. Hören Sie auf zu drehen, wenn der Anschlag erreicht ist. (ø6,35: Etwa 4,5 Umdrehungen) (ø9,52: Etwa 10 Umdrehungen)
  - ② Sicherstellen, dass das Absperrventil vollständig offen ist, den Handgriff eindrücken, und die Kappe zurück in Ausgangsstellung drehen.

- Ⓐ Ventil
- Ⓑ Anlagenseite
- Ⓒ Handgriff
- Ⓓ Kappe
- Ⓔ Hausrohrleitungsseite
- Ⓕ Seite der offenen Stellung
- Ⓖ Wartungseinheit
- Ⓗ Schraubenschlüsselöffnung
- Ⓘ Kältemittel-Strömungsrichtung

Kältemittelrohre haben eine Schutzumwicklung

- Die Rohre können vor oder nach dem Anschließen bis zu einem Durchmesser von ø90 mit einer Schutzumwicklung versehen werden. Schneiden Sie das Loch zum Ausbrechen in der Rohrabdeckung entlang der Einkerbung aus, und umwickeln Sie die Rohre. Rohreingangsöffnung
- Dichten Sie den Rohreinlass um die Rohre herum mit Dichtmasse oder Spachtel, so dass keine Zwischenräume mehr vorhanden sind. (Wenn die Zwischenräume nicht abgedichtet sind, ist kein ausreichender Lärmschutz gegeben oder Wasser und Schmutz dringen in die Anlage ein und können ihren Ausfall verursachen.)

### Vorkehrungen bei Verwendung des Füllventils (Fig. 4-14)

- Ziehen Sie die Wartungseinheit bei der Installation nicht zu fest an, da sonst der Ventilkern verformt werden und sich lösen kann, wodurch möglicherweise ein Gasleck verursacht wird. Nachdem Sie Abschnitt Ⓒ in der gewünschten Richtung positioniert haben, drehen Sie zum Anziehen nur Abschnitt Ⓐ.
- Ziehen Sie nicht die Verbindung zwischen den Abschnitten Ⓐ und Ⓑ fester an, nachdem Sie Abschnitt Ⓐ angezogen haben.

## 4. Installation der Kältemittelrohrleitung

### 4.8. Zusätzliches Kühlmittel einfüllen

#### Zusätzliches Kühlmittel einfüllen

Kältemittel für die Gesamtröhrlösungen befindet sich bei Versand ab Werk nicht im Außengerät. Füllen Sie daher für jedes Kältemittelleitungssystem vor Ort zusätzliches Kältemittel nach. Geben Sie darüber hinaus zu Wartungszwecken die Größe und Länge jeder Flüssigkeitsrohrleitung und die Nachfüllmengen von zusätzlichem Kältemittel in den dafür vorgesehenen freien Stellen auf dem Schild "Kältemittelmenge" am Außengerät an.

#### Berechnung der Nachfüllmenge von zusätzlichem Kältemittel

- Berechnen Sie anhand der Flüssigkeitsrohrleitungsgröße und -länge der Gesamtröhrlösung die zusätzliche Nachfüllmenge.
  - Verwenden Sie zur Berechnung 11,2 kW für die Leistung des Zylinders oder der Hydrobox.
  - Berechnen Sie wie rechts abgebildet die Nachfüllmenge von zusätzlichem Kältemittel und füllen Sie das zusätzliche Kältemittel nach.
  - Runden Sie bei Mengen geringer als 0,1 kg die berechnete Nachfüllmenge von zusätzlichem Kältemittel auf.
- (Wenn die berechnete Nachfüllmenge zum Beispiel 6,01 kg beträgt, runden Sie die Nachfüllmenge auf 6,1 kg auf.)

<Zusätzliche Nachfüllung>

#### Berechnung der Nachfüllmenge von Kältemittel

Rohrgröße Flüssigkeitsrohr ø6,35 (m) × 19,0 (g/m)	+	Rohrgröße Flüssigkeitsrohr ø9,52 (m) × 50,0 (g/m)	+	Gesamtleistung angeschlossener Innengeräte ~ 8,0 kW	Menge für die Innengeräte 1,5 kg
				8,1 ~ 16,0 kW	2,5 kg
				16,1 kW ~	3,0 kg

#### Bei Versand ab Werk enthaltene Kältemittelmenge

Enthaltene Kältemittelmenge
4,8 kg

<Beispiel>

Außengerät Modell : P125

Innen 1 : P63 (7,1 kW)

2 : P40 (4,5 kW)

3 : P25 (2,8 kW)

4 : P20 (2,2 kW)

A : ø9,52 30 m

a : ø9,52 15 m

b : ø6,35 10 m

c : ø6,35 10 m

d : ø6,35 20 m

Bei nachstehenden Bedingungen:

Die Gesamtlänge jeder einzelnen Flüssigkeitsleitung ist wie folgt:

ø 9,52 : A + a = 30 + 15 = 45 m

ø 6,35 : b + c + d = 10 + 10 + 20 = 40 m

Die Gesamtleistung der angeschlossenen Innengeräte beträgt:

7,1 + 4,5 + 2,8 + 2,2 = 16,6

<Berechnungsbeispiel>

Nachfüllmenge von zusätzlichem Kältemittel

$$40 \times \frac{19,0}{1000} + 45 \times \frac{50,0}{1000} + 3,0 = 6,1 \text{ kg (aufgerundet)}$$

## 5. Verrohrung der Dränage

#### Dränagerohranschluss der Außenanlage

Wenn eine Abflussrohrleitung erforderlich ist, den Abflusstutzen oder die Ablaufpfanne (Zubehör) verwenden.

	P112-140
Abflusstutzen	PAC-SG61DS-E
Ablaufpfanne	PAC-SH97DP-E

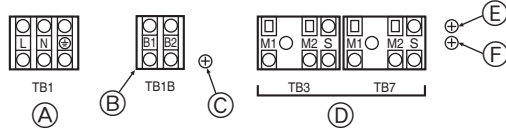
## 6. Elektroarbeiten

### 6.1. Vorsicht

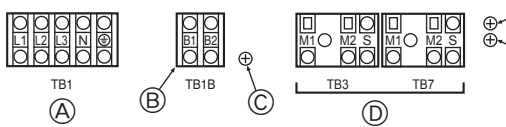
- Elektrische Arbeiten sind in Übereinstimmung mit den für elektrische Ausrüstung, Verkabelung usw. geltenden gesetzlichen Normen und Vorschriften sowie den Richtlinien der Elektrizitätswerke auszuführen.
- Die Reglerverdrahtung (im nachfolgenden Text Übertragungsleitung genannt) sollte (5 cm oder mehr) von den Stromquellenkabeln entfernt verlegt werden, um elektrische Störgeräusche durch die Stromquellenkabel zu vermeiden. (Übertragungsleitung und Stromquellenkabel nicht im gleichen Leitungsrohr verlegen.)
- Darauf achten, das Außenaggregat vorschriftsmäßig zu erden.
- Ausreichend Platz für die Verkabelung des Schaltkastens der Innen- und Außenaggregate frei lassen, da der Kasten bei der Wartung mitunter ausgebaut wird.
- Die Hauptstromquelle niemals an die Klemmleiste der Übertragungsleitung anschließen; andernfalls verschmoren elektrische Teile.
- Für die Übertragungsleitung zweiadriges Abschirmkabel verwenden. Die Verdrahtung von Übertragungsleitungen verschiedener Systeme mit dem gleichen mehradrigen Kabel vermindert die Übertragungs- und Empfangsqualität und führt zu Fehlfunktionen.
- Es sollte nur die angegebene Übertragungsleitung an die Klemmleiste für die Signalübertragung vom Außenaggregat angeschlossen werden.  
(Mit Außenaggregat anzuschließende Übertragungsleitung: Klemmleiste TB3 für Übertragungsleitung. Sonstige: Klemmleiste TB7 für Zentralregelung)  
Bei fehlerhaft ausgeführten Anschlüssen funktioniert das System nicht.
- Bei Anschluss an einen Regler der oberen Klasse oder Anschluss für Gruppenbetrieb mit verschiedenen Kältemittelsystemen muss eine übertragende Reglerleitung zwischen den Außenaggregaten installiert werden. Diese Reglerleitung ist zwischen den Klemmleisten für die Zentralregelung anzuschließen. (Zweiadriges Kabel ohne Polarität)  
Für Gruppenbetrieb mit verschiedenen Kältemittelsystemen ohne Anschluss an den Regler der oberen Klasse ist der an CN41 angeschlossene Kurzschlussstecker zu trennen und an CN40 für eines der Außenaggregate anzuschließen.
- Die Gruppe wird über die Fernbedienung eingestellt.
- Beim Anschließen eines ANSCHLUSSBAUSATZES (PAC-LV11M-J) und eines Innengeräts der M-Serie finden Sie Informationen im Installationshandbuch für den ANSCHLUSSBAUSATZ.
- Bei Anschluss eines Abzweigkastens unbedingt zuerst die Innengeräte und den Abzweigkasten einschalten und danach erst das Außengerät.

## 6. Elektroarbeiten

### <PUMY-P-VKM>



### <PUMY-P-YKM(E)>



- Ⓐ Stromquelle
- Ⓑ Stromversorgung für Abzweigkasten
- Ⓒ Schrauben Sie bitte den Elektroteilekasten an
- Ⓓ Übertragungsleitung
- Ⓔ Erdung für Klemmleiste (TB3)
- Ⓕ Schrauben Sie bitte den Elektroteilekasten an

Fig. 6-1

## 6.2. Reglerkasten und Kabelanschlusspunkte (Fig. 6-1)

- Die Übertragungsleitung der Innenanlage an die Klemmleiste für die Übertragungsleitung (TB3) anschließen oder die Leitungen zwischen den Außenanlagen oder die Leitungen zur Zentralsteuerung an die Klemmleiste der Zentralsteuerung (TB7) anschließen. Bei Verwendung eines abgeschirmten Kabels den Schutzleiter der Übertragungsleitung des Innengeräts an die Schraube (Ⓔ) anschließen und den Schutzleiter der Übertragungsleitung zwischen den Außengeräten und der Übertragungsleitung des zentralen Steuerungssystems an die Schutzklemme (S) des zentralen Steuerklemmblocks (TB7) anschließen. Außerdem muss bei Außengeräten, deren Netzanschlussstecker CN41 durch CN40 ersetzt wurde, die abgeschirmte Klemme (S) der Klemmleiste (TB7) des Zentralsteuerungssystems auch an die Schraube (Ⓔ) mittels beigefügter Zuführleitung angeschlossen werden.
- Die Klemmleiste (TB1B) dient zur Stromversorgung des Abzweigkastens (220 ~ 240 VAC, max 6 A).
- Netzleitung mit Pufferbuchse zum Schutz gegen Zugspannung (PG-Anschluss o.ä.) am Klemmkasten befestigen.

### ⚠ Vorsicht:

**Schließen Sie niemals die Übertragungsleitung für das Innengerät oder die Übertragungsleitung des zentralen Steuerungssystems an diese Klemmleiste (TB1B) an. Wenn die Übertragungsleitungen angeschlossen werden, kann die Klemmleiste für das Innengerät oder die Klemmleiste der Zentralsteuerung beschädigt werden.**

## 6.3. Übertragungskabelanschluss

### ① Steuerkabelarten

- Übertragungskabel für die Verdrahtung
  - Übertragungskabelarten: Abgeschirmte Kabel CVVS, CPEVS oder MVVS
  - Kabeldurchmesser: Mehr als 1,25 mm<sup>2</sup>
  - Maximale Elektroleitungslänge: Bis 200 m

### 2. M-NET-Fernbedienungskabel

Art des Fernbedienungskabels	Abgeschirmte Kabel CVVS, CPEVS oder MVVS
Kabeldurchmesser	0,5 bis 1,25 mm <sup>2</sup>
Bemerkungen	Verwenden Sie bei Überschreitung von 10 m ein weiteres Kabel mit den technischen Daten der Übertragungsleitung.

### 3. MA-Fernbedienungskabel

Art des Fernbedienungskabels	Ummanteltes, 2-adriges Kabel (nicht abgeschirmt) CVV
Kabeldurchmesser	0,3 bis 1,25 mm <sup>2</sup> (0,75 bis 1,25 mm <sup>2</sup> )*
Bemerkungen	Bis 200 m

\* Angeschlossen an einfache Fernbedienung.

### ② Verdrahtungsbeispiele

- Name der Steuereinheit, Symbol und zulässige Anzahl der Steuereinheiten.

Bezeichnung	Symbol	Zulässige Regleranzahl	
Außenaggregat Steuereinheit	OC	-	
Innenaggregat Steuereinheit	M-IC	PUMY-P112	1 bis 9 Anlagen je 1 OC*1
		PUMY-P125	1 bis 10 Anlagen je 1 OC*1
		PUMY-P140	1 bis 12 Anlagen je 1 OC*1
	A-IC	PUMY-P112	2 bis 8 Anlagen je 1 OC*1
	PUMY-P125		
	PUMY-P140		
Abzweigkasten	-	0 bis 2 Anlagen je 1 OC	
Fernbedienung	RC	M-NET RC*2	Maximal 12 Fernbedienungen für einen OC (Kann bei Verwendung eines Abzweigkastens nicht angeschlossen werden.)
		MA-RC	Maximal 2 je Gruppe

### Hinweis:

- \*1. Die Anzahl von anschließbaren Geräten kann begrenzt sein, z. B. durch die Kapazität eines Innengerätes oder die Leistungsaufnahme der Einzelgeräte.
- \*2. Verwenden Sie keine Lossnay-Steuerung (PZ-61DR-E, PZ-43SMF-E, PZ-52SF-E, PZ-60DR-E).

## Beispiel eines Gruppenbetriebssystems mit mehreren Außenaggregaten (Abschirmkabel und Adressangaben sind notwendig.)

<Beispiel der Übertragungskabelverlegung: Ohne Abzweigkasten>

### ■ Siehe Fig. 6-6 ab Fig. 6-2.

<Verkabelung und Adresseinstellungen: ohne Abzweigkastensystem>

- Verwenden Sie für Verbindungen zwischen dem Außengerät (OC) und dem Innengerät (M-IC) stets ein geschirmtes Kabel.
- Verbinden Sie die Klemmen M1 und M2 und die Schutzklemme des Übertragungskabel-Klemmblocks (TB3) jedes Außengeräts (OC) über ein Versorgungskabel mit den Klemmen M1 und M2 und der Klemme S des Übertragungskabel-Klemmblocks des Innengeräts (M-IC).
- Verbinden Sie die Anschlüsse 1 (M1) und 2 (M2) am Anschlusskasten der Übertragungskabel des Innenaggregates (M-IC), das auf die letzte angegebene Adresse innerhalb der gleichen Gruppe eingestellt ist, mit der Klemmleiste der Fernbedienung (M-NET RC).
- Verbinden Sie die Klemmen M1 und M2 und die Klemme S auf dem Klemmblock der zentralen Steuerung (TB7) für das Außengerät (OC).
- Der Überbrückungsstecker CN41 auf der Schalttafel ändert sich nicht.
- Schließen Sie die abgeschirmte Erdung der Übertragungsleitung der Innengeräte an die abgeschirmte Klemme (S) von (TB3) an und schließen Sie auch die Klemme (S) mittels der beigefügten Zuführleitung an die Schraube (Ⓔ oder Ⓕ) an.  
Verbinden Sie den Schutzleiter der Leitung zwischen den Außengeräten und der Übertragungsleitung des zentralen Steuersystems mit der Schutzklemme (S) von (TB7).
- Stellen Sie die Adressen wie folgt ein.

Aggregat	Bereich	Einstellung
M-IC (Hauptaggregat)	01 bis 50	Letzte Adresse der gleichen Gruppe der Innenaggregate einstellen
M-IC (Unteraggregat)	01 bis 50	Stellen Sie eine andere Adresse als die Adresse des IC Hauptaggregates in der gleichen Gruppe der Innenaggregate ein. Sie muss sich in der gleichen Sequenz mit dem IC (Hauptaggregat) befinden
Außenaggregat	51 bis 100	Letzte angegebene Adresse aller Innenaggregate plus 50 einstellen * Die Adresse wird, wenn sie auf "01-50" eingestellt wurde, automatisch "100".
M-NET R/C (Hauptaggregat)	101 bis 150	IC (Hauptaggregat) Adresse innerhalb der gleichen Adressen der Gruppe der Innenaggregate plus 100 einstellen
M-NET R/C (Unteraggregat)	151 bis 200	IC (Hauptaggregat) Adresse innerhalb der gleichen Adressen der Gruppe der Innenaggregate plus 150 einstellen
MA R/C	-	Nicht erforderliche Adresseneinstellung (Erforderliche Einstellung Haupt/Sub)

- Die Einstellung der Gruppenoperation verschiedener Innenaggregate kann, nach dem Einschalten der Netzspannung, durch die Fernbedienung (M-NET RC) erfolgen.
- Wenn Sie ein PWFY-Gerät anschließen
  - Führen Sie die Gruppeneinstellungen nicht für das PWFY-Gerät und die Innengeräte durch.
  - Das PWFY-Gerät kann nicht zur selben Zeit wie ein Lossnay-Gerät betrieben werden.
  - Benutzen Sie eine WMA-Fernbedienung für das PWFY-Gerät.
  - Nähere Informationen finden Sie im Installationshandbuch für das PWFY-Gerät.
- Anschließen eines Zylinders oder einer Hydrobox
  - Führen Sie die Gruppeneinstellungen nicht für den Zylinder oder die Hydrobox und die Innengeräte durch.

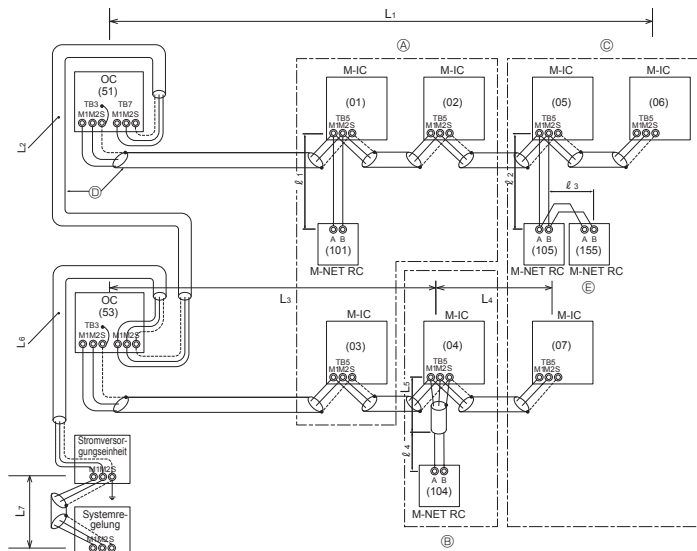
<Verkabelung und Adresseinstellungen: mit Abzweigkastensystem>

Siehe Installationsanleitung des Abzweigkastens.

## 6. Elektroarbeiten

<Beispiel für den Anschluss von Übertragungskabeln: Ohne Abzweigkasten>

### ■ M-NET-Fernbedienung



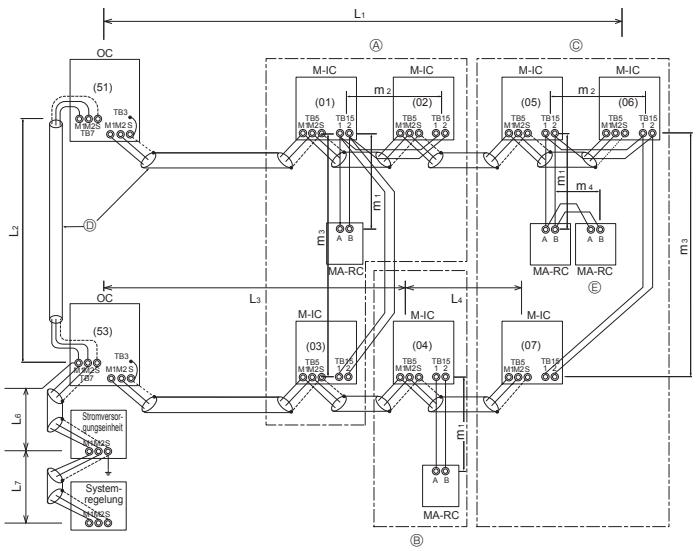
- Ⓐ : Gruppe 1
- Ⓑ : Gruppe 2
- Ⓒ : Gruppe 3
- Ⓓ : Geschirmtes Kabel
- Ⓔ : Unter-Fernbedienung
- ( ) : Adresse

#### <Zulässige Längen>

- Max. Länge über Außengeräte:  $L_1 + L_2 + L_3 + L_4$  und  $L_1 + L_2 + L_3 + L_5$  und  $L_1 + L_2 + L_6 + L_7 \leq 500$  m (1,25 mm<sup>2</sup> oder mehr)
- Max. Übertragungskabellänge:  $L_1$  und  $L_3 + L_4$  und  $L_3 + L_5$  und  $L_2 + L_6$  und  $L_7 \leq 200$  m (1,25 mm<sup>2</sup> oder mehr)
- Kabellänge für Fernbedienung:  
 $l_1, l_2, l_2 + l_3, l_4 \leq 10$  m (0,5 bis 1,25 mm<sup>2</sup>)  
 Bei einer Länge von über 10 m ein geschirmtes Kabel mit 1,25 mm<sup>2</sup> Durchmesser verwenden. Die Länge dieses Abschnitts ( $L_8$ ) sollte in die Berechnung der maximalen Länge und der Gesamtlänge einbezogen werden.

Fig. 6-2

### ■ MA-Fernbedienung

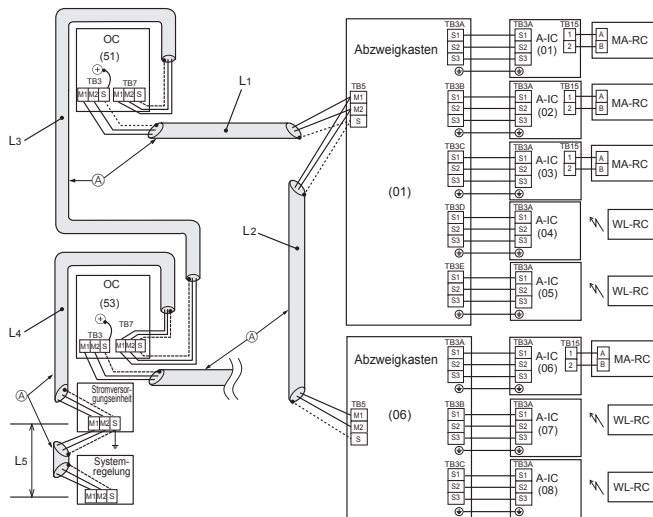


#### <Zulässige Längen>

- Max. Länge über Außengerät (M-NET-Kabel):  $L_1 + L_2 + L_3 + L_4$  und  $L_1 + L_2 + L_6 + L_7 \leq 500$  m (1,25 mm<sup>2</sup> oder mehr)
- Max. Länge des Übertragungskabels (M-NET-Kabel):  $L_1$  und  $L_3 + L_4$  und  $L_2 + L_6$  und  $L_7 \leq 200$  m (1,25 mm<sup>2</sup> oder mehr)
- Länge des Fernbedienungskabels:  $m_1$  und  $m_1 + m_2 + m_3$  und  $m_1 + m_2 + m_3 + m_4 \leq 200$  m (0,3 bis 1,25 mm<sup>2</sup>)

Fig. 6-3

<Beispiel für den Anschluss von Übertragungskabeln: Verbindung mit Abzweigkasten>



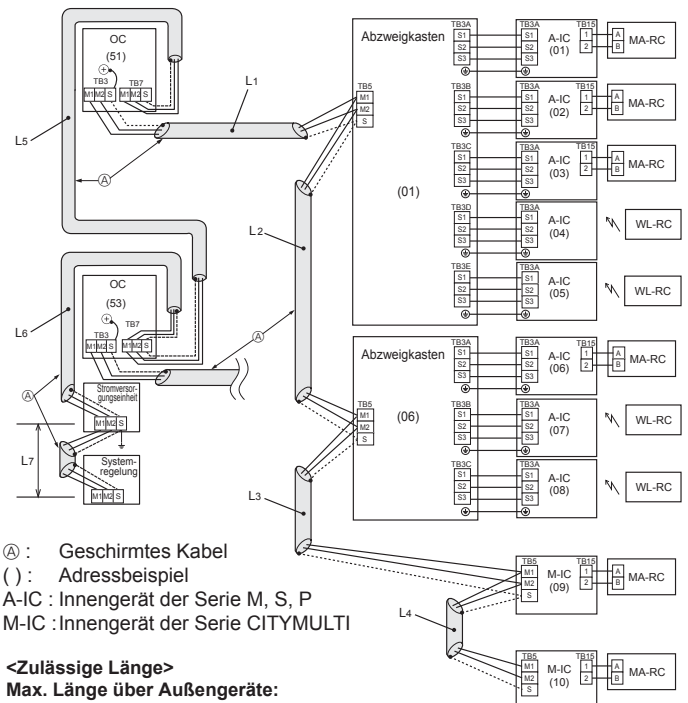
- Ⓐ : Geschirmtes Kabel
- ( ) : Adressbeispiel
- A-IC : Innengerät der Serie M, S, P

#### <Zulässige Längen>

- Max. Länge über Außengeräte (M-NET-Kabel):  
 $L_1 + L_2 + L_3 + L_4 + L_5 \leq 500$  m (1,25 mm<sup>2</sup> oder mehr)
- Max. Länge des Übertragungskabels (M-NET-Kabel):  
 $L_1 + L_2, L_3 + L_4, L_5 \leq 200$  m (1,25 mm<sup>2</sup> oder mehr)

Fig. 6-4

<Beispiel für den Anschluss von Übertragungskabeln: Mischsystem>



- Ⓐ : Geschirmtes Kabel
- ( ) : Adressbeispiel
- A-IC : Innengerät der Serie M, S, P
- M-IC : Innengerät der Serie CITYMULTI

#### <Zulässige Länge>

- Max. Länge über Außengeräte:  
 $L_1 + L_2 + L_3 + L_4 + L_5 + L_6 + L_7 \leq 500$  m (1640 ft.) (1,25 mm<sup>2</sup> oder mehr)
- Max. Übertragungskabellänge:  
 $L_1 + L_2 + L_3 + L_4, L_5 + L_6, L_7 \leq 200$  m (656 ft.) (1,25 mm<sup>2</sup> oder mehr)

Fig. 6-5

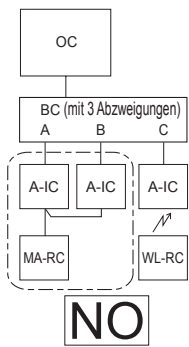
#### Hinweis:

Der Zylinder oder die Hydrobox kann nicht mit einem anderen Gerät als einem Zylinder oder einer Hydrobox kombiniert werden.  
 Wenn der Zylinder oder die Hydrobox angeschlossen ist, ist es außerdem nicht möglich, mehrere Außengeräte gemeinsam zu betreiben.

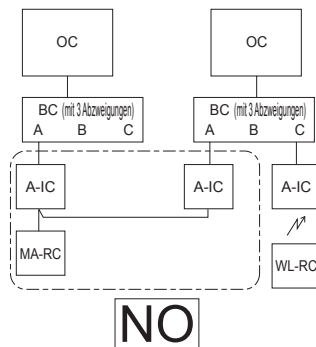
## 6. Elektroarbeiten

<Fehlerhafte Systeme>

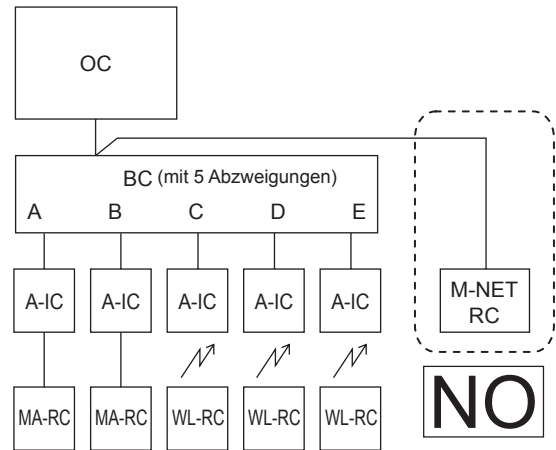
1. Gruppenbetrieb durch einzelne Fernbedienung



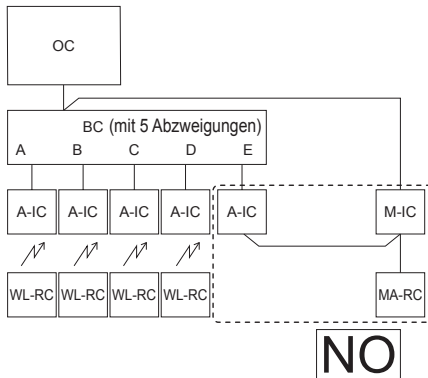
2. Gruppenbetrieb mit verschiedenen Kältemittelsystemen



3. Verbindung der M-NET-Fernbedienung



4. Gruppenbetrieb mit A-Steuersystem und M-NET-Steuersystem.



1. Mehrere Innengeräte können nicht mit einer einzelnen Fernbedienung bedient werden.
2. Verschiedene Kältemittelsysteme können nicht miteinander verbunden werden.
3. Es kann keine M-NET-Fernbedienung verbunden werden.
4. Verschiedene Steuersysteme (A-IC/M-IC) können nicht miteinander verbunden werden.

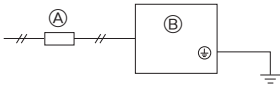
## 6. Elektroarbeiten

### 6.4. Verdrahtung der Hauptspannungsversorgung und Kapazität der Einheiten

Schematische Darstellung der Verdrahtung: Ohne Abzweigkasten (Beispiel) (Fig. 6-6)

#### ■ PUMY-P-VKM4

~N 220-230-240 V 50 Hz  
~N 220-230 V 60 Hz



#### ■ PUMY-P-YKM(E)4

- YKM4  
3N~380-400-415 V 50 Hz  
3N~380 V 60 Hz
- YKME4  
3N~380-400-415 V 50 Hz

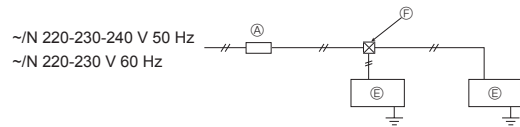
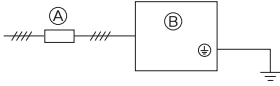


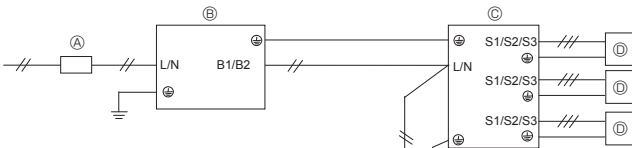
Fig. 6-6

Schematische Darstellung der Verdrahtung: bei Verwendung eines Abzweigkastens (Beispiel) (Fig. 6-7)

<Bei Stromversorgung durch das Außengerät>

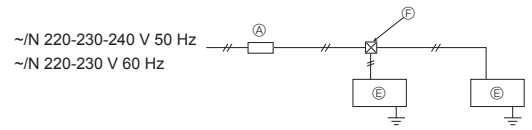
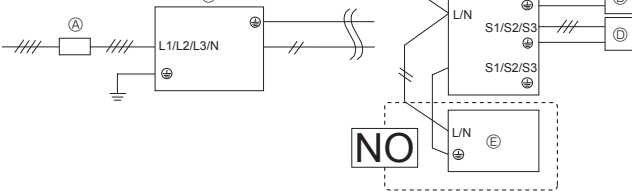
#### ■ PUMY-P-VKM4

~N 220-230-240 V 50 Hz  
~N 220-230 V 60 Hz



#### ■ PUMY-P-YKM(E)4

- YKM4  
3N~380-400-415 V 50 Hz  
3N~380 V 60 Hz
- YKME4  
3N~380-400-415 V 50 Hz



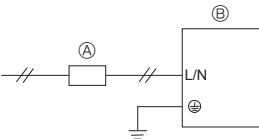
- Ⓐ Leitungsunterbrecher (Erdschlussunterbrecher)
- Ⓑ Außenanlage
- Ⓒ Abzweigkasten
- Ⓓ "A-Steuerung" der Innenanlage (Innenanlage der Serie M, S, P)
- Ⓔ M-NET-Regler-Innenanlage (City Multi-Innenanlage)
- Ⓕ Einziehdose

\* Das Innengerät mit M-NET-Steuerung kann nicht von einem Außengerät mit Strom versorgt werden und benötigt eine separate Stromversorgung.

<Bei separater Stromversorgung>

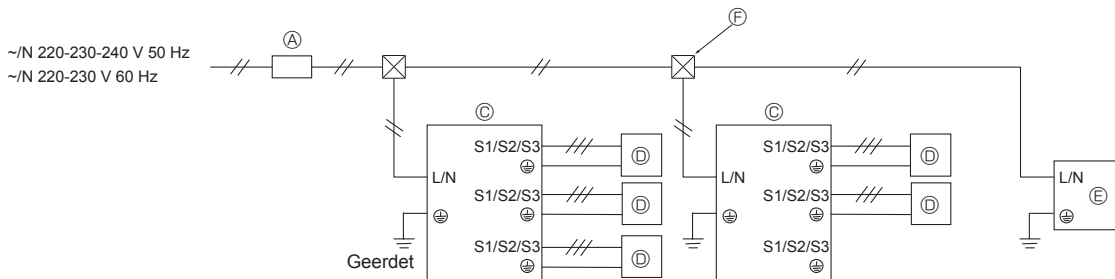
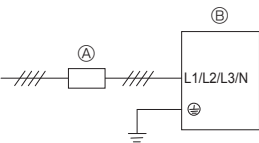
#### ■ PUMY-P-VKM4

~N 220-230-240 V 50 Hz  
~N 220-230 V 60 Hz



#### ■ PUMY-P-YKM(E)4

- YKM4  
3N~380-400-415 V 50 Hz  
3N~380 V 60 Hz
- YKME4  
3N~380-400-415 V 50 Hz



Hinweis: Reaktor-BOX (Sonderzubehör)

Wenn das Produkt zu einem anderen Zweck als für den professionellen Einsatz verwendet wird, wird möglicherweise eine Reaktor-BOX benötigt.

Außengerät	Stromversorgung des Abzweigkastens	
	Stromversorgung vom Außengerät	Separate Stromversorgung
1-phasige Stromversorgung	Nicht erforderlich	Erforderlich
3-phasige Stromversorgung	Erforderlich	Erforderlich

Fig. 6-7



## 6. Elektroarbeiten

### Drahtstärke Drahtquerschnittsfläche der Kabel der Hauptstromversorgung und der Ein-/Aus-Schalter

<Bei separater Stromversorgung>

Modell		Stromversorgung	Minimum Drahtquerschnittsfläche (mm <sup>2</sup> )			Unterbrecher Schutzschalter für Verdrahtung *1	Unterbrecher Schutzschalter für Leckstrom
			Hauptkabel	Verteilung	Erdung		
Außenaggregat	P112-140VKM4	~N 220-230-240 V 50 Hz ~N 220-230 V 60 Hz	6	–	6	32 A	32 A, 30 mA, 0,1 Sek. oder weniger
	P112-140YKM4	3N~380-400-415 V 50 Hz 3N~380 V 60 Hz	1,5	–	1,5	16 A	16 A, 30 mA, 0,1 Sek. oder weniger
	P112-140YKME4	3N~380-400-415 V 50 Hz					

<Bei Stromversorgung durch das Außengerät>

Modell		Stromversorgung	Minimum Drahtquerschnittsfläche (mm <sup>2</sup> )			Unterbrecher Schutzschalter für Verdrahtung *1	Unterbrecher Schutzschalter für Leckstrom
			Hauptkabel	Verteilung	Erdung		
Außenaggregat	P112-140VKM4	~N 220-230-240 V 50 Hz ~N 220-230 V 60 Hz	6	–	6	40 A	40 A, 30 mA, 0,1 Sek. oder weniger
	P112-140YKM4	3N~380-400-415 V 50 Hz 3N~380 V 60 Hz	2,5	–	2,5	20 A	20 A, 30 mA, 0,1 Sek. oder weniger
	P112-140YKME4	3N~380-400-415 V 50 Hz					

\*1 An jedem der einzelnen Pole einen nichtschmelzbaren Trennschalter (NF) oder einen Erdschlussunterbrecher (NV) mit einem Kontaktabstand von mindestens 3,0 mm einsetzen.

<Innenanlagen>

Gesamtbetriebsstrom des Innengeräts	Minimum - Drahtstärke (mm <sup>2</sup> )			Erdschlussunterbrecher *1	Hausschalter (A)		Unterbrecher Schutzschalter für Verdrahtung (NFB)
	Hauptkabel	Verteilung	Erdung		Leistung	Sicherung	
F0 = 16 A oder weniger *2	1,5	1,5	1,5	20 A Stromempfindlichkeit *3	16	16	20
F0 = 25 A oder weniger *2	2,5	2,5	2,5	30 A Stromempfindlichkeit *3	25	25	30
F0 = 32 A oder weniger *2	4,0	4,0	4,0	40 A Stromempfindlichkeit *3	32	32	40

IEC61000-3-3 für max. zulässige System-Impedanz anwenden.

\*1 Der Erdschlussunterbrecher sollte Umwandlerschaltung unterstützen.

Der Erdschlussunterbrecher sollte die Verwendung des Hausschalters oder Leitungsunterbrechers kombinieren.

\*2 Bitte wählen Sie den größeren Wert von F1 oder F2 als Wert für F0.

F1 = Gesamtmaximalbetriebsstrom der Innengeräte × 1,2

F2 = {V1 × (Menge von Typ 1)/C} + {V1 × (Menge von Typ 2)/C} + {V1 × (Menge von Typ 3)/C} + ... + {V1 × (Menge von Typ 14)/C}

Verbinden Sie mit dem Abzweigkasten (PAC-MK-BC(B))

Innengerät		V1	V2
Typ 1	PEAD-RP-JA(L)Q, PEAD-M-JA(L), PEY-(S)P-JA	26,9	2,4
Typ 2	SEZ-KD-VAQ(L), SEZ-M-DA(L), PCA-RP-KAQ, PCA-M-KA, PLA-ZRP-BA, PLA-RP-EA, SLZ-KF-VA2, SLZ-M-FA, PLY-(S)P-BA, SEZ-KH-VALT, PCY-(S)P-KA	19,8	
Typ 3	MLZ-KA-VA, SLZ-KA-VAQ(L)3	9,9	
Typ 4	MFZ-KJ-VE2, MSXY-FJ-VE, MSZ-LN-VG, MSZ-AP-VG, MLZ-KP-VF	7,4	
Typ 5	MSZ-FH-VE, MSZ-SF-VE, MSZ-EF-VE, MSZ-SF-VA, MSZ-GF-VE, MSZ-GE-VA, MSZ-EF-VA, MSY-GE-VA, MSY-EF-VA, MSZ-FH-VA, MSY-GH-VA, MSZ-FK-VA, MSZ-GC-NA	6,8	3,0 5,0 *5
Typ 6	Abzweigkasten (PAC-MK-BC(B))	5,1	
Typ 7	ecodan Generation C		

\*5 Dieser Wert kann bei einem lokal angeschlossenen Aktuator ansteigen.

Verbinden Sie mit dem Anschlussbausatz (PAC-LV11M-J)

Innengerät		V1	V2
Typ 8	MFZ-KJ-VE2	7,4	2,4
Typ 9	MSZ-GE-VA, MSZ-SF-VA, MSZ-SF-VE, MSZ-EF-VE, MSZ-FH-VE, MSY-GE-VA, MSY-GH-VA	6,8	
Typ 10	Anschlussbausatz (PAC-LV11M-J)	3,5	

Innengerät		V1	V2
Typ 11	PEFY-VMA(L)-E, PEFY-VMA3-E	38,0	1,6
Typ 12	PMFY-VBM-E, PLFY-VEM-E, PLFY-VFM-E1, PEFY-VMS1(L)-E, PCFY-VKM-E, PKFY-VHM-E, PKFY-VKM-E, PFFY-VKM-E2, PFFY-VLRMM-E, PLFY-EP-VEM-E, PMFY-P-VFM-D	19,8	2,4
Typ 13	PKFY-VBM-E	3,5	2,4
Typ 14	PLFY-VLMD-E, PEFY-VMR-E-L/R, PDFY-VM-E, PEFY-VMH-E, PFFY-VLEM-E, PFFY-VLRM-E, PWFY-VM-E1(2)-AU, PEFY-P-VMH-E-F, GUF-RD(H)4	0,0	0,0

C: Mehrfaches des Auslösestroms bei einer Auslösezeit von 0,01 s

Entnehmen Sie "C" aus den Auslöseeigenschaften der Sicherung.

## 6. Elektroarbeiten

<Beispiel der Berechnung von "F2">

Bedingung  $PEFY-VMS \times 4 + PEFY-VMA \times 1, C = 8$  (siehe Beispieltabelle rechts)

$$F2 = 19,8 \times 4/8 + 38 \times 1/8 = 14,65$$

→ 16-A-Sicherung (Auslösestrom =  $8 \times 16$  A bei 0,01 s)

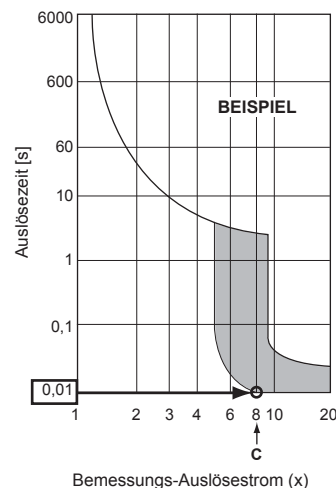
\*3 Die Stromempfindlichkeit wird anhand der folgenden Formel berechnet.

$$G1 = V2 \times (\text{Anzahl von Typ 1}) + V2 \times (\text{Anzahl von Typ 2}) + V2 \times (\text{Anzahl von Typ 3}) + \dots + V2 \times (\text{Anzahl von Typ 14}) + V3 \times (\text{Kabellänge[km]})$$

G1	Stromempfindlichkeit
30 oder weniger	30 mA 0,1 Sek. oder weniger
100 oder weniger	100 mA 0,1 Sek. oder weniger

Kabelquerschnitt	V3
1,5 mm <sup>2</sup>	48
2,5 mm <sup>2</sup>	56
4,0 mm <sup>2</sup>	66

Beispieltabelle



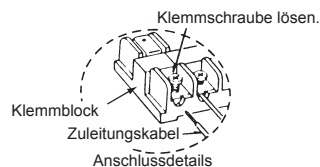
- Berücksichtigen Sie bei der Verkabelung und den Anschlüssen die Umgebungsbedingungen (Umgebungstemperatur, direktes Sonnenlicht, Regenwasser, usw.)
- Die Leitungsstärke ist der Minimalwert für die Verkabelung mit Metallleitern. Um Spannungsabfall zu vermeiden, muss die Stärke der Netzanschlussleitung eine Nummer größer gewählt werden. Die Netzstromspannung sollte auf keinen Fall um mehr als 10% abfallen.
- Bestimmte Verkabelungsvorschriften sollten die örtlichen Vorschriften einhalten.
- Kabel für die Stromversorgung von Außengeräten sollten nicht dünner sein als flexible Leitungen mit Polychloropren-Mantel (Nr. 60245 nach IEC-Norm 57). Verwenden Sie z. B. YZW-Kabel.
- Eine Erdleitung, die länger als andere Kabel ist, installieren.

### ⚠️ Warnung:

- Immer nur Drähte der vorgeschriebenen Sorte zur Verbindung verwenden und die Verbindung so herstellen, dass keine Kräfte von außen auf die Klemmenanschlüsse einwirken. Wenn die Verbindungen nicht richtig hergestellt werden, kann Überhitzung oder Feuer hervorgerufen werden.
- Darauf achten, dass ein Überstromschutzschalter der geeigneten Art verwendet wird. Bitte beachten, dass evtl. entstehender Überstrom einen gewissen Anteil Gleichstrom aufweisen kann.
- Bringen Sie die Abdeckungen des Klemmblocks für das Außengerät unbedingt sicher an. Andernfalls können Staub, Feuchtigkeit oder ähnliches Feuer oder einen Kurzschluss auslösen.

### ⚠️ Vorsicht:

- Achten Sie sorgfältig auf die richtige Verkabelung.
- Ziehen Sie die Klemmschrauben fest an, um ein Lockern zu vermeiden.
- Ziehen Sie nach dem Anziehen leicht an den Kabeln, um den festen Sitz zu prüfen.
- Bei einem fehlerhaften Anschluss des Verbindungskabels am Klemmblock funktioniert das Gerät nicht ordnungsgemäß.
- An einigen Einbauplätzen muss eventuell ein Erdschlussunterbrecher installiert werden, um elektrische Schläge zu vermeiden.
- Ausschließlich Unterbrecher und Sicherungen mit der korrekten Kapazität verwenden. Sicherungen und Drähte oder Kupferdrähte mit zu hoher Kapazität können Betriebsstörungen des Aggregats oder Brände verursachen.



### WICHTIG

Darauf achten, dass der Stromunterbrecher mit harmonischen Oberschwingungen kompatibel ist.

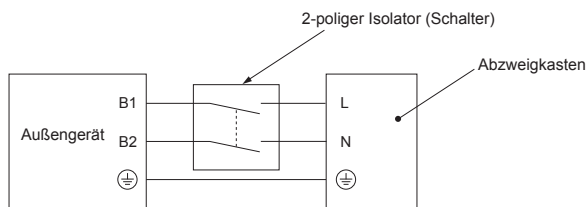
Stets einen Stromunterbrecher verwenden, der mit harmonischen Oberschwingungen kompatibel ist, da dieses Gerät einen Umwandler besitzt.

Wird ein ungeeigneter Unterbrecher verwendet, kann dies zu einem mangelhaften Betrieb des Umwandlers führen.

Das Netzkabel oder das Anschlusskabel des Abzweigkastens für Innen- und Außengeräte darf nicht gespleißt werden, da dies zu Rauchentwicklung, Feuer oder Kommunikationsfehlern führen kann.

### ⚠️ Warnung:

- Schalten Sie bei der Wartung unbedingt den Netzstrom aus. Berühren Sie auch nicht die Klemmen B1, B2, wenn Netzstrom anliegt. Wenn zwischen dem Außengerät und dem Abzweigkasten oder dem Innengerät und dem Abzweigkasten ein Isolator verwendet werden soll, dann verwenden Sie einen 2-poligen Typ. (Siehe Abbildung unten.)



### ⚠️ Vorsicht:

Schalten Sie nach dem Einsetzen des Isolators unbedingt den Netzschalter aus und ein, um das System zurückzusetzen. Andernfalls erkennt das Außengerät möglicherweise nicht die Abzweigkästen oder Innengeräte.

Schließen Sie die Anschlusskabel der Abzweigkästen für Außen- und Innengeräte unbedingt direkt an die Geräte an (ohne Zwischenverbindungen). Zwischenverbindungen können zu Kommunikationsfehlern führen, wenn Feuchtigkeit in die Kabel eindringt und die Isolierung der Erdung oder den elektrischen Kontakt an der Zwischenverbindung beeinträchtigt.

(Falls eine Zwischenverbindung erforderlich ist, müssen entsprechende Maßnahmen getroffen werden, um das Eindringen von Feuchtigkeit in die Kabel zu verhindern.)

# 6. Elektroarbeiten

## 6.5. Adresseinstellung

Adresseinstellung für Schalter

	Außengerät	Abzweigkasten				Serie M, S, P Innen	Serie CITY MULTI																																																	
		Adresse		Verbindungseinstellung																																																				
Schalter	 SWU2 SWU1	 SW12 SW11	<table border="1"> <tr> <td>A</td><td>B</td><td>C</td><td>D</td><td>E</td><td>-</td> </tr> <tr> <td>1</td><td>2</td><td>3</td><td>4</td><td>5</td><td>6</td> </tr> </table> SW1		A	B	C	D	E	-	1	2	3	4	5	6	Keiner	 SW12 SW11																																						
A	B	C	D	E	-																																																			
1	2	3	4	5	6																																																			
Bereich	51 - 100	1 - 50		-	-	1 - 50																																																		
Einstellung	M-Steuerung innen oder Abzweigkastenadresse +50	<ul style="list-style-type: none"> <li>Entsprechend der festgelegten Adresse (z. B. 01) werden die Adressen der angeschlossenen Innengeräte sequenziell festgelegt (z. B. 02, 03, 04 und 05).</li> </ul> <table border="1"> <tr> <td>SW1</td><td>1</td><td>2</td><td>3</td><td>4</td><td>5</td><td></td> </tr> <tr> <td></td><td>EIN</td><td>EIN</td><td>EIN</td><td>EIN</td><td>EIN</td><td></td> </tr> <tr> <td>Anschluss</td><td>A</td><td>B</td><td>C</td><td>D</td><td>E</td><td></td> </tr> <tr> <td>Adresse</td><td>01</td><td></td><td></td><td></td><td></td><td>(SW11, 12)</td> </tr> <tr> <td></td><td></td><td>02</td><td>03</td><td>04</td><td>05</td><td>(sequenzielle Nummern)</td> </tr> </table>		SW1	1	2	3	4	5			EIN	EIN	EIN	EIN	EIN		Anschluss	A	B	C	D	E		Adresse	01					(SW11, 12)			02	03	04	05	(sequenzielle Nummern)	<ul style="list-style-type: none"> <li>Geben Sie an, ob an jedem Anschluss (A, B, C, D und E) Innengeräte angeschlossen sind.</li> </ul> <table border="1"> <tr> <td>SW1</td><td>1</td><td>2</td><td>3</td><td>4</td><td>5</td><td>(6)</td> </tr> <tr> <td>Anschluss</td><td>A</td><td>B</td><td>C</td><td>D</td><td>E</td><td>nicht verwenden</td> </tr> </table> Innengeräte angeschlossen EIN Innengeräte nicht angeschlossen AUS		SW1	1	2	3	4	5	(6)	Anschluss	A	B	C	D	E	nicht verwenden	Für die Innengeräte sind keine Adresseinstellungen vorzunehmen.	-
SW1	1	2	3	4	5																																																			
	EIN	EIN	EIN	EIN	EIN																																																			
Anschluss	A	B	C	D	E																																																			
Adresse	01					(SW11, 12)																																																		
		02	03	04	05	(sequenzielle Nummern)																																																		
SW1	1	2	3	4	5	(6)																																																		
Anschluss	A	B	C	D	E	nicht verwenden																																																		

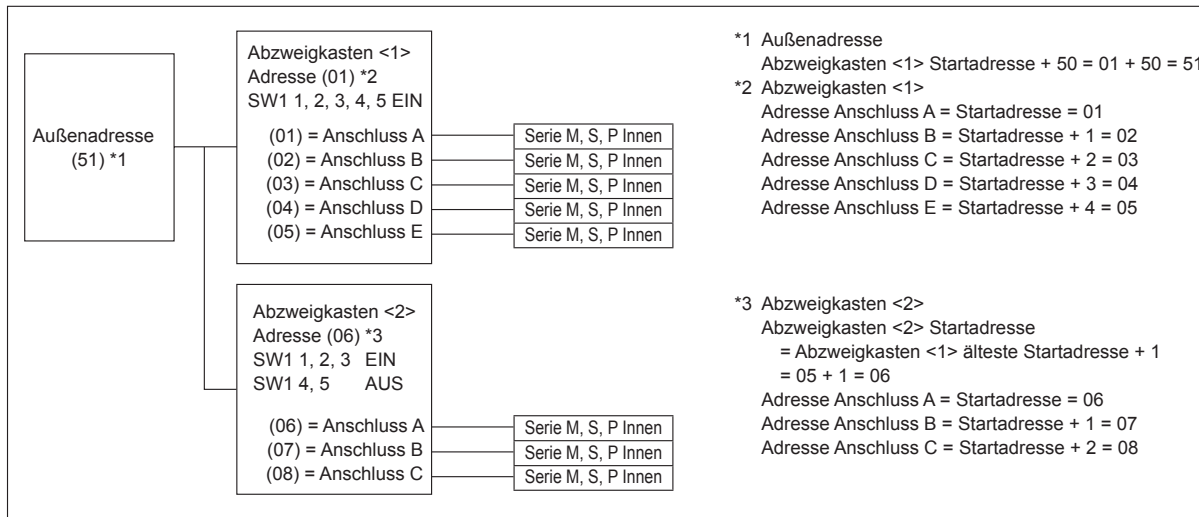
**Hinweis: 1. Adresse des Abzweigkastens**

Verwenden Sie für die Adresse eine Zahl zwischen 1 und 50.

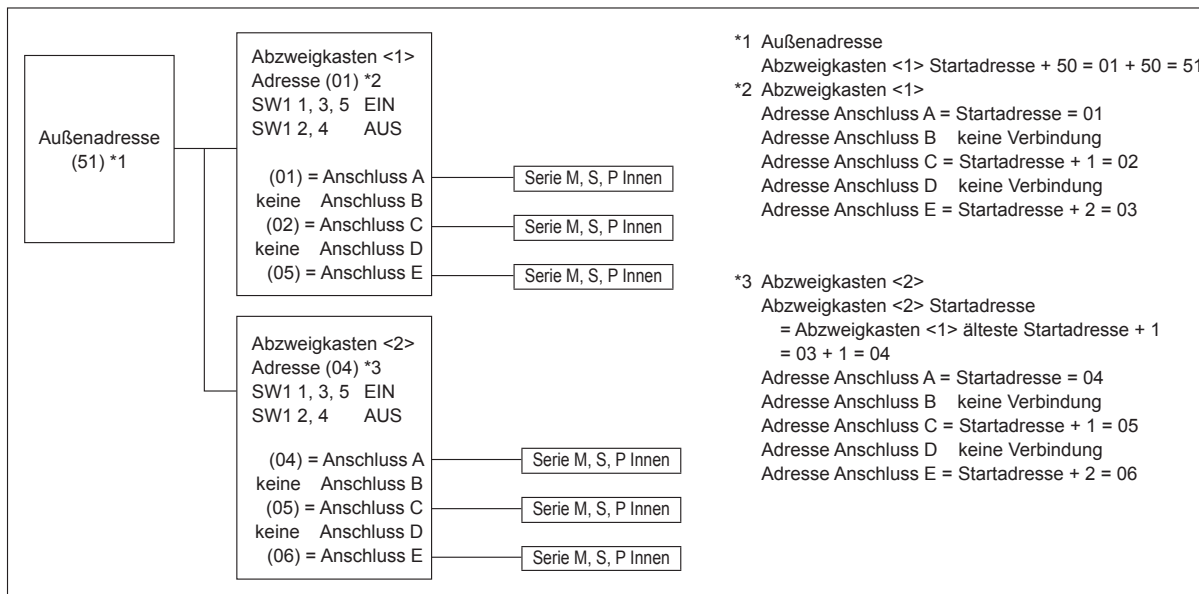
Beispiel: Die festgelegte Adresse ist (47), und es sind fünf Innengeräte (A, B, C, D und E) vorhanden.

Wenn die Einstellung wie folgt lautet: A: (47), B: (48), C: (49), D: (50) und E: (51), ist E falsch, da die Zahl größer als 50 ist.

Beispiel 1: Außengerät + Abzweigkasten <1> (Serie M, S, P innen A, B, C, D, E) + Abzweigkasten <2> (Serie M, S, P innen A, B, C)

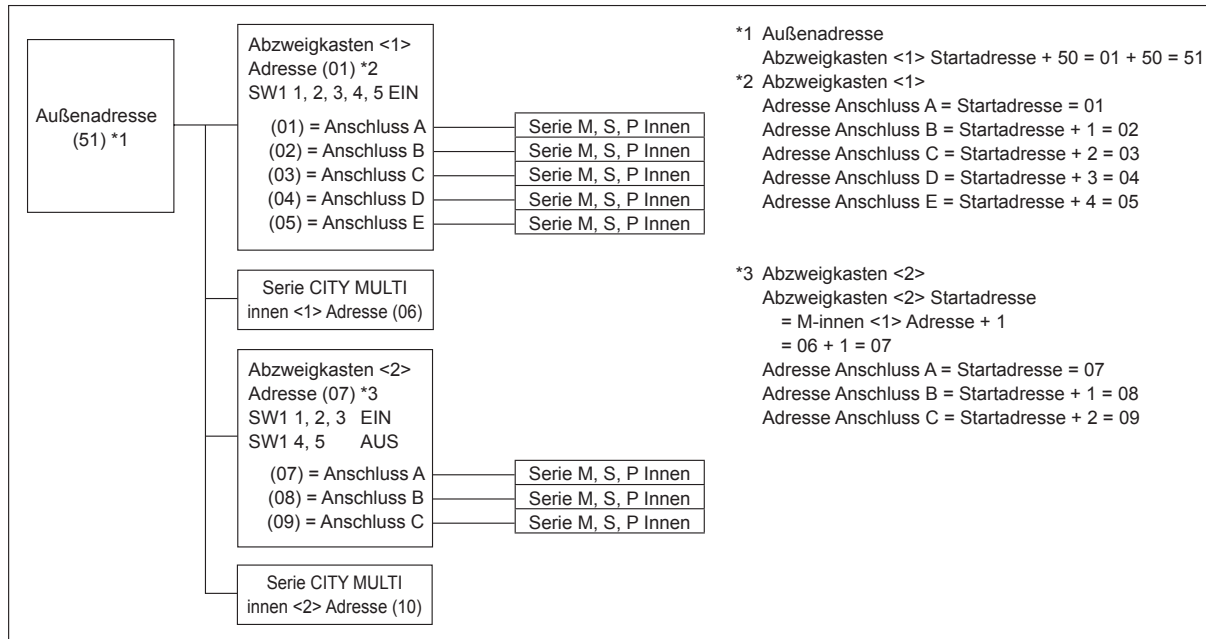


Beispiel 2: Außengerät + Abzweigkasten <1> (Serie M, S, P innen A, C, E) + Abzweigkasten <2> (Serie M, S, P innen A, C, E)



## 6. Elektroarbeiten

Beispiel 3: Außengerät + Abzweigkasten <1> (Serie M, S, P innen A, B, C, D, E) + Abzweigkasten <2> (Serie M, S, P innen A, B, C) + Serie CITY MULTI innen <1> + Serie CITY MULTI innen <2>



## 7. Testlauf

### 7.1. Vor dem Testlauf

- ▶ Nach Installation, Verdrahtung und Verlegung der Rohrleitungen der Innen- und Außenanlagen überprüfen und sicherstellen, dass kein Kältemittel ausläuft, Netzstromversorgung und Steuerleitungen nicht locker sind, Polarität nicht falsch angeordnet und keine einzelne Netzanschlussphase getrennt ist.
- ▶ Um zu prüfen, ob der Widerstand zwischen den Netzanschlussklemmen und der Erdung mindestens 1 MΩ beträgt, ein Testgerät von 500-Volt-M-Ohm verwenden.
- ▶ Diesen Test nicht an den Klemmen der Steuerleitungen (Niederspannungsstromkreis) vornehmen.

#### ⚠ Warnung:

Die Klimaanlage nicht in Betrieb nehmen, wenn der Isolationswiderstand weniger als 1 MΩ beträgt.

#### Isolationswiderstand

Nach der Installation oder nachdem die Anlage längere Zeit von der Stromversorgung getrennt war, fällt der Isolationswiderstand auf Grund der Kältemittelansammlung im Kompressor unter 1 MΩ. Es liegt keine Fehlfunktion vor. Gehen Sie wie folgt vor.

1. Trennen Sie die Stromleitungen vom Kompressor, und messen Sie den Isolationswiderstand des Kompressors.
2. Wenn der Isolationswiderstand niedriger als 1 MΩ ist, ist der Kompressor entweder defekt oder der Widerstand ist auf Grund der Kältemittelansammlung im Kompressor gefallen.

3. Nach dem Anschließen der Stromleitungen und dem Einschalten des Netzstroms, beginnt der Kompressor warmzulaufen. Messen Sie den Isolationswiderstand nach den unten aufgeführten Einschaltzeiten erneut.
  - Der Isolationswiderstand fällt auf Grund der Kältemittelansammlung im Kompressor ab. Der Widerstand steigt auf über 1 MΩ, nachdem sich der Kompressor 12 Stunden lang warmgelaufen hat.
  - (Die Zeit, die zum Erwärmen des Kompressors erforderlich ist, ist je nach Wetterbedingungen und Kältemittelansammlung unterschiedlich.)
  - Um den Kompressor mit einer Kältemittelansammlung im Kompressor zu betreiben, muss der Kompressor mindestens 12 Stunden lang warmlaufen, um einen Ausfall zu verhindern.
4. Wenn der Isolationswiderstand über 1 MΩ ansteigt, ist der Kompressor nicht defekt.

#### ⚠ Vorsicht:

- Kompressor arbeitet nicht, wenn Phasen der Netzstromversorgung nicht richtig angeschlossen sind.
- Strom mindestens 12 Stunden vor Betriebsbeginn einschalten.
- Betriebsbeginn unmittelbar nach Einschalten des Netzschalters kann zu schwerwiegenden Schäden der Innenteile führen. Während der Saison Netzschalter eingeschaltet lassen.

#### ▶ Die nachfolgenden Positionen müssen ebenfalls überprüft werden.

- Das Außengerät ist nicht fehlerhaft. Bei fehlerhaftem Außengerät blinkt die LED auf der Steuertafel des Außengerätes.
- Sowohl das Gas- als auch das Flüssigkeits-Absperrventil sind vollständig geöffnet.

### 7.2. Testlauf

#### 7.2.1. Benutzung der Fernbedienung

Siehe Installationsanleitung des Innengerätes.

- Dafür sorgen, den Testlauf für jedes Innengerät vorzunehmen. Vergewissern, dass jedes Innengerät gemäß der dem Gerät beigelegten Installationsanleitung einwandfrei läuft.
- Wenn Sie den Testlauf für alle Innengeräte gleichzeitig vornehmen, können Sie keine Anschlussfehler feststellen, wenn solche an den Kältemittelrohrleitungen und den Verbindungsleitungen gegeben sind.
- \* Nach Anliegen des Netzstroms ist der Kompressorbetrieb mindestens 3 Minuten lang nicht möglich.
- Unmittelbar nach Einschalten des Netzstroms oder bei niedrigen Außentemperaturen kann der Kompressor ein lautes Geräusch verursachen.
- Abhängig von den Betriebsbedingungen kann das Gebläse des Außengerätes während des Kompressorbetriebs anhalten; dies ist jedoch keine Störung.

#### Über den Startwiederholungsschutz

Sobald der Kompressor ausgeschaltet wird, arbeitet die Startwiederholungsschutzvorrichtung, so dass der Kompressor zum Schutz der Klimaanlage 3 Minuten lang nicht arbeiten kann.

### 7.3. Sammeln des Kältemittels (Abpumpen)

Gehen Sie zum Sammeln des Kältemittels wie im Folgenden beschrieben vor, wenn die Innen- oder die Außenanlage an einen anderen Aufstellungsort transportiert werden soll.

- ① Schalten Sie den Leistungsschalter aus.
- ② Verbinden Sie die Unterdruck-Seite des Rohrverteilers mit dem Wartungsanschluss des Absperrventils auf der Gasseite.
- ③ Schließen Sie das Flüssigkeits-Absperrventil.
- ④ Schalten Sie die Anlage ein (Leistungsschalter).
  - \* Die Kommunikation zwischen Innen- und Außenanlage startet etwa 3 Minuten nach Einschalten der Stromversorgung (Trennschalter). Starten Sie den Abpump-Betrieb 3 bis 4 Minuten nach Einschalten der Stromversorgung (Trennschalter).
- ⑤ Überprüfen Sie, ob SW3-2 ausgeschaltet ist (OFF), und schalten Sie dann SW3-1 ein (ON), um den Testlauf für den Kühlbetrieb durchzuführen. Der Kompressor (Außenanlage) und die Ventilatoren (Innen- und Außenanlagen) beginnen zu arbeiten und der Testlauf für den Kühlbetrieb setzt ein. Schalten Sie direkt nach dem Testlauf für den Kühlbetrieb den Wartungsschalter SW2-4 für das Außengerät (Abpumpen-Schalter) von OFF (AUS) auf ON (EIN).

\* Führen Sie den Betriebsvorgang nicht längere Zeit durch, wenn der Wartungsschalter SW2-4 auf ON (EIN) geschaltet ist. Sorgen Sie dafür, dass nach Beendigung des Abpumpvorgangs der Schalter auf OFF (AUS) geschaltet wird.

- ⑥ Schließen Sie das Gassperrventil vollständig, wenn die Anzeige auf dem Druckmesser unter 0,05 - 0,00 MPa (etwa 0,5 - 0,0 kgf/cm<sup>2</sup>) fällt.
- ⑦ Schalten Sie den Klimaanlagebetrieb aus (SW3-1: OFF (AUS)). Stellen Sie den Wartungsschalter SW2-4 der Außenanlage von ON (EIN) auf OFF (AUS).
- ⑧ Unterbrechen Sie die Stromzufuhr (Leistungsschalter).

\* Wenn zu viel Kältemittel in das Klimaanlage-System eingefüllt wurde, fällt der Druck möglicherweise nicht auf 0,05 MPa (0,5 kgf/cm<sup>2</sup>) ab. Falls dies passiert, verwenden Sie einen Sammelbehälter für das Kältemittel, in welchem Sie das gesamte Kältemittel des Systems sammeln, und befüllen Sie dann das System mit der richtigen Kältemittelmenge, nachdem die Innen-/Außengeräte wieder installiert wurden.

#### ⚠ Warnung:

Schalten Sie beim Abpumpen des Kältemittels den Kompressor ab, bevor die Kältemittelleitungen getrennt werden. Der Kompressor kann bersten und Verletzungen verursachen, wenn irgendeine andere Substanz, wie z. B. Luft, in das System gelangt.

# Index

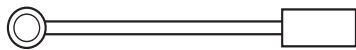
1. Consignes de sécurité.....	46	5. Mise en place du tuyau d'écoulement.....	58
2. Emplacement d'installation.....	48	6. Installations électriques.....	58
3. Installation de l'appareil extérieur.....	51	7. Marche d'essai.....	67
4. Installation de la tuyauterie du réfrigérant.....	51		

## ⚠ Prudence:

- Ne libérez pas le R410A dans l'atmosphère.

## Vérification des pièces livrées

En plus du présent manuel, l'élément suivant est livré avec l'appareil extérieur. Il sert à mettre à la terre la borne S du bloc de sortie de transmission TB7. Pour plus de détails à ce sujet, voir "6. Installations électriques".



Fil de terre

## 1. Consignes de sécurité

- ▶ Avant d'installer le climatiseur, lire attentivement toutes les "Consignes de sécurité".
- ▶ Veuillez consulter ou obtenir la permission votre compagnie d'électricité avant de connecter votre système.
- ▶ Série PUMY-P-VKM conforme à la norme CEI/EN 61000-3-12
- ▶ La série PUMY-P-VKM et la série PUMY-P-YKME sont conçues pour une utilisation dans des environnements résidentiels, commerciaux et dans l'industrie légère.
- ▶ La série PUMY-P-YKM est conçue en tant qu'équipement professionnel.
- ▶ Lors de la connexion d'un appareil intérieur ATW (séries EHST20C et EHSC) avec un modèle triphasé, utiliser PUMY-P-YKME4.

### ⚠ Avertissement:

Précautions à suivre pour éviter tout danger de blessure ou de décès de l'utilisateur.

### ⚠ Prudence:

Décrit les précautions qui doivent être prises pour éviter d'endommager l'appareil.

### ⚠ Avertissement:

- L'appareil ne doit pas être installé par l'utilisateur. Contacter un revendeur ou un technicien agréé pour installer l'appareil. Si l'appareil n'est pas correctement installé, des fuites d'eau, des chocs électriques ou des incendies peuvent se produire.
- Cet appareil est conçu pour être utilisé par des utilisateurs experts ou spécialement formés dans des ateliers, dans l'industrie légère ou des exploitations agricoles, ou pour une utilisation commerciale par des non-spécialistes.
- Pour l'installation, respecter les instructions du manuel d'installation et utiliser des outils et des composants de tuyau spécialement conçus pour une utilisation avec le réfrigérant R410A. La pression du réfrigérant R410A du système HFC est 1,6 fois supérieure à celle des réfrigérants traditionnels. Si des composants de tuyau non adaptés au réfrigérant R410A sont utilisés et si l'appareil n'est pas correctement installé, les tuyaux peuvent éclater et provoquer des dommages ou des blessures. Des fuites d'eau, des chocs électriques et des incendies peuvent également se produire.
- L'appareil doit être installé conformément aux instructions pour réduire les risques de dommages liés à des tremblements de terre, des typhons ou des vents violents. Une installation incorrecte peut entraîner la chute de l'appareil et provoquer des dommages ou des blessures.
- L'appareil doit être solidement installé sur une structure pouvant supporter son poids. Si l'appareil est fixé sur une structure instable, il risque de tomber et de provoquer des dommages ou des blessures.
- Si le climatiseur est installé dans une petite pièce, certaines mesures doivent être prises pour éviter que la concentration de réfrigérant ne dépasse le seuil de sécurité en cas de fuite. Consulter un revendeur pour obtenir les mesures adéquates et ainsi éviter de dépasser la concentration autorisée. En cas de fuite de réfrigérant et de dépassement du seuil de concentration, des risques liés au manque d'oxygène dans la pièce peuvent survenir.
- Aérer la pièce en cas de fuite de réfrigérant lors de l'utilisation. Le contact du réfrigérant avec une flamme peut provoquer des émanations de gaz toxiques.
- Toutes les installations électriques doivent être effectuées par un technicien qualifié conformément aux réglementations locales et aux instructions fournies dans ce manuel. Les appareils doivent être alimentés par des lignes électriques adaptées. Utiliser la tension correcte et des coupe-circuits. Des lignes électriques de capacité insuffisante ou des installations électriques incorrectes peuvent provoquer un choc électrique ou un incendie.
- Utiliser le cuivre phosphoreux C1220, pour des tuyaux sans soudure en cuivre et en alliage de cuivre, pour raccorder les tuyaux de réfrigérant. Si les tuyaux ne sont pas correctement raccordés, la mise à la terre de l'appareil ne sera pas conforme et des chocs électriques peuvent se produire.

Une fois l'installation terminée, expliquer les "Consignes de sécurité", l'utilisation et l'entretien de l'appareil au client conformément aux informations du mode d'emploi et effectuer l'essai de fonctionnement en continu pour garantir un fonctionnement normal. Le manuel d'installation et le mode d'emploi doivent être fournis à l'utilisateur qui doit les conserver. Ces manuels doivent également être transmis aux nouveaux utilisateurs.

⚡ : Indique un élément qui doit être mis à la terre.

### ⚠ Avertissement:

Prendre soin de lire les étiquettes se trouvant sur l'appareil principal.

- N'utiliser que les câbles spécifiés pour les raccordements. Les raccordements doivent être réalisés correctement sans tension sur les bornes. Ne jamais effectuer de jonction sur les câbles (sauf en cas d'indications contraires). Le non respect de cette consigne peut entraîner une surchauffe ou un incendie.
- Le couvercle du bloc de sortie de l'appareil extérieur doit être solidement fixé. S'il n'est pas correctement installé et si des poussières et de l'humidité s'infiltrent dans l'appareil, un choc électrique ou un incendie peut se produire.
- Lors de l'installation, du déplacement ou de l'entretien du climatiseur, n'utilisez que le réfrigérant spécifié (R410A) pour remplir les tuyaux de réfrigérant. Ne pas le mélanger avec un autre réfrigérant et faire le vide d'air dans les tuyaux. Si du réfrigérant est mélangé avec de l'air, cela peut provoquer des pointes de pression dans les tuyaux de réfrigérant et entraîner une explosion et d'autres risques. L'utilisation d'un réfrigérant différent de celui spécifié pour le climatiseur peut entraîner des défaillances mécaniques, des dysfonctionnements du système ou une panne de l'appareil. Dans le pire des cas, cela peut entraîner un obstacle à la mise en sécurité du produit.
- N'utiliser que les accessoires agréés par Mitsubishi Electric et contacter un revendeur ou un technicien agréé pour les installer. Si les accessoires ne sont pas correctement installés, une fuite d'eau, un choc électrique ou un incendie peut se produire.
- Ne pas changer l'appareil. Consulter un revendeur en cas de réparations. Si les modifications ou réparations ne sont pas correctement effectuées, une fuite d'eau, un choc électrique ou un incendie peut se produire.
- L'utilisateur ne doit jamais essayer de réparer ou de déplacer l'appareil. Si l'appareil n'est pas correctement installé, des fuites d'eau, des chocs électriques ou des incendies peuvent se produire. Si le climatiseur doit être réparé ou déplacé, contacter un revendeur ou un technicien agréé.
- Une fois l'installation terminée, vérifier les éventuelles fuites de réfrigérant. Si le réfrigérant fuit dans la pièce et entre en contact avec la flamme d'un chauffage ou d'une cuisinière, des gaz toxiques peuvent se dégager.
- L'installation de l'appareil doit être conforme aux réglementations nationales relatives au câblage.
- Si le cordon d'alimentation est endommagé, il doit être remplacé par le fabricant, ses représentants ou un technicien de même compétence pour éviter tout risque potentiel.

# 1. Consignes de sécurité

## 1.1. Avant l'installation

### ⚠ Précaution:

- Ne pas utiliser l'appareil dans un environnement inhabituel. Si le climatiseur est installé dans des endroits exposés à la vapeur, à l'huile volatile (notamment l'huile de machine), au gaz sulfurique, à une forte teneur en sel, par exemple, à la mer, ou dans des endroits où l'appareil sera recouvert de neige, les performances peuvent considérablement diminuer et les pièces internes de l'appareil être endommagées.
- Ne pas installer l'appareil dans des endroits où des gaz de combustion peuvent s'échapper, se dégager ou s'accumuler. L'accumulation de gaz de combustion autour de l'appareil peut provoquer un incendie ou une explosion.
- L'appareil extérieur produit de la condensation lors du fonctionnement du chauffage. Prévoir un système de drainage autour de l'appareil extérieur au cas où la condensation provoquerait des dommages.
- Lors de l'installation de l'appareil dans un hôpital ou un centre de communications, se préparer au bruit et aux interférences électroniques. Les inverseurs, les appareils électroménagers, les équipements médicaux haute fréquence et de communications radio peuvent provoquer un dysfonctionnement ou une défaillance du climatiseur. Le climatiseur peut également endommager les équipements médicaux et de communications, perturbant ainsi les soins et réduisant la qualité d'affichage des écrans.

## 1.2. Avant l'installation (déplacement)

### ⚠ Précaution:

- Transporter les appareils avec précaution. L'appareil doit être transporté par deux personnes ou plus, car il pèse 20 kg minimum. Ne pas tirer les rubans d'emballage. Se munir de gants pour ôter l'appareil de son emballage et le déplacer au risque de se blesser les mains sur les ailettes ou d'autres pièces.
- Veiller à éliminer le matériel d'emballage en toute sécurité. Le matériel d'emballage (clous et autres pièces en métal ou en bois) peut provoquer des blessures.
- La base et les fixations de l'appareil extérieur doivent être vérifiées régulièrement pour éviter qu'elles ne se desserrent, se fissurent ou subissent d'autres dommages. Si ces défauts ne sont pas corrigés, l'appareil peut tomber et provoquer des dommages ou des blessures.
- Ne pas nettoyer le climatiseur à l'eau au risque de provoquer un choc électrique.
- Serrer les écrous évasés, conformément aux spécifications, à l'aide d'une clé dynamométrique. Si les écrous sont trop serrés, ils peuvent se casser après un certain temps et provoquer une fuite de réfrigérant.

## 1.3. Avant l'installation électrique

### ⚠ Précaution:

- Veiller à installer des coupe-circuits. Dans le cas contraire, un choc électrique peut se produire.
- Pour les lignes électriques, utiliser des câbles standard de capacité suffisante. Dans le cas contraire, un court-circuit, une surchauffe ou un incendie peut se produire.
- Lors de l'installation des lignes électriques, ne pas mettre les câbles sous tension. Si les connexions sont desserrées, les câbles peuvent se rompre et provoquer une surchauffe ou un incendie.
- Veiller à mettre l'appareil à la terre. Ne pas relier le fil de terre aux conduites de gaz ou d'eau, aux paratonnerres ou aux lignes de terre téléphoniques. Une mise à la terre incorrecte de l'appareil peut provoquer un choc électrique.
- Utiliser des coupe-circuits (disjoncteur de fuite à la terre, interrupteur d'isolement (fusible +B) et disjoncteur à boîtier moulé) à la capacité spécifiée. Si la capacité du coupe-circuit est supérieure à celle spécifiée, une défaillance ou un incendie peut se produire.

## 1.4. Avant la marche d'essai

### ⚠ Précaution:

- Activer l'interrupteur principal au moins 12 heures avant la mise en fonctionnement de l'appareil. L'utilisation de l'appareil juste après sa mise sous tension peut endommager sérieusement les pièces internes. Laisser l'interrupteur activé pendant la période d'utilisation.
- Avant d'utiliser l'appareil, vérifier que tous les panneaux, toutes les protections et les autres pièces de sécurité sont correctement installés. Les pièces tournantes, chaudes ou à haute tension peuvent provoquer des blessures.
- Ne pas toucher les interrupteurs les mains humides au risque de provoquer un choc électrique.
- Ne pas toucher les tuyaux de réfrigérant les mains nues lors de l'utilisation. Les tuyaux de réfrigérant sont chauds ou froids en fonction de l'état du réfrigérant qu'ils contiennent. Toucher les tuyaux peut provoquer des brûlures ou des gelures.
- A la fin de l'utilisation de l'appareil, attendre au moins cinq minutes avant de désactiver l'interrupteur principal. Dans le cas contraire, une fuite d'eau ou une défaillance peut se produire.

## 1.5. Utilisation de climatiseurs utilisant le réfrigérant R410A

### ⚠ Précaution:

- Utiliser le cuivre phosphoreux C1220, pour des tuyaux sans soudure en cuivre et en alliage de cuivre, pour raccorder les tuyaux de réfrigérant. Vérifier que l'intérieur des tuyaux est propre et dépourvu de tout agent nocif tel que des composés sulfuriques, des oxydants, des débris ou des saletés. Utiliser des tuyaux d'épaisseur spécifiée. (Se reporter à la page 51). Respecter les instructions suivantes en cas de réutilisation de tuyaux de réfrigérant R22 existants.
  - Remplacer les écrous évasés existants et évaser de nouveau les sections évasées.
  - Ne pas utiliser de tuyaux fins. (Se reporter à la page 51)
- Stocker à l'intérieur les tuyaux à utiliser pendant l'installation et couvrir les deux extrémités jusqu'au processus de brasage. (Laisser les joints de coude, etc. dans leur emballage.) L'infiltration de poussières, de débris ou d'humidité dans les tuyaux de réfrigérant peut affecter la qualité de l'huile ou endommager le compresseur.
- Appliquer une petite quantité d'huile ester, éther ou alkylbenzène comme huile réfrigérante sur les sections évasées. Le mélange d'huile minérale et d'huile réfrigérante peut affecter la qualité de l'huile.
- Ne pas utiliser un réfrigérant autre que le réfrigérant R410A. Si c'est le cas, le chlore peut affecter la qualité de l'huile.
- Utiliser les outils suivants spécialement conçus pour une utilisation avec le réfrigérant R410A. Les outils suivants sont nécessaires pour utiliser le réfrigérant R410A. En cas de questions, contacter le revendeur le plus proche.

Outils (pour R410A)	
Collecteur jauge	Outil d'évasement
Tuyau de charge	Jauge de réglage de la taille
Détecteur de fuite de gaz	Adaptateur pour pompe à vide
Clé dynamométrique	Echelle électronique de charge de réfrigérant

- Veiller à utiliser les outils adaptés. L'infiltration de poussières, de débris ou d'humidité dans les tuyaux de réfrigérant peut affecter la qualité de l'huile réfrigérante.
- Ne pas utiliser un cylindre de charge. L'utilisation d'un cylindre de charge peut modifier la composition du réfrigérant et réduire son efficacité.

## 2. Emplacement d'installation

### 2.1. Tuyaux de réfrigérant

Se reporter à la Fig. 4-1.

### 2.2. Sélection de l'emplacement d'installation de l'appareil extérieur

- Éviter les endroits exposés au rayonnement solaire direct ou à d'autres sources de chaleur.
- Sélectionner un endroit où le bruit de l'appareil n'incommodera pas le voisinage.
- Sélectionner un endroit permettant un accès facile des câbles et tuyaux à la source d'alimentation et à l'appareil intérieur.
- Éviter les endroits exposés à des risques de fuite, d'échappement ou d'accumulation de gaz.
- Ne pas oublier que des gouttes d'eau peuvent couler de l'appareil lors de son utilisation.
- Sélectionner un endroit de niveau pouvant supporter le poids et les vibrations de l'appareil.
- Éviter les endroits où l'appareil peut être recouvert de neige. Dans les zones où les chutes de neige importantes sont prévisibles, certaines précautions (par ex., relever l'emplacement d'installation ou installer une hotte sur l'arrivée d'air) doivent être prises pour éviter que la neige ne bloque l'arrivée d'air ou ne tombe directement dessus. La circulation de l'air risque de diminuer et d'entraîner un dysfonctionnement.
- Éviter les endroits exposés à l'huile, à la vapeur ou au gaz sulfurique.
- Utiliser les poignées de transport (quatre emplacements à gauche, à droite, à l'avant et à l'arrière) de l'appareil extérieur pour le déplacer. Transporter l'appareil par le bas peut provoquer des pincements aux mains ou aux doigts.

(mm)

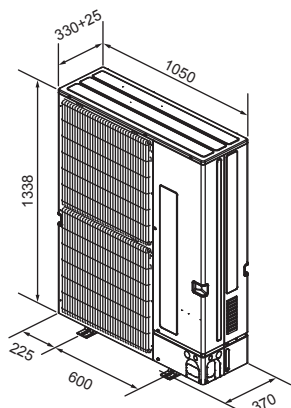


Fig. 2-1

Tableau 2 Nombre d'appareils intérieurs pouvant être raccordés

• Appareils intérieurs City Multi

P112	1-9 *1
P125	1-10 *2
P140	1-12 *3

\*1 Pour le raccordement d'appareils intérieurs Série M via le kit de connexion, 10 appareils intérieurs peuvent être raccordés.

\*2 Pour le raccordement d'appareils intérieurs Série M via le kit de connexion, 12 appareils intérieurs peuvent être raccordés.

\*3 Lorsque tous les appareils intérieurs sont des modèles P15, 12 appareils intérieurs peuvent être raccordés.

• Système de boîtier de dérivation (appareils intérieurs Série M, S, P via boîtier de dérivation)

P112	2-8
P125	2-8
P140	2-8

• Système mixte (appareils intérieurs City Multi et appareils intérieurs Série M, S, P via boîtier de dérivation)

	Un boîtier de dérivation		Deux boîtiers de dérivation	
	Via boîtier de dérivation	Appareil intérieur City Multi	Via boîtier de dérivation	Appareil intérieur City Multi
P112	Max. 5	Max. 5*1	Max. 7 Max. 8	Max. 3*1 Max. 2*1
P125	Max. 5	Max. 5*1	Max. 8	Max. 3*1
P140	Max. 5	Max. 5*1	Max. 8	Max. 3*1

\*1 Les appareils intérieurs du type PKFY-P-VBM, PFFY-P-VKM et PFFY-P-VL\* ne peuvent pas être utilisés dans un système mixte.

Tableau 3 Caractéristiques de l'appareil PWFY

Modèle		PWFY-P100VM-E-AU
Plage de temp. de chauffage	Temp. extérieure	-15 à 21 °C (Bulbe sec), -15 à 15 °C (Bulbe humide)
	Temp. d'eau d'arrivée	10 à 45 °C
Plage de temp. de refroidissement	Temp. extérieure	-
	Temp. d'eau d'arrivée	-



Fig. 2-2

### 2.3. Dimensions extérieures (Appareil extérieur) (Fig. 2-1)

Contraintes concernant l'installation d'un appareil intérieur

Voici les modèles d'appareils intérieurs qu'il est possible de relier à cet appareil extérieur. Les appareils intérieurs ayant pour numéro de modèle 15-140 peuvent être raccordés. En cas d'utilisation de boîtier de dérivation, les appareils intérieurs des modèles 15-100 peuvent être raccordés. Reportez-vous au tableau 1 ci-dessous pour connaître les combinaisons possibles d'unités internes.

#### Vérification

La puissance nominale doit être déterminée à l'aide du tableau ci-dessous. Le nombre d'unités est limité, comme indiqué au tableau 2 ci-dessous. Au cours de la prochaine étape, veuillez à ce que la puissance nominale totale sélectionnée varie entre 50% - 130% de la puissance de l'appareil extérieur.

- PUMY-P112 6,3 - 16,2 kW
- PUMY-P125 7,1 - 18,2 kW
- PUMY-P140 8,0 - 20,2 kW

Tableau 1-1 Appareils intérieurs City Multi (série P-FY)

Type d'appareil intérieur	P15*	P20	P25	P32	P40	P50	P63	P71	P80	P100	P125	P140
Capacité nominale (refroidissement) (kW)	1,7	2,2	2,8	3,6	4,5	5,6	7,1	8,0	9,0	11,2	14,0	16,0

Tableau 1-2 (séries M, séries P, séries S)

Type d'appareil intérieur	15	20	22	25	35	42	50	60	71	80	100
Capacité nominale (refroidissement) (kW)	1,5	2,0	2,2	2,5	3,5	4,2	5,0	6,0	7,1	8,0	10,0

Dans les combinaisons dans lesquelles la capacité totale des appareils intérieurs est supérieure à la capacité de l'appareil extérieur, la capacité de refroidissement de chaque appareil intérieur sera réduite en dessous de sa capacité de refroidissement nominale. Par conséquent, combiner des appareils intérieurs à un appareil extérieur sans dépasser la capacité de ce dernier, si possible.

\* Dans le cas où tous les appareils intérieurs sont des modèles P15, 12 appareils intérieurs peuvent être raccordés à 1 appareil extérieur.

### 2.4. Raccordement d'un appareil PWFY

En cas d'utilisation d'un appareil PWFY comme appareil intérieur, prêter attention aux points suivants car l'appareil PWFY est différent des autres appareils intérieurs.

Un appareil PWFY ne peut pas être connecté dans l'UE.

#### 2.4.1. Restrictions relatives aux connexions

• Seul 1 appareil PWFY-P100VM-E-AU peut être raccordé. Les appareils PWFY-P200VM-E-AU et PWFY-P100VM-E-BU ne peuvent pas être raccordés.

• L'appareil PWFY ne peut pas être le seul appareil raccordé à un appareil extérieur. Sélectionner un appareil extérieur de manière que la capacité nominale totale des appareils intérieurs, appareil PWFY exclu, soit égale à 50 - 100 % de la capacité de l'appareil extérieur. Limites de capacité nominale totale des appareils intérieurs pour le raccordement d'un appareil PWFY

- PUMY-P112 (1 appareil PWFY + appareils non-PWFY [6,3 - 12,5 kW])
- PUMY-P125 (1 appareil PWFY + appareils non-PWFY [7,1 - 14,0 kW])
- PUMY-P140 (1 appareil PWFY + appareils non-PWFY [8,0 - 15,5 kW])

#### 2.4.2. Caractéristiques de l'appareil intérieur

En cas de raccordement d'un appareil PWFY à un appareil PUMY, les caractéristiques suivantes sont modifiées.

- L'appareil PWFY ne peut fonctionner qu'en mode de chauffage. L'appareil PWFY ne peut pas fonctionner en mode de refroidissement. Toutefois, les appareils intérieurs autres que l'appareil PWFY peuvent fonctionner en mode de refroidissement.
- Les autres appareils intérieurs ne peuvent pas fonctionner en même temps que l'appareil PWFY.
- L'appareil PWFY est prioritaire. Lorsque l'appareil PWFY est en fonctionnement, les autres appareils intérieurs s'arrêtent.
- Le réglage de température de la télécommande est la valeur cible de la température de l'eau de sortie.

#### 2.4.3. Réglages du commutateur (Fig. 2-2)

Lors du raccordement d'un appareil PWFY à un appareil PUMY, régler les commutateurs DIP SW1-1, SW4-2, et SW4-6 de l'appareil PWFY sur ON.

#### 2.4.4. Marche d'essai

Si l'essai de fonctionnement est effectué à l'aide des commutateurs de l'appareil extérieur, l'appareil PWFY ne fonctionnera pas. Effectuer le test de fonctionnement à l'aide des commutateurs de l'appareil PWFY ou à l'aide de la télécommande.

Pour plus d'informations sur la manière d'effectuer le test de fonctionnement, consulter le livre de données ou le manuel d'entretien de l'appareil PWFY.

#### 2.4.5. Récupération du réfrigérant (aspiration)

L'étape ① de la procédure d'aspiration indique à l'utilisateur de "faire fonctionner tous les appareils intérieurs en mode de refroidissement". Cependant, l'appareil PWFY ne fonctionnera pas en mode de refroidissement.

Faire fonctionner tous les appareils intérieurs, sauf l'appareil PWFY, en mode de refroidissement.



## 2. Emplacement d'installation

### 2.5. Raccordement d'un cylindre (EHST20C) ou d'une unité Hydrobox (EHSC)

En cas de connexion d'un cylindre ou d'une unité Hydrobox, prêter attention aux points suivants car le cylindre et l'unité Hydrobox sont différents des autres appareils intérieurs.

#### 2.5.1. Restrictions relatives aux connexions

- 1 cylindre (EHST20C) ou 1 unité Hydrobox (EHSC) seulement peuvent être connectés. (EHST20C-MEC, la série EHST20D, la série EHPT20X, la série EHSD, EHSC-MEC, la série ERSD, la série ERSC et la série EHPX ne peuvent pas être connectées.)
- Pour la connexion de systèmes Ecodan, utiliser un boîtier de dérivation PAC-MK32/52BC(B). (Un boîtier de dérivation PAC-MK31/51BC(B) ne peut pas être utilisé.)
- Les unités PWFY ne peuvent pas être connectées en même temps qu'un cylindre ou qu'une unité Hydrobox.
- Des appareils intérieurs ATA\*1 d'une capacité totale nominale de 50 % – 130 % de la capacité de l'appareil extérieur et 1 cylindre ou 1 unité Hydrobox peuvent être connectés.

\*1 Appareil intérieur ATA : Un appareil intérieur à l'exclusion d'un appareil PWFY, d'un cylindre et d'une unité Hydrobox.

PUMY-P112 1 cylindre ou 1 Hydrobox + appareils intérieurs ATA [max 16,2 (1,3\*<sup>2</sup>) kW]

PUMY-P125 1 cylindre ou 1 Hydrobox + appareils intérieurs ATA [max 18,2 (2,8\*<sup>2</sup>) kW]

PUMY-P140 1 cylindre ou 1 Hydrobox + appareils intérieurs ATA [max 20,2 (4,3\*<sup>2</sup>) kW]

\*2 En cas de fonctionnement simultané d'un cylindre ou d'une unité Hydrobox en mode de chauffage / mode DHW et d'appareils intérieurs ATA (Air-Air).

Cependant, les combinaisons suivantes peuvent être raccordées.

- PUMY-P112: MSZ-SF15VE × 1
- PUMY-P125: MSZ-SF15VE × 2
- PUMY-P140: MSZ-SF15VE × 3

#### 2.5.2. Caractéristiques de l'appareil intérieur

En cas de raccordement d'un cylindre ou d'une unité Hydrobox, les caractéristiques suivantes sont modifiées.

- Le cylindre ou l'unité Hydrobox ne peut pas fonctionner en mode de refroidissement.
- Le mode de fonctionnement du cylindre ou de l'unité Hydrobox a toujours priorité.
- Le mode ECO n'est pas utilisable pour la production d'eau chaude (DHW).
- La température maximum du flux est de 55 °C. (Le commutateur DIP SW1-2 du cylindre ou de l'unité Hydrobox doit être réglé sur OFF.)
- Le contrôle énergétique ne peut être utilisé que lorsqu'un système de mesure de l'énergie externe est raccordé.
- Il n'est pas possible de contrôler plusieurs appareils extérieurs simultanément.
- Il n'est pas possible de raccorder un cylindre ou une unité Hydrobox à une télécommande M-NET et à une commande centralisée.
- Le verrouillage de la chaudière n'est possible qu'en cas de commutation sur la température de l'air extérieur.
- Un cylindre ou une unité Hydrobox ne peut pas être groupé avec un appareil intérieur ATA.
- En cas de fonctionnement simultané d'un cylindre ou d'une unité Hydrobox en **Mode de chauffage** et d'appareils intérieurs ATA, tenez compte des points suivants.
  - La plage de température de l'air pulsé de chauffage du cylindre ou de l'unité Hydrobox est de 45 °C - 55 °C.
  - Veuillez régler la plage de température du flux conformément aux indications du manuel d'installation du cylindre ou de l'unité Hydrobox.
  - La température extérieure doit être de -10 °C au minimum. Lorsque la température extérieure est inférieure à 7 °C, la température du flux et la température de purge diminuent.
- Le fonctionnement simultané d'un cylindre ou d'une unité Hydrobox en **mode DHW** et d'appareils intérieurs ATA n'est possible que si la température extérieure est de 7 °C ou plus. Lorsque la température extérieure est inférieure à 7 °C, ces appareils ne peuvent pas fonctionner simultanément.

#### 2.5.3. Réglages du commutateur

Lors du raccordement d'un cylindre ou d'une unité Hydrobox à un appareil PUMY, régler le commutateur DIP SW1-2 du cylindre ou de l'unité Hydrobox sur OFF.

#### 2.5.4. Essai de fonctionnement

Effectuer l'essai de fonctionnement du cylindre ou de l'unité Hydrobox depuis l'appareil intérieur.

(Pour plus de détails sur l'essai de fonctionnement, se reporter au manuel d'installation du cylindre ou de l'unité Hydrobox.)

#### 2.5.5. Récupération du réfrigérant (aspiration)

Suivre les procédures de la section 7.3.

### 2.6. Raccordement d'un appareil intérieur de refroidissement uniquement

Si un système comprend un ou plusieurs appareils intérieurs de refroidissement uniquement, régler tout le système comme un système de refroidissement.

Régler les appareils comme indiqué au tableau 4.

Tableau 4 Procédure de réglage de refroidissement uniquement

Appareil		Réglage
Appareil extérieur	PUMY-P-V/YKM(E)4	Commutateur DIP SW2-6 sur circuit imprimé du panneau de multi commande : ON
Boîtier de dérivation	PAC-MK-BC(B)	Commutateur DIP SW4-5 sur circuit imprimé du contrôleur de boîtier de dérivation : ON
Appareil intérieur	Série CITY MULTI	Commutateur DIP SW3-1 sur circuit imprimé du contrôleur d'appareil intérieur : ON
	Série M, S, P	Aucun réglage n'est nécessaire.

### 2.7. Raccordement d'un PEFY-P-VMA3-E

Avec un PEFY-P-VMA3-E, utilisez les combinaisons suivantes pour les appareils intérieurs raccordés.

	PUMY-P112	PUMY-P125	PUMY-P140
OK	PEFY-P25VMA3-E × 2 + PEFY-P32VMA3-E × 2	PEFY-P32VMA3-E × 4	PEFY-P32VMA3-E × 3 + PEFY-P40VMA3-E × 1
NON	Toutes les combinaisons sauf les combinaisons ci-dessus Ex. 1 : PEFY-P25VMA3-E × 2 + PEFY-P32VMA-E × 2 Ex. 2 : PEFY-P25VMA3-E × 2 + PEFY-P32VMA3-E × 1 Ex. 3 : PEFY-P32VMA3-E × 4 (Une combinaison pour un PUMY-P125) Ex. 4 : PEFY-P25VMA3-E × 2 + PEFY-P32VMA3-E × 2 + MSZ-FH25VE × 1	Toutes les combinaisons sauf les combinaisons ci-dessus Ex. 1 : PEFY-P32VMA3-E × 3 + PEFY-P32VMA-E × 1 Ex. 2 : PEFY-P32VMA3-E × 3 Ex. 3 : PEFY-P25VMA3-E × 2 + PEFY-P32VMA3-E × 2 (Une combinaison pour un PUMY-P112) Ex. 4 : PEFY-P32VMA3-E × 3 + PLFY-P20VFM-E × 1 + SEZ-KD25VA × 1	Toutes les combinaisons sauf les combinaisons ci-dessus Ex. 1 : PEFY-P32VMA3-E × 3 + PEFY-P40VMA-E × 1 Ex. 2 : PEFY-P32VMA3-E × 2 + PEFY-P40VMA3-E × 1 Ex. 3 : PEFY-P32VMA3-E × 4 (Une combinaison pour un PUMY-P125) Ex. 4 : PEFY-P32VMA3-E × 3 + PCFY-P40VKM-E × 1 + MSZ-SF15VA × 1

- Ex. 1 : Un appareil pour plafond autre qu'un appareil de la série VMA3 est sélectionné. Les combinaisons avec une autre série d'appareils pour plafond ne sont pas possibles.  
Ex. 2 : Le nombre d'appareils est incorrect.  
Ex. 3 : La combinaison s'applique à un appareil d'une capacité différente.  
Ex. 4 : La combinaison n'est pas une combinaison "OK".

### 2.8. Raccordement d'un PLFY-EP-VEM-E

Pour le PLFY-EP-VEM-E, jusqu'à 2 appareils peuvent être connectés.

D'autres appareils intérieurs\*1 peuvent être connectés jusqu'à la capacité nominale totale et le nombre maximum d'appareils connectés.

\*1 Sauf pour le PEFY-P-VMA3-E et le PEFY-P-VMH-EF.

## 2. Emplacement d'installation

### 2.9. Ventilation et espace de service

#### 2.9.1. Lors de l'installation d'un seul appareil extérieur

Le dimensions minimales sont les suivantes, à l'exception des valeurs Max., indiquant les dimensions maximales.

Utiliser les chiffres pour chaque cas.

- ① Obstacles uniquement à l'arrière (Fig. 2-3)
- ② Obstacles uniquement à l'arrière et au-dessus (Fig. 2-4)
  - \* Ne pas utiliser les guidages de sortie d'air en option pour un débit d'air vers le haut.
- ③ Obstacles uniquement à l'arrière et sur les côtés (Fig. 2-5)
- ④ Obstacles uniquement à l'avant (Fig. 2-6)
  - \* Lors de l'utilisation d'un guidage de sortie d'air en option, le jeu est de 500 mm minimum.
- ⑤ Obstacles uniquement à l'avant et à l'arrière (Fig. 2-7)
  - \* Lors de l'utilisation d'un guidage de sortie d'air en option, le jeu est de 500 mm minimum.
- ⑥ Obstacles uniquement à l'arrière, sur les côtés et au-dessus (Fig. 2-8)
  - \* Ne pas utiliser les guidages de sortie d'air en option pour un débit d'air vers le haut.

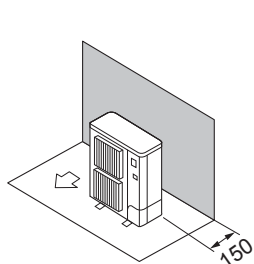


Fig. 2-3

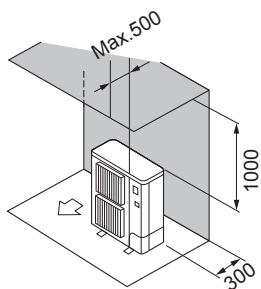


Fig. 2-4

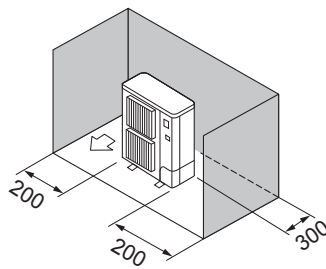


Fig. 2-5

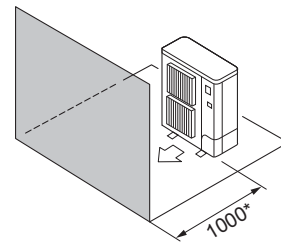


Fig. 2-6

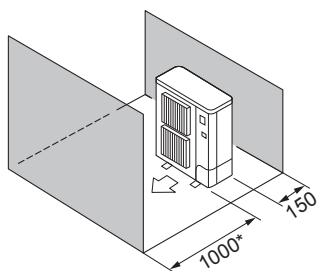


Fig. 2-7

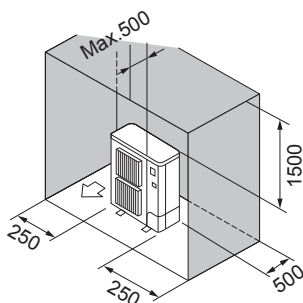


Fig. 2-8

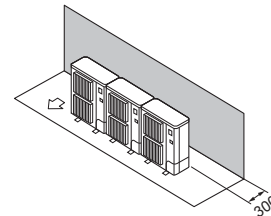


Fig. 2-9

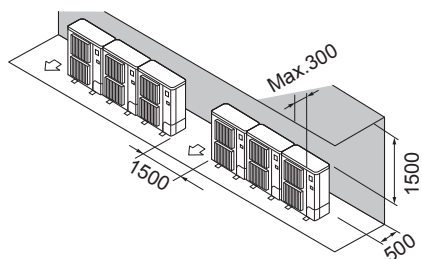


Fig. 2-10

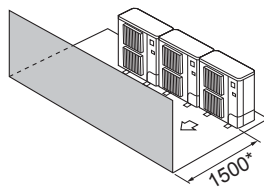


Fig. 2-11

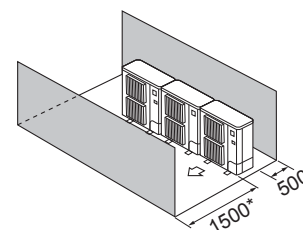


Fig. 2-12

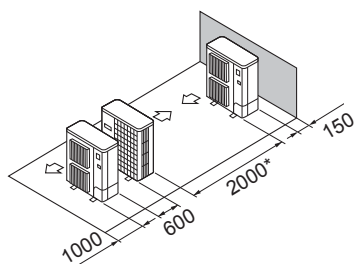


Fig. 2-13

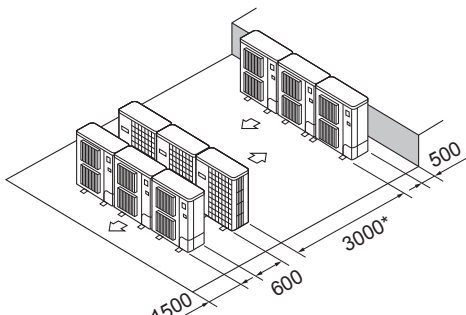


Fig. 2-14

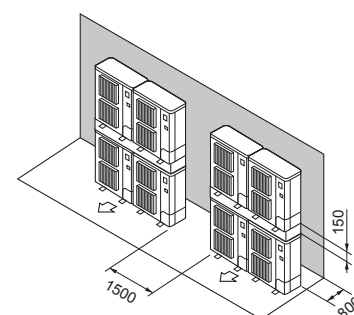


Fig. 2-15

#### 2.9.2. Lors de l'installation de plusieurs appareils extérieurs

Espacer les appareils de 25 mm minimum.

- ① Obstacles uniquement à l'arrière (Fig. 2-9)
- ② Obstacles uniquement à l'arrière et au-dessus (Fig. 2-10)
  - \* Ne pas installer côte à côte plus de trois appareils. Espacer également les appareils, comme illustré.
  - \* Ne pas utiliser les guidages de sortie d'air en option pour un débit d'air vers le haut.
- ③ Obstacles uniquement à l'avant (Fig. 2-11)
- \* Lors de l'utilisation d'un guidage de sortie d'air en option, le jeu est de 1000 mm minimum.
- ④ Obstacles uniquement à l'avant et à l'arrière (Fig. 2-12)
  - \* Lors de l'utilisation d'un guidage de sortie d'air en option, le jeu est de 1000 mm minimum.
- ⑤ Disposition pour un seul appareil parallèle (Fig. 2-13)
  - \* Lors de l'utilisation d'un guidage de sortie d'air en option installé pour un débit d'air vers le haut, le jeu est de 1000 mm minimum.
- ⑥ Disposition pour plusieurs appareils parallèles (Fig. 2-14)
  - \* Lors de l'utilisation d'un guidage de sortie d'air en option installé pour un débit d'air vers le haut, le jeu est de 1500 mm minimum.
- ⑦ Disposition pour appareils empilés (Fig. 2-15)
  - \* Il est possible d'empiler jusqu'à deux appareils.
  - \* Ne pas installer côte à côte plus de deux appareils empilés. Espacer également les appareils, comme illustré.

## 2. Emplacement d'installation

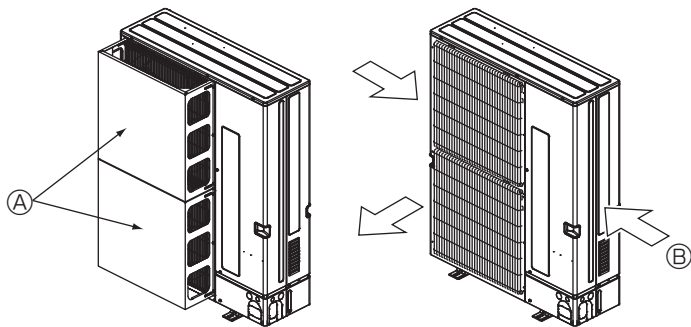


Fig. 2-16

Fig. 2-17

### 2.9.3. Installation à un endroit exposé au vent

Lors de l'installation de l'appareil extérieur sur un toit ou à d'autres endroits non protégés du vent, diriger la sortie d'air de l'appareil vers le côté qui n'est pas directement exposé aux vents forts. Le vent soufflant dans la sortie d'air peut empêcher l'air de circuler normalement et provoquer un dysfonctionnement.

Vous trouverez ci-dessous 2 exemples concernant les précautions à prendre en cas de vent violent.

- ① Installer un guidage d'air optionnel si l'appareil est placé dans un endroit où les vents violents d'un typhon par exemple pourraient s'engouffrer directement dans la sortie d'air. (Fig. 2-16)
  - Ⓐ Guidage d'air
- ② Placer l'appareil de sorte que la sortie d'air souffle dans la direction perpendiculaire à celle des vents saisonniers, si celle-ci est connue. (Fig. 2-17)
  - Ⓑ Sens du vent

## 3. Installation de l'appareil extérieur

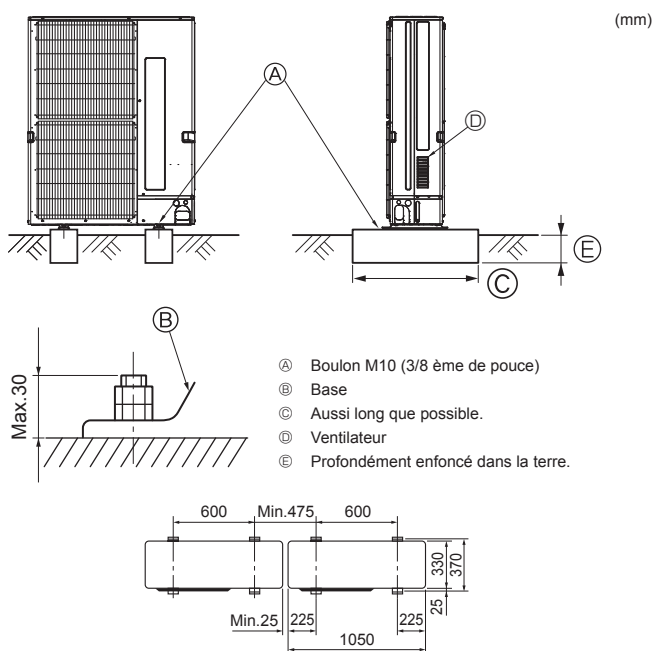


Fig. 3-1

- Bien installer l'appareil sur une surface solide et de niveau, de façon à éviter tout bruit de crécelle pendant le fonctionnement. (Fig. 3-1)

<Spécifications de la fondation>

Boulon de fondation	M10 (3/8 ème de pouce)
Épaisseur de béton	120 mm
Longueur des boulons	70 mm
Résistance au poids	320 kg

- S'assurer que la longueur des boulons de fondation ne dépasse pas 30 mm par rapport à la surface inférieure de la base.
- Fixer fermement la base de l'appareil avec quatre boulons de fondation M10 placés à des endroits suffisamment robustes.

### Installation de l'appareil extérieur

- Ne pas bloquer le ventilateur. Si le ventilateur est bloqué, l'appareil sera ralenti et risque d'être endommagé.
- Pour installer l'appareil, utiliser, si nécessaire et en plus de la base de l'appareil, les orifices d'installation situés à l'arrière pour fixer les câbles, etc. Utiliser des vis autotaraudeuses ( $\varnothing 5 \times 15$  mm maximum) et installer l'appareil sur site.

### ⚠ Avertissement:

- L'appareil doit être solidement installé sur une structure pouvant supporter son poids. Si l'appareil est fixé sur une structure instable, il risque de tomber et de provoquer des dommages ou des blessures.
- L'appareil doit être installé conformément aux instructions pour réduire les risques de dommages liés à des tremblements de terre, des typhons ou des vents violents. Une installation incorrecte peut entraîner la chute de l'appareil et provoquer des dommages ou des blessures.

### ⚠ Attention:

- Installer l'appareil sur une structure rigide afin d'éviter de produire des bruits de fonctionnement et des vibrations excessifs.

## 4. Installation de la tuyauterie du réfrigérant

### 4.1. Consignes pour appareils utilisant le réfrigérant R410A

- Se reporter à la page 47 pour les consignes non reprises ci-dessous concernant l'utilisation de climatiseurs avec un réfrigérant R410A.
- Appliquer une petite quantité d'huile ester, éther ou alkylbenzène comme huile réfrigérante sur les sections évasées.
- Utiliser le cuivre phosphoreux C1220, pour des tuyaux sans soudure en cuivre et en alliage de cuivre, pour raccorder les tuyaux de réfrigérant. Utiliser les tuyaux de réfrigérant dont l'épaisseur est spécifiée dans le tableau ci-dessous. Vérifier que l'intérieur des tuyaux est propre et dépourvu de tout agent nocif tel que des composés sulfuriques, des oxydants, des débris ou des saletés.

### ⚠ Avertissement:

Lors de l'installation, du déplacement ou de l'entretien du climatiseur, n'utilisez que le réfrigérant spécifié (R410A) pour remplir les tuyaux de réfrigérant. Ne pas le mélanger avec un autre réfrigérant et faire le vide d'air dans les tuyaux.

Si du réfrigérant est mélangé avec de l'air, cela peut provoquer des pointes de pression dans les tuyaux de réfrigérant et entraîner une explosion et d'autres risques.

L'utilisation d'un réfrigérant différent de celui spécifié pour le climatiseur peut entraîner des défaillances mécaniques, des dysfonctionnements du système ou une panne de l'appareil. Dans le pire des cas, cela peut entraîner un obstacle à la mise en sécurité du produit.

$\varnothing 6,35$ , $\varnothing 9,52$ , $\varnothing 12,7$	Épaisseur 0,8 mm
$\varnothing 15,88$	Épaisseur 1,0 mm

- Ne pas utiliser de tuyaux plus fins que ceux spécifiés ci-dessus.
- Les épaisseurs du tableau ci-dessus sont basées sur les normes japonaises. Utilisez des tuyaux présentant une pression de fonctionnement maximale de 4,15 MPa [601 PSIG] ou plus selon les normes locales.

## 4. Installation de la tuyauterie du réfrigérant

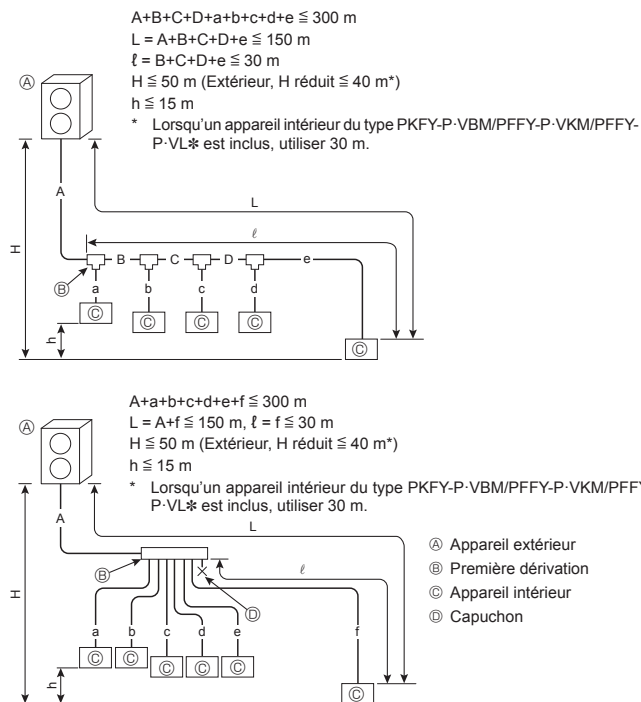


Fig. 4-1

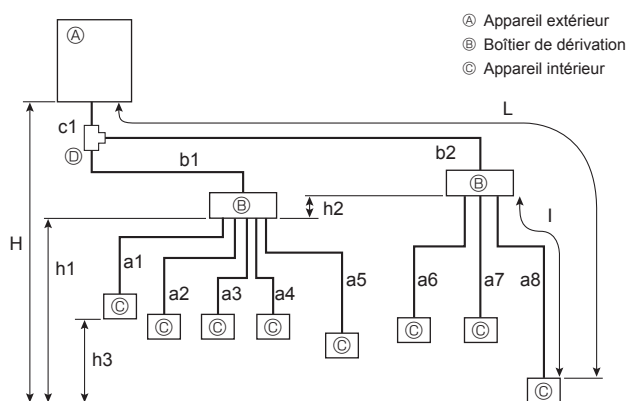


Fig. 4-2

Longueur admise (un sens)	Longueur de tuyau totale	$c1 + b1 + b2 + a1 + a2 + a3 + a4 + a5 + a6 + a7 + a8 \leq 150$ m
	Longueur de tuyau maximum (L)	$c1 + b2 + a8 \leq 80$ m
	Longueur de tuyau entre l'appareil extérieur et les boîtiers de dérivation	$c1 + b1 + b2 \leq 55$ m
	Boîtier de dérivation le plus éloigné du premier joint (b2)	$b2 \leq 30$ m
	Longueur de tuyau maximum après le boîtier de dérivation (I)	$a8 \leq 25$ m
Différence de hauteur admise (un sens)	Longueur de tuyau totale entre les boîtiers de dérivation et les appareils intérieurs	$a1 + a2 + a3 + a4 + a5 + a6 + a7 + a8 \leq 95$ m
	Dans la section intérieure/extérieure (H)*1	$H \leq 50$ m (Si l'appareil extérieur est placé plus haut que l'appareil intérieur) $H \leq 40$ m (Si l'appareil extérieur est placé plus bas que l'appareil intérieur)
	Dans la section boîtier de dérivation/appareil intérieur (h1)	$h1 + h2 \leq 15$ m
	Dans chaque appareil de dérivation (h2)	$h2 \leq 15$ m
Nombre de coudes	Dans chaque appareil intérieur (h3)	$h3 \leq 12$ m
		$ c1 + b1 + a1 ,  c1 + b1 + a2 ,  c1 + b1 + a3 ,  c1 + b1 + a4 ,  c1 + b1 + a5 ,  c1 + b2 + a6 ,  c1 + b2 + a7 ,  c1 + b2 + a8  \leq 15$

\*1 Placer le boîtier de dérivation à une hauteur comprise entre celle de l'appareil extérieur et des appareils intérieurs.

## 4.2. Longueur de tuyau et différence de hauteur

### 4.2.1. Raccordement sans boîtier de dérivation (Fig. 4-1)

A	(mm)	
	(A) Conduit de liquide	(B) Conduit de gaz
PUMY-P112-140	$\varnothing 9,52$	$\varnothing 15,88$

B, C, D	(mm)	
(C) Puissance totale des appareils intérieurs	(A) Conduit de liquide	(B) Conduit de gaz
	$\varnothing 9,52$	$\varnothing 15,88$

a, b, c, d, e, f	(mm)	
(B) Numéro de modèle	(A) Conduit de liquide	(B) Conduit de gaz
15, 20, 25, 32, 40, 50	$\varnothing 6,35$	$\varnothing 12,7$
63, 80, 100, 125, 140	$\varnothing 9,52$	$\varnothing 15,88$

(E) Modèle du kit de dérivation
CMY-Y62-G-E

(F) 4-Socle de dérivation	(G) 8-Socle de dérivation
CMY-Y64-G-E	CMY-Y68-G-E

\* Lors du raccordement du KIT DE CONNEXION (PAC-LV11M-J) et d'un appareil intérieur de la série M, se reporter au manuel d'installation du KIT DE CONNEXION pour la sélection de la dimension de tuyau et de la longueur de tuyauterie.

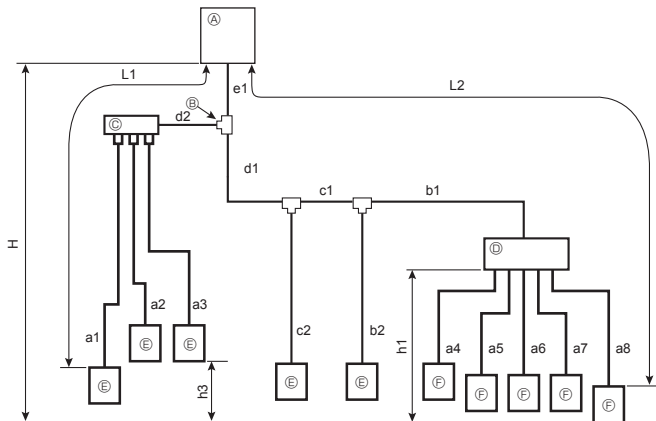
### 4.2.2. Raccordement avec boîtier de dérivation (Fig. 4-2)

- Cet appareil intègre des raccords évasés de chaque côté des appareils intérieurs, du boîtier de dérivation et de l'appareil extérieur.
- Retirer le couvercle de soupape de l'appareil extérieur, puis raccorder le tuyau.
- Les tuyaux de réfrigérant servent à raccorder le boîtier de dérivation et l'appareil extérieur.

## 4. Installation de la tuyauterie du réfrigérant

### 4.2.3. Système mixte (appareils intérieurs City Multi et appareils intérieurs Série M, S, P via boîtier de dérivation) (Fig. 4-3)

#### 1. En cas d'utilisation de boîtiers de dérivation à 1 branche



- Ⓐ Appareil extérieur
- Ⓑ Premier joint
- Ⓒ Collecteur (CMY)
- Ⓓ Boîtier de dérivation (PAC-MK-BC(B))
- Ⓔ Appareil intérieur CityMulti\*
- Ⓕ Appareil intérieur Série M, S, P, cylindre ou unité Hydrobox
- \* Les appareils intérieurs du type PKFY-P-VBM, PFFY-P-VKM et PFFY-P-VL\* ne peuvent pas être utilisés dans un système mixte.

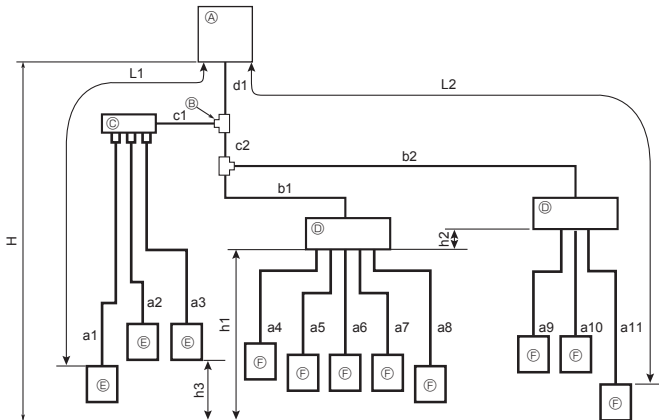
Fig. 4-3 (a)

Longueur possible (une direction)	Longueur de tuyauterie totale	$e1 + d1 + d2 + c1 + c2 + b1 + b2 + a1 + a2 + a3 + a4 + a5 + a6 + a7 + a8 \leq 300 \text{ m} *3$
	Longueur de tuyauterie la plus éloignée (L1)	$e1 + d2 + a1$ ou $e1 + d1 + c1 + b2 \leq 85 \text{ m}$
	Longueur de tuyauterie la plus éloignée. Via boîtier de dérivation (L2)	$e1 + d1 + c1 + b1 + a8 \leq 80 \text{ m}$
	Longueur de tuyauterie entre appareil extérieur et boîtier de dérivation	$e1 + d1 + c1 + b1 \leq 55 \text{ m}$
	Longueur de tuyauterie la plus éloignée du premier joint	$d1 + c1 + b1, d1 + c1 + b2, d1 + c2$ ou $d2 + c1 \leq 30 \text{ m}$
	Longueur de tuyauterie la plus éloignée après le boîtier de dérivation	$a8 \leq 25 \text{ m}$
Différence de hauteur possible (une direction)	Dans la section intérieur/extérieur (H) *2	$H \leq 50 \text{ m}$ (si l'appareil extérieur est plus haut que l'appareil intérieur) $H \leq 40 \text{ m}$ (si l'appareil extérieur est plus bas que l'appareil intérieur)
	Dans la section boîtier de dérivation/appareil intérieur (h1)	$h1 \leq 15 \text{ m}$
	Dans chaque appareil intérieur (h3)	$h3 \leq 12 \text{ m}$
Nombre de coudes		$ e1 + d2 + a1 ,  e1 + d2 + a2 ,  e1 + d2 + a3 ,  e1 + d1 + c2 ,  e1 + d1 + c1 + b2 ,  e1 + d1 + c1 + b1 + a4 ,  e1 + d1 + c1 + b1 + a5 ,  e1 + d1 + c1 + b1 + a6 ,  e1 + d1 + c1 + b1 + a7 ,  e1 + d1 + c1 + b1 + a8  \leq 15$

\*2 : Le boîtier de dérivation doit être placé à un niveau intermédiaire entre celui des appareils extérieurs et intérieurs.

\*3 : Lorsqu'un cylindre ou une unité Hydrobox est connecté, la longueur de tuyauterie maximum est de 150 m.

#### 2. In case of using 2-Branch boxes



- Ⓐ Appareil extérieur
- Ⓑ Premier joint
- Ⓒ Collecteur (CMY)
- Ⓓ Boîtier de dérivation (PAC-MK-BC(B))
- Ⓔ Appareil intérieur CityMulti\*
- Ⓕ Appareil intérieur Série M, S, P, cylindre ou unité Hydrobox
- \* Les appareils intérieurs du type PKFY-P-VBM, PFFY-P-VKM et PFFY-P-VL\* ne peuvent pas être utilisés dans un système mixte.

Fig. 4-3 (b)

Longueur possible (une direction)	Longueur de tuyauterie totale	$d1 + c1 + c2 + b1 + b2 + a1 + a2 + a3 + a4 + a5 + a6 + a7 + a8 + a9 + a10 + a11 \leq 240 \text{ m} *3$
	Longueur de tuyauterie la plus éloignée (L1)	$d1 + c1 + a1 \leq 85 \text{ m}$
	Longueur de tuyauterie la plus éloignée. Via boîtier de dérivation (L2)	$d1 + c2 + b2 + a11 \leq 80 \text{ m}$
	Longueur de tuyauterie entre appareil extérieur et boîtiers de dérivation	$d1 + c2 + b1 + b2 \leq 55 \text{ m}$
	Longueur de tuyauterie la plus éloignée du premier joint	$c2 + b2$ ou $c1 + a1 \leq 30 \text{ m}$
	Longueur de tuyauterie la plus éloignée après le boîtier de dérivation	$a11 \leq 25 \text{ m}$
	Boîtier de dérivation le plus éloigné de l'appareil extérieur	$d1 + c2 + b2 \leq 55 \text{ m}$
Différence de hauteur possible (une direction)	Dans la section intérieur/extérieur (H) *2	$H \leq 50 \text{ m}$ (si l'appareil extérieur est plus haut que l'appareil intérieur) $H \leq 40 \text{ m}$ (si l'appareil extérieur est plus bas que l'appareil intérieur)
	Dans la section boîtier de dérivation/appareil intérieur (h1+h2)	$h1 + h2 \leq 15 \text{ m}$
	Dans chaque boîtier de dérivation (h1)	$h2 \leq 15 \text{ m}$
	Dans chaque appareil intérieur (h3)	$h3 \leq 12 \text{ m}$
Nombre de coudes		$ d1 + c1 + a1 ,  d1 + c1 + a2 ,  d1 + c1 + a3 ,  d1 + c2 + b1 + a4 ,  d1 + c2 + b1 + a5 ,  d1 + c2 + b1 + a6 ,  d1 + c2 + b1 + a7 ,  d1 + c2 + b1 + a8 ,  d1 + c2 + b2 + a9 ,  d1 + c2 + b2 + a10 ,  d1 + c2 + b2 + a11  \leq 15$

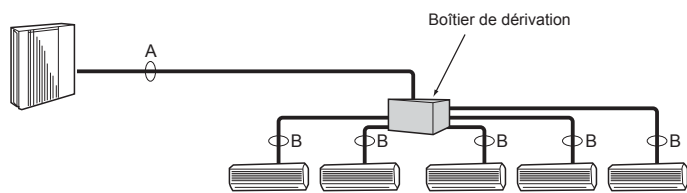
\*2 : Le boîtier de dérivation doit être placé à un niveau intermédiaire entre celui des appareils extérieurs et intérieurs.

\*3 : Lorsqu'un cylindre ou une unité Hydrobox est connecté, la longueur de tuyauterie maximum est de 150 m.

## 4. Installation de la tuyauterie du réfrigérant

### ■ En cas d'utilisation d'1 boîtier de dérivation

Raccordement évasé utilisé. (Pas de brasage)



### ■ En cas d'utilisation de 2 boîtiers de dérivation

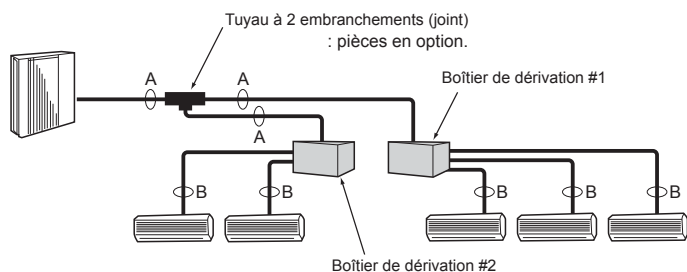


Fig. 4-4

(1) Taille de la vanne pour l'appareil extérieur

Pour les liquides	ø9,52 mm
Pour le gaz	ø15,88 mm

(2) Taille de la vanne pour le boîtier de dérivation

APPAREIL	Conduit de liquide	ø6,35 mm
Ⓐ APPAREIL	Conduit de gaz	ø9,52 mm
Ⓑ APPAREIL	Conduit de liquide	ø6,35 mm
	Conduit de gaz	ø9,52 mm
Ⓒ APPAREIL	Conduit de liquide	ø6,35 mm
	Conduit de gaz	ø9,52 mm
Ⓓ APPAREIL	Conduit de liquide	ø6,35 mm
	Conduit de gaz	ø9,52 mm
Ⓔ APPAREIL	Conduit de liquide	ø6,35 mm
	Conduit de gaz	ø12,7 mm

\* Type à 3 embranchements : uniquement l'appareil Ⓐ, Ⓑ, Ⓒ

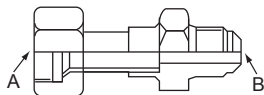


Fig. 4-5

Formule de conversion

1/4 F	ø6,35
3/8 F	ø9,52
1/2 F	ø12,7
5/8 F	ø15,88
3/4 F	ø19,05

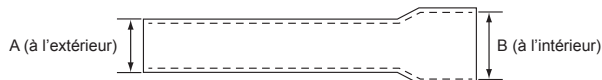


Fig. 4-6

## 4.3. Sélection de la taille du tuyau

### 4.3.1. Raccordement sans boîtier de dérivation

		Appareil intérieur		Appareil extérieur
		15-50	63-140	112-140
Côté gaz	Diamètre du tuyau (mm)	ø12,7	ø15,88	ø15,88
Côté liquide	Diamètre du tuyau (mm)	ø6,35	ø9,52	ø9,52

### 4.3.2. Raccordement avec boîtier de dérivation (Fig. 4-4)

	A	B
Liquide (mm)	ø9,52	La taille des raccords de tuyau diffère selon le type et la capacité des appareils intérieurs. Adapter la taille du raccordement du tuyau du boîtier de dérivation à l'appareil intérieur. Si la taille du raccordement du tuyau du boîtier de dérivation diffère de celle du raccordement du tuyau de l'appareil intérieur, utiliser des joints de diamètre différent (déformés), disponibles en option, au niveau du boîtier de dérivation. (Raccorder le joint déformé directement au niveau du boîtier de dérivation.)
Gaz (mm)	ø15,88	

### Joint de diamètre différent (pièces disponibles en option) (Fig. 4-5)

Nom de modèle	Diamètre des tuyaux raccordés	Diamètre A	Diamètre B
	mm	mm	mm
MAC-A454JP	ø9,52 → ø12,7	ø9,52	ø12,7
MAC-A455JP	ø12,7 → ø9,52	ø12,7	ø9,52
MAC-A456JP	ø12,7 → ø15,88	ø12,7	ø15,88
PAC-493PI	ø6,35 → ø9,52	ø6,35	ø9,52
PAC-SG76RJ-E	ø9,52 → ø15,88	ø9,52	ø15,88

### Joint de diamètre différent (pièces disponibles en option) (Fig. 4-6)

Nom de modèle	Diamètre des tuyaux raccordés	Diamètre extérieur A	Diamètre intérieur B
	mm	mm	mm
PAC-SG78RJB-E	ø9,52 → ø12,7	ø9,52	ø12,7
PAC-SG79RJB-E	ø12,7 → ø9,52	ø12,7	ø9,52
PAC-SG80RJB-E	ø12,7 → ø15,88	ø12,7	ø15,88
PAC-SG77RJB-E	ø6,35 → ø9,52	ø6,35	ø9,52
PAC-SG76RJB-E	ø9,52 → ø15,88	ø9,52	ø15,88

### Préparation du tuyau

① Le tableau ci-dessous présente les spécifications des tuyaux disponibles dans le commerce.

Diamètre extérieur	Epaisseur de l'isolation		Matériau d'isolation
	mm	mm	
6,35	8	Plastique expansé résistant à la chaleur ayant une gravité spécifique de 0,045.	
9,52	8		
12,7	8		
15,88	8		

② Vérifier que les 2 tuyaux de réfrigérant sont isolés pour empêcher la formation de condensation.

③ Le rayon de pliage du tuyau de réfrigérant doit être de 100 mm minimum.

### ⚠ Précaution :

Veiller à utiliser l'isolation de l'épaisseur indiquée. Une épaisseur trop importante peut engendrer une installation incorrecte de l'appareil intérieur et du boîtier de dérivation; une épaisseur trop faible peut provoquer un égouttement de la condensation.

Tuyau à 2 embranchements (Joint) : Pièces disponibles en option (en fonction de la méthode de raccordement choisie, il est possible de choisir votre préférée).

Nom de modèle	Méthode de raccordement
MSDD-50AR-E	évasement
MSDD-50BR-E	brasage

### ■ Procédure d'installation (tuyau à 2 embranchements (Joint))

Veillez consulter les manuels d'installation des MSDD-50AR-E et MSDD-50BR-E.

### ■ Taille du tuyau (Appareil extérieur/Boîtier de dérivation)

	A Tuyau à liquide	B Tuyau à gaz
PUMY-P112-140	ø9,52	ø15,88

### ■ Taille du tuyau (Boîtier de dérivation/Appareil intérieur) Cas des appareils intérieurs de la série M ou S \*1

Série de l'appareil intérieur	Numéro de modèle	A Tuyau à liquide	B Tuyau à gaz
Série M ou Série S	15~42	ø6,35	ø9,52
	50	ø6,35	ø12,7
	60	ø6,35	ø15,88
	71~80	ø9,52	ø15,88
Série P	35, 50 *2	ø6,35	ø12,7
	60~100	ø9,52	ø15,88
Cylindre	-	ø9,52	ø15,88
Unité Hydrobox	-	ø9,52	ø15,88

\*1 La connexion réglage d'un appareil intérieur raccordable dépend de la région/du pays.

\*2 Dans le cas d'un appareil intérieur de type 35 et 50 de la série P, utiliser l'écrou évasé fourni avec l'appareil intérieur.

Ne pas utiliser l'écrou évasé comme accessoire de l'appareil intérieur. Dans le cas contraire, une fuite de gaz voire une extraction du tuyau pourraient se produire.

## 4. Installation de la tuyauterie du réfrigérant

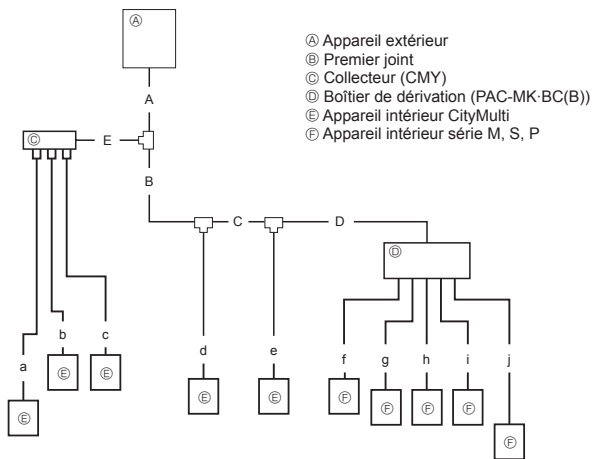


Fig. 4-7

### 4.3.3. Système mixte (appareils intérieurs City Multi et appareils intérieurs série M, S, P via boîtier de dérivation) (Fig. 4-7)

#### Diamètre du tuyau

A, B, C, D, E

	A Tuyau à liquide	B Tuyau à gaz
PUMY-P112-140	ø9,52	ø15,88

a, b, c~j

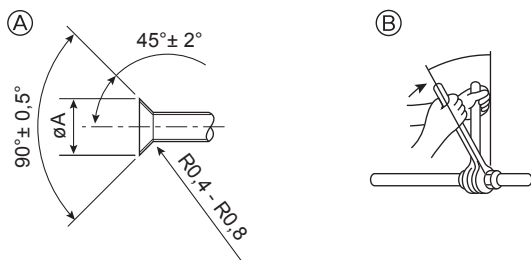
Série de l'appareil intérieur	Numéro de modèle	A Tuyau à liquide	B Tuyau à gaz
CityMulti	15~50	ø 6,35	ø 12,7
	63~140	ø 9,52	ø 15,88
Série M ou Série S	15~42	ø 6,35	ø 9,52
	50	ø 6,35	ø 12,7
	60	ø 6,35	ø 15,88
	71~80	ø 9,52	ø 15,88
Série P	35, 50 *1	ø 6,35	ø 12,7
	60~100	ø 9,52	ø 15,88
Cylindre	—	ø 9,52	ø 15,88
Unité Hydrobox	—	ø 9,52	ø 15,88

Joint à 2 dérivation	CMY-Y62-G-E
Collecteur à 4 dérivation	CMY-Y64-G-E
Collecteur à 8 dérivation	CMY-Y68-G-E

\*1 Dans le cas d'un appareil intérieur de type 35 et 50 de la série P, utiliser l'écrou évasé fourni avec l'appareil intérieur.

Ne pas utiliser l'écrou évasé comme accessoire de l'appareil intérieur. Dans le cas contraire, une fuite de gaz voire une extraction du tuyau pourraient se produire.

## 4. Installation de la tuyauterie du réfrigérant



Ⓐ Dimension de l'évasement  
Ⓑ Couple de serrage du raccord conique

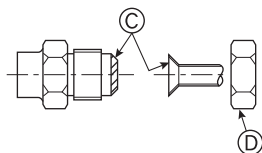


Fig. 4-8

Ⓐ (Fig. 4-8)

Diam. ext. Tuyau en cuivre (mm)	Dimensions évasement Dimensions øA (mm)
ø6,35	8,7 - 9,1
ø9,52	12,8 - 13,2
ø12,7	16,2 - 16,6
ø15,88	19,3 - 19,7

Ⓑ (Fig. 4-8)

Diam. ext. Tuyau en cuivre (mm)	Diam. ext. raccord conique (mm)	Couple de serrage (N·m)
ø6,35	17	14 - 18
ø6,35	22	34 - 42
ø9,52	22	34 - 42
ø12,7	26	49 - 61
ø12,7	29	68 - 82
ø15,88	29	68 - 82
ø15,88	36	100 - 120

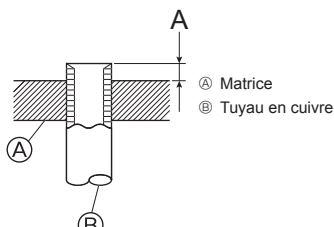
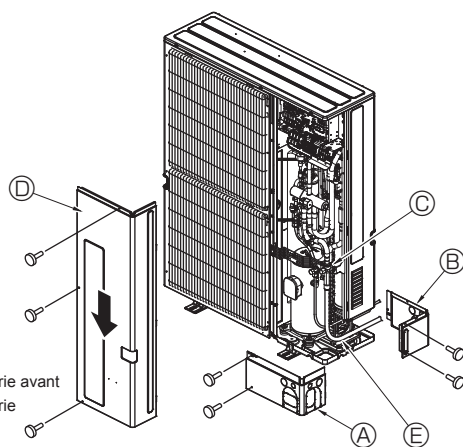


Fig. 4-9



Ⓐ Couvercle de la tuyauterie avant  
Ⓑ Couvercle de la tuyauterie  
Ⓒ Vanne d'arrêt  
Ⓓ Panneau de service  
Ⓔ Rayon de cintrage : 100 mm - 150 mm

Fig. 4-10

### 4.4. Connexion des tuyaux (Fig. 4-8)

- Isoler et protéger efficacement le système contre la condensation, de manière à empêcher tout écoulement d'eau de la tuyauterie de réfrigérant. (Tuyau de liquide/de gaz)
- Augmenter l'isolation en fonction de l'environnement dans lequel la tuyauterie de réfrigérant est installée, sinon de la condensation peut se former à la surface du matériau d'isolation. (Matériau d'isolation résistant à une température de 120 °C ; épaisseur : 15 mm ou plus)
  - Lorsque la tuyauterie de réfrigérant est placée dans des endroits soumis à des températures élevées et à une forte humidité, dans un grenier par exemple, une isolation supplémentaire peut être nécessaire.
- Pour isoler la tuyauterie de réfrigérant, appliquer de la mousse de polyéthylène résistant à la chaleur entre l'appareil intérieur et le matériau d'isolation, ainsi que sur le filet entre les couches de matériau isolant, en remplissant tous les trous. (La formation de condensation sur la tuyauterie peut engendrer la formation de condensation dans le local ou provoquer des brûlures au contact de la tuyauterie).
- Les parties intérieures du tuyau d'écoulement doivent également être entourées de matière isolante en mousse de polyéthylène (avec une poids spécifique de 0,03 et de 9 mm d'épaisseur ou plus).
- Appliquer un film mince d'huile réfrigérante sur la surface du tuyau et du support du joint avant de serrer l'écrou évasé. Ⓐ
- Utiliser deux clés pour serrer les connexions des tuyaux. Ⓑ
- Lorsque le raccord des tuyaux est terminé, utiliser un détecteur de fuite de gaz ou une solution savonneuse à base d'eau pour s'assurer qu'il n'y ait pas de fuite de gaz.
- Appliquer de l'huile réfrigérante sur toute la surface évasée du fond. Ⓒ
- Utiliser les écrous évasés correspondant aux tailles de tuyaux suivantes. Ⓓ
- Veiller à ne pas rompre les tuyaux lors de leur courbure. Des rayons de courbure compris entre 100 mm à 150 mm suffisent.
- Vérifier que les tuyaux ne touchent pas le compresseur. Des vibrations ou des bruits anormaux pourraient se produire.

- Raccorder les tuyaux en commençant par l'appareil intérieur. Serrer les écrous évasés à l'aide d'une clé dynamométrique.
- Evaser les conduits de liquide et de gaz, puis appliquer un film mince d'huile réfrigérante (application sur site).
- Si un procédé d'étanchéité traditionnel est utilisé pour les tuyaux, se reporter au tableau 3 pour l'évasement des tuyaux de réfrigérant R410A. La jauge de réglage de la taille peut être utilisée pour confirmer les mesures A.

#### ⚠ Avertissement:

**Pendant l'installation de l'appareil, brancher correctement les tuyaux de réfrigérant avant de lancer le compresseur.**

\* Pour le raccordement du KIT DE CONNEXION (PAC-LV11M-J), se reporter au manuel d'installation du KIT DE CONNEXION.

Tableau 3 (Fig. 4-9)

Diam. ext. Tuyau en cuivre (mm)	A (mm)	
	Outil d'évasement pour le R410A	Outil d'évasement pour le R22-R407C
	Type embrayage	
ø6,35	0 - 0,5	1,0 - 1,5
ø9,52	0 - 0,5	1,0 - 1,5
ø12,7	0 - 0,5	1,0 - 1,5
ø15,88	0 - 0,5	1,0 - 1,5
ø19,05	0 - 0,5	1,0 - 1,5

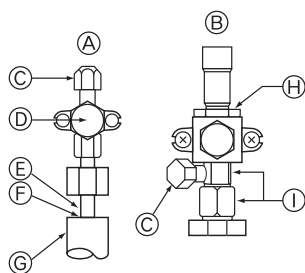
### 4.5. Mise en place des tuyaux de réfrigérant (Fig. 4-10)

Retirer le panneau de service Ⓓ (trois vis), le cache-tuyaux avant Ⓐ (deux vis) et le cache-tuyaux arrière Ⓑ (deux vis).

- Effectuer les raccordements des tuyaux de réfrigérant de l'appareil intérieur/extérieur lorsque la vanne d'arrêt de l'appareil extérieur est complètement fermée.
- Faire le vide d'air de l'appareil intérieur et des tuyaux de raccordement.
- Une fois les tuyaux de réfrigérant raccordés, vérifier les éventuelles fuites de gaz dans les tuyaux raccordés et l'appareil intérieur. (Voir 4.6. Test d'étanchéité des tuyaux de réfrigérant.)
- Vider les tuyaux de réfrigérant par l'orifice de service des vannes d'arrêt de liquide et de gaz. Puis, ouvrir complètement les vannes d'arrêt (de liquide et de gaz). Cette opération permet le raccordement complet des tuyaux de réfrigérant des appareils intérieur et extérieur.
  - Faire fonctionner l'appareil sans avoir ouvert les vannes d'arrêt risque d'endommager le compresseur et la vanne de commande.
  - Utiliser un détecteur de fuites ou de l'eau savonneuse pour vérifier les éventuelles fuites de gaz aux sections de raccordement des tuyaux de l'appareil extérieur.
  - Ne pas utiliser le réfrigérant de l'appareil pour faire le vide d'air des tuyaux de réfrigérant.
  - Après avoir utilisé les vannes, resserrer leurs capuchons au couple correct : 20 à 25 N·m (200 à 250 kgf·cm). Si les capuchons sont mal replacés ou resserrés, une fuite de réfrigérant peut se produire. Veiller également à ne pas endommager l'intérieur des capuchons des vannes car leur étanchéité empêche les fuites de réfrigérant.
- Appliquer un agent d'étanchéité sur les extrémités de l'isolation thermique autour des sections de raccordement des tuyaux afin d'empêcher l'eau de pénétrer dans l'isolation thermique.



## 4. Installation de la tuyauterie du réfrigérant



- Ⓐ Vanne d'arrêt <côté liquide>
- Ⓑ Vanne d'arrêt <côté gaz>
- Ⓒ Orifice pour l'entretien
- Ⓓ Section d'ouverture/fermeture
- Ⓔ Tuyau local
- Ⓕ Hermétique, idem pour le côté gaz
- Ⓖ Fourrure du tuyau
- Ⓗ Ne pas utiliser de clé ici. Il pourrait y avoir des fuites de réfrigérant.
- Ⓘ Utiliser deux clés ici.

Fig. 4-11

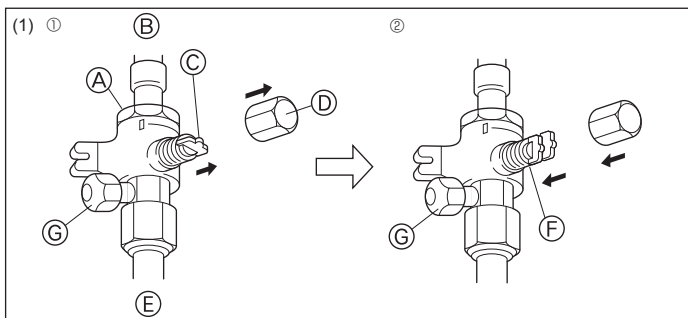


Fig. 4-12

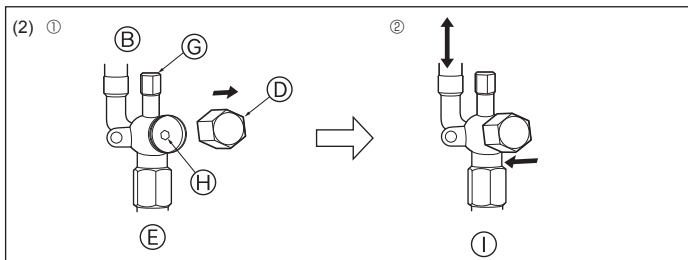
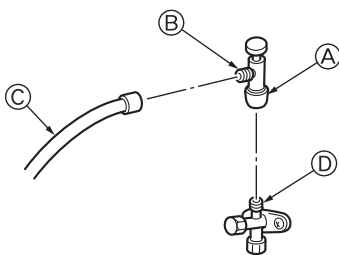


Fig. 4-13



- \* La figure à gauche n'est représentée qu'à titre d'exemple. La forme de la vanne d'arrêt, la position de l'ouverture de service, etc., peuvent différer selon le modèle.
- \* Tournez la section Ⓐ uniquement. (Ne serrez pas davantage les sections Ⓐ et Ⓑ l'une contre l'autre.)

- Ⓒ Flexible de charge
- Ⓓ Ouverture de service

Fig. 4-14

### 4.6. Test d'étanchéité des tuyaux de réfrigérant

- (1) Connecter les outils de test.
  - Vérifier que les vannes d'arrêt Ⓐ et Ⓑ sont fermées et ne pas les ouvrir.
  - Ajouter de la pression dans les tuyaux de réfrigérant par l'orifice de service Ⓒ de la vanne d'arrêt de liquide Ⓐ et de la vanne d'arrêt de gaz Ⓑ.
- (2) Ne pas ajouter en une seule fois de pression à la pression spécifiée mais progressivement.
  - ① Pressuriser jusqu'à 0,5 MPa (5 kgf/cm<sup>2</sup>G), attendre cinq minutes et vérifier que la pression ne diminue pas.
  - ② Pressuriser jusqu'à 1,5 MPa (15 kgf/cm<sup>2</sup>G), attendre cinq minutes et vérifier que la pression ne diminue pas.
  - ③ Pressuriser jusqu'à 4,15 MPa (41,5 kgf/cm<sup>2</sup>G), puis mesurer la température ambiante et la pression du réfrigérant.
- (3) Si la pression spécifiée se maintient pendant environ une journée sans diminuer, les tuyaux ne présentent pas de fuite.
  - Si la température ambiante varie de 1 °C, la pression varie d'environ 0,01 MPa (0,1 kgf/cm<sup>2</sup>G). Apporter les corrections nécessaires.
- (4) Si la pression diminue à l'étape (2) ou (3), il y a une fuite de gaz. Rechercher l'origine de la fuite de gaz.

### 4.7. Comment ouvrir la vanne d'arrêt

- (1) Côté gaz (Fig. 4-12)
  - ① Enlever le capuchon, ramener la poignée vers soi et la tourner d'un quart de tour en sens inverse des aiguilles d'une montre pour ouvrir la vanne.
  - ② Vérifier que la vanne d'arrêt est complètement ouverte, appuyer sur la poignée et tourner le capuchon pour le ramener sur sa position d'origine.
- (2) Côté liquide (Fig. 4-13)
  - ① Retirez le bouchon, et tournez la tige de soupape à fond dans le sens antihoraire avec une clé hexagonale de 4 mm. Arrêtez de tourner quand elle frappe la retenue. (ø6,35: env. 4,5 tours) (ø9,52: env. 10 tours)
  - ② Vérifier que la vanne d'arrêt est complètement ouverte, appuyer sur la poignée et tourner le capuchon pour le ramener sur sa position d'origine.

- Ⓐ Vanne
- Ⓑ Côté appareil
- Ⓒ Poignée
- Ⓓ Capuchon
- Ⓔ Côté tuyau local
- Ⓕ Côté position ouverte
- Ⓖ Orifice pour l'entretien
- Ⓗ Orifice pour la clé
- Ⓘ Direction du débit du réfrigérant

Les tuyaux de réfrigérant sont entourés d'une couche de protection

- Les tuyaux peuvent être entourés, après ou avant avoir été raccordés, d'une couche de protection allant jusqu'à ø90. Découper la rondelle défonçable du cache-tuyaux en suivant la rainure et envelopper les tuyaux.

Orifice d'entrée du tuyau

- Appliquer du mastic ou un agent d'étanchéité sur l'entrée des tuyaux pour éviter tout espace.

(Si les espaces ne sont pas supprimés, l'appareil risque de fonctionner bruyamment ou d'être endommagé à cause d'une infiltration d'eau et de poussières).

### Précautions à prendre lors de l'utilisation de la soupape de charge (Fig. 4-14)

**Ne serrez pas trop l'ouverture de service au moment de l'installer car vous pourriez déformer le corps de la soupape et des fuites pourraient se produire.**

Après avoir posé la section Ⓑ dans la direction désirée, tournez la section Ⓐ uniquement et serrez-la.

Ne serrez pas davantage les sections Ⓐ et Ⓑ l'une contre l'autre après avoir serré la section Ⓐ.

## 4. Installation de la tuyauterie du réfrigérant

### 4.8. Charge supplémentaire de réfrigérant

#### Charge supplémentaire de réfrigérant

Le réfrigérant pour les extensions de tuyauterie n'est pas inclus dans l'appareil extérieur lors de sa sortie d'usine. Par conséquent, chargez le réfrigérant supplémentaire dans chaque système de conduites de réfrigérant sur le lieu d'installation. En outre, pour l'entretien, indiquez la section et la longueur de chaque conduite de liquide ainsi que les quantités de charge supplémentaires dans les espaces prévus à cet effet sur la plaquette "Quantité de réfrigérant" située sur l'appareil extérieur.

#### Calcul de la charge supplémentaire de réfrigérant

- Calculez la charge supplémentaire à l'aide de la section de la conduite de liquide et de la longueur de l'extension de tuyauterie.
- Dans le calcul, utiliser 11,2 kW pour la capacité du cylindre ou de l'unité Hydrobox.
- Calculez la charge de réfrigérant supplémentaire selon la procédure indiquée à droite, et chargez le système à l'aide du réfrigérant supplémentaire.
- Pour les quantités inférieures à 0,1 kg, arrondissez la charge de réfrigérant supplémentaire calculée.  
(Par exemple, si la charge calculée est de 6,01 kg, arrondissez-la à 6,1 kg.)

<Charge supplémentaire>

#### Calcul de la charge de réfrigérant

Dimension des tuyaux Conduit de liquide ø6,35	+	Dimension des tuyaux Conduit de liquide ø9,52	+	Capacité totale des appareils intérieurs connectés ~ 8,0 kW	Quantité pour les appareils intérieurs 1,5 kg
(m) × 19,0 (g/m)		(m) × 50,0 (g/m)		8,1 ~ 16,0 kW	2,5 kg
				16,1 kW ~	3,0 kg

#### Y compris quantité de réfrigérant à la sortie d'usine

Y compris quantité de réfrigérant
4,8 kg

<Exemple>

Modèle extérieur : P125	A : ø9,52 30 m	} Dans les conditions indiquées ci-dessous:
Intérieur 1 : P63 (7,1 kW)	a : ø9,52 15 m	
2 : P40 (4,5 kW)	b : ø6,35 10 m	
3 : P25 (2,8 kW)	c : ø6,35 10 m	
4 : P20 (2,2 kW)	d : ø6,35 20 m	

La longueur totale de chaque tuyau de liquide est la suivante:

$$\text{ø9,52 : } A + a = 30 + 15 = 45 \text{ m}$$

$$\text{ø6,35 : } b + c + d = 10 + 10 + 20 = 40 \text{ m}$$

La capacité totale de chaque appareil intérieur connecté est la suivante :

$$7,1 + 4,5 + 2,8 + 2,2 = 16,6$$

<Exemple de calcul>

Charge de réfrigérant supplémentaire

$$40 \times \frac{19,0}{1000} + 45 \times \frac{50,0}{1000} + 3,0 = 6,1 \text{ kg (arrondi au chiffre supérieur)}$$

## 5. Mise en place du tuyau d'écoulement

#### Raccordement du tuyau d'écoulement de l'appareil extérieur

Lorsqu'un tuyau d'écoulement s'avère nécessaire, utiliser la douille de drainage ou la cuvette de drainage (en option).

	P112-140
Douille de drainage	PAC-SG61DS-E
Cuvette de drainage	PAC-SH97DP-E

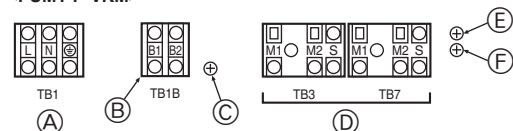
## 6. Installations électriques

### 6.1. Précaution

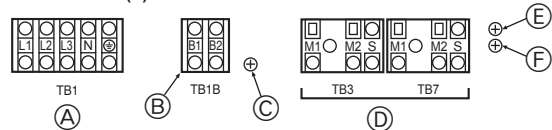
- Respecter les réglementations gouvernementales pour les normes techniques concernant les installations électriques et le câblage et suivre les conseils de la compagnie d'électricité concernée.
- Les câbles de commandes (ci-après dénommé la ligne de transmission) seront éloignés (de 5 cm ou plus) des câbles de la source d'alimentation de sorte à ne pas être influencé par les interférences de l'alimentation. (Ne jamais introduire la ligne de transmission et les câbles d'alimentation dans la même gaine.)
- Toujours effectuer les travaux adéquats de mise à la terre à l'appareil extérieur.
- Laisser une longueur de câble suffisante dans le boîtier des éléments électriques des appareils intérieurs et des appareils extérieurs car le boîtier doit parfois être retiré pour les interventions techniques.
- Ne jamais raccorder la source d'alimentation principale au bloc terminal de la ligne de transmission car cela brûlerait les composants électriques.
- Utiliser un câble blindé à deux fils comme ligne de transmission. Si les lignes de transmission des différents systèmes devaient être reliées par le même câble à fils multiples, la transmission et la réception seraient mauvaises ce qui conduirait à un fonctionnement erroné des appareils.
- Seule la ligne de transmission indiquée doit être reliée au bloc terminal pour la transmission de l'appareil extérieur.  
(Ligne de transmission à raccorder à l'appareil intérieur: Bloc terminal TB3 pour la ligne de transmission, Autres: Bloc terminal TB7 pour une commande centralisée)  
Une mauvaise connexion empêchera le fonctionnement du système.
- En cas de raccordement avec le contrôleur de classe supérieure ou pour obtenir un fonctionnement groupé de plusieurs systèmes de réfrigérant, il est nécessaire de placer une ligne de contrôle de transmission entre chaque appareil extérieur.  
Connecter cette ligne de contrôle entre les blocs terminaux pour une commande centralisée. (Ligne à deux câbles non polarisés.)  
En cas de raccordement dans différents systèmes de réfrigérant sans passer par le contrôleur de classe supérieure, sur un des appareils extérieurs, déplacer le cavalier du connecteur de court-circuit de CN41 à CN40.
- La définition du groupe se fait par le biais de la commande à distance.
- Pour le raccordement du KIT DE CONNEXION (PAC-LV11M-J) et d'un appareil intérieur de la série M, se reporter au manuel d'installation du KIT DE CONNEXION.
- En cas de raccordement d'un boîtier de dérivation, mettre les appareils intérieurs et le boîtier de dérivation sous tension avant d'allumer l'appareil extérieur.

## 6. Installations électriques

<PUMY-P-VKM>



<PUMY-P-YKM(E)>



- Ⓐ Alimentation
- Ⓑ Alimentation pour boîtier de dérivation
- Ⓒ Vis du boîtier des composants électriques
- Ⓓ Ligne de transmission
- Ⓔ Terre pour le bloc de sortie (TB3)
- Ⓕ Vis située sur le boîtier des composants électriques

Fig. 6-1

### 6.2. Boîtier de commande et emplacement pour le raccordement des câbles (Fig. 6-1)

- Connectez la ligne de transmission de l'appareil intérieur au bloc de sorties de la ligne de transmission (TB3) ou connectez les fils entre les appareils extérieurs ou les fils du système de commande centrale au bloc de sorties de la commande centrale (TB7). En cas d'utilisation de câblage blindé, raccorder le câble blindé de terre de la ligne de transmission de l'appareil intérieur à la vis (Ⓔ) et raccorder le câble blindé de terre de la ligne entre les appareils extérieurs et la ligne de transmission du système de commande central à la borne blindée (S) du bloc de sortie de la commande centralisée (TB7). De plus, si le connecteur d'alimentation CN41 des appareils extérieurs a été remplacé par le connecteur CN40, la borne du blindage (S) du bloc de sorties (TB7) du système de commande central devrait également être raccordée à la vis (Ⓔ) à l'aide du câble existant.
- Le bornier (TB1B) fournit l'alimentation à la boîte de dérivation (220 ~ 240 V CA, 6 A max.).
- Attachez le câble d'alimentation au bloc de sorties en utilisant le manchon pour la force de tension (Connexion PG ou similaire).

#### ⚠ Précaution:

**Ne jamais raccorder la ligne de transmission de l'appareil intérieur ou la ligne de transmission du système de contrôle centralisée à ce bornier (TB1B). Si les lignes de transmission y sont connectées, les borniers de l'appareil intérieur ou du système de contrôle central pourrait être endommagé.**

### 6.3. Mise en place des câbles de transmission

#### ① Types de câbles de commande

- Mise en place des câbles de transmission
  - Types de câbles de transmission : fil blindé CVVS, CPEVS ou MVVS
  - Diamètre des câbles: Supérieur à 1,25 mm<sup>2</sup>
  - Longueur maximum des câbles: 200 m

#### ② Câbles de la télécommande M-NET

Type de câble de télécommande	fil blindé CVVS, CPEVS ou MVVS
Diamètre du câble	0,5 à 1,25 mm <sup>2</sup>
Remarques	Pour une longueur supérieure à 10 m, utilisez un câble ayant les mêmes caractéristiques que les câbles de la ligne de transmission.

#### ③ Câbles de la télécommande MA

Type de câble de télécommande	Câble gainé à 2 âmes (non blindé) CVV
Diamètre du câble	0,3 à 1,25 mm <sup>2</sup> (0,75 à 1,25 mm <sup>2</sup> )*
Remarques	Moins de 200 m

\* Raccordé avec télécommande simple.

#### ④ Exemples de câblage

- Nom du contrôleur, symbole et nombre de contrôleurs permis.

Nom	Symbole	Nombre de contrôleurs permis	
Contrôleur de l'appareil extérieur	OC	-	
Contrôleur de l'appareil intérieur	M-IC	PUMY-P112	1 à 9 unités par OC *1
		PUMY-P125	1 à 10 unités par OC *1
	A-IC	PUMY-P112	2 à 8 unités par OC *1
		PUMY-P125	
Boîtier de dérivation	-	-	0 à 2 unités par OC
Commande à distance	RC	M-NET RC *2	12 contrôleurs maximum par OC (Ne peut pas être connecté si un boîtier de dérivation est utilisé.)
		MA-RC	Maximum 2 par groupe

#### Remarque:

- Le nombre d'appareils qu'il est possible de raccorder peut être limité par certaines conditions telles que la capacité de l'appareil intérieur ou la consommation électrique équivalente de chaque appareil.
- Ne pas utiliser le contrôleur à distance Lossnay (PZ-61DR-E, PZ-43SMF-E, PZ-52SF-E, PZ-60DR-E).

### Exemple de système de fonctionnement relié à la terre avec plusieurs appareils extérieurs (Il est nécessaire d'utiliser des câbles blindés et de définir les adresses.)

<Exemple de mise en place des câbles de transmission : sans boîtier de dérivation>

#### ■ Reportez-vous aux figures 6-2 à 6-6.

<Méthode de câblage et définition des adresses : sans système de boîtier de dérivation>

- Toujours utiliser un fil blindé pour les connexions entre l'appareil extérieur (OC) et l'appareil intérieur (M-IC).
- Utilisez des câbles d'alimentation pour raccorder les terminaux M1 et M2 et la borne de terre du bornier du câble de transmission (TB3) de chaque appareil extérieur (OC) aux bornes M1, M2 et S du bornier des câbles de transmission de l'appareil intérieur (M-IC).
- Raccorder les bornes 1 (M1) et 2 (M2) du bloc terminal des câbles de transmission de l'appareil intérieur (M-IC) qui possède l'adresse la plus récente au sein d'un même groupe au bloc terminal de la commande à distance (M-NET RC).
- Connectez ensemble les bornes M1, M2 et S du bornier de la commande centralisée (TB7) de l'appareil extérieur (OC).
- Le cavalier CN41 du panneau de commande ne change pas.
- Raccorder le câble de masse du blindage de la ligne de transmission des appareils intérieurs sur la borne du blindage (S) du bloc (TB3) et la borne (S) sur la vis (Ⓔ ou Ⓕ) à l'aide du câble existant.  
Connectez le câble blindé de la ligne entre les appareils extérieurs et la ligne de transmission du système de commande centralisée à la borne blindée (S) de (TB7).
- Régler les commutateurs d'adresses comme indiqué ci-dessous.

Appareil	Plage	Méthode de réglage
(M-IC) (maître)	01 à 50	Utiliser l'adresse la plus récente au sein du même groupe d'appareils intérieurs
(M-IC) (esclave)	01 à 50	Utiliser une adresse, autre que celle de l'IC (maître) parmi les unités d'un même groupe d'appareils intérieurs. Celle-ci doit se trouver en séquence avec celle de l'IC (maître)
Appareil extérieur	51 à 100	Utiliser l'adresse la plus récente des appareils intérieurs dans le même système réfrigérant plus 50 * L'adresse devient automatiquement "100" si elle est réglée sur "01-50".
M-NET R/C (maître)	101 à 150	Régler l'adresse IC (maître) plus 100
M-NET R/C (esclave)	151 à 200	Régler l'adresse adresse IC (maître) plus 150
MA R/C	-	Réglage d'adresse inutile (Réglage principal/secondaire nécessaire)

- Les opérations de réglage groupé pour des appareils intérieurs multiples s'effectuent par le biais de la commande à distance (M-NET RC) après la mise sous tension.

#### i. Raccordement d'un appareil PWFY

- N'effectuez pas les réglages groupe pour l'appareil PWFY et les unités intérieures.
- L'appareil PWFY ne peut pas fonctionner en même temps que l'unité Lossnay.
- Utilisez une télécommande WMA pour l'appareil PWFY.

Pour en savoir plus, se reporter au manuel d'installation pour l'appareil PWFY.

#### j. Lors de la connexion d'un cylindre ou d'une unité Hydrobox

- Ne pas effectuer les réglages de groupe pour le cylindre ou l'unité Hydrobox et les autres appareils intérieurs.

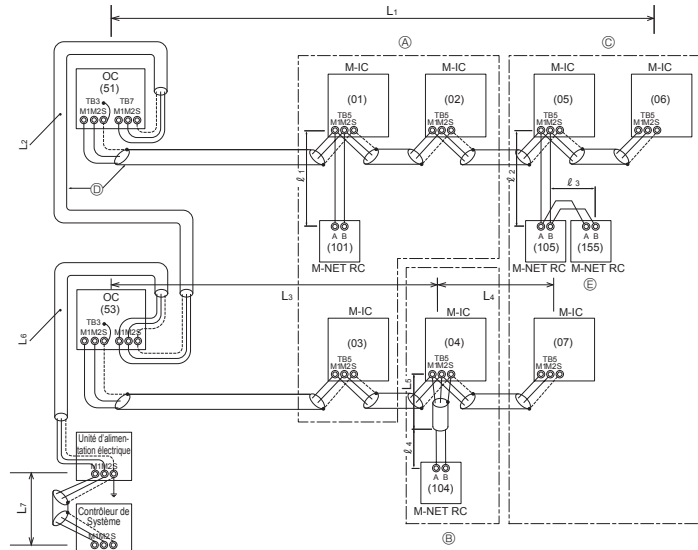
<Méthode de câblage et définition des adresses : avec système de boîtier de dérivation>

Reportez-vous au Manuel d'installation du boîtier de dérivation.

## 6. Installations électriques

<Exemple de câblage de transmission : Sans boîtier de dérivation>

### ■ Télécommande M-NET



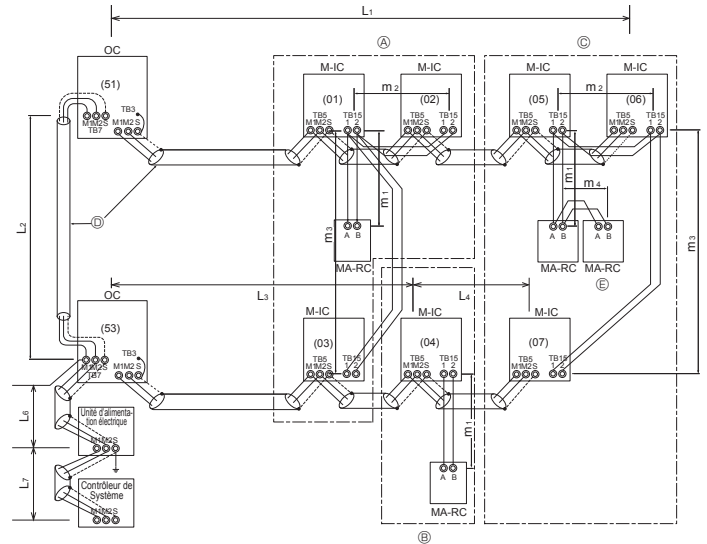
- (A) : Groupe 1
- (B) : Groupe 2
- (C) : Groupe 3
- (D) : Fil blindé
- (E) : Télécommande secondaire
- ( ) : Adresse

#### <Longueurs possibles>

- Longueur max. par l'intermédiaire des appareils extérieurs :  $L_1 + L_2 + L_3 + L_4$  et  $L_1 + L_2 + L_3 + L_5$  et  $L_1 + L_2 + L_6 + L_7 \leq 500$  m (1,25 mm<sup>2</sup> ou plus)
  - Longueur max. du câble de transmission (câble M-NET) :  $L_1$  et  $L_3 + L_4$  et  $L_3 + L_5$  et  $L_2 + L_6$  et  $L_7 \leq 200$  m (1,25 mm<sup>2</sup> ou plus)
  - Longueur du câble de télécommande :  $l_1, l_2, l_3, l_4 \leq 10$  m (0,5 à 1,25 mm<sup>2</sup>)
- Si la longueur excède 10 m, utilisez un fil blindé de 1,25 mm<sup>2</sup>. La longueur de cette section (L<sub>3</sub>) doit être incluse dans le calcul de la longueur maximale et de la longueur globale.

Fig. 6-2

### ■ Télécommande MA

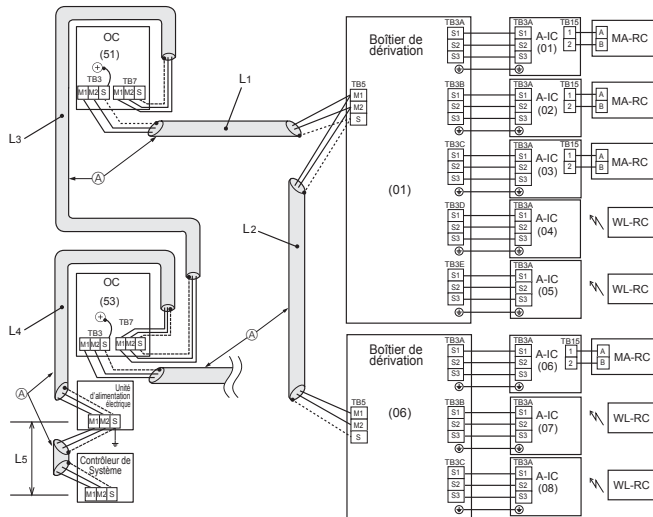


#### <Longueurs possibles>

- Longueur max. par l'intermédiaire de l'appareil extérieur (câble M-NET) :  $L_1 + L_2 + L_3 + L_4$  et  $L_1 + L_2 + L_6 + L_7 \leq 500$  m (1,25 mm<sup>2</sup> ou plus)
- Longueur max. du câble de transmission (câble M-NET) :  $L_1$  et  $L_3 + L_4$  et  $L_2 + L_6$  et  $L_7 \leq 200$  m (1,25 mm<sup>2</sup> ou plus)
- Longueur du câble de la télécommande :  $m_1$  et  $m_1 + m_2 + m_3$  et  $m_1 + m_2 + m_3 + m_4 \leq 200$  m (0,3 à 1,25 mm<sup>2</sup>)

Fig. 6-3

<Exemple de câblage de transmission : Raccordement avec boîtier de dérivation>



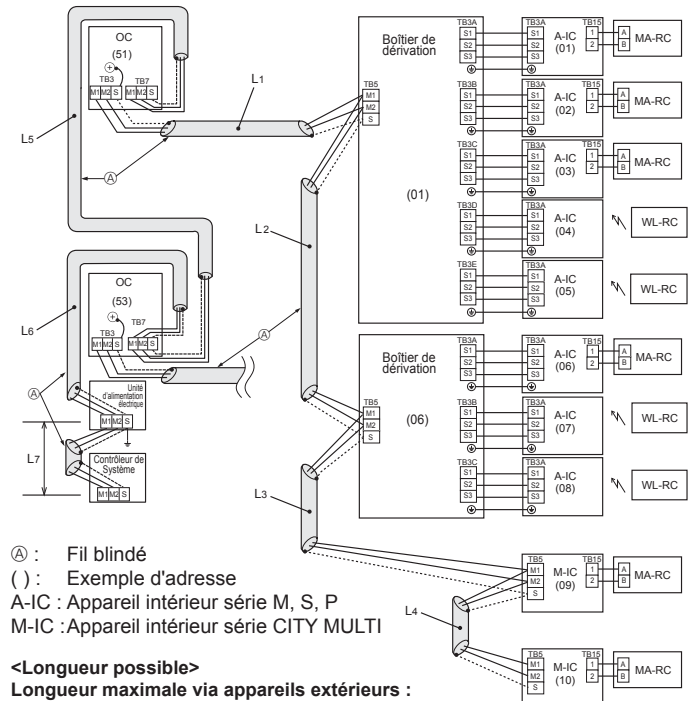
- (A) : Fil blindé
- ( ) : Exemple d'adresse
- A-IC : Appareil intérieur série M, S, P

#### <Longueurs possibles>

- Longueur max. par l'intermédiaire d'appareils extérieurs (câble M-NET) :  $L_1 + L_2 + L_3 + L_4 + L_5 \leq 500$  m (1,25 mm<sup>2</sup> ou plus)
- Longueur max. du câble de transmission (câble M-NET) :  $L_1 + L_2, L_3 + L_4, L_5 \leq 200$  m (1,25 mm<sup>2</sup> ou plus)

Fig. 6-4

<Exemple de câblage de transmission : Système mixte>



- (A) : Fil blindé
- ( ) : Exemple d'adresse
- A-IC : Appareil intérieur série M, S, P
- M-IC : Appareil intérieur série CITY MULTI

#### <Longueur possible>

- Longueur maximale via appareils extérieurs :  $L_1 + L_2 + L_3 + L_4 + L_5 + L_6 + L_7 \leq 500$  m (1640 ft.) (1,25 mm<sup>2</sup> ou plus)
- Longueur maximale du câble de transmission :  $L_1 + L_2 + L_3 + L_4, L_5 + L_6, L_7 \leq 200$  m (656 ft.) (1,25 mm<sup>2</sup> ou plus)

Fig. 6-5

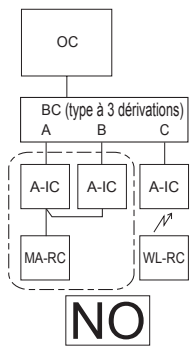
#### Remarque :

Le cylindre ou l'unité Hydrobox ne peut pas être groupée avec une unité autre qu'un cylindre ou une unité Hydrobox.  
De plus, lorsque le cylindre ou l'unité Hydrobox est connectée, il n'est pas possible de faire fonctionner plusieurs appareils extérieurs en même temps.

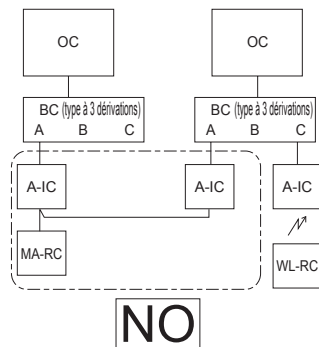
## 6. Installations électriques

<Systèmes incorrects>

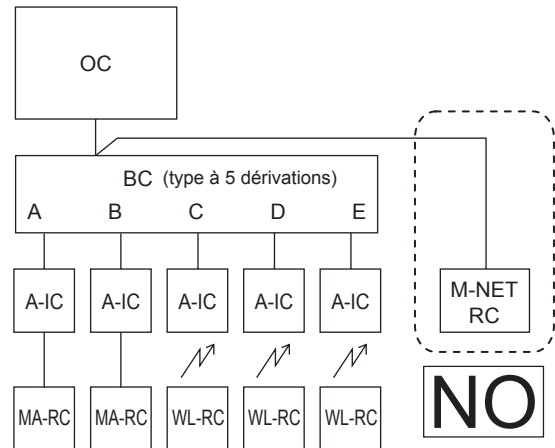
### 1. Exploitation de groupe par télécommande unique



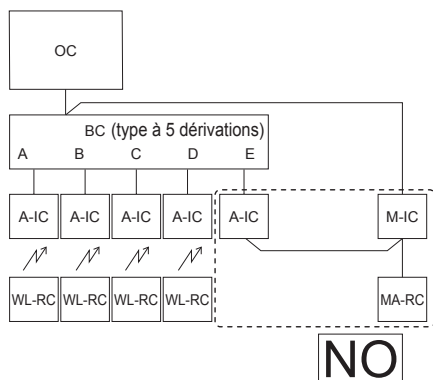
### 2. Exploitation de groupe entre systèmes de réfrigérant différents



### 3. Raccordement de la télécommande M-NET



### 4. Exploitation de groupe entre système de commande A et système de commande M-NET.



1. Plusieurs appareils intérieurs ne peuvent pas être commandés par une seule télécommande.
2. Des systèmes de réfrigérant différents ne peuvent pas être connectés ensemble.
3. Une télécommande M-NET ne peut pas être connectée.
4. Des types de systèmes de commande différents (A-IC/M-IC) ne peuvent pas être connectés ensemble.



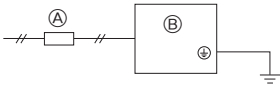
## 6. Installations électriques

### 6.4. Câblage de l'alimentation principale et capacité des équipements

Schéma du câblage : sans boîtier de dérivation (exemple) (Fig. 6-6)

#### ■ PUMY-P-VKM4

~N 220-230-240 V 50 Hz  
~N 220-230 V 60 Hz



#### ■ PUMY-P-YKM(E)4

• YKM4  
3N~380-400-415 V 50 Hz  
3N~380 V 60 Hz  
• YKME4  
3N~380-400-415 V 50 Hz

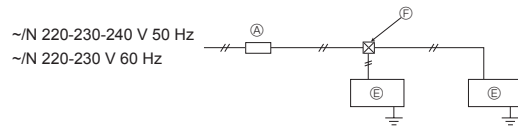
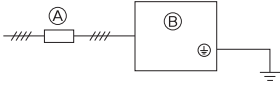


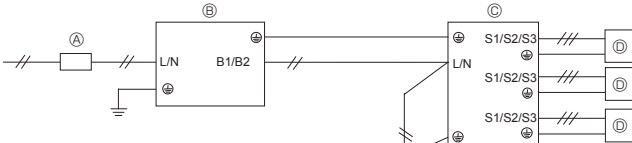
Fig. 6-6

Schéma du câblage : avec un boîtier de dérivation (exemple) (Fig. 6-7)

<Lorsque l'alimentation provient de l'appareil extérieur>

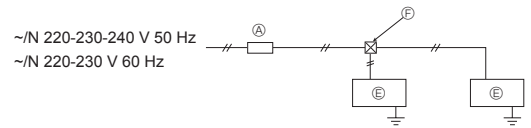
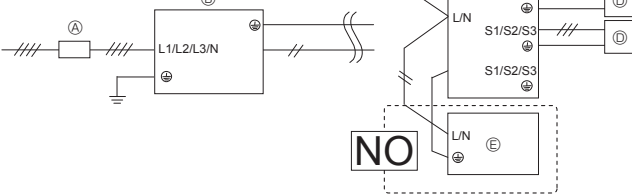
#### ■ PUMY-P-VKM4

~N 220-230-240 V 50 Hz  
~N 220-230 V 60 Hz



#### ■ PUMY-P-YKM(E)4

• YKM4  
3N~380-400-415 V 50 Hz  
3N~380 V 60 Hz  
• YKME4  
3N~380-400-415 V 50 Hz



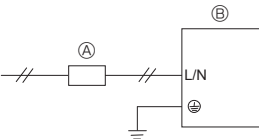
- Ⓐ Coupe-circuit (pour fuites à la terre)
- Ⓑ Appareil extérieur
- Ⓒ Boîtier de dérivation
- Ⓓ Appareil intérieur de "commande A" (appareil intérieur série M, S, P)
- Ⓔ Appareil intérieur à commande M-NET (appareil intérieur City Multi)
- Ⓕ Boîtier de traction

\* L'appareil intérieur de commande M-NET ne peut pas être alimenté par un appareil extérieur. Fournir une alimentation séparée.

<When Power Is Supplied Separately>

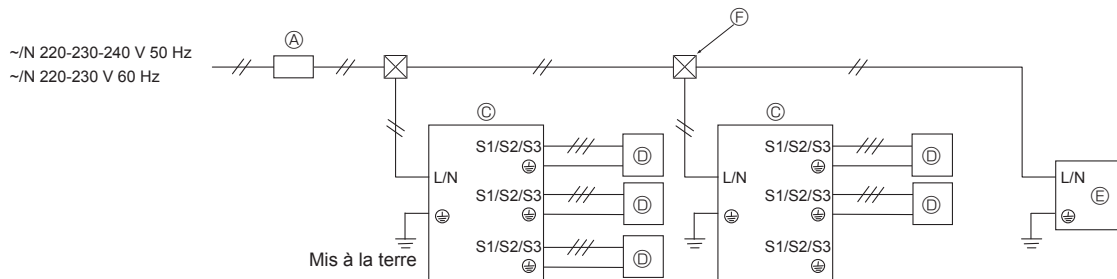
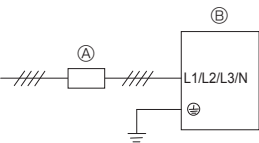
#### ■ PUMY-P-VKM4

~N 220-230-240 V 50 Hz  
~N 220-230 V 60 Hz



#### ■ PUMY-P-YKM(E)4

• YKM4  
3N~380-400-415 V 50 Hz  
3N~380 V 60 Hz  
• YKME4  
3N~380-400-415 V 50 Hz



Remarque : Boîtier réacteur (pièces en option)

Lorsque le produit est utilisé à des fins autres qu'un équipement professionnel, le boîtier réacteur peut être nécessaire.

	Méthode d'alimentation du boîtier de dérivation	
Appareil extérieur	Alimentation provenant de l'appareil extérieur	Alimentation électrique séparée
Alimentation monophasée	Non nécessaire	Nécessaire
Alimentation triphasée	Nécessaire	Nécessaire

Fig. 6-7

## 6. Installations électriques

### Section du câble d'alimentation principale et capacités de marche/arrêt

<Lorsque l'alimentation provient d'une source séparée>

Modèle	Alimentation	Section minimale du câble (mm <sup>2</sup> )			Coupe-circuit pour le câblage *1	Coupe-circuit pour les fuites de courant	
		Câble principal	Embranchement	Terre			
Appareil extérieur	P112-140VKM4	~N 220-230-240 V 50 Hz ~N 220-230 V 60 Hz	6	–	6	32 A	32 A à 30 mA 0,1 sec ou moins
	P112-140YKM4	3N~380-400-415 V 50 Hz 3N~380 V 60 Hz	1,5	–	1,5	16 A	16 A à 30 mA 0,1 sec ou moins
	P112-140YKME4	3N~380-400-415 V 50 Hz					

<Lorsque l'alimentation provient de l'appareil extérieur>

Modèle	Alimentation	Section minimale du câble (mm <sup>2</sup> )			Coupe-circuit pour le câblage *1	Coupe-circuit pour les fuites de courant	
		Câble principal	Embranchement	Terre			
Appareil extérieur	P112-140VKM4	~N 220-230-240 V 50 Hz ~N 220-230 V 60 Hz	6	–	6	40 A	40 A à 30 mA 0,1 sec ou moins
	P112-140YKM4	3N~380-400-415 V 50 Hz 3N~380 V 60 Hz	2,5	–	2,5	20 A	20 A à 30 mA 0,1 sec ou moins
	P112-140YKME4	3N~380-400-415 V 50 Hz					

\*1 Utiliser un disjoncteur sans fusible (NF) ou un disjoncteur de fuite à la terre (NV) avec un écartement de 3,0 mm minimum entre les contacts de chaque pôle.

<Appareils intérieurs>

Courant total d'exploitation de l'appareil intérieur	Section minimum des câbles (mm <sup>2</sup> )			Disjoncteur de fuite de terre *1	Commutateur local (A)		Disjoncteur pour câblage (NFB)
	Câble principal	Dérivation	Terre		Capacité	Fusible	
F0 = 16 A ou moins *2	1,5	1,5	1,5	Sensibilité au courant 20 A *3	16	16	20
F0 = 25 A ou moins *2	2,5	2,5	2,5	Sensibilité au courant 30 A *3	25	25	30
F0 = 32 A ou moins *2	4,0	4,0	4,0	Sensibilité au courant 40 A *3	32	32	40

Pour l'impédance maximale permise du système, voir la norme CEI 61000-3-3.

\*1 Le disjoncteur de fuite de terre doit prendre en charge le circuit d'inverseur.

Le disjoncteur de fuite de terre doit combiner l'utilisation d'un interrupteur local ou d'un coupe-circuit.

\*2 Prendre la valeur la plus haute de F1 ou F2 comme valeur pour F0.

F1 = Courant maximum d'exploitation total des appareils intérieurs × 1,2

F2 = {V1 × (Quantité de type 1)/C} + {V1 × (Quantité de type 2)/C} + {V1 × (Quantité de type 3)/C} + ... + {V1 × (Quantité de type 14)/C}

Connexion au boîtier de dérivation (PAC-MK-BC(B))

Appareil intérieur		V1	V2
Type 1	PEAD-RP-JA(L)Q, PEAD-M-JA(L), PEY-(S)P-JA	26,9	2,4
Type 2	SEZ-KD-VAQ(L), SEZ-M-DA(L), PCA-RP-KAQ, PCA-M-KA, PLA-ZRP-BA, PLA-RP-EA, SLZ-KF-VA2, SLZ-M-FA, PLY-(S)P-BA, SEZ-KH-VALT, PCY-(S)P-KA	19,8	
Type 3	MLZ-KA-VA, SLZ-KA-VAQ(L)3	9,9	
Type 4	MFZ-KJ-VE2, MSXY-FJ-VE, MSZ-LN-VG, MSZ-AP-VG, MLZ-KP-VF	7,4	
Type 5	MSZ-FH-VE, MSZ-SF-VE, MSZ-EF-VE, MSZ-SF-VA, MSZ-GF-VE, MSZ-GE-VA, MSZ-EF-VA, MSY-GE-VA, MSY-EF-VA, MSZ-FH-VA, MSY-GH-VA, MSZ-FK-VA, MSZ-GC-NA	6,8	
Type 6	Boîtier de dérivation (PAC-MK-BC(B))	5,1	
Type 7	génération ecodan C		5,0 *5

\*5 Cette valeur peut augmenter à cause d'un actionneur raccordé localement.

Raccorder au kit de connexion (PAC-LV11M-J)

Appareil intérieur		V1	V2
Type 8	MFZ-KJ-VE2	7,4	2,4
Type 9	MSZ-GE-VA, MSZ-SF-VA, MSZ-SF-VE, MSZ-EF-VE, MSZ-FH-VE, MSY-GE-VA, MSY-GH-VA	6,8	
Type 10	Kit de connexion (PAC-LV11M-J)	3,5	

Appareil intérieur		V1	V2
Type 11	PEFY-VMA(L)-E, PEFY-VMA3-E	38,0	1,6
Type 12	PMFY-VBM-E, PLFY-VEM-E, PLFY-VFM-E1, PEFY-VMS1(L)-E, PCFY-VKM-E, PKFY-VHM-E, PKFY-VKM-E, PFFY-VKM-E2, PFFY-VLRMM-E, PLFY-EP-VEM-E, PMFY-P-VFM-D	19,8	2,4
Type 13	PKFY-VBM-E	3,5	2,4
Type 14	PLFY-VLMD-E, PEFY-VMR-E-L/R, PDFY-VM-E, PEFY-VMH-E, PFFY-VLEM-E, PFFY-VLRM-E, PWFY-VM-E1(2)-AU, PEFY-P-VMH-E-F, GUF-RD(H)4	0,0	0,0

C : Multiple de courant de déclenchement au temps de déclenchement 0,01 s

Prenez "C" dans les caractéristiques de déclenchement du disjoncteur.

## 6. Installations électriques

<Exemple de calcul "F2">

Condition PEFY-VMS × 4 + PEFY-VMA × 1, C = 8 (reportez-vous au diagramme de droite)

$$F2 = 19,8 \times 4/8 + 38 \times 1/8 = 14,65$$

→ disjoncteur 16 A (courant de déclenchement =  $8 \times 16$  A à 0,01 s)

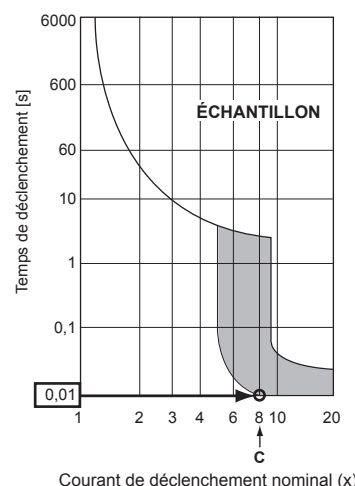
\*3 La sensibilité de courant est calculée selon la formule suivante.

$$G1 = V2 \times (\text{Quantité de Type1}) + V2 \times (\text{Quantité de Type2}) + V2 \times (\text{Quantité de Type3}) + \dots + V2 \times (\text{Quantité de Type14}) + V3 \times (\text{Longueur câble [km]})$$

G1	Sensibilité de courant
30 ou moins	30 mA 0,1 sec ou moins
100 ou moins	100 mA 0,1 sec ou moins

Épaisseur câble	V3
1,5 mm <sup>2</sup>	48
2,5 mm <sup>2</sup>	56
4,0 mm <sup>2</sup>	66

Diagramme d'échantillon



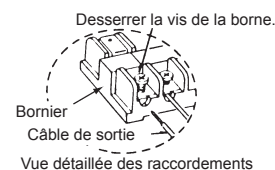
1. Tenir compte des conditions climatiques (température ambiante, rayons solaires directs, eau pluviale, etc.) lors du câblage et du raccordement des appareils.
2. Les dimensions des câbles représentent les dimensions minimales pour le câblage de conduits métalliques. Le cordon d'alimentation doit être une unité plus épais à cause des chutes de tension. Vérifier que la tension de l'alimentation ne diminue pas de plus de 10%.
3. En cas de câblages spécifiques, ceux-ci doivent respecter les lois en vigueur dans la région concernée.
4. Les cordons d'alimentation électrique des éléments des appareils utilisés à l'extérieur seront au moins aussi lourds que les cordons souples blindés de polychloroprène (conception 60245 IEC57). Vous pouvez notamment utiliser dans ce cas des câbles de type YZW.
5. Installer un câble de terre plus long que les autres câbles.

### ⚠ Avertissement:

- Toujours utiliser les câbles indiqués pour les connexions de sorte qu'aucune force externe ne s'applique aux bornes. Si les connexions ne sont pas effectuées correctement, il peut se produire une surchauffe, voir un incendie.
- Assurez-vous d'utiliser le correct interrupteur de protection contre la surintensité de courant. Veuillez noter que la surintensité de courant générée peut comprendre une certaine quantité de courant direct.
- Veiller à fixer correctement les caches/le panneau du bornier de l'appareil extérieur.  
S'il est mal fixé, un incendie ou un choc électrique risquent de se produire en raison de la présence de poussière, d'eau, etc.

### ⚠ Précaution:

- Veiller à ne pas effectuer d'erreur de branchement.
- Serrer fermement les vis de fixation des bornes afin d'éviter tout faux contact.
- Après le serrage, tirer légèrement sur les câbles pour vérifier qu'ils sont bien fixés.
- Si le câble de connexion n'est pas raccordé correctement au bornier, l'appareil ne fonctionnera pas normalement.
- Certains sites d'installation peuvent demander l'application d'un coupe-circuit de fuite à la terre. Si ce coupe-circuit n'est pas installé, il peut y avoir danger d'électrocution.
- Ne jamais utiliser de coupe-circuits ou de fusibles autres que ceux possédant la valeur adéquate. L'utilisation de fusibles et de fils/fils en cuivre surdimensionnés risque de provoquer un mauvais fonctionnement de l'appareil, voir un incendie.



### IMPORTANT

S'assurer que le disjoncteur de fuite de courant est compatible avec les harmoniques les plus élevées.

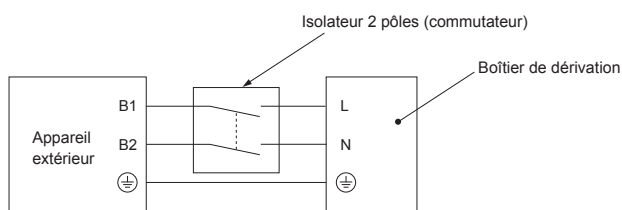
Veiller à toujours utiliser un disjoncteur de fuite de courant compatible avec les harmoniques les plus élevées car cet appareil est équipé d'un inverseur.

L'utilisation d'un disjoncteur inapproprié peut provoquer un dysfonctionnement de l'onduleur.

Ne jamais épicer le câble d'alimentation ou le câble de raccordement boîtier de dérivation intérieur-extérieur car cela pourrait provoquer de la fumée, un incendie ou une erreur de communication.

### ⚠ Avertissement :

- Veuillez couper l'alimentation principale au cours des entretiens. Ne pas toucher les bornes B1, B2 lorsque l'alimentation électrique est branchée. Si un isolateur doit être utilisé entre l'appareil extérieur et le boîtier de dérivation/l'appareil intérieur et le boîtier de dérivation, veuillez utiliser un isolateur à 2 pôles. (Voir le schéma ci-dessous.)



### ⚠ Attention :

Après avoir utilisé l'isolateur, couper et réactiver l'alimentation principale pour réinitialiser le système. Si ce n'est pas fait, l'appareil extérieur pourrait ne pas détecter le(s) boîtier(s) de dérivation ou les appareils intérieurs.

Veillez à raccorder les câbles de raccordement boîtier de dérivation extérieur/boîtier de dérivation intérieur directement aux appareils (pas de raccordements intermédiaires). Des raccordements intermédiaires peuvent provoquer des erreurs de communication si de l'eau pénètre dans les câbles et provoque une isolation insuffisante à la terre ou un mauvais contact électrique au point de raccordement intermédiaire.




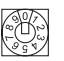


(Si un raccordement intermédiaire est nécessaire, veillez à prendre les mesures nécessaires pour prévenir toute pénétration d'eau dans les câbles).



## 6. Installations électriques

### 6.5. Réglage des adresses

Réglage de l'adresse du commutateur

	Extérieur	Boîtier de dérivation				Série M, S, P Intérieur	Série CITY MULTI																																									
		Adresse		Configuration du raccordement																																												
Commutateur	 chiffre des dizaines SWU2  chiffre des unités SWU1	 chiffre des dizaines SW12  chiffre des unités SW11	<table border="1"> <tr> <td>A</td><td>B</td><td>C</td><td>D</td><td>E</td><td>-</td> </tr> <tr> <td>1</td><td>2</td><td>3</td><td>4</td><td>5</td><td>6</td> </tr> </table> SW1	A	B	C	D	E	-	1	2	3	4	5	6	ON : Raccordement intérieur OFF : Pas de raccordement (SW1-6 non utilisé)	Aucun	 chiffre des dizaines SW12  chiffre des unités SW11																														
A	B	C	D	E	-																																											
1	2	3	4	5	6																																											
Plage	51 - 100	1 - 50		-	-	1 - 50																																										
Réglage	Adresse de la commande M intérieure ou du boîtier de connexion +50	<ul style="list-style-type: none"> <li>En fonction de l'adresse définie (par exemple 01), les adresses des appareils intérieurs raccordés sont définies séquentiellement (par exemple 02, 03, 04 et 05).</li> </ul> <table border="1"> <tr> <td>SW1</td><td>1</td><td>2</td><td>3</td><td>4</td><td>5</td><td></td> </tr> <tr> <td></td><td>ON</td><td>ON</td><td>ON</td><td>ON</td><td>ON</td><td></td> </tr> <tr> <td>Port</td><td>A</td><td>B</td><td>C</td><td>D</td><td>E</td><td></td> </tr> <tr> <td>Adresse</td><td>01</td><td>02</td><td>03</td><td>04</td><td>05</td><td>(SW11, 12) (numéros séquentiels)</td> </tr> </table>		SW1	1	2	3	4	5			ON	ON	ON	ON	ON		Port	A	B	C	D	E		Adresse	01	02	03	04	05	(SW11, 12) (numéros séquentiels)	<ul style="list-style-type: none"> <li>Indiquer si des appareils intérieurs sont connectés à chaque port (A, B, C, D et E).</li> </ul> <table border="1"> <tr> <td>SW1</td><td>1</td><td>2</td><td>3</td><td>4</td><td>5</td><td>(6)</td> </tr> <tr> <td>Port</td><td>A</td><td>B</td><td>C</td><td>D</td><td>E</td><td>non utilisé</td> </tr> </table> Les appareils intérieurs sont connectés ON Les appareils intérieurs ne sont pas connectés OFF	SW1	1	2	3	4	5	(6)	Port	A	B	C	D	E	non utilisé	Il n'y a pas de définitions d'adresses pour les appareils intérieurs.	-
SW1	1	2	3	4	5																																											
	ON	ON	ON	ON	ON																																											
Port	A	B	C	D	E																																											
Adresse	01	02	03	04	05	(SW11, 12) (numéros séquentiels)																																										
SW1	1	2	3	4	5	(6)																																										
Port	A	B	C	D	E	non utilisé																																										

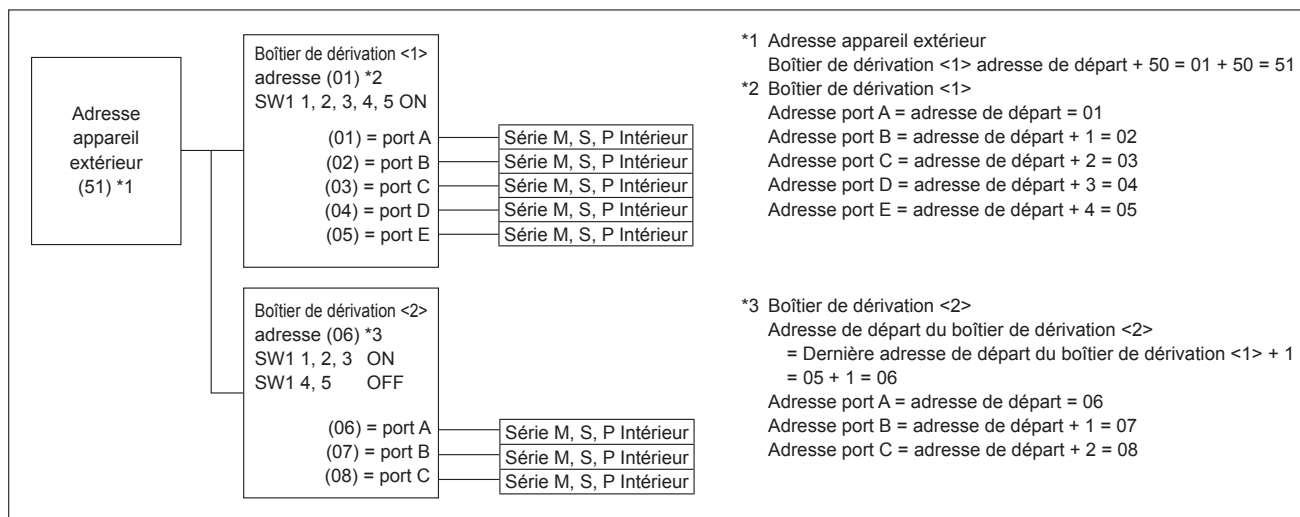
Remarque : 1. Adresse du boîtier de dérivation

Lors de la définition de l'adresse, utiliser un nombre dans la plage 1-50.

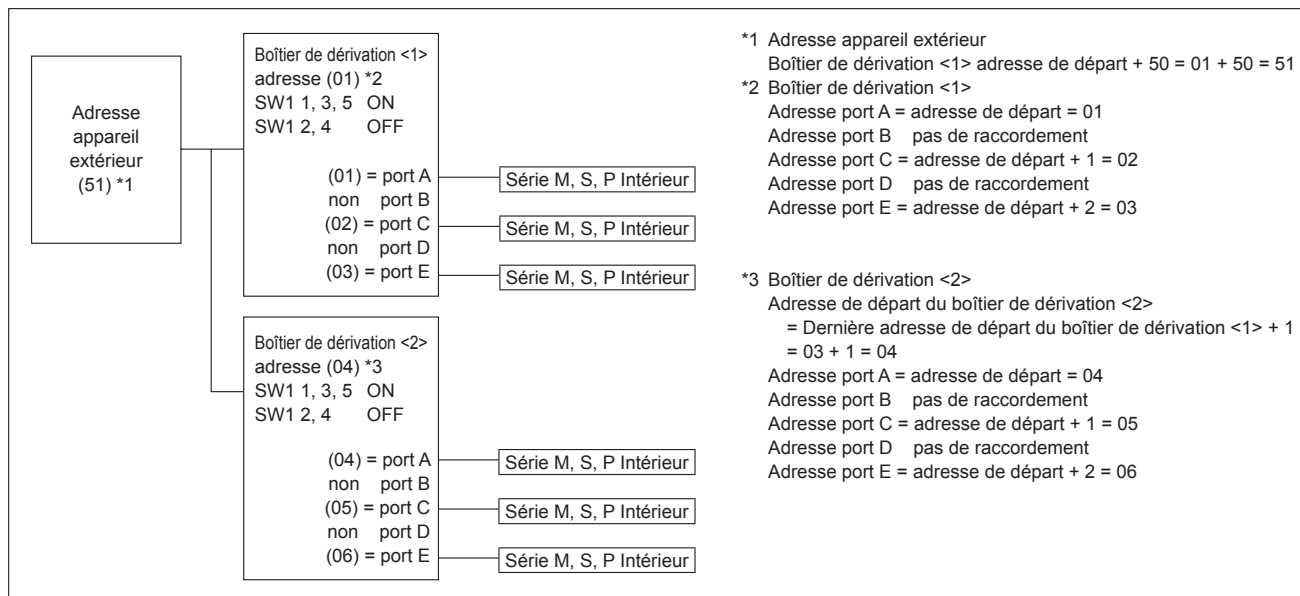
Ex. L'adresse définie est (47) et il y a 5 appareils intérieurs (A, B, C, D et E).

Si A : (47), B : (48), C : (49), D : (50) et E : (51), E est incorrect parce qu'il dépasse 50.

Ex1. Extérieur + Embranchement <1> (Série M, S, P Intérieur A, B, C, D, E) + Embranchement <2> (Série M, S, P Intérieur A, B, C)

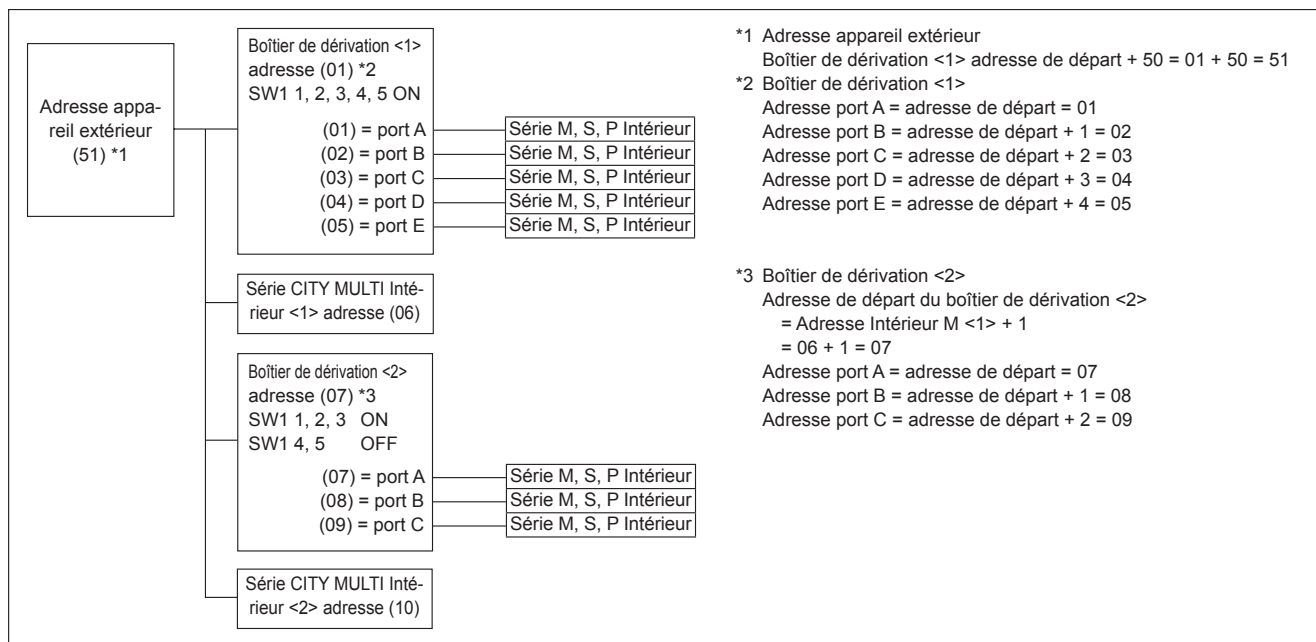


Ex2. Extérieur + Embranchement <1> (Série M, S, P Intérieur A, C, E) + Embranchement <2> (Série M, S, P Intérieur A, C, E)



## 6. Installations électriques

Ex3. Extérieur + Embranchement <1> (Série M, S, P Intérieur A, B, C, D, E) + Embranchement <2> (Série M, S, P Intérieur A, B, C) + Série CITY MULTI Intérieur <1> + Série CITY MULTI Intérieur <2>



## 7. Marche d'essai

### 7.1. Avant la marche d'essai

- ▶ Lorsque l'installation, le tuyautage et le câblage des appareils intérieur et extérieur sont terminés, vérifier l'absence de fuites de réfrigérant, la fixation des câbles d'alimentation et de commande, l'absence d'erreur de polarité et contrôler qu'aucune phase de l'alimentation n'est déconnectée.
- ▶ Utiliser un appareil de contrôle des M-ohm de 500 volts pour vérifier que la résistance entre les bornes d'alimentation et la mise à la terre est d'au moins 1 MΩ.
- ▶ Ne pas effectuer ce test sur les terminaux des câbles de contrôle (circuit à basse tension).

#### ⚠ Avertissement:

Ne pas utiliser le climatiseur si la résistance de l'isolation est inférieure à 1 MΩ.

#### Résistance de l'isolation

Après l'installation ou après la coupure prolongée de la source d'alimentation, la résistance de l'isolation chutera en deçà de 1 MΩ en raison de l'accumulation de réfrigérant dans le compresseur. Il ne s'agit pas d'un dysfonctionnement. Respectez les procédures suivantes.

1. Retirer les câbles du compresseur et mesurer la résistance de l'isolation du compresseur.
2. Si la résistance de l'isolation est inférieure à 1 MΩ, le compresseur est défaillant ou du réfrigérant s'est accumulé dans le compresseur.

3. Après avoir connecté les câbles au compresseur, celui-ci commence à chauffer dès qu'il est sous tension. Après avoir mis sous tension le compresseur pendant les durées indiquées ci-dessous, mesurer de nouveau la résistance de l'isolation.

- La résistance de l'isolation chute en raison de l'accumulation de réfrigérant dans le compresseur. La résistance dépassera 1 MΩ après que le compresseur a chauffé pendant 12 heures.  
(Le temps mis par le compresseur pour chauffer varie selon les conditions atmosphériques et l'accumulation de réfrigérant.)
  - Pour faire fonctionner le compresseur dans lequel s'est accumulé du réfrigérant, il est nécessaire de le faire chauffer pendant au moins 12 heures afin d'éviter toute défaillance.
4. Si la résistance de l'isolation dépasse 1 MΩ, le compresseur n'est pas défectueux.

#### ⚠ Précaution:

- **Le compresseur fonctionnera uniquement si les connexions des phases de l'alimentation électrique sont correctes.**
- **Mettez l'appareil sous tension au moins 12 heures avant de le faire fonctionner.**
- La mise en marche de l'appareil immédiatement après sa mise sous tension pourrait provoquer de sérieux dégâts aux éléments internes. Ne mettez pas l'appareil hors tension pendant la saison de fonctionnement.

#### ▶ Les points suivants doivent être contrôlés également.

- L'appareil extérieur n'est pas défectueux. Le témoin sur la carte de commandes de l'appareil extérieur clignote lorsque celui-ci est défectueux.
- Les vannes d'arrêt de liquide et de gaz sont complètement ouvertes.

## 7.2. Marche d'essai

### 7.2.1. Utilisation de la télécommande

Se reporter au manuel d'installation de l'appareil intérieur.

#### A propos du mécanisme de protection de redémarrage

A l'arrêt du compresseur, le dispositif préventif de redémarrage s'active de sorte que le compresseur ne sera pas opérationnel pendant 3 minutes, afin de protéger le climatiseur.

- Veiller à effectuer un essai pour chaque appareil intérieur. Vérifier que chaque appareil intérieur fonctionne correctement et conformément aux instructions du manuel d'installation fourni avec l'appareil.
- Si l'essai est réalisé simultanément pour tous les appareils intérieurs, il est impossible de détecter les mauvais raccordements, le cas échéant, des tuyaux de réfrigérant et des fils de raccordement.
- \* Il faut attendre au moins 3 minutes après la mise sous tension du compresseur pour que ce dernier soit opérationnel.
- Le compresseur peut émettre un son juste après sa mise sous tension ou si la température de l'air extérieur est basse.
- En fonction des conditions de fonctionnement, le ventilateur de l'appareil extérieur peut s'arrêter alors que le compresseur fonctionne. Il ne s'agit pas d'un dysfonctionnement.

## 7.3. Récupération du réfrigérant (Aspiration)

Effectuer les procédures suivantes pour récupérer le réfrigérant en cas de déplacement de l'appareil intérieur ou de l'appareil extérieur.

- ① Couper le disjoncteur.
- ② Raccorder le côté basse pression du collecteur à jauge à l'ouverture de service du robinet d'arrêt du gaz.
- ③ Fermer le robinet d'arrêt du liquide.
- ④ Rétablir le courant (disjoncteur).
- \* Le démarrage de la communication interne-externe prend environ 3 minutes après la mise sous tension (coupe-circuit). Démarrer la purge 3 à 4 minutes après la mise sous tension (coupe-circuit).
- ⑤ Vérifier que SW3-2 est sur OFF, puis placer SW3-1 sur ON pour exécuter l'essai de fonctionnement en mode de refroidissement. Le compresseur (appareil extérieur) et les ventilateurs (appareils intérieurs et extérieurs) démarrent et l'essai de refroidissement commence. Immédiatement après avoir exécuté le test de fonctionnement en mode de refroidissement, basculer le commutateur SW2-4 (commutateur de purge) de l'appareil extérieur de OFF à ON.
- \* Ne pas faire fonctionner l'appareil longtemps lorsque le commutateur SW2-4 est activé (ON). Veiller à désactiver le commutateur (OFF) une fois la purge terminée.

- ⑥ Fermer complètement le robinet d'arrêt du gaz lorsque le manomètre indique 0,05 - 0,00 MPa (environ 0,5 - 0,0 kgf/cm<sup>2</sup>)
- ⑦ Arrêter le climatiseur (SW3-1 : OFF). Basculer le commutateur SW2-4 de ON à OFF.
- ⑧ Couper le courant (disjoncteur).

\* Si une trop grande quantité de réfrigérant a été ajoutée au système de climatisation, il est possible que la pression ne puisse pas baisser jusqu'à 0,05 MPa (0,5 kgf/cm<sup>2</sup>). Dans ce cas, utiliser un dispositif de collecte du réfrigérant pour recueillir la totalité du réfrigérant du système, puis recharger la quantité de réfrigérant correcte dans le système après avoir déplacé les appareils intérieurs et extérieurs.

#### ⚠ Avertissement:

**Pendant la purge du réfrigérant, arrêter le compresseur avant de débrancher les tuyaux de réfrigérant. Le compresseur risque d'éclater et de provoquer des blessures si une substance étrangère, comme de l'air, pénètre dans le système.**

# Inhoud

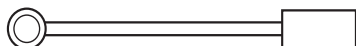
1. Veiligheidsvoorschriften.....	68	5. Installatie van Draineerbuizen .....	80
2. Installatieplaats.....	70	6. Elektrische aansluitingen.....	80
3. Het buitenapparaat installeren .....	73	7. Proefdraaien.....	89
4. Installeren van de koelstofleidingen .....	73		

## ⚠ Voorzichtig:

- Zorg ervoor dat geen R410A in de atmosfeer terecht komt.

## Overzicht van meegeleverde onderdelen

Naast deze handleiding wordt het volgende onderdeel meegeleverd met de buitenunit. Het wordt gebruikt voor aarding van aansluitklem S van transmissie-aansluitblok TB7. Raadpleeg "6. Elektrische aansluitingen" voor meer informatie.



Aardendraad

## 1. Veiligheidsvoorschriften

- ▶ Lees alle "Veiligheidsvoorschriften" voordat u het apparaat installeert.
- ▶ Stel de aanleverende instantie op de hoogte of vraag om toestemming voordat u het systeem aansluit op het net.
- ▶ PUMY-P-VKM-serie voldoet aan IEC/EN 61000-3-12
- ▶ PUMY-P-VKM-serie en PUMY-P-YKME-serie zijn ontworpen en bedoeld voor gebruik in woonomgevingen, commerciële omgevingen en licht industriële omgevingen.
- ▶ De PUMY-P-YKME-serie is ontworpen als professionele apparatuur.
- ▶ Gebruik PUMY-P-YKME4 om een ATW-binnenuit (EHST20C- en EHSC-serie) aan te sluiten met een 3-fasenmodel.

### ⚠ Waarschuwing:

Beschrijft maatregelen die genomen moeten worden om het risico van verwonding of dood van de gebruiker te voorkomen.

### ⚠ Voorzichtig:

Beschrijft maatregelen die genomen moeten worden om schade aan het apparaat te voorkomen.

### ⚠ Waarschuwing:

- Het apparaat mag niet door de gebruiker zelf worden geïnstalleerd. Vraag de dealer of een erkende installateur om het apparaat te installeren. Onjuiste installatie van het apparaat kan leiden tot waterlekage, elektrische schokken of brand.
- Dit toestel is bedoeld voor gebruik door deskundige of getrainde gebruikers in winkels, in de lichte industrie en op boerderijen, of voor commercieel gebruik door leken.
- Volg voor de installatie de instructies in de installatiehandleiding en gebruik gereedschap en pijpmateriaal dat speciaal is gemaakt voor gebruik met R410A-koelstof. De R410A-koelstof in het HFC-systeem wordt gebruikt onder een 1,6 maal grotere druk als normale koelstoffen. Wanneer niet voor R410A-koelstof ontworpen pijpdelen worden gebruikt en het apparaat onjuist wordt geïnstalleerd, kunnen de pijpen knappen waardoor schade of letsel kan ontstaan. Daarnaast kunnen waterlekage, elektrische schokken of brand optreden.
- Het apparaat dient volgens de instructies te worden geïnstalleerd om het risico op beschadiging bij een aardbeving of storm te beperken. Een onjuist geïnstalleerd apparaat kan vallen en schade of letsel veroorzaken.
- Het apparaat moet worden geïnstalleerd op een constructie die het gewicht ervan kan dragen. Als het apparaat wordt geïnstalleerd op een instabiele constructie, kan het vallen en schade of letsel veroorzaken.
- Als het apparaat in een kleine ruimte wordt geïnstalleerd, moeten maatregelen worden genomen tegen het weglekken van koelstof. De concentratie weggelekt koelstof in de lucht mag de grenswaarden niet overschrijden. Vraag de dealer wat u tegen het overmatig weglekken van koelstof kunt doen. Als de concentratie koelstof in de lucht te hoog wordt, kan zuurstofgebrek in de ruimte optreden.
- Ventileer de ruimte als er koelstof weglekt wanneer het apparaat in werking is. Als de koelstof in contact komt met vuur, komen giftige gassen vrij.
- De installatie van de elektrische onderdelen moet worden uitgevoerd door een gediplomeerde elektricien in overeenstemming met de lokale regelgeving en de instructies in deze handleiding. Installeer stroomonderbrekers en zorg voor een juiste voedingsspanning. Sluit geen andere apparatuur aan op de voedingsleidingen van de apparaten. Onjuist geïnstalleerde of ongeschikte voedingsleidingen kunnen elektrische schokken of brand veroorzaken.
- Gebruik fosforhoudende, zuurstofarme, naadloze C1220-pijpen van koper of koperlegeringen als koelstofpijpen. Als de pijpen onjuist worden aangesloten, is het apparaat niet goed geaard en kunnen elektrische schokken optreden.

Informeer de klant na voltooiing van de installatie over de "Veiligheidsvoorschriften", het gebruik en het onderhoud van het apparaat en laat het apparaat proefdraaien om de werking ervan te controleren. Zowel de installatie- als de gebruikershandleiding dienen ter bewaring aan de gebruiker te worden gegeven. Deze handleidingen dienen te worden doorgegeven aan latere gebruikers.

⚠ : Geeft een onderdeel aan dat geaard moet worden.

### ⚠ Waarschuwing:

Lees de stickers die op het apparaat zitten zorgvuldig.

- Gebruik uitsluitend de gespecificeerde kabels voor het verbinden. De aansluitingen moeten stevig vastzitten zonder druk op de aansluitpunten. Splijt de kabels nooit voor het bedraden (tenzij in deze handleiding anders wordt aangegeven). Het niet opvolgen van deze aanwijzingen kan leiden tot oververhitting of brand.
- Het deksel van het aansluitblok van het buitenapparaat moet stevig worden vastgemaakt. Bij onjuiste montage van het deksel kunnen stof en vocht in het apparaat komen, wat een elektrische schok of brand kan veroorzaken.
- Gebruik bij het installeren of verplaatsen van het apparaat uitsluitend de voorgeschreven koelstof (R410A) voor het vullen van de koelstofpijpen. Meng de koelstof niet met andere koelstoffen en let erop dat er geen lucht in de pijpen achterblijft. Als de koelstof wordt gemengd met lucht, kan dit een uitzonderlijk hoge druk in de koelstofpijp tot gevolg hebben. Dit kan resulteren in explosiegevaar en andere gevaren.
- Als er een andere koelstof wordt gebruikt dan de voorgeschreven koelstof, heeft dit mechanische storingen, storingen van het systeem of uitvallen van het apparaat tot gevolg. In het ergste geval kan de veiligheid van het product ernstig in gevaar komen.
- Gebruik uitsluitend door Mitsubishi Electric goedgekeurde accessoires en vraag de dealer of een erkende installateur deze te installeren. Onjuiste installatie van accessoires kan leiden tot waterlekage, elektrische schokken of brand.
- Breng geen wijzigingen aan aan het apparaat. Neem voor reparatie contact op met de dealer. Onjuist uitgevoerde reparaties of wijzigingen kunnen leiden tot waterlekage, elektrische schokken of brand.
- De gebruiker mag nooit proberen het apparaat zelf te repareren of te verplaatsen. Onjuiste installatie van het apparaat kan leiden tot waterlekage, elektrische schokken of brand. Als het apparaat moet worden gerepareerd of verplaatst, neem dan contact op met de dealer of een erkende installateur.
- Controleer na voltooiing van de installatie op koelstoflekage. Als koelstof naar de ruimte lekt en in contact komt met de vlam van een verwarmings- of kookapparaat, komen giftige gassen vrij.
- Het apparaat moet worden geïnstalleerd in overeenstemming met de nationaal geldende regels voor bedrading.
- Als het netsnoer beschadigd is, moet het worden vervangen door de fabrikant, zijn serviceorganisatie of gelijkwaardig gekwalificeerde personen om gevaar te vermijden.

# 1. Veiligheidsvoorschriften

## 1.1. Voor de installatie

### ⚠ Voorzichtig:

- Gebruik het apparaat niet in bijzondere omgevingen. Installeer de airconditioner niet in ruimtes waarin deze wordt blootgesteld aan stoom, vluchtige olie (inclusief machine-olie) of zwavelgas, gebieden met een zout klimaat zoals de kust of gebieden waar het apparaat kan worden bedekt door sneeuw, omdat hierdoor de prestaties aanzienlijk kunnen verminderen en schade kan ontstaan aan de interne onderdelen.
- Installeer het apparaat niet in ruimtes waar brandbare gassen worden geproduceerd of kunnen lekken, stromen of samenstromen. Ophoping van brandbare gassen rond het apparaat kan leiden tot brand of een explosie.
- Het buitenapparaat produceert condens tijdens de verwarmingsfase. Zorg voor afvoer rond het buitenapparaat als dergelijk condensvocht schade kan veroorzaken.
- Houd rekening met geluid en elektrische storingen bij installatie van het apparaat in een ziekenhuis of communicatieruimte. Stroomomzetters, huis-houdelijke apparaten, hoogfrequente medische apparatuur en radiocommunicatieapparatuur kunnen storingen in de airconditioner veroorzaken. Omgekeerd kan de airconditioner storingen veroorzaken in medische apparatuur, communicatieapparatuur en de weergave van beeldschermen.

## 1.2. Voor de installatie (verplaatsing)

### ⚠ Voorzichtig:

- Ga zeer voorzichtig te werk bij het verplaatsen van het apparaat. Het apparaat dient door twee of meer personen te worden getild, aangezien het 20 kg of meer weegt. Til het apparaat niet op aan de verpakingsbanden. Draag beschermende handschoenen bij het uitpakken en verplaatsen van het apparaat om te voorkomen dat u zich snijdt aan de vinnen of andere onderdelen.
- Zorg dat het verpakkingsmateriaal op een veilige manier wordt weggevoerd. Verpakkingsmaterialen zoals klemmen en andere metalen of houten onderdelen kunnen snijwonden of ander letsel veroorzaken.
- Controleer de dragende constructie en bevestiging van het buitenapparaat regelmatig op loszitten, scheuren of andere beschadigingen. Als dergelijke problemen niet worden verholpen, kan het apparaat vallen en schade of letsel veroorzaken.
- Gebruik geen water om de airconditioner te reinigen. Hierdoor kunnen elektrische schokken optreden.
- Trek alle flensmoeren aan tot het opgegeven aanhaalmoment met een momentsleutel. Bij overmatig aantrekken kan de flensmoer na enige tijd breken waardoor koelstof kan weglekken.

## 1.3. Voor de installatie van de elektrische bedrading

### ⚠ Voorzichtig:

- Installeer stroomonderbrekers. Als er geen stroomonderbrekers worden geïnstalleerd, kunnen elektrische schokken optreden.
- Gebruik voor de voedingsleidingen standaardkabels met voldoende capaciteit. Te lichte kabels kunnen kortsluiting, oververhitting of brand veroorzaken.
- Oefen bij de installatie van de voedingsleidingen geen trekkracht uit op de kabels. Als de aansluitingen loszitten, kunnen de kabels loskomen of breken en oververhitting of brand veroorzaken.
- Zorg ervoor dat het apparaat goed is geaard. Sluit de aardleiding niet aan op een gas- of waterleiding, bliksemafleider of aardleiding voor de telefoon. Onjuiste aarding van het apparaat kan elektrische schokken veroorzaken.
- Gebruik stroomonderbrekers (aardlekschakelaar, isolatieschakelaar (+B-zekering) en onderbreker met gegoten behuizing) met de opgegeven capaciteit. Het gebruik van stroomonderbrekers met een te hoge capaciteit kan storingen of brand veroorzaken.

## 1.4. Voor het proefdraaien

### ⚠ Voorzichtig:

- Zet de netspanningsschakelaar ten minste 12 uur voordat u het apparaat gaat gebruiken aan. Als u het apparaat direct na het aanzetten van de netspanningsschakelaar inschakelt, kunnen de interne onderdelen ernstig beschadigd raken. Laat de netspanningsschakelaar altijd aanstaan gedurende het seizoen waarin u het apparaat gebruikt.
- Controleer voordat u begint met proefdraaien of alle panelen, beveiligingen en andere beschermende onderdelen goed zijn geïnstalleerd. Draaiende of warme onderdelen of onderdelen onder hoge spanning kunnen letsel veroorzaken.
- Raak de schakelaars nooit met natte vingers aan. Hierdoor kan een elektrische schok optreden.
- Raak de koelstofpijpen niet met blote handen aan als het apparaat in werking is. De koelstofpijpen zijn heet of koud afhankelijk van de toestand van de koelstof. Bij het aanraken van de pijpen kunt u brandwonden of bevriezingen oplopen.
- Wacht nadat het apparaat is uitgeschakeld ten minste vijf minuten voordat u de netspanningsschakelaar uitzet. Eerder uitzetten kan waterlekage of storingen veroorzaken.

## 1.5. Gebruik van airconditioners met R410A-koelstof

### ⚠ Voorzichtig:

- Gebruik fosforhoudende, zuurstofarme, naadloze C1220-pijpen van koper of koperlegeringen als koelstofpijpen. Controleer of de binnenkant van de pijpen schoon is en vrij van schadelijke stoffen zoals zwavelverbindingen, oxidanten, vuil of stof. Gebruik pijpen van de opgegeven dikte. (Zie p. 73) Let bij hergebruik van pijpen waarin R22-koelstof heeft gezeten op het volgende.
  - Vervang de bestaande flensmoeren en tromp de aansluitingsoppervlakken opnieuw op.
  - Gebruik geen dunne pijpen. (Zie p. 73)
- Bewaar de pijpen die voor de installatie zullen worden gebruikt binnenshuis en laat de verzegeling aan beide uiteinden intact tot vlak voor het solderen. (Laat kniestukken, etc. in hun verpakking.) Het binnendringen van stof, vuil of vocht in de koelstofpijpen kan leiden tot achteruitgang van de olie of compressorstoringen.
- Gebruik esterolie, etherolie of alkylbenzeen (in kleine hoeveelheden) als koelolie om de aansluitingsoppervlakken af te dichten. Vermenging van de koelolie met mineraalolie kan leiden tot achteruitgang van de koelolie.
- Gebruik uitsluitend R410A-koelstof. Bij gebruik van andere koelstoffen veroorzaakt de chloor achteruitgang van de koelolie.
- Gebruik gereedschap dat speciaal is ontworpen voor gebruik met R410A-koelstof. Het volgende gereedschap is vereist. Neem voor vragen contact op met de dichtstbijzijnde dealer.
- Gebruik uitsluitend de juiste gereedschappen. Het binnendringen van stof, vuil of vocht in de koelstofpijpen kan leiden tot achteruitgang van de koelolie.
- Maak geen gebruik van een vulcilinder. Het gebruik van een vulcilinder leidt tot veranderingen in de samenstelling van de koelstof, waardoor de efficiëntie wordt verminderd.

Gereedschap (voor R410A)	
Verdeelventiel	Optrompgereedschap
Vulslang	Maatafstemmingsmeter
Gaslekdetector	Vacuümpompadapter
Momentsleutel	Elektronische koelstofdrukmeter

TN

## 2. Installatieplaats

### 2.1. Koelpijpen

Zie Fig. 4-1.

### 2.2. De installatieplaats voor het buitenapparaat kiezen

- Vermijd plaatsen die worden blootgesteld aan direct zonlicht of andere warmtebronnen.
- Kies een plaats waar niemand last heeft van het geluid van het apparaat.
- Kies een plaats die eenvoudige aansluiting van de elektrische bedrading en pijpen naar het binnenapparaat mogelijk maakt.
- Vermijd plaatsen waar brandbare gassen worden geproduceerd of kunnen lekken, stromen of samenstromen.
- Houd er rekening mee dat er tijdens de werking water uit het apparaat kan druppelen.
- Kies een vlakke constructie die bestand is tegen het gewicht en de trillingen van het apparaat.
- Vermijd plaatsen waar het apparaat door sneeuw kan worden bedekt. In sneeuwrijke gebieden moeten speciale maatregelen worden getroffen zoals het verhogen van de installatieplaats of het plaatsen van een afdak om te voorkomen dat de sneeuw in of tegen de luchtinlaat terechtkomt. De sneeuw kan de normale luchtstroom bemoeilijken en storingen veroorzaken.
- Vermijd plaatsen die worden blootgesteld aan olie, stoom of zwavelgas.
- Gebruik de tilhandgrepen van het buitenapparaat om het apparaat te verplaatsen. Als het apparaat van onderen wordt beetgepakt, kunnen verwondingen ontstaan aan de handen of vingers.

(mm)

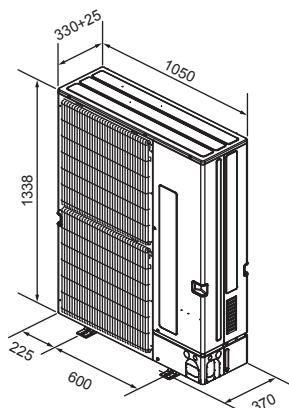


Fig. 2-1

Tabel 2 Aantal aansluitbare binnenunits

• City Multi-binnenunits

P112	1-9 *1
P125	1-10 *2
P140	1-12 *3

- \*1 U kunt 10 binnenunits uit de M-serie aansluiten via de aansluitset.  
 \*2 U kunt 12 binnenunits uit de M-serie aansluiten via de aansluitset.  
 \*3 Als alle binnenunits P15-modellen zijn, kunnen 12 binnenunits worden aangesloten.

• Aftakdoosysteem (binnenunits uit M-, S-, P-serie via aftakdoos)

P112	2-8
P125	2-8
P140	2-8

• Gemengd systeem (City Multi-binnenunits en binnenunits uit M-, S-, P-serie via aftakdoos)

	Eén aftakdoos		Twee aftakdozen	
	Via aftakdoos	City Multi-binnenunits	Via aftakdoos	City Multi-binnenunits
P112	Max. 5	Max. 5*1	Max. 7 Max. 8	Max. 3*1 Max. 2*1
P125	Max. 5	Max. 5*1	Max. 8	Max. 3*1
P140	Max. 5	Max. 5*1	Max. 8	Max. 3*1

\*1 Binnenapparaten van de typen PKFY-P-VBM, PFFY-P-VKM en PFFY-P-VL\* kunnen niet worden gebruikt in een gemengd systeem.

Tabel 3 Specificaties van PWFY-unit

Model		PWFY-P100VM-E-AU
Temp.bereik van verwarming	Buitentemp.	-15 tot 21°C (drogeboltemp.), -15 tot 15°C (natteboltemp.)
	Inlaatwatertemp.	10 tot 45°C
Temp.bereik van koeling	Buitentemp.	-
	Inlaatwatertemp.	-

SW1

	1	2	3	4	5	6	7	8	9	10
ON (Aan)	■									

SW4

	1	2	3	4	5	6	7	8	9	10
ON (Aan)	■				■					

Fig. 2-2

### 2.3. Buitenafmetingen (Buitenapparaat) (Fig. 2-1)

#### Beperkingen bij de installatie van binnenunits

De volgende binnenunit-modellen kunnen op deze buitenunit worden aangesloten.

- Binnenunits met modelnummers 15-140 kunnen worden aangesloten.
- Bij gebruik van een aftakdoos kunnen binnenunits met modelnummers 15-100 worden aangesloten. Zie onderstaande tabel 1 voor mogelijke combinaties van ruimtes en binnenunits.

#### Verificatie

De nominale capaciteit moet worden bepaald aan de hand van de onderstaande tabel. Het aantal units is beperkt zoals in onderstaande tabel 2 is afgebeeld. Controleer alvorens verder te gaan of de geselecteerde totale nominale capaciteit binnen het bereik valt van 50% - 130% van de capaciteit van het buitenapparaat.

- PUMY-P112 6,3 - 16,2 kW
- PUMY-P125 7,1 - 18,2 kW
- PUMY-P140 8,0 - 20,2 kW

Tabel 1-1 City Multi-binnenunits (P-FY-serie)

Type binnenunit	P15*	P20	P25	P32	P40	P50	P63	P71	P80	P100	P125	P140
Nominale capaciteit (koelen) (kW)	1,7	2,2	2,8	3,6	4,5	5,6	7,1	8,0	9,0	11,2	14,0	16,0

Tabel 1-2 (M-serie, P-serie, S-serie)

Type binnenunit	15	20	22	25	35	42	50	60	71	80	100
Nominale capaciteit (koelen) (kW)	1,5	2,0	2,2	2,5	3,5	4,2	5,0	6,0	7,1	8,0	10,0

Bij combinaties waarbij de totale capaciteit van de binnenunits boven de capaciteit van de buitenunit komt, zal de koelcapaciteit van alle binnenunits verminderen tot onder hun nominale koelcapaciteit. Combineer daarom bij voorkeur binnenunits met een totale capaciteit die minder bedraagt dan de capaciteit van de buitenunit.

\* Als alle binnenunits modellen van P15 zijn, kunnen er 12 binnenunits op 1 buitenunit worden aangesloten.

### 2.4. Een PWFY-unit aansluiten

Bij gebruik van een PWFY-unit als binnenunit dient u rekening te houden met de volgende punten, omdat de PWFY-unit afwijkt van andere binnenunits. Een PWFY-unit kan niet binnen de EU worden aangesloten.

#### 2.4.1. Aansluitingsbeperkingen

- Alleen 1 PWFY-P100VM-E-AU kan worden aangesloten. PWFY-P200VM-E-AU en PWFY-P100VM-E-BU kunnen niet worden aangesloten.
- De PWFY-unit mag niet de enige unit zijn die op een buitenunit is aangesloten. Selecteer een zodanige buitenunit dat de totale nominale capaciteit van de binnenunits (de PWFY-unit niet meegerekend) 50 - 100% van de capaciteit van de buitenunit bedraagt.

Limieten voor de totale nominale capaciteit van de binnenunits bij het aansluiten van een PWFY-unit

- PUMY-P112 (1 PWFY-unit + niet-PWFY-units [6,3 - 12,5 kW])
- PUMY-P125 (1 PWFY-unit + niet-PWFY-units [7,1 - 14,0 kW])
- PUMY-P140 (1 PWFY-unit + niet-PWFY-units [8,0 - 15,5 kW])

#### 2.4.2. Specificaties voor binnenunits

Wanneer u een PWFY-unit op een PUMY-unit aansluit, veranderen de volgende specificaties.

- De PWFY-unit werkt alleen in de verwarmingsstand. De PWFY-unit werkt niet in de koelstand. De andere binnenunits werken echter wel in de koelstand.
- De andere binnenunits kunnen niet tegelijk met de PWFY-unit werken.
- De werking van de PWFY-unit heeft prioriteit. Wanneer de PWFY-unit in bedrijf wordt gesteld, stoppen de andere binnenunits.
- De temperatuurstelling van de afstandsbediening is de streefwaarde voor de uitlaatwatertemperatuur.

#### 2.4.3. De instellingen van de schakelaar (Fig. 2-2)

Zet de DIP-schakelaars SW1-1, SW4-2 en SW4-6 van de PWFY-unit op ON (Aan) wanneer u een PWFY-unit op een PUMY-unit aansluit.

#### 2.4.4. Proefdraaien

Als u voor het proefdraaien de schakelaars van de buitenunit gebruikt, werkt de PWFY-unit niet. Gebruik de afstandsbediening of de schakelaars van de PWFY-unit om de unit te laten proefdraaien. Raadpleeg het databoek of de onderhoudshandleiding van de PWFY-unit voor informatie over proefdraaien.

#### 2.4.5. Verzamelen van de koelstof (leegpompen)

Bij stap ① in de procedure voor leegpompen wordt de gebruiker geïnstrueerd om "bij alle binnenapparaten de koelmodus in te schakelen". De PWFY-unit werkt echter niet in de koelstand.

Gebruik alle binnenunits behalve de PWFY-unit in de koelstand.

## 2. Installatieplaats

### 2.5. Een cilinder (EHST20C) of hydrobox-unit (EHSC) aansluiten

Bij het aansluiten van een cilinder of hydrobox-unit dient u rekening te houden met de volgende punten, omdat deze units afwijken van andere binnenunits.

#### 2.5.1. Aansluitingsbeperkingen

- Er kan slechts 1 cilinder (EHST20C) of 1 hydrobox-unit (EHSC) worden aangesloten. (EHST20C-MEC, EHST20D-serie, EHPT20X-serie, EHSD-serie, EHSC-MEC, ERSD-serie, ERSC-serie en EHPX-serie kunnen niet worden aangesloten.)
- Gebruik een PAC-MK32/52BC(B)-aftakdoos bij het aansluiten van Ecodan-systemen. (U kunt geen PAC-MK31/51BC(B)-aftakdoos gebruiken.)
- PWFY-units kunnen niet tegelijkertijd met een cilinder of een hydrobox-unit worden aangesloten.
- ATA-binnenunits\*1 met een totale nominale capaciteit van 50% – 130% van de capaciteit van de buitenunit en 1 cilinder of 1 hydrobox-unit kunnen worden aangesloten.

\*1 ATA-binnenunit: een binnenunit zonder PWFY-, cilinder- of hydrobox-unit.

PUMY-P112 1 cilinder of 1 hydrobox-unit + ATA-binnenunits [max. 16,2 (1,3\*2) kW]

PUMY-P125 1 cilinder of 1 hydrobox-unit + ATA-binnenunits [max. 18,2 (2,8\*2) kW]

PUMY-P140 1 cilinder of 1 hydrobox-unit + ATA-binnenunits [max. 20,2 (4,3\*2) kW]

\*2 Bij gelijktijdig gebruik van een cilinder of hydrobox-unit in de verwarmingsstand / DHW-modus en ATA-binnenunits.

Wel kunnen echter de volgende combinaties worden aangesloten.

· PUMY-P112: MSZ-SF15VE × 1

· PUMY-P125: MSZ-SF15VE × 2

· PUMY-P140: MSZ-SF15VE × 3

#### 2.5.2. Specificaties voor binnenunits

Wanneer u een cilinder of een hydrobox-unit aansluit, veranderen de volgende specificaties.

- De cilinder of de hydrobox-unit functioneert niet in koelmodus.
- De gebruiksmodus van de cilinder of de hydrobox-unit heeft altijd prioriteit.
- De ecomodus voor DHW-werking kan niet worden gebruikt.
- Maximale aanvoertemperatuur is 55°C. (DIP-schakelaar SW1-2 op de cilinder of hydrobox-unit moet in de stand OFF (UIT) worden gezet.)
- Energiecontrole kan alleen worden gebruikt wanneer een externe vermogensmeter is aangesloten.
- Het is niet mogelijk meerdere buitenunits te bedienen.
- Een cilinder- of hydrobox-unit kan niet worden aangesloten op een M-NET-afstandsbediening en een centrale controller.
- Ketelblokkering kan alleen worden gebruikt bij omschakeling naar de buitentemperatuur.
- Een cilinder of hydrobox-unit kan niet in dezelfde groep worden geplaatst als een ATA-binnenunit.
- Bij gelijktijdig gebruik van een cilinder of hydrobox-unit in de **Verwarmingsstand** en ATA-binnenunits dient u rekening te houden met de volgende punten.
  - Het aanvoertemperatuurbereik van de cilinder- of hydrobox-unit bij verwarming is 45°C - 55°C.
  - Stel het aanvoertemperatuurbereik in volgens de aanwijzingen in de installatiehandleiding van de cilinder of hydrobox-unit.
  - De buitentemperatuur moet -10°C of hoger zijn. Als de buitentemperatuur lager dan 7°C is, worden de aanvoertemperatuur en luchtuitlaattemperatuur verlaagd.
- Gelijktijdig gebruik van een cilinder of hydrobox-unit in de **DHW-modus** en ATA-binnenunits is alleen mogelijk als de buitentemperatuur 7°C of hoger is. Als de buitentemperatuur lager dan 7°C is, kunnen ze niet tegelijk worden gebruikt.

#### 2.5.3. De instellingen van de schakelaar

Wanneer u een cilinder of hydrobox-unit op een PUMY-unit aansluit, dient u de DIP-schakelaar SW1-2 op de cilinder of hydrobox-unit in de stand OFF (UIT) te zetten.

#### 2.5.4. Proefdraaien

Voer het proefdraaien van de cilinder of de hydrobox-unit uit via de binnenunit.

(Raadpleeg de installatiehandleiding van de cilinder of de hydrobox-unit voor informatie over het proefdraaien.)

#### 2.5.5. Verzamelen van de koelstof (leegpompen)

Voer de procedures in 7.3 uit.

### 2.6. Een binnenunit aansluiten die alleen koelt

Als een systeem een of meer binnenunits omvat die alleen koelen, stelt u het gehele systeem als koelsysteem in.

Stel de units in zoals aangegeven in tabel 4.

Tabel 4 Procedure voor het instellen van de modus alleen koelen

Apparaat		Instelling
Buitenunit	PUMY-P-V/YKM(E)4	DIP-schakelaar SW2-6 op printplaat van multi-bedieningseenheid: ON
Aftakdoos	PAC-MK-BC(B)	DIP-schakelaar SW4-5 op printplaat van bedieningseenheid van aftakdoos: ON
Binnenunit	CITY MULTI-serie	DIP-schakelaar SW3-1 op printplaat van bedieningseenheid van binnenunit: ON
	M-, S-, P-serie	Geen instelling nodig.

### 2.7. Een PEFY-P-VMA3-E aansluiten

Bij gebruik van een PEFY-P-VMA3-E dient u de volgende combinaties voor de aangesloten binnenunits te gebruiken.

	PUMY-P112	PUMY-P125	PUMY-P140
OK	PEFY-P25VMA3-E × 2 + PEFY-P32VMA3-E × 2	PEFY-P32VMA3-E × 4	PEFY-P32VMA3-E × 3 + PEFY-P40VMA3-E × 1
NEE	Alle combinaties behalve de bovenstaande	Alle combinaties behalve de bovenstaande	Alle combinaties behalve de bovenstaande
	Bijv. 1: PEFY-P25VMA3-E × 2 + PEFY-P32VMA3-E × 2	Bijv. 1: PEFY-P32VMA3-E × 3 + PEFY-P32VMA3-E × 1	Bijv. 1: PEFY-P32VMA3-E × 3 + PEFY-P40VMA3-E × 1
	Bijv. 2: PEFY-P25VMA3-E × 2 + PEFY-P32VMA3-E × 1	Bijv. 2: PEFY-P32VMA3-E × 3	Bijv. 2: PEFY-P32VMA3-E × 2 + PEFY-P40VMA3-E × 1
	Bijv. 3: PEFY-P32VMA3-E × 4 (een combinatie voor een PUMY-P125)	Bijv. 3: PEFY-P25VMA3-E × 2 + PEFY-P32VMA3-E × 2 (een combinatie voor een PUMY-P112)	Bijv. 3: PEFY-P32VMA3-E × 4 (een combinatie voor een PUMY-P125)
Bijv. 4: PEFY-P25VMA3-E × 2 + PEFY-P32VMA3-E × 2 + MSZ-FH25VE × 1	Bijv. 4: PEFY-P32VMA3-E × 3 + PLFY-P20VFM-E × 1 + SEZ-KD25VA × 1	Bijv. 4: PEFY-P32VMA3-E × 3 + PCFY-P40VKM-E × 1 + MSZ-SF15VA × 1	

Bijv. 1: Er is een plafondunit geselecteerd die niet tot de VMA3-serie behoort. Combinaties met een andere serie plafondunits zijn niet mogelijk.  
 Bijv. 2: Het aantal units is onjuist.  
 Bijv. 3: De combinatie is voor een unit met een andere capaciteit.  
 Bijv. 4: De combinatie is geen "OK"-combinatie.

### 2.8. Een PLFY-EP-VEM-E aansluiten

Voor de PLFY-EP-VEM-E kunnen maximaal 2 units worden aangesloten.

Andere binnenunits\*1 kunnen worden aangesloten zolang deze binnen de totale nominale capaciteit en het maximaal aantal aangesloten units vallen.

\*1 Behalve de PEFY-P-VMA3-E en de PEFY-P-VMH-EF.

## 2. Installatieplaats

### 2.9. Ventilatie en bereikbaarheid

#### 2.9.1. Bij installatie van één buitenapparaat

De minimale afmetingen zijn als volgt aangegeven, behalve voor Max., hetgeen betekent de Maximale afmetingen.

Raadpleeg voor alle gevallen de getallen.

- ① Alleen obstakels aan de achterzijde (Fig. 2-3)
- ② Alleen obstakels aan de achter- en bovenzijde (Fig. 2-4)
  - Maak geen gebruik van de optionele luchtgeleiders voor een opwaartse luchtstroom.
- ③ Alleen obstakels aan de achterzijde en de zijkanten (Fig. 2-5)
- ④ Alleen obstakels aan de voorzijde (Fig. 2-6)
  - Indien een optioneel luchtafvoerkanaal wordt toegepast, dient de vrije ruimte 1000 mm of meer te bedragen.
- ⑤ Alleen obstakels aan de voor- en achterzijde (Fig. 2-7)
  - Indien een optioneel luchtafvoerkanaal wordt toegepast, dient de vrije ruimte 500 mm of meer te bedragen.
- ⑥ Alleen obstakels aan de achter- en bovenzijde en de zijkanten (Fig. 2-8)
  - Maak geen gebruik van de optionele luchtgeleiders voor een opwaartse luchtstroom.

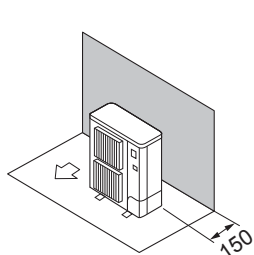


Fig. 2-3

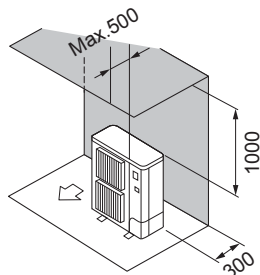


Fig. 2-4

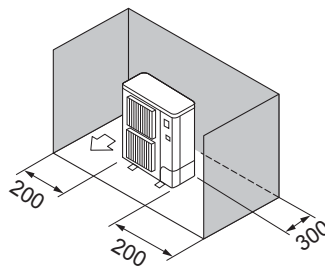


Fig. 2-5

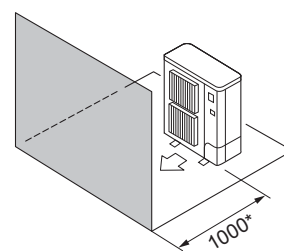


Fig. 2-6

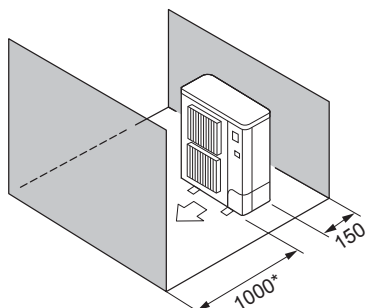


Fig. 2-7

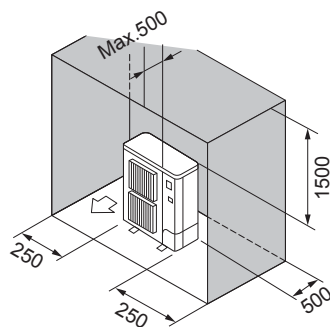


Fig. 2-8

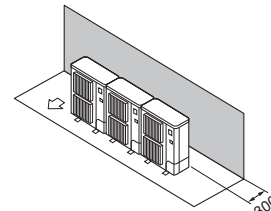


Fig. 2-9

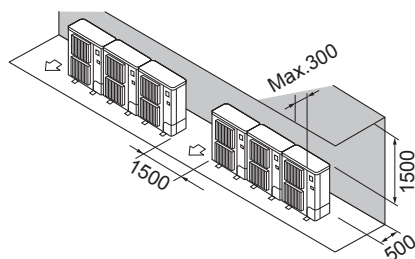


Fig. 2-10

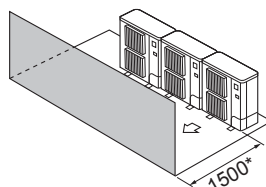


Fig. 2-11

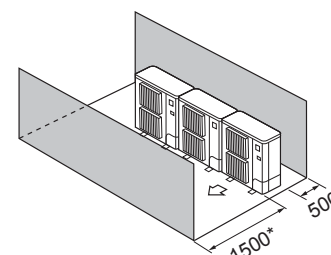


Fig. 2-12

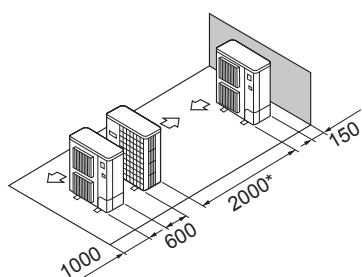


Fig. 2-13

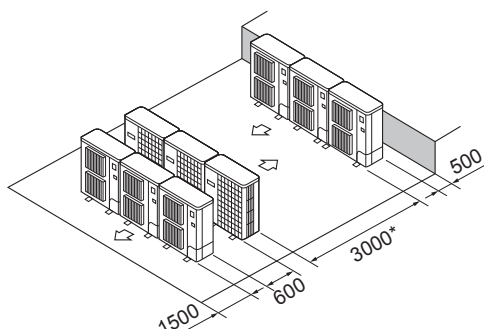


Fig. 2-14

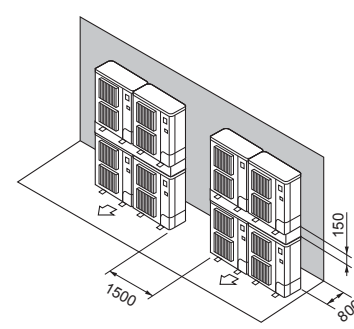


Fig. 2-15

#### 2.9.2. Bij installatie van meerdere buitenapparaten

Laat tussen de onderlinge units minimaal 25 mm ruimte.

- ① Alleen obstakels aan de achterzijde (Fig. 2-9)
- ② Alleen obstakels aan de achter- en bovenzijde (Fig. 2-10)
  - Installeer niet meer dan drie apparaten naast elkaar. Laat bovendien ruimte vrij zoals afgebeeld.
  - Maak geen gebruik van de optionele luchtgeleiders voor een opwaartse luchtstroom.
- ③ Alleen obstakels aan de voorzijde (Fig. 2-11)
  - Indien een optioneel luchtafvoerkanaal wordt toegepast, dient de vrije ruimte 1000 mm of meer te bedragen.
- ④ Alleen obstakels aan de voor- en achterzijde (Fig. 2-12)
  - Indien een optioneel luchtafvoerkanaal wordt toegepast, dient de vrije ruimte 1000 mm of meer te bedragen.
- ⑤ Opstelling met één parallel apparaat (Fig. 2-13)
  - Bij gebruik van een optionele uitlaatluchtgeleider voor een opwaartse luchtstroom moet de vrije ruimte ten minste 1000 mm bedragen.
- ⑥ Opstelling met meerdere parallelle apparaten (Fig. 2-14)
  - Bij gebruik van een optionele uitlaatluchtgeleider voor een opwaartse luchtstroom moet de vrije ruimte ten minste 1500 mm bedragen.
- ⑦ Opstelling met boven elkaar geplaatste apparaten (Fig. 2-15)
  - Er kunnen twee apparaten boven elkaar worden geplaatst.
  - Installeer niet meer dan twee boven elkaar geplaatste apparaten naast elkaar. Laat bovendien ruimte vrij zoals afgebeeld.



## 2. Installatieplaats

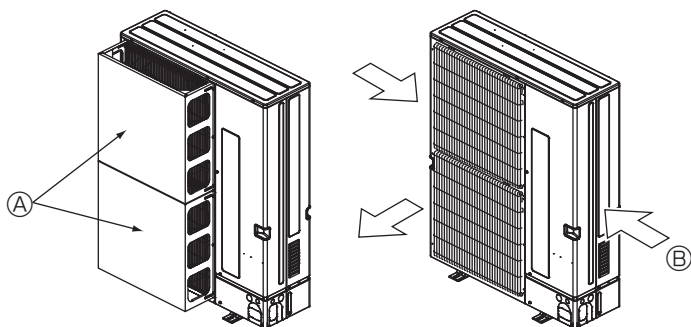


Fig. 2-16

Fig. 2-17

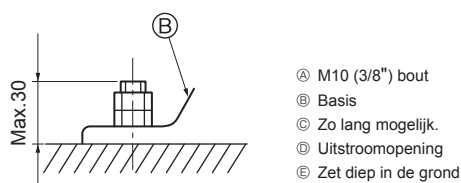
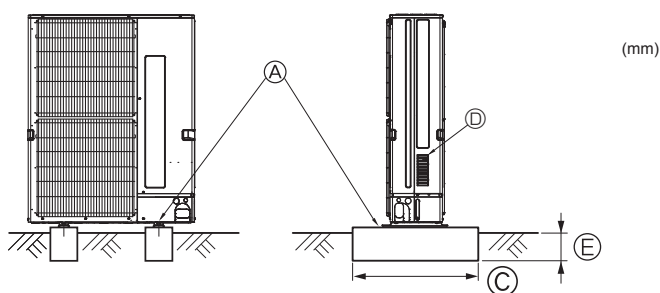
### 2.9.3. Installatie op winderige plaatsen

Als het buitenapparaat wordt geïnstalleerd op een dak of een andere plaats waar de wind vrij spel heeft, moet de luchtuitlaat van het apparaat zo worden gericht dat deze niet rechtstreeks blootstaat aan krachtige windstoten. Krachtige windstoten die de luchtuitlaat binnendringen kunnen de normale luchtstroom bemoeilijken en storingen veroorzaken.

Hieronder volgen 2 manieren om het apparaat tegen krachtige windstoten te beschermen.

- ① Installeer een optionele luchtgeleider als het apparaat wordt geïnstalleerd op een plaats waar krachtige windstoten zoals van tyfoons, enz. rechtstreeks de luchtuitlaat kunnen binnendringen. (Fig. 2-16)
  - Ⓐ Luchtgeleider
- ② Plaats het apparaat indien mogelijk zo dat de luchtuitlaat in dezelfde richting blaast als de seizoenswinden. (Fig. 2-17)
  - Ⓑ Windrichting

## 3. Het buitenapparaat installeren



- Ⓐ M10 (3/8") bout
- Ⓑ Basis
- Ⓒ Zo lang mogelijk.
- Ⓓ Uitstroombening
- Ⓔ Zet diep in de grond

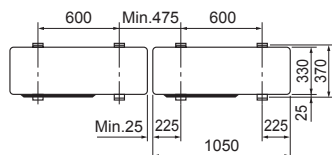


Fig. 3-1

- Zorg ervoor dat de eenheid op een stevig, waterpas oppervlak wordt geïnstalleerd om geratel tijdens het gebruik te voorkomen. (Fig. 3-1)

<Specificaties voor de fundering>

Funderingsbout	M10 (3/8")
Dikte van het beton	120 mm
Lengte van de bout	70 mm
Draagkracht	320 kg

- Zorg dat de lengte van de funderingsbout op een afstand van minder dan 30 mm van de onderkant van de basis komt.
- Zet de basis van de eenheid stevig vast met vier M10-funderingsbouten op een stevige ondergrond.

### Installatie van het buitenapparaat

- Laat de uitstroombening vrij. Als de uitstroombening wordt geblokkeerd wordt de werking van het apparaat bemoeilijkt, waardoor storingen kunnen ontstaan.
- Gebruik naast de basis van het apparaat de installatieopeningen aan de achterzijde om waar nodig bedrading etc. te bevestigen. Gebruik zelftappende schroeven (ø5 × 15 mm of minder).

### ⚠ Waarschuwing:

- Het apparaat moet worden geïnstalleerd op een constructie die het gewicht ervan kan dragen. Als het apparaat wordt geïnstalleerd op een instabiele constructie, kan het vallen en schade of letsel veroorzaken.
- Het apparaat dient volgens de instructies te worden geïnstalleerd om het risico op beschadiging bij een aardbeving of storm te beperken. Een onjuist geïnstalleerd apparaat kan vallen en schade of letsel veroorzaken.

### ⚠ Voorzichtig:

- Installeer het apparaat op een stabiele structuur om overmatig lawaai of trillingen te voorkomen.

## 4. Installeren van de koelstofleidingen

### 4.1. Voorzorgsmaatregelen voor apparaten die gebruikmaken van R410A-koelstof

- Zie p. 69 voor niet hieronder vermelde voorzorgsmaatregelen voor airconditioners die gebruikmaken van R410A-koelstof.
- Gebruik esterolie, etherolie of alkylbenzeen (in kleine hoeveelheden) als koelolie om de aansluitingsoppervlakken af te dichten.
- Gebruik fosforhoudende, zuurstofarme, naadloze C1220-pijpen van koper of koperlegeringen als koelstofpijpen. Gebruik koelstofpijpen van de in de onderstaande tabel aangegeven dikte. Controleer of de binnenkant van de pijpen schoon is en vrij van schadelijke stoffen zoals zwavelverbindingen, oxidanten, vuil of stof.

### ⚠ Waarschuwing:

Gebruik bij het installeren of verplaatsen van het apparaat uitsluitend de voorgeschreven koelstof (R410A) voor het vullen van de koelstofpijpen. Meng de koelstof niet met andere koelstoffen en let erop dat er geen lucht in de pijpen achterblijft.

Als de koelstof wordt gemengd met lucht, kan dit een uitzonderlijk hoge druk in de koelstofpijp tot gevolg hebben. Dit kan resulteren in explosiegevaar en andere gevaren.

Als er een andere koelstof wordt gebruikt dan de voorgeschreven koelstof, heeft dit mechanische storingen, storingen van het systeem of uitvallen van het apparaat tot gevolg. In het ergste geval kan de veiligheid van het product ernstig in gevaar komen.

ø6,35, ø9,52, ø12,7	Dikte 0,8 mm
ø15,88	Dikte 1,0 mm

- Gebruik geen dunnere pijpen dan hierboven aangegeven.
- De in de bovenstaande tabel genoemde diktes zijn gebaseerd op Japanse normen. Gebruik pijpen met een maximale werkdruk van 4,15 MPa [601 PSIG] of meer, conform plaatselijke normen.

## 4. Installeren van de koelstofdleidingen

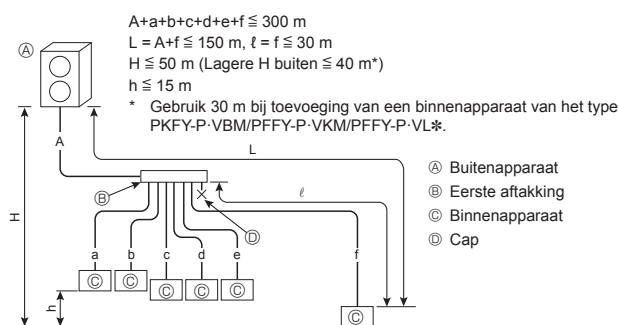
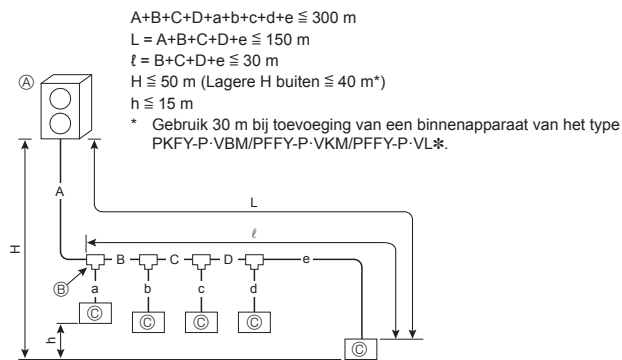


Fig. 4-1

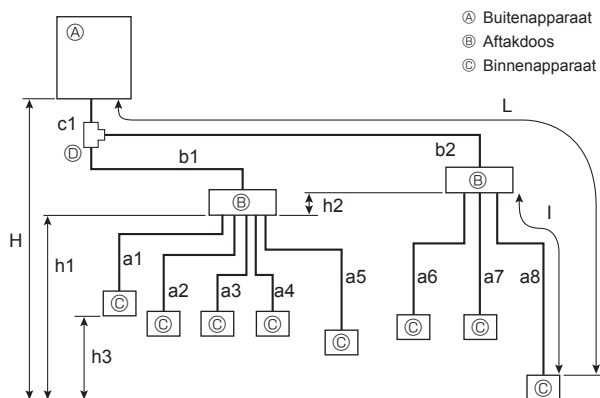


Fig. 4-2

Toegestane lengte (één richting)	Totale pijplengte	$c1 + b1 + b2 + a1 + a2 + a3 + a4 + a5 + a6 + a7 + a8 \leq 150$ m
	Grootste pijplengte (L)	$c1 + b2 + a8 \leq 80$ m
	Pijplengte tussen buitenunit en aftakdozen	$c1 + b1 + b2 \leq 55$ m
	Aftakdoos verst verwijderd van eerste aansluiting (b2)	$b2 \leq 30$ m
	Grootste pijplengte na aftakdoos (l)	$a8 \leq 25$ m
	Totale pijplengte tussen aftakdozen en binnenunits	$a1 + a2 + a3 + a4 + a5 + a6 + a7 + a8 \leq 95$ m
Toegestaan hoogteverschil (één richting)	In binnen/buiten-gedeelte (H)*1	$H \leq 50$ m (Als de buitenunit hoger staat dan de binnenunit) $H \leq 40$ m (Als de buitenunit lager staat dan de binnenunit)
	In aftakdoos/binnenunit-gedeelte (h1)	$h1 + h2 \leq 15$ m
	In elke aftakunit (h2)	$h2 \leq 15$ m
	In elke binnenunit (h3)	$h3 \leq 12$ m
Aantal bochten	$ c1 + b1 + a1 ,  c1 + b1 + a2 ,  c1 + b1 + a3 ,  c1 + b1 + a4 ,  c1 + b1 + a5 ,  c1 + b2 + a6 ,  c1 + b2 + a7 ,  c1 + b2 + a8  \leq 15$	

\*1 De aftakdoos dient te worden geplaatst op een niveau dat tussen dat van de buitenunits en de binnenunits ligt.

## 4.2. Pijplengte en hoogteverschil

### 4.2.1. Aansluiting zonder aftakdoos (Fig. 4-1)

A	(mm)	
	A Vloeistofpijp	B Gaspijp
PUMY-P112-140	$\varnothing 9,52$	$\varnothing 15,88$

B, C, D	(mm)	
	A Vloeistofpijp	B Gaspijp
☐ Totale capaciteit binnenapparaten	$\varnothing 9,52$	$\varnothing 15,88$

a, b, c, d, e, f	(mm)	
	A Vloeistofpijp	B Gaspijp
☐ Modelnummer	$\varnothing 6,35$	$\varnothing 12,7$
15, 20, 25, 32, 40, 50	$\varnothing 9,52$	$\varnothing 15,88$

☐ Model aftakingsset
CMY-Y62-G-E

☐ 4-Aftakingsstuk	☐ 8-Aftakingsstuk
CMY-Y64-G-E	CMY-Y68-G-E

\* Als u de AANSLUITSET (PAC-LV11M-J) en een binnenunit uit de M-serie aansluit, raadpleeg dan de installatiehandleiding van de AANSLUITSET bij het kiezen van de leidingsgrootte en -lengte.

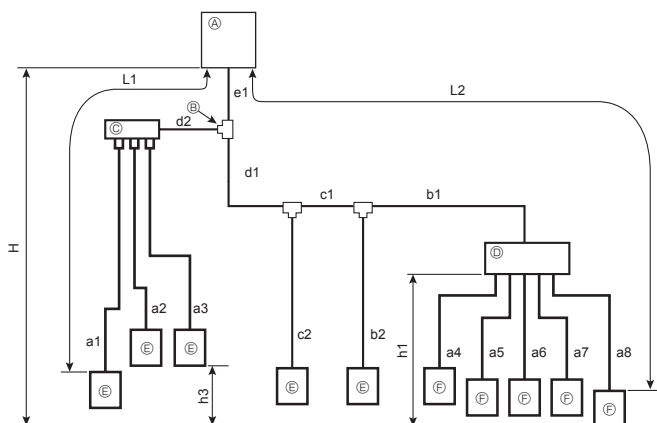
### 4.2.2. Aansluiting met aftakdoos (Fig. 4-2)

- Deze unit is voorzien van opgetrompte aansluitingen op elke binnenunit en aftakdoos en aan de zijden van de buitenunit.
- Verwijder de kap van de kraan van de buitenunit en sluit vervolgens de pijp aan.
- Om de aftakdoos en de buitenunit aan te sluiten worden koelpijpen gebruikt.

## 4. Installeren van de koelstofleidingen

### 4.2.3. Gemengd systeem (City Multi-binnenunits en binnenunits uit M-, S-, P-serie via aftakdoos) (Fig. 4-3)

#### 1. Bij gebruik van aftakdozen met 1 aftakking



- Ⓐ Buitenunit
  - ⓔ Eerste aansluiting
  - Ⓢ Aftakstuk (CMY)
  - Ⓣ Aftakdoos (PAC-MK-BC(B))
  - Ⓤ City Multi-binnenunit\*
  - Ⓦ Binnenunit uit M-, S-, P-serie, cilinderunit of hydrobox-unit
- \* Binnenapparaten van de typen PKFY-P-VBM, PFFY-P-VKM en PFFY-P-VL\* kunnen niet worden gebruikt in een gemengd systeem.

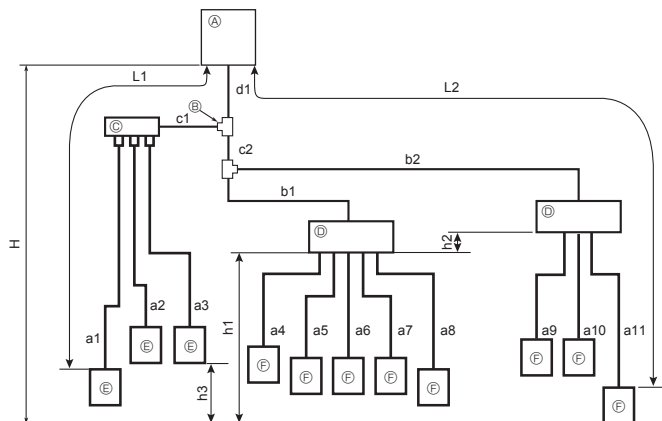
Fig. 4-3 (a)

Toegestane lengte (één richting)	Totale pijplengte	$e1 + d1 + d2 + c1 + c2 + b1 + b2 + a1 + a2 + a3 + a4 + a5 + a6 + a7 + a8 \leq 300 \text{ m} *3$
	Grootste pijplengte (L1)	$e1 + d2 + a1 \text{ of } e1 + d1 + c1 + b2 \leq 85 \text{ m}$
	Grootste pijplengte. Via aftakdoos (L2)	$e1 + d1 + c1 + b1 + a8 \leq 80 \text{ m}$
	Pijplengte tussen buitenunit en aftakdoos	$e1 + d1 + c1 + b1 \leq 55 \text{ m}$
	Grootste pijplengte vanaf eerste aansluiting	$d1 + c1 + b1, d1 + c1 + b2, d1 + c2 \text{ of } d2 + c1 \leq 30 \text{ m}$
	Grootste pijplengte na aftakdoos	$a8 \leq 25 \text{ m}$
Toegestaan hoogteverschil (één richting)	Totale pijplengte tussen aftakdozen en binnenunits	$a4 + a5 + a6 + a7 + a8 \leq 95 \text{ m}$
	In binnen/buiten-gedeelte (H) *2	$H \leq 50 \text{ m}$ (als de buitenunit hoger staat dan de binnenunit) $H \leq 40 \text{ m}$ (als de buitenunit lager staat dan de binnenunit)
	In aftakdoos/binnenunit-gedeelte (h1)	$h1 \leq 15 \text{ m}$
	In elke binnenunit (h3)	$h3 \leq 12 \text{ m}$
Aantal bochten		$ e1 + d2 + a1 ,  e1 + d2 + a2 ,  e1 + d2 + a3 ,  e1 + d1 + c2 ,  e1 + d1 + c1 + b2 ,  e1 + d1 + c1 + b1 + a4 ,  e1 + d1 + c1 + b1 + a5 ,  e1 + d1 + c1 + b1 + a6 ,  e1 + d1 + c1 + b1 + a7 ,  e1 + d1 + c1 + b1 + a8  \leq 15$

\*2: De aftakdoos dient te worden geplaatst op een niveau tussen dat van de buitenunit en de binnenunits.

\*3: Als een cilinderunit of hydrobox-unit is aangesloten, is de maximale pijplengte 150 m.

#### 2. Bij gebruik van aftakdozen met 2 aftakkingen



- Ⓐ Buitenunit
  - ⓔ Eerste aansluiting
  - Ⓢ Aftakstuk (CMY)
  - Ⓣ Aftakdoos (PAC-MK-BC(B))
  - Ⓤ City Multi-binnenunit\*
  - Ⓦ Binnenunit uit M-, S-, P-serie, cilinderunit of hydrobox-unit
- \* Binnenapparaten van de typen PKFY-P-VBM, PFFY-P-VKM en PFFY-P-VL\* kunnen niet worden gebruikt in een gemengd systeem.

Fig. 4-3 (b)

Toegestane lengte (één richting)	Totale pijplengte	$d1 + c1 + c2 + b1 + b2 + a1 + a2 + a3 + a4 + a5 + a6 + a7 + a8 + a9 + a10 + a11 \leq 240 \text{ m} *3$
	Grootste pijplengte (L1)	$d1 + c1 + a1 \leq 85 \text{ m}$
	Grootste pijplengte. Via aftakdoos (L2)	$d1 + c2 + b2 + a11 \leq 80 \text{ m}$
	Pijplengte tussen buitenunit en aftakdozen	$d1 + c2 + b1 + b2 \leq 55 \text{ m}$
	Grootste pijplengte vanaf eerste aansluiting	$c2 + b2 \text{ of } c1 + a1 \leq 30 \text{ m}$
	Grootste pijplengte na aftakdoos	$a11 \leq 25 \text{ m}$
	Aftakdoos verst verwijderd van buitenunit	$d1 + c2 + b2 \leq 55 \text{ m}$
Toegestaan hoogteverschil (één richting)	Totale pijplengte tussen aftakdozen en binnenunits	$a4 + a5 + a6 + a7 + a8 + a9 + a10 + a11 \leq 95 \text{ m}$
	In binnen/buiten-gedeelte (H) *2	$H \leq 50 \text{ m}$ (als de buitenunit hoger staat dan de binnenunit) $H \leq 40 \text{ m}$ (als de buitenunit lager staat dan de binnenunit)
	In aftakdoos/binnenunit-gedeelte (h1+h2)	$h1 + h2 \leq 15 \text{ m}$
	In elke aftakunit (h1)	$h2 \leq 15 \text{ m}$
Aantal bochten	In elke binnenunit (h3)	$h3 \leq 12 \text{ m}$
		$ d1 + c1 + a1 ,  d1 + c1 + a2 ,  d1 + c1 + a3 ,  d1 + c2 + b1 + a4 ,  d1 + c2 + b1 + a5 ,  d1 + c2 + b1 + a6 ,  d1 + c2 + b1 + a7 ,  d1 + c2 + b1 + a8 ,  d1 + c2 + b2 + a9 ,  d1 + c2 + b2 + a10 ,  d1 + c2 + b2 + a11  \leq 15$

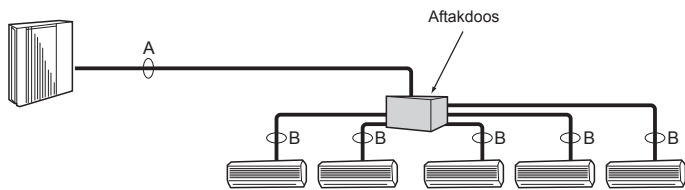
\*2: De aftakdoos dient te worden geplaatst op een niveau tussen dat van de buitenunit en de binnenunits.

\*3: Als een cilinderunit of hydrobox-unit is aangesloten, is de maximale pijplengte 150 m.

## 4. Installeren van de koelstofleidingen

### ■ Indien een aftakdoos wordt gebruikt met 1 aftakking

Toegepaste opgetrompte aansluiting. (Geen solderingen)



### ■ Indien een aftakdoos wordt gebruikt met 2 aftakkingen

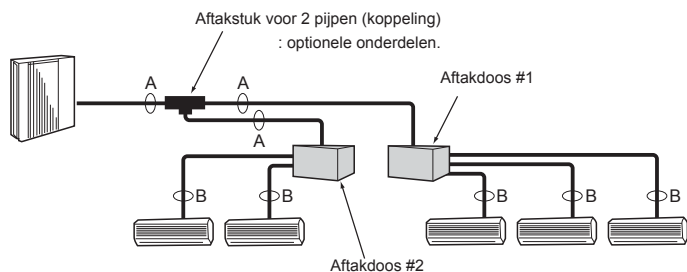


Fig. 4-4

#### (1) Kraandiameters buitenunit

Voor vloeistof	ø9,52 mm
Voor gas	ø15,88 mm

#### (2) Kraandiameters aftakdoos

UNIT	Vloeistofpijp	Gaspijp	Diameter
A UNIT	Vloeistofpijp	Gaspijp	ø6,35 mm / ø9,52 mm
	Vloeistofpijp	Gaspijp	ø6,35 mm / ø9,52 mm
B UNIT	Vloeistofpijp	Gaspijp	ø6,35 mm / ø9,52 mm
	Vloeistofpijp	Gaspijp	ø6,35 mm / ø9,52 mm
C UNIT	Vloeistofpijp	Gaspijp	ø6,35 mm / ø9,52 mm
	Vloeistofpijp	Gaspijp	ø6,35 mm / ø9,52 mm
D UNIT	Vloeistofpijp	Gaspijp	ø6,35 mm / ø9,52 mm
	Vloeistofpijp	Gaspijp	ø6,35 mm / ø12,7 mm

\* Type voor 3 aftakkingen: alleen units A, B, C

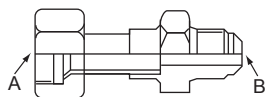


Fig. 4-5

#### Omrekenformule

1/4 F	ø6,35
3/8 F	ø9,52
1/2 F	ø12,7
5/8 F	ø15,88
3/4 F	ø19,05



Fig. 4-6

## 4.3. Pijpdiameter selecteren

### 4.3.1. Aansluiting zonder aftakdoos

		Binnenapparaat		Buitenapparaat
		15-50	63-140	112-140
Gaszijde	Afmeting leiding (mm)	ø12,7	ø15,88	ø15,88
Vloeistofzijde	Afmeting leiding (mm)	ø6,35	ø9,52	ø9,52

### 4.3.2. Aansluiting met aftakdoos (Fig. 4-4)

	A	B
Vloeistof (mm)	ø9,52	De diameter van de pijp aansluiting verschilt afhankelijk van het type en de capaciteit van de binnenunits. Pas de diameter van de pijp aansluiting van de aftakdoos aan op die van de binnenunit.
Gas (mm)	ø15,88	Indien de diameter van de pijp aansluiting van de aftakdoos niet overeenkomt met de diameter van de binnenunit-aansluiting, gebruikt u aan de zijde van de aftakdoos optionele verbindingen met andere diameters (vervormd). (Sluit de vervormde verbinding rechtstreeks aan de zijde van de aftakdoos aan.)

### Verbinding voor afwijkende diameters (optionele onderdelen) (Fig. 4-5)

Modelnaam	Diameter aangesloten pijpen	Diameter A	Diameter B
	mm	mm	mm
MAC-A454JP	ø9,52 → ø12,7	ø9,52	ø12,7
MAC-A455JP	ø12,7 → ø9,52	ø12,7	ø9,52
MAC-A456JP	ø12,7 → ø15,88	ø12,7	ø15,88
PAC-493PI	ø6,35 → ø9,52	ø6,35	ø9,52
PAC-SG76RJ-E	ø9,52 → ø15,88	ø9,52	ø15,88

### Verbinding voor afwijkende diameters (optionele onderdelen) (Fig. 4-6)

Modelnaam	Diameter aangesloten pijpen	Buitendiameter A	Binnendiameter B
	mm	mm	mm
PAC-SG78RJB-E	ø9,52 → ø12,7	ø9,52	ø12,7
PAC-SG79RJB-E	ø12,7 → ø9,52	ø12,7	ø9,52
PAC-SG80RJB-E	ø12,7 → ø15,88	ø12,7	ø15,88
PAC-SG77RJB-E	ø6,35 → ø9,52	ø6,35	ø9,52
PAC-SG76RJB-E	ø9,52 → ø15,88	ø9,52	ø15,88

### Vorbereiding voor het aansluiten van pijpen

① Onderstaande tabel bevat de specificaties van in de handel verkrijgbare pijpen.

Buitendiameter	Isolatie dikte	Isolatiemateriaal
mm	mm	
6,35	8	Hittebestendig schuim plastic soortelijk gewicht 0,045
9,52	8	
12,7	8	
15,88	8	

- ② Zorg ervoor dat de 2 koelpijpen zijn geïsoleerd om condensatie te voorkomen.
- ③ De radius van bochten in koelpijpen dient minimaal 100 mm te bedragen.

### ⚠ Voorzichtig:

Let erop dat u isolatie van de opgegeven dikte gebruikt. Te dikke isolatie kan incorrecte installatie van de binnenunit en de aftakdoos tot gevolg hebben; bij onvoldoende dikte kunnen druppels ontstaan door condensvorming.

**Aftakstuk voor 2 pijpen (verbinding):** Optionele onderdelen (Naar eigen voorkeur, afhankelijk van de aansluitmethode.)

Modelnaam	Aansluitmethode
MSDD-50AR-E	opgetrompte aansluiting
MSDD-50BR-E	solderen

### ■ Installatieprocedure (pijp met 2 aftakkingen (verbinding))

Zie de installatiehandleidingen van MSDD-50AR-E en MSDD-50BR-E.

### ■ Pijpdiameter (buitenunit-aftakdoos)

	A Vloeistofpijp	B Gaspijp
PUMY-P112-140	ø9,52	ø15,88

### ■ Pijpdiameter (aftakdoos-binnenunit) Bij binnenunits van de M-serie of de S-serie \*1

Binnenunit-serie	Modelnummer	A Vloeistofpijp	B Gaspijp
M-serie of S-serie	15~42	ø6,35	ø9,52
	50	ø6,35	ø12,7
	60	ø6,35	ø15,88
	71~80	ø9,52	ø15,88
P-serie	35, 50 *2	ø6,35	ø12,7
	60~100	ø9,52	ø15,88
Cilinderunit	-	ø9,52	ø15,88
Hydrobox-unit	-	ø9,52	ø15,88

\*1 De opstelling van een aan te sluiten binnenunit verschilt per district/regio/land.

\*2 Bij de binnenunits-typen 35, 50 van de P-serie gebruikt u de optrompvoer die bij de binnenunit is meegeleverd.

Gebruik niet de optrompvoer van de binnenunit accessoire. Als u deze wel zou gebruiken kan een gaslek of zelfs het losraken van een pijp het gevolg zijn.

## 4. Installeren van de koelstofleidingen

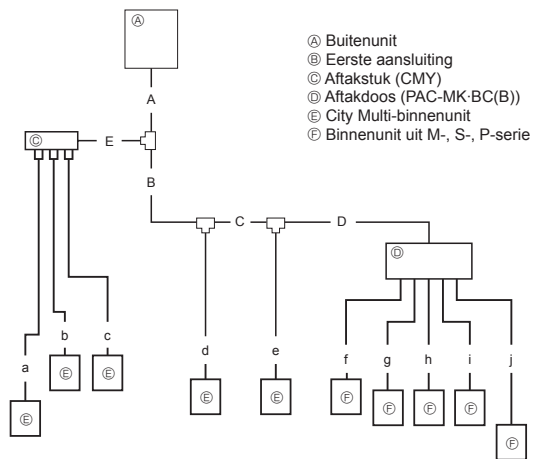


Fig. 4-7

### 4.3.3. Gemengd systeem (City Multi-binnenunits en binnenunits uit M-, S-, P-serie via aftakdoos) (Fig. 4-7)

#### Leidinggrootte

A, B, C, D, E

	A Vloeistofpijp	B Gaspijp
PUMY-P112-140	ø9,52	ø15,88

a, b, c~j

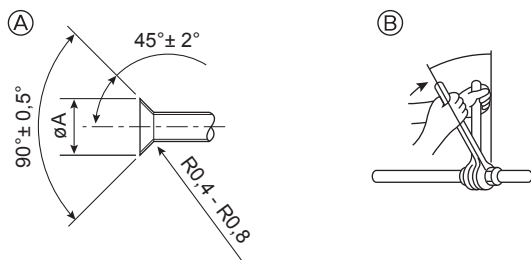
Binnenunit-serie	Modelnummer	A Vloeistofpijp	B Gaspijp
City Multi	15~50	ø6,35	ø12,7
	63~140	ø9,52	ø15,88
M-serie of S-serie	15~42	ø6,35	ø9,52
	50	ø6,35	ø12,7
	60	ø6,35	ø15,88
	71~80	ø9,52	ø15,88
P-serie	35, 50 *1	ø6,35	ø12,7
	60~100	ø9,52	ø15,88
Cilinderunit Hydrobox-unit	-	ø9,52	ø15,88

Verbinding met 2 aftakkingen	CMY-Y62-G-E
4-aftakstuk	CMY-Y64-G-E
8-aftakstuk	CMY-Y68-G-E

\*1 Bij de binnenunits-typen 35, 50 van de P-serie gebruikt u de optrompvoer die bij de binnenunit is meegeleverd.

Gebruik niet de optrompvoer van de binnenunit accesoire. Als u deze wel zou gebruiken kan een gaslek of zelfs het losraken van een pijp het gevolg zijn.

## 4. Installeren van de koelstofleidingen



- A) Afsnijmen tromp  
B) Aanhaalmoment flensmoer

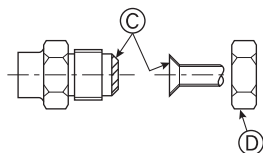


Fig. 4-8

A) (Fig. 4-8)

Buitendiameter koperen pijp (mm)	Afmetingen tromp $\varnothing A$ (mm)
$\varnothing 6,35$	8,7 - 9,1
$\varnothing 9,52$	12,8 - 13,2
$\varnothing 12,7$	16,2 - 16,6
$\varnothing 15,88$	19,3 - 19,7

B) (Fig. 4-8)

Buitendiameter koperen pijp (mm)	Buitendiameter flensmoer (mm)	Aanhaalmoment (N·m)
$\varnothing 6,35$	17	14 - 18
$\varnothing 6,35$	22	34 - 42
$\varnothing 9,52$	22	34 - 42
$\varnothing 12,7$	26	49 - 61
$\varnothing 12,7$	29	68 - 82
$\varnothing 15,88$	29	68 - 82
$\varnothing 15,88$	36	100 - 120

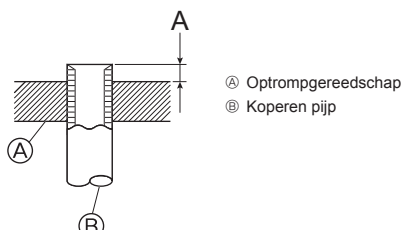
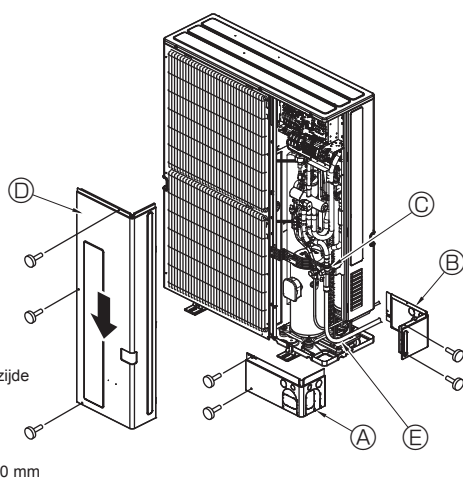


Fig. 4-9



- A) Pijpbedekking aan voorzijde  
B) Pijpbedekking  
C) Afsluitkraan  
D) Onderhoudspaneel  
E) Buigstraal: 100 mm - 150 mm

Fig. 4-10

### 4.4. Aansluiten van de pijpen (Fig. 4-8)

- Voer de juiste anticondens- en isolatiewerkzaamheden uit om te voorkomen dat water uit de koelleidingen druppelt. (Vloeistofleiding/gasleiding)
- Plaats daar waar de koelleidingen geïnstalleerd zijn afhankelijk van de omgeving meer isolatiemateriaal, omdat er anders condenswater op het oppervlak van het isolatiemateriaal kan achterblijven. (Isolatiemateriaal Hittebestendige temperatuur: 120°C, Dikte: 15 mm of meer)
- Als u koelleidingen gebruikt op locaties met hoge temperaturen en luchtvochtigheid, zoals zolders, moet u wellicht meer isolatiemateriaal plaatsen.
- Voor het isoleren van de koelleidingen brengt u hittebestendig polyethyleenschuim aan tussen de binneneenheid en het isolatiemateriaal en op het net tussen het isolatiemateriaal waarmee alle gaten worden gevuld. (Condensvorming op de leidingen kan leiden tot condensatie in de ruimte of brandwonden bij contact met de leidingen.)
- De delen van de afvoerpijp die binnenshuis lopen, moeten worden bekleed met isolatiemateriaal van polyethyleenschuim (relatieve dichtheid 0,03, dikte 9 mm of meer).
- Doe een dun laagje koelmachineolie op de leiding en het aansluitingsoppervlak voordat u de "flare"-moer vastdraait. A
- Draai met gebruik van twee pijptangen de aansluitende leidingen vast. B
- Gebruik, nadat alle aansluitingen gemaakt zijn, een lekkagedetector of zeepsop om te controleren of er gaslekken zijn.
- Breng koelolie aan op de aansluitingsoppervlakken. C
- Gebruik de flensmoeren voor de volgende pijpfmetingen. D
- Let er bij het buigen van de pijpen op dat u deze niet breekt. Een buigstraal van 100 mm tot 150 mm is voldoende.
- Let erop dat de pijpen de compressor niet raken. Hierdoor kunnen ongewone geluiden of trillingen ontstaan.

① Begin met het aansluiten van de pijpen bij het binnenapparaat.

Trek de flensmoeren aan met een momentsleutel.

② Tromp de vloeistof- en gaspijpen op en breng een dun laagje koelolie aan op de aansluitingsoppervlakken.

Als een gewoon pijpfichtmiddel wordt gebruikt, zie dan Tabel 3 voor het optrompen van R410A-koelstofpijpen.

Gebruik de maatafstemmingsmeter om de afmetingen A te controleren.

#### ⚠ Waarschuwing:

Als u het apparaat installeert, zet de koelmiddelleidingen dan stevig vast voordat u de compressor start.

\* Raadpleeg de installatiehandleiding van de AANSLUITSET voor het aansluiten van de AANSLUITSET (PAC-LV11M-J).

Tabel 3 (Fig. 4-9)

Buitendiameter koperen pijp (mm)	A (mm)	
	Trompgereedschap voor R410A	Trompgereedschap voor R22-R407C
	Type koppeling	
$\varnothing 6,35$	0 - 0,5	1,0 - 1,5
$\varnothing 9,52$	0 - 0,5	1,0 - 1,5
$\varnothing 12,7$	0 - 0,5	1,0 - 1,5
$\varnothing 15,88$	0 - 0,5	1,0 - 1,5
$\varnothing 19,05$	0 - 0,5	1,0 - 1,5

### 4.5. Koelleidingen (Fig. 4-10)

Verwijder het onderhoudspaneel (drie schroeven) en de pijpafdekkingen aan de voorzijde (twee schroeven) en de achterzijde (twee schroeven).

① Maak de verbindingen van de koelstofleidingen voor het binnen-/buitenapparaat als het afsluitkraan van het buitenapparaat geheel gesloten is.

② Ontlucht de binneneenheid en de verbindingen.

③ Controleer na het aansluiten van de koelstofpijpen de pijpen en het binnenapparaat op gaslekage. (Zie 4.6. 'Luchtdichtheid van de koelstofpijpen testen'.)

④ Maak de koelmiddelleidingen vacuüm via de service-aansluiting van de vloeistof- en gasafsluitkleppen. Open dan de afsluitkleppen helemaal (zowel de vloeistof- als gasafsluitkleppen). Hierdoor zullen de koelstofpijpen van het binnen- en buitenapparaat volledig met elkaar worden verbonden.

Als het apparaat wordt ingeschakeld terwijl de afsluitkranen nog gesloten zijn, zullen de compressor en de regelkraan beschadigd raken.

Gebruik een lekdetector of zeepsop om de pijpverbindingen van het buitenapparaat te controleren.

Gebruik niet de koelstof uit het apparaat voor het verwijderen van lucht uit de koelstofleidingen.

Trek na voltooiing van de procedure de kraandoppen aan tot het juiste aanhaalmoment: 20 tot 25 N·m (200 tot 250 kgf·cm).

Als de doppen niet worden teruggeplaatst en aangetrokken, kan koelstoflekage optreden. Let erop dat de binnenzijde van de kraandoppen niet wordt beschadigd, aangezien deze werken als een afdichting die koelstoflekage voorkomt.

⑤ Dicht de uiteinden van het isolatiemateriaal bij de pijpverbindingen af met afdichtmiddel om te voorkomen dat er water onder het isolatiemateriaal doordringt.

## 4. Installeren van de koelstofleidingen

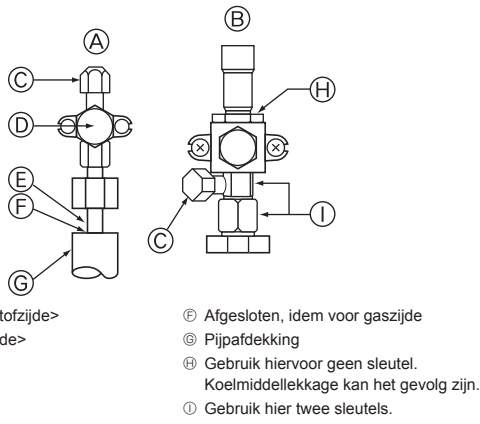


Fig. 4-11

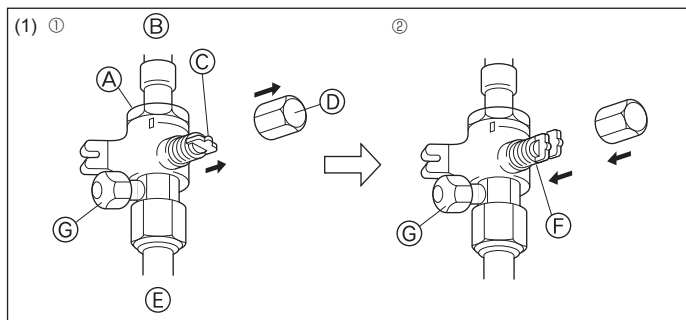


Fig. 4-12

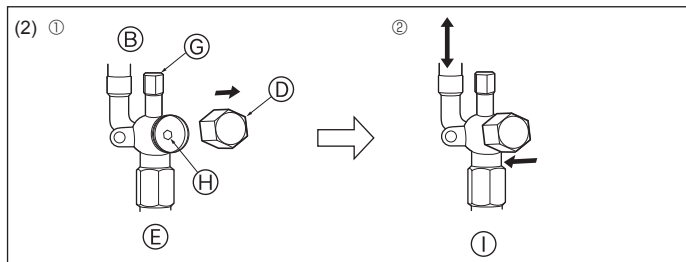


Fig. 4-13

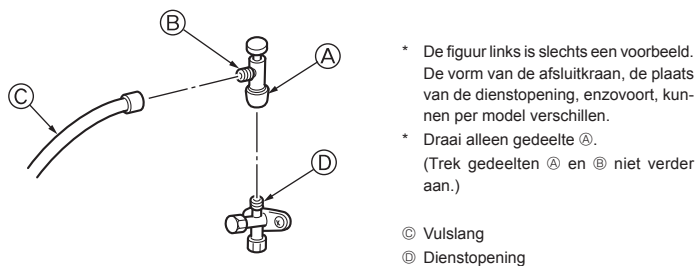


Fig. 4-14

### 4.6. Luchtdichtheid van de koelstofpijpen testen

(1) Sluit het testgereedschap aan.

- Controleer of de afsluitkranen (A) en (B) zijn gesloten en open deze niet.
- Verhoog de druk in de koelmiddelleidingen via de service-aansluiting (C) van de vloeistofafsluitklep (A) en de gasafsluitklep (B).

(2) Voer de druk niet meteen op tot de opgegeven waarde, maar verhoog deze beetje bij beetje.

- ① Voer de druk op tot 0,5 MPa (5 kgf/cm<sup>2</sup>G), wacht vijf minuten en controleer vervolgens of de druk niet terugloopt.
- ② Voer de druk op tot 1,5 MPa (15 kgf/cm<sup>2</sup>G), wacht vijf minuten en controleer vervolgens of de druk niet terugloopt.
- ③ Voer de druk op tot 4,15 MPa (41,5 kgf/cm<sup>2</sup>G) en meet de omgevingstemperatuur en koelstofdruk.

(3) Als de gespecificeerde druk ongeveer een dag lang aanwezig blijft en niet terugloopt, zijn de pijpen in orde en zijn er geen lekkages.

- Als de omgevingstemperatuur verandert met 1°C zal de druk veranderen met ongeveer 0,01 MPa (0,1 kgf/cm<sup>2</sup>G). Voer de nodige aanpassingen uit.

(4) Als de druk in stap (2) of (3) terugloopt, is er een gaslek. Zoek het lek.

### 4.7. Wijze van openen van de afsluitkraan

(1) Gaszijde (Fig. 4-12)

- ① Verwijder de dop, trek het handvat naar u toe en draai dit een kwartslag tegen de klok in om de kraan te openen.
- ② Let erop dat de afsluitkraan geheel open is, druk de hendel in en draai de kap terug naar de oorspronkelijke stand.

(2) Vloeistofzijde (Fig. 4-13)

- ① Verwijder de kap en draai de kraanstang zo ver mogelijk tegen de klok in met behulp van een 4mm-inbussleutel. Stop met draaien wanneer de nok wordt bereikt. (ø6,35: Circa 4,5 giri) (ø9,52: Circa 10 giri)
- ② Let erop dat de afsluitkraan geheel open is, druk de hendel in en draai de kap terug naar de oorspronkelijke stand.

- |                                     |                             |
|-------------------------------------|-----------------------------|
| A Kraan                             | F Open-positie-zijde        |
| B Zijde van het apparaat            | G Serviceaansluiting        |
| C Handgreep                         | H Sleutelgat                |
| D Kap                               | I Stroomrichting koelmiddel |
| E Zijde van de plaatselijke leiding |                             |

Isolerende bekleding voor de koelstofleidingen

- De pijpen kunnen zowel voor als na het aansluiten worden bekleed met isolatiemateriaal met een dikte van maximaal ø90. Snij het isolatiemateriaal langs de groef open en breng het op de pijpen aan.

Inlaatopening voor de leidingen

- Dicht de inlaatopeningen rond de pijpen grondig af met afdichtmiddel of kit. (Als de openingen niet worden gedicht, kan er geluid door hoorbaar zijn of kunnen water en stof het apparaat binnendringen en storingen veroorzaken.)

### Voorzorgsmaatregelen voor het gebruik van de vulkraan (Fig. 4-14)

Trek de dienstopening niet overmatig aan tijdens het installeren. Hierdoor kan de binnenkant van de kraan vervormen en los gaan zitten, wat kan leiden tot een gaslek. Draai nadat u gedeelte (B) in de gewenste richting hebt geplaatst alleen gedeelte (A) en trek dit gedeelte aan.

Trek gedeelten (A) en (B) niet verder aan, nadat u gedeelte (A) hebt vastgedraaid.

## 4. Installeren van de koelstofleidingen

### 4.8. Extra vulling met koelvloeistof

#### Extra vulling met koelvloeistof

Er wordt geen koelmiddel voor de langere leidingen in de buitenunit meegeleverd als de buitenunit rechtstreeks uit de fabriek aangeleverd wordt. Daarom moet in elk koelleidingsysteem op de installatielocatie worden bijgevuld met extra koelmiddel. Daarnaast moeten voor onderhoudswerkzaamheden de grootte en lengte van elke koelleiding en de extra bij te vullen hoeveelheid koelmiddel worden ingevuld in de daarvoor bestemde ruimtes op het plaatje voor de hoeveelheid koelmiddel op de buitenunit.

#### Berekening van aanvullende hoeveelheid koelstof

- Bereken de extra hoeveelheid bij te vullen koelmiddel met behulp van de grootte en lengte van de extra lange vloeistofleidingen.
- Gebruik in de berekening 11,2 kW als vermogen van de cilinder of de hydrobox-unit.
- Bereken de extra hoeveelheid bij te vullen koelmiddel met behulp van de rechts beschreven procedure en vul de extra hoeveelheid koelmiddel bij.
- Als minder dan 0,1 kg moet worden bijgevuld, rondt u de berekende hoeveelheid bij te vullen koelmiddel naar boven af.  
(Voorbeeld: als de berekende hoeveelheid bij te vullen koelmiddel 6,01 kg is, rondt u de hoeveelheid af naar 6,1 kg.)

<Extra vulling>

#### Berekenen van hoeveelheid koelvloeistof

Leidinggrootte Vloeistofleiding	Leidinggrootte Vloeistofleiding	Totale capaciteit aangesloten binneneenheden	Aantal binneneenheden
ø6,35	ø9,52	~ 8,0 kW	1,5 kg
(m) × 19,0 (g/m)	(m) × 50,0 (g/m)	8,1 ~ 16,0 kW	2,5 kg
		16,1 kW ~	3,0 kg

#### Meegeleverde hoeveelheid koelmiddel bij verlaten van fabriek

Meegeleverde hoeveelheid koelmiddel
4,8 kg

<Voorbeeld>

Model buitenapparaat : P125	A : ø9,52 30 m	} Bij onderstaande voorwaarden:
Binnenapparaat 1 : P63 (7,1 kW)	a : ø9,52 15 m	
2 : P40 (4,5 kW)	b : ø6,35 10 m	
3 : P25 (2,8 kW)	c : ø6,35 10 m	
4 : P20 (2,2 kW)	d : ø6,35 20 m	

De totale lengte van elke vloeistofleiding is als volgt:

$$\text{ø}9,52: A + a = 30 + 15 = 45 \text{ m}$$

$$\text{ø}6,35: b + c + d = 10 + 10 + 20 = 40 \text{ m}$$

Het totale aantal aangesloten binneneenheden wordt als volgt berekend:

$$7,1 + 4,5 + 2,8 + 2,2 = 16,6$$

<Berekeningsvoorbeeld>

Extra koelstofvulling

$$40 \times \frac{19,0}{1000} + 45 \times \frac{50,0}{1000} + 3,0 = 6,1 \text{ kg (naar boven afgerond)}$$

## 5. Installatie van Draineerbuizen

#### Aansluiting van de draineerleidingen van het buitenapparaat

Wanneer een afvoerleiding benodigd is, moet u een aftapbus of een afvoervat (optioneel) gebruiken.

	P112-140
Aftapbus	PAC-SG61DS-E
Afvoervat	PAC-SH97DP-E

## 6. Elektrische aansluitingen

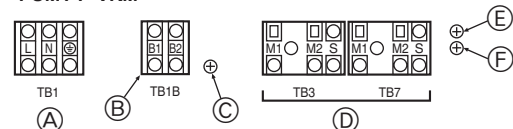
### 6.1. Voorzichtig

- Volg de voorschriften van uw overheidsorgaan voor technische standaards met betrekking tot elektrische apparaten, bedradingsvoorschriften en aanwijzingen van elk elektriciteitsbedrijf.
- Bedrading voor de bediening (die vanaf nu transmissieleiding genoemd wordt) moet apart (5 cm of meer) van de voedingskabel worden aangelegd zodat deze niet wordt beïnvloed door elektrische ruis van de voedingskabel. (Plaats de transmissieleiding en de voedingskabel niet in dezelfde elektriciteitsbuis.)
- Zorg voor de voorgeschreven aarding voor het buitenapparaat.
- Geef wat ruimte rond de bedrading van de doos met elektrische onderdelen van de binnen- en buitenapparaten, want deze doos moet soms verwijderd worden bij onderhoudswerkzaamheden.
- Verbind de voedingskabel nooit met het aansluitbed van de transmissieleiding. Wanneer u dit doet, branden de elektrische onderdelen door.
- Gebruik tweedelige afschermkabels voor de transmissieleiding. Wanneer transmissieleidingen van verschillende systemen verbonden worden met dezelfde meeraderige kabel, veroorzaakt de daaruit voortvloeiende slechte verzending en ontvangst foutieve werking.
- Alleen de gespecificeerde transmissieleiding moet aangesloten worden aan het aansluitblok voor transmissie van het buitenapparaat.  
(Transmissieleiding om aangesloten te worden op een binnenapparaat: Aansluitblok TB3 voor een transmissieleiding. Anders: Aansluitblok TB7 voor centrale bediening)  
Bij foutieve aansluiting zal het systeem niet werken.
- Wanneer een aansluiting moet worden gemaakt met de hoofdbedieningseenheid of apparaten van verschillende koelsystemen in groepsverband moeten werken, moet een transmissieleiding voor bediening gelegd worden tussen de buitenapparaten.  
Sluit deze bedieningsleiding aan tussen de aansluitblokken voor centrale bediening. (2-dradige leiding zonder polariteit)  
Wanneer apparaten van verschillende koelsystemen samenwerken zonder de aansluiting op de hoofdbedieningseenheid, dient u de invoegklem van de kortsluitverbindingklem van CN41 van één buitenapparaat naar CN40 te verplaatsen.
- De groep wordt ingesteld met behulp van de afstandsbedieningseenheid.
- Als u de AANSLUITSET (PAC-LV11M-J) en een binneneenheid uit de M-serie aansluit, raadpleegt u de installatiehandleiding van de AANSLUITSET.
- Let er bij het aansluiten via een aftakdoos op dat u eerst de binneneenheden en de aftakdoos inschakelt, voordat u de buitenunit inschakelt.

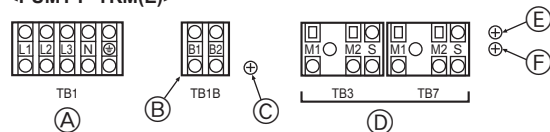


## 6. Elektrische aansluitingen

<PUMY-P-VKM>



<PUMY-P-YKM(E)>



- Ⓐ Netvoeding
- Ⓑ Voedingsspanning voor aftakdoos
- Ⓒ Schroef op schakelkast
- Ⓓ Transmissieleiding
- Ⓔ Aarde voor aansluitblok (TB3)
- Ⓕ Schroef op de elektrokast

Fig. 6-1

## 6.2. Bedieningsdoos en aansluitpositie van bedrading (Fig. 6-1)

- Sluit de transmissieleiding voor binnenapparaten aan op het aansluitblok voor de transmissielijn (TB3) of sluit de bedrading tussen buitenapparaten of de bedrading met het centrale besturingssysteem aan op het aansluitblok voor centrale besturing (TB7). Wanneer afgeschermde bedrading wordt gebruikt, sluit dan de afscherming van de transmissieleiding van het binnenapparaat aan op de schroef (Ⓔ), en sluit de afscherming van de leiding tussen de buitenapparaten en de transmissieleiding van het centrale besturingssysteem aan op de afschermingsaansluitklem (S) van het aansluitblok van het centrale besturingssysteem (TB7). Daarnaast dient, in het geval van een buitenapparaat waarbij de aansluitklem voor de netspanning CN41 is vervangen door CN40, de aansluitklem (S) voor de afscherming van aansluitblok (TB7) van het centrale besturingssysteem ook te worden aangesloten op de schroef (Ⓔ) met de bijgesloten aardendraad.
- Het aansluitblok (TB1B) wordt gebruikt voor het voeden van de aftakdoos (220 ~ 240 V AC, max. 6 A).
- Sluit het netsnoer aan op de bedieningsdoos m.b.v. een kabeldoorvoer die spankrachten kan opvangen (een PG-aansluiting of iets dergelijks).

⚠ **Voorzichtig:**

**Sluit de transmissieleiding van de binneneenheid of de centrale besturing nooit aan op dit aansluitblok (TB1B). Als de signaaldraden aangesloten zijn, kan het aansluitblok van de binneneenheid of de centrale besturing beschadigd raken.**

## 6.3. Bedrading transmissiekabels

### ① Typen bedieningskabels

- Bedrading transmissiekabels
  - Typen transmissiekabels: Afschermdraad CVVS, CPEVS of MVVS
  - Kabeldoorsnede: Meer dan 1,25 mm<sup>2</sup>
  - Maximaal toegestane kabellengte: Minder dan 200 m

### 2. M-NET-Afstandsbedieningskabels

Typen afstandsbedieningskabel	Afschermdraad CVVS, CPEVS of MVVS
Kabeldoorsnede	0,5 tot 1,25 mm <sup>2</sup>
Opmerkingen	Als meer dan 10 m kabel nodig is, gebruik dan kabels met dezelfde specificaties als de bedrading voor transmissieleidingen.

### 3. MA-Afstandsbedieningskabels

Typen afstandsbedieningskabel	2-aderige omhulde kabel (zonder afscherming) CVV
Kabeldoorsnede	0,3 tot 1,25 mm <sup>2</sup> (0,75 tot 1,25 mm <sup>2</sup> )*
Opmerkingen	Minder dan 200 m

\* Aangesloten met eenvoudige afstandsbediening.

### ② Voorbeelden van bedrading

- Naam bedieningseenheid, aanduiding en toegestane aantal bedieningseenheden.

Naam	Code	Toegestane aantal bedieningseenheden	
Bedieningseenheid buitenapparaat	OC	-	
Bedieningseenheid binnenapparaat	M-IC	PUMY-P112	1 tot en met 9 units per 1 OC *1
		PUMY-P125	1 tot en met 10 units per 1 OC *1
	A-IC	PUMY-P140	1 tot en met 12 units per 1 OC *1
		PUMY-P112	2 tot en met 8 units per 1 OC *1
Aftakdoos	-	PUMY-P125	
		PUMY-P140	
Afstandsbedieningseenheid	RC	M-NET RC *2	Maximaal 12 regelars voor één OC (Aansluiting is niet mogelijk bij gebruik van een aftakdoos.)
		MA-RC	Maximaal 2 per groep

**Opmerking:**

- Het aantal aansluitbare units wordt mogelijk beperkt door omstandigheden zoals de capaciteit van een binneneenheid of het equivalente energieverbruik van elke unit.
- Maak geen gebruik van de Lossnay-afstandsbediening (PZ-61DR-E, PZ-43SMF-E, PZ-52SF-E, PZ-60DR-E).

## Voorbeeld van de groepswerking met meerdere buitenapparaten (afschermdraden en adresinstellingen zijn noodzakelijk)

<Voorbeeld van bedrading transmissiekabels: zonder aftakdoos>

■ Zie Fig. 6-6 vanaf Fig. 6-2.

<Bedradingsmethode en adresinstellingen: zonder aftakdoosysteem>

- Zorg ervoor dat afschermdraden gebruikt worden voor aansluitingen tussen buitenunit (OC) en binneneenheid (M-IC).
- Sluit met voedingsdraad de aansluitklemmen M1 en M2 en de aardklem op transmissiekabelblok (TB3) van elk buitenapparaat (OC) aan op de aansluitklemmen M1, M2 en S op het transmissiekabelblok van het binnenapparaat (M-IC).
- Sluit aansluitklemmen 1 (M1) en 2 (M2) van het transmissiekabelblok van binnenapparaat (M-IC) met het laatste adres in dezelfde groep aan op aansluitblok van de afstandsbedieningseenheid (M-NET RC).
- Sluit de aansluitklemmen M1, M2 en S op het aansluitblok (TB7) van de centrale besturing van het buitenapparaat (OC) op elkaar aan.
- De overbruggingsconnector CN41 van het besturingspaneel verandert niet.
- Sluit de afscherming van de transmissieleiding van het binnenapparaat aan op aansluitklem (S) voor de afscherming van aansluitblok (TB3) en sluit ook aansluitklem (S) aan op de schroef (Ⓔ of Ⓕ) met de bijgesloten aardendraad.
- Sluit de afscherming van de leiding tussen de buitenapparaten en de transmissieleiding van het centrale besturingssysteem aan op afschermingsaansluitklem (S) van aansluitblok (TB7).
- Stel de schakelaar voor de adresinstelling in zoals hieronder wordt getoond.

Apparaat	Bereik	Instellingmethode
M-IC (Hoofd)	01 t/m 50	Stel het laatste adres in in dezelfde groep van binnenapparaten
M-IC (Ondergeschikt)	01 t/m 50	Stel de adressen in van elk apparaat, anders dan de IC (Hoofd), in de groep van binnenapparaten. IC (Hoofd) moet opeenvolgend zijn
Buitenapparaat	51 t/m 100	Meest recente adres van binnenapparaten in hetzelfde koelsysteem + 50 * Het adres krijgt automatisch de waarde 100 als het wordt ingesteld op 01-50.
M-NET R/C (Hoofd)	101 t/m 150	Adres IC (Hoofd) + 100
M-NET R/C (Ondergeschikt)	151 t/m 200	Adres IC (Hoofd) + 150
MA R/C	-	Niet-vereiste adresinstelling (vereiste Hoofd/Subinstelling)

- Stel meerdere buitenapparaten in als een groep vanaf de afstandsbedieningseenheid (M-NET RC) nadat de spanning is ingeschakeld. Zie de installatiehandleiding van de afstandsbedieningseenheid voor meer informatie.
- PWFY-unit aansluiten
  - Voer de groepsinstellingen van de PWFY-unit en de binneneenheden niet uit.
  - De PWFY-unit en een Lossnay-unit kunnen niet zodanig worden ingesteld dat ze tegelijkertijd werken.
  - Gebied een WMA-afstandsbediening voor de PWFY-unit.
 Raadpleeg de installatiehandleiding van de PWFY-unit voor meer informatie.
- Bij het aansluiten van een cilinder of een hydrobox-unit
  - Voer geen groepsinstellingen uit voor de cilinder of de hydrobox-unit en de andere binneneenheden.

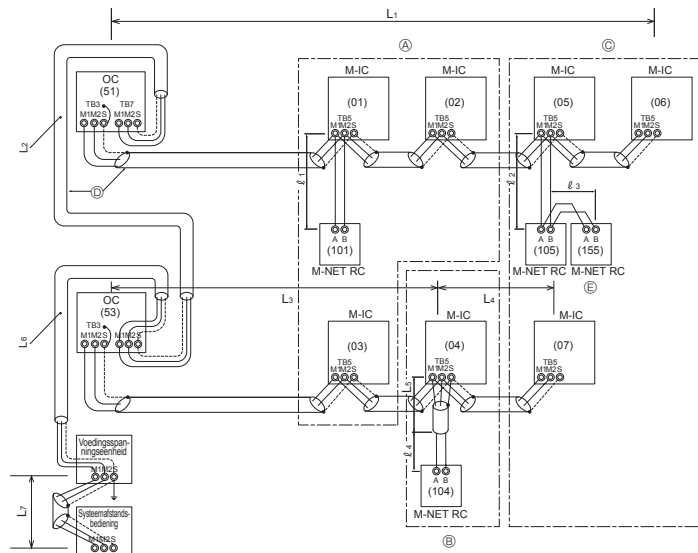
<Bedradingsmethode en adresinstellingen: met aftakdoosysteem>

Raadpleeg de installatiehandleiding van de aftakdoos.

## 6. Elektrische aansluitingen

<Voorbeeld van bedrading transmissiekabel: zonder aftakdoos>

### ■ M-NET-afstandsbediening



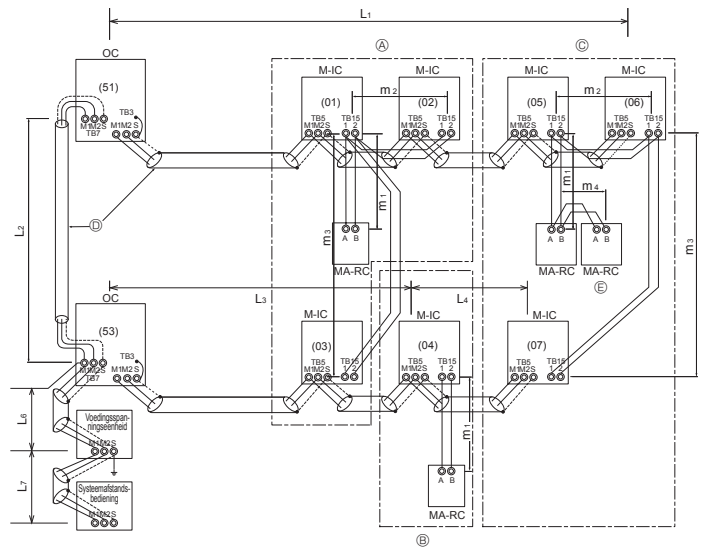
- (A) : Groep 1
- (B) : Groep 2
- (C) : Groep 3
- (D) : Afschermdraad
- (E) : Sub-afstandsbediening
- ( ) : Adres

#### <Toegestane lengte>

- Grootste lengte via buitenunits:  $L_1 + L_2 + L_3 + L_4$  en  $L_1 + L_2 + L_3 + L_5$  en  $L_1 + L_2 + L_6 + L_7 \leq 500$  m (1,25 mm<sup>2</sup> of dikker)
  - Grootste lengte transmissiekabel:  $L_1$  en  $L_3 + L_4$  en  $L_3 + L_5$  en  $L_2 + L_6$  en  $L_7 \leq 200$  m (1,25 mm<sup>2</sup> of dikker)
  - Lengte kabel afstandsbedieningseenheid:  $l_1, l_2, l_2 + l_3, l_4 \leq 10$  m (0,5 tot 1,25 mm<sup>2</sup>)
- Als de lengte groter is dan 10 m, gebruik dan afschermbedrading van 1,25 mm<sup>2</sup>. De lengte van dit gedeelte ( $L_5$ ) moet worden meegeteld bij de berekening van de maximale lengte en de totale lengte.

Fig. 6-2

### ■ MA-afstandsbediening

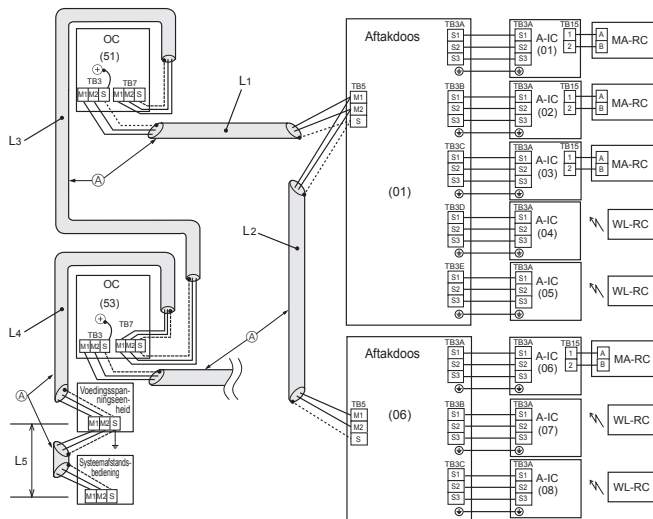


#### <Toegestane lengte>

- Grootste lengte via buitenunits (M-NET-kabel):  $L_1 + L_2 + L_3 + L_4$  en  $L_1 + L_2 + L_6 + L_7 \leq 500$  m (1,25 mm<sup>2</sup> of dikker)
- Grootste lengte transmissiekabel (M-NET-kabel):  $L_1$  en  $L_3 + L_4$  en  $L_2 + L_6$  en  $L_7 \leq 200$  m (1,25 mm<sup>2</sup> of dikker)
- Lengte kabel afstandsbedieningseenheid:  $m_1$  en  $m_1 + m_2 + m_3$  en  $m_1 + m_2 + m_3 + m_4 \leq 200$  m (0,3 tot 1,25 mm<sup>2</sup>)

Fig. 6-3

<Voorbeeld van bedrading transmissiekabel: aansluiting met aftakdoos>



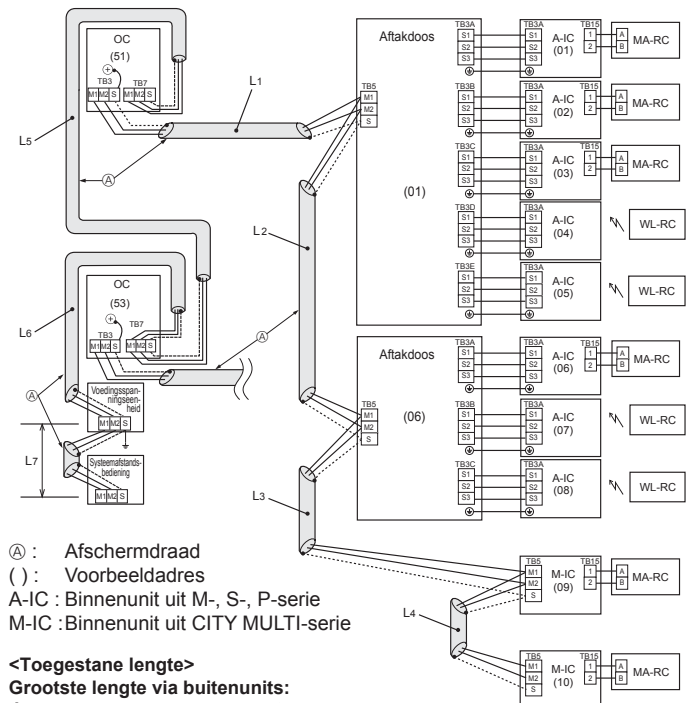
- (A) : Afschermdraad
- ( ) : Voorbeeldadres
- A-IC : Binnenunit uit M-, S-, P-serie

#### <Toegestane lengte>

- Grootste lengte via buitenunits (M-NET-kabel):  $L_1 + L_2 + L_3 + L_4 + L_5 \leq 500$  m (1,25 mm<sup>2</sup> of dikker)
- Grootste lengte transmissiekabel (M-NET-kabel):  $L_1 + L_2, L_3 + L_4, L_5 \leq 200$  m (1,25 mm<sup>2</sup> of dikker)

Fig. 6-4

<Voorbeeld van bedrading transmissiekabel: gemengd systeem>



- (A) : Afschermdraad
- ( ) : Voorbeeldadres
- A-IC : Binnenunit uit M-, S-, P-serie
- M-IC : Binnenunit uit CITY MULTI-serie

#### <Toegestane lengte>

- Grootste lengte via buitenunits:  $L_1 + L_2 + L_3 + L_4 + L_5 + L_6 + L_7 \leq 500$  m (1640 ft.) (1,25 mm<sup>2</sup> of dikker)
- Grootste lengte transmissiekabel:  $L_1 + L_2 + L_3 + L_4, L_5 + L_6, L_7 \leq 200$  m (656 ft.) (1,25 mm<sup>2</sup> of dikker)

Fig. 6-5

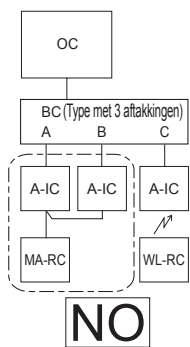
#### Opmerking:

De cilinder- of hydrobox-unit kan niet in dezelfde groep worden geplaatst als een unit van een ander type. Bovendien is het niet mogelijk meerdere buitenunits samen te bedienen als de cilinder- of hydrobox-unit is aangesloten.

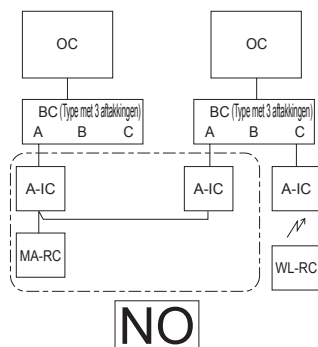
## 6. Elektrische aansluitingen

<Incorrecte systemen>

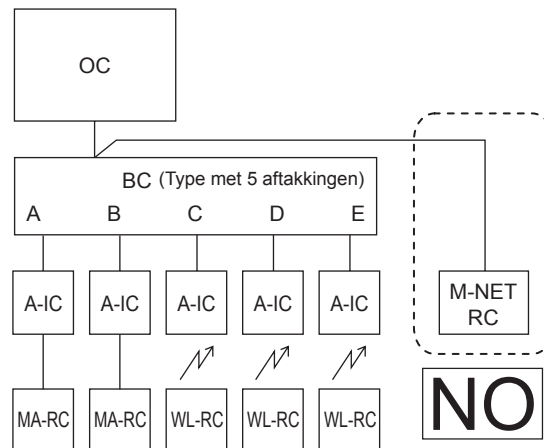
### 1. Groepswerking met één afstandsbediening



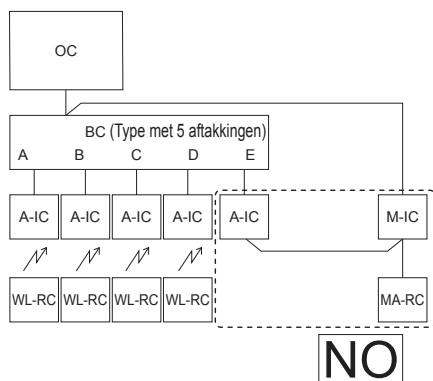
### 2. Groepswerking tussen verschillende koelsystemen



### 3. Aansluiting van M-NET-afstandsbediening



### 4. Groepswerking tussen A-besturingssysteem en M-NET-besturingssysteem.



1. Meerdere binnenunits kunnen niet met één afstandsbediening worden gebruikt.
2. Verschillende koelsystemen kunnen niet op elkaar worden aangesloten.
3. Er kan geen M-NET-afstandsbediening worden aangesloten.
4. Verschillende soorten besturingssystemen (A-IC/M-IC) kunnen niet op elkaar worden aangesloten.

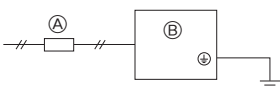
## 6. Elektrische aansluitingen

### 6.4. Bedrading van voeding en capaciteit van apparatuur

Schematisch diagram voor bedrading: zonder aftakdoos (Voorbeeld) (Fig. 6-6)

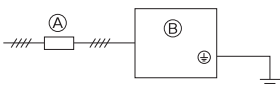
#### ■ PUMY-P-VKM4

~N 220-230-240 V 50 Hz  
~N 220-230 V 60 Hz



#### ■ PUMY-P-YKM(E)4

• YKM4  
3N~380-400-415 V 50 Hz  
3N~380 V 60 Hz  
• YKME4  
3N~380-400-415 V 50 Hz



~N 220-230-240 V 50 Hz  
~N 220-230 V 60 Hz

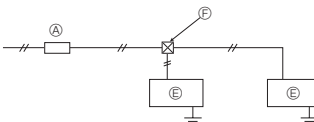


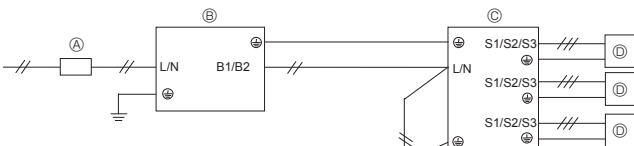
Fig. 6-6

Schematisch diagram voor bedrading: met aftakdoos (Voorbeeld) (Fig. 6-7)

<Bij voeding door buitenapparaat>

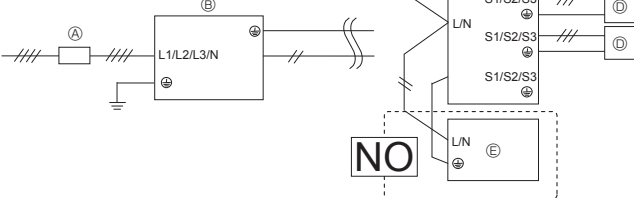
#### ■ PUMY-P-VKM4

~N 220-230-240 V 50 Hz  
~N 220-230 V 60 Hz

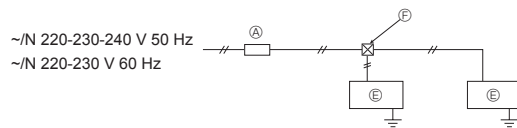


#### ■ PUMY-P-YKM(E)4

• YKM4  
3N~380-400-415 V 50 Hz  
3N~380 V 60 Hz  
• YKME4  
3N~380-400-415 V 50 Hz



~N 220-230-240 V 50 Hz  
~N 220-230 V 60 Hz



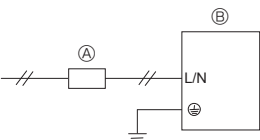
- Ⓐ Draadonderbrekingschakelaar (Aardlekschakelaar)
- Ⓑ Buitenapparaat
- Ⓒ Aftakdoos
- Ⓓ "A-regeling" binnenapparaat (binnenunit uit M-, S-, P-serie)
- Ⓔ M-NET Control-binnenunit (City Multi-binnenunit)
- Ⓕ Trekdoos

\* De M-NET Control-binnenunit kan geen voeding van een buitenunit ontvangen; zorg dus dat deze apart wordt gevoed.

<Bij separate voeding>

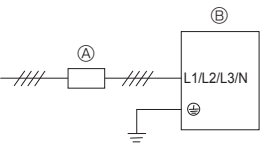
#### ■ PUMY-P-VKM4

~N 220-230-240 V 50 Hz  
~N 220-230 V 60 Hz

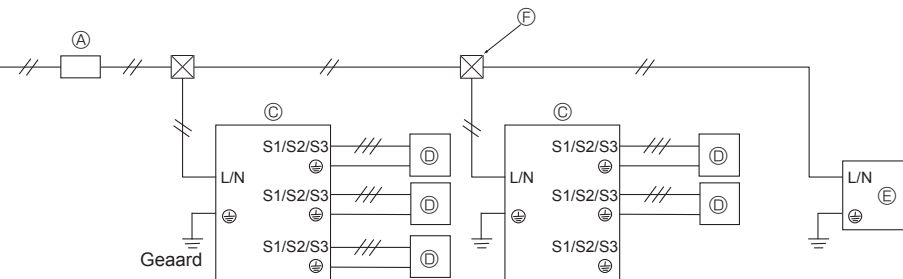


#### ■ PUMY-P-YKM(E)4

• YKM4  
3N~380-400-415 V 50 Hz  
3N~380 V 60 Hz  
• YKME4  
3N~380-400-415 V 50 Hz



~N 220-230-240 V 50 Hz  
~N 220-230 V 60 Hz



Opmerking: Reactordooos (optionele onderdelen)

Wanneer het product voor niet-professionele doeleinden wordt gebruikt, moet mogelijk gebruik worden gemaakt van de reactordooos.

	Methode voor voeden van aftakdoos	
	Buitenunit	Aparte voeding
1-fasevoeding	Onnodig	Nodig
3-fasevoeding	Nodig	Nodig

Fig. 6-7

## 6. Elektrische aansluitingen

### Dwarsdoorsnede van kabel voor hoofdstroomvoorziening en aan/uit-capaciteit

<Bij separate voeding>

Model		Voeding	Dwarsdoorsnede van minimum kabeldikte (mm <sup>2</sup> )			Onderbrekingsschakelaar voor bedrading *1	Aardlekschakelaar
			Hoofdkabel	Aftakking	Aarde		
Buitenapparaat	P112-140VKM4	~N 220-230-240 V 50 Hz ~N 220-230 V 60 Hz	6	–	6	32 A	32 A 30 mA 0,1 s of minder
	P112-140YKM4	3N~380-400-415 V 50 Hz 3N~380 V 60 Hz	1,5	–	1,5	16 A	16 A 30 mA 0,1 s of minder
	P112-140YKME4	3N~380-400-415 V 50 Hz					

<Bij voeding door buitenapparaat>

Model		Voeding	Dwarsdoorsnede van minimum kabeldikte (mm <sup>2</sup> )			Onderbrekingsschakelaar voor bedrading *1	Aardlekschakelaar
			Hoofdkabel	Aftakking	Aarde		
Buitenapparaat	P112-140VKM4	~N 220-230-240 V 50 Hz ~N 220-230 V 60 Hz	6	–	6	40 A	40 A 30 mA 0,1 s of minder
	P112-140YKM4	3N~380-400-415 V 50 Hz 3N~380 V 60 Hz	2,5	–	2,5	20 A	20 A 30 mA 0,1 s of minder
	P112-140YKME4	3N~380-400-415 V 50 Hz					

\*1 Gebruik een netscheider zonder smeltveiligheid (NF) of een aardlekschakelaar (NV) met een contactopening van minimaal 3,0 mm per pool.

<Binnenunits>

Totale stroomsterkte van de binnenunit	Minimale draaddikte (mm <sup>2</sup> )			Aardlekschakelaar *1	Lokale schakelaar (A)		Stroomonderbreker (NFB)
	Hoofdkabel	Aftakking	Aarde		Capaciteit	Zekering	
F0 = 16 A of minder *2	1,5	1,5	1,5	20 A stroomgevoeligheid *3	16	16	20
F0 = 25 A of minder *2	2,5	2,5	2,5	30 A stroomgevoeligheid *3	25	25	30
F0 = 32 A of minder *2	4,0	4,0	4,0	40 A stroomgevoeligheid *3	32	32	40

Volgens IEC61000-3-3 over max. toegelaten systeemimpedantie.

\*1 De aardlekschakelaar moet omvormercircuits ondersteunen.

De aardlekschakelaar moet met een lokale schakelaar of stroomonderbreker worden gecombineerd.

\*2 Gebruik de grootste waarde van F1 of F2 als waarde voor F0.

F1 = Totale maximale stroomsterkte van binnenunits x 1,2

F2 =  $\{V1 \times (\text{aantal van type 1})/C\} + \{V1 \times (\text{aantal van type 2})/C\} + \{V1 \times (\text{aantal van type 3})/C\} + \dots + \{V1 \times (\text{aantal van type 14})/C\}$

Aansluiten op aftakdoos (PAC-MK-BC(B))

Binnenunit		V1	V2
Type 1	PEAD-RP-JA(L)Q, PEAD-M-JA(L), PEY-(S)P-JA	26,9	2,4
Type 2	SEZ-KD-VAQ(L), SEZ-M-DA(L), PCA-RP-KAQ, PCA-M-KA, PLA-ZRP-BA, PLA-RP-EA, SLZ-KF-VA2, SLZ-M-FA, PLY-(S)P-BA, SEZ-KH-VALT, PCY-(S)P-KA	19,8	
Type 3	MLZ-KA-VA, SLZ-KA-VAQ(L)3	9,9	
Type 4	MFZ-KJ-VE2, MSXY-FJ-VE, MSZ-LN-VG, MSZ-AP-VG, MLZ-KP-VF	7,4	
Type 5	MSZ-FH-VE, MSZ-SF-VE, MSZ-EF-VE, MSZ-SF-VA, MSZ-GF-VE, MSZ-GE-VA, MSZ-EF-VA, MSY-GE-VA, MSY-EF-VA, MSZ-FH-VA, MSY-GH-VA, MSZ-FK-VA, MSZ-GC-NA	6,8	
Type 6	Aftakdoos (PAC-MK-BC(B))	5,1	
Type 7	ecodan C-generatie		5,0 *5

\*5 Deze waarde kan hoger zijn vanwege een lokaal aangesloten aandrijving.

Aansluiten op aansluitset (PAC-LV11M-J)

Binnenunit		V1	V2
Type 8	MFZ-KJ-VE2	7,4	2,4
Type 9	MSZ-GE-VA, MSZ-SF-VA, MSZ-SF-VE, MSZ-EF-VE, MSZ-FH-VE, MSY-GE-VA, MSY-GH-VA	6,8	
Type 10	Aansluitset (PAC-LV11M-J)	3,5	

Binnenunit		V1	V2
Type 11	PEFY-VMA(L)-E, PEFY-VMA3-E	38,0	1,6
Type 12	PMFY-VBM-E, PLFY-VEM-E, PLFY-VFM-E1, PEFY-VMS1(L)-E, PCFY-VKM-E, PKFY-VHM-E, PKFY-VKM-E, PFFY-VKM-E2, PFFY-VLRMM-E, PLFY-EP-VEM-E, PMFY-P-VFM-D	19,8	2,4
Type 13	PKFY-VBM-E	3,5	2,4
Type 14	PLFY-VLMD-E, PEFY-VMR-E-L/R, PDFY-VM-E, PEFY-VMH-E, PFFY-VLEM-E, PFFY-VLRM-E, PWFY-VM-E1(2)-AU, PEFY-P-VMH-E-F, GUF-RD(H)4	0,0	0,0

C: Veelvoud van uitschakelstroom bij uitschakeltijd 0,01 sec.

Gebruik "C" van uitschakelkarakteristieken van de onderbreker.

## 6. Elektrische aansluitingen

<Voorbeeld van "F2" berekening>

Voorwaarde PEFY-VMS × 4 + PEFY-VMA × 1, C = 8 (zie de voorbeeldtabel hier rechts)

$$F2 = 19,8 \times 4/8 + 38 \times 1/8$$

$$= 14,65$$

→ 16 A onderbreker (Uitschakelstroom = 8 × 16 A bij 0,01 sec.)

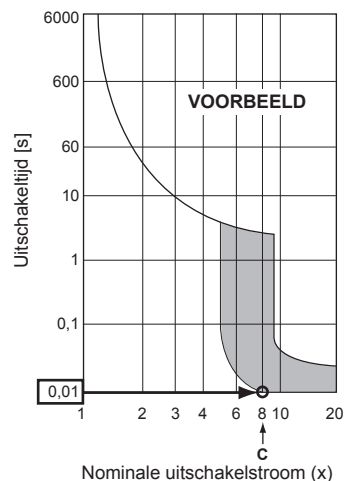
\*3 De stroomgevoeligheid wordt berekend met de volgende formule.

$$G1 = V2 \times (\text{Hoeveelheid van Type 1}) + V2 \times (\text{Hoeveelheid van Type 2}) + V2 \times (\text{Hoeveelheid van Type 3}) + \dots + V2 \times (\text{Hoeveelheid van Type 14}) + V3 \times (\text{Draadlengte [km]})$$

G1	Stroomgevoeligheid
30 of minder	30 mA 0,1 sec. of minder
100 of minder	100 mA 0,1 sec. of minder

Draaddikte	V3
1,5 mm <sup>2</sup>	48
2,5 mm <sup>2</sup>	56
4,0 mm <sup>2</sup>	66

Voorbeeldtabel



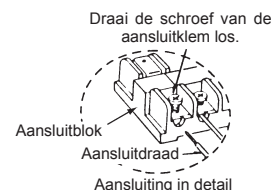
- Houd bij het aanbrengen van bedrading en verbindingen rekening met de plaatselijke omstandigheden (plaatselijke temperatuur, direct zonlicht, regenwater enzovoort).
- De aangegeven draadgrootte is het minimum voor metalen bedrading. Het elektriciteits snoer moet 1 orde dikker zijn in verband met voltageverlies. Zorg ervoor dat het voltage van de stroomvoorziening niet meer dan 10% daalt.
- De bedrading moet voldoen aan de plaatselijke eisen.
- De elektriciteits snoeren voor onderdelen van apparaten die buiten worden gebruikt, mogen niet lichter zijn uitgevoerd dan flexibel snoer met polychloropreen omhulsel (ontwerp 60245 IEC57). U kunt bijvoorbeeld YZW-bedrading gebruiken.
- Breng een aarding aan die langer is dan de andere kabels.

### ⚠ Waarschuwing:

- Zorg ervoor dat de gespecificeerde draden gebruikt worden zodat geen externe kracht uitgeoefend wordt op de klemaansluitingen. Wanneer de aansluitingen niet stevig bevestigd zijn, kan dit verhitting of brand veroorzaken.
- Let er op dat u de juiste soort overstroombeveiligingsschakelaar gebruikt. De geproduceerde overstroom zou namelijk voor een deel uit gelijkstroom kunnen bestaan.
- Let erop dat de afdekkappen/panelen van aansluitblokken van het buitenapparaat stevig zijn bevestigd. Indien dit niet goed gebeurt, kan binnendringend stof of vocht leiden tot brand of een elektrische schok.

### ⚠ Voorzichtig:

- Let op dat u de draden niet verkeerd aansluit.
- Draai de schroeven op de aansluitklemmen goed vast, zodat ze niet losraken.
- Trek na het vastdraaien even licht aan de draden om te controleren of ze goed vastzitten.
- Als de verbindingkabel niet juist op het aansluitblok is aangesloten, functioneert het apparaat niet correct.
- Een installatieruimte kan de bevestiging van een aardlekschakelaar vereisen. Wanneer geen aardlekschakelaar is aangebracht, kan dit elektrische schokken veroorzaken.
- Gebruik alleen onderbrekingsschakelaars en zekeringen met de juiste capaciteit. Het gebruik van een zekering, draad en koperdraad met een te grote capaciteit kan storingen van het apparaat of brand veroorzaken.



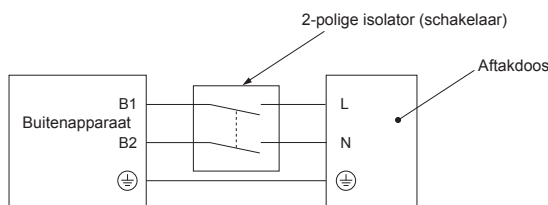
### BELANGRIJK

Let erop dat de stroomonderbreker geschikt is voor de aanwezigheid van hogere harmonischen. Gebruik altijd een stroomonderbreker die geschikt is voor de aanwezigheid van hogere harmonischen, aangezien dit apparaat is uitgerust met een omvormer. Een onjuiste stroomonderbreker kan leiden tot verkeerde werking van de omvormer.

Splits nooit de voedingskabel of de verbindingkabel tussen de binnen- en buitenapparaten en aftakdozen, aangezien dit kan leiden tot rookontwikkeling, brand of een communicatiestoring.

### ⚠ Waarschuwing:

- Sluit bij onderhoudswerkzaamheden altijd de hoofdstroomtoevoer af. Raak de aansluitingen B1 en B2 niet aan wanneer het apparaat is aangesloten op de stroomtoevoer. Als een isolator nodig is tussen het buitenapparaat en een aftakdoos of tussen een binnenapparaat en een aftakdoos, gebruik dan een tweepolig type. (Zie onderstaande afbeelding.)



### ⚠ Voorzichtig:


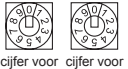
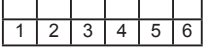

Reset het systeem na elk gebruik van de isolator door de hoofdstroomtoevoer uit en weer in te schakelen. Als dit niet wordt gedaan, detecteert het buitenapparaat mogelijk niet de aftakdozen of binnenapparaten.

Let erop dat de aftakdozen en de buiten- of binnenapparaten rechtstreeks op elkaar worden aangesloten, zonder tussenliggende aansluitpunten. Bij dergelijke aansluitpunten kan vocht de kabels binnendringen en verminderde isolatie van de aardleiding of slecht elektrisch contact veroorzaken, met communicatiestoringen als gevolg. (Als een tussenliggende aansluiting niet kan worden vermeden, neem dan maatregelen om het binnendringen van vocht in de kabels te voorkomen.)

## 6. Elektrische aansluitingen

### 6.5. Adressen instellen

Adresinstelling schakelaars

	Buiten	Aftakdoos				Binnenunit uit M-, S-, P-serie	CITY MULTI-serie																																									
		Adres		Verbindingsinstelling																																												
Schakelaar	 cijfer voor tientallen SWU2    cijfer voor eenheden SWU1	 cijfer voor tientallen SW12    cijfer voor eenheden SW11	A B C D E - 	ON: Binnenunit aangesloten OFF: Geen unit aangesloten (SW1-6 niet gebruikt)	Geen	 cijfer voor tientallen SW12    cijfer voor eenheden SW11																																										
Bereik	51 - 100	1 - 50		-	-	1 - 50																																										
Instelling	M-Control-binnenunit- of aftakdoos-adres +50	• Afhankelijk van het ingestelde adres (bijvoorbeeld 01) worden de adressen van de aangesloten binnenunits doorlopend ingesteld (bijvoorbeeld 02, 03, 04 en 05).		• Geef voor elke poort (A, B, C, D en E) aan of er binnenunits op zijn aangesloten.		Geen adresinstellingen voor de binnenunits.																																										
		<table border="1"> <tr> <td>SW1</td> <td>1</td> <td>2</td> <td>3</td> <td>4</td> <td>5</td> <td></td> </tr> <tr> <td></td> <td>ON</td> <td>ON</td> <td>ON</td> <td>ON</td> <td>ON</td> <td></td> </tr> <tr> <td>Poort</td> <td>A</td> <td>B</td> <td>C</td> <td>D</td> <td>E</td> <td></td> </tr> <tr> <td>Adres</td> <td>01</td> <td></td> <td></td> <td></td> <td></td> <td>(SW11, 12)</td> </tr> </table>	SW1	1	2	3	4	5			ON	ON	ON	ON	ON		Poort	A	B	C	D	E		Adres	01					(SW11, 12)	<table border="1"> <tr> <td>SW1</td> <td>1</td> <td>2</td> <td>3</td> <td>4</td> <td>5</td> <td>(6)</td> </tr> <tr> <td>Poort</td> <td>A</td> <td>B</td> <td>C</td> <td>D</td> <td>E</td> <td>niet gebruikt</td> </tr> </table>	SW1	1	2	3	4	5	(6)	Poort	A	B	C	D	E	niet gebruikt	Binnenunits aangesloten ON Binnenunits niet aangesloten OFF		-
SW1	1	2	3	4	5																																											
	ON	ON	ON	ON	ON																																											
Poort	A	B	C	D	E																																											
Adres	01					(SW11, 12)																																										
SW1	1	2	3	4	5	(6)																																										
Poort	A	B	C	D	E	niet gebruikt																																										

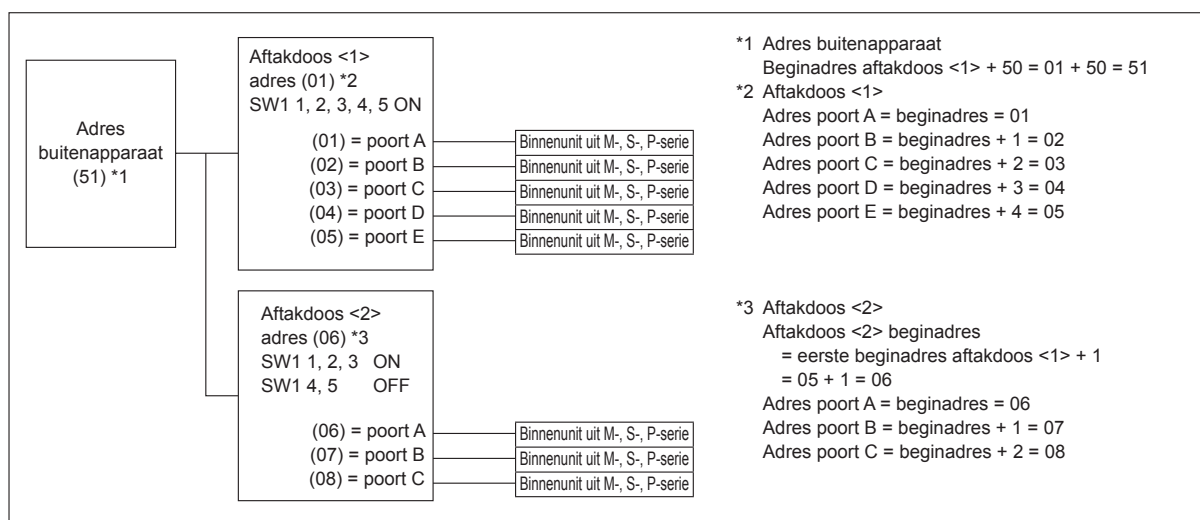
#### Opmerking: 1. Aftakdoosadres

Stel het adres in op een cijfer van 1 tot en met 50.

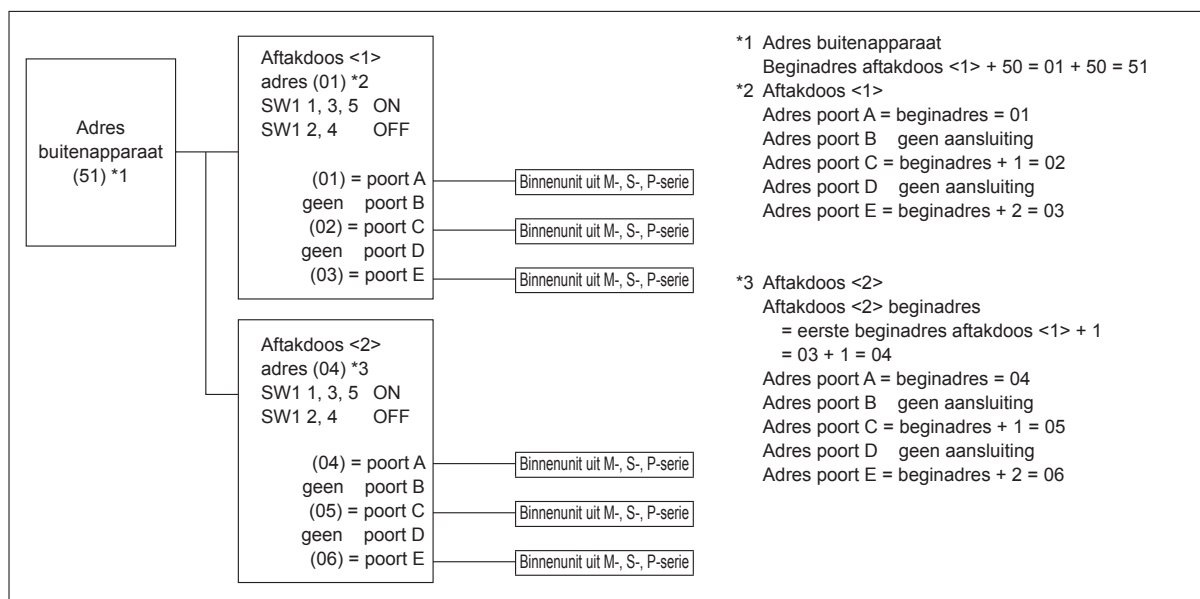
Bijv.: als adres is (47) ingesteld, en er zijn 5 binnenapparaten (A, B, C, D en E).

Als A: (47), B: (48), C: (49), D: (50) en E: (51), dan is E onjuist, omdat het adres een cijfer hoger dan 50 is.

Voorbeeld 1: Buitenapparaat + aftakdoos <1> (binnenunit A, B, C, D, E uit M-, S-, P-serie) + aftakdoos <2> (binnenunit A, B, C uit M-, S-, P-serie)

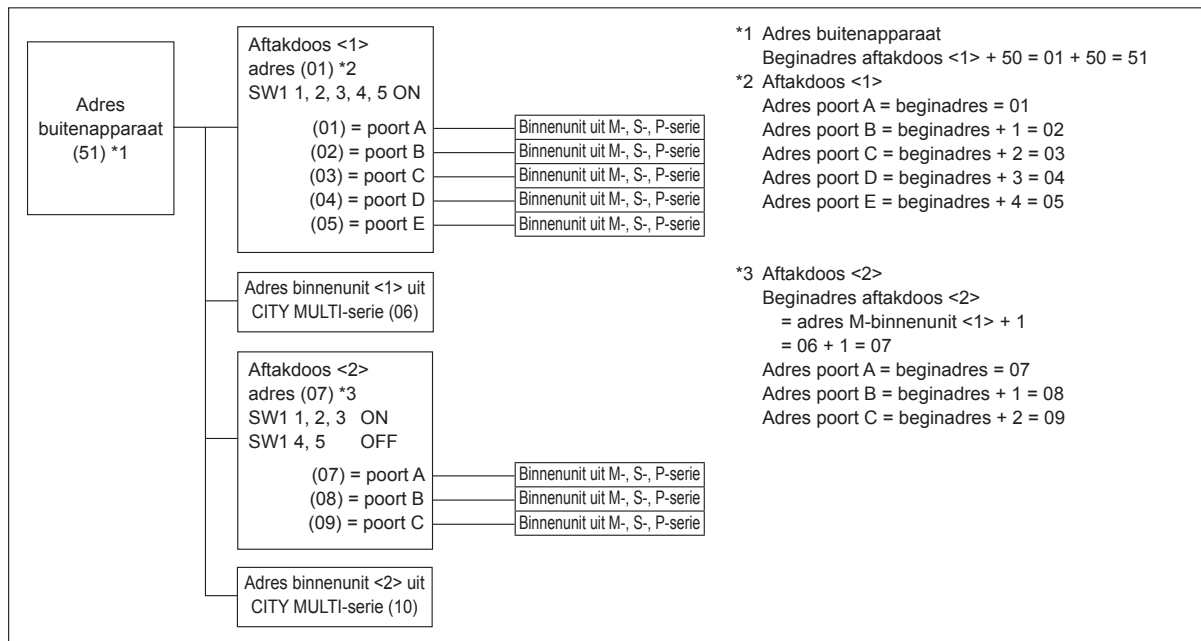


Voorbeeld 2: Buitenapparaat + aftakdoos <1> (binnenunit A, C, E uit M-, S-, P-serie) + aftakdoos <2> (binnenunit A, C, E uit M-, S-, P-serie)



## 6. Elektrische aansluitingen

Voorbeeld 3: Buitenapparaat + aftakdoos <1> (binnenunit A, B, C, D, E uit M-, S-, P-serie) + aftakdoos <2> (binnenunit A, B, C uit M-, S-, P-serie) + binnenunit <1> uit CITY MULTI-serie + binnenunit <2> uit CITY MULTI-serie





## 7. Proefdraaien

### 7.1. Voordat u gaat proefdraaien

- ▶ Controleer nadat u de binnen-en buitenapparaten, inclusief pijpen en bedrading, volledig heeft geïnstalleerd het geheel op lekken van koelstof, losse elektrische contacten in voeding of besturingsbedrading en polariteit en controleer of er geen verbrekking van een fase in de voeding is.
- ▶ Gebruik een 500-V M-ohm-tester om te controleren of de weerstand tussen de voedingsspanning en de aarde minimaal 1 MΩ bedraagt.
- ▶ Voer deze test niet uit op de aansluitpunten van de besturingsbedrading (laagspanningscircuit).

#### ⚠ Waarschuwing:

U mag de airconditioner niet gebruiken als de isolatieweerstand minder dan 1 MΩ bedraagt.

#### Isolatieweerstand

Na de installatie of nadat de voeding van het apparaat langere tijd is uitgeschakeld, daalt de isolatieweerstand tot onder 1 MΩ door de ophoping van koelstof in de compressor. Dit is geen storing. Volg de onderstaande procedures.

1. Haal de bedrading van de compressor los en meet vervolgens de isolatieweerstand van de compressor.
2. Als de isolatieweerstand lager is dan 1 MΩ, is de compressor defect of is de weerstand gedaald door de ophoping van koelstof in de compressor.

3. Sluit de bedrading van de compressor weer aan en schakel de voeding in. De compressor zal nu beginnen met warmdraaien. Meet de isolatieweerstand opnieuw nadat de voeding gedurende de hieronder aangegeven periode is ingeschakeld.
  - De isolatieweerstand daalt door de ophoping van koelstof in de compressor. De weerstand stijgt tot boven 1 MΩ nadat de compressor 12 uur heeft warmgedraaid. (De tijd die de compressor nodig heeft om warm te draaien varieert afhankelijk van de atmosferische omstandigheden en de ophoping van koelstof.)
  - Bij ophoping van koelstof in de compressor moet deze voor gebruik ten minste 12 uur warmdraaien om storingen te voorkomen.
4. Als de isolatieweerstand stijgt tot boven 1 MΩ, is de compressor niet defect.

#### ⚠ Voorzichtig:

- **De compressor werkt uitsluitend als de fase-aansluiting van de netspanning correct is.**
- **Zet de netspanningschakelaar ruim twaalf uur voordat u de airconditioner gaat gebruiken aan.**
- Als u het apparaat meteen nadat u de netschakelaar heeft omgedraaid aanzet, kunnen de interne onderdelen ernstig beschadigd worden. Gedurende het seizoen waarin u het apparaat gebruikt, moet u de netschakelaar altijd aan laten staan.

#### ▶ Controleer ook het volgende.

- De buitenunit is niet defect. De LED op het bedieningspaneel van de buitenunit zal gaan knipperen indien de buitenunit defect is.
- Zowel de gas- als vloeistofafsluitkraan staan volledig open.

## 7.2. Proefdraaien

### 7.2.1. Afstandsbediening gebruiken

Zie de installatiehandleiding van de binnenunit.

- Voer voor elke binnenunit afzonderlijk een testrun uit. Controleer of elke binnenunit correct functioneert, volgens de installatiehandleiding die bij de unit is meegeleverd.
- Indien u voor alle binnenunits tegelijk een testrun uitvoert, kunt u eventueel aanwezige foutieve aansluitingen van koelpijpen en bedrading niet ontdekken.
- \* Na het inschakelen van de netvoeding werkt de compressor gedurende minimaal 3 minuten niet.
- Direct na het inschakelen van de netvoeding of bij lage buitentemperaturen kan de compressor een geluid veroorzaken.
- Afhankelijk van de werkingsomstandigheden kan de ventilator van de buitenunit stoppen terwijl de compressor werkt; dit is echter geen storing.

### Over het beschermingsmechanisme voor opnieuw starten

Zodra de compressor stopt, treedt een apparaat in werking dat een herstart moet voorkomen, zodat de compressor ter bescherming van de airconditioner gedurende 3 minuten niet werkt.

## 7.3. Verzamelen van de koelstof (leegpompen)

Voer de volgende procedures uit om koelmiddel te verzamelen als u de binnen- of buitenunit verplaatst.

- ① Schakel de stroomonderbreker uit.
- ② Sluit de lagedrukzijde van het meterverdeelstuk aan op de onderhoudsopening van de gasafsluitkraan.
- ③ Sluit de vloeistofafsluitkraan.
- ④ Schakel de voedingsspanning in (stroomonderbreker).
  - \* Ongeveer 3 minuten na het inschakelen van de voeding (netschakelaar) wordt de communicatie tussen de binnen- en buitenunit gestart. Start het leegpompen 3 tot 4 minuten na het inschakelen van de voeding (netschakelaar).
- ⑤ Controleer of SW3-2 in de stand OFF (UIT) staat en zet vervolgens SW3-1 in de stand ON (AAN) om te proefdraaien met koeling. De compressor (buitenunit) en ventilatoren (binnen- en buitenunits) starten en het proefdraaien met koeling begint. Direct na het proefdraaien met koeling zet u de onderhoudsschakelaar SW2-4 van de buitenunit (schakelaar voor leegpompen) van de stand OFF (UIT) in de stand ON (AAN).
  - \* Laat de unit niet lang draaien met de schakelaar SW2-4 in de stand ON (AAN). Zet de schakelaar in de stand OFF (UIT) nadat het leegpompen afgerond is.

- ⑥ Sluit de gasafsluitkraan volledig wanneer de druk op de manometer 0,05 - 0,00 MPa (ongeveer 0,5 - 0,0 kgf/cm<sup>2</sup>) daalt
- ⑦ Stop airconditioner (SW3-1: OFF (UIT)). Zet de onderhoudsschakelaar van de buitenunit SW2-4 van de stand ON (AAN) in de stand OFF (UIT).
- ⑧ Schakel de voedingsspanning (stroomonderbreker) uit.
  - \* Als er teveel koelmiddel aan de airconditioner toegevoegd is, kan de druk mogelijk niet dalen naar 0,05 MPa (0,5 kgf/cm<sup>2</sup>). Als dit gebeurt, gebruik dan een koelmiddelopvangbak om al het koelmiddel uit de airconditioner op te vangen. Vul vervolgens na het verplaatsen van de binnen- en buitenunits de correcte hoeveelheid koelmiddel aan de airconditioner toe.

#### ⚠ Waarschuwing:

**Als u het koelmiddel uit het apparaat pompt, zet de compressor dan uit voordat u de koelmiddelleidingen losmaakt. De compressor kan barsten en letsel veroorzaken als andere stoffen, zoals lucht, het systeem binnendringen.**

# Contenido

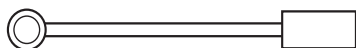
1. Medidas de Seguridad .....	90	5. Tubería de drenaje .....	102
2. Lugar de instalación .....	92	6. Trabajo eléctrico .....	102
3. Instalación de la unidad exterior.....	95	7. Prueba de funcionamiento .....	111
4. Instalación de los tubos del refrigerante .....	95		

## ⚠ Cuidado:

- No expulse R410A a la atmósfera.

## Confirmación de las piezas incluidas

Además del presente manual, se suministra la siguiente pieza con la unidad exterior. Esta pieza se utiliza para cablear a tierra el terminal S del bloque del terminal de transmisión TB7. Para obtener más información, consulte el apartado "6. Trabajo eléctrico".



Cableado a tierra

## 1. Medidas de Seguridad

- ▶ Antes de instalar la unidad, asegúrese de haber leído el capítulo de "Medidas de Seguridad".
- ▶ Antes de conectar el sistema, informe al servicio de suministro o pídales permiso para efectuar la conexión.
- ▶ Serie PUMY-P-VKM compatible con IEC/EN 61000-3-12
- ▶ Las series PUMY-P-VKM y PUMY-P-YKME han sido diseñadas para su uso en entornos residenciales, comerciales y de industria ligera.
- ▶ La serie PUMY-P-YKM ha sido diseñada para uso profesional.
- ▶ Al conectar una unidad interior ATW (serie EHST20C y EHSC) con un modelo trifásico, utilice PUMY-P-YKME4.

### ⚠ Atención:

Describe las precauciones que deben tenerse en cuenta para evitar el riesgo de lesiones o muerte del usuario.

### ⚠ Cuidado:

Describe las precauciones que deben tenerse en cuenta para evitar daños en la unidad.

### ⚠ Atención:

- El usuario no debe instalar la unidad. La instalación del aire acondicionado debe correr a cargo del distribuidor o técnico autorizado. La instalación incorrecta de la unidad puede provocar escapes de agua, descargas eléctricas o incendios.
- Este equipo se ha diseñado para ser utilizado por usuarios expertos o cualificados en comercios, industrias ligeras y granjas, o para su uso comercial por personas no expertas.
- Para la instalación, siga las instrucciones del Manual de instalación y utilice las herramientas y piezas de fontanería específicamente diseñados para utilizar con el refrigerante R410A. El refrigerante R410A en el sistema de HFC puede asimilar una presión 1,6 veces superior a la de los refrigerantes convencionales. Si los accesorios de fontanería que se instalan no están fabricados para el refrigerante R410A, los tubos se pueden quemar y causar daños o lesiones. Además, pueden producirse escapes de agua, descargas eléctricas o incendios.
- La unidad debe instalarse según las instrucciones para reducir posibles daños en caso de terremoto, huracán o vientos fuertes. Si no se instala correctamente, la unidad podría caerse y provocar daños o lesiones.
- La unidad debe instalarse firmemente sobre una estructura capaz de soportar su peso. Si la unidad se instala sobre una estructura inestable, podría caerse y provocar daños o lesiones.
- Si el equipo de aire acondicionado se instala en una sala pequeña deberán tomarse medidas para prevenir que la concentración de refrigerante exceda los límites de seguridad en caso de fugas. Pregunte a un distribuidor por las medidas adecuadas para evitar que la concentración exceda los límites. Si se produce una fuga de refrigerante que sobrepase los límites de concentración, la estancia en la sala puede ser peligrosa por falta de oxígeno.
- Si se produce una fuga de refrigerante durante el funcionamiento, ventile la sala. Si el refrigerante entra en contacto con una llama, se desprenderán gases nocivos.
- Todas las conexiones eléctricas deberán ser realizadas por un técnico cualificado según la normativa local y las instrucciones de este manual. Cada unidad debe tener su línea eléctrica y se deben usar disyuntores y un voltaje correcto. El uso de líneas eléctricas con una capacidad insuficiente o una conexión eléctrica incorrecta puede provocar descargas eléctricas o incendios.
- Utilice tubos de cobre fosforoso del tipo C1220 y tubos de aleación de cobre sin costuras para conectar los tubos del refrigerante. Si los tubos no se conectan correctamente, la unidad no estará bien puesta a tierra y puede provocar descargas eléctricas.

Después de terminar la instalación, explique las "Medidas de Seguridad", funcionamiento y mantenimiento de la unidad al cliente según el Manual de instrucciones y realice una prueba para asegurarse de que funciona correctamente. Entregue una copia del Manual de instalación y del Manual de instrucciones al usuario. Estos manuales deben pasar a usuarios posteriores del equipo.

⚡ : Indica una pieza que debe estar conectada a tierra.

### ⚠ Atención:

Lea atentamente las etiquetas adheridas a la unidad principal.

- Utilice solo cables especificados para el cableado. Las conexiones del cableado se deben realizar con seguridad sin que se ejerza tensión en las conexiones de los terminales. Asimismo, no empalme nunca los cables al realizar el cableado (a menos que se indique lo contrario en este documento). El hecho de no seguir estas instrucciones puede provocar un sobrecalentamiento o un incendio.
- La cubierta del bloque de terminales de la unidad exterior tiene que estar bien sujeta. Si la cubierta no se instala correctamente y el polvo y la humedad entran en la unidad, se pueden producir una descarga eléctrica o un incendio.
- Cuando instale, mueva o revise el equipo de aire acondicionado, utilice solo el refrigerante indicado (R410A) para cargar los tubos del refrigerante. No lo mezcle con otro tipo de refrigerante y vacíe completamente de aire los tubos. Si el aire se mezcla con el refrigerante, podría producir una tensión anormalmente alta en el tubo del refrigerante y ocasionar una explosión u otros peligros. Usar un refrigerante distinto al indicado para el sistema provocará un fallo mecánico, un funcionamiento defectuoso del sistema o la avería de la unidad. En el peor de los casos, podría suponer un grave impedimento para garantizar la seguridad del producto.
- Utilice sólo accesorios autorizados por Mitsubishi Electric y pida a su distribuidor o a un técnico autorizado que se los instale. Si los accesorios no se instalan correctamente, pueden producirse escapes de agua, descargas eléctricas o incendios.
- No modifique la unidad. Para las reparaciones, acuda a su distribuidor. Si las modificaciones o las reparaciones no se realizan correctamente, pueden producirse escapes de agua, descargas eléctricas o incendios.
- El usuario nunca debe intentar reparar la unidad o moverla de sitio. Si la unidad no se instala correctamente, pueden producirse escapes de agua, descargas eléctricas o incendios. Si debe reparar o mover el equipo de aire acondicionado, acuda a su distribuidor o técnico autorizado.
- Tras haber realizado la instalación, compruebe si hay fugas de refrigerante. Si en caso de fuga el refrigerante entra en contacto con las llamas de un calentador o de un equipo de cocina portátil, se desprenderán gases nocivos.
- Instale el equipo de acuerdo con la normativa para instalaciones eléctricas de su país.
- Si el cable de alimentación está dañado, deberá ser sustituido por el fabricante, su agente de mantenimiento o personas igualmente cualificadas para evitar cualquier riesgo.

# 1. Medidas de Seguridad

## 1.1. Cuestiones previas a la instalación

### ⚠ Cuidado:

- No utilice la unidad en un ambiente enrarecido. Este aire acondicionado no se puede instalar en áreas expuestas a vapor, aceite esencial (incluyendo el aceite para máquinas) o al humo sulfúrico, ni en áreas con alto contenido en sal, como playas, o en zonas donde la nieve pueda cubrir la unidad, ya que pueden reducir significativamente su rendimiento y dañar las piezas internas.
- No instale la unidad donde se puedan verter, producir, circular o acumular gases inflamables. Si se acumula gas inflamable en zonas próximas a la unidad, se podría producir un incendio o una explosión.
- La unidad exterior produce condensación cuando funciona como calefacción. Asegúrese de habilitar drenaje alrededor de la unidad exterior si la condensación puede provocar daños.
- Si instala la unidad en un hospital o en un centro de comunicaciones, recuerde que la unidad produce ruidos e interferencias electrónicas. Los conmutadores, aparatos domésticos, equipos médicos de alta frecuencia y las comunicaciones de radio pueden provocar un mal funcionamiento o la avería del equipo de aire acondicionado. El equipo de aire acondicionado también puede afectar los equipos médicos e interrumpir los cuidados médicos, así como los equipos de comunicación y dañar la calidad de la pantalla.

## 1.2. Cuestiones previas a la instalación (reubicación)

### ⚠ Cuidado:

- Tenga mucho cuidado cuando mueva las unidades. Se necesitan dos o más personas para llevar la unidad porque pesa 20 kg o más. No la sujete por las bandas de embalaje. Utilice guantes protectores para sacar la unidad de la caja y para moverla, ya que se podría lesionar con las aletas u otras partes.
- Guarde los embalajes en un lugar seguro. Los materiales de embalaje, como clavos y otras piezas de metal o de madera pueden producir pinchazos y otras lesiones.
- La base y los aditamentos de fijación de la unidad exterior deben comprobarse periódicamente para detectar posibles roturas, tuercas flojas o cualquier otro daño que hayan podido sufrir. Si no se solucionan esos problemas, la unidad podría caerse y causar daños o lesiones.
- No limpie con agua el equipo de aire acondicionado. Puede sufrir una descarga eléctrica.
- Apriete las tuercas de abocardado a los niveles recomendados mediante una llave dinamométrica. Si las aprieta demasiado, se pueden romper al cabo de un tiempo y producirse fugas de refrigerante.

## 1.3. Antes de la instalación eléctrica

### ⚠ Cuidado:

- Asegúrese de instalar disyuntores. Si no se instalan, se podrían producir descargas eléctricas.
- Use cables estándar de suficiente capacidad para las líneas eléctricas. Si no lo hace así, se podría producir un cortocircuito, un sobrecalentamiento o un incendio.
- Cuando instale las líneas eléctricas, los cables no deben tener corriente. Si las conexiones se aflojan, los cables se podrían cruzar o romper y se podría producir un incendio o un sobrecalentamiento.
- Asegúrese de instalar una toma de tierra. No conecte el cable de tierra a las tomas de tierra de las tuberías de gas o de agua, de postes de iluminación o de teléfono. Si la unidad no está bien conectada a la línea de tierra, se puede producir una descarga eléctrica.
- Utilice disyuntores (interruptor de falta de tierra, interruptor aislante (+fusible B) e interruptores en caja moldeada) con la potencia especificada. Si la potencia del interruptor es mayor que la especificada, puede ocurrir un incendio o una avería.

## 1.4. Antes de realizar las pruebas de funcionamiento

### ⚠ Cuidado:

- Conecte la corriente al menos 12 horas antes de que empiece a funcionar el equipo. Si se acciona inmediatamente después de haberlo conectado a la corriente, pueden producirse daños graves en las piezas internas. Mantenga la unidad conectada a la corriente durante la temporada de funcionamiento.
- Antes de que comience a funcionar el equipo, compruebe que todos los paneles y protectores están instalados correctamente. Las piezas giratorias, calientes o de alto voltaje pueden provocar lesiones.
- No toque ningún interruptor con las manos mojadas. Puede sufrir una descarga eléctrica.
- No toque la tubería del refrigerante sin guantes mientras durante el funcionamiento. La tubería del refrigerante está caliente o frío según las condiciones de la corriente de refrigerante. Si toca la tubería puede sufrir quemaduras por el calor o por el frío.
- Una vez deje de funcionar el aparato, espere cinco minutos antes de apagar el interruptor principal. De lo contrario, se puede producir un goteo de agua o una avería.

## 1.5. Utilización del refrigerante R410A para equipos de aire acondicionado

### ⚠ Cuidado:

- Utilice tubos de cobre fosforoso del tipo C1220 y tubos de aleación de cobre sin costuras para conectar los tubos del refrigerante. Asegúrese de que el interior de las tuberías está limpio y que no contienen ningún contaminante dañino como compuestos sulfúricos, oxidantes, impurezas o polvo. Utilice tuberías con el grosor especificado. (Consulte la página 95) Tenga en cuenta lo siguiente si reutiliza tuberías que contenían refrigerante R22.
- Sustituya las tuercas de abocardado existentes y vuelva a abocardar las secciones abocardadas.
- No use tuberías de poco grosor. (Consulte la página 95)
- Almacene las tuberías que se deban instalar en el interior y mantenga los orificios tapados hasta el momento de instalarlas. (Deje las juntas articuladas y otras piezas en sus embalajes.) Si el polvo, los restos o la humedad entran en las tuberías de refrigeración, se puede producir el deterioro del aceite o una avería en el aparato.
- Utilice aceite de éster, de éter o alquilobenceno (en pequeñas cantidades) para recubrir las secciones abocardadas. Si se mezcla aceite mineral con aceite de refrigeración se puede deteriorar el aceite.
- No utilice otro refrigerante que no sea R410A. Si utiliza otro refrigerante, el cloro provocará el deterioro del aceite.
- Utilice las siguientes herramientas especialmente diseñadas para usar con el refrigerante R410A. Se necesitan las siguientes herramientas para utilizar el refrigerante R410A. Si tiene alguna duda, consulte con su distribuidor más cercano.

Herramientas (para R410A)	
Manómetro	Abocardador
Manguera de carga	Ajustador del tamaño
Detector de fugas de gas	Adaptador de la bomba de vacío
Llave dinamométrica	Báscula electrónica de carga del refrigerante

- Asegúrese de utilizar las herramientas adecuadas. Si el polvo, los restos o la humedad entran en las tuberías de refrigeración, se puede producir el deterioro del aceite de refrigeración.
- No utilice un cilindro de carga. Si utiliza un cilindro de carga, variará la composición del refrigerante y no será tan eficaz.

## 2. Lugar de instalación

### 2.1. Tubería de refrigerante

Consulte la Fig. 4-1.

### 2.2. Elección del lugar de instalación de la unidad exterior

- No instale la unidad en lugares expuestos directamente al sol o a otras fuentes de calor.
- Escoja un lugar donde el ruido de la unidad no moleste a los vecinos.
- Escoja un lugar donde sea fácil instalar el cableado y las tuberías y acceder a la fuente de alimentación y a la unidad exterior.
- No instale la unidad donde se puedan verter, producir, circular o acumular gases inflamables.
- Durante el funcionamiento, la unidad puede perder agua.
- Escoja un lugar nivelado que pueda soportar el peso y la vibración de la unidad.
- No instale la unidad en lugares donde la pueda cubrir la nieve. En zonas propensas a las nevadas intensas, se deben tomar medidas de precaución, como por ejemplo, situar la unidad elevada o instalar una protección en la entrada de aire para evitar que la nieve la obstruya o fluya directamente contra ésta. Esto reduce la corriente de aire e impide que la unidad funcione correctamente.
- No instale la unidad en lugares expuestos a aceite, vapor o humo sulfúrico.
- Utilice las asas de transporte de la unidad exterior para transportarla. Si transporta la unidad tomándola por la parte inferior se podría lesionar las manos o los dedos.

### 2.3. Dimensiones exteriores (Unidad exterior) (Fig. 2-1)

#### Limitaciones en la instalación de las unidades interiores

Tenga en cuenta que los modelos de unidades interiores que se pueden conectar a esta unidad exterior son los siguientes.

- Las unidades interiores, con los números de modelo 15-140, se podrán conectar. Si se utiliza una caja de derivación, pueden conectarse unidades interiores con referencias 15-100. Para conocer las posibles combinaciones de unidades interiores en habitaciones, consulte la Tabla 1 a continuación.

#### Verificación

La capacidad nominal se debe determinar de acuerdo con la siguiente tabla. La cantidad de unidades está limitada según se muestra en la Tabla 2 a continuación. En el siguiente paso, asegúrese de que la capacidad nominal seleccionada esté dentro del rango del 50% al 130% de la capacidad de la unidad exterior.

- PUMY-P112 6,3 - 16,2 kW
- PUMY-P125 7,1 - 18,2 kW
- PUMY-P140 8,0 - 20,2 kW

Tabla 1-1 Unidades interiores City Multi (serie P-FY)

Tipo de unidad interior	P15*	P20	P25	P32	P40	P50	P63	P71	P80	P100	P125	P140
Capacidad nominal (Refrigeración) (kW)	1,7	2,2	2,8	3,6	4,5	5,6	7,1	8,0	9,0	11,2	14,0	16,0

Tabla 1-2 (series M, series P, series S)

Tipo de unidad interior	15	20	22	25	35	42	50	60	71	80	100
Capacidad nominal (Refrigeración) (kW)	1,5	2,0	2,2	2,5	3,5	4,2	5,0	6,0	7,1	8,0	10,0

Las combinaciones en las que la capacidad total de las unidades interiores sobrepase la capacidad de la unidad exterior reducirán la capacidad de refrigeración de cada unidad interior por debajo de la capacidad nominal de refrigeración correspondiente. Por ello, si es posible, combine las unidades interiores según la capacidad que admita la unidad exterior.

- \* Solamente se pueden conectar 12 unidades interiores a 1 unidad exterior si las unidades interiores son modelos de P15.

### 2.4. Conexión de una unidad PWFY

Al usar una unidad PWFY como unidad interior, tenga en cuenta los puntos siguientes, ya que la unidad PWFY difiere de otras unidades interiores. Una unidad PWFY no puede conectarse dentro de la UE.

#### 2.4.1. Restricciones de conexión

- Solo se puede conectar una unidad PWFY-P100VM-E-AU. Las unidades PWFY-P200VM-E-AU y PWFY-P100VM-E-BU no se pueden conectar.
- La unidad PWFY no puede ser la única unidad conectada a una unidad exterior. Seleccione una unidad exterior de forma que la capacidad nominal total de las unidades interiores, excluida la unidad PWFY, sea de entre el 50 y el 100% de la capacidad de la unidad exterior.

Límites de la capacidad nominal total de las unidades interiores cuando se conecta una unidad PWFY

- PUMY-P112 (1 unidad PWFY + unidades que no son PWFY [6,3 - 12,5 kW])
- PUMY-P125 (1 unidad PWFY + unidades que no son PWFY [7,1 - 14,0 kW])
- PUMY-P140 (1 unidad PWFY + unidades que no son PWFY [8,0 - 15,5 kW])

#### 2.4.2. Especificaciones de la unidad interior

Cuando se conecta una unidad PWFY a una unidad PUMY, las siguientes especificaciones cambian.

- La unidad PWFY solo puede funcionar en el modo de calefacción. La unidad PWFY no puede funcionar en el modo de refrigeración. Sin embargo, las unidades interiores, a excepción de la unidad PWFY, pueden funcionar en el modo de refrigeración.
- Las otras unidades interiores no pueden funcionar al mismo tiempo que la unidad PWFY.
- El funcionamiento de la unidad PWFY tiene prioridad. Cuando la unidad PWFY se encuentra en el modo de funcionamiento, las otras unidades interiores dejan de funcionar.
- La temperatura del controlador remoto es el valor objetivo de la temperatura del agua de salida.

#### 2.4.3. Ajustes del interruptor (Fig. 2-2)

Cuando conecte una unidad PWFY a una unidad PUMY, ajuste los interruptores DIP de SW1-1, SW4-2 y SW4-6 de la unidad PWFY en la posición ON.

#### 2.4.4. Prueba de funcionamiento

Si, para llevar a cabo la prueba de funcionamiento, se utilizan los interruptores de la unidad exterior, la unidad PWFY no funcionará. Utilice los interruptores de la unidad PWFY o el controlador remoto para llevar a cabo la prueba de funcionamiento. Para obtener más información sobre la ejecución de la prueba de funcionamiento, consulte el libro de datos o las instrucciones de funcionamiento de la unidad PWFY.

#### 2.4.5. Recuperación del refrigerante (vaciado)

El paso ① del procedimiento de bombeo indica al usuario que "haga funcionar todas las unidades interiores en el modo de enfriamiento". Sin embargo, la unidad PWFY no funciona en el modo de refrigeración.

Utilice todas las unidades interiores, a excepción de la unidad PWFY, en el modo de refrigeración.

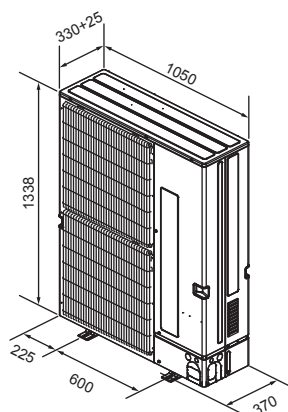


Fig. 2-1

Tabla 2 Cantidades de unidades interiores que se pueden conectar

#### • Unidades interiores City Multi

P112	1-9 *1
P125	1-10 *2
P140	1-12 *3

\*1 Cuando se conectan unidades interiores de la serie M a través del Kit de conexión, pueden conectarse 10 unidades interiores.

\*2 Cuando se conectan unidades interiores de la serie M a través del Kit de conexión, pueden conectarse 12 unidades interiores.

\*3 Cuando todas las unidades interiores son modelos P15, pueden conectarse 12 unidades interiores.

• Sistema de caja de derivación (unidades interiores de la serie M, S, P a través de caja de derivación)

P112	2-8
P125	2-8
P140	2-8

• Sistema mixto (unidades interiores City Multi y unidades interiores de la serie M, S, P a través de caja de derivación)

	Una caja de derivación		Dos cajas de derivación	
	A través de caja de derivación	Unidad interior City Multi	A través de caja de derivación	Unidad interior City Multi
P112	Máx. 5	Máx. 5*1	Máx. 7 Máx. 8	Máx. 3*1 Máx. 2*1
P125	Máx. 5	Máx. 5*1	Máx. 8	Máx. 3*1
P140	Máx. 5	Máx. 5*1	Máx. 8	Máx. 3*1

\*1 Las unidades interiores tipo PKFY-P-VBM, PFFY-P-VKM y PFFY-P-VL\* no se pueden utilizar en un sistema mixto.

Tabla 3 Especificaciones de la unidad PWFY

Modelo		PWFY-P100VM-E-AU
Rango de temp. del modo de calefacción	Temp. exterior	-15 a 21 °C (temp. seca), -15 a 15 °C (temp. húmeda)
	Temp. del agua de entrada	10 a 45 °C
Rango de temp. del modo de refrigeración	Temp. exterior	-
	Temp. del agua de entrada	-

SW1

	1	2	3	4	5	6	7	8	9	10
ON	■									

SW4

	1	2	3	4	5	6	7	8	9	10
ON	■	■			■					

Fig. 2-2

## 2. Lugar de instalación

### 2.5. Conectar un cilindro (EHST20C) o una unidad Hydrobox (EHSC)

Cuando conecte un cilindro o una unidad Hydrobox, tenga en cuenta los puntos siguientes, ya que el cilindro y la unidad Hydrobox son distintos de otras unidades interiores.

#### 2.5.1. Restricciones de conexión

- Solo pueden conectarse 1 cilindro (EHST20C) o 1 unidad Hydrobox (EHSC).
- (No se pueden conectar los modelos EHST20C-MEC, la serie EHST20D, la serie EHPT20X, la serie EHSD, EHSC-MEC, la serie ERSD, la serie ERSC y la serie EHPX).
- Si se conectan sistemas Ecodan, utilice una caja de derivación PAC-MK32/52BC(B). (No puede utilizarse una caja de derivación PAC-MK31/51BC(B)).
- Las unidades PWFY no pueden conectarse simultáneamente con un cilindro o una unidad Hydrobox.
- Pueden conectarse unidades interiores ATA\*1 con una capacidad nominal total del 50% – 130% de la capacidad de la unidad exterior, y 1 cilindro o 1 unidad Hydrobox.

\*1 Unidad interior ATA: Una unidad interior sin PWFY, unidad de Cilindro y unidad de Hydrobox.

PUMY-P112 1 cilindro o 1 Hydrobox + unidades interiores ATA [máx. 16,2 (1,3\*2) kW]

PUMY-P125 1 cilindro o 1 Hydrobox + unidades interiores ATA [máx. 18,2 (2,8\*2) kW]

PUMY-P140 1 cilindro o 1 Hydrobox + unidades interiores ATA [máx. 20,2 (4,3\*2) kW]

\*2 Si se utiliza una unidad de Cilindro o Hydrobox en el modo de calefacción / modo DHW y al mismo tiempo se utilizan las unidades interiores ATA.

No obstante, pueden conectarse las siguientes combinaciones.

- PUMY-P112: MSZ-SF15VE × 1
- PUMY-P125: MSZ-SF15VE × 2
- PUMY-P140: MSZ-SF15VE × 3

#### 2.5.2. Especificaciones de la unidad interior

Cuando se conecta un cilindro o una unidad Hydrobox, las siguientes especificaciones cambian.

- El cilindro o la unidad Hydrobox no pueden funcionar en el modo de refrigeración.
- El modo de funcionamiento del cilindro o de la unidad Hydrobox siempre tiene prioridad.
- No puede utilizarse el modo de funcionamiento ecológico DHW.
- La temperatura máxima del flujo es de 55 °C. (El interruptor DIP SW1-2 en el Cilindro o en la unidad Hydrobox debe cambiarse a OFF).
- La monitorización de la energía solo puede utilizarse cuando se conecta un contador eléctrico externo.
- No pueden controlarse varias unidades exteriores.
- Un Cilindro o una unidad Hydrobox no pueden conectarse a un controlador remoto M-NET ni a un controlador centralizado.
- El bloqueo de la caldera solo puede utilizarse al cambiar a la temperatura del aire exterior.
- Una unidad de Cilindro o Hydrobox no puede agruparse con una unidad interior ATA.
- Si se utiliza una unidad de Cilindro o Hydrobox en el **Modo de calefacción** y al mismo tiempo se utilizan las unidades interiores ATA, tenga en cuenta los siguientes aspectos.
  - El intervalo de temperaturas del flujo de calefacción de la unidad de Cilindro o Hydrobox es de 45 °C - 55 °C.
  - Ajuste el intervalo de temperaturas del flujo consultando el Manual de instalación de la unidad de Cilindro o Hydrobox.
  - La temperatura exterior debe ser -10 °C o superior. Cuando la temperatura exterior es inferior a 7 °C, se reducen la temperatura del flujo y la temperatura de expulsión.
- La unidad de Cilindro o Hydrobox en el **modo DHW** y las unidades interiores ATA solo pueden utilizarse simultáneamente si la temperatura exterior es como mínimo de 7 °C. Si la temperatura exterior es inferior a 7 °C, no pueden funcionar simultáneamente.

#### 2.5.3. Configuración de los interruptores

Cuando conecte un Cilindro o una unidad Hydrobox a una unidad PUMY, coloque el interruptor DIP SW1-2 del Cilindro o de la unidad Hydrobox en la posición OFF.

#### 2.5.4. Prueba de funcionamiento

Realice la prueba de funcionamiento para el cilindro o la unidad Hydrobox desde la unidad interior.

(Para obtener más detalles acerca de la prueba de funcionamiento, consulte el manual de instalación del cilindro o de la unidad Hydrobox).

#### 2.5.5. Recuperación del refrigerante (bombeo)

Realice los procedimientos del apartado 7.3.

### 2.6. Conectar una unidad interior de sólo refrigeración

Si un sistema incluye una o más unidades interiores de sólo refrigeración, configure todo el sistema como un sistema de refrigeración.

Configure las unidades de la forma indicada en la tabla 4.

Tabla 4 Procedimiento de configuración para sólo refrigeración

Unidad		Configuración
Unidad exterior	PUMY-P-V/YKM(E)4	Conmutador DIP SW2-6 en la placa de circuitos del controlador múltiple: ON
Caja de derivación	PAC-MK-BC(B)	Conmutador DIP SW4-5 en la placa de circuitos del controlador de la caja de derivación: ON
Unidad interior	Serie CITY MULTI	Conmutador DIP SW3-1 en la placa de circuitos del controlador de la unidad interior: ON
	Serie M, S, P	El ajuste no es necesario.

### 2.7. Conectar una PEFY-P-VMA3-E

Cuando utilice una PEFY-P-VMA3-E, utilice estas combinaciones para las unidades interiores conectadas.

	PUMY-P112	PUMY-P125	PUMY-P140
OK	PEFY-P25VMA3-E × 2 + PEFY-P32VMA3-E × 2	PEFY-P32VMA3-E × 4	PEFY-P32VMA3-E × 3 + PEFY-P40VMA3-E × 1
NO	Todas las combinaciones exceptuando las anteriores Ej. 1: PEFY-P25VMA3-E × 2 + PEFY-P32VMA3-E × 2 Ej. 2: PEFY-P25VMA3-E × 2 + PEFY-P32VMA3-E × 1 Ej. 3: PEFY-P32VMA3-E × 4 (Una combinación para un PUMY-P125) Ej. 4: PEFY-P25VMA3-E × 2 + PEFY-P32VMA3-E × 2 + MSZ-FH25VE × 1	Todas las combinaciones exceptuando las anteriores Ej. 1: PEFY-P32VMA3-E × 3 + PEFY-P32VMA3-E × 1 Ej. 2: PEFY-P32VMA3-E × 3 Ej. 3: PEFY-P25VMA3-E × 2 + PEFY-P32VMA3-E × 2 (Una combinación para un PUMY-P112) Ej. 4: PEFY-P32VMA3-E × 3 + PLFY-P20VFM-E × 1 + SEZ-KD25VA × 1	Todas las combinaciones exceptuando las anteriores Ej. 1: PEFY-P32VMA3-E × 3 + PEFY-P40VMA3-E × 1 Ej. 2: PEFY-P32VMA3-E × 2 + PEFY-P40VMA3-E × 1 Ej. 3: PEFY-P32VMA3-E × 4 (Una combinación para un PUMY-P125) Ej. 4: PEFY-P32VMA3-E × 3 + PCFY-P40VKM-E × 1 + MSZ-SF15VA × 1

- Ej. 1: Se ha seleccionado una unidad oculta en el techo que no es de la serie VMA3.  
No pueden realizarse combinaciones con unidades ocultas en el techo de una serie diferente.  
Ej. 2: El número de unidades es incorrecto.  
Ej. 3: La combinación es para una unidad con una capacidad diferente.  
Ej. 4: La combinación no es correcta.

### 2.8. Conectar una PLFY-EP-VEM-E

Para PLFY-EP VEM-E, se pueden conectar hasta 2 unidades.

Pueden conectarse otras unidades interiores\*1 siempre que no se supere la capacidad nominal total y el número máximo de unidades conectadas.

\*1 Excepto PEFY-P-VMA3-E y PEFY-P-VMH-EF.

## 2. Lugar de instalación

### 2.9. Ventilación y espacio de servicio

#### 2.9.1. Cuando se instala una unidad exterior simple

Las dimensiones mínimas son las siguientes, excepto para máx. (dimensiones máximas), las cuales también están indicadas.

Consulte los números correspondientes para cada caso.

- ① Obstáculos sólo en la parte trasera (Fig. 2-3)
- ② Obstáculos sólo en la parte trasera y superior (Fig. 2-4)
  - \* No utilice las guías para salida de aire opcionales para corriente de aire hacia arriba.
- ③ Obstáculos sólo en la parte trasera y los laterales (Fig. 2-5)
- ④ Obstáculos sólo en la parte delantera (Fig. 2-6)
  - \* Si utiliza una guía para salida de aire opcional, el espacio libre deberá ser de 500 mm o más.
- ⑤ Obstáculos sólo en la parte delantera y trasera (Fig. 2-7)
  - \* Si utiliza una guía para salida de aire opcional, el espacio libre deberá ser de 500 mm o más.
- ⑥ Obstáculos sólo en la parte trasera, los laterales y superior (Fig. 2-8)
  - \* No utilice las guías para salida de aire opcionales para corriente de aire hacia arriba.

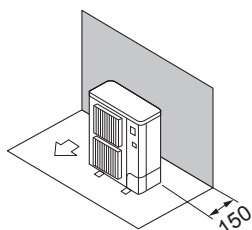


Fig. 2-3

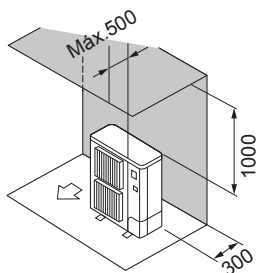


Fig. 2-4

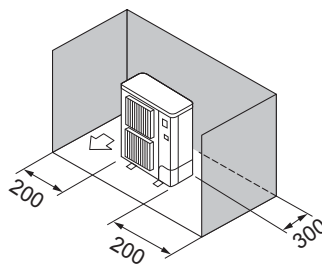


Fig. 2-5

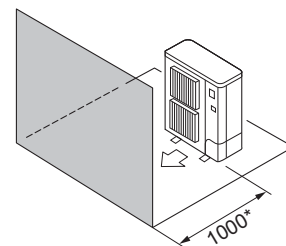


Fig. 2-6

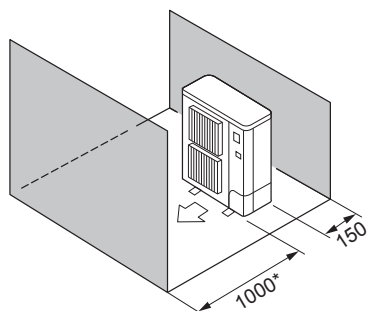


Fig. 2-7

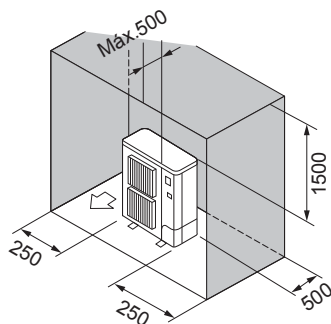


Fig. 2-8

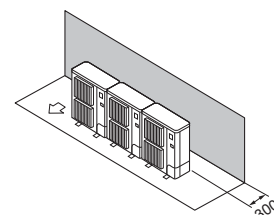


Fig. 2-9

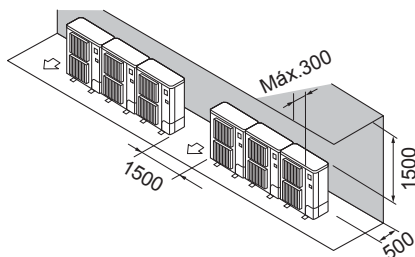


Fig. 2-10

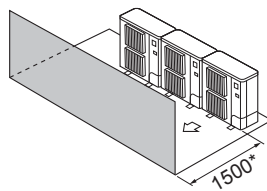


Fig. 2-11

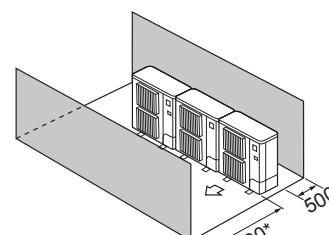


Fig. 2-12

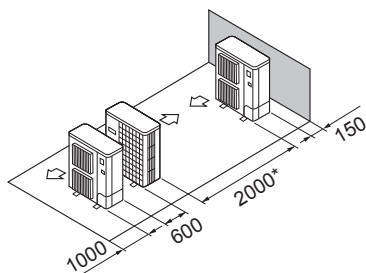


Fig. 2-13

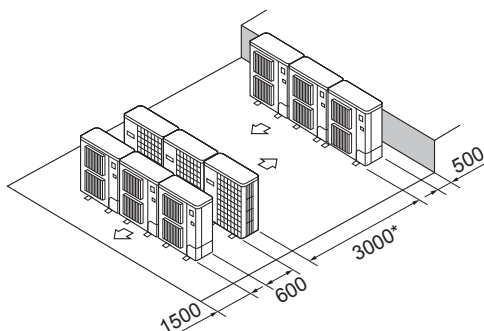


Fig. 2-14

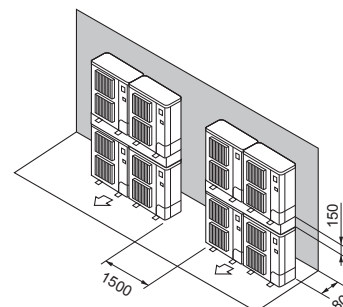


Fig. 2-15

#### 2.9.2. Cuando instale varias unidades exteriores

Deje un espacio de 25 mm o más entre las unidades.

- ① Obstáculos sólo en la parte trasera (Fig. 2-9)
- ② Obstáculos sólo en la parte trasera y superior (Fig. 2-10)
  - \* No se deben instalar más de tres unidades correlativas. Además, se debe dejar el espacio indicado.
  - \* No utilice las guías para salida de aire opcionales para corriente de aire hacia arriba.
- ③ Obstáculos sólo en la parte delantera (Fig. 2-11)
  - \* Si utiliza una guía para salida de aire opcional, el espacio libre deberá ser de 1000 mm o más.
- ④ Obstáculos sólo en la parte delantera y trasera (Fig. 2-12)
  - \* Si utiliza una guía para salida de aire opcional, el espacio libre deberá ser de 1000 mm o más.
- ⑤ Disposición en paralelo de unidades simples (Fig. 2-13)
  - \* Si utiliza un guía para salida de aire opcional instalada para que el aire salga hacia arriba, el espacio libre debe ser de 1000 mm o más.
- ⑥ Disposición en paralelo de varias unidades (Fig. 2-14)
  - \* Si utiliza un guía para salida de aire opcional instalada para que el aire salga hacia arriba, el espacio libre debe ser de 1500 mm o más.
- ⑦ Disposición de unidad apilada (Fig. 2-15)
  - \* Se pueden apilar hasta dos unidades de altura.
  - \* No se deben instalar más de dos unidades correlativas. Además, se debe dejar el espacio indicado.

## 2. Lugar de instalación

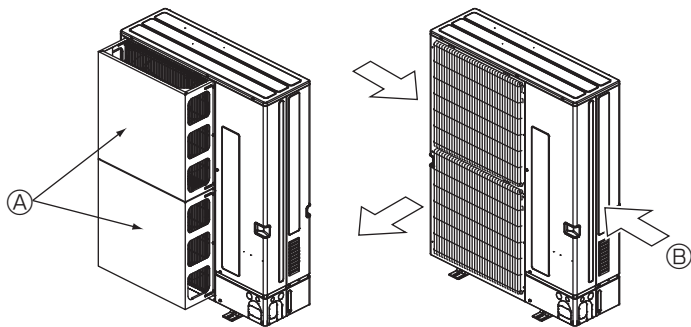


Fig. 2-16

Fig. 2-17

### 2.9.3. Instalación en lugares expuestos al viento

Cuando instale una unidad en el tejado o en otros lugares desprotegidos del viento, la salida de aire de la unidad no debe quedar expuesta directamente al viento fuerte. Si el viento fuerte entra en la salida de aire puede impedir la circulación normal del aire y causar un mal funcionamiento.

A continuación se muestran 2 ejemplos de precauciones contra el viento fuerte.

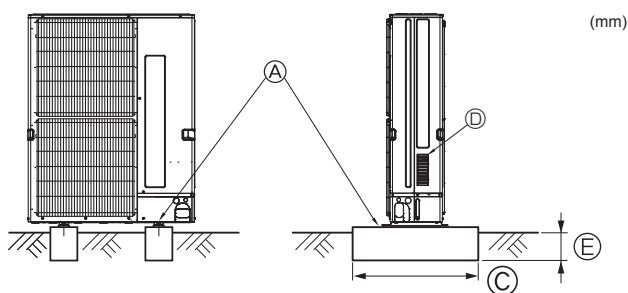
① Si la unidad está situada en un lugar expuesto a vientos fuertes como huracanes que puedan entrar en la salida de aire, coloque una guía de aire opcional. (Fig. 2-16)

Ⓐ Guía de aire

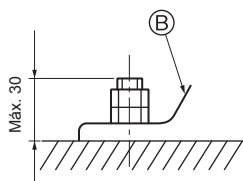
② Coloque la unidad de manera que la salida de aire sople en dirección perpendicular a la dirección estacional del viento, si la conoce. (Fig. 2-17)

Ⓑ Dirección del viento

## 3. Instalación de la unidad exterior



(mm)



- Ⓐ Perno M10 (3/8")
- Ⓑ Base
- Ⓒ Lo más largo posible.
- Ⓓ Salida de aire
- Ⓔ Introdúzcalo bien en el suelo

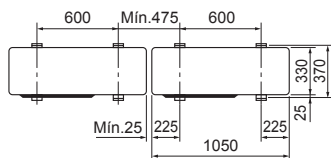


Fig. 3-1

• Cerciórese de instalar la unidad en una superficie robusta y nivelada para evitar los ruidos de traqueteo durante la operación. (Fig. 3-1)

<Especificaciones de la cimentación>

Perno de cimentación	M10 (3/8")
Grosor del hormigón	120 mm
Longitud del perno	70 mm
Capacidad de soporte de peso	320 kg

• Cerciórese de que la longitud del perno de cimentación esté dentro de 30 mm de la superficie inferior de la base.

• Asegure firmemente la base de la unidad con cuatro pernos de cimentación M10 en lugares robustos.

### Instalación de la unidad exterior

• No obstruya la salida de aire. Si se obstruye la salida de aire, se puede dificultar el funcionamiento del aparato y puede causar una avería.

• Además de la base de la unidad, utilice los orificios de instalación situados en la parte trasera de la unidad para añadirle cables u otros elementos necesarios para instalar la unidad. Utilice tirafondos (Ø5 × 15 mm o menos) para instalar el equipo.

#### ⚠ Atención:

• La unidad debe instalarse firmemente sobre una estructura capaz de soportar su peso. Si la unidad se instala sobre una estructura inestable, podría caerse y provocar daños o lesiones.

• La unidad debe instalarse según las instrucciones para reducir posibles daños en caso de terremoto, huracán o vientos fuertes. Si no se instala correctamente, la unidad podría caerse y provocar daños o lesiones.

#### ⚠ Cuidado:

• Instale la unidad sobre una estructura rígida para evitar un ruido o una vibración excesivos durante el funcionamiento.

## 4. Instalación de los tubos del refrigerante

### 4.1. Precauciones a tomar en equipos que utilicen el refrigerante R410A

- Consulte la página 91 para las precauciones a tomar en equipos que utilicen el refrigerante R410A y que no se encuentren a continuación.
- Utilice aceite de éster, de éter o alquilobenceno (en pequeñas cantidades) para recubrir las secciones abocardadas.
- Utilice tubos de cobre fosforoso del tipo C1220 y tubos de aleación de cobre sin costuras para conectar los tubos del refrigerante. Utilice tuberías para refrigerante del grosor especificado en la tabla siguiente. Asegúrese de que el interior de las tuberías está limpio y que no contienen ningún contaminante nocivo como compuestos sulfúricos, oxidantes, restos o polvo.

#### ⚠ Atención:

Cuando instale, mueva o revise el equipo de aire acondicionado, utilice solo el refrigerante indicado (R410A) para cargar los tubos del refrigerante. No lo mezcle con otro tipo de refrigerante y vacíe completamente de aire los tubos. Si el aire se mezcla con el refrigerante, podría producir una tensión anormalmente alta en el tubo del refrigerante y ocasionar una explosión u otros peligros. Usar un refrigerante distinto al indicado para el sistema provocará un fallo mecánico, un funcionamiento defectuoso del sistema o la avería de la unidad. En el peor de los casos, podría suponer un grave impedimento para garantizar la seguridad del producto.

Ø6,35, Ø9,52, Ø12,7	Grosor 0,8 mm
Ø15,88	Grosor 1,0 mm

- No utilice tubos con un grosor menor del especificado a continuación.
- Los grosores que se enumeran en la tabla anterior están basados en estándares japoneses. Utilice tuberías que funcionen a una presión de 4,15 MPa [601 PSIG] como mínimo de acuerdo a los estándares locales.

## 4. Instalación de los tubos del refrigerante

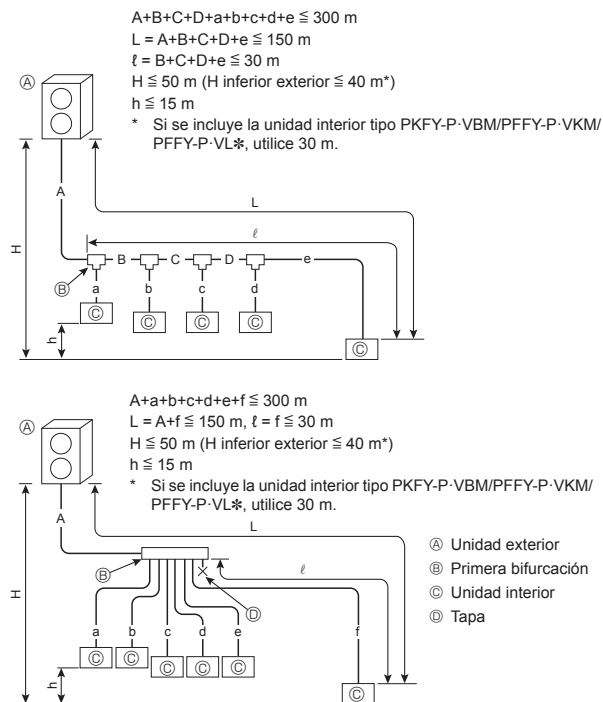


Fig. 4-1

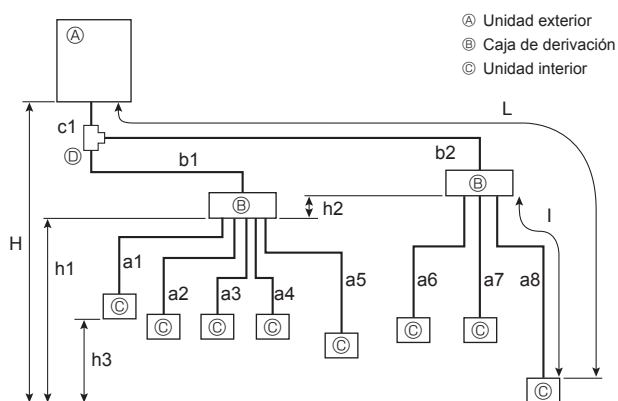


Fig. 4-2

Longitud permitida (un sentido)	Longitud total de los tubos	$c1 + b1 + b2 + a1 + a2 + a3 + a4 + a5 + a6 + a7 + a8 \leq 150$ m
	Longitud máxima de los tubos (L)	$c1 + b2 + a8 \leq 80$ m
	Longitud de los tubos entre la unidad exterior y las cajas de derivación	$c1 + b1 + b2 \leq 55$ m
	Caja de derivación más alejada de la primera junta (b2)	$b2 \leq 30$ m
	Longitud máxima del tubo desde la caja de derivación (l)	$a8 \leq 25$ m
	Longitud total de los tubos entre las cajas de derivación y las unidades interiores	$a1 + a2 + a3 + a4 + a5 + a6 + a7 + a8 \leq 95$ m
Diferencia en la altura permitida (un sentido)	En la sección interior/exterior (H)*1	$H \leq 50$ m (En caso de que la unidad exterior se instale más arriba que la unidad interior) $H \leq 40$ m (En caso de que la unidad exterior se instale más abajo que la unidad interior)
	En la sección caja de derivación/unidad interior (h1)	$h1 + h2 \leq 15$ m
	En cada unidad de derivación (h2)	$h2 \leq 15$ m
	En cada unidad interior (h3)	$h3 \leq 12$ m
Número de codos	$ c1 + b1 + a1 ,  c1 + b1 + a2 ,  c1 + b1 + a3 ,  c1 + b1 + a4 ,  c1 + b1 + a5 ,  c1 + b2 + a6 ,  c1 + b2 + a7 ,  c1 + b2 + a8  \leq 15$	

\*1 La caja de derivación se deberá situar en el nivel entre la unidad exterior y las unidades interiores.

## 4.2. Longitud de los tubos y diferencia de altura

### 4.2.1. Conexión sin caja de derivación (Fig. 4-1)

A	(mm)	
	A Tubo de líquido	B Tubo de gas
PUMY-P112-140	$\varnothing 9,52$	$\varnothing 15,88$

B, C, D	(mm)	
Capacidad total de las unidades interiores	A Tubo de líquido	B Tubo de gas
	$\varnothing 9,52$	$\varnothing 15,88$

a, b, c, d, e, f	(mm)	
D Número de modelo	A Tubo de líquido	B Tubo de gas
15, 20, 25, 32, 40, 50	$\varnothing 6,35$	$\varnothing 12,7$
63, 80, 100, 125, 140	$\varnothing 9,52$	$\varnothing 15,88$

E Modelo de juego de bifurcación
CMY-Y62-G-E

F 4-Cabezal de bifurcación	G 8-Cabezal de bifurcación
CMY-Y64-G-E	CMY-Y68-G-E

\* Cuando conecte el KIT DE CONEXIÓN (PAC-LV11M-J) con una unidad interior de la serie M, consulte el manual de instalación del KIT DE CONEXIÓN para seleccionar el tamaño y la longitud de las tuberías.

### 4.2.2. Conexión con caja de derivación (Fig. 4-2)

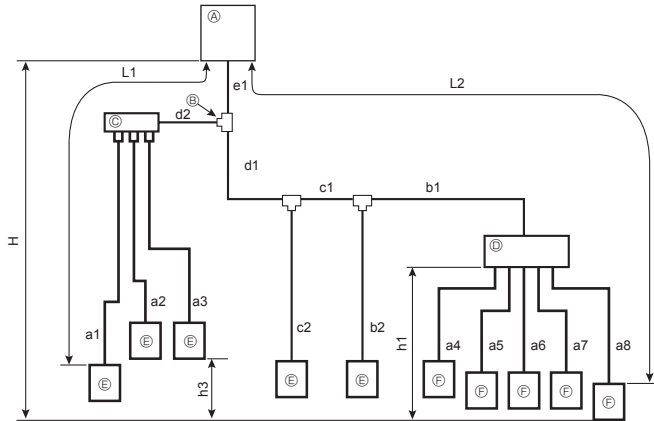
- Esta unidad tiene conexiones abocardadas en cada unidad interior, en la caja de derivación y en los laterales de la unidad exterior.
- Retire la cubierta de la válvula de la unidad exterior y, a continuación, conecte el tubo.
- Los tubos de refrigerante se utilizan para conectar la caja de derivación y la unidad interior.



## 4. Instalación de los tubos del refrigerante

### 4.2.3. Sistema mixto (unidades interiores City Multi y unidades interiores de la serie M, S, P a través de caja de derivación) (Fig. 4-3)

#### 1. Si se utiliza 1 caja de derivación



- Ⓐ Unidad exterior
  - Ⓑ Primera junta
  - Ⓒ Cabecera de derivación (CMY)
  - Ⓓ Caja de derivación (PAC-MK-BC(B))
  - Ⓔ Unidad interior CityMulti\*
  - Ⓕ Unidad interior de la serie M, S, P, unidad de Cilindro o unidad Hydrobox
- \* Las unidades interiores tipo PKFY-P-VBM, PFFY-P-VKM y PFFY-P-VL\* no se pueden utilizar en un sistema mixto.

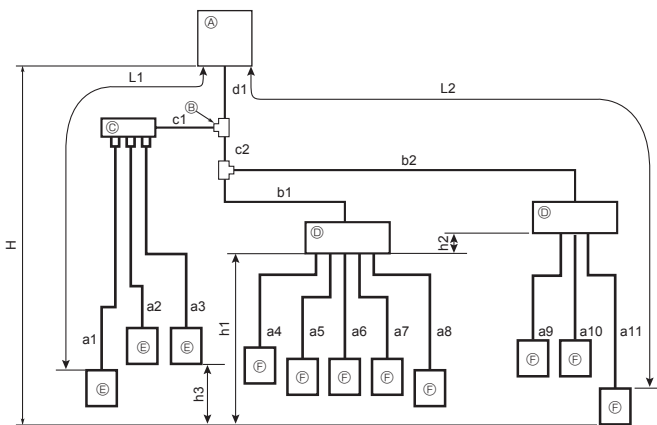
Fig. 4-3 (a)

Longitud admisible (en un sentido)	Longitud de tubería total	$e1 + d1 + d2 + c1 + c2 + b1 + b2 + a1 + a2 + a3 + a4 + a5 + a6 + a7 + a8 \leq 300 \text{ m} *3$
	Longitud de tubería más alejada (L1)	$e1 + d2 + a1$ , o bien $e1 + d1 + c1 + b2 \leq 85 \text{ m}$
	Longitud de tubería más alejada. A través de caja de derivación (L2)	$e1 + d1 + c1 + b1 + a8 \leq 80 \text{ m}$
	Longitud de la tubería entre la unidad exterior y la caja de derivación	$e1 + d1 + c1 + b1 \leq 55 \text{ m}$
	Longitud de la tubería más alejada desde la primera junta	$d1 + c1 + b1$ , $d1 + c1 + b2$ , $d1 + c2$ , o bien $d2 + c1 \leq 30 \text{ m}$
	Longitud de la tubería más alejada después de la caja de derivación	$a8 \leq 25 \text{ m}$
Diferencia de altura admisible (en un sentido)	Longitud total de la tubería entre las cajas de derivación y las unidades interiores	$a4 + a5 + a6 + a7 + a8 \leq 95 \text{ m}$
	En la sección interior/exterior (H) *2	$H \leq 50 \text{ m}$ (en caso de que la unidad exterior esté situada a mayor altura que la unidad interior) $H \leq 40 \text{ m}$ (en caso de que la unidad exterior esté situada a menor altura que la unidad interior)
	En la sección de caja de derivación/unidad interior (h1)	$h1 \leq 15 \text{ m}$
Número de curvas	En cada unidad interior (h3)	$h3 \leq 12 \text{ m}$
		$ e1 + d2 + a1 $ , $ e1 + d2 + a2 $ , $ e1 + d2 + a3 $ , $ e1 + d1 + c2 $ , $ e1 + d1 + c1 + b2 $ , $ e1 + d1 + c1 + b1 + a4 $ , $ e1 + d1 + c1 + b1 + a5 $ , $ e1 + d1 + c1 + b1 + a6 $ , $ e1 + d1 + c1 + b1 + a7 $ , $ e1 + d1 + c1 + b1 + a8  \leq 15$

\*2: La caja de derivación debería colocarse dentro del nivel entre la unidad exterior y las unidades interiores.

\*3: Si se ha conectado una unidad de Cilindro o una unidad Hydrobox, la longitud máxima de la tubería es de 150 m.

#### 2. Si se utilizan 2 cajas de derivación



- Ⓐ Unidad exterior
  - Ⓑ Primera junta
  - Ⓒ Cabecera de derivación (CMY)
  - Ⓓ Caja de derivación (PAC-MK-BC(B))
  - Ⓔ Unidad interior CityMulti\*
  - Ⓕ Unidad interior de la serie M, S, P, unidad de Cilindro o unidad Hydrobox
- \* Las unidades interiores tipo PKFY-P-VBM, PFFY-P-VKM y PFFY-P-VL\* no se pueden utilizar en un sistema mixto.

Fig. 4-3 (b)

Longitud admisible (en un sentido)	Longitud de tubería total	$d1 + c1 + c2 + b1 + b2 + a1 + a2 + a3 + a4 + a5 + a6 + a7 + a8 + a9 + a10 + a11 \leq 240 \text{ m} *3$
	Longitud de tubería más alejada (L1)	$d1 + c1 + a1 \leq 85 \text{ m}$
	Longitud de tubería más alejada. A través de caja de derivación (L2)	$d1 + c2 + b2 + a11 \leq 80 \text{ m}$
	Longitud de la tubería entre la unidad exterior y las cajas de derivación	$d1 + c2 + b1 + b2 \leq 55 \text{ m}$
	Longitud de la tubería más alejada desde la primera junta	$c2 + b2$ , o bien $c1 + a1 \leq 30 \text{ m}$
	Longitud de la tubería más alejada después de la caja de derivación	$a11 \leq 25 \text{ m}$
	Caja de derivación más alejada de la unidad exterior	$d1 + c2 + b2 \leq 55 \text{ m}$
Diferencia de altura admisible (en un sentido)	Longitud total de la tubería entre las cajas de derivación y las unidades interiores	$a4 + a5 + a6 + a7 + a8 + a9 + a10 + a11 \leq 95 \text{ m}$
	En la sección interior/exterior (H) *2	$H \leq 50 \text{ m}$ (en caso de que la unidad exterior esté situada a mayor altura que la unidad interior) $H \leq 40 \text{ m}$ (en caso de que la unidad exterior esté situada a menor altura que la unidad interior)
	En la sección de caja de derivación/unidad interior (h1+h2)	$h1 + h2 \leq 15 \text{ m}$
	En cada unidad de derivación (h1)	$h2 \leq 15 \text{ m}$
Número de curvas	En cada unidad interior (h3)	$h3 \leq 12 \text{ m}$
		$ d1 + c1 + a1 $ , $ d1 + c1 + a2 $ , $ d1 + c1 + a3 $ , $ d1 + c2 + b1 + a4 $ , $ d1 + c2 + b1 + a5 $ , $ d1 + c2 + b1 + a6 $ , $ d1 + c2 + b1 + a7 $ , $ d1 + c2 + b1 + a8 $ , $ d1 + c2 + b2 + a9 $ , $ d1 + c2 + b2 + a10 $ , $ d1 + c2 + b2 + a11  \leq 15$

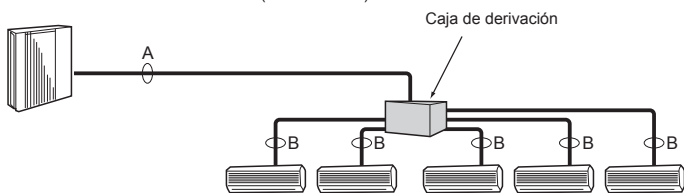
\*2: La caja de derivación debería colocarse dentro del nivel entre la unidad exterior y las unidades interiores.

\*3: Si se ha conectado una unidad de Cilindro o una unidad Hydrobox, la longitud máxima de la tubería es de 150 m.

## 4. Instalación de los tubos del refrigerante

### ■ En caso de utilizar una caja de 1 derivación

Conexión abocardada utilizada. (Sin soldadura)



### ■ En caso de utilizar cajas de 2 derivaciones

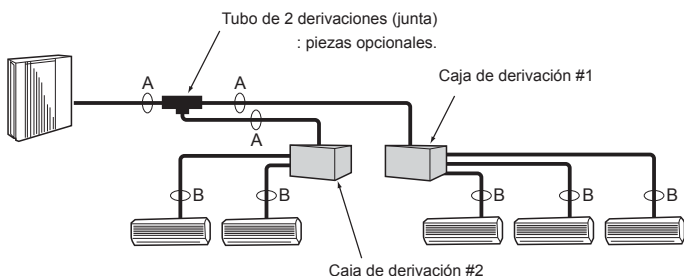


Fig. 4-4

(1) Tamaño de la válvula de la unidad interior

Para líquido	ø9,52 mm
Para gas	ø15,88 mm

(2) Tamaño de la válvula para la caja de derivación

UNIDAD	Tubo de líquido	Tubo de gas
Ⓐ UNIDAD	ø6,35 mm	ø9,52 mm
Ⓑ UNIDAD	ø6,35 mm	ø9,52 mm
Ⓒ UNIDAD	ø6,35 mm	ø9,52 mm
Ⓓ UNIDAD	ø6,35 mm	ø9,52 mm
Ⓔ UNIDAD	ø6,35 mm	ø12,7 mm

\* De tipo 3 derivaciones : sólo unidad Ⓐ, Ⓑ, Ⓒ

Fórmula de conversión

1/4 F	ø6,35
3/8 F	ø9,52
1/2 F	ø12,7
5/8 F	ø15,88
3/4 F	ø19,05

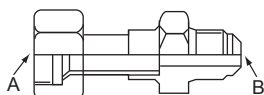


Fig. 4-5



Fig. 4-6

## 4.3. Selección del tamaño de los tubos

### 4.3.1. Conexión sin caja de derivación

Lado de gas	Tamaño de la tubería (mm)	Unidad interior		Unidad exterior
		15-50	63-140	112-140
		ø12,7	ø15,88	ø15,88
Lado de líquido	Tamaño de la tubería (mm)	ø6,35	ø9,52	ø9,52

### 4.3.2. Conexión con caja de derivación (Fig. 4-4)

	A	B
Líquido (mm)	ø9,52	El tamaño de la conexión de los tubos varía en función del tipo y la capacidad de las unidades interiores. Haga que coincida el tamaño de la conexión del tubo de la caja de derivación con la unidad interior. Si el tamaño de la conexión del tubo de la caja de derivación no coincide con el tamaño de la conexión del tubo de la unidad interior, utilice juntas opcionales de diámetro diferente (deformadas) en el lateral de la caja de derivación. (Conecte la junta deformada directamente al lateral de la caja de derivación).
Gas (mm)	ø15,88	

### Junta de diámetro diferente (piezas opcionales) (Fig. 4-5)

Nombre del modelo	Diámetro de los tubos conectados mm	Diámetro A mm	Diámetro B mm
MAC-A454JP	ø9,52 → ø12,7	ø9,52	ø12,7
MAC-A455JP	ø12,7 → ø9,52	ø12,7	ø9,52
MAC-A456JP	ø12,7 → ø15,88	ø12,7	ø15,88
PAC-493PI	ø6,35 → ø9,52	ø6,35	ø9,52
PAC-SG76RJ-E	ø9,52 → ø15,88	ø9,52	ø15,88

### Junta de diámetro diferente (piezas opcionales) (Fig. 4-6)

Nombre del modelo	Diámetro de los tubos conectados mm	Diámetro exterior A mm	Diámetro interior B mm
PAC-SG78RJB-E	ø9,52 → ø12,7	ø9,52	ø12,7
PAC-SG79RJB-E	ø12,7 → ø9,52	ø12,7	ø9,52
PAC-SG80RJB-E	ø12,7 → ø15,88	ø12,7	ø15,88
PAC-SG77RJB-E	ø6,35 → ø9,52	ø6,35	ø9,52
PAC-SG76RJB-E	ø9,52 → ø15,88	ø9,52	ø15,88

### Preparación de los tubos

① En la tabla siguiente se muestran las especificaciones de los tubos comercialmente disponibles.

Diámetro exterior mm	Grosor del aislamiento mm	Material de aislamiento
6,35	8	Plástico celular resistente al calor y gravedad específica de 0,045
9,52	8	
12,7	8	
15,88	8	

② Asegúrese de que los 2 tubos de refrigerante están aislados para evitar la condensación.

③ El radio mínimo de curvatura debe ser de 100 mm o más.

### ⚠ Cuidado:

Asegúrese de utilizar el aislamiento del grosor especificado. Si el grosor es excesivo puede que no se instalen correctamente la unidad interior y la caja de derivación; y si es insuficiente, puede provocar el goteo de rocío.

**Tubo de 2 derivaciones (Junta) : Piezas opcionales (Elija la más conveniente según el método de conexión).**

Nombre del modelo	Método de conexión
MSDD-50AR-E	abocardado
MSDD-50BR-E	soldadura

### ■ Procedimiento de instalación (Tubo de 2 derivaciones (Junta))

Consulte los manuales de instalación de MSDD-50AR-E y MSDD-50BR-E.

### ■ Tamaño del tubo (Unidad exterior-Caja de derivación)

	A Tubería de líquido	B Tubería de gas
PUMY-P112-140	ø9,52	ø15,88

### ■ Tamaño del tubo (Caja de derivación-Unidad interior)

Serie de la unidad interior	Número de modelo	A Tubería de líquido	B Tubería de gas
Serie M o serie S	15~42	ø6,35	ø9,52
	50	ø6,35	ø12,7
	60	ø6,35	ø15,88
	71~80	ø9,52	ø15,88
Serie P	35, 50 *2	ø6,35	ø12,7
	60~100	ø9,52	ø15,88
Unidad de cilindro	-	ø9,52	ø15,88
Unidad Hydrobox	-	ø9,52	ø15,88

\*1 La alineación de una unidad interior conectable depende del distrito/zona/país.  
\*2 En el caso de una unidad interior de tipo 35, 50 de la serie P, utilice la tuerca abocardada suministrada con la unidad interior. No utilice la tuerca cónica que se adjunta. Si se utiliza, puede producirse un escape de gas o incluso que se extraiga el tubo.

## 4. Instalación de los tubos del refrigerante

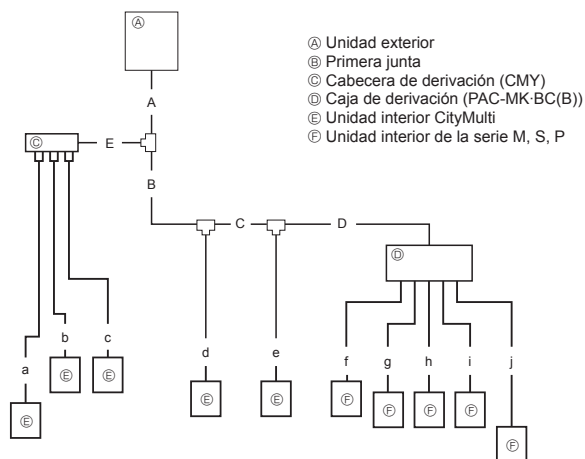


Fig. 4-7

### 4.3.3. Sistema mixto

(Unidades interiores City Multi y unidades interiores de la serie M, S, P a través de caja de derivación) (Fig. 4-7)

#### Medida del tubo

A, B, C, D, E

	A Tubería de líquido	B Tubería de gas
PUMY-P112-140	ø9,52	ø15,88

a, b, c~j

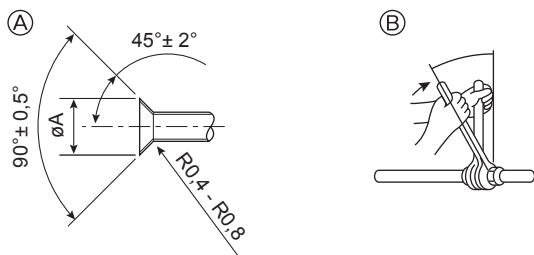
Serie de la unidad interior	Número de modelo	A Tubería de líquido	B Tubería de gas
CityMulti	15~50	ø6,35	ø12,7
	63~140	ø9,52	ø15,88
Serie M o serie S	15~42	ø6,35	ø9,52
	50	ø6,35	ø12,7
	60	ø6,35	ø15,88
	71~80	ø9,52	ø15,88
Serie P	35, 50 *1	ø6,35	ø12,7
	60~100	ø9,52	ø15,88
Unidad de cilindro Unidad Hydrobox	-	ø9,52	ø15,88

Junta de 2 derivaciones	CMY-Y62-G-E
Cabecera de 4 derivaciones	CMY-Y64-G-E
Cabecera de 8 derivaciones	CMY-Y68-G-E

\*1 En el caso de una unidad interior de tipo 35, 50 de la serie P, utilice la tuerca abocardada suministrada con la unidad interior. No utilice la tuerca cónica que se adjunta. Si se utiliza, puede producirse un escape de gas o incluso que se extraiga el tubo.



## 4. Instalación de los tubos del refrigerante



- (A) Dimensiones del corte abocinado  
(B) Torsión de apriete de la tuerca abocardada

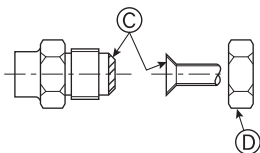


Fig. 4-8

(A) (Fig. 4-8)

Tubo de cobre O.D. (mm)	Dimensiones de abocinado dimensiones øA (mm)
ø6,35	8,7 - 9,1
ø9,52	12,8 - 13,2
ø12,7	16,2 - 16,6
ø15,88	19,3 - 19,7

(B) (Fig. 4-8)

Tubo de cobre O.D. (mm)	Tuerca de abocardado O.D. (mm)	Torsión de apriete (N·m)
ø6,35	17	14 - 18
ø6,35	22	34 - 42
ø9,52	22	34 - 42
ø12,7	26	49 - 61
ø12,7	29	68 - 82
ø15,88	29	68 - 82
ø15,88	36	100 - 120

### 4.4. Tubos de conexión (Fig. 4-8)

- Proporcione suficiente aislamiento y protección contra la condensación para evitar goteos de agua en la tubería de refrigeración. (tubería de líquido/tubería de gas)
- Incremente el aislamiento en función del entorno en el que está instalada la tubería de refrigeración, ya que podría producirse condensación en la superficie del material de aislamiento. (Material aislante Resistencia al calor: 120 °C, Grosor: 15 mm o más)
- \* Cuando la tubería de refrigerante se utiliza en ubicaciones con temperaturas elevadas y altos niveles de humedad (por ejemplo, en áticos), es posible que se requiera un mayor aislamiento.
- Para aislar la tubería de refrigerante, aplique espuma de polietileno resistente al calor entre la unidad interior y el material aislante, así como en la malla entre el material de aislamiento, rellenando todos los huecos. (La condensación en la tubería podría ocasionar condensación en la habitación o provocar quemaduras al tocarla).
- Las piezas interiores del tubo de drenaje tienen que estar envueltas en materiales aislantes de espuma de polietileno (gravedad específica de 0,03 y espesor de 9 mm o más).
- Aplique una capa delgada de aceite refrigerante a la superficie tubo y de la junta de asiento antes de apretar la tuerca de abocardado. (A)
- Utilice dos llaves de apriete para apretar las conexiones de los tubos. (B)
- Utilice un detector de fugas o agua jabonosa para comprobar posibles fugas de gas una vez realizadas las conexiones.
- Caliente el tubo de líquido y el tubo de gas y aplique una fina capa de aceite de refrigeración (aplicado directamente). (C)
- Utilice las tuercas abocardadas para el siguiente tamaño de tubería. (D)
- Cuando doble los tubos, tenga cuidado de no romperlos. Un radio de curvatura de 100 mm a 150 mm es suficiente.
- Asegúrese de que las tuberías no tocan el compresor. Podría producir ruidos o vibraciones extrañas.

- Las tuberías se deben conectar empezando por la unidad interior. Las tuercas abocardadas se deben apretar con una llave dinamométrica.
- Caliente el tubo de líquido y el tubo de gas y aplique una fina capa de aceite de refrigeración (aplicado directamente).
- Cuando utilice un sellador de tubos normal, consulte la Tabla 3 para abocardar tuberías para refrigerante R410A. Para confirmar las medidas de A se puede utilizar el ajustador del tamaño.

#### ⚠ Atención:

**Al instalar la unidad, conecte firmemente las tuberías de refrigerante antes de poner en marcha el compresor.**

\* Para conectar el KIT DE CONEXIÓN (PAC-LV11M-J), consulte el manual de instalación del mismo.

Tabla 3 (Fig. 4-9)

Tubo de cobre O.D. (mm)	A (mm)	
	Herramienta abocinada para R410A	Herramienta abocinada para R22-R407C
	Tipo gancho	
ø6,35	0 - 0,5	1,0 - 1,5
ø9,52	0 - 0,5	1,0 - 1,5
ø12,7	0 - 0,5	1,0 - 1,5
ø15,88	0 - 0,5	1,0 - 1,5
ø19,05	0 - 0,5	1,0 - 1,5

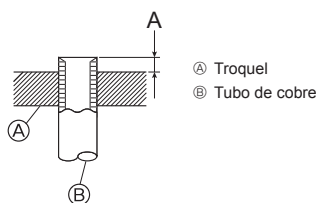
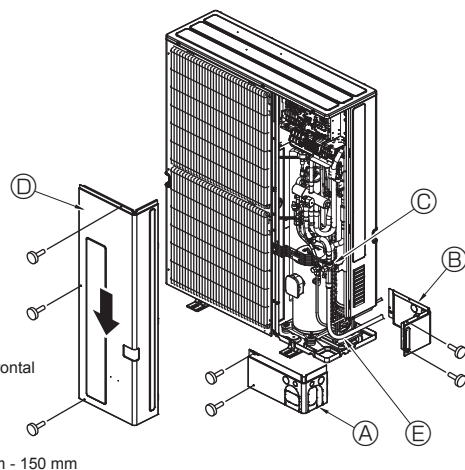


Fig. 4-9

### 4.5. Tubos de refrigerante (Fig. 4-10)

Quite el panel de servicio (D) (tres tornillos) y la cubierta de la tubería frontal (A) (dos tornillos) y cubierta de la tubería posterior (B) (dos tornillos).

- Realice las conexiones de los tubos de refrigerante de la unidad interior/exterior con la válvula de parada de la unidad exterior completamente cerrada.
- Purgue el aire del sistema por succión en la unidad interior y tubos de conexión.
- Tras conectar las tuberías de refrigerante con la unidad interior, compruebe que no haya fugas de gas. (Consulte apartado 4.6. Prueba de fuga de gas del tubo de refrigerante.)
- Aspire las líneas de refrigerante a través del puerto de reparaciones de las válvulas de parada de líquido y de gas. A continuación, abra completamente las válvulas de parada (tanto las válvulas de parada de líquido como las de gas). Esta operación le permitirá conectar completamente las líneas refrigerantes de las unidades interiores y exteriores.
  - Si deja cerradas las válvulas de parada y pone en marcha la unidad, el compresor y la válvula de control sufrirán daños.
  - Utilice un detector de fugas o jabón y agua para detectar las fugas de gas en las juntas de las conexiones de los tubos de la unidad exterior.
  - No utilice el refrigerante desde la unidad para purgar el aire de las líneas de refrigerante.
  - Tras haber realizado los trabajos en las válvulas, ajuste las tuercas de las válvulas a la presión adecuada: 20 a 25 N·m (200 a 250 kgf·cm). Si no sustituye o aprieta bien las tuercas puede provocar una fuga de refrigerante. Además, evite dañar el interior de las válvulas ya que funcionan como selladoras para evitar fugas de refrigerante.
- Utilice un sellador para proteger las conexiones de los tubos y los extremos del material aislante no se impregnen de agua.



- (A) Cubierta de la tubería frontal  
(B) Cubierta de la tubería posterior  
(C) Válvula de parada  
(D) Panel de servicio  
(E) Radio del codo: 100 mm - 150 mm

Fig. 4-10

## 4. Instalación de los tubos del refrigerante

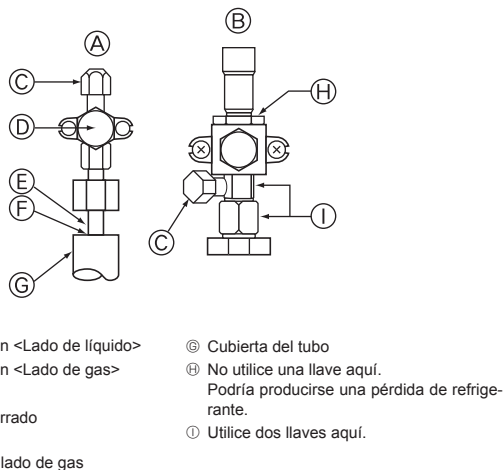


Fig. 4-11

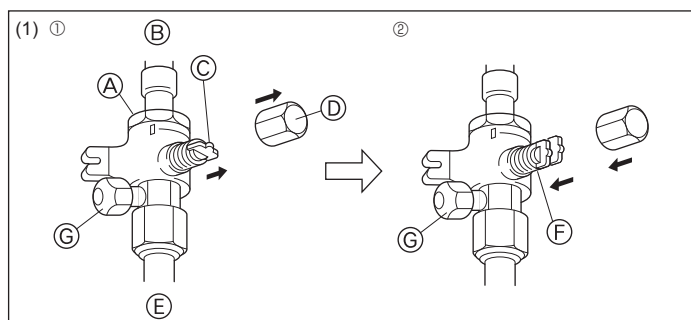


Fig. 4-12

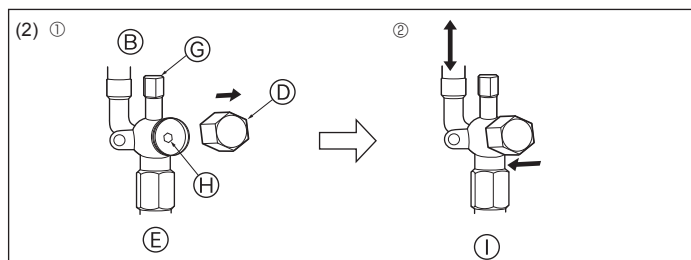


Fig. 4-13

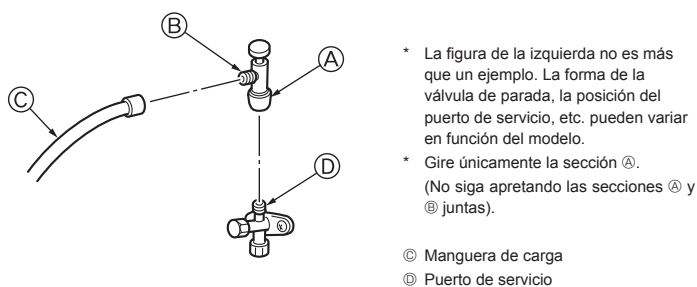


Fig. 4-14

### 4.6. Prueba de fuga de gas del tubo de refrigerante

- Conecte las herramientas para pruebas.
  - Asegúrese de que las válvulas de parada A B están cerradas y no las abra.
  - Añada presión a las líneas de refrigerante a través del puerto de reparaciones C de la válvula de parada de líquido A y de la válvula de parada del gas B.
- No añada presión al nivel especificado de golpe; hágalo poco a poco.
  - Presurice a 0,5 MPa (5 kgf/cm<sup>2</sup>G), espere cinco minutos y compruebe que la presión no se ha reducido.
  - Presurice a 1,5 MPa (15 kgf/cm<sup>2</sup>G), espere cinco minutos y compruebe que la presión no se ha reducido.
  - Presurice a 4,15 MPa (41,5 kgf/cm<sup>2</sup>G) y tome la temperatura ambiental y la presión del refrigerante.
- Si la presión especificada se mantiene estable durante un día y no se reduce, las tuberías han pasado la prueba y no existe riesgo de fugas.
  - Si la temperatura ambiental cambia 1°C, la presión variará unos 0,01 MPa (0,1 kgf/cm<sup>2</sup>G). Haga las correcciones necesarias.
- Si la presión se reduce en los pasos (2) o (3), hay una fuga de gas. Busque el punto de fuga del gas.

### 4.7. Método de apertura de la válvula de retención

- Lado del gas (Fig. 4-12)
    - Quite la tapa, tire de la manivela hacia usted y gire 1/4 de vuelta hacia la izquierda para abrir.
    - Cerciórese de que la válvula de parada esté completamente abierta, empuje la manivela y enrosque la tapa en su posición original.
  - Lado del líquido (Fig. 4-13)
    - Abra la tapa y gire la varilla de válvula hacia la izquierda hasta su tope, utilizando una llave hexagonal de 4 mm. Deje de girar cuando llega al tope. (ø6,35: Aproximadamente 4,5 revoluciones) (ø9,52: Aproximadamente 10 revoluciones)
    - Cerciórese de que la válvula de parada esté completamente abierta, empuje la manivela y enrosque la tapa en su posición original.
- A Válvula  
 B Lado de la unidad  
 C Manivela  
 D Tapa  
 E Lado del tubo local  
 F Lado de posición abierta  
 G Puerto de servicio  
 H Orificio de llave  
 I Dirección de circulación del refrigerante

Las tuberías de refrigerante están envueltas con una protección

- Los tubos se pueden envolver para su protección hasta un diámetro de ø90 antes de conectar los tubos. Corte la tapa del tubo siguiendo la guía y envuelva los tubos. Hueco de entrada de la tubería
- Utilice masilla de minio o un sellador para sellar el extremo del tubo alrededor del tubo para que no queden espacios vacíos. (Si no se tapan los vacíos, se puede producir ruido o puede entrar agua o polvo y la unidad se podría averiar.)

#### Precauciones al utilizar la válvula de carga (Fig. 4-14)

**No apriete demasiado el puerto de servicio cuando lo instale, de lo contrario, el núcleo de la válvula podría deformarse y quedar suelto, provocando fugas de gas.** Tras situar la sección ③ en la dirección deseada, gire únicamente la sección A y apriétela.

No siga apretando las secciones A y B juntas tras apretar la sección A.

## 4. Instalación de los tubos del refrigerante

### 4.8. Carga adicional de refrigerante

#### Carga adicional de refrigerante

El refrigerante para la tubería extendida no viene incluido en la unidad exterior cuando esta se envía de fábrica. Por lo tanto, cargue cada sistema de tuberías de refrigerante con refrigerante adicional en el lugar de la instalación. Además, para efectuar labores de mantenimiento, introduzca el tamaño y la longitud de cada tubería de líquido y cantidades de carga de refrigerante adicional en los espacios proporcionados en la placa de "Cantidad de refrigerante" de la unidad exterior.

#### Cálculo de la recarga adicional de refrigerante

- Calcule la carga adicional utilizando el tamaño de la tubería de líquido y la longitud de la tubería extendida.
- Para los cálculos, considere 11,2 kW como capacidad del cilindro o la unidad Hydrobox.
- Calcule la carga adicional de refrigerante siguiendo el procedimiento que se muestra a la derecha, y cargue el refrigerante adicional.
- Para cantidades inferiores a 0,1 kg, redondee hacia arriba la cantidad de refrigerante adicional calculada.  
(Por ejemplo, si la carga calculada es 6,01 kg, redondee la carga a 6,1 kg).

<Carga adicional>

#### Cálculo de la carga de refrigerante

Medida del tubo Tubería de líquido ø6,35 (m) × 19,0 (g/m)	+	Medida del tubo Tubería de líquido ø9,52 (m) × 50,0 (g/m)	+	Capacidad total de las unidades interiores conectadas	Cantidad de unidades interiores
				~ 8,0 kW	1,5 kg
				8,1 ~ 16,0 kW	2,5 kg
				16,1 kW ~	3,0 kg

#### Cantidad de refrigerante incluido cuando se envía de fábrica

Cantidad de refrigerante incluido
4,8 kg

<Ejemplo>

Modelo exterior : P125	A : ø9,52 30 m	} Con las condiciones que figuran más abajo:
Interior 1 : P63 (7,1 kW)	a : ø9,52 15 m	
2 : P40 (4,5 kW)	b : ø6,35 10 m	
3 : P25 (2,8 kW)	c : ø6,35 10 m	
4 : P20 (2,2 kW)	d : ø6,35 20 m	

La longitud total de cada conducto de líquido es la siguiente:

$$\text{ø9,52 : } A + a = 30 + 15 = 45 \text{ m}$$

$$\text{ø6,35 : } b + c + d = 10 + 10 + 20 = 40 \text{ m}$$

La capacidad total de la unidad interior conectada es la siguiente:

$$7,1 + 4,5 + 2,8 + 2,2 = 16,6$$

<Ejemplo de cálculo>

Carga adicional de refrigerante

$$40 \times \frac{19,0}{1000} + 45 \times \frac{50,0}{1000} + 3,0 = 6,1 \text{ kg (redondeado)}$$

## 5. Tubería de drenaje

#### Conexión de la tubería de drenaje con la unidad exterior

Cuando sea necesario drenar la tubería, use la toma de drenaje o la batería de drenaje (opcional).

	P112-140
Toma de drenaje	PAC-SG61DS-E
Batería de drenaje	PAC-SH97DP-E

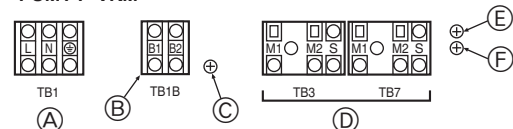
## 6. Trabajo eléctrico

### 6.1. Cuidado

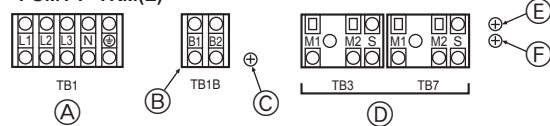
- ① Siga las ordenanzas gubernamentales en cuanto a normas técnicas relacionadas con el equipo eléctrico, las regulaciones sobre cableado y las indicaciones de cada compañía eléctrica.
- ② El cableado para control (a partir de ahora denominado línea de transmisión) debe estar (5 cm o más) aparte del cableado de la fuente de energía de manera que no le afecte el ruido eléctrico del cableado de la fuente de energía (no intercale la línea de transmisión y el cable de la fuente de energía en el mismo conducto).
- ③ Asegúrese de dar el trabajo de tierra previsto para la unidad exterior.
- ④ Dé un cierto margen al cableado para la caja eléctrica de las unidades interior y exterior, ya que la caja es retirada a veces cuando se realiza el trabajo de mantenimiento.
- ⑤ No conecte nunca la fuente principal de energía al bloque de terminal de la línea de transmisión. Si está conectado, las piezas eléctricas se quemarán.
- ⑥ Use cable blindado de dos almas para la línea de transmisión. Si las líneas de transmisión de sistemas diferentes están conectados con los mismos cables de varias almas, la pobre transmisión y recepción resultante dará lugar a funciones erróneas.
- ⑦ Únicamente la línea de transmisión especificada debería ser conectada al bloque de terminal para la transmisión de la unidad exterior.  
(La línea de transmisión que debe conectarse con la unidad interior: El bloque de terminal TB3 para la línea de transmisión, Otro: El bloque de terminal TB7 para un control centralizado)  
Una conexión errónea no permite que el sistema funcione.
- ⑧ Si se conecta con el controlador de gama alta o se efectúa un manejo en grupo en diferentes sistemas de refrigeración es necesaria la línea de control para la transmisión entre cada una de las unidades exteriores.  
Conecte esta línea de control entre los bloques de terminal para un control centralizado (línea de dos cables sin polaridad).  
Cuando se lleva a cabo un manejo en grupo en diferentes sistemas de refrigeración sin conectar al controlador de gama alta, cambie el inserto del conector de cortocircuito de CN41 de una unidad exterior a CN40.
- ⑨ El grupo se ajusta con el controlador remoto.
- ⑩ Cuando conecte el KIT DE CONEXIÓN (PAC-LV11M-J) y la unidad interior de la serie M, consulte el manual de instalación del mismo.
- ⑪ Al conectar una caja de derivación, active siempre las unidades interiores y la caja de derivación antes de activar la unidad exterior.

## 6. Trabajo eléctrico

<PUMY-P-VKM>



<PUMY-P-YKM(E)>



- A Fuente de alimentación      D Línea de transmisión  
 B Fuente de alimentación para caja de derivación      E Conexión a tierra para el bloque de terminales (TB3)  
 C Tornillo en la caja de componentes eléctricos      F Atornillar en la caja de componentes eléctricos

Fig. 6-1

### 6.2. Caja de control y posición de conexión de los cables (Fig. 6-1)

1. Conecte la línea de transmisión de la unidad interior al bloque de terminales de transmisión (TB3) o conecte el cableado entre las unidades exteriores o el del sistema de control central al bloque de terminales del control central (TB7). Si utiliza cables blindados, conecte la toma de tierra blindada de la línea de transmisión de la unidad interior al tornillo (E) y conecte la toma de tierra blindada de la línea entre las unidades exteriores y la línea de transmisión del sistema de control centralizado al terminal blindado del terminal (S) blindado del bloque de terminales del control centralizado (TB7). Además, en el caso de las unidades exteriores cuyo conector de alimentación CN41 se ha sustituido por el CN40, el terminal blindado (S) del bloque de terminales (TB7) del sistema de control central también debe conectarse al tornillo (E) utilizando el cable suministrado.
2. La caja de terminales (TB1B) suministra alimentación a la caja de derivación (220 ~ 240 VCA. máx. 6 A).
3. Asegure los cables de alimentación a la caja de terminales utilizando un manguito separador para la fuerza de tracción (conexión PG o similar).

#### ⚠ Cuidado:

**Nunca conecte la línea de transmisión de la unidad interior o de la línea de transmisión del sistema de control centralizado a esta caja de terminales (TB1B). Si se conectasen las líneas de transmisión, se podría dañar el panel de terminales de la unidad interior o del control centralizado.**

### 6.3. Tendido de cables de transmisión

#### ① Tipos de cables de control

1. Cables de transmisión del cableado
  - Tipos de cables de transmisión: Cable blindado CVVS, CPEVS o MVVS
  - Diámetro del cable: Más de 1,25 mm<sup>2</sup>
  - Longitud máxima del cable: Entre unos 200 m

#### 2. Cables del controlador remoto M-NET

Tipo de cable del controlador remoto	Cable blindado CVVS, CPEVS o MVVS
Diámetro del cable	0,5 a 1,25 mm <sup>2</sup>
Observaciones	Cuando pase de 10 m, utilice un cable con las mismas características que los cables de la línea de transmisión.

#### 3. Cables del controlador remoto MA

Tipo de cable del controlador remoto	Cable revestido de 2 núcleos (no blindado) CVV
Diámetro del cable	0,3 a 1,25 mm <sup>2</sup> (0,75 a 1,25 mm <sup>2</sup> )*
Observaciones	Entre unos 200 m

\* Conectado con controlador remoto sencillo.

#### ② Ejemplos de cables

- Nombre de los controladores, símbolo y número de controladores conectables.

Nombre	Símbolo	Número de controladores permitido	
Controlador de la unidad exterior	OC	-	
Controlador de la unidad interior	M-IC	PUMY-P112	De 1 a 9 unidades por 1 OC*1
		PUMY-P125	De 1 a 10 unidades por 1 OC*1
		PUMY-P140	De 1 a 12 unidades por 1 OC*1
	A-IC	PUMY-P112	De 2 a 8 unidades por 1 OC*1
PUMY-P125	PUMY-P140		
Caja de derivación	-	-	De 0 a 2 unidades por 1 OC
Controlador remoto	RC	M-NET RC*2	Un máximo de 12 controladores para un OC (No puede conectarse si se utiliza una caja de derivación).
		MA-RC	Un máximo de 2 por grupo

#### Nota:

- \*1. El número de unidades conectables puede quedar limitado por ciertas condiciones, tales como la capacidad de una unidad interior o el consumo equivalente de cada unidad.
- \*2. No utilice el controlador Lossnay (PZ-61DR-E, PZ-43SMF-E, PZ-52SF-E, PZ-60DR-E).

### Ejemplo de un sistema de funcionamiento en tierra con varias unidades exteriores (se requiere cable blindado y ajustes de dirección)

<Ejemplo de tendido de cables de transmisión: cuando no se utiliza una caja de derivación>

#### ■ Consulte la Fig. 6-6 desde la Fig. 6-2.

<Ajustes de dirección y del método de cableado: sin sistema de caja de derivación>

- Utilice siempre un cable blindado al realizar las conexiones entre la unidad exterior (OC) y la unidad interior (M-IC).
- Pase los cables para conectar los terminales M1 y M2 y el terminal de tierra del bloque de terminales del cable de transmisión (TB3) de cada unidad exterior (OC) a los terminales M1, M2 y S del bloque de terminales del cable de transmisión de la unidad interior (M-IC).
- Conecte los terminales 1 (M1) y 2 (M2) del bloque de terminal del cable de transmisión de la unidad interior (M-IC) cuya dirección es la más reciente del mismo grupo, al bloque de terminal del controlador remoto (M-NET RC).
- Conecte entre sí los terminales M1, M2 y S del bloque de terminales para un control centralizado (TB7) de la unidad exterior (OC).
- El conector del puente CN41 del panel de control no cambia.
- Conecte la toma de tierra blindada de la línea de transmisión de las unidades interiores al terminal blindado (S) de (TB3) y conecte el terminal (S) al tornillo (E o F) utilizando el cable suministrado.  
Conecte la toma de tierra blindada de la línea entre las unidades exteriores y la línea de transmisión del sistema de control centralizado al terminal (S) blindado de (TB7).
- Active el interruptor de ajuste de la dirección tal como se muestra más abajo.

Unidad	Campo	Cómo realizar los ajustes
M-IC (máster)	de 01 a 50	Ajuste la dirección más reciente del mismo grupo de unidades interiores (IC)
M-IC (subordinada)	de 01 a 50	Ajuste la dirección en el mismo grupo de unidades interiores (IC) que no sea el de IC (máster). IC (máster) debe ser secuencial
Unidad exterior	de 51 a 100	Ajuste la dirección más reciente de las unidades interiores en el mismo sistema de refrigeración + 50 * La dirección se establece automáticamente en "100" si se configura como "01-50".
M-NET R/C (máster)	de 101 a 150	Ajuste la dirección IC (máster) + 100
M-NET R/C (subordinada)	de 151 a 200	Ajuste la dirección IC (máster) + 150
MA R/C	-	Configuración de dirección innecesaria (Imprescindible el ajuste en principal/subordinado)

h. Ajuste diferentes unidades exteriores como un grupo del controlador remoto (M-NET RC) después de dar la corriente.

i. Cuando se conecta una unidad PWFY

- No realice los ajustes de grupo para la unidad PWFY y las unidades interior.
- La unidad PWFY no puede funcionar al mismo tiempo que la unidad Lossnay.
- Utilice un controlador remoto WMA para la unidad PWFY.

Si desea más detalles, consulte el manual de instalación de la unidad PWFY.

j. Si conecta un cilindro o una unidad Hydrobox

- No realice los ajustes de grupo para el cilindro o la unidad Hydrobox y el resto de las unidades interiores.

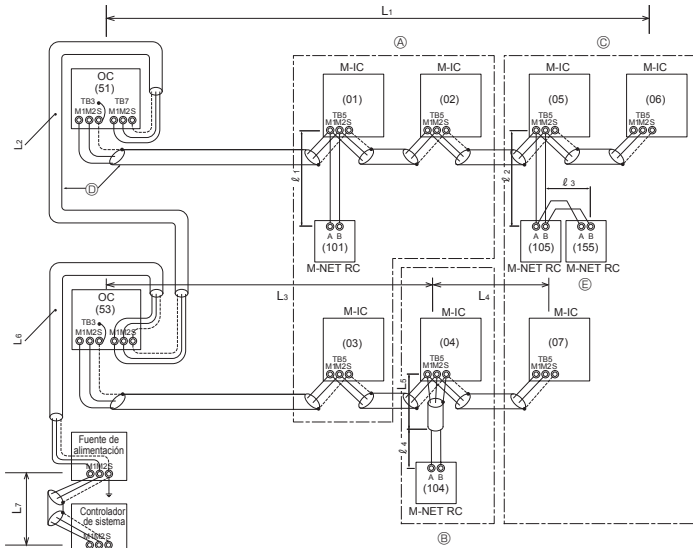
<Ajuste de dirección y del método de cableado: con sistema de caja de derivación>

Consulte el Manual de instalación de la caja de derivación

## 6. Trabajo eléctrico

<Ejemplo de tendido de cables de transmisión: Sin utilizar caja de derivación>

■ Mando a distancia M-NET



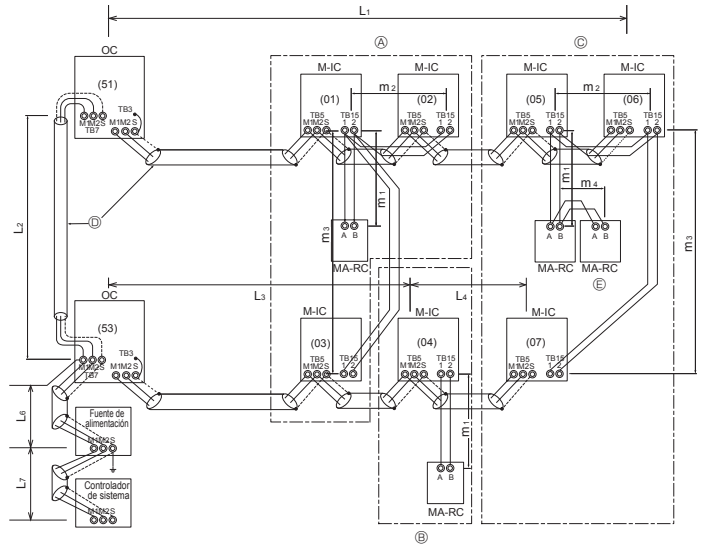
- Ⓐ : Grupo 1
- Ⓑ : Grupo 2
- Ⓒ : Grupo 3
- Ⓓ : Cable blindado
- Ⓔ : Mando a distancia secundario
- ( ) : Dirección

<Longitudes permitidas>

- Longitud máxima a través de las unidades exteriores:  $L_1 + L_2 + L_3 + L_4$  y  $L_1 + L_2 + L_3 + L_5$  y  $L_1 + L_2 + L_6 + L_7 \leq 500$  m (1,25 mm<sup>2</sup> o más)
  - Máxima longitud del cable de transmisión:  $L_1$  y  $L_3 + L_4$  y  $L_3 + L_5$  y  $L_2 + L_6$  y  $L_7 \leq 200$  m (1,25 mm<sup>2</sup> o más)
  - Longitud del cable del mando a distancia:  $l_1$ ,  $l_2$ ,  $l_2 + l_3$ ,  $l_4 \leq 10$  m (de 0,5 a 1,25 mm<sup>2</sup>)
- Si la longitud es superior a 10 m, utilice un cable blindado de 1,25 mm<sup>2</sup>. La longitud de esta sección ( $L_5$ ) debería incluirse en los cálculos de la longitud máxima y la longitud total.

Fig. 6-2

■ Mando a distancia MA

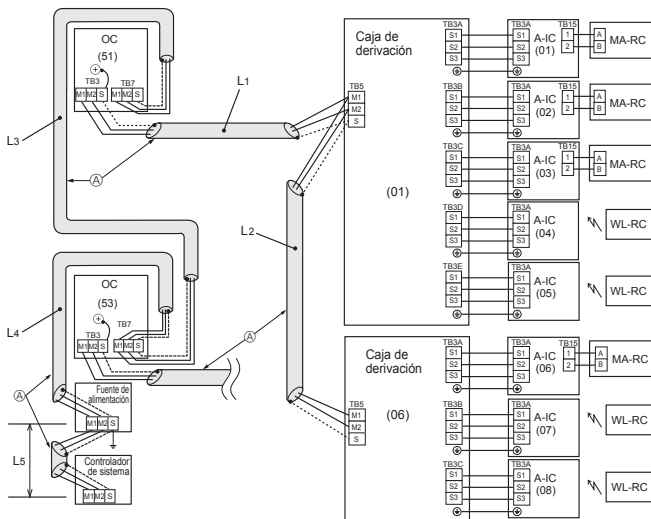


<Longitudes permitidas>

- Longitud máxima a través de la unidad exterior (cable M-NET):  $L_1 + L_2 + L_3 + L_4$  y  $L_1 + L_2 + L_6 + L_7 \leq 500$  m (1,25 mm<sup>2</sup> o más)
- Longitud máxima del cable de transmisión (cable M-NET):  $L_1$  y  $L_3 + L_4$  y  $L_2 + L_6$  y  $L_7 \leq 200$  m (1,25 mm<sup>2</sup> o más)
- Longitud del cable del mando a distancia:  $m_1$  y  $m_1 + m_2 + m_3$  y  $m_1 + m_2 + m_3 + m_4 \leq 200$  m (de 0,3 a 1,25 mm<sup>2</sup>)

Fig. 6-3

<Ejemplo de tendido de cables de transmisión: Conectar con caja de derivación>



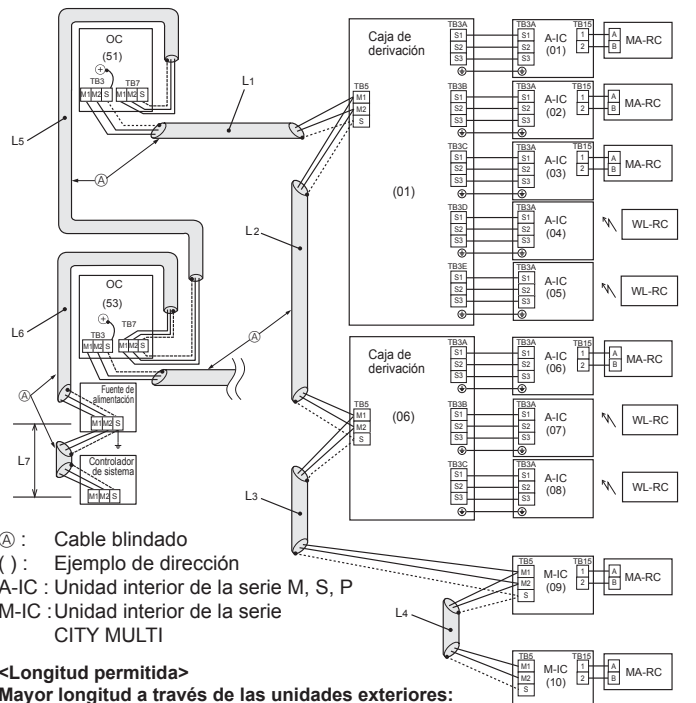
- Ⓐ : Cable blindado
- ( ) : Ejemplo de dirección
- A-IC : Unidad interior de la serie M, S, P

<Longitudes permitidas>

- Longitud máxima a través de las unidades exteriores (cable M-NET):  $L_1 + L_2 + L_3 + L_4 + L_5 \leq 500$  m (1,25 mm<sup>2</sup> o más)
- Longitud máxima del cable de transmisión (cable M-NET):  $L_1 + L_2$ ,  $L_3 + L_4$ ,  $L_5 \leq 200$  m (1,25 mm<sup>2</sup> o más)

Fig. 6-4

<Ejemplo de tendido de cables de transmisión: Sistema de mezcla>



- Ⓐ : Cable blindado
- ( ) : Ejemplo de dirección
- A-IC : Unidad interior de la serie M, S, P
- M-IC : Unidad interior de la serie CITY MULTI

<Longitud permitida>

- Mayor longitud a través de las unidades exteriores:  $L_1 + L_2 + L_3 + L_4 + L_5 + L_6 + L_7 \leq 500$  m (1640 pies) (1,25 mm<sup>2</sup> o más)
- Mayor longitud del cable de transmisión:  $L_1 + L_2 + L_3 + L_4$ ,  $L_5 + L_6$ ,  $L_7 \leq 200$  m (656 pies) (1,25 mm<sup>2</sup> o más)

Fig. 6-5

Nota:

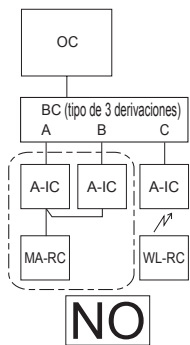
El Cilindro o la unidad Hydrobox no pueden agruparse con una unidad distinta a un Cilindro o unidad Hydrobox. Además, cuando el Cilindro o la unidad Hydrobox están conectados, no pueden utilizarse conjuntamente varias unidades exteriores.



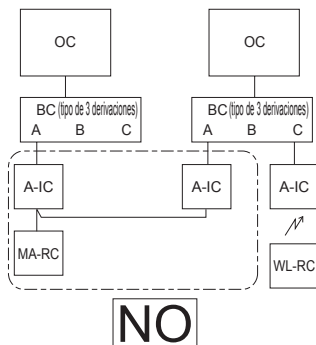
## 6. Trabajo eléctrico

<Sistemas incorrectos>

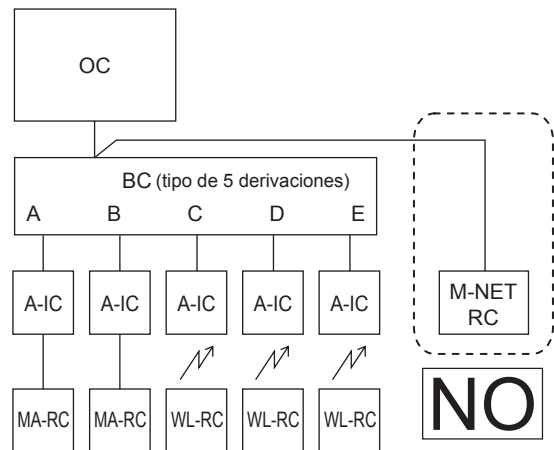
1. Funcionamiento en grupo mediante un solo mando a distancia



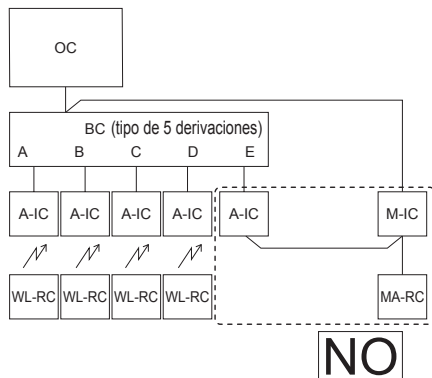
2. Funcionamiento en grupo entre distintos sistemas refrigerantes



3. Conexión del controlador remoto M-NET



4. Funcionamiento en grupo entre el sistema de control A y el sistema de control M-NET.



1. No pueden controlarse varias unidades interiores con un solo mando a distancia.
2. No pueden conectarse distintos sistemas refrigerantes entre sí.
3. No puede conectarse un mando a distancia M-NET.
4. No pueden conectarse distintos tipos de sistemas de control (A-IC/M-IC) entre sí.

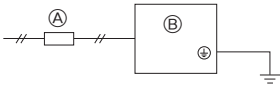
## 6. Trabajo eléctrico

### 6.4. Cableado del suministro principal de energía y capacidad del equipo

Dibujo esquemático del cableado: cuando no se utiliza una caja de derivación (ejemplo) (Fig. 6-6)

#### ■ PUMY-P-VKM4

~N 220-230-240 V 50 Hz  
~N 220-230 V 60 Hz



#### ■ PUMY-P-YKM(E)4

• YKM4  
3N~380-400-415 V 50 Hz  
3N~380 V 60 Hz  
• YKME4  
3N~380-400-415 V 50 Hz

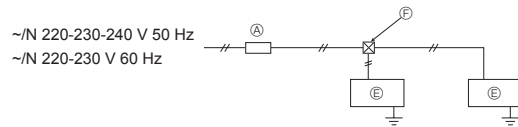
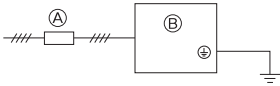


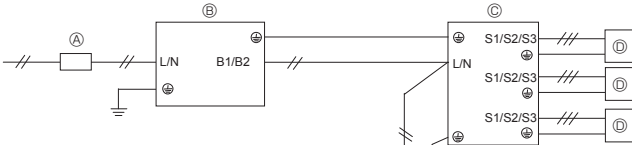
Fig. 6-6

Dibujo esquemático del cableado: cuando se utiliza una caja de derivación (ejemplo) (Fig. 6-7)

<Si la corriente eléctrica se recibe desde la unidad exterior>

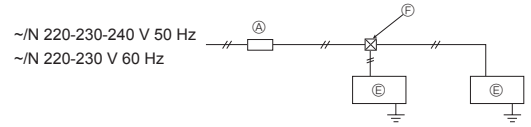
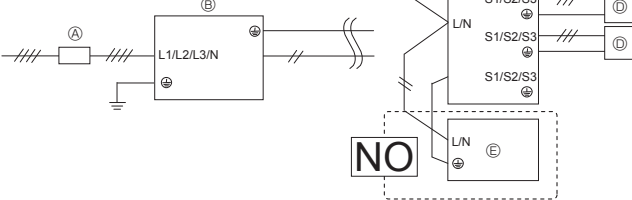
#### ■ PUMY-P-VKM4

~N 220-230-240 V 50 Hz  
~N 220-230 V 60 Hz



#### ■ PUMY-P-YKM(E)4

• YKM4  
3N~380-400-415 V 50 Hz  
3N~380 V 60 Hz  
• YKME4  
3N~380-400-415 V 50 Hz



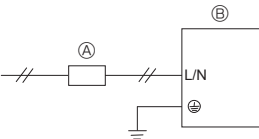
- Ⓐ Disyuntor de cable (disyuntor de fuga de tierra)
- Ⓑ Unidad exterior
- Ⓒ Caja de derivación
- Ⓓ Unidad Interna de "Control A" (Unidad interior de la serie M, S, P)
- Ⓔ Unidad interior de control M-NET (Unidad interior City Multi)
- Ⓕ Caja de derivación

\* La unidad interior de control M-NET no puede recibir la alimentación suministrada desde una unidad exterior, por lo que deberá utilizar una fuente de alimentación independiente.

<Si la corriente eléctrica se recibe por separado>

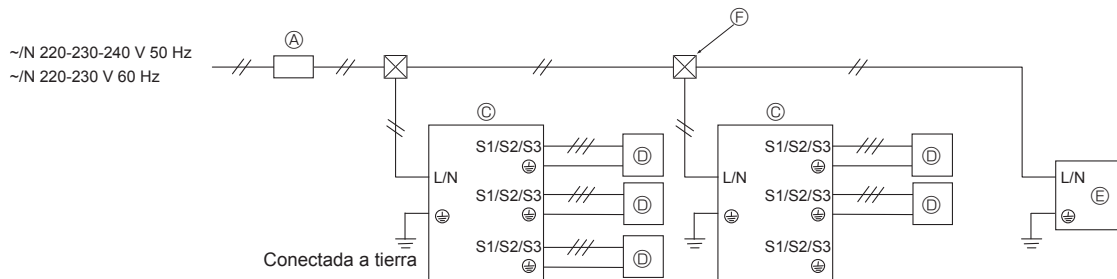
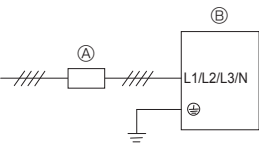
#### ■ PUMY-P-VKM4

~N 220-230-240 V 50 Hz  
~N 220-230 V 60 Hz



#### ■ PUMY-P-YKM(E)4

• YKM4  
3N~380-400-415 V 50 Hz  
3N~380 V 60 Hz  
• YKME4  
3N~380-400-415 V 50 Hz



Nota: CAJA Reactor (piezas opcionales)

Si el producto no se utiliza como equipo profesional, es posible que se necesite la CAJA Reactor.

	Método de alimentación de la caja de derivación	
	Fuente de alimentación desde la unidad exterior	Fuente de alimentación independiente
Unidad exterior	Fuente de alimentación desde la unidad exterior	Fuente de alimentación independiente
Fuente de alimentación monofásica	Innecesario	Necesario
Fuente de alimentación trifásica	Necesario	Necesario

Fig. 6-7

## 6. Trabajo eléctrico

### Área transversal del cable para suministro de energía principal y para capacidades de conexión y desconexión

<Si la corriente eléctrica se recibe por separado>

Modelo	Fuente de alimentación	Área transversal del cable mínima (mm <sup>2</sup> )			Disyuntor para cableado *1	Disyuntor para fuga de corriente	
		Cable principal	Bifurcación	Toma de tierra			
Unidad exterior	P112-140VKM4	~N 220-230-240 V 50 Hz ~N 220-230 V 60 Hz	6	-	6	32 A	32 A 30 mA 0,1 segundos o menos
	P112-140YKM4	3N~380-400-415 V 50 Hz 3N~380 V 60 Hz	1,5	-	1,5	16 A	16 A 30 mA 0,1 segundos o menos
	P112-140YKME4	3N~380-400-415 V 50 Hz					

<Si la corriente eléctrica se recibe desde la unidad exterior>

Modelo	Fuente de alimentación	Área transversal del cable mínima (mm <sup>2</sup> )			Disyuntor para cableado *1	Disyuntor para fuga de corriente	
		Cable principal	Bifurcación	Toma de tierra			
Unidad exterior	P112-140VKM4	~N 220-230-240 V 50 Hz ~N 220-230 V 60 Hz	6	-	6	40 A	40 A 30 mA 0,1 segundos o menos
	P112-140YKM4	3N~380-400-415 V 50 Hz 3N~380 V 60 Hz	2,5	-	2,5	20 A	20 A 30 mA 0,1 segundos o menos
	P112-140YKME4	3N~380-400-415 V 50 Hz					

\*1 Utilice un disyuntor automático sin fusible (NF) o disyuntor automático de fugas a tierra (NV) con una separación mínima de contacto de 3,0 mm en cada uno de los polos.

<Unidades interiores>

Intensidad de funcionamiento total de la unidad interior	Grosor mínimo del cable (mm <sup>2</sup> )			Interruptor de falta a tierra *1	Interruptor local (A)		Disyuntor para el cableado (NFB)
	Cable principal	Derivación	Tierra		Capacidad	Fusible	
F0 = 16 A o menos *2	1,5	1,5	1,5	20 A sensibilidad a la corriente *3	16	16	20
F0 = 25 A o menos *2	2,5	2,5	2,5	30 A sensibilidad a la corriente *3	25	25	30
F0 = 32 A o menos *2	4,0	4,0	4,0	40 A sensibilidad a la corriente *3	32	32	40

Aplicar a IEC61000-3-3 aproximadamente máx. impedancia permitida en el sistema.

\*1 El interruptor de falta a tierra debería servir de respaldo al circuito del convertidor.

El interruptor de falta a tierra debería combinar el uso de un disyuntor local o un disyuntor de cable.

\*2 Tome el valor que sea superior (F1 o F2) como valor para F0.

F1 = Intensidad de funcionamiento total de las unidades interiores × 1,2

F2 = {V1 × (Cantidad de tipo 1)/C} + {V1 × (Cantidad de tipo 2)/C} + {V1 × (Cantidad de tipo 3)/C} + ... + {V1 × (Cantidad de tipo 14)/C}

Conectar a una caja de derivación (PAC-MK-BC(B))

Unidad interior		V1	V2
Tipo 1	PEAD-RP-JA(L)Q, PEAD-M-JA(L), PEY-(S)P-JA	26,9	2,4
Tipo 2	SEZ-KD-VAQ(L), SEZ-M-DA(L), PCA-RP-KAQ, PCA-M-KA, PLA-ZRP-BA, PLA-RP-EA, SLZ-KF-VA2, SLZ-M-FA, PLY-(S)P-BA, SEZ-KH-VALT, PCY-(S)P-KA	19,8	
Tipo 3	MLZ-KA-VA, SLZ-KA-VAQ(L)3	9,9	
Tipo 4	MFZ-KJ-VE2, MSXY-FJ-VE, MSZ-LN-VG, MSZ-AP-VG, MLZ-KP-VF	7,4	
Tipo 5	MSZ-FH-VE, MSZ-SF-VE, MSZ-EF-VE, MSZ-SF-VA, MSZ-GF-VE, MSZ-GE-VA, MSZ-EF-VA, MSY-GE-VA, MSY-EF-VA, MSZ-FH-VA, MSY-GH-VA, MSZ-FK-VA, MSZ-GC-NA	6,8	
Tipo 6	Caja de derivación (PAC-MK-BC(B))	5,1	3,0
Tipo 7	Ecoda generación C		5,0 *5

\*5 Este valor puede aumentar si se conecta un accionador localmente.

Conectar a un Kit de conexión (PAC-LV11M-J)

Unidad interior		V1	V2
Tipo 8	MFZ-KJ-VE2	7,4	2,4
Tipo 9	MSZ-GE-VA, MSZ-SF-VA, MSZ-SF-VE, MSZ-EF-VE, MSZ-FH-VE, MSY-GE-VA, MSY-GH-VA	6,8	
Tipo 10	Kit de conexión (PAC-LV11M-J)	3,5	

Unidad interior		V1	V2
Tipo 11	PEFY-VMA(L)-E, PEFY-VMA3-E	38,0	1,6
Tipo 12	PMFY-VBM-E, PLFY-VEM-E, PLFY-VFM-E1, PEFY-VMS1(L)-E, PCFY-VKM-E, PKFY-VHM-E, PKFY-VKM-E, PFFY-VKM-E2, PFFY-VLRMM-E, PLFY-EP-VEM-E, PMFY-P-VFM-D	19,8	2,4
Tipo 13	PKFY-VBM-E	3,5	2,4
Tipo 14	PLFY-VLMD-E, PEFY-VMR-E-L/R, PDFY-VM-E, PEFY-VMH-E, PFFY-VLEM-E, PFFY-VLRM-E, PWFY-VM-E1(2)-AU, PEFY-P-VMH-E-F, GUF-RD(H)4	0,0	0,0

C : Múltiplo de la corriente de activación en un tiempo de activación de 0,01 s

Por favor, calcule la variable "C" en función del grado de activación del interruptor.

## 6. Trabajo eléctrico

<Ejemplo de cálculo para "F2">

Condición PEFY-VMS × 4 + PEFY-VMA × 1, C = 8 (consulte el gráfico de la derecha)

$$F2 = 19,8 \times 4/8 + 38 \times 1/8 = 14,65$$

→ Interruptor de 16 A (Corriente de activación = 8 × 16 A a 0,01 s)

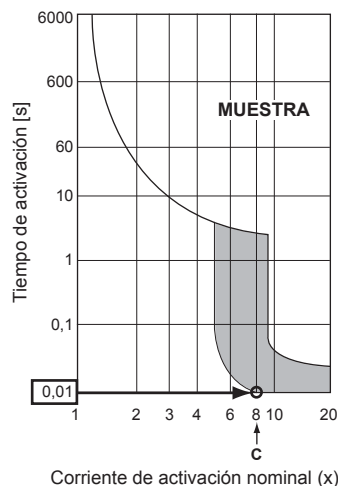
\*3 La sensibilidad de corriente se calcula mediante la siguiente fórmula.

$$G1 = V2 \times (\text{cantidad del tipo 1}) + V2 \times (\text{cantidad del tipo 2}) + V2 \times (\text{cantidad del tipo 3}) + \dots + V2 \times (\text{cantidad del tipo 14}) + V3 \times (\text{longitud de cable [km]})$$

G1	Sensibilidad de corriente
30 o menos	30 mA 0,1 s o menos
100 o menos	100 mA 0,1 s o menos

Grosor de cable	V3
1,5 mm <sup>2</sup>	48
2,5 mm <sup>2</sup>	56
4,0 mm <sup>2</sup>	66

Gráfico de muestra



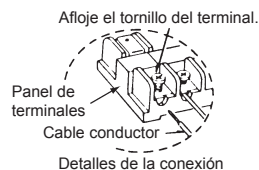
1. Tenga en cuenta las condiciones ambientales (temperatura ambiente, luz solar directa, lluvia, etc.) cuando realice el tendido de cables y las conexiones.
2. El tamaño del cable corresponde al valor mínimo para cables de conductos de metal. El cable de alimentación principal debe tener un tamaño más grande teniendo en cuenta las caídas de tensión. Asegúrese que la tensión de la alimentación principal no baje más del 10%.
3. Los requisitos específicos sobre el cableado deben adaptarse a las reglamentaciones locales.
4. Los cables de alimentación principal de los componentes de aparatos destinados al uso en la intemperie no deben ser más livianos que el cable flexible con revestimiento de policloropreno (diseño 60245 IEC57). Por ejemplo, utilice cables del tipo YZW.
5. Instale un cable de toma de tierra más largo que el resto de los cables.

### ⚠ Advertencia:

- Asegúrese de usar los cables especificados para realizar las conexiones de manera que actúa ninguna fuerza externa sobre las conexiones del terminal. Si las conexiones no están bien fijadas, se corre el riesgo de que se produzca calentamiento o un incendio.
- Asegúrese de escoger un interruptor de protección de sobrecarga adecuado. No olvide que la sobrecorriente generada puede contener pequeñas cantidades de corriente directa.
- Coloque siempre firmemente las cubiertas del bloque de terminales/el panel de la unidad exterior. Si no se fija correctamente, podría ocasionar incendios o descargas eléctricas a causa del polvo, el agua, etc.

### ⚠ Precaución:

- Procure no equivocarse al hacer las conexiones.
- Apriete bien los tornillos de los terminales para que no se aflojen.
- Una vez apretados, tire ligeramente de los cables para confirmar que no se mueven.
- Si el cable de conexión está conectado de forma incorrecta al panel de terminales, la unidad no funcionará de manera normal.
- Algunas instalaciones están hechas en sitios que requieren un disyuntor de fuga de tierra. Si no se instala un disyuntor de fuga de tierra, puede producirse un electroshock.
- Use los fusibles y el disyuntor con la capacidad correcta. Si emplea un fusible o cable con demasiada capacidad puede haber una disfunción de la unidad o incluso puede producirse un incendio.



### IMPORTANTE

Asegúrese de que el disyuntor de corriente es compatible con corrientes armónicas más altas.

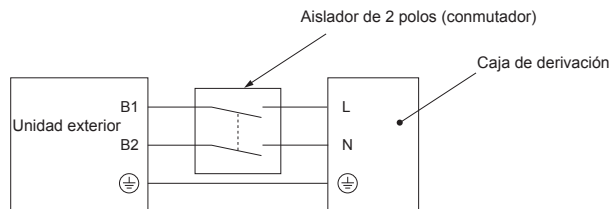
Utilice siempre un disyuntor de corriente compatible con corrientes armónicas más altas ya que esta unidad está equipada con un conmutador.

El uso de un disyuntor inadecuado puede hacer que el conmutador no funcione correctamente.

Nunca empalme el cable de alimentación o el cable de conexión de la unidad interior-exterior-caja de derivación, ya que si lo hiciera podría provocar humo, un incendio o un error de comunicación.

### ⚠ Atención:

- Desactive la fuente de alimentación principal cuando realice el mantenimiento. Y no toque los terminales B1, B2 al activar la unidad. Si es necesario utilizar un aislador entre la unidad exterior y la caja de derivación/la unidad interior y la caja de derivación, utilice el tipo de 2 polos. (Consulte la siguiente figura).



### ⚠ Cuidado:

Después de utilizar el aislador, desactive y active la fuente de alimentación principal para reiniciar el sistema. En caso contrario, es posible que la unidad exterior no pueda detectar la(s) caja(s) de derivación o las unidades interiores.

Conecte siempre la unidad exterior-caja de derivación/unidad interior-caja de derivación conectando los cables directamente a las unidades (sin conexiones intermedias).




Las conexiones intermedias pueden provocar errores de comunicación si entra agua en los cables y provoca un aislamiento insuficiente a tierra o un mal contacto eléctrico en el punto de conexión intermedia.

(Si fuera necesario utilizar una conexión intermedia, tome medidas para evitar que entre agua en los cables).

## 6. Trabajo eléctrico

### 6.5. Ajuste de dirección

Ajuste de dirección del interruptor

	Exterior	Caja de derivación				Unidad interior de la serie M, S, P	Serie CITY MULTI																																																	
		Dirección		Ajuste de conexión																																																				
Interruptor	 dígitos de las decenas    dígitos de las unidades SWU2    SWU1	 dígitos de las decenas    dígitos de las unidades SW12    SW11	A B C D E - <table border="1" style="display: inline-table; margin-right: 10px;"> <tr><td> </td><td> </td><td> </td><td> </td><td> </td><td> </td></tr> <tr><td>1</td><td>2</td><td>3</td><td>4</td><td>5</td><td>6</td></tr> </table> ON: Conexión interior OFF: Sin conexión (SW1-6 no se utiliza)								1	2	3	4	5	6	Ninguno	 dígitos de las decenas    dígitos de las unidades SW12    SW11																																						
1	2	3	4	5	6																																																			
Intervalo	51 - 100	1 - 50		-	-	1 - 50																																																		
Configuración	Unidad interior de control M o dirección de la caja de derivación +50	<ul style="list-style-type: none"> <li>De acuerdo con la dirección ajustada (por ejemplo, 01), las direcciones para las unidades interiores conectadas se ajustan secuencialmente (por ejemplo, 02, 03, 04 y 05).</li> </ul> <table border="1" style="display: inline-table; margin-right: 10px;"> <tr><td>SW1</td><td>1</td><td>2</td><td>3</td><td>4</td><td>5</td><td> </td></tr> <tr><td> </td><td>ON</td><td>ON</td><td>ON</td><td>ON</td><td>ON</td><td> </td></tr> <tr><td>Puerto</td><td>A</td><td>B</td><td>C</td><td>D</td><td>E</td><td> </td></tr> <tr><td>Dirección</td><td>01</td><td> </td><td> </td><td> </td><td> </td><td>(SW11, 12)</td></tr> <tr><td> </td><td> </td><td>02</td><td>03</td><td>04</td><td>05</td><td>(números secuenciales)</td></tr> </table>		SW1	1	2	3	4	5			ON	ON	ON	ON	ON		Puerto	A	B	C	D	E		Dirección	01					(SW11, 12)			02	03	04	05	(números secuenciales)	<ul style="list-style-type: none"> <li>Especifique si las unidades interiores están conectadas a cada puerto (A, B, C, D y E).</li> </ul> <table border="1" style="display: inline-table; margin-right: 10px;"> <tr><td>SW1</td><td>1</td><td>2</td><td>3</td><td>4</td><td>5</td><td>(6)</td></tr> <tr><td>Puerto</td><td>A</td><td>B</td><td>C</td><td>D</td><td>E</td><td>no se utiliza</td></tr> </table> <p style="margin-left: 20px;">Las unidades interiores están conectadas ON Las unidades interiores no están conectadas OFF</p>		SW1	1	2	3	4	5	(6)	Puerto	A	B	C	D	E	no se utiliza	No hay ajustes de dirección para las unidades interiores.	-
SW1	1	2	3	4	5																																																			
	ON	ON	ON	ON	ON																																																			
Puerto	A	B	C	D	E																																																			
Dirección	01					(SW11, 12)																																																		
		02	03	04	05	(números secuenciales)																																																		
SW1	1	2	3	4	5	(6)																																																		
Puerto	A	B	C	D	E	no se utiliza																																																		

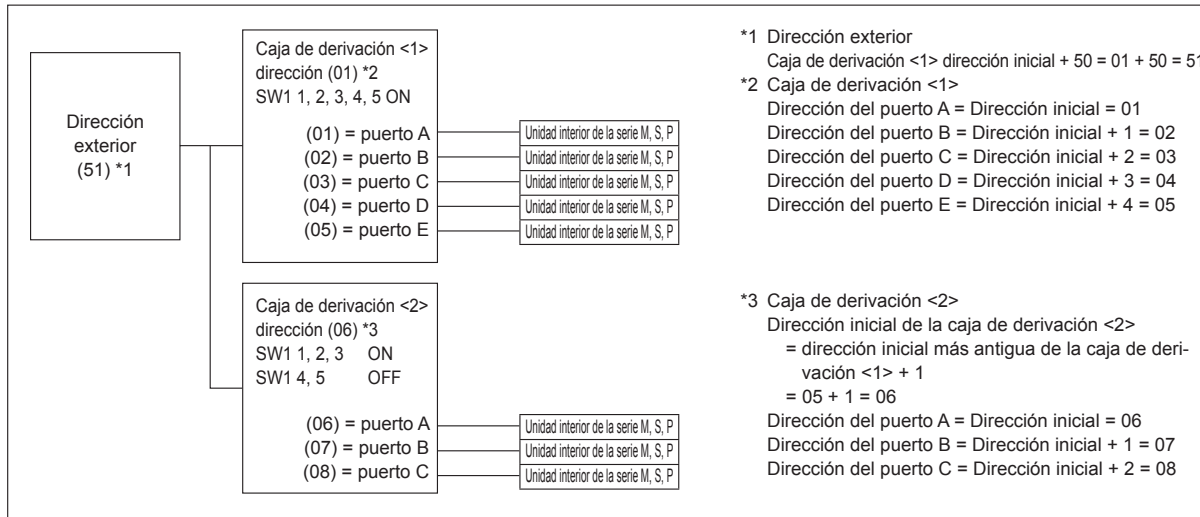
#### Nota: 1. Dirección de la caja de derivación

Cuando ajuste la dirección, utilice un número dentro del intervalo 1-50.

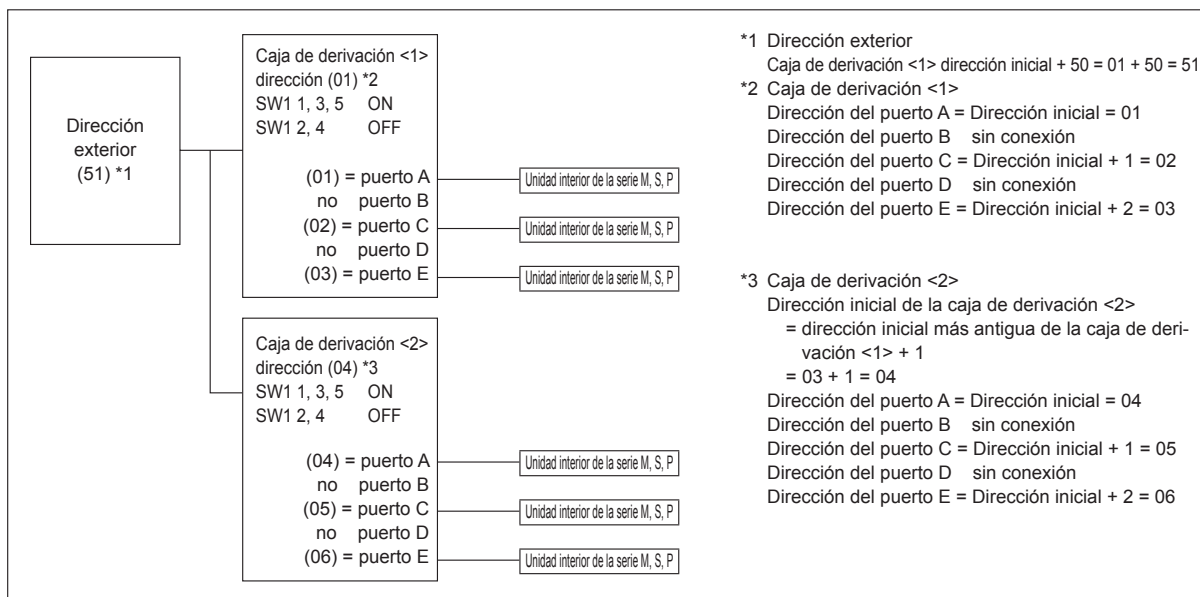
Ej. La dirección ajustada es (47) y hay 5 unidades interiores (A, B, C, D y E).

Si A: (47), B: (48), C: (49), D: (50) y E: (51), E es incorrecta porque supera 50.

Ej1. Exterior + Derivación <1> (Unidad interior de la serie M, S, P A, B, C, D, E) + Derivación <2> (Unidad interior de la serie M, S, P A, B, C)

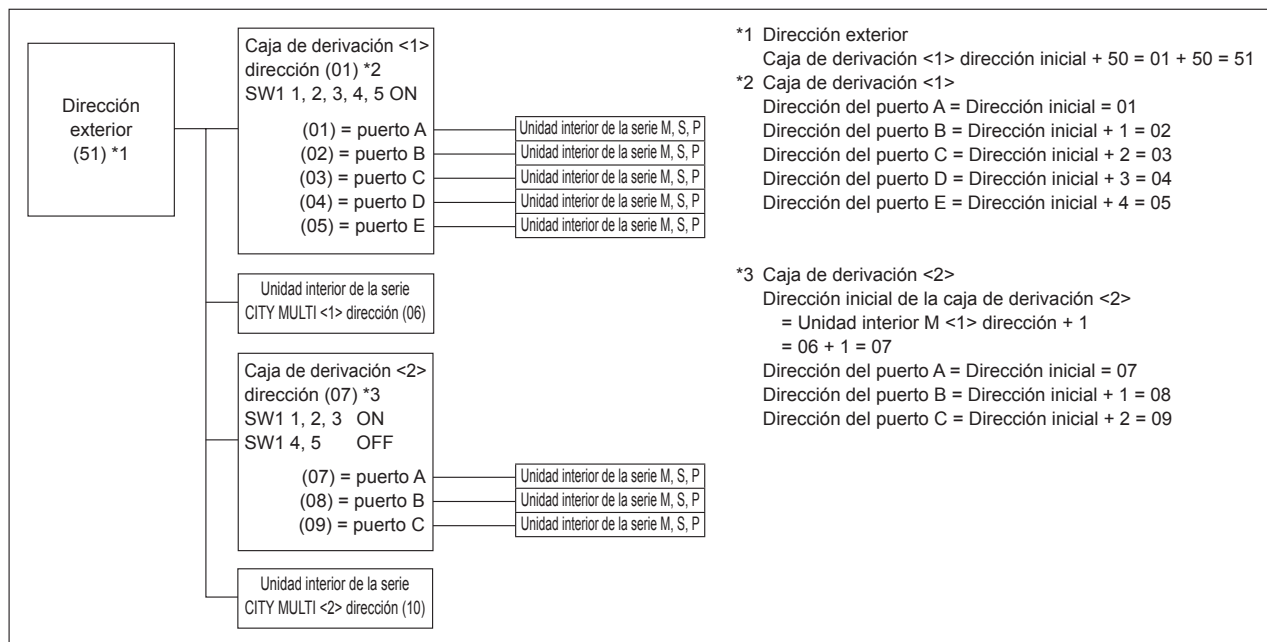


Ej2. Exterior + Derivación <1> (Unidad interior de la serie M, S, P A, C, E) + Derivación <2> (Unidad interior de la serie M, S, P A, C, E)



## 6. Trabajo eléctrico

Ej3. Exterior + Derivación <1> (Unidad interior de la serie M, S, P A, B, C, D, E) + Derivación <2> (Unidad interior de la serie M, S, P A, B, C) + Unidad interior de la serie CITY MULTI <1> + Unidad interior de la serie CITY MULTI <2>



## 7. Prueba de funcionamiento

### 7.1. Antes de realizar las pruebas

- ▶ Después de la instalación de tubos y cables en las unidades interior y exterior, compruebe que no haya escapes de refrigerante, que no se haya aflojado ni la fuente de alimentación ni el cableado de control, que la polaridad no sea errónea y que no se haya desconectado ninguna fase de la alimentación.
- ▶ Utilice un probador megaohmímetro de 500 voltios para comprobar que la resistencia entre los terminales de alimentación y la tierra es como mínimo de 1 MΩ.
- ▶ No efectúe esta prueba en los bornes de los cables de control (circuito de bajo voltaje).

⚠ **Atención:**

No utilice el aire acondicionado si la resistencia de aislamiento es inferior a 1 MΩ.

#### Resistencia del aislamiento

Después de la instalación, o después de un prolongado período de desconexión del aparato, la resistencia del aislamiento será inferior a 1 MΩ debido a la acumulación de refrigerante en el compresor. Esto no es una avería. Siga los siguientes pasos:

1. Retire los cables del compresor y mida la resistencia del aislamiento del compresor.
2. Si la resistencia del aislamiento es menor de 1 MΩ, el compresor está dañado o la resistencia ha descendido por la acumulación de refrigerante en el compresor.
3. Después de conectar los cables al compresor, éste empezará a calentarse después de volver a restablecerse el suministro de corriente. Después de restablecer la corriente según los intervalos que se detallan a continuación, vuelva a medir la resistencia del aislamiento.

- La resistencia del aislamiento se reduce debido a la acumulación de refrigerante en el compresor. La resistencia volverá a subir por encima de 1 MΩ después de que el compresor haya funcionado durante 12 horas. (El tiempo requerido para calentar el compresor varía según las condiciones atmosféricas y la acumulación de refrigerante.)
  - Para hacer funcionar un compresor con refrigerante acumulado, se debe calentar durante al menos 12 horas para evitar que se averíe.
4. Si la resistencia del aislamiento es superior a 1 MΩ, el compresor no está averiado.

⚠ **Precaución:**

- El compresor no funcionará a menos que la conexión de fase de la fuente de alimentación sea correcta.
- Conecte la corriente al menos 12 horas antes de que empiece a funcionar el equipo.
- Si se acciona inmediatamente después de haberlo conectado a la corriente, pueden producirse daños graves en las piezas internas. Mantenga la unidad conectada a la corriente durante la temporada de funcionamiento.

▶ **También debe comprobar lo siguiente.**

- La unidad exterior no está averiada. El indicador LED en el cuadro de control de la unidad exterior parpadea cuando esta está averiada.
- Tanto las válvulas de gas como las de líquido están completamente abiertas.

### 7.2. Prueba de funcionamiento

#### 7.2.1. Uso del control remoto

Consulte el manual de instalación de la unidad interior.

- Asegúrese de realizar la prueba de funcionamiento en cada unidad interior. Asegúrese de que cada unidad interior funciona correctamente siguiendo el manual de instalación que se entrega con la unidad.
- Si realiza la prueba de funcionamiento en todas las unidades interiores a la vez, no podrá detectar si existe alguna conexión errónea en los tubos del refrigerante y en los cables de conexión.
- \* El compresor no funciona durante tres minutos como mínimo después del encendido del interruptor.
- Puede que el compresor emita un ruido cuando se enciende el interruptor o en caso de que la temperatura externa del aire sea baja.
- Dependiendo de las condiciones de funcionamiento, es posible que el ventilador de la unidad exterior se detenga mientras el compresor está funcionando, pero no se trata de una avería.

#### Acerca del mecanismo de protección de la puesta en marcha

Cuando se para el compresor, se desencadena el dispositivo preventivo de puesta en marcha para que el compresor permanezca inactivo durante 3 minutos como medida de protección del aparato.

### 7.3. Recuperación de refrigerante (vaciado)

Lleve a cabo los siguientes procedimientos para recuperar el refrigerante cuando traslade la unidad interior o exterior.

- ① Desactive el disyuntor.
- ② Conecte la parte de baja presión del manómetro a la abertura de la válvula de retención de gas.
- ③ Cierre la válvula de parada de líquido.
- ④ Conecte la fuente de alimentación (disyuntor).
- \* La comunicación entre la unidad interior y la exterior se inicia aproximadamente 3 minutos después de conectar la alimentación (disyuntor). Inicie la operación de vaciado entre 3 y 4 minutos después de que se haya conectado la alimentación (disyuntor).
- ⑤ Confirme que SW3-2 esté en OFF y luego ponga SW3-1 en ON para realizar la prueba de funcionamiento de enfriamiento. El compresor (unidad exterior) y los ventiladores (unidades interior y exterior) se ponen en marcha y se inicia el funcionamiento de prueba del modo de refrigeración. Inmediatamente después de realizar la prueba de funcionamiento de enfriamiento, ponga la posición del conmutador de servicio exterior SW2-4 (conmutador de vaciado) de OFF a ON.
- \* No permita que siga funcionando durante mucho tiempo con el interruptor SW2-4 en la posición ON. Asegúrese de colocarlo en la posición OFF después de haber finalizado el vaciado.

- ⑥ Cierre por completo la válvula de parada de la tubería de gas cuando el indicador de presión descienda a 0,05 - 0,00 MPa (aproximadamente 0,5 - 0,0 kgf/cm<sup>2</sup>)
- ⑦ Detenga el funcionamiento del acondicionador de aire (SW3-1: OFF). Cambie el conmutador de servicio exterior SW2-4 de ON a OFF.
- ⑧ Desconecte la fuente de alimentación (disyuntor).
- \* Si se ha añadido demasiado refrigerante al sistema acondicionador de aire, es posible que la presión no descienda a 0,05 MPa (0,5 kgf/cm<sup>2</sup>). Si esto ocurre, utilice el recogedor de refrigerante para recoger todo el refrigerante del sistema y, a continuación, una vez que las unidades interior y exterior se hayan reubicado, vuelva a recargar el sistema con la cantidad adecuada de refrigerante.

⚠ **Atención:**

**Al realizar el vaciado del refrigerante, detenga el compresor antes de desconectar las tuberías de refrigerante. El compresor podría explotar y causar lesiones si penetrara alguna sustancia extraña, como por ejemplo aire, en el sistema.**

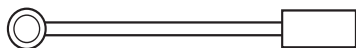
1. Misure di sicurezza.....	112	5. Installazione della tubazione di drenaggio .....	124
2. Luogo di installazione.....	114	6. Collegamenti elettrici.....	124
3. Installazione della sezione esterna .....	117	7. Prova di funzionamento.....	133
4. Installazione della tubazione del refrigerante .....	117		

## ⚠ Cautela:

- Non scaricare R410A nell'atmosfera.

## Conferma delle parti attaccate

Oltre a questo manuale, con l'unità esterna è fornito il seguente componente. È utilizzato per la messa a terra del terminale S della morsettiera di trasmissione TB7. Per i dettagli, fare riferimento a "6. Collegamenti elettrici".



Cavo di messa a terra

## 1. Misure di sicurezza

- ▶ Leggere attentamente la sezione "Misure di sicurezza" prima di far funzionare l'unità.
- ▶ Prima di collegare l'equipaggiamento alla rete di alimentazione, contattare o chiedere l'autorizzazione dell'autorità competente.
- ▶ Serie PUMY-P-VKM conforme alle norme IEC/EN 61000-3-12
- ▶ Le serie PUMY-P-VKM e PUMY-P-YKME sono state progettate per essere utilizzate nell'ambiente domestico, commerciale e dell'industria leggera.
- ▶ La serie PUMY-P-YKM è stata progettata come prodotto ad uso professionale.
- ▶ Per il collegamento di un'unità interna ATW (serie EHST20C ed EHSC) con un modello trifase, utilizzare PUMY-P-YKME4.

### ⚠ Avvertenza:

Descrive le precauzioni da prendere per evitare il rischio di lesioni, anche mortali, per l'utente.

### ⚠ Cautela:

Descrive le precauzioni da prendere per evitare il danneggiamento dell'unità.

### ⚠ Avvertenza:

- L'unità non deve essere montata dall'utente. Richiedere ad un rivenditore o ad un tecnico autorizzato di provvedere all'installazione. Un montaggio scorretto dell'unità può essere causa di perdite di acqua, scosse elettriche o incendi.
- Questo apparecchio deve essere utilizzato da utenti esperti o appositamente formati, per negozi, industria leggera e aziende agricole, oppure da persone comuni nell'ambito di un uso commerciale.
- Per eseguire l'installazione, seguire quanto indicato nel Manuale d'installazione e utilizzare gli strumenti e i componenti dei tubi specificatamente previsti per il refrigerante R410A. Il R410A presente nel sistema a idrofluorocarburi è pressurizzato con una pressione pari a 1,6 volte quella dei refrigeranti tradizionali. L'utilizzo di componenti dei tubi non adatti al refrigerante di tipo R410A e un'installazione scorretta dell'unità possono causare lo scoppio dei tubi, provocando danni e lesioni. Inoltre, si possono verificare perdite di acqua, scosse elettriche o incendi.
- L'unità deve essere montata conformemente alle istruzioni, riducendo al minimo il rischio di possibili danni causati da terremoti, tifoni o forti raffiche di vento. Se installata in maniera scorretta, può cadere e provocare danni e lesioni.
- Installare l'unità in maniera sicura su una struttura in grado di sostenerne il peso. Se montata su una struttura instabile, l'unità potrebbe cadere e provocare danni e lesioni.
- Nel caso il condizionatore venisse installato in un ambiente piccolo, è consigliabile prendere i dovuti accorgimenti per evitare che nella stanza, nel caso di una perdita di refrigerante, si formi una concentrazione di refrigerante superiore ai limiti di sicurezza. Per maggiori informazioni sulle misure adatte ad evitare il superamento dei limiti di concentrazione stabiliti, consultare un rivenditore. Eventuali perdite di refrigerante o il superamento dei limiti di concentrazione possono causare situazioni di pericolo imputabili alla mancanza di ossigeno nella stanza.
- In presenza di perdite di refrigerante durante il funzionamento, aerare la stanza. A contatto con una fiamma, il refrigerante può rilasciare gas tossici.
- Tutti gli interventi elettrici devono essere eseguiti da un tecnico qualificato, rispettando le normative locali e le istruzioni riportate nel presente manuale. Le unità devono essere alimentate da linee elettriche dedicate e con il voltaggio corretto; è inoltre necessario utilizzare appositi interruttori di circuito. Le linee elettriche con una capacità insufficiente o un'attività elettrica non idonee possono provocare scosse elettriche o incendi.
- Per tutti i tubi continui in rame e lega di rame, per collegare i tubi di refrigerazione, utilizzare rame fosforoso C1220. Nel caso di errato collegamento dei tubi, l'unità non sarà messa a terra correttamente, con un conseguente rischio di scossa elettrica.

Terminata l'installazione, spiegare le "Misure di sicurezza", l'uso e la manutenzione dell'unità al cliente conformemente alle informazioni riportate nel manuale d'uso ed eseguire il ciclo di prova per accertare che l'impianto funzioni normalmente. Consegnare il Manuale d'uso ed il Manuale di installazione al cliente, che li dovrà conservare e, in futuro, consegnarli ad eventuali nuovi utenti.

⚡ : Indica la necessità di collegare un componente a massa.

### ⚠ Avvertenza:

Leggere attentamente le etichette attaccate all'unità principale.

- Utilizzare esclusivamente i cablaggi specificati. I collegamenti devono essere fatti in condizioni di sicurezza, senza tensione sui connettori. Inoltre, non giuntare mai i cablaggi (se non diversamente indicato nel presente documento). La mancata osservanza di queste istruzioni può essere causa di surriscaldamento o incendio.
- Il pannello di copertura della morsettiera dell'unità esterna deve essere fissato saldamente. Se il pannello di copertura non è montato correttamente e nell'unità penetrano polvere ed umidità, vi è il rischio di scosse elettriche o di incendio.
- Durante l'installazione o il trasloco, o quando si sottopone ad assistenza il condizionatore d'aria, utilizzare solo il refrigerante specificato (R410A) per ricaricare i tubi del refrigerante. Non mescolarlo con nessun altro tipo di refrigerante e non consentire all'aria di restare all'interno dei tubi. Qualora dell'aria si mescoli con il refrigerante, potrebbe far innalzare in modo anomalo la pressione nel tubo del refrigerante, il che potrebbe provocare un'esplosione o altri pericoli. L'uso di refrigeranti diversi da quello specificato per il sistema provocherà guasti meccanici, malfunzionamenti del sistema o la rottura dell'unità. Nel peggiore dei casi, questo potrebbe impedire seriamente di garantire la messa in sicurezza del prodotto.
- Utilizzare soltanto gli accessori autorizzati dalla Mitsubishi Electric e richiedere a un rivenditore o a un tecnico autorizzato di provvedere all'installazione. Un montaggio non corretto degli accessori può causare perdite di acqua, scosse elettriche o incendi.
- Non modificare la struttura dell'unità. Per le riparazioni, consultare un rivenditore. Eventuali modifiche o riparazioni non eseguite correttamente possono provocare perdite di acqua, scosse elettriche o incendi.
- L'utente non dovrebbe mai tentare di riparare l'unità o spostarla in un'altra sede. Un montaggio scorretto dell'unità può essere causa di perdite di acqua, scosse elettriche o incendi. Per riparare o spostare il condizionatore contattare un rivenditore o un tecnico specializzato.
- Terminata l'installazione, accertarsi che non vi siano perdite di refrigerante. Eventuali perdite di refrigerante nella stanza a contatto con una fiamma possono causare la formazione di gas tossici.
- L'apparecchio deve essere installato in conformità con gli standard normativi nazionali sul cablaggio.
- Se il cavo di alimentazione è danneggiato, deve essere sostituito dal fabbricante, dal responsabile addetto all'assistenza o da personale ugualmente qualificato, in modo da scongiurare pericoli.



# 1. Misure di sicurezza

## 1.1. Prima dell'installazione

### ⚠ Cautela:

- Non utilizzare l'unità in un ambiente insolito. Se installata in zone esposte a vapore, olio volatile (compreso l'olio per macchine), gas sulfureo, in zone a elevato contenuto salino, tra cui le località marittime o in aree dove l'unità rischia di venire ricoperta dalla neve, le sue prestazioni potrebbero essere notevolmente pregiudicate e i componenti interni potrebbero essere danneggiati.
- Non installare l'unità dove si possono verificare perdite, produzione, flusso o accumulo di gas. Nel caso di accumulo di gas attorno all'unità, si possono verificare incendi ed esplosioni.
- Durante la fase di riscaldamento, l'unità esterna produce condensa. Provvedere a un apposito sistema di scarico attorno all'unità esterna nel caso questa condensa possa provocare dei danni.
- Qualora l'unità venisse installata in un ospedale o in uffici aperti al pubblico, considerare che essa potrà essere fonte di rumorosità ed interferenze con le apparecchiature elettroniche. Gli inverter, le applicazioni domestiche, le attrezzature mediche ad alta frequenza e le apparecchiature di radiocomunicazione possono provocare danni o rotture del condizionatore. Il condizionatore può anche influire sul funzionamento delle attrezzature mediche, disturbandone le prestazioni e le apparecchiature di comunicazione, pregiudicando la qualità di visualizzazione sullo schermo.

## 1.2. Prima dell'installazione (spostamento)

### ⚠ Cautela:

- Durante il trasporto delle unità, prestare estrema attenzione. L'unità pesa oltre 20 kg, quindi per poterla maneggiare sono necessarie due o più persone. Non afferrare l'unità dai nastri di imballaggio. Per estrarre l'unità dalla confezione e per spostarla indossare appositi guanti protettivi, per evitare il rischio di ferimento dei palmi delle mani o di altre parti.
- Smaltire in maniera sicura il materiale di imballaggio. Il materiale di imballaggio, tra cui i chiodi e altre parti in metallo o legno, possono causare ferite da punta o altri tipi di lesione.
- La base e gli elementi di fissaggio dell'unità esterna devono essere sottoposti a controlli periodici, accertando che non siano allentati, fessurati o danneggiati in altro modo. Se non si eliminano questi difetti, l'unità può cadere e causare danni e lesioni.
- Non pulire il condizionatore con acqua. Rischio di scossa elettrica.
- Stringere tutti i dadi svasati utilizzando una chiave dinamometrica. Se stretto troppo, il dado svasato dopo un periodo prolungato si può rompere, causando una perdita di refrigerante.

## 1.3. Prima dell'esecuzione degli interventi elettrici

### ⚠ Cautela:

- Accertarsi di aver installato gli interruttori di circuito. In caso contrario, esiste il rischio di scossa elettrica.
- Per le linee di alimentazione utilizzare cavi standard di capacità sufficiente. In caso contrario, rischio di cortocircuito, surriscaldamento o incendio.
- Durante l'installazione delle linee di alimentazione, non mettere i cavi sotto tensione. In presenza di connessioni lente, i cavi possono fuoriuscire e rompersi, causando surriscaldamento o incendio.
- Mettere a terra l'unità. Non collegare il cavo di messa a terra alle linee del gas o dell'acqua, ai parafulmini o alle linee di messa a terra telefoniche. Se non messa a terra correttamente, l'unità può causare scosse elettriche.
- Usare interruttori di circuito (interruttore di guasti a terra, sezionatore (fusibile +B) e interruttore di circuito a corpo sagomato) con la capacità specificata. Una capacità dell'interruttore di circuito superiore a quella specificata può causare guasti o incendi.

## 1.4. Prima di iniziare il ciclo di prova

### ⚠ Cautela:

- Azionare l'interruttore principale almeno 12 ore prima di avviare l'impianto. L'avvio dell'impianto immediatamente dopo l'azionamento dell'interruttore principale può danneggiare gravemente le parti interne. Mantenere l'interruttore principale azionato per l'intera stagione operativa.
- Prima di avviare l'impianto, accertarsi che tutti i pannelli, le protezioni ed altri elementi di sicurezza siano installati correttamente. Gli elementi rotanti, caldi o ad alta tensione possono provocare lesioni.
- Non toccare nessun interruttore con le mani umide. Rischio di scossa elettrica.
- Non toccare i tubi del refrigerante a mani nude durante il funzionamento. I tubi del refrigerante possono essere estremamente caldi o freddi, secondo le condizioni del flusso del refrigerante. Il contatto con i tubi può quindi provocare ustioni o congelamento.
- A funzionamento terminato, attendere almeno cinque minuti prima di spegnere l'interruttore principale. Diversamente, si possono verificare perdite di acqua o guasti.

## 1.5. Utilizzo dei condizionatori caricati con refrigerante R410A

### ⚠ Cautela:

- Per tutti i tubi continui in rame e lega di rame, per collegare i tubi di refrigerazione, utilizzare rame fosforoso C1220. Accertarsi che le parti interne dei tubi siano pulite e che non contengano agenti contaminanti dannosi, tra cui composti sulfurei, ossidanti, detriti o polvere. Usare tubi dello spessore specificato. (Vedere a pag. 117) Nel caso si intenda riutilizzare i tubi già esistenti con i quali sia stato utilizzato il refrigerante R22, notare quanto segue.
- Non utilizzare altri refrigeranti diversi dal tipo R410A. Utilizzando un refrigerante diverso, il cloro provoca un deterioramento dell'olio.
- Per il refrigerante R410A, usare i seguenti strumenti appositi. Con il refrigerante R410A sono richiesti i seguenti strumenti. Per qualsiasi informazione aggiuntiva, contattare il rivenditore più vicino.

- Sostituire i dadi svasati presenti e svasare nuovamente le sezioni svasate.
- Non utilizzare tubi sottili. (Vedere a pag. 117)
- Conservare i tubi da utilizzare durante l'installazione in un ambiente chiuso e mantenere sigillate entrambe le estremità dei tubi fino a poco prima di procedere con la brasatura. (Lasciare le giunzioni a gomito ecc. nella confezione). La presenza di polvere, detriti o umidità nelle linee dei refrigeranti, può causare il deterioramento dell'olio e guastare il compressore.
- Come olio di refrigerazione da applicare alle sezioni svasate, usare olio eterico, eterico, olio di alchilbenzolo (in quantità limitate). Mescolando l'olio minerale con l'olio di refrigerazione si può provocare un deterioramento dell'olio.

Strumenti (per R410A)	
Calibro tubo	Utensile di svasatura
Tubo di caricamento	Calibro di regolazione misura
Rilevatore di perdite di gas	Adattatore pompa a vuoto
Chiave dinamometrica	Bilancia elettronica di caricamento refrigerante

- Accertarsi di utilizzare gli strumenti adatti. La presenza di polvere, detriti o umidità nelle linee dei refrigeranti, può causare il deterioramento dell'olio.
- Non utilizzare un cilindro di caricamento. L'impiego di un cilindro di caricamento può modificare la composizione del refrigerante ed abbassare il livello di efficienza.

## 2. Luogo di installazione

### 2.1. Tubazione del refrigerante

Vedere a Fig. 4-1.

### 2.2. Scelta del luogo di installazione dell'unità esterna

- Evitare i luoghi esposti alla luce solare diretta o altre fonti di calore.
- Scegliere un luogo dove il rumore emesso dall'unità non disturbi i vicini.
- Scegliere un luogo che consenta di eseguire facilmente i cablaggi ed accedere ai tubi della fonte di alimentazione e dell'unità interna.
- Evitare i luoghi dove si possono verificare perdite, produzione, flusso o accumulo di gas.
- Notare che durante il funzionamento si possono verificare perdite di acqua dall'unità.
- Scegliere un luogo piano in grado di supportare il peso e le vibrazioni dell'unità.
- Evitare di installare l'unità dove possa venire ricoperta dalla neve. Nelle zone in cui le precipitazioni nevose vengono previste in anticipo, prendere particolari precauzioni, ad esempio aumentando l'altezza di installazione o installando un cappuccio nella presa d'aria, in modo da evitare che la neve possa ostruire la presa d'aria o possa soffiare direttamente contro di essa. Questi fenomeni possono ridurre il flusso dell'aria e causare anomalie.
- Evitare i luoghi esposti agli schizzi di olio, vapore o al gas sulfureo.
- Per trasportare l'unità usare le apposite maniglie dell'unità esterna. Trasportando l'unità dal fondo, mani o dita possono rimanere schiacciate.

### 2.3. Dimensioni (Sezione esterna) (Fig. 2-1)

#### Limitazioni relative all'installazione dell'unità interna

Notare che le unità interne che è possibile collegare a questa unità esterna appartengono ai seguenti modelli.

- È possibile collegare unità interne con numeri di modello 15-140.
- Quando si utilizza la scatola di derivazione, è possibile collegare i numeri di modelli di unità interne 15-100. Fare riferimento alla tabella 1, qui di seguito, per le combinazioni possibili di ambienti e unità interne.

#### Verifica

La potenza nominale va determinata in base alla tabella riportata di seguito. Il numero di unità è limitato a quanto indicato nella tabella 2, di seguito. Per il passaggio successivo, accertarsi che la potenza nominale totale selezionata sia compresa tra 50% e 130% della potenza dell'unità esterna.

- PUMY-P112 6,3 - 16,2 kW
- PUMY-P125 7,1 - 18,2 kW
- PUMY-P140 8,0 - 20,2 kW

Tabella 1-1 Unità interne City Multi (serie P-FY)

Tipo di unità interna	P15*	P20	P25	P32	P40	P50	P63	P71	P80	P100	P125	P140
Capacità nominale (raffreddamento) (kW)	1,7	2,2	2,8	3,6	4,5	5,6	7,1	8,0	9,0	11,2	14,0	16,0

Tabella 1-2 (serie M, serie P, serie S)

Tipo di unità interna	15	20	22	25	35	42	50	60	71	80	100
Capacità nominale (raffreddamento) (kW)	1,5	2,0	2,2	2,5	3,5	4,2	5,0	6,0	7,1	8,0	10,0

Le combinazioni in cui la capacità totale di unità interne supera la capacità dell'unità esterna ridurranno la capacità di raffreddamento di ogni unità interna al di sotto della sua capacità di raffreddamento nominale. Quindi, se possibile, combinare le unità interne con un'unità esterna entro la capacità dell'unità esterna.

\* È possibile collegare 12 unità interne ad 1 unità esterna se tutte le unità interne sono modelli da P15.

### 2.4. Collegamento di un'unità PWFY

Quando si utilizza un'unità PWFY come unità interna, occorre tenere presente quanto segue, in quanto l'unità PWFY è diversa dalle altre unità interne. Non è possibile connettere un'unità PWFY all'interno della UE.

#### 2.4.1. Limitazioni relative ai collegamenti

- È possibile collegare solo 1 PWFY-P100VM-E-AU. Non è possibile collegare i modelli PWFY-P200VM-E-AU e PWFY-P100VM-E-BU.
- L'unità PWFY non deve essere l'unica unità collegata ad un'unità esterna. Selezionare un'unità esterna in modo che la capacità nominale totale delle unità interne, salvo l'unità PWFY, corrisponda al 50 - 100% della capacità dell'unità esterna.

Limiti relativi alla capacità nominale totale delle unità interne quando si collega un'unità PWFY

- PUMY-P112 (1 unità PWFY + unità non PWFY [6,3 - 12,5 kW])
- PUMY-P125 (1 unità PWFY + unità non PWFY [7,1 - 14,0 kW])
- PUMY-P140 (1 unità PWFY + unità non PWFY [8,0 - 15,5 kW])

#### 2.4.2. Specifiche dell'unità interna

- Quando si collega un'unità PWFY ad un'unità PUMY, le seguenti specifiche cambiano.
- L'unità PWFY può funzionare unicamente in modalità riscaldamento. L'unità PWFY non può funzionare nella modalità di raffreddamento. Le unità interne diverse dall'unità PWFY possono tuttavia funzionare nella modalità di raffreddamento.
- Le altre unità interne non possono funzionare mentre è in funzione l'unità PWFY.
- Il funzionamento dell'unità PWFY è prioritario. Quando l'unità PWFY è in modalità di funzionamento, le altre unità interne si arrestano.
- La temperatura impostata sul telecomando è il valore-obiettivo per la temperatura dell'acqua di scarico.

#### 2.4.3. Impostazioni dell'interruttore (Fig. 2-2)

Quando si collega un'unità PWFY ad un'unità PUMY, regolare i DIP switch SW1-1, SW4-2 ed SW4-6 dell'unità PWFY su ON.

#### 2.4.4. Ciclo di prova

Se la prova di funzionamento viene eseguita utilizzando gli interruttori dell'unità esterna, l'unità PWFY non funzionerà. Procedere alla prova di funzionamento utilizzando gli interruttori dell'unità PWFY o il telecomando.

Per informazioni sullo svolgimento della prova di funzionamento, consultare il libretto dei dati o il manuale tecnico dell'unità PWFY.

#### 2.4.5. Recupero del refrigerante (pompaggio)

Al punto ① della procedura di pompaggio, viene indicato all'utente di "far funzionare tutte le sezioni interne nella modalità di raffreddamento". Tuttavia, l'unità PWFY non funzionerà nella modalità di raffreddamento. Far funzionare nella modalità di raffreddamento tutte le unità interne salvo l'unità PWFY.

(mm)

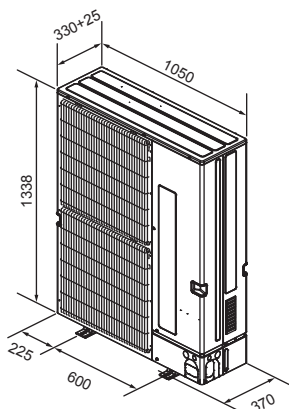


Fig. 2-1

Tabella 2 Numero di unità interne collegabili

#### • Unità interne City Multi

P112	1-9 *1
P125	1-10 *2
P140	1-12 *3

\*1 Quando si collegano unità interne serie M attraverso il kit di collegamento, è possibile collegare 10 unità interne.

\*2 Quando si collegano unità interne serie M attraverso il kit di collegamento, è possibile collegare 12 unità interne.

\*3 Quando le unità interne sono modelli P15, è possibile collegare 12 unità interne.

• Sistema scatola di derivazione (Unità interne serie M, S, P attraverso scatola di derivazione)

P112	2-8
P125	2-8
P140	2-8

• Sistema misto (Unità interne City Multi e unità interne serie M, S, P attraverso scatola di derivazione)

	Una scatola di derivazione		Due scatole di derivazione	
	Attraverso scatola di derivazione	Unità interna City Multi	Attraverso scatola di derivazione	Unità interna City Multi
P112	Max. 5	Max. 5*1	Max. 7 Max. 8	Max. 3*1 Max. 2*1
P125	Max. 5	Max. 5*1	Max. 8	Max. 3*1
P140	Max. 5	Max. 5*1	Max. 8	Max. 3*1

\*1 Le unità interne del tipo PKFY-P-VBM, PFFY-P-VKM e PFFY-P-VL\* non possono essere utilizzate in un sistema misto.

Tabella 3 Specifiche dell'unità PWFY

Modello		PWFY-P100VM-E-AU
Fascia di temp. Riscaldamento	Temp. esterna	Da -15 a 21 °C (termometro a secco), da -15 a 15 °C (termometro baghato)
	Temp. acqua ingr.	Da 10 a 45 °C
Fascia di temp. Raffreddamento	Temp. esterna	-
	Temp. acqua ingr.	-

SW1

	1	2	3	4	5	6	7	8	9	10
ON	■									

SW4

	1	2	3	4	5	6	7	8	9	10
ON		■			■					

Fig. 2-2

## 2. Luogo di installazione

### 2.5. Collegamento di un cilindro (EHST20C) o di un'unità Hydrobox (EHSC)

Quando si collega un cilindro o un'unità Hydrobox, occorre tenere presente quanto segue, in quanto il cilindro e l'unità Hydrobox sono diversi dalle altre unità interne.

#### 2.5.1. Limitazioni relative ai collegamenti

- È possibile collegare soltanto 1 cilindro (EHST20C) o 1 unità Hydrobox (EHSC). (EHST20C-MEC, serie EHST20D, serie EHPT20X, serie EHSD, EHSC-MEC, serie ERSD, serie ERSC e serie EHPX non possono essere collegati.)
- Quando si collegano sistemi Ecodan, utilizzare una scatola di derivazione PAC-MK32/52BC(B). (Non è possibile utilizzare la scatola di derivazione PAC-MK31/51BC(B)).
- Non è possibile collegare contemporaneamente unità PWFY e un cilindro o un'unità Hydrobox.
- È possibile collegare unità interne ATA\*1 con capacità nominale complessiva pari al 50% - 130% della capacità dell'unità esterna e 1 cilindro o 1 unità Hydrobox.

\*1 Unità interna ATA: Unità interna che esclude una PWFY, un'unità cilindro e un'unità Hydrobox.

PUMY-P112 1 cilindro o 1 unità Hydrobox + unità interne ATA [max 16,2 (1,3\*2) kW]

PUMY-P125 1 cilindro o 1 unità Hydrobox + unità interne ATA [max 18,2 (2,8\*2) kW]

PUMY-P140 1 cilindro o 1 unità Hydrobox + unità interne ATA [max 20,2 (4,3\*2) kW]

\*2 In caso di utilizzo di un cilindro o di un'unità Hydrobox in Modalità riscaldamento / Modalità DHW e azionamento allo stesso tempo di un'unità interna ATA.

Tuttavia, è possibile collegare le seguenti combinazioni.

· PUMY-P112: MSZ-SF15VE × 1

· PUMY-P125: MSZ-SF15VE × 2

· PUMY-P140: MSZ-SF15VE × 3

#### 2.5.2. Specifiche dell'unità interna

Quando si collega un cilindro o un'unità Hydrobox, le seguenti specifiche cambiano.

- Il cilindro o l'unità Hydrobox non possono funzionare nella modalità di raffreddamento.
- La modalità operativa del cilindro o dell'unità Hydrobox ha sempre la priorità.
- Non è possibile utilizzare la modalità operativa eco DHW.
- La temperatura massima del flusso è di 55 °C. (il DIP switch SW1-2 del cilindro o dell'unità Hydrobox deve essere posizionato su OFF.)
- Il monitoraggio dell'energia può essere utilizzato solo se è collegato un misuratore esterno.
- Non è possibile controllare più unità esterne.
- Non è possibile collegare il cilindro o l'unità Hydrobox al comando a distanza M-NET e al controllo centralizzato.
- L'interblocco della caldaia può essere utilizzato solo quando si passa alla temperatura dell'aria esterna.
- Non è possibile collegare un cilindro o un'unità Hydrobox a un'unità interna ATA.
- In caso di utilizzo di un cilindro o un'unità Hydrobox in **Modalità riscaldamento** e di azionamento allo stesso tempo di unità interne ATA, fare attenzione a quanto segue.
  - L'intervallo di temperatura per il flusso termico del cilindro e dell'unità Hydrobox è 45 °C - 55 °C.
  - Impostare l'intervallo di temperatura del flusso in base a quanto indicato nel manuale di installazione del cilindro o dell'unità Hydrobox.
  - La temperatura esterna deve essere -10 °C o superiore. Quando la temperatura esterna è inferiore a 7 °C, la temperatura del flusso e la temperatura di scarico si abbassano.
- L'utilizzo di un cilindro o di un'unità Hydrobox in **Modalità DHW** e l'azionamento allo stesso tempo di un'unità interna ATA è possibile solo se la temperatura esterna è pari o superiore a 7 °C.

Quando la temperatura esterna è inferiore a 7 °C, non possono essere azionati contemporaneamente.

#### 2.5.3. Impostazioni dell'interruttore

Quando si collega un cilindro o un'unità Hydrobox a una unità PUMY, regolare il DIP switch SW1-2 del cilindro o dell'unità Hydrobox su OFF.

#### 2.5.4. Prova di funzionamento

Eseguire la prova di funzionamento del cilindro o dell'unità Hydrobox dall'unità interna.

(Per i dettagli sulla prova di funzionamento, fare riferimento al manuale d'installazione del cilindro o dell'unità Hydrobox).

#### 2.5.5. Recupero del refrigerante (pompaggio)

Eseguire le procedure descritte al punto 7.3.

### 2.6. Collegamento di un'unità interna di solo raffreddamento

Se il sistema include una o più unità interne di solo raffreddamento, impostare l'intero sistema come sistema di raffreddamento.

Impostare le unità come indicato nella tabella 4.

Tabella 4 Procedura di impostazione per solo raffreddamento

Unità		Impostazione
Unità esterna	PUMY-P-V/YKM(E)4	DIP switch SW2-6 sulla scheda del circuito del multi-controller: ON
Scatola di derivazione	PAC-MK-BC(B)	DIP switch SW4-5 sulla scheda del circuito del controller della scatola di derivazione: ON
Unità interna	Serie CITY MULTI	DIP switch SW3-1 sulla scheda del circuito del controller dell'unità interna: ON
	Serie M, S, P	L'impostazione non è necessaria.

### 2.7. Collegamento di un'unità PEFY-P-VMA3-E

Con l'unità PEFY-P-VMA3-E, utilizzare le combinazioni indicate di seguito per le unità interne collegate.

	PUMY-P112	PUMY-P125	PUMY-P140
OK	PEFY-P25VMA3-E × 2 + PEFY-P32VMA3-E × 2	PEFY-P32VMA3-E × 4	PEFY-P32VMA3-E × 3 + PEFY-P40VMA3-E × 1
NO	Tutte le combinazioni ad eccezione di quelle indicate sopra  Es. 1: PEFY-P25VMA3-E × 2 + PEFY-P32VMA-E × 2  Es. 2: PEFY-P25VMA3-E × 2 + PEFY-P32VMA3-E × 1  Es. 3: PEFY-P32VMA3-E × 4 (Una combinazione della PUMY-P125)  Es. 4: PEFY-P25VMA3-E × 2 + PEFY-P32VMA3-E × 2 + MSZ-FH25VE × 1	Tutte le combinazioni ad eccezione di quelle indicate sopra  Es. 1: PEFY-P32VMA3-E × 3 + PEFY-P32VMA-E × 1  Es. 2: PEFY-P32VMA3-E × 3  Es. 3: PEFY-P25VMA3-E × 2 + PEFY-P32VMA3-E × 2 (Una combinazione della PUMY-P112)  Es. 4: PEFY-P32VMA3-E × 3 + PLFY-P20VFM-E × 1 + SEZ-KD25VA × 1	Tutte le combinazioni ad eccezione di quelle indicate sopra  Es. 1: PEFY-P32VMA3-E × 3 + PEFY-P40VMA-E × 1  Es. 2: PEFY-P32VMA3-E × 2 + PEFY-P40VMA3-E × 1  Es. 3: PEFY-P32VMA3-E × 4 (Una combinazione della PUMY-P125)  Es. 4: PEFY-P32VMA3-E × 3 + PCFY-P40VKM-E × 1 + MSZ-SF15VA × 1

- Es. 1: È stata selezionata un'unità a soffitto diversa dalla serie VMA3. Non sono possibili combinazioni con serie a soffitti diverse.  
Es. 2: Il numero di unità non è corretto.  
Es. 3: La combinazione è valida per un'unità di capacità diversa.  
Es. 4: La combinazione non corrisponde a una combinazione "OK".

### 2.8. Collegamento di un'unità PLFY-EP-VEM-E

Per PLFY-EP-VEM-E, è possibile collegare fino a 2 unità.

Altre unità interne\*1 possono essere collegate all'interno della capacità nominale totale e del numero massimo di unità collegate.

\*1 Ad eccezione di PEFY-P-VMA3-E e PEFY-P-VMH-EF.

## 2. Luogo di installazione

### 2.9. Ventilazione e spazio di servizio

#### 2.9.1. Installazione di un'unica unità esterna

Le dimensioni minime sono le seguenti, eccetto per i valori Max., i quali indicano le dimensioni massime.

Fare riferimento alle figure per ciascun caso.

- ① Solo ostacoli posteriori (Fig. 2-3)
- ② Solo ostacoli posteriori e superiori (Fig. 2-4)
  - \* Non utilizzare le guide per la bocca di uscita opzionale per il flusso dell'aria verso l'alto.
- ③ Solo ostacoli posteriori e laterali (Fig. 2-5)
- ④ Solo ostacoli anteriori (Fig. 2-6)
  - \* Quando si utilizza una guida opzionale di uscita aria, lo spazio è di almeno 500 mm.
- ⑤ Solo ostacoli anteriori e posteriori (Fig. 2-7)
  - \* Quando si utilizza una guida opzionale di uscita aria, lo spazio è di almeno 500 mm.
- ⑥ Solo ostacoli posteriori, laterali e superiori (Fig. 2-8)
  - \* Non utilizzare le guide per la bocca di uscita opzionale per il flusso dell'aria verso l'alto.

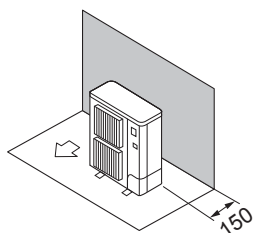


Fig. 2-3

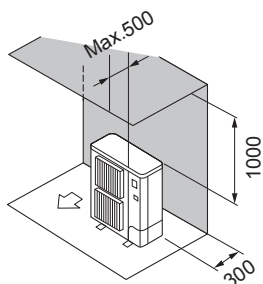


Fig. 2-4

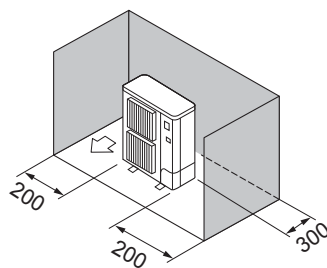


Fig. 2-5

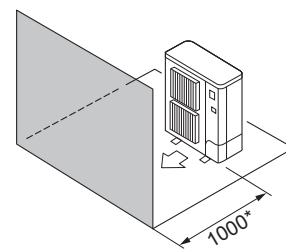


Fig. 2-6

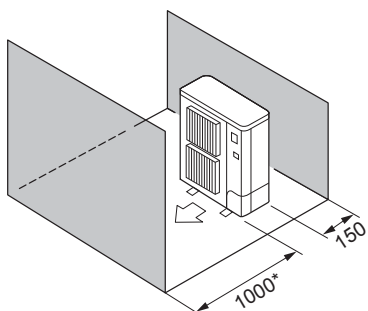


Fig. 2-7

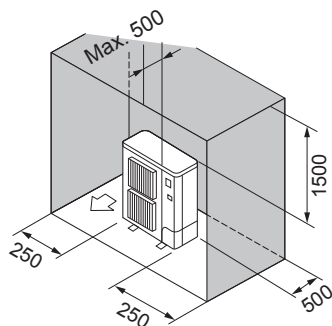


Fig. 2-8

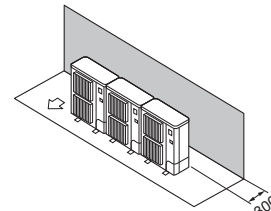


Fig. 2-9

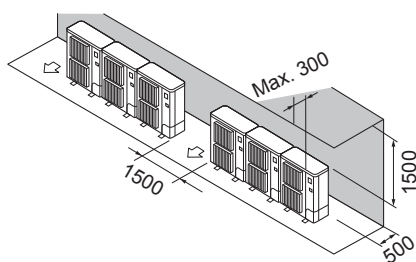


Fig. 2-10

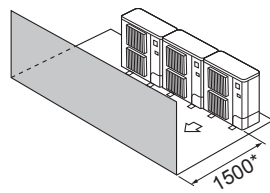


Fig. 2-11

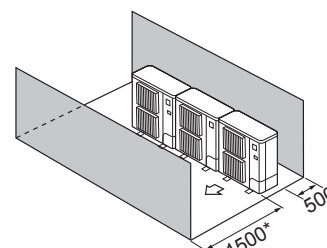


Fig. 2-12

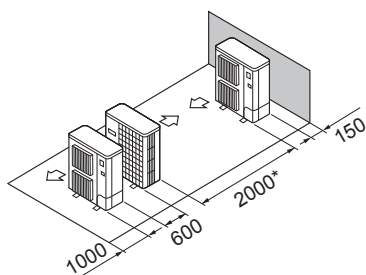


Fig. 2-13

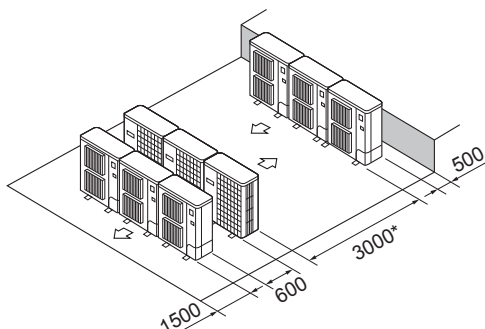


Fig. 2-14

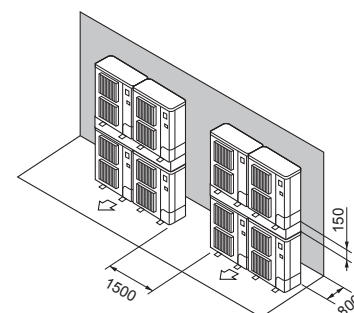


Fig. 2-15

#### 2.9.2. Installazione di diverse unità esterne

Lasciare almeno 25 mm di spazio tra le unità.

- ① Solo ostacoli posteriori (Fig. 2-9)
- ② Solo ostacoli posteriori e superiori (Fig. 2-10)
  - \* Non affiancare più di tre unità. Inoltre lasciare lo spazio indicato.
  - \* Non utilizzare le guide per la bocca di uscita opzionale per il flusso dell'aria verso l'alto.
- ③ Solo ostacoli anteriori (Fig. 2-11)
  - \* Quando si utilizza una guida opzionale di uscita aria, lo spazio è di almeno 1000 mm.
- ④ Solo ostacoli anteriori e posteriori (Fig. 2-12)
  - \* Quando si utilizza una guida opzionale di uscita aria, lo spazio è di almeno 1000 mm.
- ⑤ Disposizione di unità singole parallele (Fig. 2-13)
  - \* Nel caso si utilizzi una guida della bocca di uscita aria opzionale installata per il flusso verso l'alto, il gioco previsto è di almeno 1000 mm.
- ⑥ Disposizione di diverse unità parallele (Fig. 2-14)
  - \* Nel caso si utilizzi una guida della bocca di uscita aria opzionale, il gioco previsto è di almeno 1500 mm.
- ⑦ Disposizione unità sovrapposte (Fig. 2-15)
  - \* È consentito sovrapporre al massimo due unità.
  - \* Non affiancare più di due unità sovrapposte. Inoltre lasciare lo spazio indicato.

## 2. Luogo di installazione

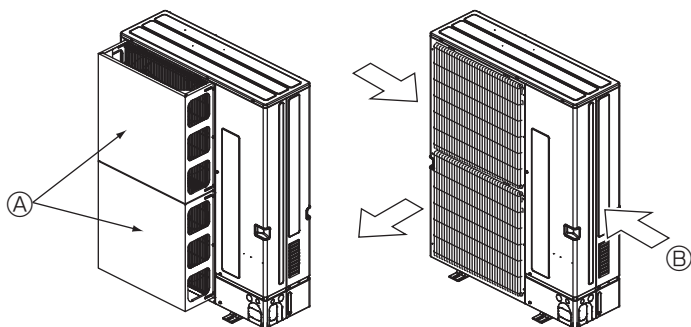


Fig. 2-16

Fig. 2-17

### 2.9.3. Installazione in una posizione ventosa

Nel caso l'unità esterna venisse montata in cima a un tetto o in un altro punto non protetto dal vento, posizionare l'uscita dell'aria dell'unità in modo da non esporla direttamente ai venti forti. Eventuali raffiche di vento, penetrando nella bocca di uscita dell'aria, possono impedire il normale flusso dell'aria e causare anomalie.

Le istruzioni riportate di seguito illustrano 2 esempi di misure di protezione dai venti forti.

① Se l'unità viene installata in luoghi in cui vi è il rischio che nell'uscita aria penetrino forti venti da tifone, ecc., installare una guida opzionale per l'aria. (Fig. 2-16)

Ⓐ Guida per l'aria

② Se possibile, posizionare l'unità in modo che la bocca di uscita soffi perpendicolarmente alla direzione del vento stagionale. (Fig. 2-17)

Ⓔ Direzione del vento

## 3. Installazione della sezione esterna

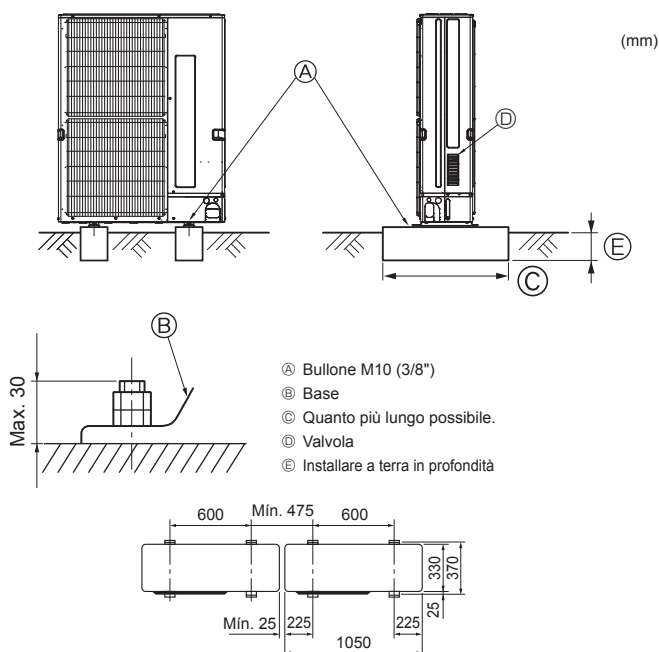


Fig. 3-1

• Assicurarsi di installare l'unità su una superficie solida e in piano, per evitare rumori di sbalzo durante il funzionamento. (Fig. 3-1)

<Specifiche delle fondamenta>

Bullone fondamenta	M10 (3/8")
Spessore del cemento	120 mm
Lunghezza del bullone	70 mm
Capacità di carico	320 kg

• Assicurarsi che la lunghezza del bullone fondamenta non superi 30 mm rispetto alla superficie inferiore della base.

• Assicurare saldamente la base dell'unità con quattro bulloni fondamenta M10 in punti sufficientemente solidi.

### Installazione dell'unità esterna

• Non bloccare la valvola. Il blocco della valvola può impedire il funzionamento dell'impianto e provocare guasti.

• Oltre alla base dell'unità, utilizzare i fori di installazione previsti sul retro dell'unità per collegare i cavi ecc., se necessario per installare l'unità. Utilizzare viti autofilettanti ( $\varnothing 5 \times 15$  mm o inferiore) ed eseguire l'installazione sul posto.

### ⚠ Avvertenza:

• L'unità deve essere installata in maniera sicura su una struttura in grado di sostenerne il peso. Se montata su una struttura instabile, l'unità potrebbe cadere e causare danni e lesioni.

• L'unità deve essere montata conformemente alle istruzioni, riducendo al minimo il rischio di possibili danni causati da terremoti, tifoni o forti raffiche di vento. Se installata in maniera scorretta, un'unità può cadere e causare danni e lesioni.

### ⚠ Attenzione:

• Installare l'unità su una struttura rigida per evitarne un'eccessiva rumorosità o eccessive vibrazioni.

## 4. Installazione della tubazione del refrigerante

### 4.1. Precauzioni per gli impianti che utilizzano il refrigerante tipo R410A

- Per ulteriori precauzioni non riportate di seguito sull'impiego dei condizionatori con refrigerante R410A, vedere a pagina 113.
- Come olio di refrigerazione da applicare alle sezioni svasate, usare olio eterico, eterico, olio di alchilbenzolo (in quantità limitate).
- Per tutti i tubi continui in rame e lega di rame, per collegare i tubi di refrigerazione, utilizzare rame fosforoso C1220. Usare i tubi del refrigerante dello spessore specificato nella tabella in basso. Accertarsi che le parti interne dei tubi siano pulite e che non contengano agenti contaminanti dannosi, tra cui composti sulfurei, ossidanti, detriti o polvere.

### ⚠ Avvertenza:

Durante l'installazione o il trasloco, o quando si sottopone ad assistenza il condizionatore d'aria, utilizzare solo il refrigerante specificato (R410A) per ricaricare i tubi del refrigerante. Non mescolarlo con nessun altro tipo di refrigerante e non consentire all'aria di restare all'interno dei tubi.

Qualora dell'aria si mescoli con il refrigerante, potrebbe far innalzare in modo anomalo la pressione nel tubo del refrigerante, il che potrebbe provocare un'esplosione o altri pericoli.

L'uso di refrigeranti diversi da quello specificato per il sistema provocherà guasti meccanici, malfunzionamenti del sistema o la rottura dell'unità. Nel peggiore dei casi, questo potrebbe impedire seriamente di garantire la messa in sicurezza del prodotto.

$\varnothing 6,35$ , $\varnothing 9,52$ , $\varnothing 12,7$	Spessore 0,8 mm
$\varnothing 15,88$	Spessore 1,0 mm

• Non utilizzare tubi più sottili di quanto specificato in precedenza.

• Gli spessori elencati nella tabella in alto sono basati sulle norme giapponesi. Utilizzare tubi dalla pressione di esercizio massima di 4,15 MPa [601 PSIG] o più elevata in funzione delle norme locali.

## 4. Installazione della tubazione del refrigerante

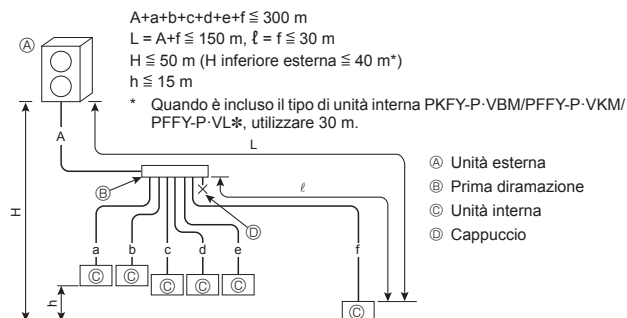
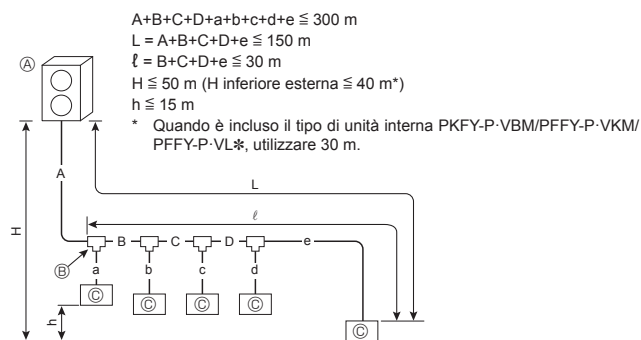


Fig. 4-1

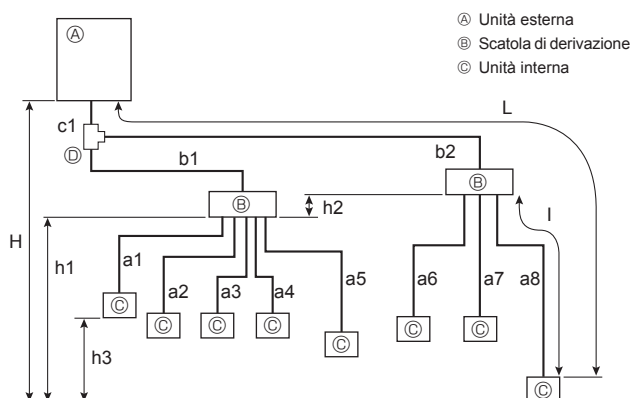


Fig. 4-2

Lunghezza ammessa (un senso)	Lunghezza tubazione totale	$c1 + b1 + b2 + a1 + a2 + a3 + a4 + a5 + a6 + a7 + a8 \leq 150$ m
	Lunghezza tubazione massima (L)	$c1 + b2 + a8 \leq 80$ m
	Lunghezza tubazione tra unità esterna e scatole di derivazione	$c1 + b1 + b2 \leq 55$ m
	Scatola di derivazione più lontana dal primo raccordo (b2)	$b2 \leq 30$ m
	Lunghezza tubazione massima dopo la scatola di derivazione (l)	$a8 \leq 25$ m
	Lunghezza tubazione totale tra scatole di derivazione e unità interne	$a1 + a2 + a3 + a4 + a5 + a6 + a7 + a8 \leq 95$ m
Differenza altezza ammessa (un senso)	In sezione interna/esterna (H)*1	$H \leq 50$ m (Nel caso in cui l'unità esterna sia collocata più in alto dell'unità interna) $H \leq 40$ m (Nel caso in cui l'unità esterna sia collocata più in basso dell'unità interna)
	In sezione scatola di derivazione/unità interna (h1)	$h1 + h2 \leq 15$ m
	In ogni unità di derivazione (h2)	$h2 \leq 15$ m
	In ogni unità interna (h3)	$h3 \leq 12$ m
Numero di curvature	$ c1 + b1 + a1 ,  c1 + b1 + a2 ,  c1 + b1 + a3 ,  c1 + b1 + a4 ,  c1 + b1 + a5 ,  c1 + b2 + a6 ,  c1 + b2 + a7 ,  c1 + b2 + a8  \leq 15$	

\*1 Collocare la scatola di derivazione ad un'altezza compresa tra quella dell'unità esterna e delle unità interne.

## 4.2. Differenza lunghezza tubo e altezza

### 4.2.1. Collegamento senza scatola di derivazione (Fig. 4-1)

A	(mm)	
	A Tubo di trasporto liquido	B Tubo di trasporto gas
PUMY-P112-140	$\varnothing 9,52$	$\varnothing 15,88$

B, C, D	(mm)	
	A Tubo di trasporto liquido	B Tubo di trasporto gas
C Potenza totale delle unità interne	$\varnothing 9,52$	$\varnothing 15,88$

a, b, c, d, e, f	(mm)	
	A Tubo di trasporto liquido	B Tubo di trasporto gas
Numero modello	$\varnothing 6,35$	$\varnothing 12,7$
15, 20, 25, 32, 40, 50	$\varnothing 9,52$	$\varnothing 15,88$
63, 80, 100, 125, 140		

E	Modello kit diramazione
	CMY-Y62-G-E

F	4-Collettore diramazione	G	8-Collettore diramazione
	CMY-Y64-G-E		CMY-Y68-G-E

\* Per il collegamento del KIT DI COLLEGAMENTO (PAC-LV11M-J) ed un'unità interna della serie M, consultare il manuale d'installazione del KIT DI COLLEGAMENTO per la scelta delle dimensioni dei tubi e la lunghezza delle tubazioni.

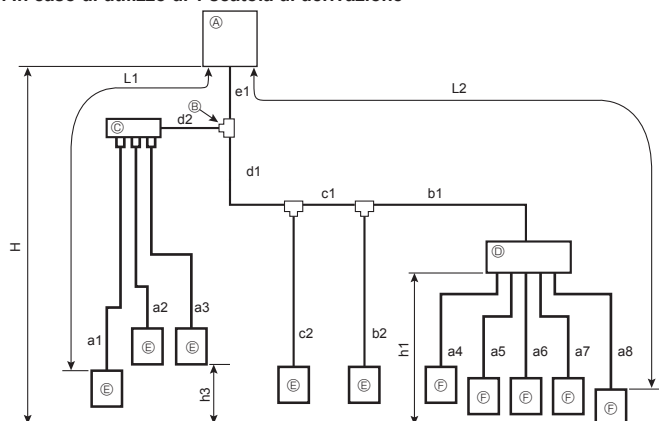
### 4.2.2. Collegamento con scatola di derivazione (Fig. 4-2)

- Questa unità è dotata di collegamenti a cartella sui lati di ogni unità interna, della scatola di derivazione e dell'unità esterna.
- Rimuovere il coperchio della valvola dell'unità esterna, quindi collegare il tubo.
- I tubi del refrigerante si usano per collegare la scatola di derivazione e l'unità esterna.

## 4. Installazione della tubazione del refrigerante

### 4.2.3. Sistema misto (Unità interne City Multi e unità interne serie M, S, P attraverso scatola di derivazione) (Fig. 4-3)

#### 1. In caso di utilizzo di 1 scatola di derivazione



- Ⓐ Unità esterna
- Ⓑ Primo raccordo
- Ⓒ Collettore di derivazione (CMY)
- Ⓓ Scatola di derivazione (PAC-MK-BC(B))
- Ⓔ Unità interna CityMulti\*
- Ⓕ Unità interna serie M, S, P, unità cilindro o unità Hydrobox
- \* Le unità interne del tipo PKFY-P-VBM, PFFY-P-VKM e PFFY-P-VL\* non possono essere utilizzate in un sistema misto.

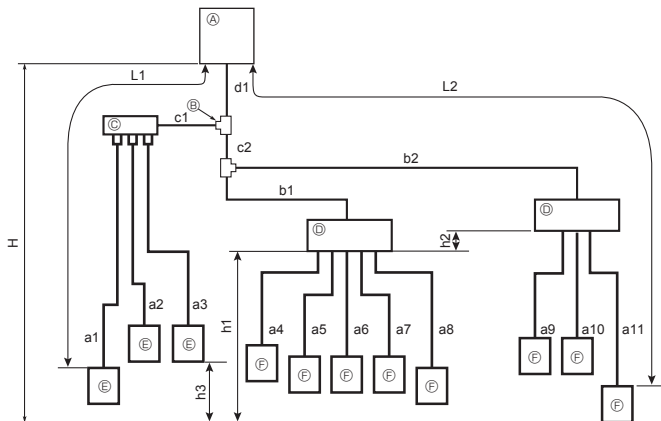
Fig. 4-3 (a)

Lunghezza ammissibile (a una via)	Lunghezza totale tubazioni	$e1 + d1 + d2 + c1 + c2 + b1 + b2 + a1 + a2 + a3 + a4 + a5 + a6 + a7 + a8 \leq 300 \text{ m}^*3$
	Lunghezza tubazioni più lontane (L1)	$e1 + d2 + a1$ oppure $e1 + d1 + c1 + b2 \leq 85 \text{ m}$
	Lunghezza tubazioni più lontane. Attraverso scatola di derivazione (L2)	$e1 + d1 + c1 + b1 + a8 \leq 80 \text{ m}$
	Lunghezza tubazioni tra unità esterna e scatola di derivazione	$e1 + d1 + c1 + b1 \leq 55 \text{ m}$
	Lunghezza tubazioni più lontane dal primo raccordo	$d1 + c1 + b1$ , $d1 + c1 + b2$ , $d1 + c2$ oppure $d2 + c1 \leq 30 \text{ m}$
	Lunghezza tubazioni più lontane dopo la scatola di derivazione	$a8 \leq 25 \text{ m}$
	Lunghezza totale tubazioni tra le scatole di derivazione e le unità interne	$a4 + a5 + a6 + a7 + a8 \leq 95 \text{ m}$
Dislivelli in altezza ammissibili (a una via)	Nella sezione interna/esterna (H) *2	$H \leq 50 \text{ m}$ (Nel caso in cui l'unità esterna si trovi ad un'altezza superiore rispetto all'unità interna) $H \leq 40 \text{ m}$ (Nel caso in cui l'unità esterna si trovi ad un'altezza inferiore rispetto all'unità interna)
	Nella sezione scatola di derivazione/unità interna (h1)	$h1 \leq 15 \text{ m}$
	In ciascuna unità interna (h3)	$h3 \leq 12 \text{ m}$
Numero di gomiti		$ e1 + d2 + a1 $ , $ e1 + d2 + a2 $ , $ e1 + d2 + a3 $ , $ e1 + d1 + c2 $ , $ e1 + d1 + c1 + b2 $ , $ e1 + d1 + c1 + b1 + a4 $ , $ e1 + d1 + c1 + b1 + a5 $ , $ e1 + d1 + c1 + b1 + a6 $ , $ e1 + d1 + c1 + b1 + a7 $ , $ e1 + d1 + c1 + b1 + a8  \leq 15$

\*2: La scatola di derivazione deve essere collocata all'interno del livello che intercorre tra l'unità esterna e le unità interne.

\*3: Per il collegamento di un'unità cilindro o un'unità Hydrobox, la lunghezza massima delle tubazioni è di 150 m.

#### 2. In caso di utilizzo di 2 scatole di derivazione



- Ⓐ Unità esterna
- Ⓑ Primo raccordo
- Ⓒ Collettore di derivazione (CMY)
- Ⓓ Scatola di derivazione (PAC-MK-BC(B))
- Ⓔ Unità interna CityMulti\*
- Ⓕ Unità interna serie M, S, P, unità cilindro o unità Hydrobox
- \* Le unità interne del tipo PKFY-P-VBM, PFFY-P-VKM e PFFY-P-VL\* non possono essere utilizzate in un sistema misto.

Fig. 4-3 (b)

Lunghezza ammissibile (a una via)	Lunghezza totale tubazioni	$d1 + c1 + c2 + b1 + b2 + a1 + a2 + a3 + a4 + a5 + a6 + a7 + a8 + a9 + a10 + a11 \leq 240 \text{ m}^*3$
	Lunghezza tubazioni più lontane (L1)	$d1 + c1 + a1 \leq 85 \text{ m}$
	Lunghezza tubazioni più lontane. Attraverso scatola di derivazione (L2)	$d1 + c2 + b2 + a11 \leq 80 \text{ m}$
	Lunghezza tubazioni tra unità esterna e scatole di derivazione	$d1 + c2 + b1 + b2 \leq 55 \text{ m}$
	Lunghezza tubazioni più lontane dal primo raccordo	$c2 + b2$ oppure $c1 + a1 \leq 30 \text{ m}$
	Lunghezza tubazioni più lontane dopo la scatola di derivazione	$a11 \leq 25 \text{ m}$
	Scatola di derivazione più lontana dall'unità esterna	$d1 + c2 + b2 \leq 55 \text{ m}$
Lunghezza totale tubazioni tra le scatole di derivazione e le unità interne	$a4 + a5 + a6 + a7 + a8 + a9 + a10 + a11 \leq 95 \text{ m}$	
Dislivelli in altezza ammissibili (a una via)	Nella sezione interna/esterna (H) *2	$H \leq 50 \text{ m}$ (Nel caso in cui l'unità esterna si trovi ad un'altezza superiore rispetto all'unità interna) $H \leq 40 \text{ m}$ (Nel caso in cui l'unità esterna si trovi ad un'altezza inferiore rispetto all'unità interna)
	Nella sezione scatola di derivazione/unità interna (h1+h2)	$h1 + h2 \leq 15 \text{ m}$
	In ciascuna unità interna (h1)	$h2 \leq 15 \text{ m}$
	In ciascuna unità interna (h3)	$h3 \leq 12 \text{ m}$
Numero di gomiti		$ d1 + c1 + a1 $ , $ d1 + c1 + a2 $ , $ d1 + c1 + a3 $ , $ d1 + c2 + b1 + a4 $ , $ d1 + c2 + b1 + a5 $ , $ d1 + c2 + b1 + a6 $ , $ d1 + c2 + b1 + a7 $ , $ d1 + c2 + b1 + a8 $ , $ d1 + c2 + b2 + a9 $ , $ d1 + c2 + b2 + a10 $ , $ d1 + c2 + b2 + a11  \leq 15$

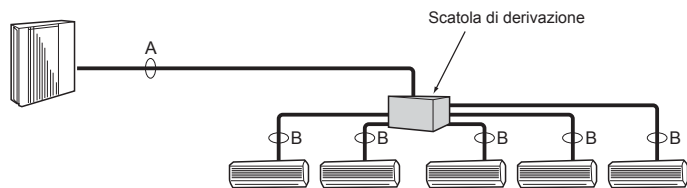
\*2: La scatola di derivazione deve essere collocata all'interno del livello che intercorre tra l'unità esterna e le unità interne.

\*3: Per il collegamento di un'unità cilindro o un'unità Hydrobox, la lunghezza massima delle tubazioni è di 150 m.

## 4. Installazione della tubazione del refrigerante

### ■ In caso di uso di una scatola a 1 derivazione

Impiegato collegamento a cartella. (Senza saldatura)



### ■ In caso di uso di scatole a 2 derivazioni

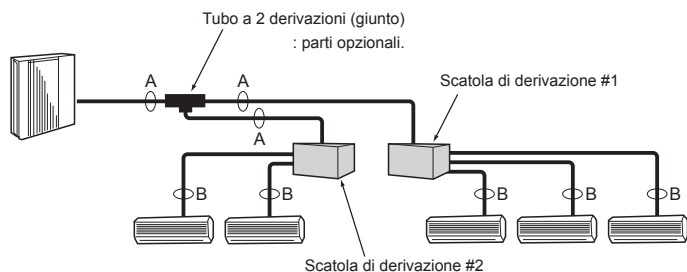


Fig. 4-4

(1) Dimensioni valvola per unità esterna

Per liquido	ø9,52 mm
Per gas	ø15,88 mm

(2) Dimensioni valvola per scatola di derivazione

UNITÀ	Tubo liquidi	Tubo gas
Ⓐ UNITÀ	ø6,35 mm	ø9,52 mm
Ⓑ UNITÀ	ø6,35 mm	ø9,52 mm
Ⓒ UNITÀ	ø6,35 mm	ø9,52 mm
Ⓓ UNITÀ	ø6,35 mm	ø9,52 mm
Ⓔ UNITÀ	ø6,35 mm	ø12,7 mm

\* Tipo a 3 derivazioni : solo unità Ⓐ, Ⓑ, Ⓒ

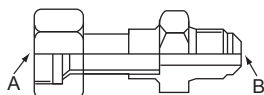


Fig. 4-5

Formula conversione

1/4 F	ø6,35
3/8 F	ø9,52
1/2 F	ø12,7
5/8 F	ø15,88
3/4 F	ø19,05

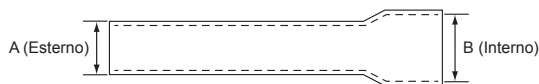


Fig. 4-6

## 4.3. Selezione delle dimensioni del tubo

### 4.3.1. Collegamento senza scatola di derivazione

		Unità interna		Unità esterna
		15-50	63-140	112-140
Lato gas	Dimensioni tubo (mm)	ø12,7	ø15,88	ø15,88
Lato liquidi	Dimensioni tubo (mm)	ø6,35	ø9,52	ø9,52

### 4.3.2. Collegamento con scatola di derivazione (Fig. 4-4)

	A	B
Liquido (mm)	ø9,52	Le dimensioni di collegamento della tubazione sono differenti in base al tipo e alla capacità delle unità interne. Far corrispondere le dimensioni di collegamento della scatola di derivazione con l'unità interna. Se le dimensioni di collegamento della tubazione della scatola di derivazione non corrispondono alle dimensioni di collegamento delle tubazioni dell'unità interna, utilizzare giunti di diametro differente opzionali (deformati) sul lato della scatola delle derivazioni. (Collegare il giunto deformato direttamente sul lato della scatola di derivazione.)
Gas (mm)	ø15,88	

### Giunto di diametro differente (parti opzionali) (Fig. 4-5)

Nome del modello	Diametro dei tubi collegati	Diametro A	Diametro B
	mm	mm	mm
MAC-A454JP	ø9,52 → ø12,7	ø9,52	ø12,7
MAC-A455JP	ø12,7 → ø9,52	ø12,7	ø9,52
MAC-A456JP	ø12,7 → ø15,88	ø12,7	ø15,88
PAC-493PI	ø6,35 → ø9,52	ø6,35	ø9,52
PAC-SG76RJ-E	ø9,52 → ø15,88	ø9,52	ø15,88

### Giunto di diametro differente (parti opzionali) (Fig. 4-6)

Nome del modello	Diametro dei tubi collegati	Diametro esterno	Diametro interno B
	mm	mm	mm
PAC-SG78RJ-E	ø9,52 → ø12,7	ø9,52	ø12,7
PAC-SG79RJ-E	ø12,7 → ø9,52	ø12,7	ø9,52
PAC-SG80RJ-E	ø12,7 → ø15,88	ø12,7	ø15,88
PAC-SG77RJ-E	ø6,35 → ø9,52	ø6,35	ø9,52
PAC-SG76RJ-E	ø9,52 → ø15,88	ø9,52	ø15,88

### Preparazione delle tubazioni

① La tabella seguente mostra i dati tecnici relativi ai tubi disponibili in commercio.

Diametro esterno	Spessore isolamento	Materiali di isolamento
mm	mm	
6,35	8	Schiuma plastica resistente al calore Gravità specifica 0,045
9,52	8	
12,7	8	
15,88	8	

② Accertarsi che i 2 tubi del refrigerante siano isolati per impedire la condensa.

③ Il raggio di piegatura del tubo del refrigerante non deve essere inferiore a 100 mm.

### ⚠ Attenzione:

Accertarsi di utilizzare l'isolamento dello spessore specificato. Uno spessore eccessivo può provocare l'installazione errata dell'unità interna e della scatola di derivazione, mentre uno spessore insufficiente può causare sgocciolamento di condensa.

**Tubo a 2 derivazioni (giunto) :** Parti opzionali (secondo il metodo di collegamento, è possibile scegliere quella preferita.)

Nome del modello	Metodo di collegamento
MSDD-50AR-E	cartella
MSDD-50BR-E	saldatura

### ■ Procedura d'installazione (tubo a 2 derivazioni (giunto))

Fare riferimento ai manuali d'installazione dell'MSDD-50AR-E e MSDD-50BR-E.

### ■ Dimensioni tubo (unità esterna-scatola di derivazione)

	A Tubo del liquido	B Tubo del gas
PUMY-P112-140	ø9,52	ø15,88

### ■ Dimensioni tubo (scatola di derivazione-unità interna)

Involucro serie M o unità interna serie S \*1

Serie unità interna	Numero modello	A Tubo del liquido	B Tubo del gas
Serie M o serie S	15~42	ø6,35	ø9,52
	50	ø6,35	ø12,7
	60	ø6,35	ø15,88
	71~80	ø9,52	ø15,88
Serie P	35, 50 *2	ø6,35	ø12,7
	60~100	ø9,52	ø15,88
Unità cilindro	-	ø9,52	ø15,88
Unità Hydrobox	-	ø9,52	ø15,88

\*1 L'allineamento di un'unità interna collegabile dipende dal distretto/area/paese.  
\*2 Con le unità interne della serie P e del tipo 35, 50, utilizzare il dado a cartella fissato all'unità interna.  
Non utilizzare il dado a cartella fornito come accessorio dell'unità interna. Se lo si utilizza, si rischia una perdita di gas o la fuoriuscita del tubo.



## 4. Installazione della tubazione del refrigerante

### 4.3.3. Sistema misto

(Unità interne City Multi e unità interne serie M, S, P attraverso scatola di derivazione) (Fig. 4-7)

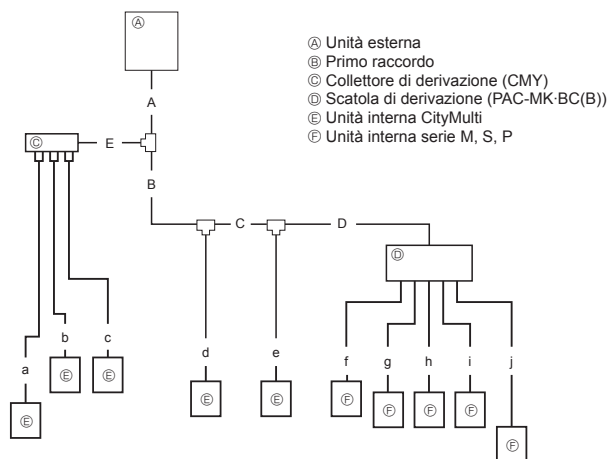


Fig. 4-7

#### Dimensioni tubo

A, B, C, D, E

	A Tubo del liquido	B Tubo del gas
PUMY-P112-140	ø9,52	ø15,88

a, b, c~j

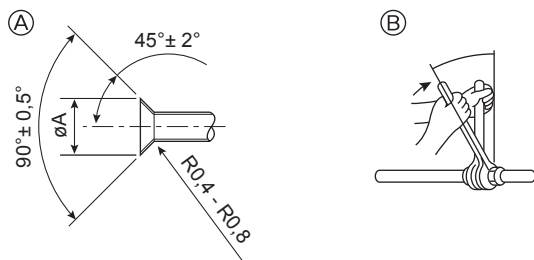
Serie unità interna	Numero modello	A Tubo del liquido	B Tubo del gas
CityMulti	15~50	ø6,35	ø12,7
	63~140	ø9,52	ø15,88
Serie M o serie S	15~42	ø6,35	ø9,52
	50	ø6,35	ø12,7
	60	ø6,35	ø15,88
	71~80	ø9,52	ø15,88
Serie P	35, 50 *1	ø6,35	ø12,7
	60~100	ø9,52	ø15,88
Unità cilindro Unità Hydrobox	—	ø9,52	ø15,88

Giunto a 2 derivazioni	CMY-Y62-G-E
Collettore a 4 derivazioni	CMY-Y64-G-E
Collettore a 8 derivazioni	CMY-Y68-G-E

\*1 Con le unità interne della serie P e del tipo 35, 50, utilizzare il dado a cartella fissato all'unità interna.

Non utilizzare il dado a cartella fornito come accessorio dell'unità interna. Se lo si utilizza, si rischia una perdita di gas o la fuoriuscita del tubo.

## 4. Installazione della tubazione del refrigerante



- Ⓐ Dimensioni di taglio per raccordo a cartella  
 Ⓑ Coppia di serraggio del dado a cartella

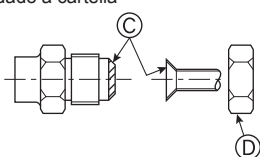


Fig. 4-8

Ⓐ (Fig. 4-8)

D.E. del tubo di rame (mm)	Dimensioni cartella dimensioni $\phi A$ (mm)
$\phi 6,35$	8,7 - 9,1
$\phi 9,52$	12,8 - 13,2
$\phi 12,7$	16,2 - 16,6
$\phi 15,88$	19,3 - 19,7

Ⓑ (Fig. 4-8)

D.E. del tubo di rame (mm)	O.D. del dado a cartella (mm)	Coppia di serraggio (N·m)
$\phi 6,35$	17	14 - 18
$\phi 6,35$	22	34 - 42
$\phi 9,52$	22	34 - 42
$\phi 12,7$	26	49 - 61
$\phi 12,7$	29	68 - 82
$\phi 15,88$	29	68 - 82
$\phi 15,88$	36	100 - 120

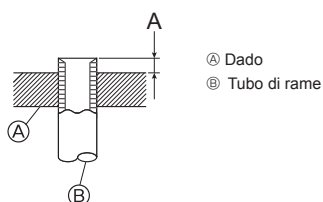
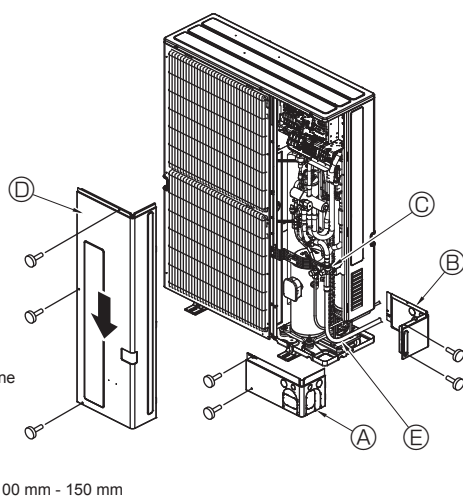


Fig. 4-9



- Ⓐ Coperchio della tubazione anteriore  
 Ⓑ Coperchio del tubo  
 Ⓒ Valvola d'arresto  
 Ⓓ Pannello di servizio  
 Ⓔ Raggio della fascetta : 100 mm - 150 mm

Fig. 4-10

### 4.4. Collegamento dei tubi (Fig. 4-8)

- Procedere ad adeguati lavori d'isolamento e anti-condensa per evitare il gocciolamento di acqua dalla tubazione del refrigerante (tubo del liquido/tubo del gas)
- Migliorare l'isolamento in funzione dell'ambiente in cui la tubazione del refrigerante viene installata; può altrimenti formarsi condensa sulla superficie del materiale isolante. (Temperatura di resistenza al calore del materiale isolante: 120 °C, Spessore: almeno 15 mm)
  - \* Se la tubazione del refrigerante viene utilizzata in ambienti soggetti a temperature ed umidità elevate, come una mansarda, può essere necessario un isolamento supplementare.
- Per isolare la tubazione del refrigerante, applicare polietilene espanso termoresistente tra l'unità interna ed il materiale di isolamento, nonché sul retino tra il materiale di isolamento, riempiendo tutti gli interstizi. (La formazione di condensa sulla tubazione può generare condensa nella stanza o dar luogo a ustioni in caso di contatto con la tubazione.)
- Le parti interne del tubo di drenaggio devono essere ricoperte di materiale di isolamento in schiuma di polietilene (gravità specifica di 0,03, spessore di almeno 9 mm).
- Stendere uno strato sottile di oliorefrigerante sul tubo e collegare la superficie di appoggio prima di serrare il dado a cartella. Ⓐ
- Serrare i raccordi dei tubi usando due chiavi. Ⓑ
- Una volta terminato il collegamento, usare un rivelatore di perdite di gas od una soluzione di acqua e sapone per controllare la presenza di eventuali perdite di gas.
- Applicare olio adatto alle macchine di refrigerazione sull'intera superficie di alloggiamento svasata. Ⓒ
- Utilizzare i dadi a cartella per le seguenti dimensioni di tubazioni. Ⓓ
- Nel caso si dovessero piegare i tubi, fare attenzione a non romperli. I raggi di piegatura compresi tra 100 mm e 150 mm sono sufficienti.
- Accertarsi che i tubi non vengano a contatto con il compressore. Possibili conseguenze sono una rumorosità anomala e vibrazioni.

Ⓐ Collegare i tubi partendo dall'unità interna.

Stringere le viti svasate con una chiave dinamometrica.

Ⓑ Svasare i tubi del liquido e del gas ed applicare un sottile strato di olio di refrigerazione (da applicare in loco).

• Nel caso si utilizzi un sistema di sigillatura dei tubi tradizionale, per maggiori indicazioni sulla svasatura dei tubi del refrigerante R410A, vedere la tabella 3.

Il calibro di regolazione misura può essere utilizzato per confermare le misure A.

#### ⚠ Avvertenza:

**Al momento dell'installazione dell'unità, collegare saldamente i tubi del refrigerante prima di azionare il compressore.**

\* Per il collegamento del KIT DI COLLEGAMENTO (PAC-LV11M-J), consultare il manuale d'installazione del KIT DI COLLEGAMENTO.

Tabella 3 (Fig. 4-9)

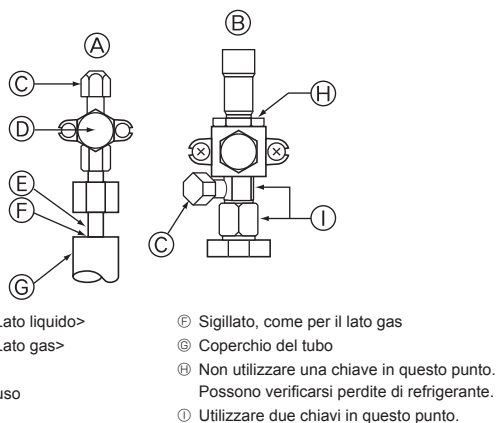
D.E. del tubo di rame (mm)	A (mm)	
	Attrezzo per raccordi a cartella per R410A	Attrezzo per raccordi a cartella per R22-R407C
	Tipo a innesto	
$\phi 6,35$	0 - 0,5	1,0 - 1,5
$\phi 9,52$	0 - 0,5	1,0 - 1,5
$\phi 12,7$	0 - 0,5	1,0 - 1,5
$\phi 15,88$	0 - 0,5	1,0 - 1,5
$\phi 19,05$	0 - 0,5	1,0 - 1,5

### 4.5. Tubazione del refrigerante (Fig. 4-10)

Rimuovere il pannello di servizio Ⓓ (tre viti) e il coperchio della tubazione anteriore Ⓐ (due viti) e il coperchio della tubazione posteriore Ⓑ (due viti).

- 1 Eseguire i collegamenti delle tubazioni refrigerante per l'unità interna/esterna quando la valvola d'arresto dell'unità esterna è completamente chiusa.
- 2 Vuotare l'aria dalla sezione interna e dalla tubazione di collegamento.
- 3 Dopo aver collegato i tubi del refrigerante, controllare gli altri tubi collegati e l'unità interna per verificare la presenza di eventuali perdite di gas. (Consultare il punto 4.6. Tubo del refrigerante e metodo di verifica tenuta.)
- 4 Applicare il vuoto nei tubi del refrigerante attraverso il punto per gli interventi di servizio alla valvola di arresto del liquido e del gas, quindi aprire completamente le valvole di arresto (del liquido e del gas). In questo modo i tubi del refrigerante saranno completamente collegati alle unità interne ed esterne.
  - Lasciando chiuse le valvole di arresto e mettendo in funzione l'unità, si rischia di danneggiare il compressore e le valvole di controllo.
  - Utilizzare un rivelatore di perdite o acqua saponata per verificare la presenza di eventuali perdite di gas nelle sezioni di giunzione dei tubi dell'unità esterna.
  - Non utilizzare il refrigerante dell'unità per spurgare l'aria dai tubi del refrigerante.
  - Terminato il lavoro con le valvole, stringere i cappucci delle valvole con la coppia di serraggio corretta: da 20 a 25 N·m (da 200 a 250 kgf·cm). Se i cappucci non vengono sostituiti o stretti come previsto, si possono verificare perdite di refrigerante. Inoltre, non danneggiare la parte interna dei cappucci in quanto essi fungono da tenuta per prevenire eventuali perdite di refrigerante.
- 5 Utilizzare il sigillante per sigillare le estremità dell'isolamento termico attorno alle sezioni di giunzione dei tubi per prevenire la penetrazione dell'acqua nell'isolamento termico.

## 4. Installazione della tubazione del refrigerante



- Ⓐ Valvola di arresto <Lato liquido>
- Ⓑ Valvola di arresto <Lato gas>
- Ⓒ Attacco di servizio
- Ⓓ Sezione Aperto/Chiuso
- Ⓔ Tubazione locale
- Ⓕ Sigillato, come per il lato gas
- Ⓖ Coperchio del tubo
- Ⓗ Non utilizzare una chiave in questo punto. Possono verificarsi perdite di refrigerante.
- Ⓘ Utilizzare due chiavi in questo punto.

Fig. 4-11

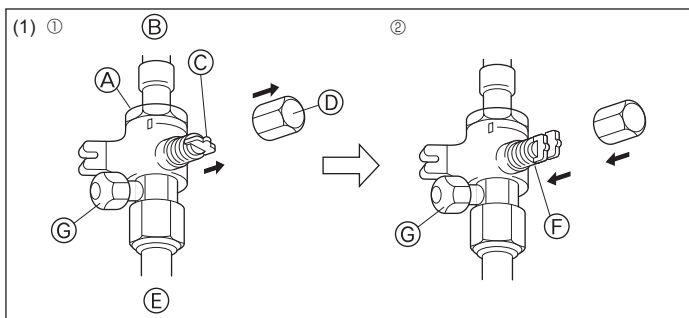


Fig. 4-12

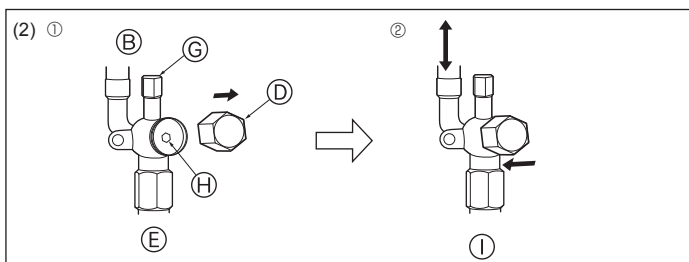
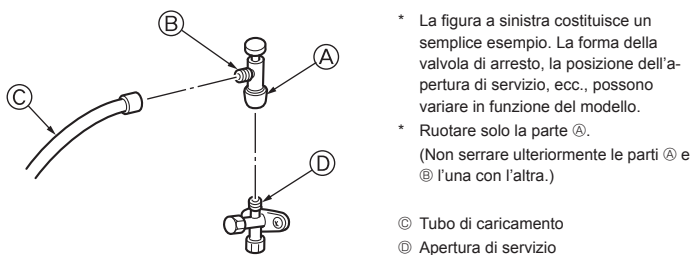


Fig. 4-13



- \* La figura a sinistra costituisce un semplice esempio. La forma della valvola di arresto, la posizione dell'apertura di servizio, ecc., possono variare in funzione del modello.
- \* Ruotare solo la parte Ⓐ. (Non serrare ulteriormente le parti Ⓐ e Ⓑ l'una con l'altra.)

- Ⓒ Tubo di caricamento
- Ⓓ Apertura di servizio

Fig. 4-14

### 4.6. Tubo del refrigerante e metodo di verifica tenuta

(1) Collegare gli strumenti di verifica.

- Accertarsi che le valvole di arresto Ⓐ e Ⓑ siano chiuse e non aprirle.
- Aggiungere pressione ai tubi del refrigerante attraverso il punto per gli interventi di servizio Ⓒ alla valvola di arresto del liquido Ⓐ e alla valvola di arresto del gas Ⓑ.

(2) Aggiungere gradualmente la pressione alla pressione specificata.

- ① Pressurizzare a 0,5 MPa (5 kgf/cm<sup>2</sup>G), attendere cinque minuti ed accertarsi che la pressione non scenda.
- ② Pressurizzare a 1,5 MPa (15 kgf/cm<sup>2</sup>G), attendere cinque minuti ed accertarsi che la pressione non scenda.
- ③ Pressurizzare a 4,15 MPa (41,5 kgf/cm<sup>2</sup>G), attendere cinque minuti e misurare la temperatura circostante e la pressione del refrigerante.

(3) Se la pressione specificata viene mantenuta per circa un giorno senza diminuire, significa che i tubi hanno superato la prova e non ci sono perdite.

- Se la temperatura circostante cambia di 1 °C, la pressione tende a cambiare di circa 0,01 MPa (0,1 kgf/cm<sup>2</sup>G). Apportare le modifiche necessarie.

(4) Un calo di pressione nelle fasi (2) o (3) indica una perdita di gas. Cercare le cause della perdita.

### 4.7. Metodo di apertura della valvola di arresto

(1) Lato del gas (Fig. 4-12)

- ① Rimuovere il cappuccio, tirare la maniglia verso di sé e ruotare di 1/4 di giro in senso antiorario per aprire.
- ② Assicurarsi che la valvola d'arresto sia completamente aperta, spingere in dentro la maniglia e riportare il cappuccio alla posizione originale.

(2) Lato del liquido (Fig. 4-13)

- ① Togliere il cappuccio e girare fino a quando è possibile l'asta della valvola in senso antiorario utilizzando una chiave esagonale N° 4. Smettere di girare quando si urta l'otturatore. (ø6,35: circa 4,5 giri) (ø9,52: circa 10 giri)
- ② Assicurarsi che la valvola d'arresto sia completamente aperta, spingere in dentro la maniglia e riportare il cappuccio alla posizione originale.

- Ⓐ Valvola
- Ⓑ Lato unità
- Ⓒ Maniglia
- Ⓓ Cappuccio
- Ⓔ Lato tubazione locale
- Ⓕ Lato posizione di apertura
- Ⓖ Attacco di servizio
- Ⓗ Foro per la chiave
- Ⓘ Direzione di flusso del refrigerante

I tubi del refrigerante sono avvolti in un materiale protettivo

- I tubi possono essere avvolti in un materiale protettivo fino ad un diametro di ø90 prima e dopo la connessione. Tagliare il foro di uscita nel coperchio del tubo dopo il solco ed avvolgere i tubi.

Spazio libero di ingresso del tubo

- Con del sigillante o del mastice sigillare la bocca di ingresso dei tubi in modo da non far rimanere nessuno spazio libero.

(La mancata chiusura degli spazi liberi può essere causa di rumorosità o perdite di acqua, nonché consentire la penetrazione dell'acqua con conseguenti guasti all'impianto.)

### Precauzioni per l'utilizzo della valvola di caricamento (Fig. 4-14)

Non stringere eccessivamente l'apertura di servizio al momento dell'installazione, altrimenti il nucleo della valvola può deformarsi ed allentarsi, con il rischio di perdite di gas. Dopo aver posizionato la parte Ⓑ nella direzione desiderata, ruotare unicamente la parte Ⓐ e serrarla.

Dopo aver serrato la parte Ⓐ, non serrare ulteriormente le parti Ⓐ e Ⓑ l'una con l'altra.

## 4. Installazione della tubazione del refrigerante

### 4.8. Carica addizionale di refrigerante

#### Carica addizionale di refrigerante

Alla consegna, l'unità esterna non contiene il refrigerante necessario per il prolungamento della tubazione. Pertanto, caricare ciascun impianto di tubazione refrigerante con refrigerante supplementare sul sito d'installazione. Inoltre, annotare il diametro e la lunghezza di ciascun tubo del liquido e le quantità addizionali della carica di refrigerante negli spazi previsti sulla targhetta "Refrigerant amount" (quantità di refrigerante) sull'unità esterna.

#### Calcolo della carica addizionale di refrigerante

- Calcolare la carica addizionale sulla base del diametro del tubo del liquido e della lunghezza del prolungamento della tubazione.
- Nel calcolo, utilizzare 11,2 kW per la capacità del cilindro o dell'unità Hydrobox.
- Calcolare la carica addizionale di refrigerante utilizzando la procedura illustrata a destra e caricare il refrigerante addizionale necessario.
- Per le quantità inferiori a 0,1 kg, approssimare per eccesso la carica addizionale di refrigerante calcolata.  
(Ad esempio, se la carica calcolata è 6,01 kg, approssimare a 6,1 kg.)

<Carica addizionale>

#### Calcolo della carica di refrigerante

Diametro del tubo Tubo del liquido		Diametro del tubo Tubo del liquido		Capacità totale delle unità interne collegate	Quantità per le unità interne
ø6,35	+	ø9,52	+	~ 8,0 kW	1,5 kg
(m) × 19,0 (g/m)		(m) × 50,0 (g/m)		8,1 ~ 16,0 kW	2,5 kg
				16,1 kW ~	3,0 kg

#### Quantità di refrigerante presente alla consegna

Quantità di refrigerante presente
4,8 kg

<Esempio>

Sezione esterna: modello P125

Sezione interna 1 : P63 (7,1 kW)

2 : P40 (4,5 kW)

3 : P25 (2,8 kW)

4 : P20 (2,2 kW)

A : ø9,52 30 m

a : ø9,52 15 m

b : ø6,35 10 m

c : ø6,35 10 m

d : ø6,35 20 m

Alle condizioni di cui sotto:

La lunghezza totale di ciascuna linea del liquido è la seguente:

$$\varnothing 9,52 : A + a = 30 + 15 = 45 \text{ m}$$

$$\varnothing 6,35 : b + c + d = 10 + 10 + 20 = 40 \text{ m}$$

La capacità totale dell'unità interna collegata è la seguente:

$$7,1 + 4,5 + 2,8 + 2,2 = 16,6$$

<Esempio di calcolo>

Carica addizionale di refrigerante

$$40 \times \frac{19,0}{1000} + 45 \times \frac{50,0}{1000} + 3,0 = 6,1 \text{ kg (arrotondato)}$$

## 5. Installazione della tubazione di drenaggio

#### Collegamento del tubo di drenaggio della sezione esterna

Se è necessario eseguire la tubazione di drenaggio, utilizzare il tubo o la vaschetta di drenaggio (in opzione).

	P112-140
Tubo di drenaggio	PAC-SG61DS-E
Vaschetta di drenaggio	PAC-SH97DP-E

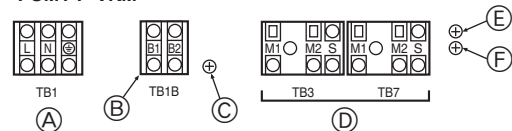
## 6. Collegamenti elettrici

### 6.1. Cautela

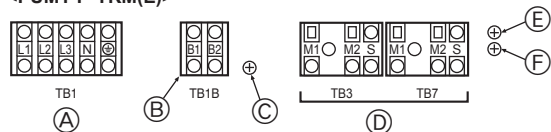
- Seguire le norme nazionali relative agli standard tecnici degli equipaggiamenti elettrici, nonché i regolamenti sui cablaggi e le norme tecniche di ciascuna società fornitrice di energia elettrica.
- I cablaggi di comando (chiamati nel presente contesto linea di trasmissione) devono essere distanti di almeno 5 cm da qualsiasi sorgente elettrica, in modo da non essere influenzati dal rumore elettrico prodotto dalla stessa. (Evitare di inserire la linea di trasmissione e il cavo di alimentazione nello stesso conduttore.)
- Accertarsi di effettuare la corretta messa a terra della sezione esterna.
- Lasciare un pò di spazio per i cablaggi della scatola elettrica delle sezioni interne ed esterne, poiché la scatola stessa deve essere talvolta rimossa al momento dei lavori di manutenzione.
- Non collegare mai la sorgente di alimentazione principale al blocco terminale della linea di trasmissione, per evitare un cortocircuito delle parti elettriche.
- Utilizzare cavi schermati a 2 conduttori per la linea di trasmissione. Qualora vengano collegati allo stesso cavo a multiconduttori linee di trasmissione aventi caratteristiche diverse, si avrà come risultato un cattivo funzionamento della trasmissione e della ricezione dei segnali.
- Solamente la linea di trasmissione possedente le specifiche indicate può essere collegata al blocco terminale per il comando della sezione esterna.  
(Linea di trasmissione da collegare alla sezione interna: Blocco terminale TB3 per la linea di trasmissione. Altre: Blocco terminale TB7 per controllo centralizzato.)  
Una connessione non corretta impedisce al sistema di funzionare regolarmente.
- In caso di collegamento con un controllore della classe superiore o di esecuzione di operazioni di gruppo in diversi sistemi refrigeranti, occorre una linea di trasmissione fra ciascuna sezione esterna.  
Collegare questa linea di comando fra i blocchi terminali per il controllo centralizzato (linea a 2 cavi con assenza di polarità).  
Per effettuare operazioni di gruppo in diversi sistemi refrigeranti senza collegare un controllore della classe superiore, modificare l'inserimento del connettore di corto circuito di una sezione esterna da CN41 a CN40.
- Il gruppo è impostato tramite il comando a distanza.
- Per il collegamento del KIT DI COLLEGAMENTO (PAC-LV11M-J) e di un'unità interna della serie M, consultare il manuale d'installazione del KIT DI COLLEGAMENTO.
- Quando si collega una scatola di derivazione, non dimenticare di accendere le unità interne e la scatola di derivazione prima di accendere l'unità esterna.

## 6. Collegamenti elettrici

<PUMY-P-VKM>



<PUMY-P-YKM(E)>



- Ⓐ Presa energia elettrica
- Ⓑ Alimentazione per la scatola di derivazione
- Ⓒ Avvitare alla scatola dei componenti elettrici
- Ⓓ Linea di trasmissione
- Ⓔ Terra per la morsetteria (TB3)
- Ⓕ Avvitare alla scatola dei componenti elettrici

Fig. 6-1

### 6.2. Scatola di comando e posizione di collegamento dei cablaggi (Fig. 6-1)

- Collegare la linea di trasmissione dell'unità interna al blocco terminale (TB3) oppure collegare i cavi fra le unità esterne o i cavi con il sistema di controllo centralizzato al blocco terminale del controllo centralizzato (TB7). Quando si utilizzano cavi schermati, collegare lo schermo di massa della linea di trasmissione dell'unità interna alla vite (Ⓔ) e collegare lo schermo di massa della linea tra le unità esterne e la linea di trasmissione del sistema di controllo centralizzato al terminale schermato (S) della morsetteria del controllo centralizzato (TB7). Inoltre, per le unità esterne il cui connettore di alimentazione CN41 è stato sostituito dal CN40, occorre collegare anche il terminale schermato (S) del blocco terminale (TB7) del sistema di controllo centralizzato alla vite (Ⓔ), utilizzando il filo in dotazione.
- La morsetteria (TB1B) fornisce alimentazione alla scatola di derivazione (220 ~ 240 V CA max 6 A).
- Fissare il cavo di alimentazione alla scatola terminale usando la speciale boccia di separazione per connessioni sotto tensione tipo PG o simile.

#### ⚠ Cautela:

**Non collegare mai la linea di trasmissione per l'unità interna o la linea di trasmissione del sistema di controllo centralizzato a questa morsetteria (TB1B). Se si collegano le linee di trasmissione, si rischia di danneggiare il blocco terminale dell'unità interna o il blocco terminale del controllo centralizzato.**

### 6.3. Cavi di trasmissione dei cablaggi

#### ① Tipi di cavi di comando

- Cavi di trasmissione dei cablaggi
  - Tipi di cavi di trasmissione: Cavi schermati CVVS, CPEVS o MVVS
  - Diametro del cavo: Superiore a 1,25 mm<sup>2</sup>
  - Lunghezza massima ammessa: Non oltre 200 m

#### 2. M-NET cavi del comando a distanza

Tipi di cavi del comando a distanza	Cavi schermati CVVS, CPEVS o MVVS
Diametro del cavo	da 0,5 a 1,25 mm <sup>2</sup>
Osservazioni	Quando si superano i 10 m, utilizzare un cavo che presenti le stesse specifiche dei cavi del cablaggio della linea di trasmissione.

#### 3. MA cavi del comando a distanza

Tipi di cavi del comando a distanza	Cavo a 2 nuclei con guaina (non schermato) CVV
Diametro del cavo	da 0,3 a 1,25 mm <sup>2</sup> (da 0,75 a 1,25 mm <sup>2</sup> ) *
Osservazioni	Non oltre 200 m

\* Collegati con semplice comando a distanza.

#### ② Esempi di cablaggi

- Nome del controllore, simbolo e numero ammesso di controllori.

Nome	Simbolo	Numero di controllori ammessi	
Controllore della sezione esterna	OC	-	
Controllore della sezione interna	M-IC	PUMY-P112	Da 1 a 9 unità per 1 OC *1
		PUMY-P125	Da 1 a 10 unità per 1 OC *1
		PUMY-P140	Da 1 a 12 unità per 1 OC *1
	A-IC	PUMY-P112	Da 2 a 8 unità per 1 OC *1
	PUMY-P125		
	PUMY-P140		
Scatola di derivazione	-	-	Da 0 a 2 unità per 1 OC
Comando a distanza	RC	M-NET RC *2	Massimo 12 sistemi di controllo per 1 OC (Impossibile collegare se è in uso la Scatola di derivazione.)
		MA-RC	

#### Nota:

- \*1. Il numero di unità collegabili può essere limitato da alcune condizioni, come la capacità di un'unità interna o il consumo di energia equivalente di ciascun'unità.
- \*2. Non utilizzare il controllo remoto per Lossnay (PZ-61DR-E, PZ-43SMF-E, PZ-52SF-E, PZ-60DR-E).

### Esempio di funzionamento a terra con più sezioni esterne (Sono necessari l'uso di cavi schermati e l'impostazione degli indirizzi)

<Esempi di collegamenti di cavi di trasmissione: quando non si utilizza una scatola di derivazione>

#### ■ Fare riferimento alle figur da 6-2 a 6-6.

<Metodo di collegamento a filo e impostazioni indirizzo: sistema senza scatola di derivazione>

- Utilizzare sempre filo schermato per collegare l'unità esterna (OC) e l'unità interna (M-IC).
- Collegare elettricamente i terminali M1 e M2 ed il terminale di messa a terra della morsetteria del cavo di trasmissione (TB3) di ciascuna unità esterna (OC) ai terminali M1, M2 ed al terminale S della morsetteria del cavo di trasmissione dell'unità interna (M-IC).
- Collegare i terminali 1 (M1) e 2 (M2) del blocco terminale del cavo di trasmissione della sezione interna (M-IC), con l'indirizzo più recente per lo stesso gruppo di sezioni interne, al blocco terminale dell'unità di comando a distanza (M-NET RC).
- Collegare insieme i terminali M1, M2 ed il terminale S sulla morsetteria del controllo centralizzato (TB7) per l'unità esterna (OC).
- L'inserimento del connettore a ponticello sul pannello di comando CN41 non varia.
- Collegare lo schermo di massa della linea di trasmissione delle unità interne al terminale schermato (S) di (TB3); collegare inoltre il terminale (S) alla vite (Ⓔ o Ⓕ) utilizzando il filo in dotazione.  
Collegare lo schermo di massa della linea tra le unità esterne e la linea di trasmissione del sistema di controllo centralizzato al terminale schermato (S) di (TB7).
- Impostare l'interruttore di indirizzo come indicato sotto.

Unità	Campo valori	Metodo di impostazione
M-IC (Principale)	da 01 a 50	Utilizzare l'indirizzo più recente per lo stesso gruppo di sezioni interne (IC)
M-IC (Secondaria)	da 01 a 50	Utilizzare un indirizzo diverso da quello dell'IC principale fra le unità per lo stesso gruppo di sezioni interne. Questo deve essere in sequenza con l'IC principale stessa
Sezione esterna	da 51 a 100	Utilizzare l'indirizzo più recente di tutte le sezioni interne dello stesso sistema refrigerante più 50 * L'indirizzo diventa automaticamente "100" se è impostato come "01-50".
M-NET R/C (Principale)	da 101 a 150	Impostare un indirizzo dell'IC principale per lo stesso gruppo più 100
M-NET R/C (Secondaria)	da 151 a 200	Impostare un indirizzo dell'IC principale per lo stesso gruppo più 150
MA R/C	-	Impostazione indirizzo non necessaria (Impostazione principale/secondaria necessaria)

- Il funzionamento con impostazione di gruppo di sezioni interne multiple è attivato dall'unità di comando a distanza (M-NET RC) solo dopo l'avvenuta alimentazione del sistema.
- Quando si collega un'unità PWFY
  - Non effettuare le impostazioni gruppo per l'unità PWFY e le unità interne.
  - L'unità PWFY e un unità Lossnay non possono funzionare contemporaneamente.
  - Utilizzare un controller a distanza WMA per l'unità PWFY.
 Per i dettagli, consultare il manuale per l'installazione della unità PWFY.
- Quando si collega un cilindro o un'unità Hydrobox
  - Non effettuare le impostazioni di gruppo per il cilindro o l'unità Hydrobox e le altre unità interne.

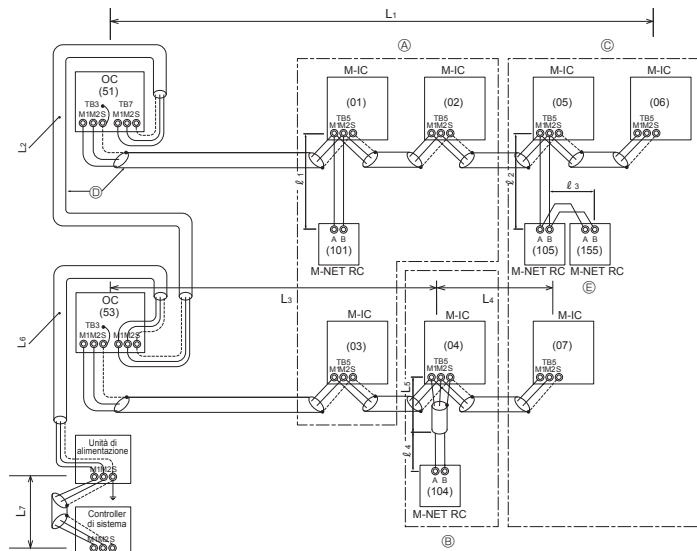
<Metodo di collegamento a filo e impostazioni indirizzo: sistema con scatola di derivazione>

Fare riferimento al manuale di installazione della scatola di derivazione.

## 6. Collegamenti elettrici

<Esempio di cablaggio di trasmissione: Senza l'utilizzo di scatola di derivazione>

■ Comando a distanza M-NET



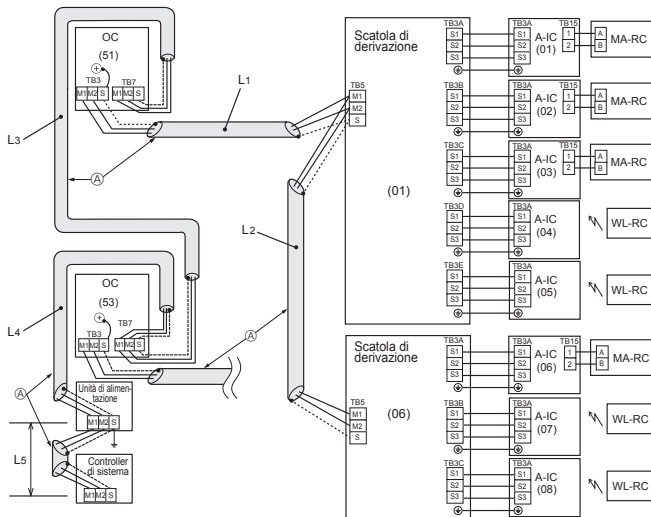
- Ⓐ : Gruppo 1
- Ⓑ : Gruppo 2
- Ⓒ : Gruppo 3
- Ⓓ : Cavo schermato
- Ⓔ : Comando a distanza secondario
- ( ) : Indirizzo

<Lunghezze ammissibili>

- Lunghezza massima attraverso le unità esterne:  $L_1 + L_2 + L_3 + L_4$  e  $L_1 + L_2 + L_3 + L_5$  e  $L_1 + L_2 + L_6 + L_7 \leq 500$  m (1,25 mm<sup>2</sup> o più)
  - Lunghezza massima cavo di trasmissione:  $L_1$  e  $L_3 + L_4$  e  $L_3 + L_5$  e  $L_2 + L_6$  e  $L_7 \leq 200$  m (1,25 mm<sup>2</sup> o più)
  - Lunghezza cavo comando a distanza:  $l_1, l_2, l_3, l_4 \leq 10$  m (da 0,5 a 1,25 mm<sup>2</sup>)
- Se la lunghezza supera 10 m, utilizzare un cavo schermato da 1,25 mm<sup>2</sup>. La lunghezza di questa sezione (L<sub>s</sub>) deve essere inclusa nel calcolo della lunghezza massima e della lunghezza complessiva.

Fig. 6-2

<Esempio di cablaggio di trasmissione: Collegamento con scatola di derivazione>



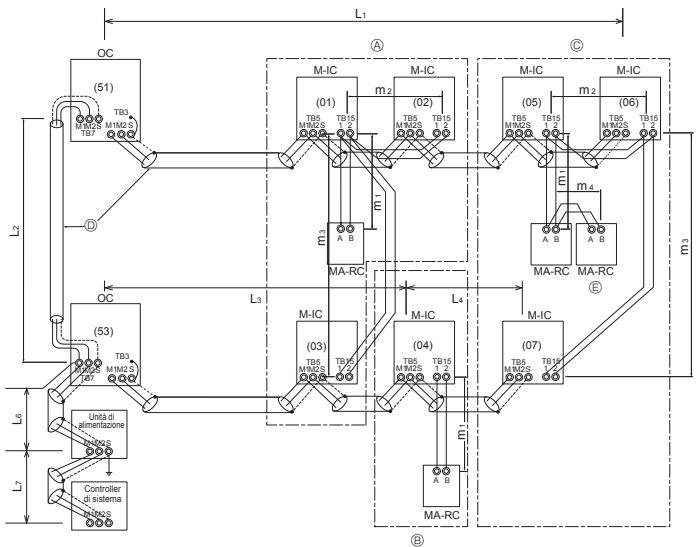
- Ⓐ : Cavo schermato
- ( ) : Esempio di indirizzo
- A-IC : Unità interna serie M, S, P

<Lunghezze ammissibili>

- Lunghezza massima attraverso le unità esterne (cavo M-NET):  $L_1 + L_2 + L_3 + L_4 + L_5 \leq 500$  m (1,25 mm<sup>2</sup> o più)
- Lunghezza massima cavo di trasmissione (cavo M-NET):  $L_1 + L_2, L_3 + L_4, L_5 \leq 200$  m (1,25 mm<sup>2</sup> o più)

Fig. 6-4

■ Comando a distanza MA

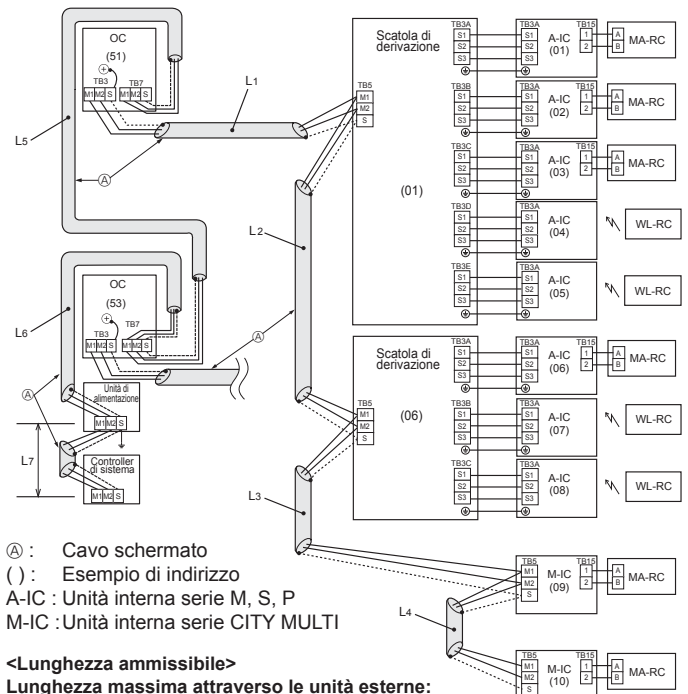


<Lunghezze ammissibili>

- Lunghezza massima attraverso l'unità esterna (cavo M-NET):  $L_1 + L_2 + L_3 + L_4$  e  $L_1 + L_2 + L_6 + L_7 \leq 500$  m (1,25 mm<sup>2</sup> o più)
- Lunghezza massima cavo di trasmissione (cavo M-NET):  $L_1$  e  $L_3 + L_4$  e  $L_2 + L_6$  e  $L_7 \leq 200$  m (1,25 mm<sup>2</sup> o più)
- Lunghezza cavo comando a distanza:  $m_1$  e  $m_1 + m_2 + m_3$  e  $m_1 + m_2 + m_3 + m_4 \leq 200$  m (da 0,3 a 1,25 mm<sup>2</sup>)

Fig. 6-3

<Esempio di cablaggio di trasmissione: Sistema misto>



- Ⓐ : Cavo schermato
- ( ) : Esempio di indirizzo
- A-IC : Unità interna serie M, S, P
- M-IC : Unità interna serie CITY MULTI

<Lunghezza ammissibile>

- Lunghezza massima attraverso le unità esterne:  $L_1 + L_2 + L_3 + L_4 + L_5 + L_6 + L_7 \leq 500$  m (1,25 mm<sup>2</sup> o più)
- Lunghezza massima cavo di trasmissione:  $L_1 + L_2 + L_3 + L_4, L_5 + L_6, L_7 \leq 200$  m (1,25 mm<sup>2</sup> o più)

Fig. 6-5

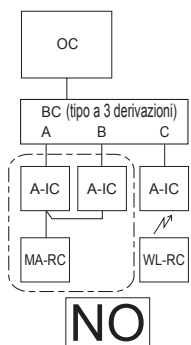
Nota:

Non è possibile collegare il cilindro o l'unità Hydrobox a un'unità diversa dal cilindro o da un'unità Hydrobox. Inoltre, quando il cilindro o l'unità Hydrobox sono connessi, non è possibile azionare più unità esterne contemporaneamente.

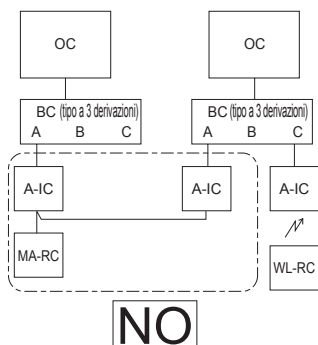
## 6. Collegamenti elettrici

<Sistemi non corretti>

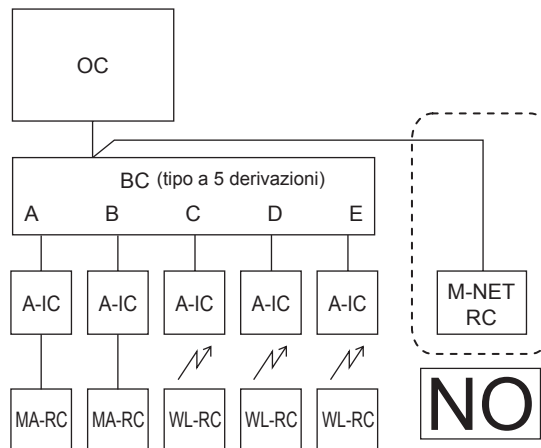
1. Funzionamento in gruppo con comando a distanza singolo



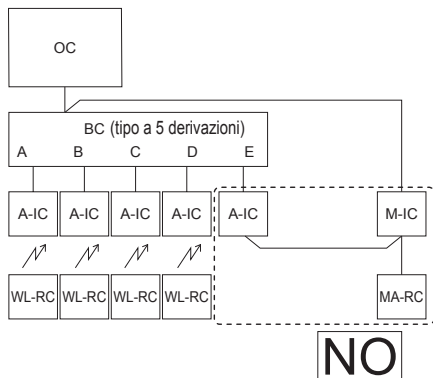
2. Funzionamento in gruppo tra diversi sistemi refrigeranti



3. Collegamento del comando a distanza M-NET



4. Funzionamento in gruppo tra controllo di sistema A e sistema di controllo M-NET.



1. Non è possibile azionare più unità interne con un solo comando a distanza.
2. Non è possibile collegare tra loro sistemi refrigeranti diversi.
3. Non è possibile collegare un comando a distanza M-NET.
4. Non è possibile collegare tra loro sistemi di controllo di tipo diverso (A-IC/M-IC).

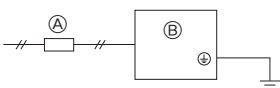
## 6. Collegamenti elettrici

### 6.4. Cablaggio di alimentazione principale e capacità dell'apparecchiatura

Tracciato schematico del cablaggio: quando non si utilizza una scatola di derivazione (Esempio) (Fig. 6-6)

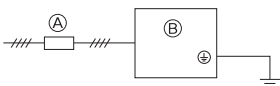
#### ■ PUMY-P-VKM4

~N 220-230-240 V 50 Hz  
~N 220-230 V 60 Hz



#### ■ PUMY-P-YKM(E)4

• YKM4  
3N~380-400-415 V 50 Hz  
3N~380 V 60 Hz  
• YKME4  
3N~380-400-415 V 50 Hz



~N 220-230-240 V 50 Hz  
~N 220-230 V 60 Hz

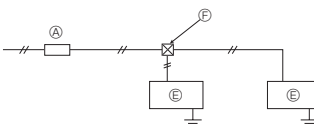


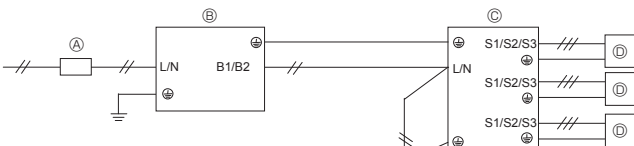
Fig. 6-6

Tracciato schematico del cablaggio: quando si utilizza una scatola di derivazione (Esempio) (Fig. 6-7)

<Quando l'alimentazione è fornita dall'unità esterna>

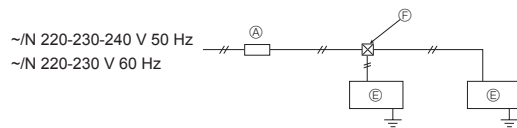
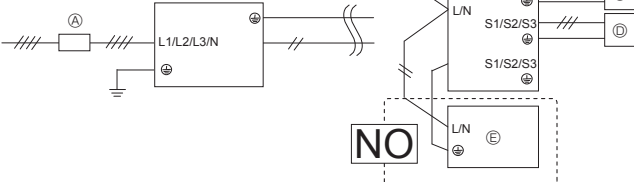
#### ■ PUMY-P-VKM4

~N 220-230-240 V 50 Hz  
~N 220-230 V 60 Hz



#### ■ PUMY-P-YKM(E)4

• YKM4  
3N~380-400-415 V 50 Hz  
3N~380 V 60 Hz  
• YKME4  
3N~380-400-415 V 50 Hz



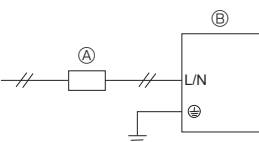
- Ⓐ Interruttore (Interruttore per dispersione verso terra)
- Ⓑ Sezione esterna
- Ⓒ Scatola di derivazione
- Ⓓ Unità interna "controllo A" (Unità interna serie M, S, P)
- Ⓔ Unità interna comando M-NET (Unità interna City Multi)
- Ⓕ Scatola di derivazione

\* L'unità interna con comando M-NET non può ricevere alimentazione da un'unità esterna, di conseguenza occorre fornire l'alimentazione separatamente.

<Quando l'alimentazione è fornita separatamente>

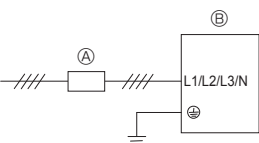
#### ■ PUMY-P-VKM4

~N 220-230-240 V 50 Hz  
~N 220-230 V 60 Hz

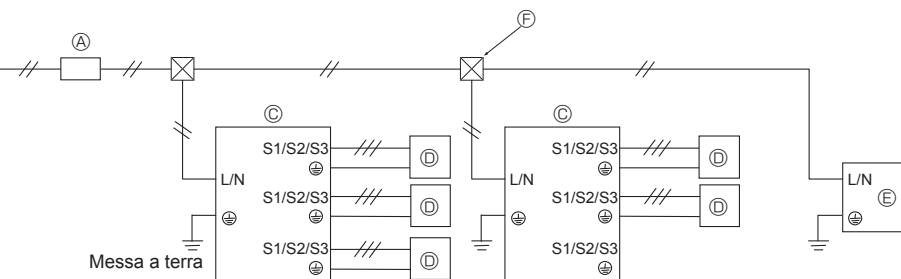


#### ■ PUMY-P-YKM(E)4

• YKM4  
3N~380-400-415 V 50 Hz  
3N~380 V 60 Hz  
• YKME4  
3N~380-400-415 V 50 Hz



~N 220-230-240 V 50 Hz  
~N 220-230 V 60 Hz



Nota: scatola del reattore (componenti opzionali)

Quando il prodotto viene impiegato per un uso diverso da quello professionale, potrebbe essere necessaria la Reactor BOX (scatola del reattore).

Unità esterna	Metodo di alimentazione della scatola di derivazione	
	Alimentazione dall'unità esterna	Alimentazione separata
Alimentazione monofase	Non necessaria	Necessaria
Alimentazione trifase	Necessaria	Necessaria

Fig. 6-7



## 6. Collegamenti elettrici

### Area sezione trasversale del filo per l'alimentazione principale e le capacità di accensione/spegnimento

<Quando l'alimentazione è fornita separatamente>

Modello	Alimentazione	Area sezione trasversale minima del filo (mm <sup>2</sup> )			Interruttore cablaggio *1	Interruttore dispersione corrente	
		Cavo principale	Diramazione	Terra			
Sezione esterna	P112-140VKM4	~N 220-230-240 V 50 Hz ~N 220-230 V 60 Hz	6	–	6	32 A	32 A 30 mA 0,1 sec. max
	P112-140YKM4	3N~380-400-415 V 50 Hz 3N~380 V 60 Hz	1,5	–	1,5	16 A	16 A 30 mA 0,1 sec. max
	P112-140YKME4	3N~380-400-415 V 50 Hz					

<Quando l'alimentazione è fornita dall'unità esterna>

Modello	Alimentazione	Area sezione trasversale minima del filo (mm <sup>2</sup> )			Interruttore cablaggio *1	Interruttore dispersione corrente	
		Cavo principale	Diramazione	Terra			
Sezione esterna	P112-140VKM4	~N 220-230-240 V 50 Hz ~N 220-230 V 60 Hz	6	–	6	40 A	40 A 30 mA 0,1 sec. max
	P112-140YKM4	3N~380-400-415 V 50 Hz 3N~380 V 60 Hz	2,5	–	2,5	20 A	20 A 30 mA 0,1 sec. max
	P112-140YKME4	3N~380-400-415 V 50 Hz					

\*1 Utilizzare un interruttore automatico senza fusibile (NF) o un interruttore automatico del circuito di dispersione a terra (NV) con una separazione dei contatti di almeno 3,0 mm in ogni polo.

<Unità interne>

Corrente totale di funzionamento dell'unità interna	Spessore minimo del cavo (mm <sup>2</sup> )			Interruttore di dispersione a terra *1	Interruttore locale (A)		Interruttore cablaggio (NFB)
	Cavo principale	Diramazione	Terra		Capacità	Fusibile	
F0 = massimo 16 A *2	1,5	1,5	1,5	Sensibilità corrente 20 A *3	16	16	20
F0 = massimo 25 A *2	2,5	2,5	2,5	Sensibilità corrente 30 A *3	25	25	30
F0 = massimo 32 A *2	4,0	4,0	4,0	Sensibilità corrente 40 A *3	32	32	40

Per l'impedenza sistema max. consentita, fare riferimento alla norma IEC61000-3-3

\*1 L'interruttore di dispersione a terra è inteso a sostenere il circuito dell'inverter.

L'interruttore di dispersione a terra deve abbinare l'uso di un interruttore locale o di un interruttore cablaggio.

\*2 Come valore F0, adottare il valore maggiore tra i valori F1 e F2.

F1 = Corrente massima totale di funzionamento delle unità interne × 1,2

F2 = {V1 × (Quantità del Tipo 1)/C} + {V1 × (Quantità del tipo 2)/C} + {V1 × (Quantità del Tipo 3)/C} + ... + {V1 × (Quantità del Tipo 14)/C}

Collegare alla scatola di derivazione (PAC-MK-BC(B))

Unità interna		V1	V2
Tipo 1	PEAD-RP-JA(L)Q, PEAD-M-JA(L), PEY-(S)P-JA	26,9	2,4
Tipo 2	SEZ-KD-VAQ(L), SEZ-M-DA(L), PCA-RP-KAQ, PCA-M-KA, PLA-ZRP-BA, PLA-RP-EA, SLZ-KF-VA2, SLZ-M-FA, PLY-(S)P-BA, SEZ-KH-VALT, PCY-(S)P-KA	19,8	
Tipo 3	MLZ-KA-VA, SLZ-KA-VAQ(L)3	9,9	
Tipo 4	MFZ-KJ-VE2, MSXY-FJ-VE, MSZ-LN-VG, MSZ-AP-VG, MLZ-KP-VF	7,4	
Tipo 5	MSZ-FH-VE, MSZ-SF-VE, MSZ-EF-VE, MSZ-SF-VA, MSZ-GF-VE, MSZ-GE-VA, MSZ-EF-VA, MSY-GE-VA, MSY-EF-VA, MSZ-FH-VA, MSY-GH-VA, MSZ-FK-VA, MSZ-GC-NA	6,8	
Tipo 6	Scatola di derivazione (PAC-MK-BC(B))	5,1	
Tipo 7	generazione ecodan C		5,0 *5

\*5 Questo valore potrebbe aumentare a causa di un attuatore collegato localmente.

Collegare al kit di collegamento (PAC-LV11M-J)

Unità interna		V1	V2
Tipo 8	MFZ-KJ-VE2	7,4	2,4
Tipo 9	MSZ-GE-VA, MSZ-SF-VA, MSZ-SF-VE, MSZ-EF-VE, MSZ-FH-VE, MSY-GE-VA, MSY-GH-VA	6,8	
Tipo 10	Kit di collegamento (PAC-LV11M-J)	3,5	

Unità interna		V1	V2
Tipo 11	PEFY-VMA(L)-E, PEFY-VMA3-E	38,0	1,6
Tipo 12	PMFY-VBM-E, PLFY-VEM-E, PLFY-VFM-E1, PEFY-VMS1(L)-E, PCFY-VKM-E, PKFY-VHM-E, PKFY-VKM-E, PFFY-VKM-E2, PFFY-VLRMM-E, PLFY-EP-VEM-E, PMFY-P-VFM-D	19,8	2,4
Tipo 13	PKFY-VBM-E	3,5	2,4
Tipo 14	PLFY-VLMD-E, PEFY-VMR-E-L/R, PDFY-VM-E, PEFY-VMH-E, PFFY-VLEM-E, PFFY-VLRM-E, PWFY-VM-E1(2)-AU, PEFY-P-VMH-E-F, GUF-RD(H)4	0,0	0,0

C : multiplo della corrente di intervento con un tempo di intervento di 0,01 s

Scegliere "C" dalle caratteristiche di intervento del disgiuntore.

## 6. Collegamenti elettrici

<Esempio del calcolo di "F2">

Condizione PEFY-VMS × 4 + PEFY-VMA × 1, C = 8 (fare riferimento al grafico di esempio a destra)

$$F2 = 19,8 \times 4/8 + 38 \times 1/8$$

$$= 14,65$$

→ Disgiuntore 16 A (corrente di intervento =  $8 \times 16$  A a 0,01 s)

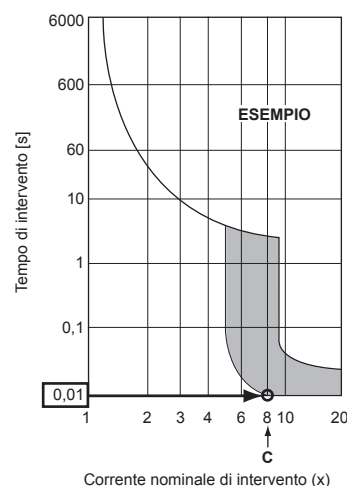
\*3 La sensibilità di corrente è calcolata con la formula seguente.

$$G1 = V2 \times (\text{Quantità del tipo 1}) + V2 \times (\text{Quantità del tipo 2}) + V2 \times (\text{Quantità del tipo 3}) + \dots + V2 \times (\text{Quantità del tipo 14}) + V3 \times (\text{Lunghezza del filo [km]})$$

G1	Sensibilità di corrente
Massimo 30	Massimo 30 mA 0,1 sec
Massimo 100	Massimo 100 mA 0,1 sec

Spessore del filo	V3
1,5 mm <sup>2</sup>	48
2,5 mm <sup>2</sup>	56
4,0 mm <sup>2</sup>	66

Grafico di esempio



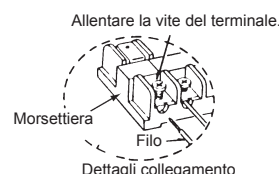
1. Tener conto delle condizioni ambientali (temperatura ambiente, luce solare diretta, acqua piovana, ecc.) durante il cablaggio e le connessioni.
2. Lo spessore del cavo corrisponde al minimo valore per il cablaggio di conduttura metallica. Il cavo di alimentazione deve essere di uno spessore maggiore, nel caso si presenti un calo di tensione. Accertarsi che la tensione di alimentazione non cali più del 10%.
3. Le caratteristiche specifiche dei cablaggi devono essere conformi agli standard normativi locali.
4. I cavi di alimentazione o le parti di apparecchi per uso esterno non devono essere più leggeri di un cavo schermato flessibile in policloroprene (design 60245 IEC57). Usare, ad esempio, cavi di specifica YZW.
5. Installare un cavo di messa a terra più lungo degli altri cavi.

### ⚠ Avvertenza:

- Accertarsi di usare cavi con le specifiche raccomandate in modo che le connessioni dei terminali non siano sottoposte a sforzi particolari. Qualora le connessioni non siano fissate saldamente, vi è il rischio di surriscaldamento o incendio.
- Accertarsi di utilizzare il corretto interruttore di protezione per sovracorrente. Occorre notare che la sovracorrente generata può includere una certa quantità di corrente diretta.
- Fare attenzione ad installare in modo saldo i coperchi/il pannello della morsettieria dell'unità esterna. Se non vengono installati correttamente, possono insorgere rischi di incendio o di scossa elettrica dovuti a polvere, acqua, ecc.

### ⚠ Cautela:

- Attenzione a non eseguire collegamenti scorretti.
- Stringere saldamente le viti del terminale onde evitare allentamenti.
- Dopo aver serrato le viti, tirare leggermente i fili per accertarne il fissaggio.
- Se il filo di collegamento è mal collegato alla morsettieria, l'unità non funzionerà normalmente.
- Alcune installazioni richiedono l'adozione di un interruttore per dispersione verso terra, per evitare la generazione di scosse elettriche.
- Utilizzare esclusivamente interruttori e fusibili della corretta capacità. L'utilizzo di interruttori, cavi o fili di rame di capacità troppo elevata può causare un cattivo funzionamento dell'unità o un incendio.



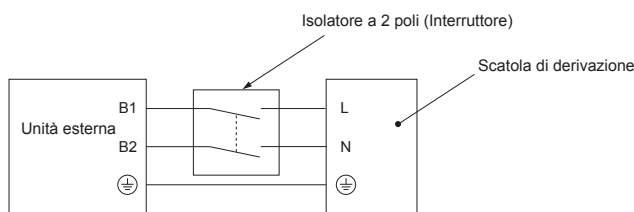
### IMPORTANTE

Accertarsi che l'interruttore del circuito di dispersione sia compatibile con armoniche più alte. Utilizzare sempre un interruttore del circuito di dispersione compatibile con armoniche più alte in quanto questa unità è dotata di inverter. L'uso di un interruttore inadeguato può compromettere il funzionamento dell'inverter.

Non giuntare mai il cavo di alimentazione o il cavo di collegamento unità interna-unità esterna-scatola di derivazione; vi è altrimenti il rischio di emissione di fumo, incendio o errore di comunicazione.

### ⚠ Avvertenza:

- Durante la manutenzione, si prega pertanto di spegnere l'alimentazione principale. Inoltre, non toccare i terminali B1 e B2 quando è inserita l'alimentazione. Qualora sia necessario utilizzare un isolatore tra unità esterna e scatola di derivazione/unità interna e scatola di derivazione, utilizzare un isolatore del tipo a 2 poli.
- (Fare riferimento alla figura in basso.)



### ⚠ Attenzione:

Dopo aver utilizzato l'isolatore, non dimenticare di spegnere e riaccendere l'alimentazione per ripristinare il sistema. È altrimenti possibile che l'unità esterna non riesca a rilevare la o le scatole di derivazione o le unità interne.

Fare attenzione a collegare direttamente alle unità i cavi di collegamento unità esterna-scatola di derivazione/unità interna-scatola di derivazione (senza collegamenti intermedi).

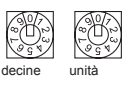
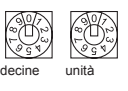
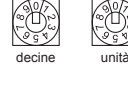
I collegamenti intermedi possono provocare errori di comunicazione qualora nei cavi penetri acqua e provochi una messa a massa insufficiente o un contatto elettrico insoddisfacente al punto di collegamento intermedio.

(Se il collegamento intermedio è necessario, occorre assolutamente prendere misure volte ad evitare la penetrazione di acqua nei cavi.)

## 6. Collegamenti elettrici

### 6.5. Impostazione dell'indirizzo

Impostazione indirizzo interruttori

	Esterna	Scatola di derivazione				Serie interna M, S, P	Serie CITY MULTI																																															
		Indirizzo		Impostazione collegamento																																																		
Interruttore	 decine unità SWU2 SWU1	 decine unità SW12 SW11	<table border="1"> <tr> <td>A</td><td>B</td><td>C</td><td>D</td><td>E</td><td>-</td> </tr> <tr> <td>1</td><td>2</td><td>3</td><td>4</td><td>5</td><td>6</td> </tr> </table>		A	B	C	D	E	-	1	2	3	4	5	6	ON: collegam. unità interna OFF: nessun collegamento (SW1-6 non utilizz.)	Nessuno	 decine unità SW12 SW11																																			
A	B	C	D	E	-																																																	
1	2	3	4	5	6																																																	
Fascia	51 - 100	1 - 50		-		-	1 - 50																																															
Impostazione	Indirizzo unità di controllo M interno o scatola di derivazione +50	• Secondo l'indirizzo impostato (ad esempio, 01), gli indirizzi delle unità interne collegate vengono impostati in sequenza (ad esempio, 02, 03, 04 e 05).		• Specificare se le unità interne sono collegate a ciascuna porta (A, B, C, D ed E).		Non vi sono impostazioni di indirizzo per le unità interne.	-																																															
		<table border="1"> <tr> <td>SW1</td><td>1</td><td>2</td><td>3</td><td>4</td><td>5</td><td></td> </tr> <tr> <td></td><td>ON</td><td>ON</td><td>ON</td><td>ON</td><td>ON</td><td></td> </tr> <tr> <td>Porta</td><td>A</td><td>B</td><td>C</td><td>D</td><td>E</td><td></td> </tr> <tr> <td>Indirizzo</td><td>01</td><td></td><td></td><td></td><td></td><td>(SW11, 12)</td> </tr> <tr> <td></td><td></td><td>02</td><td>03</td><td>04</td><td>05</td><td>(numeri in sequenza)</td> </tr> </table>	SW1	1	2		3	4	5			ON	ON	ON	ON	ON		Porta	A	B	C	D	E		Indirizzo	01					(SW11, 12)			02	03	04	05	(numeri in sequenza)	<table border="1"> <tr> <td>SW1</td><td>1</td><td>2</td><td>3</td><td>4</td><td>5</td><td>(6)</td> </tr> <tr> <td>Porta</td><td>A</td><td>B</td><td>C</td><td>D</td><td>E</td><td>non utilizz.</td> </tr> </table>	SW1	1	2	3	4	5	(6)	Porta	A	B	C	D	E	non utilizz.	Le unità interne sono collegate ON Le unità interne non sono collegate OFF
SW1	1	2	3	4	5																																																	
	ON	ON	ON	ON	ON																																																	
Porta	A	B	C	D	E																																																	
Indirizzo	01					(SW11, 12)																																																
		02	03	04	05	(numeri in sequenza)																																																
SW1	1	2	3	4	5	(6)																																																
Porta	A	B	C	D	E	non utilizz.																																																

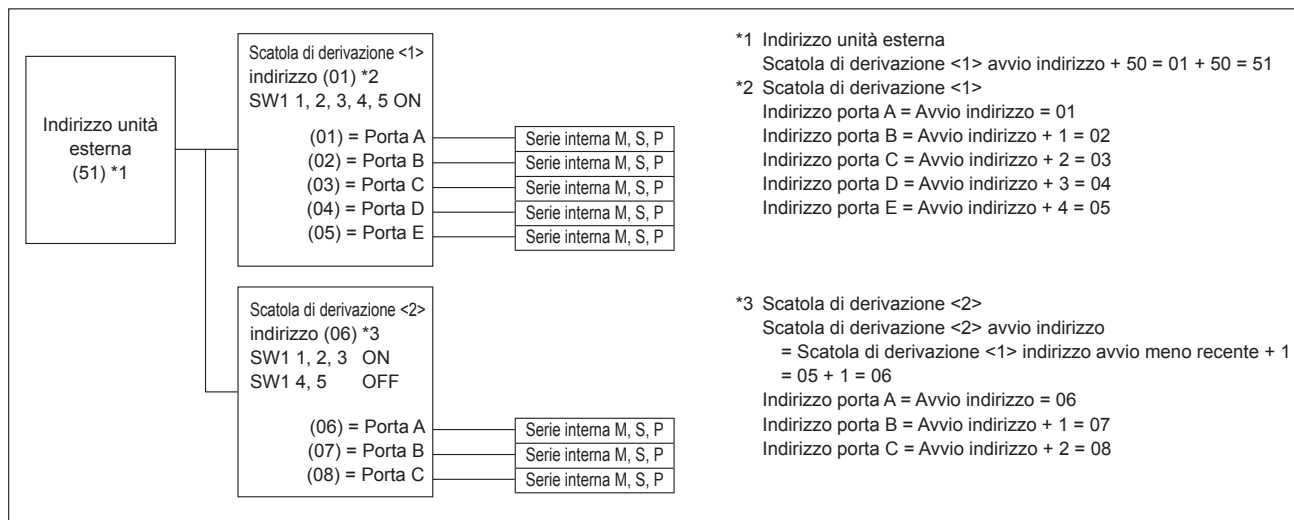
#### Nota: 1. Indirizzo scatola di derivazione

Per l'impostazione dell'indirizzo, utilizzare una cifra compresa tra 1 e 50.

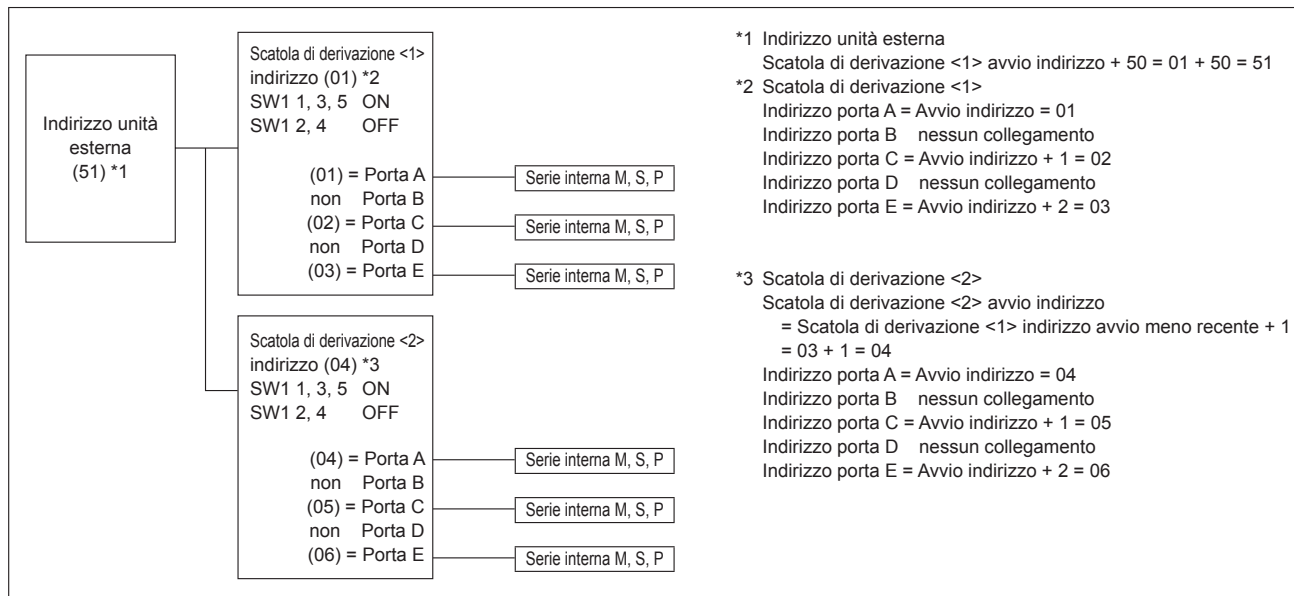
Es. L'indirizzo impostato è (47) e vi sono 5 unità interne (A, B, C, D ed E).

Se A: (47), B: (48), C: (49), D: (50) ed E: (51), E non è corretto, perché supera 50.

Es1. Unità esterna + Derivazione <1> (Serie interna M, S, P, A, B, C, D, E) + Derivazione <2> (Serie interna M, S, P, A, B, C)

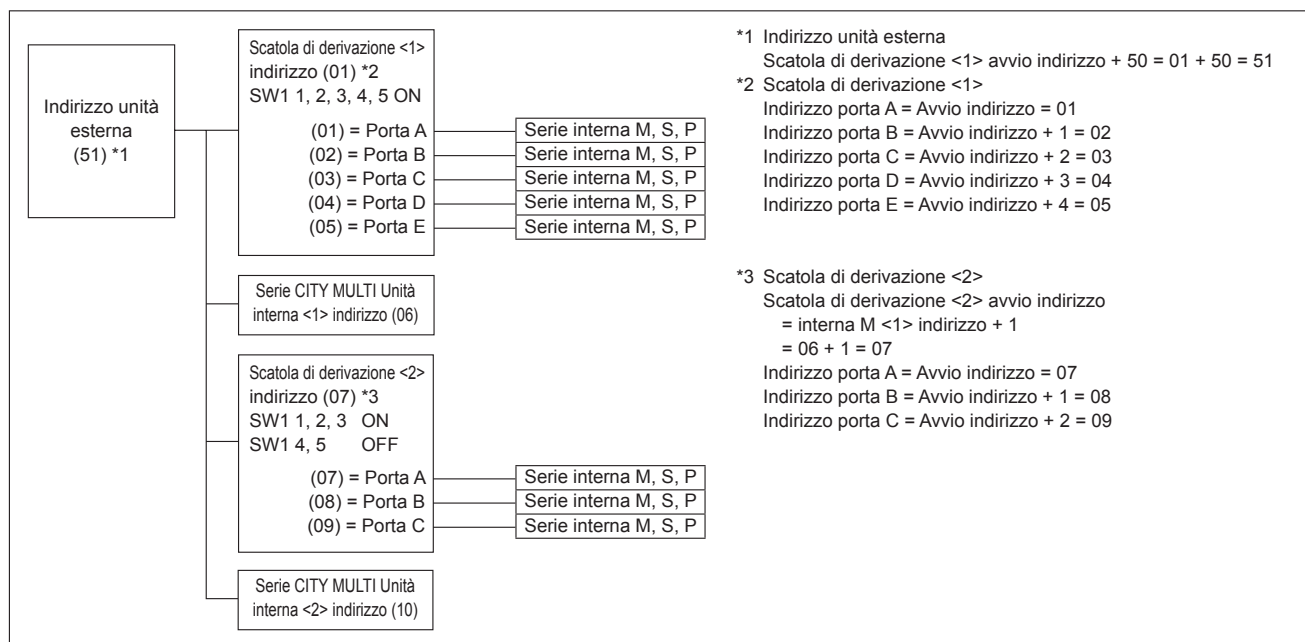


Es2. Unità esterna + Derivazione <1> (Serie interna M, S, P, A, C, E) + Derivazione <2> (Serie interna M, S, P, A, C, E)



## 6. Collegamenti elettrici

Es3. Unità esterna + Derivazione <1> (Serie interna M, S, P, A, B, C, D, E) + Derivazione <2> (Serie interna M, S, P, A, B, C) + Serie interna CITY MULTI <1> + Serie interna CITY MULTI <2>



## 7. Prova di funzionamento

### 7.1. Operazioni preliminari alla prova di funzionamento

- ▶ Dopo aver completato l'installazione, i collegamenti elettrici e le tubazioni delle sezioni interne ed esterne, verificare l'assenza di perdite di refrigerante, allentamenti dei cavi di alimentazione o di comando, errori di polarità e scollegamenti di una fase dell'alimentazione elettrica.
- ▶ Utilizzare un tester M-ohm da 500-volt per controllare che la resistenza tra i morsetti di alimentazione e la massa sia di almeno 1 MΩ.
- ▶ Non eseguire questa prova sui morsetti del cablaggio di controllo (circuito a bassa tensione).

⚠ **Avvertenza:**

Non avviare il condizionatore d'aria se la resistenza dell'isolamento è inferiore a 1 MΩ.

#### Resistenza d'isolamento

Terminata l'installazione o dopo aver staccato l'alimentazione dell'unità per un periodo prolungato, la resistenza d'isolamento scende ad un valore inferiore a 1 MΩ a causa dell'accumulo di refrigerante nel compressore. Non si tratta di un'anomalia. Procedere nel seguente modo.

1. Staccare i cavi dal compressore e misurare la resistenza d'isolamento del compressore.
2. Se la resistenza d'isolamento risulta inferiore a 1 MΩ, significa che il compressore è difettoso o che la resistenza è scesa a causa di un accumulo di refrigerante nel compressore.

3. Dopo aver collegato i cavi al compressore, quest'ultimo inizia a riscaldarsi una volta attivata l'alimentazione. Dopo aver erogato la corrente di alimentazione per gli intervalli indicati di seguito, misurare nuovamente la resistenza d'isolamento.

- La resistenza d'isolamento scende a causa di un accumulo di refrigerante nel compressore. La resistenza sale oltre 1 MΩ dopo che il compressore è stato riscaldato per 12 ore.

(Il tempo necessario per riscaldare il compressore varia in base alle condizioni atmosferiche e all'accumulo di refrigerante).

- Per far funzionare il compressore con il refrigerante accumulato nel compressore e per evitare possibili guasti, quest'ultimo deve essere riscaldato per almeno 12 ore.

4. Se la resistenza d'isolamento sale oltre 1 MΩ, il compressore non è difettoso.

⚠ **Cautela:**

• Il compressore non si avvierà se la connessione della fase di alimentazione non è corretta.

• Accendere l'interruttore di alimentazione principale almeno dodici ore prima dell'avvio dell'unità.

- Un immediato avvio dell'unità dopo l'accensione di questo interruttore può danneggiare le parti interne della stessa. Tenere acceso l'interruttore di alimentazione principale durante la stagione di funzionamento.

▶ **Controllare anche i seguenti punti.**

- L'unità esterna funziona. Il LED sulla scheda di controllo dell'unità esterna lampeggia quando l'unità esterna non funziona.
- Le valvole di arresto del gas e del liquido sono completamente aperte.

### 7.2. Prova di funzionamento

#### 7.2.1. Uso del comando a distanza

Fare riferimento al manuale d'installazione dell'unità interna.

- Accertarsi di eseguire la prova per ogni unità interna. Accertarsi che ogni unità interna funzioni correttamente attenendosi al manuale di installazione in dotazione con l'unità.
- Se si esegue la prova per tutte le unità interne contemporaneamente, non è possibile rilevare un'eventuale collegamento errato dei tubi del refrigerante e dei cavi di collegamento.
- \* Il funzionamento del compressore non è disponibile per 3 minuti almeno dopo l'erogazione di corrente.
- Il compressore può emettere rumore subito dopo l'accensione dell'alimentazione elettrica o in caso di temperatura dell'aria esterna bassa.
- A seconda delle condizioni operative, il ventilatore dell'unità esterna può arrestarsi mentre il compressore è in funzione, ma non si tratta di un malfunzionamento.

#### Informazioni sul meccanismo di protezione riavvio

Quando il compressore si arresta, il dispositivo preventivo di riavvio funziona in maniera tale che il compressore non funzionerà per 3 minuti per proteggere il condizionatore d'aria.

### 7.3. Recupero del refrigerante (Pompaggio)

In caso di spostamento dell'unità interna o dell'unità esterna, raccogliere il refrigerante procedendo come descritto qui di seguito.

- ① Spegner l'interruttore di circuito.
- ② Collegare il lato bassa pressione del manometro all'apertura di servizio della valvola di arresto gas.
- ③ Chiudere la valvola di arresto del liquido.
- ④ Ristabilire l'alimentazione (interruttore di circuito).
  - \* La comunicazione tra unità interna ed esterna si avvia circa 3 minuti dopo l'accensione (interruttore di circuito). Avviare il pompaggio 3 o 4 minuti dopo l'accensione (interruttore di circuito su ON).
- ⑤ Accertarsi che SW3-2 sia posizionato su OFF, quindi posizionare SW3-1 su ON per eseguire la prova di funzionamento in raffreddamento. Il compressore (unità esterna) e i ventilatori (unità interna ed esterna) iniziano a funzionare e si avvia la prova di funzionamento in raffreddamento. Subito dopo avere eseguito la prova di funzionamento in raffreddamento, spostare l'interruttore del punto di intervento di servizio esterno SW2-4 (interruttore di pompaggio) da OFF a ON.
  - \* Non continuare a far funzionare il condizionatore d'aria a lungo con l'interruttore SW2-4 posizionato su ON. Assicurarsi di aver posizionato l'interruttore su OFF al termine del pompaggio.

⑥ Chiudere completamente la valvola di arresto gas quando la pressione misurata dal manometro scende a 0,05 - 0,00 MPa (circa 0,5 - 0,0 kgf/cm<sup>2</sup>)

⑦ Arrestare il condizionatore d'aria (SW3-1: OFF). Spostare l'interruttore del punto di intervento di servizio esterno SW2-4 da ON a OFF.

⑧ Staccare l'alimentazione (interruttore di circuito).

\* Se al sistema di condizionamento d'aria è stato aggiunto troppo refrigerante, la pressione non può scendere a 0,05 MPa (0,5 kgf/cm<sup>2</sup>). In questo caso, utilizzare un dispositivo di raccolta refrigerante per raccogliere tutto il refrigerante presente nel sistema, quindi ricaricare il sistema con la quantità corretta di refrigerante dopo aver spostato le unità interne ed esterne.

⚠ **Avvertenza:**

Quando si esegue il pompaggio del refrigerante, arrestare il compressore prima di scollegare i tubi del refrigerante. Il compressore può esplodere e provocare lesioni fisiche qualora corpi estranei, come l'aria, penetrino nel sistema.

## Περιεχόμενα

1. Προφυλακτικά Μέτρα Ασφαλείας.....	134
2. Θέση εγκατάστασης .....	136
3. Εγκατάσταση της εξωτερικής μονάδας.....	139
4. Εγκατάσταση της σωλήνωσης ψυκτικού υγρού .....	139

5. Εργασίες Σωλήνώσεων Αποχέτευσης.....	146
6. Ηλεκτρικές εργασίες .....	146
7. Δοκιμαστική λειτουργία.....	155

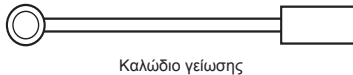
### ⚠ Προσοχή:

- Το R410A δεν πρέπει να διαχέεται στην ατμόσφαιρα.

## Επαλήθευση των εξαρτημάτων που προμηθεύονται

Εκτός από αυτό το εγχειρίδιο, με την εξωτερική μονάδα παραδίδεται και το παρακάτω μέρος.

Χρησιμοποιείται για τη γείωση του ακροδέκτη S της τερματικής μονάδας μετάδοσης TB7. Για λεπτομέρειες, ανατρέξτε στην ενότητα "6. Ηλεκτρικές εργασίες".



Καλώδιο γείωσης

## 1. Προφυλακτικά Μέτρα Ασφαλείας

- ▶ Πριν κάνετε την εγκατάσταση της μονάδας, βεβαιωθείτε ότι διαβάσατε όλα τα "Προφυλακτικά Μέτρα Ασφαλείας".
- ▶ Πριν κάνετε τη σύνδεση στο σύστημα, παρακαλούμε να αναφέρετε ή να ζητήσετε επιβεβαίωση από τον αρμόδιο οργανισμό ανεφοδιασμού.
- ▶ Η σειρά PUMY-P-VKM συμμορφώνεται με το πρότυπο IEC/EN 61000-3-12
- ▶ Η σειρά PUMY-P-VKM και η σειρά PUMY-P-YKME έχουν σχεδιαστεί για χρήση σε οικιακούς και εμπορικούς χώρους, καθώς και σε χώρους ελαφριάς βιομηχανίας.
- ▶ Η σειρά PUMY-P-YKM έχει σχεδιαστεί ως επαγγελματικός εξοπλισμός.
- ▶ Όταν συνδέετε την εσωτερική μονάδα ATW (σειρά EHST20C και EHSC) με μοντέλο 3 φάσεων, χρησιμοποιήστε το PUMY-P-YKME4.

### ⚠ Προειδοποίηση:

Περιγράφει τα μέτρα ασφαλείας που πρέπει να λαμβάνονται για την πρόληψη του κινδύνου τραυματισμού ή και θανάτου του χρήστη.

### ⚠ Προσοχή:

Περιγράφει προφυλακτικά μέτρα που πρέπει να λαμβάνονται για ν'αποφεύγεται βλάβη στη μονάδα.

### ⚠ Προειδοποίηση:

- Η εγκατάσταση της μονάδας δεν πρέπει να γίνεται από το χρήστη. Ζητήστε από τον αντιπρόσωπο ή από εξουσιοδοτημένο τεχνικό να εγκαταστήσει τη μονάδα. Αν η εγκατάσταση της μονάδας δεν γίνει σωστά, μπορεί να προκληθεί διαρροή νερού, ηλεκτροπληξία ή πυρκαγιά.
- Για τις εργασίες εγκατάστασης, ακολουθήστε τις οδηγίες που υπάρχουν στο εγχειρίδιο Εγκατάστασης και χρησιμοποιήστε τα κατάλληλα εργαλεία και τα εξαρτήματα σωλήνων που είναι ειδικά κατασκευασμένα για χρήση με το ψυκτικό R410A. Το ψυκτικό R410A στο σύστημα HFC βρίσκεται υπό 1,6 φορές μεγαλύτερη πίεση από την πίεση των κοινών ψυκτικών. Αν χρησιμοποιηθούν εξαρτήματα σωλήνων που δεν προορίζονται για χρήση με το ψυκτικό R410A και η εγκατάσταση της μονάδας δεν γίνει σωστά, οι σωλήνες μπορεί να σπαστούν και να προκαλέσουν ζημιές ή τραυματισμούς. Επίσης, μπορεί να προκληθεί διαρροή νερού, ηλεκτροπληξία ή πυρκαγιά.
- Η εγκατάσταση της μονάδας πρέπει να γίνει σύμφωνα με τις οδηγίες προκειμένου να ελαχιστοποιηθεί ο κίνδυνος ζημιάς από σεισμούς, τυφώνες ή δυνατούς ανέμους. Όταν η μονάδα δεν είναι σωστά εγκατεστημένη, μπορεί να πέσει και να προκαλέσει ζημιά ή τραυματισμό.
- Η μονάδα πρέπει να εγκατασταθεί και να στερεωθεί καλά σε μια επιφάνεια που μπορεί να αντέξει το βάρος της. Αν η μονάδα τοποθετηθεί σε ασταθή επιφάνεια, μπορεί να πέσει και να προκαλέσει τραυματισμούς.
- Αν το κλιματιστικό πρόκειται να εγκατασταθεί σε μικρό χώρο, πρέπει να ληφθούν μέτρα προκειμένου να αποτραπεί η συγκέντρωση ψυκτικού στο δωμάτιο επάνω από το όριο ασφαλείας σε περίπτωση που σημειωθεί διαρροή. Συμβουλευτείτε τον αντιπρόσωπο για τα κατάλληλα μέτρα που πρέπει να λάβετε προκειμένου να αποτρέψετε την υπέρβαση των ορίων ασφαλείας όσον αφορά τη συγκέντρωση ψυκτικού. Αν σημειωθεί διαρροή ψυκτικού και υπέρβαση του ορίου συγκέντρωσης, υπάρχει σοβαρός κίνδυνος για την υγεία εξαιτίας της έλλειψης οξυγόνου στο δωμάτιο.
- Αερίστε το χώρο σε περίπτωση διαρροής ψυκτικού κατά τη λειτουργία της μονάδας. Αν το ψυκτικό έρθει σε επαφή με φλόγα, θα απελευθερωθούν δηλητηριώδη αέρια.
- Όλες οι ηλεκτρικές εργασίες πρέπει να εκτελούνται από εκπαιδευμένο τεχνικό και σύμφωνα με τους τοπικούς κανονισμούς και τις οδηγίες που δίνονται σε αυτό το εγχειρίδιο. Τα κλιματιστικά πρέπει να τροφοδοτούνται από ξεχωριστές γραμμές και να χρησιμοποιείται η σωστή τάση καθώς και οι κατάλληλοι ασφαλειοδιακόπτες. Οι γραμμές τροφοδοσίας με ανεπαρκή ισχύ ή οι εσφαλμένες ηλεκτρικές συνδέσεις μπορεί να προκαλέσουν ηλεκτροπληξία ή πυρκαγιά.
- Χρησιμοποιήστε φωσφορούχο κρατέρωμα C1220 για τη σύνδεση των σωλήνώσεων ψυκτικού, όταν έχετε χαλκοσωλήνες και σωλήνες κράματος χαλκού χωρίς ενώσεις. Αν η σύνδεση των σωλήνώσεων δεν γίνει σωστά, η μονάδα δεν θα είναι κατάλληλα γειωμένη και μπορεί να προκληθεί ηλεκτροπληξία.

Αφού ολοκληρωθούν οι εργασίες για την εγκατάσταση, περιγράψτε στον πελάτη τα "Προφυλακτικά Μέτρα Ασφαλείας", τη χρήση και τη συντήρηση της μονάδας σύμφωνα με τις πληροφορίες στο Εγχειρίδιο Λειτουργίας και εκτελέστε τη δοκιμαστική λειτουργία για να σιγουρευτείτε ότι η μονάδα λειτουργεί κανονικά. Το Εγχειρίδιο Εγκατάστασης και το Εγχειρίδιο Λειτουργίας πρέπει να δοθούν στο χρήστη για αναφορά. Τα εγχειρίδια αυτά πρέπει να δίνονται και στους επόμενους χρήστες της μονάδας.

⚠ : Δείχνει μέρος της συσκευής που πρέπει να γειώνεται.

### ⚠ Προειδοποίηση:

Διαβάξτε προσεκτικά τις ετικέτες που είναι κολλημένες πάνω στην κύρια μονάδα.

- Χρησιμοποιείτε μόνο τα συνιστώμενα καλώδια για την καλωδίωση. Οι συνδέσεις της καλωδίωσης πρέπει να γίνονται σωστά χωρίς να ασκείται πίεση στις συνδέσεις των τερματικών. Επίσης, ποτέ μη συγκολλήσετε τα καλώδια για την καλωδίωση (εκτός αν αναφέρεται διαφορετικά σε αυτό το έγγραφο). Σε περίπτωση που δεν ακολουθήσετε αυτές τις οδηγίες μπορεί να προκληθεί υπερθέρμανση ή πυρκαγιά.
- Το κάλυμμα της πλακέτας ακροδεκτών της εξωτερικής μονάδας πρέπει να είναι καλά στερεωμένο στη θέση του. Αν το κάλυμμα δεν τοποθετηθεί σωστά και εισχωρήσει στη μονάδα σκόνη και υγρασία, μπορεί να προκληθεί ηλεκτροπληξία ή πυρκαγιά.
- Κατά την εγκατάσταση ή τη μετακίνηση του κλιματιστικού, χρησιμοποιείτε μονό το συνιστώμενο ψυκτικό (R410A) για την πλήρωση των γραμμών ψυκτικού. Μην το αναμιγνύετε με άλλο ψυκτικό μέσο και μην αφήνετε τον αέρα να παραμείνει μέσα στις γραμμές.
- Εάν αναμιχθεί αέρας με το ψυκτικό, ενδέχεται να προκαλέσει ασυνήθιστα υψηλή πίεση στη γραμμή ψυκτικού, με ενδεχόμενο έκρηξης και άλλους κινδύνους. Η χρήση ψυκτικού διαφορετικού από αυτό που καθορίζεται για το σύστημα θα προκαλέσει μηχανική βλάβη ή δυσλειτουργία του συστήματος ή ζημιά στο σύστημα. Στη χειρότερη περίπτωση, μια τέτοια ενέργεια ενδέχεται να υπονομεύσει την ασφάλεια του προϊόντος.
- Χρησιμοποιείτε μόνο εγκεκριμένα εξαρτήματα από την Mitsubishi Electric και για την εγκατάστασή τους καλέστε τον αντιπρόσωπο ή εξουσιοδοτημένο τεχνικό. Αν τα εξαρτήματα δεν εγκατασταθούν σωστά, μπορεί να προκληθεί διαρροή νερού, ηλεκτροπληξία ή πυρκαγιά.
- Μην επιχειρήσετε να τροποποιήσετε τη μονάδα. Απευθυνθείτε στον αντιπρόσωπο για εργασίες επισκευής. Αν οι τροποποιήσεις ή οι επισκευές δεν εκτελεστούν σωστά, μπορεί να προκύψει διαρροή νερού, ηλεκτροπληξία ή πυρκαγιά.
- Ο χρήστης δεν πρέπει ποτέ να επιχειρήσει να επισκευάσει τη μονάδα ή να τη μεταφέρει σε άλλη θέση χωρίς τη βοήθεια ειδικού προσωπικού. Αν η μονάδα δεν εγκατασταθεί σωστά, μπορεί να προκληθεί διαρροή νερού, ηλεκτροπληξία ή πυρκαγιά. Αν το κλιματιστικό πρέπει να επισκευαστεί ή να μεταφερθεί, ζητήστε τη βοήθεια του αντιπροσώπου ή ενός εκπαιδευμένου τεχνικού.
- Αφού ολοκληρωθεί η εγκατάσταση, ελέγξτε για τυχόν διαρροές ψυκτικού. Αν υπάρχει διαρροή ψυκτικού στο δωμάτιο και έρθει σε επαφή με τη φλόγα μιας ηλεκτρικής θερμάστρας ή μιας φορητής εστίας μαγειρέματος, υπάρχει κίνδυνος να απελευθερωθούν δηλητηριώδη αέρια.
- Η συσκευή πρέπει να εγκαθίσταται σύμφωνα με τους εθνικούς κανονισμούς περί καλωδίωσης.
- Εάν το καλώδιο τροφοδοσίας έχει υποστεί ζημιά, η αντικατάστασή του πρέπει να πραγματοποιηθεί από τον κατασκευαστή, τον αντιπρόσωπο του σέρβις ή από άτομο με παρόμοια κατάρτιση, προκειμένου να αποφευχθεί ενδεχόμενος κίνδυνος.

# 1. Προφυλακτικά Μέτρα Ασφαλείας

## 1.1. Προετοιμασία για την εγκατάσταση

### ⚠ Προσοχή:

- Μην χρησιμοποιείτε τη μονάδα σε ασυνήθιστους χώρους. Αν το κλιματιστικό εγκατασταθεί σε χώρους όπου υπάρχουν ατμοί, πτητικό λάδι (συμπεριλαμβανομένων των λαδιών μηχανημάτων) ή θειικά αέρια, σε περιοχές όπου υπάρχει υψηλή περιεκτικότητα σε αλάτι όπως τα παράλια, ή σε χώρους όπου υπάρχει ενδεχόμενο η μονάδα να σκεπαστεί με χιόνι, η απόδοσή του μπορεί να μειωθεί σημαντικά και τα εσωτερικά του μέρη να καταστραφούν.
- Μην εγκαθιστάτε τη μονάδα σε σημεία όπου υπάρχει κίνδυνος διαρροής, απελευθέρωσης, κυκλοφορίας ή συγκέντρωσης εύφλεκτων αερίων. Αν γύρω από τη μονάδα συγκεντρωθούν εύφλεκτα αέρια, υπάρχει κίνδυνος πυρκαγιάς ή έκρηξης.
- Στην εξωτερική μονάδα δημιουργείται συμπύκνωση νερού κατά τη λειτουργία θέρμανσης. Φροντίστε για την αποστράγγιση του νερού που βγαίνει γύρω από την εξωτερική μονάδα εάν υπάρχει κίνδυνος να προκαλέσει ζημιές.
- Όταν πρόκειται να εγκαταστήσετε τη μονάδα σε νοσοκομεία ή σε σταθμούς τηλεπικοινωνιών, πρέπει να γνωρίζετε ότι κάνει θόρυβο και προκαλεί ηλεκτρονικές παρεμβολές. Οι μετασχηματιστές συνεχούς ρεύματος, οι οικιακές συσκευές, τα ιατρικά μηχανήματα υψηλής συχνότητας και οι πομποί ραδιοσυχνότητων μπορεί να προκαλέσουν δυσλειτουργία ή και βλάβη του κλιματιστικού. Το κλιματιστικό μπορεί επίσης να επηρεάσει τη σωστή λειτουργία των ιατρικών μηχανημάτων, παρεμποδίζοντας την ιατρική φροντίδα, και του τηλεπικοινωνιακού εξοπλισμού, επηρεάζοντας την ποιότητα της τηλεοπτικής εικόνας.

## 1.2. Προετοιμασία για την εγκατάσταση (μεταφορά)

### ⚠ Προσοχή:

- Όταν μεταφέρετε τη μονάδα, πρέπει να είστε ιδιαίτερα προσεκτικοί. Για τη μεταφορά της μονάδας, η οποία ζυγίζει τουλάχιστον 20 kg, χρειάζονται δύο ή και περισσότερα άτομα. Μην τη σηκώνετε από τις ταινίες συσκευασίας. Φοράτε προστατευτικά γάντια για να βγάλετε τη μονάδα από τη συσκευασία της και να την μεταφέρετε, γιατί τα χέρια σας μπορεί να τραυματιστούν στα περύγια ή σε άλλα μέρη της μονάδας.
- Βεβαιωθείτε ότι τα υλικά συσκευασίας έχουν πεταχτεί σε ασφαλές μέρος. Τα υλικά συσκευασίας, όπως τα καρφιά και άλλα μεταλλικά ή ξύλινα μέρη, μπορεί να προκαλέσουν κοψίματα ή άλλους τραυματισμούς.
- Η βάση και τα σημεία στήριξης της εξωτερικής μονάδας πρέπει να ελέγχονται περιοδικά μήπως έχουν χαλαρώσει, σπάσει ή έχουν υποστεί άλλη ζημιά. Αν δεν διορθώσετε τις ζημιές αυτές, η μονάδα μπορεί να πέσει προκαλώντας ζημιά ή τραυματισμούς.
- Μην καθαρίζετε το κλιματιστικό με νερό. Μπορεί να πάθετε ηλεκτροπληξία.
- Σφίξτε όλα τα περικόχλια εκχείλωσης σύμφωνα με τις προδιαγραφές χρησιμοποιώντας ένα δυναμόκλειδο. Αν τα σφίξετε πάρα πολύ, μπορεί να σπάσουν μετά από ορισμένο χρονικό διάστημα και να σημειωθεί διαρροή ψυκτικού.

## 1.3. Προετοιμασία για τις ηλεκτρικές εργασίες

### ⚠ Προσοχή:

- Φροντίστε να τοποθετήσετε διακόπτες κυκλώματος. Διαφορετικά, μπορεί να προκληθεί ηλεκτροπληξία.
- Για τις γραμμές τροφοδοσίας, χρησιμοποιήστε καλώδια του εμπορίου επαρκούς ισχύος. Διαφορετικά, μπορεί να προκληθεί βραχυκύκλωμα, υπερθέρμανση ή πυρκαγιά.
- Όταν συνδέετε τις γραμμές τροφοδοσίας, μην τεντώνετε υπερβολικά τα καλώδια. Αν οι συνδέσεις χαλαρώσουν, τα καλώδια μπορεί να σπάσουν με συνέπεια να προκληθεί υπερθέρμανση ή πυρκαγιά.
- Φροντίστε να γειώσετε τη μονάδα. Μην συνδέετε το καλώδιο γείωσης σε σωλήνες αερίου ή υγρού, κολώνες ρεύματος ή τηλεφωνικές γραμμές. Αν η μονάδα δεν είναι κατάλληλα γειωμένη, μπορεί να προκληθεί ηλεκτροπληξία.
- Χρησιμοποιήστε διακόπτες κυκλώματος (διακόπτης κυκλώματος βλάβης γείωσης, διακόπτης απομόνωσης κυκλώματος (ασφάλεια +B), και διακόπτης κυκλώματος σε χυτευτό κουτί) με την ενδεδειγμένη χωρητικότητα. Αν η χωρητικότητα του διακόπτη κυκλώματος είναι μεγαλύτερη από την ενδεδειγμένη, μπορεί να προκληθεί βλάβη ή πυρκαγιά.

## 1.4. Πριν τη δοκιμαστική λειτουργία

### ⚠ Προσοχή:

- Ανοίξτε τον κεντρικό διακόπτη τροφοδοσίας 12 ώρες τουλάχιστον πριν την έναρξη της λειτουργίας. Η έναρξη λειτουργίας της μονάδας αμέσως αφού ανοίξετε τον κεντρικό διακόπτη τροφοδοσίας μπορεί να προκαλέσει σοβαρή ζημιά στα εσωτερικά της μέρη. Μην κλείνετε τον κεντρικό διακόπτη τροφοδοσίας την περίοδο λειτουργίας του κλιματιστικού.
- Πριν την έναρξη της λειτουργίας, ελέγξτε ότι όλα τα πλαίσια, οι διατάξεις ασφαλείας και άλλα προστατευτικά μέρη είναι σωστά τοποθετημένα. Μέρη που περιστρέφονται, έχουν υψηλή θερμοκρασία ή υψηλή τάση μπορεί να προκαλέσουν τραυματισμούς.
- Μην αγγίζετε τους διακόπτες με βρεγμένα χέρια. Μπορεί να πάθετε ηλεκτροπληξία.
- Μην αγγίζετε τους σωλήνες ψυκτικού με γυμνά χέρια όταν λειτουργεί το κλιματιστικό. Οι σωλήνες ψυκτικού είναι πολύ ζεστοί ή πολύ κρύοι ανάλογα με την κατάσταση του κυκλοφορούντος ψυκτικού μέσου. Αν αγγίξετε τους σωλήνες, μπορεί να πάθετε εγκαύματα ή κρυοπαγήματα.
- Αφού σταματήσει να λειτουργεί το κλιματιστικό, περιμένετε τουλάχιστον πέντε λεπτά πριν κλείσετε τον κεντρικό διακόπτη τροφοδοσίας. Διαφορετικά, μπορεί να προκληθεί διαρροή ή βλάβη.

## 1.5. Χρήση κλιματιστικών με ψυκτικό μέσο R410A

### ⚠ Προσοχή:

- Χρησιμοποιήστε φωσφορούχο κρατέρωμα C1220 για τη σύνδεση των σωληνώσεων ψυκτικού, όταν έχετε χαλκοσωλήνες και σωλήνες κράματος χαλκού χωρίς ενώσεις. Βεβαιωθείτε ότι οι εσωτερικές επιφάνειες των σωληνών είναι καθαρές και δεν περιέχουν επικίνδυνες προσμίξεις όπως θειικές ενώσεις, οξειδωτικά, ρινίσματα ή σκόνη. Χρησιμοποιείτε σωλήνες με το συνιστώμενο πάχος. (Ανατρέξτε στη σελίδα 139) Αν πρόκειται να χρησιμοποιήσετε ξανά παλιούς σωλήνες που περιείχαν ψυκτικό R22, προσέξτε τα παρακάτω.
- Αντικαταστήστε τα παλιά περικόχλια εκχείλωσης και εκχειλίστε ξανά τα διαπλάτυσιμα τμήματα.
- Μην χρησιμοποιείτε σωλήνες με πολύ μικρό πάχος. (Ανατρέξτε στη σελίδα 139)
- Φυλάξτε τους σωλήνες που θα χρησιμοποιήσετε στην εγκατάσταση σε εσωτερικό χώρο και σφραγίστε και τα δύο άκρα των σωληνών μέχρι να εκτελέσετε τις εργασίες χαλκοκόλλησης. (Μην βγάλετε τα γωνιακά ρακόρ κτλ. από τη συσκευασία τους.) Αν στις σωληνώσεις ψυκτικού μπουν σκόνη, ρινίσματα ή υγρασία, υπάρχει κίνδυνος να προκληθεί αλλοίωση της ποιότητας του λαδιού ή βλάβη του συμπιεστή.
- Χρησιμοποιήστε λάδι εστέρα, λάδι αιθέρα ή αλκυλοβενζόλη (μικρή ποσότητα) σαν ψυκτικό λάδι για την εφαρμογή στα διαπλάτυσιμα τμήματα. Το ψυκτικό λάδι αν αναμιχθεί με ορυκτέλαιο, θα αλλοιωθεί.
- Μην χρησιμοποιείτε άλλο ψυκτικό από το R410A. Αν χρησιμοποιήσετε άλλο ψυκτικό, το χλώριο στο ψυκτικό μπορεί να προκαλέσει αλλοίωση στην ποιότητα του λαδιού.
- Χρησιμοποιήστε τα παρακάτω εργαλεία που προορίζονται ειδικά για χρήση με το ψυκτικό R410A. Τα παρακάτω εργαλεία είναι απαραίτητα για τη χρήση ψυκτικού R410A. Για τυχόν απορίες, απευθυνθείτε στον πλησιέστερο αντιπρόσωπο.

Εργαλεία (για R410A)	
Πολλαπλός μετρητής	Εργαλείο διαπλάτυσης
Σωλήνας πλήρωσης	Μετρητής διαστάσεων
Ανιχνευτής διαρροής αερίου	Σωλήνας αντλίας κενού
Δυναμόκλειδο	Ηλεκτρονικός ζυγός πλήρωσης ψυκτικού

- Χρησιμοποιείτε πάντα τα κατάλληλα εργαλεία. Αν στις σωληνώσεις ψυκτικού μπουν σκόνη, ρινίσματα ή υγρασία, υπάρχει κίνδυνος να προκληθεί αλλοίωση του ψυκτικού λαδιού.
- Μην χρησιμοποιείτε κύλινδρο γόμωσης. Αν χρησιμοποιήσετε κύλινδρο γόμωσης, η σύνθεση του ψυκτικού μέσου θα αλλάξει και θα μειωθεί η απόδοσή του.

## 2. Θέση εγκατάστασης

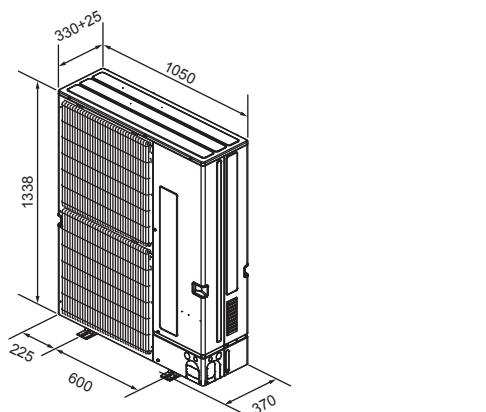


Fig. 2-1

Πίνακας 2 Ποσότητες συνδέσιμων εσωτερικών μονάδων

• Εσωτερικές μονάδες City Multi

P112	1-9 *1
P125	1-10 *2
P140	1-12 *3

\*1 Όταν συνδέονται εσωτερικές μονάδες σειράς M μέσω κιτ σύνδεσης, μπορούν να συνδεθούν 10 εσωτερικές μονάδες.

\*2 Όταν συνδέονται εσωτερικές μονάδες σειράς M μέσω κιτ σύνδεσης, μπορούν να συνδεθούν 12 εσωτερικές μονάδες.

\*3 Όταν όλες οι εσωτερικές μονάδες είναι μοντέλα P15, μπορούν να συνδεθούν 12 εσωτερικές μονάδες.

• Σύστημα κουτιού διακλάδωσης (εσωτερικές μονάδες M, S, P μέσω κουτιού διακλάδωσης)

P112	2-8
P125	2-8
P140	2-8

• Μικτό σύστημα (εσωτερικές μονάδες City Multi και εσωτερικές μονάδες σειράς M, S, P μέσω κουτιού διακλάδωσης)

	Κουτί μίας διακλάδωσης		Κουτί δύο διακλάδωσεων	
	Μέσω κουτιού διακλάδωσης	Εσωτερική μονάδα City Multi	Μέσω κουτιού διακλάδωσης	Εσωτερική μονάδα City Multi
P112	Μέγ. 5	Μέγ. 5*1	Μέγ. 7 Μέγ. 8	Μέγ. 3*1 Μέγ. 2*1
P125	Μέγ. 5	Μέγ. 5*1	Μέγ. 8	Μέγ. 3*1
P140	Μέγ. 5	Μέγ. 5*1	Μέγ. 8	Μέγ. 3*1

\*1 Δεν είναι δυνατή η χρήση των εσωτερικών μονάδων τύπου PKFY-P-VBM, PFFY-P-VKM και PFFY-P-VL\* σε ένα μικτό σύστημα.

Πίνακας 3 Προδιαγραφές μονάδας PWFY

Μοντέλο		PWFY-P100VM-E-AU
Εύρος θερμοκρασίας θέρμανσης	Εξωτερική θερμοκρασία	-15 έως 21°C (Ξηρός βολβός), -15 έως 15°C (Υγρός βολβός)
	Θερμοκρασία νερού εισόδου	10 έως 45°C
Εύρος θερμοκρασίας ψύξης	Εξωτερική θερμοκρασία	-
	Θερμοκρασία νερού εισόδου	-

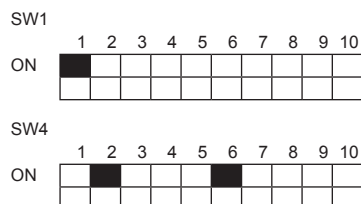


Fig. 2-2

### 2.1. Σωλήνες ψυκτικού

Ανατρέξτε στην Fig. 4-1.

### 2.2. Επιλογή σημείου εγκατάστασης εξωτερικής μονάδας

- Αποφύγετε σημεία άμεσα εκτεθειμένα στην ηλιακή ακτινοβολία ή σε άλλες πηγές θερμότητας.
- Επιλέξτε ένα σημείο στο οποίο ο θόρυβος που εκπέμπεται από τη μονάδα να μην ενοχλεί τους γείτονες.
- Επιλέξτε μια θέση που επιτρέπει την εύκολη σύνδεση των καλωδίων και των σωλήνων στην πηγή τροφοδοσίας και στην εσωτερική μονάδα.
- Αποφύγετε σημεία όπου υπάρχει κίνδυνος διαρροής, απελευθέρωσης, κυκλοφορίας ή συγκέντρωσης εύφλεκτων αερίων.
- Έχετε υπόψη σας ότι κατά τη λειτουργία του κλιματιστικού, μπορεί να τρέχει νερό από τη μονάδα.
- Επιλέξτε μια επίπεδη επιφάνεια η οποία να μπορεί να αντέξει το βάρος και τους κραδασμούς της μονάδας.
- Αποφύγετε σημεία όπου η μονάδα μπορεί να σκεπαστεί με χιόνι. Σε περιοχές όπου σημειώνονται δυνατές χιονοπτώσεις, πρέπει να παίρνετε ειδικές προφυλάξεις, όπως η ανύψωση της θέσης εγκατάστασης ή η τοποθέτηση κουκούλας στη θυρίδα εισαγωγής του αέρα, ώστε να μην μπλοκάρει με χιόνι και να αποφεύγεται η απευθείας πτώση του χιονιού. Σε αντίθετη περίπτωση, μπορεί να μειωθεί η ποσότητα της ροής του αέρα και να προκληθεί βλάβη.
- Αποφύγετε μέρη εκτεθειμένα σε λάδια, ατμούς ή θετικά αέρια.
- Χρησιμοποιείτε τις λαβές μεταφοράς της εξωτερικής μονάδας όταν πρόκειται να μετακινήσετε τη μονάδα. Αν μεταφέρετε τη μονάδα κρατώντας την από την κάτω πλευρά της, μπορεί να τραυματιστούν τα δάχτυλα ή τα χέρια σας.

### 2.3. Εξωτερικές διαστάσεις (Εξωτερική μονάδα) (Fig. 2-1)

Περιορισμοί στην εγκατάσταση της εσωτερικής μονάδας

Πρέπει να γνωρίζετε ότι οι εσωτερικές μονάδες που μπορούν να συνδεθούν σε αυτή την εξωτερική μονάδα είναι τα ακόλουθα μοντέλα.

- Οι εσωτερικές μονάδες με αριθμό μοντέλου 15-140 μπορούν να συνδεθούν.
- Όταν χρησιμοποιείται κουτί διακλάδωσης, μπορούν να συνδεθούν εσωτερικές μονάδες με αριθμούς μοντέλου 15-100. Ανατρέξτε στον πίνακα 1 παρακάτω για πιθανούς συνδυασμούς χώρων, εσωτερικής μονάδας.

#### Επαλήθευση

Η ονομαστική χωρητικότητα καθορίζεται από τον παρακάτω πίνακα. Υπάρχει περιορισμός στις ποσότητες των μονάδων όπως φαίνεται και στον πίνακα 2 που ακολουθεί. Για το επόμενο βήμα, βεβαιωθείτε ότι η συνολική ονομαστική χωρητικότητα του επιλεγμένου συνδυασμού θα παραμείνει μεταξύ του 50% - 130% της χωρητικότητας της εξωτερικής μονάδας.

- PUMY-P112 6,3 - 16,2 kW
- PUMY-P125 7,1 - 18,2 kW
- PUMY-P140 8,0 - 20,2 kW

Πίνακας 1-1 Εσωτερικές μονάδες City Multi (σειρά P-FY)

Τύπος εσωτερικής μονάδας	P15*	P20	P25	P32	P40	P50	P63	P71	P80	P100	P125	P140
Ονομαστική ικανότητα (ψυκτική) (kW)	1,7	2,2	2,8	3,6	4,5	5,6	7,1	8,0	9,0	11,2	14,0	16,0

Πίνακας 1-2 (σειρές M, σειρές P, σειρές S)

Τύπος εσωτερικής μονάδας	15	20	22	25	35	42	50	60	71	80	100
Ονομαστική ικανότητα (ψυκτική) (kW)	1,5	2,0	2,2	2,5	3,5	4,2	5,0	6,0	7,1	8,0	10,0

Στους συνδυασμούς στους οποίους η συνολική ικανότητα των εσωτερικών μονάδων υπερβαίνει την ικανότητα της εξωτερικής μονάδας, η ψυκτική ικανότητα κάθε εσωτερικής μονάδας μειώνεται κάτω από την ονομαστική της τιμή. Επομένως, πρέπει να συνδυάζετε εσωτερικές μονάδες που να μην υπερβαίνουν την ικανότητα της εξωτερικής μονάδας, εφόσον αυτό είναι δυνατό.

\* Όταν όλες οι εσωτερικές μονάδες είναι μοντέλα των P15, μπορούν να συνδεθούν 12 εσωτερικές μονάδες σε 1 εξωτερική μονάδα.

### 2.4. Σύνδεση μονάδας PWFY

Κατά τη χρήση μονάδας PWFY ως μονάδας εσωτερικού χώρου, λάβετε υπόψη σας τα ακόλουθα σημεία επειδή η μονάδα PWFY διαφέρει από τις υπόλοιπες μονάδες εσωτερικού χώρου.

Δεν είναι δυνατή η σύνδεση μονάδας PWFY εντός της ΕΕ.

#### 2.4.1. Περιορισμοί σύνδεσης

- Είναι δυνατή η σύνδεση μόνο 1 μονάδας PWFY-P100VM-E-AU. Δεν είναι δυνατή η σύνδεση των μονάδων PWFY-P200VM-E-AU και PWFY-P100VM-E-BU.
- Η μονάδα PWFY δεν μπορεί να είναι η μόνη μονάδα που είναι συνδεδεμένη σε εξωτερική μονάδα. Επιλέξτε μια εξωτερική μονάδα ώστε η συνολική ονομαστική ισχύς των εσωτερικών μονάδων, εκτός της μονάδας PWFY, να είναι 50 - 100% της ισχύος της εξωτερικής μονάδας. Όρια για τη συνολική ονομαστική ισχύ των εσωτερικών μονάδων κατά τη σύνδεση μονάδας PWFY:
  - PUMY-P112 (1 μονάδα PWFY + μονάδες που δεν είναι PWFY [6,3 - 12,5 kW])
  - PUMY-P125 (1 μονάδα PWFY + μονάδες που δεν είναι PWFY [7,1 - 14,0 kW])
  - PUMY-P140 (1 μονάδα PWFY + μονάδες που δεν είναι PWFY [8,0 - 15,5 kW])

#### 2.4.2. Προδιαγραφές μονάδας εσωτερικού χώρου

- Κατά τη σύνδεση μονάδας PWFY σε μονάδα PUMY, αλλάζουν οι ακόλουθες προδιαγραφές.
- Η μονάδα PWFY λειτουργεί μόνο σε κατάσταση θέρμανσης. Η μονάδα PWFY δεν είναι δυνατό να λειτουργεί σε κατάσταση ψύξης. Ωστόσο, οι εσωτερικές μονάδες εκτός της μονάδας PWFY μπορούν να λειτουργήσουν σε κατάσταση ψύξης.
- Οι υπόλοιπες εσωτερικές μονάδες μπορούν να λειτουργούν ταυτόχρονα με τη μονάδα PWFY.
- Έχει προτεραιότητα η λειτουργία της μονάδας PWFY. Όταν η μονάδα PWFY βρίσκεται σε κατάσταση λειτουργίας, οι υπόλοιπες εσωτερικές μονάδες σταματούν.
- Η ρύθμιση θερμοκρασίας στο τηλεχειριστήριο είναι η τιμή-στόχος για τη θερμοκρασία του νερού εξόδου.

#### 2.4.3. Ρυθμίσεις διακόπτη (Fig. 2-2)

Κατά τη σύνδεση μονάδας PWFY σε μονάδα PUMY, ρυθμίστε τους διακόπτες DIP SW1-1, SW4-2 και SW4-6 της μονάδας PWFY στη θέση ON (ΕΝΕΡΓΟΠΟΙΗΣΗ).

#### 2.4.4. Δοκιμαστική λειτουργία

Εάν η δοκιμαστική λειτουργία πραγματοποιηθεί χρησιμοποιώντας τους διακόπτες της εξωτερικής μονάδας, η μονάδα PWFY δεν θα λειτουργήσει. Πραγματοποιήστε τη δοκιμαστική λειτουργία χρησιμοποιώντας τους διακόπτες της μονάδας PWFY ή του τηλεχειριστηρίου. Για πληροφορίες σχετικά με την πραγματοποίηση της δοκιμαστικής λειτουργίας, ανατρέξτε στο βιβλίο δεδομένων ή στο εγχειρίδιο συντήρησης της μονάδας PWFY.

#### 2.4.5. Εκκένωση του ψυκτικού (Αντληση)

Το βήμα ① της διαδικασίας συμπίεσης καθοδηγεί του χρήστες να επιλέξουν "λειτουργία ψύξης σε όλες τις εσωτερικές μονάδες". Ωστόσο, η μονάδα PWFY δεν λειτουργεί σε κατάσταση ψύξης. Πραγματοποιήστε λειτουργία όλων των εσωτερικών μονάδων εκτός της μονάδας PWFY σε κατάσταση ψύξης.



## 2. Θέση εγκατάστασης

### 2.5. Σύνδεση μιας μονάδας Cylinder (EHST20C) ή Hydrobox (EHSC)

Κατά τη σύνδεση μονάδας Cylinder ή Hydrobox, λάβετε υπόψη σας τα ακόλουθα σημεία επειδή η μονάδα Cylinder ή Hydrobox διαφέρει από τις υπόλοιπες εσωτερικές μονάδες.

#### 2.5.1. Περιορισμοί σύνδεσης

- Μόνο 1 μονάδα Cylinder (EHST20C) ή 1 μονάδα Hydrobox (EHSC) μπορεί να συνδεθεί.  
(Η μονάδα EHST20C-MEC, η σειρά EHST20D, η σειρά EHPT20X, η σειρά EHSD, η μονάδα EHSC-MEC, η σειρά ERSD, η σειρά ERSC και η σειρά EHPX δεν μπορούν να συνδεθούν.)
- Όταν συνδέετε συστήματα Ecodan, να χρησιμοποιείτε ένα κουτί διακλάδωσης PAC-MK32/52BC(B). (Δεν είναι δυνατή η χρήση κουτιού διακλάδωσης PAC-MK31/51BC(B).)
- Δεν είναι δυνατή η ταυτόχρονη σύνδεση των μονάδων PWFY ως μονάδας Cylinder ή Hydrobox.
- Μπορούν να συνδεθούν εσωτερικές μονάδες ATA\*1 με συνολική ονομαστική ισχύ 50% – 130% της ισχύος της εξωτερικής μονάδας και 1 μονάδα Cylinder ή 1 μονάδα Hydrobox.

\*1 Εσωτερική μονάδα ATA: Εσωτερική μονάδα που περιλαμβάνει PWFY, μονάδα Cylinder και Hydrobox.

PUMY-P112 1 Cylinder ή 1 Hydrobox + εσωτερικές μονάδες ATA [μέγ. 16,2 (1,3<sup>2</sup>) kW]

PUMY-P125 1 Cylinder ή 1 Hydrobox + εσωτερικές μονάδες ATA [μέγ. 18,2 (2,8<sup>2</sup>) kW]

PUMY-P140 1 Cylinder ή 1 Hydrobox + εσωτερικές μονάδες ATA [μέγ. 20,2 (4,3<sup>2</sup>) kW]

\*2 Στην περίπτωση που μια μονάδα Cylinder ή Hydrobox χρησιμοποιείται σε λειτουργία θέρμανσης / λειτουργία DHW ταυτόχρονα με εσωτερικές μονάδες ATA.

Ωστόσο, μπορείτε να συνδέσετε τους παρακάτω συνδυασμούς.

· PUMY-P112: MSZ-SF15VE × 1

· PUMY-P125: MSZ-SF15VE × 2

· PUMY-P140: MSZ-SF15VE × 3

#### 2.5.2. Προδιαγραφές εσωτερικής μονάδας

Κατά τη σύνδεση μονάδας Cylinder ή Hydrobox αλλάζουν οι ακόλουθες προδιαγραφές.

- Η μονάδα Cylinder ή Hydrobox δεν είναι δυνατό να λειτουργεί σε κατάσταση ψύξης.
- Η κατάσταση λειτουργίας της μονάδας Cylinder ή Hydrobox έχει πάντα προτεραιότητα.
- Δεν είναι δυνατή η χρήση της οικολογικής λειτουργίας DHW.
- Η μέγιστη θερμοκρασία ροής είναι 55°C. (Ο διακόπτης Dip SW1-2 της μονάδας Cylinder ή Hydrobox πρέπει να ρυθμιστεί στη θέση OFF.)
- Η παρακολούθηση ενέργειας μπορεί να χρησιμοποιηθεί μόνο όταν υπάρχει συνδεδεμένο εξωτερικό ισχυόμετρο.
- Δεν είναι δυνατός ο έλεγχος πολλών εξωτερικών μονάδων.
- Μια μονάδα Cylinder ή Hydrobox δεν μπορεί να συνδεθεί σε τηλεχειριστήριο M-NET και κεντρικό χειριστήριο.
- Η ενδοσφάλεια λέβητα μπορεί να χρησιμοποιηθεί μόνο όταν γίνει εναλλαγή στην εξωτερική θερμοκρασία.
- Μια μονάδα Cylinder ή Hydrobox δεν μπορεί να ομαδοποιηθεί με μια εσωτερική μονάδα ATA.
- Στην περίπτωση που μια μονάδα Cylinder ή Hydrobox χρησιμοποιείται σε **Λειτουργία θέρμανσης** και ταυτόχρονα χρησιμοποιούνται εσωτερικές μονάδες ATA, λάβετε υπόψη τα ακόλουθα σημεία.
  - Το εύρος θερμοκρασίας ροής θέρμανσης της μονάδας Cylinder ή Hydrobox είναι 45°C - 55°C.
  - Ρυθμίστε το εύρος θερμοκρασίας ροής σύμφωνα με το Εγχειρίδιο εγκατάστασης της μονάδας Cylinder ή Hydrobox.
  - Η εξωτερική θερμοκρασία πρέπει να είναι -10°C ή υψηλότερη. Όταν η εξωτερική θερμοκρασία είναι χαμηλότερη από 7°C, η θερμοκρασία ροής και η θερμοκρασία εκτόνωσης μειώνονται.
- Η χρήση μιας μονάδας Cylinder ή Hydrobox σε **λειτουργία DHW** ταυτόχρονα με εσωτερικές μονάδες ATA είναι δυνατή μόνο αν η εξωτερική θερμοκρασία είναι από 7°C και πάνω. Όταν η εξωτερική θερμοκρασία είναι χαμηλότερη από 7°C, δεν μπορούν να λειτουργούν ταυτόχρονα.

#### 2.5.3. Ρυθμίσεις διακόπτη

Κατά τη σύνδεση μιας μονάδας Cylinder ή Hydrobox σε μονάδα PUMY, ρυθμίστε το διακόπτη DIP SW1-2 της μονάδας Cylinder ή Hydrobox στη θέση OFF.

#### 2.5.4. Δοκιμαστική λειτουργία

Εκτελέστε τη δοκιμαστική λειτουργία για τη μονάδα Cylinder ή Hydrobox από την εσωτερική μονάδα.

(Για λεπτομέρειες σχετικά με τη δοκιμαστική λειτουργία, ανατρέξτε στο εγχειρίδιο εγκατάστασης της μονάδας Cylinder ή Hydrobox.)

#### 2.5.5. Συλλογή ψυκτικού υγρού (Εκκένωση)

Εκτελέστε τις διαδικασίες που αναφέρονται στην ενότητα 7.3.

### 2.6. Σύνδεση εσωτερικής μονάδας μόνο ψύξης

Αν ένα σύστημα περιλαμβάνει μία ή περισσότερες εσωτερικές μονάδες μόνο ψύξης, ρυθμίστε ολόκληρο το σύστημα ως σύστημα ψύξης.

Ρυθμίστε τις μονάδες όπως υποδεικνύεται στον πίνακα 4.

Πίνακας 4 Διαδικασία ρύθμισης μόνο ψύξης

Μονάδα	Ρύθμιση
Εξωτερική μονάδα	PUMY-P-V/YKM(E)4 Διακόπτης DIP SW2-6 στην πλακέτα κυκλώματος ελεγκτή πολλαπλών μονάδων: ON (Ενεργοποιημένος)
Κουτί διακλάδωσης	PAC-MK-BC(B) Διακόπτης DIP SW4-5 στην πλακέτα κυκλώματος ελεγκτή κουτιού διακλάδωσης: ON (Ενεργοποιημένος)
Εσωτερική μονάδα	Σειρά CITY MULTI Διακόπτης DIP SW3-1 στην πλακέτα κυκλώματος ελεγκτή εσωτερικής μονάδας: ON (Ενεργοποιημένος)
	Σειρά M, S, P Η ρύθμιση δεν είναι απαραίτητη.

### 2.7. Σύνδεση PEFY-P-VMA3-E

Όταν χρησιμοποιείτε PEFY-P-VMA3-E, χρησιμοποιήστε τους ακόλουθους συνδυασμούς για τις συνδεδεμένες εσωτερικές μονάδες.

	PUMY-P112	PUMY-P125	PUMY-P140
OK	PEFY-P25VMA3-E × 2 + PEFY-P32VMA3-E × 2	PEFY-P32VMA3-E × 4	PEFY-P32VMA3-E × 3 + PEFY-P40VMA3-E × 1
OXI	Όλοι οι συνδυασμοί εκτός από τους παραπάνω Π.χ. 1: PEFY-P25VMA3-E × 2 + PEFY-P32VMA3-E × 2 Π.χ. 2: PEFY-P25VMA3-E × 2 + PEFY-P32VMA3-E × 1 Π.χ. 3: PEFY-P32VMA3-E × 4 (Ένας συνδυασμός για PUMY-P125) Π.χ. 4: PEFY-P25VMA3-E × 2 + PEFY-P32VMA3-E × 2 + MSZ-FH25VE × 1	Όλοι οι συνδυασμοί εκτός από τους παραπάνω Π.χ. 1: PEFY-P32VMA3-E × 3 + PEFY-P32VMA3-E × 1 Π.χ. 2: PEFY-P32VMA3-E × 3 Π.χ. 3: PEFY-P25VMA3-E × 2 + PEFY-P32VMA3-E × 2 (Ένας συνδυασμός για PUMY-P112) Π.χ. 4: PEFY-P32VMA3-E × 3 + PLFY-P20VFM-E × 1 + SEZ-KD25VA × 1	Όλοι οι συνδυασμοί εκτός από τους παραπάνω Π.χ. 1: PEFY-P32VMA3-E × 3 + PEFY-P40VMA3-E × 1 Π.χ. 2: PEFY-P32VMA3-E × 2 + PEFY-P40VMA3-E × 1 Π.χ. 3: PEFY-P32VMA3-E × 4 (Ένας συνδυασμός για PUMY-P125) Π.χ. 4: PEFY-P32VMA3-E × 3 + PCFY-P40VKM-E × 1 + MSZ-SF15VA × 1

Π.χ. 1: Έχει επιλεγεί μια κρυφή μονάδα οροφής που δεν είναι της σειράς VMA3. Οι συνδυασμοί με κρυφές μονάδες οροφής διαφορετικής σειράς δεν είναι δυνατοί.

Π.χ. 2: Ο αριθμός των μονάδων είναι εσφαλμένος.

Π.χ. 3: Ο συνδυασμός προορίζεται για μια μονάδα με μεγαλύτερη δυναμικότητα.

Π.χ. 4: Ο συνδυασμός δεν είναι συνδυασμός "OK".

### 2.8. Σύνδεση PLFY-EP-VEM-E

Για τα PLFY-EP-VEM-E, μπορούν να συνδεθούν έως και 2 μονάδες.

Άλλες εσωτερικές μονάδες\*1 μπορούν να συνδεθούν, εφόσον τηρούνται τα όρια της συνολικής ονομαστικής χωρητικότητας και του μέγιστου αριθμού συνδεδεμένων μονάδων.

\*1 Εξαιρούνται τα PEFY-P-VMA3-E και PEFY-P-VMH-EF.

## 2. Θέση εγκατάστασης

### 2.9. Εξαερισμός και χώρος συντήρησης

#### 2.9.1. Εγκατάσταση μόνης εξωτερικής μονάδας

Οι ελάχιστες διαστάσεις έχουν ως εξής, εκτός αν επισημαίνεται η μέγ., που σημαίνει μέγιστες διαστάσεις.

Για κάθε περίπτωση ανατρέξτε στους αριθμούς.

- ① Εμπόδια στην πίσω πλευρά μόνο (Fig. 2-3)
- ② Εμπόδια στην πίσω και επάνω πλευρά μόνο (Fig. 2-4)
  - Μην χρησιμοποιείτε τους προαιρετικούς οδηγούς στο στόμιο εξαγωγής του αέρα για κατεύθυνση της ροής προς τα πάνω.
- ③ Εμπόδια στην πίσω και στις δύο πλαϊνές πλευρές μόνο (Fig. 2-5)
- ④ Εμπόδια στην μπροστινή πλευρά μόνο (Fig. 2-6)
  - Όταν χρησιμοποιείτε προαιρετικό οδηγό στο στόμιο εξαγωγής του αέρα, η απόσταση πρέπει να είναι 500 mm ή περισσότερο.
- ⑤ Εμπόδια στην μπροστινή και την πίσω πλευρά μόνο (Fig. 2-7)
  - Όταν χρησιμοποιείτε προαιρετικό οδηγό στο στόμιο εξαγωγής του αέρα, η απόσταση πρέπει να είναι 500 mm ή περισσότερο.
- ⑥ Εμπόδια στην πίσω, στις δύο πλαϊνές και στην επάνω πλευρά μόνο (Fig. 2-8)
  - Μην χρησιμοποιείτε τους προαιρετικούς οδηγούς στο στόμιο εξαγωγής του αέρα για κατεύθυνση της ροής προς τα πάνω.

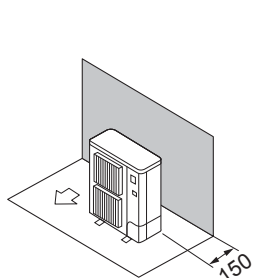


Fig. 2-3

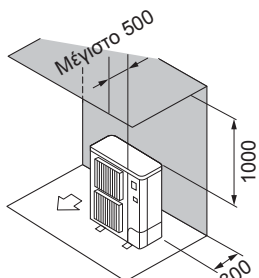


Fig. 2-4

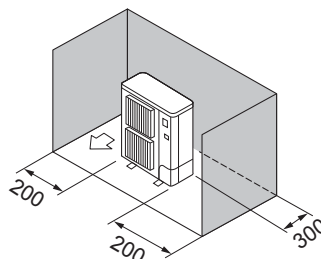


Fig. 2-5

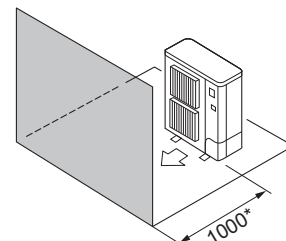


Fig. 2-6

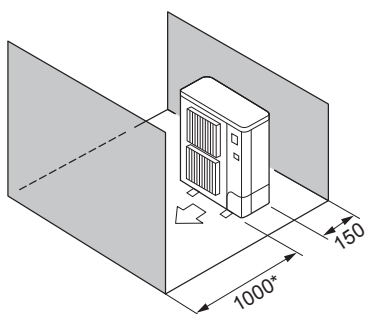


Fig. 2-7

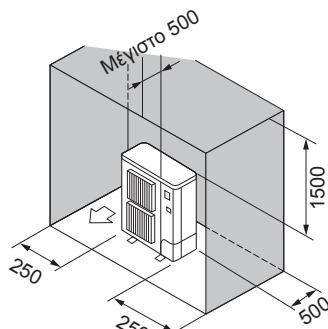


Fig. 2-8

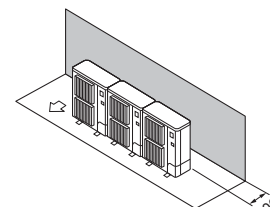


Fig. 2-9

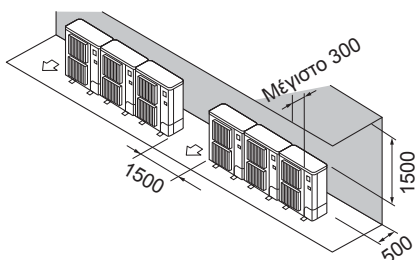


Fig. 2-10

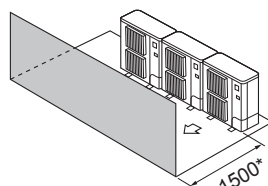


Fig. 2-11

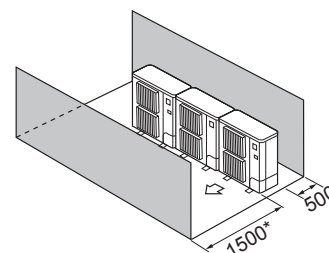


Fig. 2-12

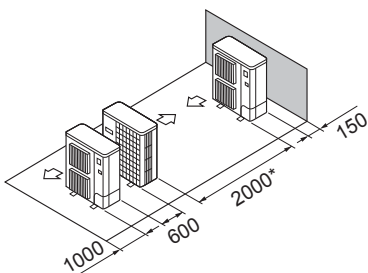


Fig. 2-13

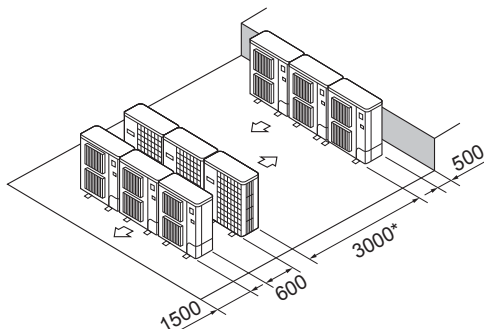


Fig. 2-14

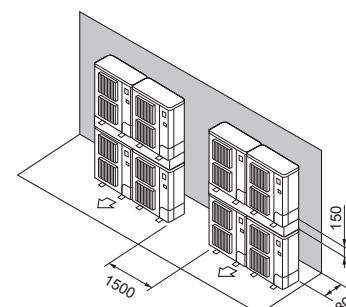


Fig. 2-15

#### 2.9.2. Εγκατάσταση πολλαπλών εξωτερικών μονάδων

Αφήστε ελεύθερο χώρο 25 mm ή περισσότερο μεταξύ των μονάδων.

- ① Εμπόδια στην πίσω πλευρά μόνο (Fig. 2-9)
  - Δεν πρέπει να εγκαθιστάτε περισσότερες από τρεις μονάδες στη σειρά. Επιπλέον, πρέπει να αφήνετε ελεύθερο χώρο μεταξύ τους όπως δείχνει η εικόνα.
- ② Εμπόδια στην πίσω και επάνω πλευρά μόνο (Fig. 2-10)
  - Μην χρησιμοποιείτε τους προαιρετικούς οδηγούς στο στόμιο εξαγωγής του αέρα για κατεύθυνση της ροής προς τα πάνω.
- ③ Εμπόδια στην μπροστινή πλευρά μόνο (Fig. 2-11)
  - Όταν χρησιμοποιείτε προαιρετικό οδηγό στο στόμιο εξαγωγής του αέρα, η απόσταση πρέπει να είναι 1000 mm ή περισσότερο.
- ④ Εμπόδια στην μπροστινή και την πίσω πλευρά μόνο (Fig. 2-12)
  - Όταν χρησιμοποιείτε προαιρετικό οδηγό στο στόμιο εξαγωγής του αέρα, η απόσταση πρέπει να είναι 1000 mm ή περισσότερο.
- ⑤ Απλή παράλληλη διάταξη μονάδων (Fig. 2-13)
  - Όταν χρησιμοποιείτε προαιρετικό οδηγό στο στόμιο εξαγωγής του αέρα για κατεύθυνση της ροής προς τα πάνω, η απόσταση είναι 1000 mm ή περισσότερο.
- ⑥ Πολλαπλή παράλληλη διάταξη μονάδων (Fig. 2-14)
  - Όταν χρησιμοποιείτε προαιρετικό οδηγό στο στόμιο εξαγωγής του αέρα για κατεύθυνση της ροής προς τα πάνω, η απόσταση είναι 1500 mm ή περισσότερο.
- ⑦ Διάταξη μονάδων σε στοιβα (Fig. 2-15)
  - Οι μονάδες μπορούν να τοποθετηθούν και σε στοιβα (μέχρι δύο μονάδες).
  - Δεν μπορείτε να τοποθετήσετε στη σειρά περισσότερες από δύο στοιβές. Επιπλέον, πρέπει να αφήνετε ελεύθερο χώρο μεταξύ τους όπως δείχνει η εικόνα.

## 2. Θέση εγκατάστασης

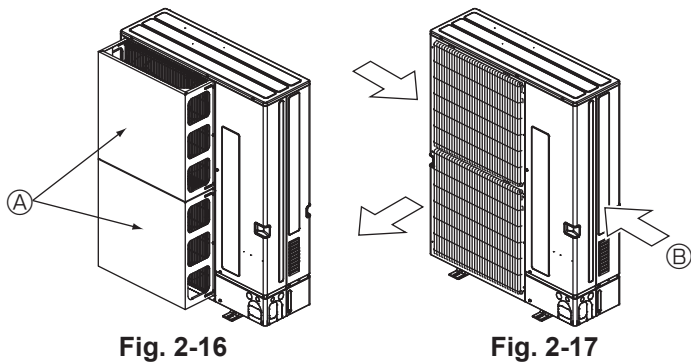


Fig. 2-16

Fig. 2-17

### 2.9.3. Εγκατάσταση σε σημείο εκτεθειμένο στον άνεμο

Όταν η εγκατάσταση της εξωτερικής μονάδας γίνεται σε στέγη ή σε άλλη θέση που δεν είναι προστατευμένη από τον άνεμο, τα στόμια εξαγωγής του αέρα πρέπει να τοποθετούνται με τρόπο ώστε να μην είναι άμεσα εκτεθειμένα σε δυνατούς ανέμους. Όταν δυνατός αέρας φυσά απευθείας στο στόμιο εξαγωγής του αέρα, εμποδίζεται η κανονική ροή του αέρα και υπάρχει κίνδυνος βλάβης.

Στη συνέχεια, υπάρχουν 2 παραδείγματα προφυλάξεων από δυνατούς ανέμους.

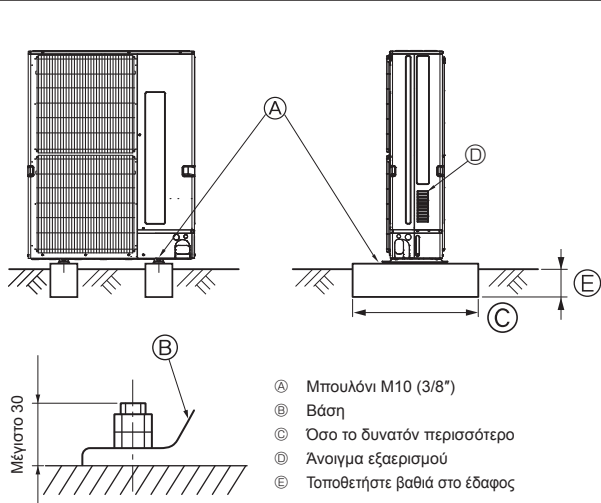
① Τοποθετήστε έναν προαιρετικό οδηγό αέρα, εάν πρόκειται να εγκαταστήσετε τη μονάδα σε σημεία όπου υπάρχει ενδεχόμενο να φυσούν απευθείας στο στόμιο εξαγωγής του αέρα πολύ δυνατοί άνεμοι κτλ. (Fig. 2-16)

Ⓐ Οδηγός αέρα

② Εγκαταστήστε τη μονάδα με τρόπο ώστε ο αέρας που βγαίνει από το στόμιο εξαγωγής να φυσά κάθετα σε σχέση με την κατεύθυνση του ανέμου, εάν αυτό είναι δυνατό. (Fig. 2-17)

Ⓑ Κατεύθυνση ανέμου

## 3. Εγκατάσταση της εξωτερικής μονάδας



Ⓐ Μπουλόνι M10 (3/8")

Ⓑ Βάση

Ⓒ Όσο το δυνατόν περισσότερο

Ⓓ Άνοιγμα εξαερισμού

Ⓔ Τοποθετήστε βαθιά στο έδαφος

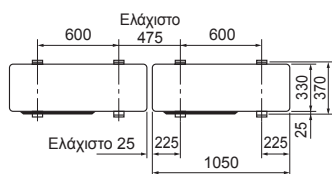


Fig. 3-1

(mm)

• Η μονάδα πρέπει να τοποθετηθεί σε σταθερή και επίπεδη επιφάνεια για την αποφυγή θορύβων κατά τη λειτουργία. (Fig. 3-1)

<Χαρακτηριστικά θεμελίωσης>

Μπουλόνι θεμελίωσης	M10 (3/8")
Πάχος σκυροδέματος	120 mm
Μήκος μπουλονιού	70 mm
Βάρος-ικανότητα συγκράτησης	320 kg

• Βεβαιωθείτε ότι το μήκος του μπουλονιού θεμελίωσης είναι το πολύ 30 mm από την κάτω επιφάνεια της βάσης.

• Στερεώστε καλά τη βάση της μονάδας με τέσσερα μπουλόνια θεμελίωσης M10 σε σταθερή επιφάνεια.

### Εγκατάσταση της εξωτερικής μονάδας

• Μην φράσετε το άνοιγμα εξαερισμού. Σε αντίθετη περίπτωση, η λειτουργία της μονάδας παρεμποδίζεται και μπορεί να προκληθεί ζημιά.

• Εκτός από τη βάση της μονάδας, χρησιμοποιήστε και τις οπές στην πίσω πλευρά της μονάδας για τη σύνδεση συρμάτων στερέωσης κτλ., εφόσον χρειάζεται για την εγκατάσταση της μονάδας. Χρησιμοποιήστε λαμαρινόβιδες (Ø5 × 15 mm ή λιγότερο) και κάντε την εγκατάσταση επιτόπου.

### ⚠ Προειδοποίηση:

• Η μονάδα πρέπει να εγκατασταθεί και να στερεωθεί καλά σε μια επιφάνεια που μπορεί να αντέξει το βάρος της. Αν η μονάδα τοποθετηθεί σε ασταθή επιφάνεια, μπορεί να πέσει και να προκαλέσει τραυματισμούς.

• Η εγκατάσταση της μονάδας πρέπει να γίνει σύμφωνα με τις οδηγίες προκειμένου να ελαχιστοποιηθεί ο κίνδυνος ζημιάς από σεισμούς, τυφώνες ή δυνατούς ανέμους. Όταν η μονάδα δεν είναι σωστά εγκατεστημένη, μπορεί να πέσει και να προκαλέσει ζημιά ή τραυματισμό.

### ⚠ Προσοχή:

• Εγκαταστήστε τη μονάδα σε σταθερή δομή για την αποφυγή υπερβολικού θορύβου ή δόνησης κατά τη λειτουργία.

## 4. Εγκατάσταση της σωλήνωσης ψυκτικού υγρού

### 4.1. Προφυλάξεις για τις συσκευές που χρησιμοποιούν ψυκτικό R410A

- Ανατρέξτε στη σελίδα 135 για προφυλάξεις που δεν περιλαμβάνονται παρακάτω σχετικά με τη χρήση κλιματιστικών με ψυκτικό R410A.
- Χρησιμοποιήστε λάδι εστέρα, λάδι αιθέρα ή αλκυλιοβενζόλη (μικρή ποσότητα) σαν ψυκτικό λάδι για την εφαρμογή στα διαπλατυσμένα τμήματα.
- Χρησιμοποιήστε φωσφορούχο κρατέρωμα C1220 για τη σύνδεση των σωλήνων ψυκτικού, όταν έχετε χαλκοσωλήνες και σωλήνες κράματος χαλκού χωρίς ενώσεις. Χρησιμοποιείτε σωλήνες ψυκτικού με πάχος σύμφωνα με τις προδιαγραφές στον παρακάτω πίνακα. Βεβαιωθείτε ότι οι εσωτερικές επιφάνειες των σωλήνων είναι καθαρές και δεν περιέχουν επικίνδυνες προσμίξεις όπως θειικές ενώσεις, οξειδωτικά, ρινίσματα ή σκόνη.

### ⚠ Προειδοποίηση:

Κατά την εγκατάσταση ή τη μετακίνηση του κλιματιστικού, χρησιμοποιείτε μόνο το συνιστώμενο ψυκτικό (R410A) για την πλήρωση των γραμμών ψυκτικού. Μην το αναμινύετε με άλλο ψυκτικό μέσο και μην αφήνετε τον αέρα να παραμένει μέσα στις γραμμές.

Εάν αναμιχθεί αέρας με το ψυκτικό, ενδέχεται να προκαλέσει ασυνήθιστα υψηλή πίεση στη γραμμή ψυκτικού, με ενδεχόμενο έκρηξης και άλλους κινδύνους. Η χρήση ψυκτικού διαφορετικού από αυτό που καθορίζεται για το σύστημα θα προκαλέσει μηχανική βλάβη ή δυσλειτουργία του συστήματος ή ζημιά στο σύστημα. Στη χειρότερη περίπτωση, μια τέτοια ενέργεια ενδέχεται να υπονομεύσει την ασφάλεια του προϊόντος.

Ø6,35, Ø9,52, Ø12,7	πάχος 0,8 mm
Ø15,88	πάχος 1,0 mm

- Μην χρησιμοποιείτε σωλήνες με πάχος μικρότερο από τις προδιαγραφές του παραπάνω πίνακα.
- Τα πάχη που παρατίθενται στον παραπάνω πίνακα βασίζονται στα ιαπωνικά πρότυπα. Χρησιμοποιείτε σωλήνες με μέγιστη πίεση εργασίας της τάξης των 4,15 MPa [601 PSIG] ή υψηλότερη, σύμφωνα με τα τοπικά πρότυπα.

## 4. Εγκατάσταση της σωλήνωσης ψυκτικού υγρού

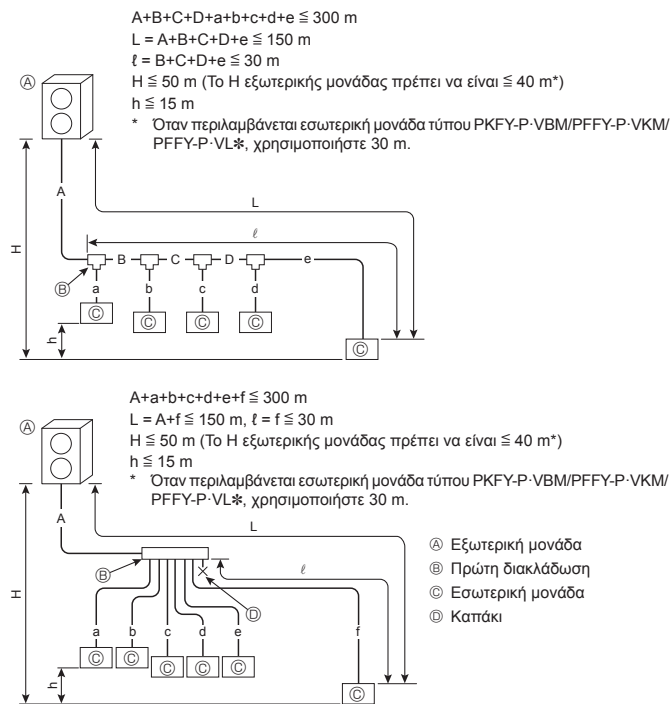


Fig. 4-1

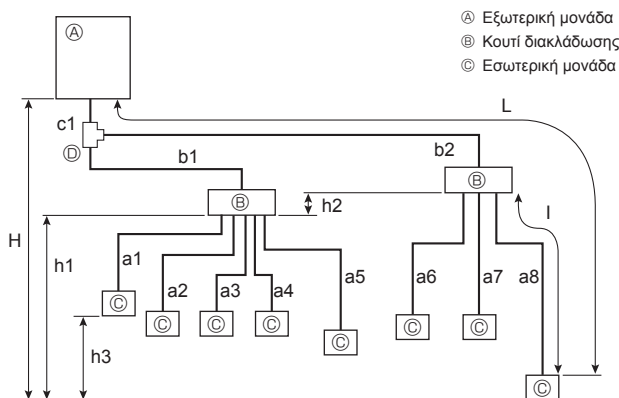


Fig. 4-2

Επιτρεπόμενο μήκος (μία κατεύθυνση)	Συνολικό μήκος σωληνώσεων	$c1 + b1 + b2 + a1 + a2 + a3 + a4 + a5 + a6 + a7 + a8 \leq 150 \text{ m}$
	Μέγιστο μήκος σωληνώσεων (L)	$c1 + b2 + a8 \leq 80 \text{ m}$
	Μήκος σωληνώσεων μεταξύ εξωτερικής μονάδας και κουτιών διακλάδωσης	$c1 + b1 + b2 \leq 55 \text{ m}$
	Πιο μακρινό κουτί διακλάδωσης από την πρώτη ένωση (b2)	$b2 \leq 30 \text{ m}$
	Μέγιστο μήκος σωληνώσεων μετά το κουτί διακλάδωσης (l)	$a8 \leq 25 \text{ m}$
	Συνολικό μήκος σωληνώσεων μεταξύ των κουτιών διακλάδωσης και των εσωτερικών μονάδων	$a1 + a2 + a3 + a4 + a5 + a6 + a7 + a8 \leq 95 \text{ m}$
Επιτρεπόμενη υψομετρική διαφορά (μία κατεύθυνση)	Μεταξύ εσωτερικής/εξωτερικής μονάδας (H)*1	$H \leq 50 \text{ m}$ (Στην περίπτωση της εξωτερικής μονάδας ορίζεται υψηλότερα από την εσωτερική μονάδα) $H \leq 40 \text{ m}$ (Στην περίπτωση της εξωτερικής μονάδας ορίζεται χαμηλότερα από την εσωτερική μονάδα)
	Μεταξύ κουτιού διακλάδωσης/εσωτερικής μονάδας (h1)	$h1 + h2 \leq 15 \text{ m}$
	Μεταξύ κάθε μονάδας διακλάδωσης (h2)	$h2 \leq 15 \text{ m}$
	Μεταξύ κάθε εσωτερικής μονάδας (h3)	$h3 \leq 12 \text{ m}$
Αριθμός κάμψεων		$ c1 + b1 + a1 ,  c1 + b1 + a2 ,  c1 + b1 + a3 ,  c1 + b1 + a4 ,  c1 + b1 + a5 ,  c1 + b2 + a6 ,  c1 + b2 + a7 ,  c1 + b2 + a8  \leq 15$

\*1 Το κουτί διακλάδωσης πρέπει να τοποθετηθεί στο ύψος μεταξύ της εξωτερικής και των εσωτερικών μονάδων.

## 4.2. Μήκος σωλήνα και υψομετρική διαφορά

### 4.2.1. Σύνδεση χωρίς κουτί διακλάδωσης (Fig. 4-1)

A	(mm)	
	A Σωλήνας υγρού	B Σωλήνας αερίου
PUMY-P112-140	$\varnothing 9,52$	$\varnothing 15,88$

B, C, D	(mm)	
C Συνολική χωρητικότητα εσωτερικών μονάδων	A Σωλήνας υγρού	B Σωλήνας αερίου
	$\varnothing 9,52$	$\varnothing 15,88$

a, b, c, d, e, f	(mm)	
D Αριθμός μοντέλου	A Σωλήνας υγρού	B Σωλήνας αερίου
15, 20, 25, 32, 40, 50	$\varnothing 6,35$	$\varnothing 12,7$
63, 80, 100, 125, 140	$\varnothing 9,52$	$\varnothing 15,88$

E Σειτ διακλαδώσεων
CMY-Y62-G-E

F 4-Συλλέκτης διακλαδώσεων	G 8-Συλλέκτης διακλαδώσεων
CMY-Y64-G-E	CMY-Y68-G-E

\* Κατά τη σύνδεση του ΚΙΤ ΣΥΝΔΕΣΗΣ (PAC-LV11M-J) και μιας εσωτερικής μονάδας της σειράς M, ανατρέχετε στο εγχειρίδιο εγκατάστασης του ΚΙΤ ΣΥΝΔΕΣΗΣ όταν επιλέγετε το μέγεθος σωλήνα και το μήκος της σωληνώσεως.

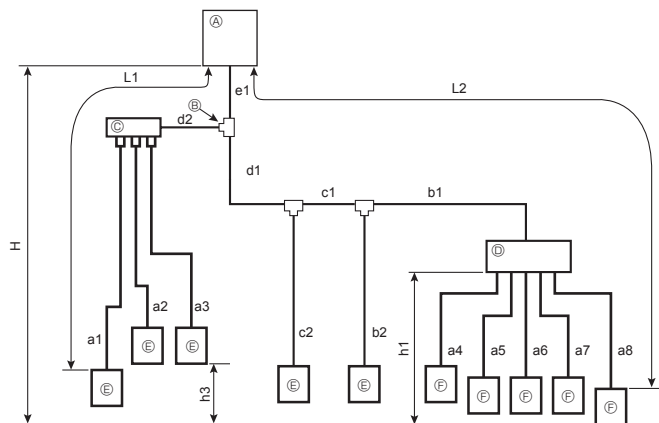
### 4.2.2. Σύνδεση με κουτί διακλάδωσης (Fig. 4-2)

- Η μονάδα έχει εκχειλιωμένες συνδέσεις στην πλευρά κάθε εσωτερικής μονάδας, κουτιού διακλάδωσης και εξωτερικής μονάδας.
- Αφαιρέστε το κάλυμμα της βαλβίδας της εξωτερικής μονάδας και συνδέστε το σωλήνα.
- Οι σωλήνες ψυκτικού χρησιμοποιούνται για τη σύνδεση του κουτιού διακλάδωσης και της εξωτερικής μονάδας.

## 4. Εγκατάσταση της σωλήνωσης ψυκτικού υγρού

### 4.2.3. Μικτό σύστημα (εσωτερικές μονάδες City Multi και εσωτερικές μονάδες σειράς M, S, P μέσω κουτιού διακλάδωσης) (Fig. 4-3)

#### 1. Αν χρησιμοποιούνται κουτιά 1 διακλάδωσης



- Ⓐ Εξωτερική μονάδα
  - Ⓑ Πρώτη ένωση
  - Ⓒ Κεφαλή διακλάδωσης (CMY)
  - Ⓓ Κουτί διακλάδωσης (PAC-MK-BC(B))
  - Ⓔ Εσωτερική μονάδα CityMulti\*
  - Ⓕ Εσωτερική μονάδα σειράς M, S, P μονάδα Cylinder ή μονάδα Hydrobox
- \* Δεν είναι δυνατή η χρήση των εσωτερικών μονάδων τύπου PKFY-P-VBM, PFFY-P-VKM και PFFY-P-VL\* σε ένα μικτό σύστημα.

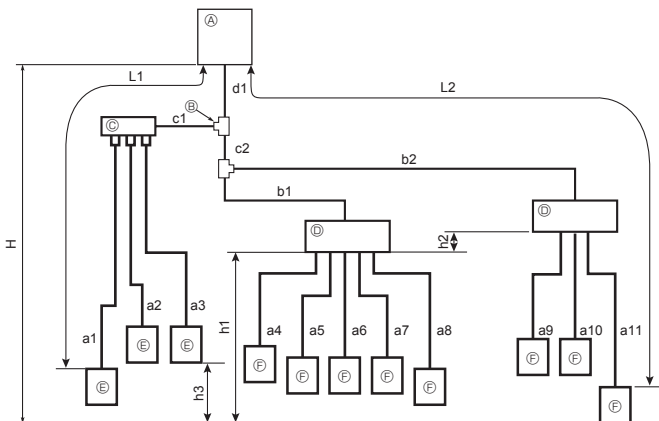
Fig. 4-3 (a)

Επιτρεπόμενο μήκος (μονόδρομη)	Συνολικό μήκος σωλήνα	$e1 + d1 + d2 + c1 + c2 + b1 + b2 + a1 + a2 + a3 + a4 + a5 + a6 + a7 + a8 \leq 300 \text{ m} *3$
	Μέγιστο μήκος σωλήνα (L1)	$e1 + d2 + a1 \text{ ή } e1 + d1 + c1 + b2 \leq 85 \text{ m}$
	Μέγιστο μήκος σωλήνα. Μέσω κουτιού διακλάδωσης (L2)	$e1 + d1 + c1 + b1 + a8 \leq 80 \text{ m}$
	Μήκος σωλήνα μεταξύ της εξωτερικής μονάδας και του κουτιού διακλάδωσης	$e1 + d1 + c1 + b1 \leq 55 \text{ m}$
	Μέγιστο μήκος σωλήνας από την πρώτη ένωση	$d1 + c1 + b1, d1 + c1 + b2, d1 + c2 \text{ ή } d2 + c1 \leq 30 \text{ m}$
	Μέγιστο μήκος σωλήνα μετά το κουτί διακλάδωσης	$a8 \leq 25 \text{ m}$
	Συνολικό μήκος σωλήνα μεταξύ των κουτιών διακλάδωσης και των εσωτερικών μονάδων	$a4 + a5 + a6 + a7 + a8 \leq 95 \text{ m}$
Επιτρεπόμενη υψομετρική διαφορά (μονόδρομη)	Στο τμήμα εσωτερικής/εξωτερικής μονάδας (H) *2	$H \leq 50 \text{ m}$ (αν η εξωτερική μονάδα έχει τοποθετηθεί πιο ψηλά από την εσωτερική μονάδα) $H \leq 40 \text{ m}$ (αν η εξωτερική μονάδα έχει τοποθετηθεί πιο χαμηλά από την εσωτερική μονάδα)
	Στο τμήμα κουτιού διακλάδωσης/εσωτερικής μονάδας (h1)	$h1 \leq 15 \text{ m}$
	Σε κάθε εσωτερική μονάδα (h3)	$h3 \leq 12 \text{ m}$
Αριθμός γωνιών		$ e1 + d2 + a1 ,  e1 + d2 + a2 ,  e1 + d2 + a3 ,  e1 + d1 + c2 ,  e1 + d1 + c1 + b2 ,  e1 + d1 + c1 + b1 + a4 ,  e1 + d1 + c1 + b1 + a5 ,  e1 + d1 + c1 + b1 + a6 ,  e1 + d1 + c1 + b1 + a7 ,  e1 + d1 + c1 + b1 + a8  \leq 15$

\*2: Το κουτί διακλάδωσης πρέπει να τοποθετείται στο επίπεδο μεταξύ της εξωτερικής μονάδας και των εσωτερικών μονάδων.

\*3: Όταν έχει συνδεθεί μονάδα Cylinder ή μονάδα Hydrobox, το μέγιστο μήκος σωλήνα είναι 150 m.

#### 2. Αν χρησιμοποιούνται κουτιά 2 διακλάδωσης



- Ⓐ Εξωτερική μονάδα
  - Ⓑ Πρώτη ένωση
  - Ⓒ Κεφαλή διακλάδωσης (CMY)
  - Ⓓ Κουτί διακλάδωσης (PAC-MK-BC(B))
  - Ⓔ Εσωτερική μονάδα CityMulti\*
  - Ⓕ Εσωτερική μονάδα σειράς M, S, P μονάδα Cylinder ή μονάδα Hydrobox
- \* Δεν είναι δυνατή η χρήση των εσωτερικών μονάδων τύπου PKFY-P-VBM, PFFY-P-VKM και PFFY-P-VL\* σε ένα μικτό σύστημα.

Fig. 4-3 (b)

Επιτρεπόμενο μήκος (μονόδρομη)	Συνολικό μήκος σωλήνα	$d1 + c1 + c2 + b1 + b2 + a1 + a2 + a3 + a4 + a5 + a6 + a7 + a8 + a9 + a10 + a11 \leq 240 \text{ m} *3$
	Μέγιστο μήκος σωλήνα (L1)	$d1 + c1 + a1 \leq 85 \text{ m}$
	Μέγιστο μήκος σωλήνα. Μέσω κουτιού διακλάδωσης (L2)	$d1 + c2 + b2 + a11 \leq 80 \text{ m}$
	Μήκος σωλήνα μεταξύ της εξωτερικής μονάδας και των κουτιών διακλάδωσης	$d1 + c2 + b1 + b2 \leq 55 \text{ m}$
	Μέγιστο μήκος σωλήνας από την πρώτη ένωση	$c2 + b2 \text{ ή } c1 + a1 \leq 30 \text{ m}$
	Μέγιστο μήκος σωλήνα μετά το κουτί διακλάδωσης	$a11 \leq 25 \text{ m}$
	Μέγιστη απόσταση του κουτιού διακλάδωσης από την εξωτερική μονάδα	$d1 + c2 + b2 \leq 55 \text{ m}$
Συνολικό μήκος σωλήνα μεταξύ των κουτιών διακλάδωσης και των εσωτερικών μονάδων	$a4 + a5 + a6 + a7 + a8 + a9 + a10 + a11 \leq 95 \text{ m}$	
Επιτρεπόμενη υψομετρική διαφορά (μονόδρομη)	Στο τμήμα εσωτερικής/εξωτερικής μονάδας (H) *2	$H \leq 50 \text{ m}$ (αν η εξωτερική μονάδα έχει τοποθετηθεί πιο ψηλά από την εσωτερική μονάδα) $H \leq 40 \text{ m}$ (αν η εξωτερική μονάδα έχει τοποθετηθεί πιο χαμηλά από την εσωτερική μονάδα)
	Στο τμήμα κουτιού διακλάδωσης/εσωτερικής μονάδας (h1+h2)	$h1 + h2 \leq 15 \text{ m}$
	Σε κάθε μονάδα διακλάδωσης (h1)	$h2 \leq 15 \text{ m}$
	Σε κάθε εσωτερική μονάδα (h3)	$h3 \leq 12 \text{ m}$
Αριθμός γωνιών		$ d1 + c1 + a1 ,  d1 + c1 + a2 ,  d1 + c1 + a3 ,  d1 + c2 + b1 + a4 ,  d1 + c2 + b1 + a5 ,  d1 + c2 + b1 + a6 ,  d1 + c2 + b1 + a7 ,  d1 + c2 + b1 + a8 ,  d1 + c2 + b2 + a9 ,  d1 + c2 + b2 + a10 ,  d1 + c2 + b2 + a11  \leq 15$

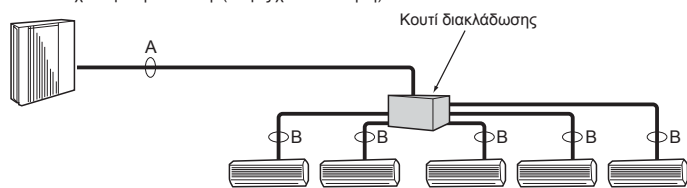
\*2: Το κουτί διακλάδωσης πρέπει να τοποθετείται στο επίπεδο μεταξύ της εξωτερικής μονάδας και των εσωτερικών μονάδων.

\*3: Όταν έχει συνδεθεί μονάδα Cylinder ή μονάδα Hydrobox, το μέγιστο μήκος σωλήνα είναι 150 m.

## 4. Εγκατάσταση της σωλήνωσης ψυκτικού υγρού

### ■ Σε περίπτωση που χρησιμοποιείται 1 κουτί διακλάδωσης

Με εκχειλιωμένη σύνδεση. (Χωρίς χαλκοκόλληση)



### ■ Σε περίπτωση που χρησιμοποιούνται 2 κουτιά διακλάδωσης

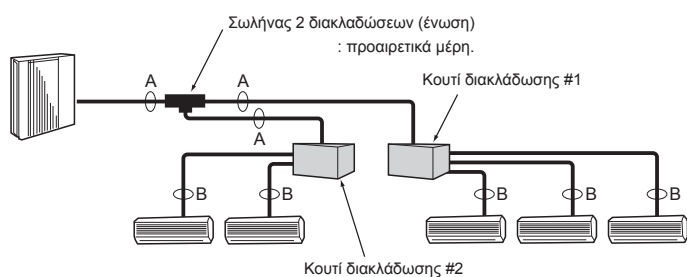


Fig. 4-4

(1) Μέγεθος βαλβίδας για εξωτερική μονάδα

Για υγρό	ø9,52 mm
Για αέριο	ø15,88 mm

(2) Μέγεθος βαλβίδας για κουτί διακλάδωσης

MONADA	Σωλήνας υγρού	Σωλήνας αερίου
Ⓐ MONADA	ø6,35 mm	ø9,52 mm
Ⓑ MONADA	ø6,35 mm	ø9,52 mm
Ⓒ MONADA	ø6,35 mm	ø9,52 mm
Ⓓ MONADA	ø6,35 mm	ø9,52 mm
Ⓔ MONADA	ø6,35 mm	ø12,7 mm

\* Τύπος 3 διακλαδώσεων: μόνο μονάδα Ⓐ, Ⓑ, Ⓒ

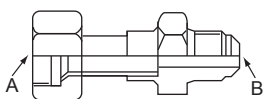


Fig. 4-5

Πίνακας μετατροπής

1/4 F	ø6,35
3/8 F	ø9,52
1/2 F	ø12,7
5/8 F	ø15,88
3/4 F	ø19,05

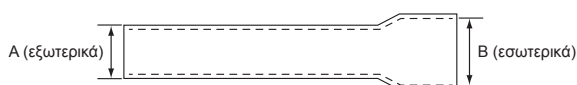


Fig. 4-6

## 4.3. Επιλογή μεγέθους σωλήνων

### 4.3.1. Σύνδεση χωρίς κουτί διακλάδωσης

		Εσωτερική μονάδα		Εξωτερική μονάδα
		15-50	63-140	112-140
Πλευρά αερίου	Μέγεθος σωλήνα (mm)	ø12,7	ø15,88	ø15,88
Πλευρά υγρού	Μέγεθος σωλήνα (mm)	ø6,35	ø9,52	ø9,52

### 4.3.2. Σύνδεση με κουτί διακλάδωσης (Fig. 4-4)

	A	B
Υγρό (mm)	ø9,52	Το μέγεθος του σωλήνα διαφέρει ανάλογα με τον τύπο και την ικανότητα των εσωτερικών μονάδων. Το μέγεθος σωλήνα του κουτιού διακλάδωσης πρέπει να ταιριάζει με αυτό της εσωτερικής μονάδας στο σημείο σύνδεσης. Σε αντίθετη περίπτωση, πρέπει να χρησιμοποιήσετε προαιρετικούς μετατροπείς διαμέτρου (παραμορφωμένους συνδέσμους) στην πλευρά του κουτιού διακλάδωσης. (Συνδέστε το μετατροπέα διαμέτρου απευθείας στο κουτί διακλάδωσης.)
Αέριο (mm)	ø15,88	

### Μετατροπείς διαμέτρου (προαιρετικό εξάρτημα) (Fig. 4-5)

Όνομα μοντέλου	Διάμετρος συνδεδεμένων σωλήνων mm	Διάμετρος A mm	Διάμετρος B mm
MAC-A454JP	ø9,52 → ø12,7	ø9,52	ø12,7
MAC-A455JP	ø12,7 → ø9,52	ø12,7	ø9,52
MAC-A456JP	ø12,7 → ø15,88	ø12,7	ø15,88
PAC-493PI	ø6,35 → ø9,52	ø6,35	ø9,52
PAC-SG76RJ-E	ø9,52 → ø15,88	ø9,52	ø15,88

### Μετατροπείς διαμέτρου (προαιρετικό εξάρτημα) (Fig. 4-6)

Όνομα μοντέλου	Διάμετρος συνδεδεμένων σωλήνων mm	Εξωτερική διάμετρος A mm	Εσωτερική διάμετρος B mm
PAC-SG78RJB-E	ø9,52 → ø12,7	ø9,52	ø12,7
PAC-SG79RJB-E	ø12,7 → ø9,52	ø12,7	ø9,52
PAC-SG80RJB-E	ø12,7 → ø15,88	ø12,7	ø15,88
PAC-SG77RJB-E	ø6,35 → ø9,52	ø6,35	ø9,52
PAC-SG76RJB-E	ø9,52 → ø15,88	ø9,52	ø15,88

### Προετοιμασία σωληνώσεων

① Ο παρακάτω πίνακας δείχνει τις προδιαγραφές των σωλήνων που είναι διαθέσιμοι στο εμπόριο.

Εξωτερική διάμετρος mm	Πάχος μόνωσης mm	Υλικό μόνωσης
6,35	8	Αφρώδες πλαστικό ανθεκτικό στη θερμοκρασία με ειδικό βάρος 0,045
9,52	8	
12,7	8	
15,88	8	

② Βεβαιωθείτε ότι οι 2 σωλήνες ψυκτικού είναι μονωμένοι προκειμένου να αποφευχθεί η δημιουργία συμπύκνωσης.

③ Η ακτίνα κάμψης του σωλήνα ψυκτικού πρέπει να είναι 100 mm ή μεγαλύτερη.

### ⚠ Προσοχή:

Χρησιμοποιήστε μόνωση με το ενδεδειγμένο πάχος. Αν η μόνωση έχει μεγαλύτερο πάχος, μπορεί να μην γίνει σωστά η εγκατάσταση της εσωτερικής μονάδας και του κουτιού διακλάδωσης, ενώ αν η μόνωση έχει μικρότερο πάχος, μπορεί να προκληθεί συμπύκνωση και να στάξει νερό.

Σωλήνας 2 διακλαδώσεων (ένωση) : Προαιρετικά εξαρτήματα (Ανάλογα με τη μέθοδο σύνδεσης, μπορείτε να διαλέξετε το καταλληλότερο.)

Όνομα μοντέλου	Μέθοδος σύνδεσης
MSDD-50AR-E	εκχείλιωση
MSDD-50BR-E	χαλκοκόλληση

### ■ Διαδικασία εγκατάστασης (σωλήνας 2 διακλαδώσεων (ένωση))

Ανατρέξτε στα εγχειρίδια εγκατάστασης της MSDD-50AR-E και MSDD-50BR-E.

### ■ Μέγεθος σωλήνα (Εξωτερική μονάδα-Κουτί διακλάδωσης)

	Αγωγός υγρού A	Αγωγός αερίου B
PUMY-P112-140	ø9,52	ø15,88

### ■ Μέγεθος σωλήνα (Κουτί διακλάδωσης-Εσωτερική μονάδα)

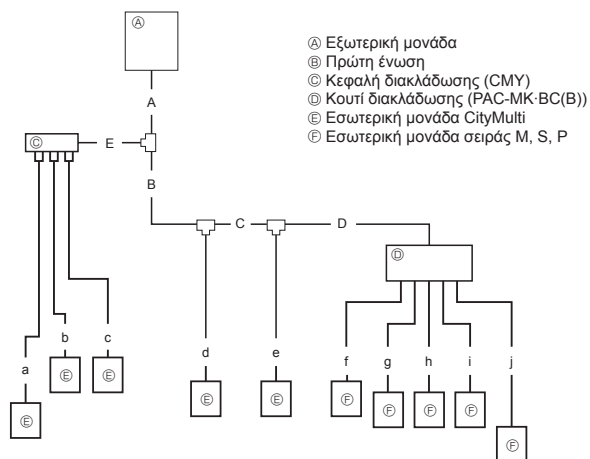
Εσωτερική μονάδα σειράς M ή σειράς S\*1

Σειρά εσωτερικής μονάδας	Αριθμός μοντέλου	Αγωγός υγρού A	Αγωγός αερίου B
Σειρά M ή σειρά S	15~42	ø6,35	ø9,52
	50	ø6,35	ø12,7
	60	ø6,35	ø15,88
	71~80	ø9,52	ø15,88
Σειρά P	35, 50 *2	ø6,35	ø12,7
	60~100	ø9,52	ø15,88
Μονάδα Cylinder	-	ø9,52	ø15,88
Μονάδα Hydrobox	-	ø9,52	ø15,88

\*1 Τα διαθέσιμα μοντέλα εσωτερικών μονάδων που μπορούν να συνδεθούν διαφέρουν ανάλογα με την περιοχή/γύρα.

\*2 Με τα μοντέλα εσωτερικών μονάδων 35, 50 της σειράς P, χρησιμοποιήστε το παρεχόμενο περικόχλιο εκχείλιωσης που συνοδεύει την εσωτερική μονάδα. Μην χρησιμοποιείτε το περικόχλιο εκχείλιωσης στο συνοδευτικό της εσωτερικής μονάδας. Εάν το χρησιμοποιήσετε, μπορεί να σημειωθεί διαρροή αερίου ή ακόμη και απόσπαση του σωλήνα.

## 4. Εγκατάσταση της σωλήνωσης ψυκτικού υγρού



### 4.3.3. Μεικτό σύστημα

(Εσωτερικές μονάδες City Multi και εσωτερικές μονάδες σειράς M, S, P μέσω κουτιού διακλάδωσης) (Fig. 4-7)

Fig. 4-7

#### Μέγεθος αγωγού

A, B, C, D, E

	Αγωγός υγρού A	Αγωγός αερίου B
PUMY-P112-140	ø9,52	ø15,88

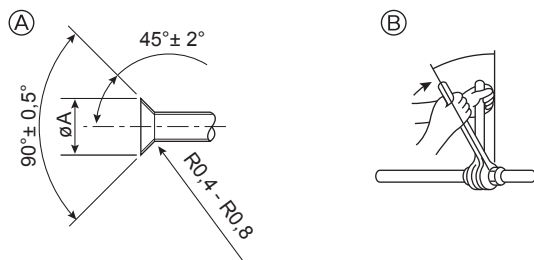
a, b, c~j

Σειρά εσωτερικής μονάδας	Αριθμός μοντέλου	Αγωγός υγρού A	Αγωγός αερίου B
CityMulti	15~50	ø6,35	ø12,7
	63~140	ø9,52	ø15,88
Σειρά M ή σειρά S	15~42	ø6,35	ø9,52
	50	ø6,35	ø12,7
	60	ø6,35	ø15,88
	71~80	ø9,52	ø15,88
Σειρά P	35, 50 *1	ø6,35	ø12,7
	60~100	ø9,52	ø15,88
Μονάδα Cylinder	—	ø9,52	ø15,88
Μονάδα Hydrobox	—	ø9,52	ø15,88

Ένωση 2 διακλαδώσεων	CMY-Y62-G-E
Κεφαλή 4 διακλαδώσεων	CMY-Y64-G-E
Κεφαλή 8 διακλαδώσεων	CMY-Y68-G-E

\*1 Με τα μοντέλα εσωτερικών μονάδων 35, 50 της σειράς P, χρησιμοποιήστε το παρεχόμενο περικόχλιο εκχείλωσης που συνοδεύει την εσωτερική μονάδα. Μην χρησιμοποιείτε το περικόχλιο εκχείλωσης στο συνοδευτικό της εσωτερικής μονάδας. Εάν το χρησιμοποιήσετε, μπορεί να σημειωθεί διαρροή αερίου ή ακόμη και απόσπαση του σωλήνα.

## 4. Εγκατάσταση της σωλήνωσης ψυκτικού υγρού



- Ⓐ Διαστάσεις εκχειλωσης  
 Ⓑ Ροπή σύσφιξης για το περικόχλιο εκχειλωσης

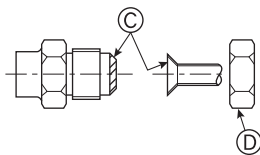


Fig. 4-8

Ⓐ (Fig. 4-8)

Διάμετρος χαλκοσωλήνα (mm)	Διαστάσεις εκχειλωσης Διάσταση $\phi A$ (mm)
$\phi 6,35$	8,7 - 9,1
$\phi 9,52$	12,8 - 13,2
$\phi 12,7$	16,2 - 16,6
$\phi 15,88$	19,3 - 19,7

Ⓑ (Fig. 4-8)

Διάμετρος χαλκοσωλήνα (mm)	Διάμετρος περικοχλίου εκχειλωσης (mm)	Ροπή σύσφιξης (N·m)
$\phi 6,35$	17	14 - 18
$\phi 6,35$	22	34 - 42
$\phi 9,52$	22	34 - 42
$\phi 12,7$	26	49 - 61
$\phi 12,7$	29	68 - 82
$\phi 15,88$	29	68 - 82
$\phi 15,88$	36	100 - 120

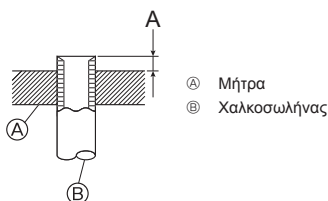


Fig. 4-9

GR

- Ⓐ Εμπρόσθιο κάλυμμα σωληνώσεων  
 Ⓑ Κάλυμμα σωληνώσεων  
 Ⓒ Βαλβίδα διακοπής  
 Ⓓ Καπάκι εξυπηρέτησης  
 Ⓔ Ακτίνα ζώνης : 100 mm - 150 mm

Fig. 4-7

### 4.4. Σωλήνες σύνδεσης (Fig. 4-8)

- Διεξαγάγετε επαρκείς εργασίες για προστασία κατά της συμπύκνωσης και για μόνωση, ώστε να αποτρέψετε το στάξιμο νερού από τη σωλήνωση του ψυκτικού υγρού. (σωλήνας υγρού/σωλήνας αερίου)
- Ενισχύστε τη μόνωση ανάλογα με το περιβάλλον όπου είναι εγκατεστημένη η σωλήνωση του ψυκτικού υγρού, διαφορετικά ενδέχεται να σημειωθεί συμπύκνωση στην επιφάνεια του μονωτικού υλικού. (Θερμοκρασία αντοχής μονωτικού υλικού: 120°C, Πάχος: 15 mm ή μεγαλύτερο)
- \* Όταν η σωλήνωση του ψυκτικού υγρού χρησιμοποιείται σε τοποθεσίες που υπόκεινται σε υψηλή θερμοκρασία και υγρασία, όπως σε σοφίτες, ενδέχεται να απαιτείται περαιτέρω ενίσχυση της μόνωσης.
- Για τη μόνωση της σωληνώσεως ψυκτικού υγρού, εφαρμόστε θερμομόντοχο αφρό πολυαιθυλενίου μεταξύ της εσωτερικής μονάδας και του μονωτικού υλικού, καθώς και στο πλέγμα ανάμεσα στο μονωτικό υλικό ώστε να εξαλειφείτε όλα τα κενά. (Η συμπύκνωση στη σωλήνωση ενδέχεται να οδηγήσει σε συμπύκνωση στο χώρο ή σε εγκαύματα σε παξιμάδια ρακόρ με τη σωλήνωση).
- Τα εσωτερικά εξαρτήματα του σωλήνα αποστράγγισης πρέπει να περιτυλίγονται με μονωτικό αφρό πολυαιθυλενίου (ειδικό βάρος 0,03, πάχος 9 mm ή μεγαλύτερο).
- Πριν βιδώσετε το περικόχλιο εκχειλωσης απλώστε στο σωλήνα και στην κοινή επιφάνεια που επικαθεται λεπτό στρώμα από ψυκτικό λάδι. Ⓐ
- Χρησιμοποιήστε δύο κλειδιά για να σφίξετε τις συνδέσεις των σωληνών. Ⓑ
- Όταν έχουν γίνει οι συνδέσεις στις σωληνώσεις, χρησιμοποιήστε ένα όργανο εντοπίσεως διαρροών ή διάλυμα σαπουνιού για να εντοπίσετε τυχόν διαρροές αερίου.
- Αλείψτε με ψυκτικό λάδι ολόκληρη την επιφάνεια στα διαπλευσμένα τμήματα. Ⓒ
- Χρησιμοποιήστε τα παξιμάδια ρακόρ για το παρακάτω μέγεθος σωλήνα. Ⓓ
- Όταν κάμπτετε τους σωλήνες, προσέξτε να μην τους στάσετε. Ακτίνες κάμψης της τάξης των 100 mm ή 150 mm είναι αρκετές.
- Βεβαιωθείτε ότι οι σωλήνες δεν έρχονται σε επαφή με το συμπιεστή. Μπορεί να προκληθεί μη φυσιολογικός θόρυβος ή κραδασμοί.

- Ⓚ Η σύνδεση των σωληνών πρέπει να ξεκινά από την εσωτερική μονάδα. Για το σφίξιμο των περικοχλίων εκχειλωσης πρέπει να χρησιμοποιείτε δυναμόκλειδο.
- Ⓚ Εκχειλώστε τους σωλήνες υγρού και αερίου και αλείψτε τους με ένα λεπτό στρώμα λαδιού ψυκτικού (επιτόπου εργασίας).
- Όταν χρησιμοποιούνται τα συνήθη υλικά για το σφράγισμα των σωληνών, ανατρέξτε στον Πίνακα 3 για την εκχειλωση των σωληνών με ψυκτικό R410A. Για την επαλήθευση των μετρήσεων Α πρέπει να χρησιμοποιήσετε το μετρητή διαστάσεων.

#### ⚠ Προειδοποίηση:

Κατά την εγκατάσταση της μονάδας, συνδέστε με ασφάλεια τους σωλήνες ψυκτικού πριν θέσετε σε λειτουργία το συμπιεστή.

\* Για να συνδέσετε το ΚΙΤ ΣΥΝΔΕΣΗΣ (PAC-LV11M-J), ανατρέξτε στο εγχειρίδιο εγκατάστασης του ΚΙΤ ΣΥΝΔΕΣΗΣ.

Πίνακας 3 (Fig. 4-9)

Διάμετρος χαλκοσωλήνα (mm)	Α (mm)	
	Εργαλείο διαπλάτυσης για R410A	Εργαλείο διαπλάτυσης για R22/R407C
	Τύπου σφιγκτήρα	
$\phi 6,35$	0 - 0,5	1,0 - 1,5
$\phi 9,52$	0 - 0,5	1,0 - 1,5
$\phi 12,7$	0 - 0,5	1,0 - 1,5
$\phi 15,88$	0 - 0,5	1,0 - 1,5
$\phi 19,05$	0 - 0,5	1,0 - 1,5

### 4.5. Σωληνώσεις ψυκτικού υγρού (Fig. 4-10)

Αφαιρέστε το καπάκι Ⓓ (τρεις βίδες), το εμπρόσθιο Ⓐ κάλυμμα των σωληνώσεων (δύο βίδες) και το πίσω κάλυμμα των σωληνώσεων Ⓑ (δύο βίδες).

- Ⓚ Κάντε τις συνδέσεις των σωληνώσεων για την εσωτερική/εξωτερική μονάδα όταν η ανασταλτική βαλβίδα της εξωτερικής μονάδας είναι εντελώς κλειστή.
- Ⓚ Κάντε εξερισμό στην εσωτερική μονάδα και στους σωλήνες σύνδεσης.
- Ⓚ Αφού συνδέσετε τους σωλήνες ψυκτικού, ελέγξτε τους συνδεδεμένους σωλήνες και την εσωτερική μονάδα για τυχόν διαρροή αερίου. (Ανατρέξτε στην ενότητα 4.6. Μέθοδος ελέγχου αεροστεγανότητας του σωληνώσεων ψυκτικού.)
- Ⓚ Αδειάστε τους ψυκτικούς σωλήνες μέσα από τη θύρα υπηρεσίας της βαλβίδας διακοπής υγρών και αερίων. Και στη συνέχεια ανοίξτε εντελώς τις βαλβίδες διακοπής (και τη βαλβίδα διακοπής υγρών και τη βαλβίδα διακοπής αερίων). Με τον τρόπο αυτό επικινδυνώνουν πλήρως οι γραμμές ψυκτικού της εσωτερικής και της εξωτερικής μονάδας.
  - Αν οι ανασταλτικές βαλβίδες παραμένουν κλειστές και τεθεί σε λειτουργία το κλιματιστικό, ο συμπιεστής και οι βαλβίδες ελέγχου θα υποστούν ζημιά.
  - Χρησιμοποιήστε έναν ανιχνευτή διαρροής ή νερό με σαπουνάδα για να ελέγξετε εάν υπάρχει διαρροή αερίου στα σημεία σύνδεσης των σωληνών στην εξωτερική μονάδα.
  - Μην χρησιμοποιήσετε το ψυκτικό από τη μονάδα για την εξαέρωση των γραμμών ψυκτικού.
  - Αφού ολοκληρωθεί η διαδικασία, σφίξτε τα καπάκια των βαλβίδων με τη σωστή ροπή σύσφιξης: 20 έως 25 N·m (200 έως 250 kgf·cm). Αν ξεχάσετε να ξαναβάλετε και να σφίξετε τα καπάκια των βαλβίδων, θα έχει σαν αποτέλεσμα να σημειωθεί διαρροή ψυκτικού. Επιπλέον, μην προκαλέσετε φθορές στην εσωτερική επιφάνεια των καπακιών των βαλβίδων γιατί δρουν ως παρεμβύσματα για την αποτροπή διαρροής.
- Ⓚ Χρησιμοποιήστε στεγανωτικό υλικό για να σφραγίσετε τα άκρα της θερμομόνωσης γύρω από τα σημεία σύνδεσης των σωληνών ώστε να μην είναι δυνατή η εισχώρηση νερού στη θερμομόνωση.



## 4. Εγκατάσταση της σωλήνωσης ψυκτικού υγρού

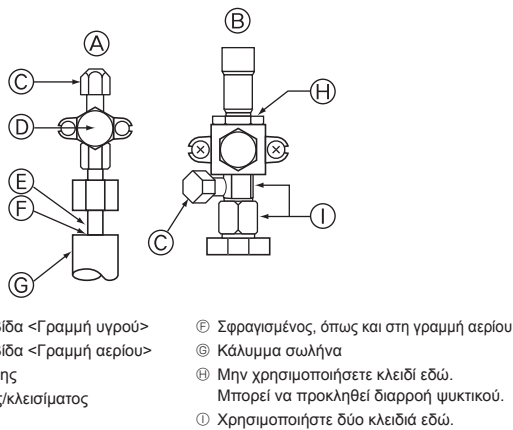


Fig. 4-11

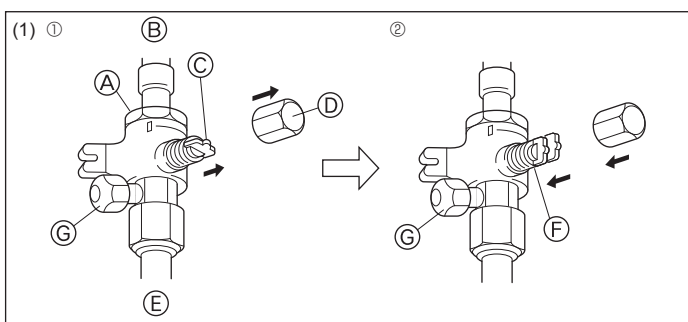


Fig. 4-12

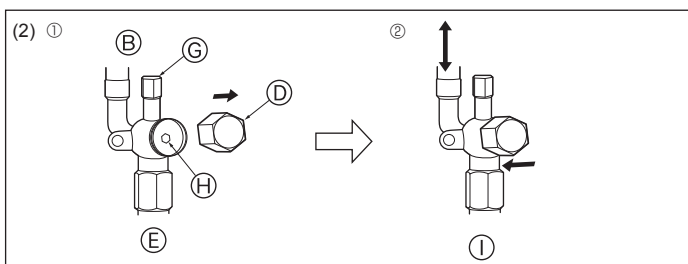


Fig. 4-13

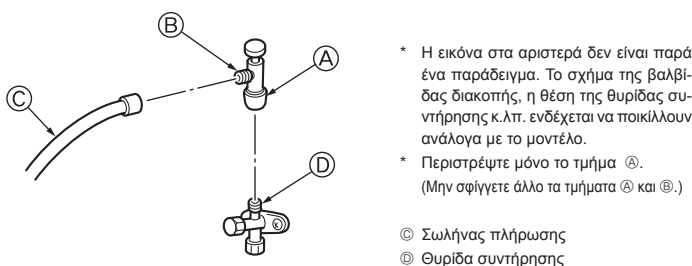


Fig. 4-14

## 4.6. Μέθοδος ελέγχου αεροστεγανότητας του σωληνώσεων ψυκτικού

- Συνδέστε τα εργαλεία ελέγχου.
  - Βεβαιωθείτε ότι οι ανασταλτικές βαλβίδες A B είναι κλειστές και μην τις ανοίξετε.
  - Προσθέστε πίεση στους ψυκτικούς σωλήνες μέσα από τη θύρα υπηρεσίας C της βαλβίδας διακοπής υγρών A και της βαλβίδας διακοπής αερίων B.
- Μην διοχετεύετε πίεση μέχρι την ενδεικτική τιμή μεμιάς αλλά σταδιακά.
  - Αυξήστε την πίεση μέχρι 0,5 MPa (5 kgf/cm<sup>2</sup>G), περιμένετε πέντε λεπτά και βεβαιωθείτε ότι η πίεση δεν μειώνεται.
  - Αυξήστε την πίεση σε 1,5 MPa (15 kgf/cm<sup>2</sup>G), περιμένετε πέντε λεπτά και βεβαιωθείτε ότι η πίεση δεν μειώνεται.
  - Αυξήστε την πίεση σε 4,15 MPa (41,5 kgf/cm<sup>2</sup>G) και μετρήστε τη θερμοκρασία περιβάλλοντος και την πίεση του ψυκτικού.
- Αν η συγκεκριμένη πίεση διατηρείται σταθερή για μία περίπου ημέρα και δεν πέφτει, οι σωλήνες έχουν περάσει με επιτυχία τον έλεγχο αεροστεγανότητας και δεν υπάρχουν διαρροές.
  - Αν η θερμοκρασία περιβάλλοντος μεταβληθεί κατά 1°C, η πίεση θα μεταβληθεί επίσης κατά 0,01 MPa (0,1 kgf/cm<sup>2</sup>G). Κάντε τις απαραίτητες διορθώσεις.
- Αν η πίεση μειωθεί στα βήματα (2) ή (3), τότε υπάρχει διαρροή αερίου. Αναζητήστε την αιτία της διαρροής.

## 4.7. Μέθοδος ανοίγματος ανασταλτικής βαλβίδας

- Πλευρά αερίου (Fig. 4-12)
    - Βγάλτε το καπάκι, τραβήξτε τη λαβή προς την πλευρά σας και περιστρέψτε κατά το 1/4 της στροφής προς τα αριστερά για να ανοίξει.
    - Βεβαιωθείτε ότι η ανασταλτική βαλβίδα έχει ανοίξει πλήρως και περιστρέφοντας επαναφέρετε το καπάκι στην αρχική του θέση.
  - Πλευρά υγρού (Fig. 4-13)
    - Βγάλτε το καπάκι και περιστρέψτε το στέλεχος της βαλβίδας προς τα αριστερά έως το τέρμα χρησιμοποιώντας ένα εξαγωνικό κλειδί 4 mm. Σταματήστε να περιστρέφετε έως ότου φτάσει στον αναστολέα. (ø6,35: Περίπου 4,5 στροφές) (ø9,52: Περίπου 10 στροφές)
    - Βεβαιωθείτε ότι η ανασταλτική βαλβίδα έχει ανοίξει πλήρως και περιστρέφοντας επαναφέρετε το καπάκι στην αρχική του θέση.
- A Βαλβίδα  
B Πλευρά μονάδας  
C Λαβή  
D Καπάκι  
E Πλευρά τοπικού σωλήνα  
F Πλευρά ανοικτής θέσης  
G Θυρίδα συντήρησης  
H Οπή για το κλειδί  
I Κατεύθυνση ροής ψυκτικού

Τύλιξη σωλήνων ψυκτικού με προστατευτική ταινία

- Οι σωλήνες μπορούν να τυλιχτούν με προστατευτική ταινία μέχρι να φθάσουν διάμετρο ø90 πριν ή μετά τη σύνδεσή τους. Ανοίξτε τη χαραγμένη τρύπα στο κάλυμμα των σωλήνων ακολουθώντας την αυλάκωση και τυλίξτε τους σωλήνες.

Άνοιγμα εισόδου σωλήνα

- Χρησιμοποιήστε στόκο ή μονωτικό υλικό για να σφραγίσετε το σημείο σύνδεσης των σωλήνων ώστε να μην υπάρχουν κενά. (Αν τα κενά δεν σφραγιστούν, μπορεί να ακούγεται ασυνήθιστος θόρυβος ή να εισχωρήσει στη μονάδα σκόνη ή νερό και να προκαλέσει βλάβη.)

## Μέτρα ασφαλείας που πρέπει να τηρούνται κατά τη χρήση της βαλβίδας πλήρωσης (Fig.4-14)

Μην σφίγγετε πάρα πολύ τη θυρίδα συντήρησης κατά την εγκατάσταση, καθώς μπορεί να παραμορφωθεί και να χαλαρώσει ο πυρήνας της βαλβίδας, με αποτέλεσμα τη διαρροή αερίου.

Αφού τοποθετήσετε το τμήμα B προς τη σωστή κατεύθυνση, περιστρέψτε μόνο το τμήμα A και σφίξτε το.

Αφού σφίξετε το τμήμα A, μην σφίγγετε άλλο τα τμήματα A και B.

## 4. Εγκατάσταση της σωλήνωσης ψυκτικού υγρού

### 4.8. Συμπληρωματική Πλήρωση με Ψυκτικό

#### Συμπληρωματική Πλήρωση με Ψυκτικό

Κατά την αποστολή της εξωτερικής μονάδας από το εργοστάσιο, δεν περιλαμβάνεται στη μονάδα ψυκτικό υγρό για την επέκταση της σωλήνωσης. Συνεπώς, σε κάθε σύστημα σωλήνωσης ψυκτικού υγρού πρέπει να προστίθεται επιπλέον ψυκτικό υγρό στο χώρο της εγκατάστασης. Επιπλέον, για τη διεξαγωγή της συντήρησης, εισαγάγετε το μέγεθος και το μήκος κάθε σωλήνα υγρού, καθώς και τις ποσότητες του συμπληρωματικού ψυκτικού υγρού στα αντίστοιχα κενά της πλακέτας "Ποσότητα ψυκτικού υγρού" στην εξωτερική μονάδα.

#### Υπολογισμός για τη συμπλήρωση με επιπλέον ψυκτικό

- Υπολογίστε την επιπλέον ποσότητα συμπλήρωσης, βάσει του μεγέθους του σωλήνα υγρού και του μήκους της επέκτασης σωλήνωσης.
- Στον υπολογισμό, χρησιμοποιήστε 11,2 kW για την ισχύ της μονάδας Cylinder ή Hydrobox.
- Υπολογίστε την ποσότητα συμπλήρωσης με επιπλέον ψυκτικό υγρό ακολουθώντας τη διαδικασία που εμφανίζεται στα δεξιά και συμπληρώστε με το επιπλέον ψυκτικό υγρό.
- Για ποσότητες μικρότερες από 0,1 kg, στρογγυλοποιήστε την υπολογισμένη ποσότητα συμπλήρωσης με επιπλέον ψυκτικό υγρό.  
(Για παράδειγμα, αν η υπολογισμένη ποσότητα συμπλήρωσης είναι 6,01 kg, στρογγυλοποιήστε την ποσότητα συμπλήρωσης στα 6,1 kg).

<Συμπληρωματικό ψυκτικό>

#### Υπολογισμός ποσότητας συμπλήρωσης με ψυκτικό υγρό

Μέγεθος σωλήνα Σωλήνας υγρού ø6,35 (m) × 19,0 (g/m)	+	Μέγεθος σωλήνα Σωλήνας υγρού ø9,52 (m) × 50,0 (g/m)	+	Συνολική χωρητικότητα συνδεδεμένων εσωτερικών μονάδων ~ 8,0 kW 8,1 ~ 16,0 kW 16,1 kW ~	Ποσότητα για τις εσωτερικές μονάδες 1,5 kg 2,5 kg 3,0 kg
---	---	---	---	---	---

#### Ποσότητα ψυκτικού υγρού που περιλαμβάνεται κατά την αποστολή από το εργοστάσιο

Ποσότητα ψυκτικού υγρού που περιλαμβάνεται
4,8 kg

<Παράδειγμα>

Μοντέλο εξωτερικής μονάδας : P125	A : ø9,52 30 m	} Με τις παρακάτω συνθήκες:
Εσωτερική μονάδα 1 : P63 (7,1 kW)	a : ø9,52 15 m	
2 : P40 (4,5 kW)	b : ø6,35 10 m	
3 : P25 (2,8 kW)	c : ø6,35 10 m	
4 : P20 (2,2 kW)	d : ø6,35 20 m	

ο συνολικό μήκος κάθε γραμμής υγρού είναι ως εξής:

$$\text{ø9,52 : } A + a = 30 + 15 = 45 \text{ m}$$

$$\text{ø6,35 : } b + c + d = 10 + 10 + 20 = 40 \text{ m}$$

Η συνολική χωρητικότητα της συνδεδεμένης εσωτερικής μονάδας έχει ως εξής:

$$7,1 + 4,5 + 2,8 + 2,2 = 16,6$$

<Παράδειγμα υπολογισμού>

Ποσότητα συμπληρωματικού ψυκτικού

$$40 \times \frac{19,0}{1000} + 45 \times \frac{50,0}{1000} + 3,0 = 6,1 \text{ kg (μετά από στρογγυλοποίηση)}$$

## 5. Εργασίες Σωληνώσεων Αποχέτευσης

#### Σύνδεση σωλήνα αποχέτευσης εξωτερικής μονάδας

Όταν απαιτείται αποχετευτική σωλήνωση, χρησιμοποιήστε την οπή ή το δοχείο αποστράγγισης (προαιρετικά μέρη).

	P112-140
Οπή αποστράγγισης	PAC-SG61DS-E
Δοχείο αποστράγγισης	PAC-SH97DP-E

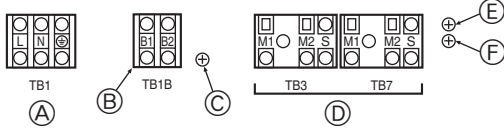
## 6. Ηλεκτρικές εργασίες

### 6.1. Προσοχή

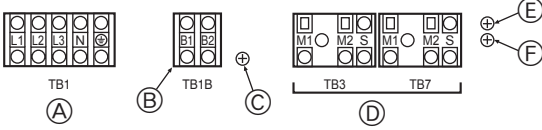
- Για τα τεχνικά πρότυπα που ισχύουν όσον αφορά ηλεκτρικό εξοπλισμό, διατάξεις καλωδίωσης και για οδηγίες προς τις επιχειρήσεις παροχής ηλεκτρισμού, ακολουθείτε τις σχετικές διατάξεις που έχουν εκδοθεί από τις αντίστοιχες κρατικές υπηρεσίες.
- Η καλωδίωση που γίνεται για τη σύνδεση των οργάνων ελέγχου (εφεξής θα αναφέρεται ως καλωδίωση μετάδοσης) πρέπει ν'απέχει 5 cm ή περισσότερο από την καλωδίωση της ηλεκτρικής πηγής ώστε να μην επηρεάζεται από τον ηλεκτρικό θόρυβο που παράγεται από τα σύρματα της ηλεκτρικής πηγής (Δεν πρέπει να περνάτε τα καλώδια μετάδοσης μέσα στον ίδιο αγωγό από τον οποίο περνάτε τα ηλεκτρικά καλώδια).
- Βεβαιωθείτε ότι για την εξωτερική μονάδα φθιάχνετε χωριστή και αποκλειστική εργασία γείωσης.
- Τα καλώδια που συνδέονται με τα κουτιά των ηλεκτρικών μερών της εσωτερικής και εξωτερικής μονάδας πρέπει να είναι χαλαρά και με πρόσθετο μάκρος. Καμιά φορά τα κουτιά βγαίνουν για να διευκολύνονται οι εργασίες συντήρησης.
- Τα ηλεκτρικά καλώδια δεν πρέπει ποτέ να συνδέονται στον πίνακα με τους ακροδέκτες που προορίζονται για τη σύνδεση των καλωδίων μετάδοσης, τα ηλεκτρικά μέρη θα καούν.
- Για την καλωδίωση μετάδοσης χρησιμοποιείτε 2-κλινα μονωμένα καλώδια. Εάν τα καλώδια μετάδοσης διαφορετικών συστημάτων συνδεθούν στο ίδιο πολύκλινο καλώδιο, θα υπάρχει ανεπαρκής μετάδοση και λήψη στοιχείων με αποτέλεσμα την υπέρβαση λανθασμένες λειτουργίες.
- Για τη μετάδοση προς και από την εξωτερική μονάδα πρέπει να συνδέονται μόνο τα καλώδια μετάδοσης που καθορίζονται.  
(Καλωδίωση μετάδοσης για τη σύνδεση με την εσωτερική μονάδα: Πίνακας θερματικών TB3 για τις συνδέσεις των καλωδίων μετάδοσης. Άλλες: Πίνακας θερματικών TB7 για κεντρικό έλεγχο)  
Λανθασμένες συνδέσεις έχουν σαν αποτέλεσμα τη μη λειτουργία του συστήματος.
- Σε περίπτωση σύνδεσης με μηχανισμό ελέγχου πρώτης κατηγορίας ή όταν υπάρχει συλλογική λειτουργία συστημάτων με διαφορετικό ψυκτικό απαιτείται καλωδίωση ελέγχου μετάδοσης μεταξύ κάθε μίας εξωτερικής μονάδας.  
Συνδέστε αυτή την καλωδίωση ελέγχου μεταξύ των πινάκων θερματικών για κεντρικό έλεγχο (2-κλινα καλώδια χωρίς πολικότητα).  
Όταν έχετε συλλογική λειτουργία συστημάτων με διαφορετικό ψυκτικό χωρίς σύνδεση σε μηχανισμό ελέγχου πρώτης κατηγορίας, αντικαταστήστε το συνδεδεμένο εισαγωγής βραχυκυκλώματος από το CN41 μίας εξωτερικής μονάδας στο CN40.
- Η ομαδοποίηση ρυθμίζεται με λειτουργία του τηλεχειριστήριου.
- Κατά τη σύνδεση του K1T ΣΥΝΔΕΣΗΣ (PAC-LV11M-J) και μίας εσωτερικής μονάδας της σειράς M, ανατρέξτε στο εγχειρίδιο εγκατάστασης του K1T ΣΥΝΔΕΣΗΣ.
- Όταν συνδέετε ένα κουτί διακλάδωσης, φροντίστε να ενεργοποιείτε τις εσωτερικές μονάδες και το κουτί διακλάδωσης πριν από την ενεργοποίηση της εξωτερικής μονάδας.

## 6. Ηλεκτρικές εργασίες

### <PUMY-P-VKM>



### <PUMY-P-YKM(E)>



- Ⓐ Ηλεκτρική πηγή  
 Ⓑ Παροχή ρεύματος για κουτί διακλάδωσης  
 Ⓒ Βιδώστε το κουτί ηλεκτρικών μερών  
 Ⓓ Καλωδίωση μετάδοσης  
 Ⓔ Γείωση για τον πίνακα ακροδεκτών (TB3)  
 Ⓕ Βιδώστε το κουτί ηλεκτρικών μερών

Fig. 6-1

## 6.2. Κουτί ελέγχου και θέσεις συνδέσεων καλωδίων (Fig. 6-1)

- Συνδέστε το καλώδιο επικοινωνίας με τον πίνακα ακροδεκτών επικοινωνίας (TB3), ή συνδέστε τα καλώδια μεταξύ των εξωτερικών μονάδων ή τα καλώδια από το κεντρικό σύστημα ελέγχου με τον πίνακα ακροδεκτών κεντρικού ελέγχου (TB7). Όταν χρησιμοποιείτε καλώδιο με προστατευτικό περίβλημα, συνδέστε τη γείωση του προστατευτικού περιβλήματος της γραμμής μετάδοσης της εσωτερικής μονάδας στη βίδα (Ⓔ) και συνδέστε τη γείωση του προστατευτικού περιβλήματος της γραμμής μεταξύ των εξωτερικών μονάδων και της γραμμής μετάδοσης του κεντρικού συστήματος ελέγχου στον ακροδέκτη προστατευτικού περιβλήματος (S) της πλακέτας ακροδεκτών (TB7) κεντρικού ελέγχου. Επιπλέον, στην περίπτωση εξωτερικών μονάδων των οποίων το συνδετικό παροχής ρεύματος CN41 έχει αντικατασταθεί με CN40, ο ακροδέκτης προστατευτικού περιβλήματος (S) της πλακέτας ακροδεκτών (TB7) του συστήματος κεντρικού ελέγχου πρέπει να συνδεθεί και στη βίδα (Ⓔ) με το παρεχόμενο καλώδιο.
- Ο πίνακας ακροδεκτών (TB1B) χρησιμοποιείται για την παροχή ισχύος στο κουτί διακλάδωσης (220 ~ 240 VAC, μέγ. 6 A).
- Συνδέστε το καλώδιο της ηλεκτρικής πηγής στο κουτί ελέγχου χρησιμοποιώντας παρέμβαση απόσβεσης εφελκισμού (σύνδεση PG ή κάτι παρόμοιο).

### ⚠ Προσοχή:

Μην συνδέετε ποτέ τη γραμμή μετάδοσης της εσωτερικής μονάδας ή τη γραμμή μετάδοσης του κεντρικού συστήματος ελέγχου σε αυτόν τον πίνακα ακροδεκτών (TB1B). Αν συνδεθούν οι καλωδιώσεις μετάδοσης, μπορεί να σημειωθεί βλάβη στην πλακέτα ακροδεκτών της εσωτερικής μονάδας ή στην πλακέτα ακροδεκτών κεντρικού ελέγχου.

## 6.3. Καλώδια για καλωδιώσεις μετάδοσης

### ① Τύποι καλωδίων ελέγχου

- Καλώδια για καλωδιώσεις μετάδοσης
  - Τύποι των καλωδίων εκπομπής: καλώδιο προστασίας CVVS, CPEVS ή MVVS
  - Διάμετρος καλωδίων: Μεγαλύτερη από 1,25 mm<sup>2</sup>
  - Μέγιστο μήκος καλωδίου: Έως 200 m

### 2. Καλώδια τηλεχειριστηρίου M-NET

Τύποι καλωδίου τηλεχειριστηρίου	Καλώδιο προστασίας CVVS, CPEVS ή MVVS
Διάμετρος καλωδίου	0,5 έως 1,25 mm <sup>2</sup>
Παρατηρήσεις	Όταν το μήκος υπερβαίνει τα 10 μέτρα, χρησιμοποιείτε καλώδιο με προδιαγραφές ίδιες με αυτές των καλωδίων για καλωδιώσεις μετάδοσης.

### 3. Καλώδια τηλεχειριστηρίου MA

Τύποι καλωδίου τηλεχειριστηρίου	Καλώδιο CVV με επένδυση και 2 πυρήνες (χωρίς προστασία)
Διάμετρος καλωδίου	0,3 έως 1,25 mm <sup>2</sup> (0,75 έως 1,25 mm <sup>2</sup> )*
Παρατηρήσεις	Έως 200 m

\* Συνδεδεμένο με έναν απλό απομακρυσμένο ελεγκτή.

### ② Παραδείγματα καλωδίωσης

- Όνομασίες, κωδικοί και αριθμός των συνδεδεμένων μονάδων.

Όνομασία	Σύμβολο	Επιτρεπόμενος αριθμός μηχανισμών ελέγχου
Μηχανισμός Ελέγχου Εξωτερική Μονάδα	OC	-
Μηχανισμός Ελέγχου Εσωτερική Μονάδα	M-IC	PUMY-P112 1 έως 9 μονάδες ανά 1 OC*1
		PUMY-P125 1 έως 10 μονάδες ανά 1 OC*1
		PUMY-P140 1 έως 12 μονάδες ανά 1 OC*1
Κουτί διακλάδωσης	A-IC	PUMY-P112 2 έως 8 μονάδες ανά 1 OC*1
		PUMY-P125
		PUMY-P140
Κουτί διακλάδωσης	-	-
Τηλεχειριστήριο	RC	M-NET RC*2 12 ελεγκτές το μέγιστο για κάθε OC (Δεν είναι δυνατή η σύνδεση εάν χρησιμοποιηθεί το κουτί διακλάδωσης).
		MA-RC Μέγιστος αριθμός των 2 ανά ομάδα

### Σημείωση:

\*1. Ο αριθμός των μονάδων με δυνατότητα σύνδεσης ενδέχεται να περιορίζεται από ορισμένες συνθήκες, όπως είναι η απόδοση της εσωτερικής μονάδας ή η αντίστοιχη κατανάλωση ρεύματος κάθε μονάδας.

\*2. Μην χρησιμοποιήσετε το τηλεχειριστήριο Lossnay (PZ-61DR-E, PZ-43SMF-E, PZ-52SF-E, PZ-60DR-E).

## Παράδειγμα Λειτουργίας Ομαδικού Συστήματος με Πολλές Εξωτερικές Μονάδες (Απαιτούνται Καλώδια με Προστατευτικό Περιβλήμα και Ρύθμιση Διευθύνσεων)

<Παράδειγμα Σύνδεσης Καλωδίων Μετάδοσης: Όταν δεν χρησιμοποιείται κουτί διακλάδωσης>

### ■ Ανατρέξτε στην Fig. 6-6 από την Fig. 6-2.

<Μέθοδος καλωδίωσης και ρυθμίσεις διευθύνσεων: χωρίς σύστημα κουτιού διακλάδωσης>

- Χρησιμοποιείτε πάντα θωρακισμένο καλώδιο όταν κάνετε συνδέσεις μεταξύ της εξωτερικής μονάδας (OC) και της εσωτερικής μονάδας (M-IC).
- Χρησιμοποιείτε καλώδιο τροφοδοσίας για τη σύνδεση των ακροδεκτών M1 και M2 και του ακροδέκτη γείωσης της πλακέτας ακροδεκτών καλωδίου μετάδοσης (TB3) κάθε εξωτερικής μονάδας (OC) στους ακροδέκτες M1, M2 και στον ακροδέκτη S της πλακέτας ακροδεκτών του καλωδίου μετάδοσης της εσωτερικής μονάδας (M-IC).
- Συνδέστε τα τερματικά 1 (M1) και 2 (M2) των καλωδίων μετάδοσης της εσωτερικής μονάδας (M-IC) που έχει την πιο πρόσφατη διεύθυνση μέσα στην ίδια ομάδα ή σύνολο στα τερματικά της μονάδας τηλεχειριστηρίου δικτύου (M-NET RC).
- Συνδέστε μαζί τους ακροδέκτες M1, M2 και τον ακροδέκτη S του πίνακα ακροδεκτών για κεντρικό έλεγχο (TB7) της εξωτερικής μονάδας (OC).
- Ο ακροδέκτης γείωσης (jumper) CN41 στον πίνακα ελέγχου δεν αλλάζει.
- Συνδέστε τη γείωση προστατευτικού περιβλήματος της καλωδίωσης μετάδοσης της εσωτερικής μονάδας στον ακροδέκτη προστατευτικού περιβλήματος (S) της (TB3) και συνδέστε τον ακροδέκτη (S) στη βίδα (Ⓔ ή Ⓕ) χρησιμοποιώντας το παρεχόμενο καλώδιο. Συνδέστε τη γείωση προστατευτικού περιβλήματος της γραμμής μεταξύ των εξωτερικών μονάδων και της γραμμής μετάδοσης του κεντρικού συστήματος ελέγχου στον ακροδέκτη προστατευτικού περιβλήματος (S) του (TB7).
- Ρυθμίστε τους διακόπτες διευθύνσεων σύμφωνα με τον παρακάτω πίνακα.

Μονάδα	Κλίμακα	Μέθοδος Ρύθμισης
M-IC (Κύρια)	01 έως 50	Χρησιμοποιήστε την πιο πρόσφατη διεύθυνση μέσα στην ίδια ομάδα ή σύνολο εσωτερικών μονάδων
M-IC (Δευτερεύουσα)	01 έως 50	Χρησιμοποιήστε μία διεύθυνση, διαφορετική αυτής της IC (Κύρια) μεταξύ των μονάδων μέσα στην ίδια ομάδα ή σύνολο εσωτερικών μονάδων. Η διεύθυνση αυτή πρέπει να είναι συνέχεια της διεύθυνσης της IC (Κύρια)
Εξωτερική Μονάδα	51 έως 100	Χρησιμοποιήστε την πιο πρόσφατη διεύθυνση μεταξύ των εσωτερικών μονάδων του ίδιου συστήματος ψυκτικού + 50 * Η διεύθυνση γίνεται αυτόματα "100" εάν οριστεί μεταξύ "01 - 50".
M-NET R/C (Κύρια)	101 έως 150	Ρυθμίστε την σε διεύθυνση IC (Κύρια) + 100
M-NET R/C (Δευτερεύουσα)	151 έως 200	Ρυθμίστε την σε διεύθυνση IC (Κύρια) + 150
MA R/C	-	Μη απαραίτητη ρύθμιση διευθύνσεων (Απαραίτητη ρύθμιση κύριας/δευτερεύουσας)

h. Οι λειτουργίες ομαδικής ρύθμισης μεταξύ πολλών εσωτερικών μονάδων ρυθμίζονται με τη μονάδα τηλεχειριστηρίου (M-NET RC) αφού ανοίξει η ηλεκτρική παροχή.

i. Κατά τη σύνδεση μονάδας PWFY

- Μην εφαρμόσετε τις ομαδικές ρυθμίσεις για τη μονάδα PWFY και τις μονάδες εσωτερικού χώρου.
- Δεν είναι δυνατή η ρύθμιση της μονάδας PWFY και της μονάδας Lossnay για ταυτόχρονη λειτουργία.
- Χρησιμοποιήστε τηλεχειριστήριο WMA για τη μονάδα PWFY.

Για λεπτομέρειες, ανατρέξτε στο εγχειρίδιο εγκατάστασης για τη μονάδα PWFY.

j. Κατά τη σύνδεση μιας μονάδας Cylinder ή Hydrobox

- Μην εφαρμόσετε τις ομαδικές ρυθμίσεις για τη μονάδα Cylinder ή Hydrobox και τις υπόλοιπες εσωτερικές μονάδες.

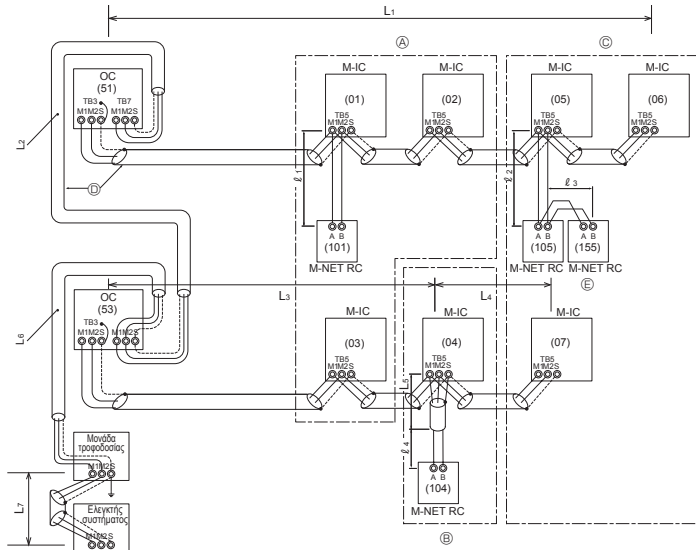
<Μέθοδος καλωδίωσης και ρυθμίσεις διευθύνσεων: με σύστημα κουτιού διακλάδωσης>

Ανατρέξτε στο Εγχειρίδιο εγκατάστασης του κουτιού διακλάδωσης.

## 6. Ηλεκτρικές εργασίες

<Παράδειγμα καλωδίωσης μετάδοσης: Χωρίς κουτί διακλάδωσης>

■ Τηλεχειριστήριο M-NET



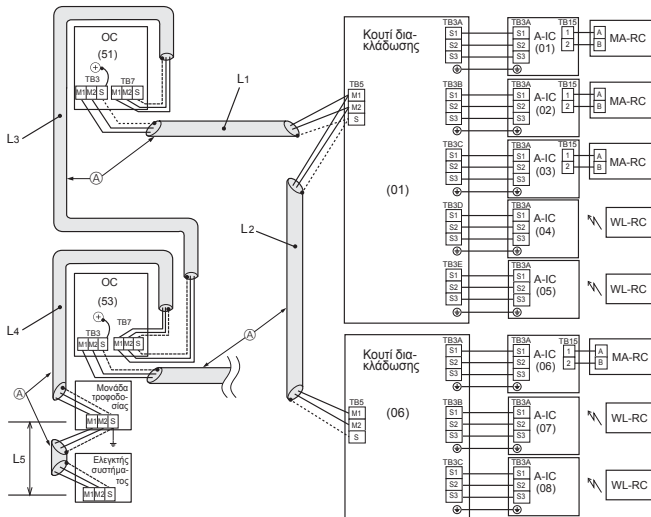
- Ⓐ : Ομάδα 1
- Ⓑ : Ομάδα 2
- Ⓒ : Ομάδα 3
- Ⓓ : Θωρακισμένο καλώδιο
- Ⓔ : Δευτερεύον τηλεχειριστήριο
- ( ) : Διεύθυνση

<Επιτρεπόμενα μήκη>

- Μέγιστο μήκος μέσω εξωτερικών μονάδων:  $L_1 + L_2 + L_3 + L_4$  και  $L_1 + L_2 + L_3 + L_5$  και  $L_1 + L_2 + L_6 + L_7 \leq 500$  m (1,25 mm<sup>2</sup> ή μεγαλύτερο)
  - Μέγιστο μήκος καλωδίου μετάδοσης:  $L_1$  και  $L_3 + L_4$  και  $L_3 + L_5$  και  $L_2 + L_6$  και  $L_7 \leq 200$  m (1,25 mm<sup>2</sup> ή μεγαλύτερο)
  - Μήκος καλωδίου τηλεχειριστηρίου:  $l_1, l_2, l_3, l_4 \leq 10$  m (0,5 έως 1,25 mm<sup>2</sup>)
- Αν το μήκος υπερβαίνει τα 10 m, χρησιμοποιήστε θωρακισμένο καλώδιο 1,25 mm<sup>2</sup>. Το μήκος αυτού του τμήματος ( $L_3$ ) πρέπει να συμπεριλαμβάνεται στον υπολογισμό του μέγιστου μήκους και του συνολικού μήκους.

Fig. 6-2

<Παράδειγμα καλωδίωσης μετάδοσης: Σύνδεση με κουτί διακλάδωσης>



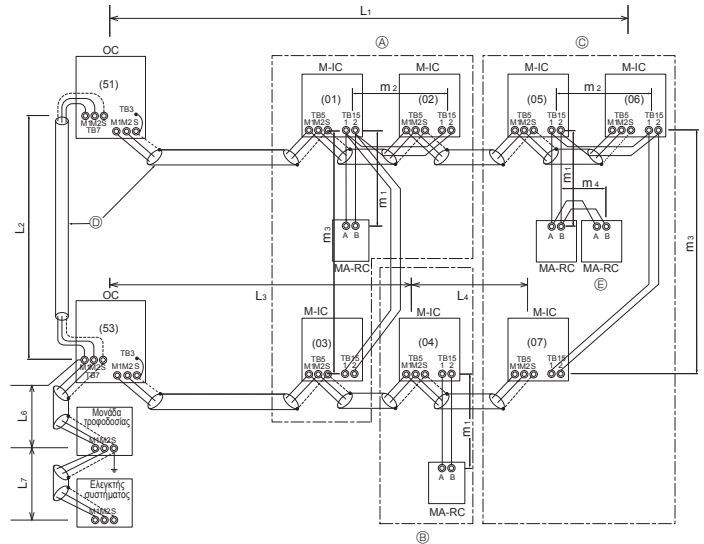
- Ⓐ : Θωρακισμένο καλώδιο
- ( ) : Παράδειγμα διεύθυνσης
- A-IC : Εσωτερική μονάδα σειράς M, S, P

<Επιτρεπόμενα μήκη>

- Μέγιστο μήκος μέσω εξωτερικών μονάδων (καλώδιο M-NET):  $L_1 + L_2 + L_3 + L_4 + L_5 \leq 500$  m (1,25 mm<sup>2</sup> ή μεγαλύτερο)
- Μέγιστο μήκος καλωδίου μετάδοσης (καλώδιο M-NET):  $L_1 + L_2, L_3 + L_4, L_5 \leq 200$  m (1,25 mm<sup>2</sup> ή περισσότερο)

Fig. 6-4

■ Τηλεχειριστήριο MA

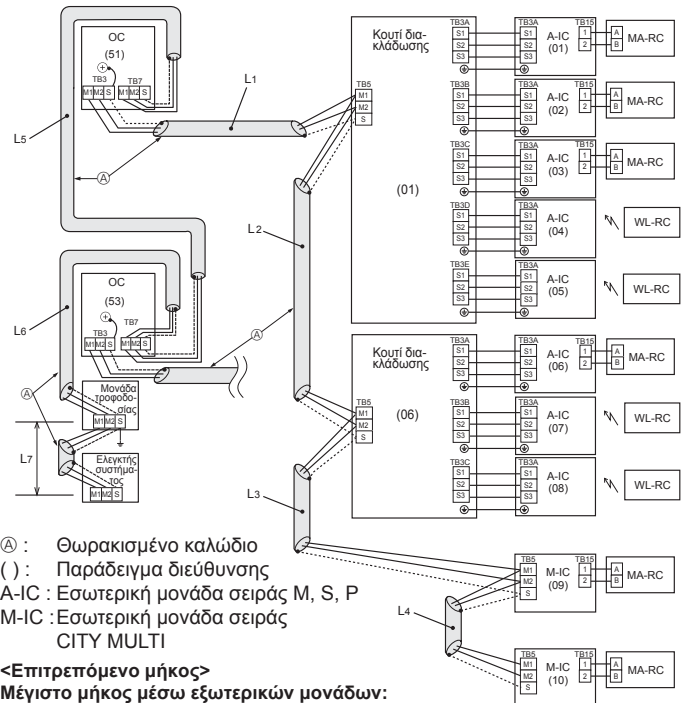


<Επιτρεπόμενα μήκη>

- Μέγιστο μήκος μέσω εξωτερικής μονάδας (καλώδιο M-NET):  $L_1 + L_2 + L_3 + L_4$  και  $L_1 + L_2 + L_5 + L_7 \leq 500$  m (1,25 mm<sup>2</sup> ή μεγαλύτερο)
- Μέγιστο μήκος καλωδίου μετάδοσης (καλώδιο M-NET):  $L_1$  και  $L_3 + L_4$  και  $L_2 + L_6$  και  $L_7 \leq 200$  m (1,25 mm<sup>2</sup> ή μεγαλύτερο)
- Μήκος καλωδίου τηλεχειριστηρίου:  $m_1$  και  $m_1 + m_2 + m_3$  και  $m_1 + m_2 + m_3 + m_4 \leq 200$  m (0,3 έως 1,25 mm<sup>2</sup>)

Fig. 6-3

<Παράδειγμα καλωδίωσης μετάδοσης: Μεικτό σύστημα>



- Ⓐ : Θωρακισμένο καλώδιο
- ( ) : Παράδειγμα διεύθυνσης
- A-IC : Εσωτερική μονάδα σειράς M, S, P
- M-IC : Εσωτερική μονάδα σειράς CITY MULTI

<Επιτρεπόμενα μήκη>

- Μέγιστο μήκος μέσω εξωτερικών μονάδων:  $L_1 + L_2 + L_3 + L_4 + L_5 + L_6 + L_7 \leq 500$  m (1640 ft.) (1,25 mm<sup>2</sup> ή μεγαλύτερο)
- Μέγιστο μήκος καλωδίου μετάδοσης:  $L_1 + L_2 + L_3 + L_4, L_5 + L_6, L_7 \leq 200$  m (656 ft.) (1,25 mm<sup>2</sup> ή μεγαλύτερο)

Fig. 6-5

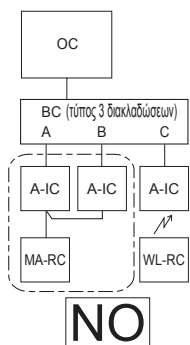
Σημείωση:

Δεν είναι δυνατή η ομαδοποίηση της μονάδας Cylinder ή Hydrobox με άλλη μονάδα εκτός των μονάδων Cylinder ή Hydrobox. Επιπλέον, όταν είναι συνδεδεμένη η μονάδα Cylinder ή Hydrobox, δεν είναι δυνατή η λειτουργία πολλών εξωτερικών μονάδων ταυτόχρονα.

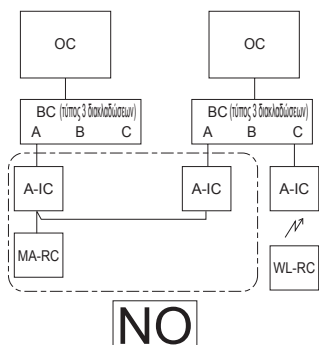
## 6. Ηλεκτρικές εργασίες

<Εσφαλμένα συστήματα>

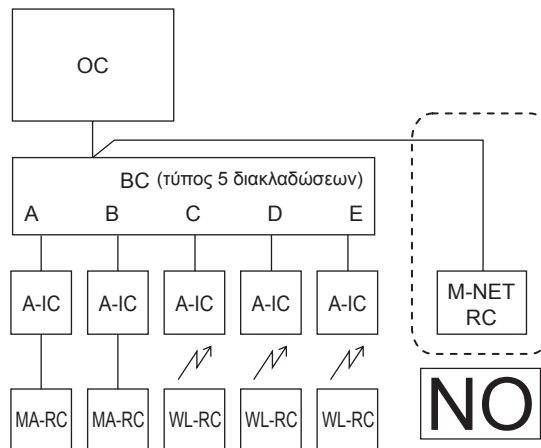
1. Λειτουργία ομάδας με ένα τηλεχειριστήριο



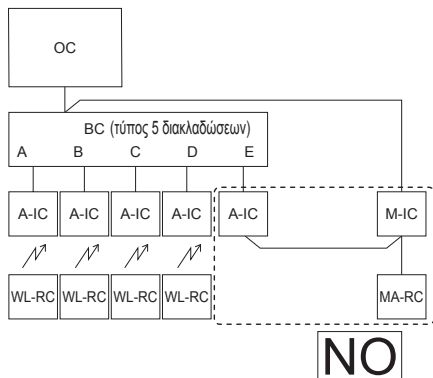
2. Λειτουργία ομάδας μεταξύ συστημάτων διαφορετικού ψυκτικού μέσου



3. Σύνδεση τηλεχειριστηρίου M-NET



4. Λειτουργία ομάδας μεταξύ συστήματος ελέγχου A και συστήματος ελέγχου M-NET.



1. Δεν είναι δυνατή η λειτουργία πολλών εσωτερικών μονάδων με ένα τηλεχειριστήριο.
2. Δεν είναι δυνατή η σύνδεση συστημάτων διαφορετικού ψυκτικού μέσου μεταξύ τους.
3. Δεν είναι δυνατή η σύνδεση τηλεχειριστηρίου M-NET.
4. Δεν είναι δυνατή η σύνδεση συστημάτων ελέγχου διαφορετικού τύπου (A-IC/ M-IC) μεταξύ τους.

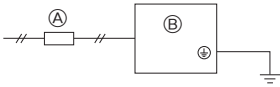
## 6. Ηλεκτρικές εργασίες

### 6.4. Σύνδεση ηλεκτρικής παροχής και ικανότητα συσκευών

Σχηματική Παράσταση Καλωδίωσης: Όταν δεν χρησιμοποιείται κουτί διακλάδωσης (Παράδειγμα) (Fig. 6-6)

#### ■ PUMY-P-VKM4

~N 220-230-240 V 50 Hz  
~N 220-230 V 60 Hz



#### ■ PUMY-P-YKM(E)4

• YKM4  
3N~380-400-415 V 50 Hz  
3N~380 V 60 Hz  
• YKME4  
3N~380-400-415 V 50 Hz

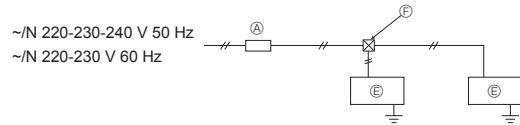
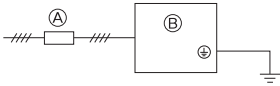


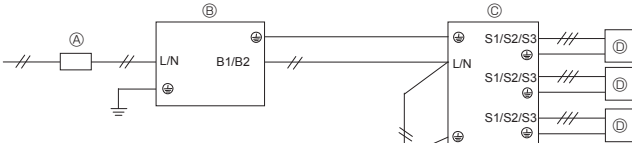
Fig. 6-6

Σχηματική Παράσταση Καλωδίωσης: Όταν χρησιμοποιείται κουτί διακλάδωσης (Παράδειγμα) (Fig. 6-7)

<Όταν παρέχεται ρεύμα από την εξωτερική μονάδα>

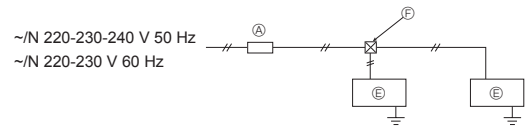
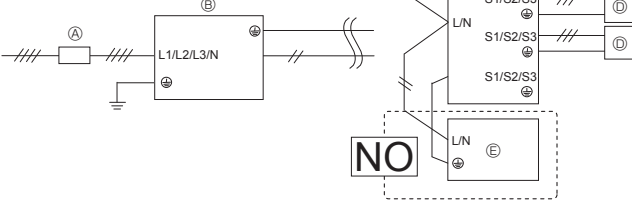
#### ■ PUMY-P-VKM4

~N 220-230-240 V 50 Hz  
~N 220-230 V 60 Hz



#### ■ PUMY-P-YKM(E)4

• YKM4  
3N~380-400-415 V 50 Hz  
3N~380 V 60 Hz  
• YKME4  
3N~380-400-415 V 50 Hz



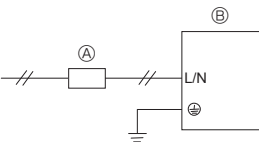
- Ⓐ Διακόπτης (ασφάλεια) Καλωδίου (Διακόπτης γείωσης για διαρροή)
- Ⓑ Εξωτερική μονάδα
- Ⓒ Κουτί διακλάδωσης
- Ⓓ "Α-Έλεγχος" εσωτερικής μονάδας (Εσωτερική μονάδα σειράς M, S, P)
- Ⓔ Μηχανισμός ελέγχου εσωτερικής μονάδας M-NET (Εσωτερική μονάδα City Multi)
- Ⓕ Κουτί που τραβιέται

\* Η εσωτερική μονάδα ελέγχου M-NET δεν μπορεί να τροφοδοτηθεί με ρεύμα από εξωτερική μονάδα, επομένως πρέπει να διαθέτει ξεχωριστή τροφοδοσία ρεύματος.

<Όταν παρέχεται ρεύμα ξεχωριστά>

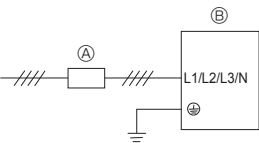
#### ■ PUMY-P-VKM4

~N 220-230-240 V 50 Hz  
~N 220-230 V 60 Hz

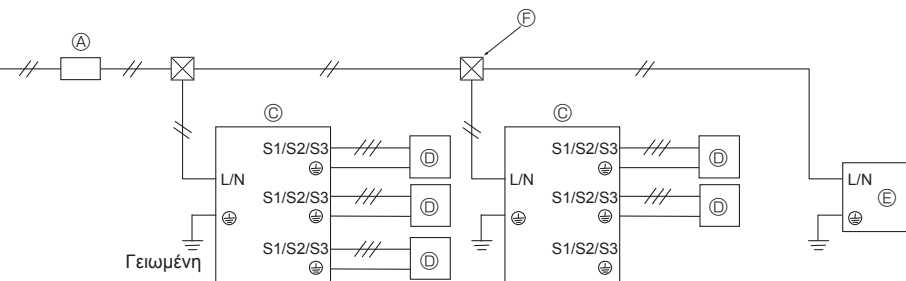


#### ■ PUMY-P-YKM(E)4

• YKM4  
3N~380-400-415 V 50 Hz  
3N~380 V 60 Hz  
• YKME4  
3N~380-400-415 V 50 Hz



~N 220-230-240 V 50 Hz  
~N 220-230 V 60 Hz



Σημείωση: ΚΟΥΤΙ αντιδραστήρα (προαιρετικά εξαρτήματα)  
Αν το προϊόν χρησιμοποιηθεί για άλλον σκοπό πέραν ως επαγγελματικού εξοπλισμού, ίσως χρειαστεί ΚΟΥΤΙ αντιδραστήρα.

Εξωτερική μονάδα	Μέθοδος τροφοδοσίας κουτιού διακλάδωσης	
	Τροφοδοσία από εξωτερική μονάδα	Ξεχωριστή παροχή ρεύματος
Τροφοδοσία 1 φάσης	Περιστή	Απαραίτητη
Τροφοδοσία 3 φάσεων	Απαραίτητη	Απαραίτητη

Fig. 6-7

## 6. Ηλεκτρικές εργασίες

### Περιοχή διατομής καλωδίου για χωρητικότητα κύριας παροχής ρεύματος και ενεργοποίησης/απενεργοποίησης

<Όταν παρέχεται ρεύμα ξεχωριστά>

Μοντέλο		Τροφοδοσία	Ελάχιστη περιοχή διατομής καλωδίου (mm <sup>2</sup> )			Διακόπτης (ασφάλεια) για Καλώδια *1	Διακόπτης (ασφάλεια) για Διαρροή Ρεύματος
			Ηλεκτρ. Καλώδιο	Διακλάδωση	Γείωση		
Εξωτερική Μονάδα	P112-140VKM4	~N 220-230-240 V 50 Hz ~N 220-230 V 60 Hz	6	–	6	32 A	32 A 30 mA 0,1 δευτ. ή λιγότερο
	P112-140YKM4	3N~380-400-415 V 50 Hz 3N~380 V 60 Hz	1,5	–	1,5	16 A	16 A 30 mA 0,1 δευτ. ή λιγότερο
	P112-140YKME4	3N~380-400-415 V 50 Hz					

<Όταν παρέχεται ρεύμα από την εξωτερική μονάδα>

Μοντέλο		Τροφοδοσία	Ελάχιστη περιοχή διατομής καλωδίου (mm <sup>2</sup> )			Διακόπτης (ασφάλεια) για Καλώδια *1	Διακόπτης (ασφάλεια) για Διαρροή Ρεύματος
			Ηλεκτρ. Καλώδιο	Διακλάδωση	Γείωση		
Εξωτερική Μονάδα	P112-140VKM4	~N 220-230-240 V 50 Hz ~N 220-230 V 60 Hz	6	–	6	40 A	40 A 30 mA 0,1 δευτ. ή λιγότερο
	P112-140YKM4	3N~380-400-415 V 50 Hz 3N~380 V 60 Hz	2,5	–	2,5	20 A	20 A 30 mA 0,1 δευτ. ή λιγότερο
	P112-140YKME4	3N~380-400-415 V 50 Hz					

\*1 Χρησιμοποιήστε διακόπτη χωρίς ασφάλεια (NF) ή διακόπτη διαρροής προς γη (NV) με διάκενο τουλάχιστον 3,0 mm σε κάθε πόλο.

<Εσωτερικές μονάδες>

Συνολικό ρεύμα λειτουργίας της εσωτερικής μονάδας	Ελάχιστο Πάχος Καλωδίου (mm <sup>2</sup> )			Διακόπτης κυκλώματος βλάβης γείωσης *1	Τοπικός διακόπτης (A)		Αυτόματος διακόπτης καλωδίωσης (NFB)
	Κύριο καλώδιο	Διακλάδωση	Γείωση		Χωρητικότητα	Ασφάλεια	
F0 = 16 A ή λιγότερο *2	1,5	1,5	1,5	Ευαισθησία ρεύματος 20 A *3	16	16	20
F0 = 25 A ή λιγότερο *2	2,5	2,5	2,5	Ευαισθησία ρεύματος 30 A *3	25	25	30
F0 = 32 A ή λιγότερο *2	4,0	4,0	4,0	Ευαισθησία ρεύματος 40 A *3	32	32	40

Για τη μέγιστη επιτρεπόμενη εμπέδηση του συστήματος, εφαρμόστε το πρότυπο IEC61000-3-3.

\*1 Ο διακόπτης κυκλώματος βλάβης γείωσης θα πρέπει να υποστηρίζει το κύκλωμα του αναστροφεία.

Ο διακόπτης κυκλώματος βλάβης γείωσης θα πρέπει να χρησιμοποιεί συνδυαστικά τον τοπικό διακόπτη ή τον αυτόματο διακόπτη καλωδίωσης.

\*2 Ως τιμή για το F0 πρέπει να λαμβάνεται η υψηλότερη από τις τιμές F1 ή F2.

F1 = Συνολικό μέγιστο ρεύμα λειτουργίας των εσωτερικών μονάδων × 1,2

F2 =  $\{V1 \times (\text{Ποσοότητα τύπου 1})/C\} + \{V1 \times (\text{Ποσοότητα τύπου 2})/C\} + \{V1 \times (\text{Ποσοότητα τύπου 3})/C\} + \dots + \{V1 \times (\text{Ποσοότητα τύπου 14})/C\}$

Σύνδεση στο κουτί διακλάδωσης (PAC-MK-BC(B))

Εσωτερική μονάδα		V1	V2
Τύπος 1	PEAD-RP-JA(L)Q, PEAD-M-JA(L), PEY-(S)P-JA	26,9	2,4
Τύπος 2	SEZ-KD-VAQ(L), SEZ-M-DA(L), PCA-RP-KAQ, PCA-M-KA, PLA-ZRP-BA, PLA-RP-EA, SLZ-KF-VA2, SLZ-M-FA, PLY-(S)P-BA, SEZ-KH-VALT, PCY-(S)P-KA	19,8	
Τύπος 3	MLZ-KA-VA, SLZ-KA-VAQ(L)3	9,9	
Τύπος 4	MFZ-KJ-VE2, MSXY-FJ-VE, MSZ-LN-VG, MSZ-AP-VG, MLZ-KP-VF	7,4	
Τύπος 5	MSZ-FH-VE, MSZ-SF-VE, MSZ-EF-VE, MSZ-SF-VA, MSZ-GF-VE, MSZ-GE-VA, MSZ-EF-VA, MSY-GE-VA, MSY-EF-VA, MSZ-FH-VA, MSY-GH-VA, MSZ-FK-VA, MSZ-GC-NA	6,8	
Τύπος 6	Κουτί διακλάδωσης (PAC-MK-BC(B))	5,1	
Τύπος 7	Γενιά ecodan C		5,0 *5

\*5 Η τιμή αυτή ενδέχεται να αυξηθεί λόγω τοπικά συνδεδεμένου ενεργοποιητή.

Σύνδεση με κιτ σύνδεσης (PAC-LV11M-J)

Εσωτερική μονάδα		V1	V2
Τύπος 8	MFZ-KJ-VE2	7,4	2,4
Τύπος 9	MSZ-GE-VA, MSZ-SF-VA, MSZ-SF-VE, MSZ-EF-VE, MSZ-FH-VE, MSY-GE-VA, MSY-GH-VA	6,8	
Τύπος 10	Κιτ σύνδεσης (PAC-LV11M-J)	3,5	

Εσωτερική μονάδα		V1	V2
Τύπος 11	PEFY-VMA(L)-E, PEFY-VMA3-E	38,0	1,6
Τύπος 12	PMFY-VBM-E, PLFY-VEM-E, PLFY-VFM-E1, PEFY-VMS1(L)-E, PCFY-VKM-E, PKFY-VHM-E, PKFY-VKM-E, PFFY-VKM-E2, PFFY-VLRMM-E, PLFY-EP-VEM-E, PMFY-P-VFM-D	19,8	2,4
Τύπος 13	PKFY-VBM-E	3,5	2,4
Τύπος 14	PLFY-VLMD-E, PEFY-VMR-E-L/R, PDFY-VM-E, PEFY-VMH-E, PFFY-VLEM-E, PFFY-VLRM-E, PWFY-VM-E1(2)-AU, PEFY-P-VMH-E-F, GUF-RD(H)4	0,0	0,0

C : Πολλαπλασιάστε το ρεύμα βραχυκύκλωσης σε χρόνο βραχυκύκλωσης 0,01s

Εντοπίστε το "C" στα χαρακτηριστικά ρεύματος βραχυκύκλωσης του ασφαλειοδιακόπτη.

## 6. Ηλεκτρικές εργασίες

<Παράδειγμα υπολογισμού "F2">

Συνθήκη PEFY-VMS × 4 + PEFY-VMA × 1, C = 8 (ανατρέξτε στο διάγραμμα με το παράδειγμα στα δεξιά)

$$F2 = 19,8 \times 4/8 + 38 \times 1/8$$

$$= 14,65$$

→ Ασφαλειοδιακόπτης 16 A (Ρεύμα βραχυκύκλωσης = 8 × 16 A στα 0,01 s)

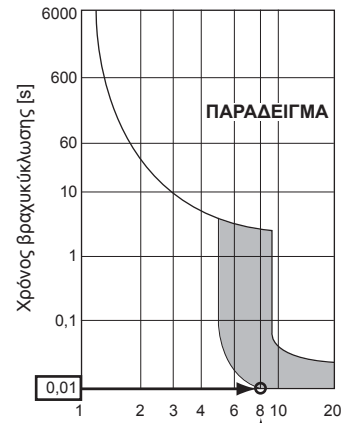
\* 3 Η ευαισθησία ρεύματος υπολογίζεται με τον ακόλουθο τύπο.

$$G1 = V2 \times (\text{Ποσότητα τύπου 1}) + V2 \times (\text{Ποσότητα τύπου 2}) + V2 \times (\text{Ποσότητα τύπου 3}) + \dots + V2 \times (\text{Ποσότητα τύπου 14}) + V3 \times (\text{Μήκος καλωδίου [km]})$$

G1	Ευαισθησία ρεύματος
30 ή λιγότερο	30 mA 0,1 sec ή λιγότερο
100 ή λιγότερο	100 mA 0,1 sec ή λιγότερο

Πάχος καλωδίου	V3
1,5 mm <sup>2</sup>	48
2,5 mm <sup>2</sup>	56
4,0 mm <sup>2</sup>	66

Σχεδιάγραμμα παραδείγματος



Γνωμαστική τιμή ρεύματος βραχυκύκλωσης (x)

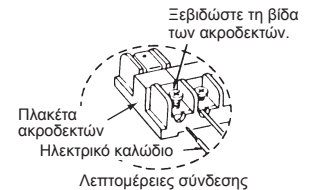
1. Λάβετε υπ' όψιν σας τις περιβαλλοντολογικές συνθήκες (θερμοκρασία περιβάλλοντος, άμεση ηλιακή ακτινοβολία, βρόχινα νερά, κλπ.), όταν προχωρείτε στις καλωδιακές εργασίες και τις συνδέσεις τους.
2. Το μέγεθος του καλωδίου είναι η ελάχιστη τιμή για τους μεταλλικούς αγωγούς της καλωδίωσης. Το μέγεθος του καλώδιου παροχής ισχύος πρέπει να είναι ένα βαθμό παχύτερο ανάλογα με την πτώση της τάσης. Βεβαιωθείτε ότι η τάση της παροχής του ρεύματος δεν πέφτει περισσότερο από 10%.
3. Εξειδικευμένες απαιτήσεις καλωδίωσης πρέπει να τηρούνται ανάλογα με τους κανονισμούς καλωδίωσης της περιοχής.
4. Σε σημεία εφαρμογών για εξωτερική χρήση, τα καλώδια παροχής ισχύος δεν πρέπει να είναι πιο φωτεινά από τα πολυκλώνα ευλύγιστα καλώδια με επένδυση (σχήδιο 60245 IEC57). Για παράδειγμα, χρησιμοποιήστε καλώδια του τύπου YZW.
5. Εγκαταστήστε μια γείωση μεγαλύτερη από τα άλλα καλώδια.

### ⚠ Προειδοποίηση:

- Βεβαιωθείτε ότι χρησιμοποιούνται για τις συνδέσεις τα καλώδια που καθορίζονται ώστε να μην ασκούνται εξωτερικές δυνάμεις στις συνδέσεις τερματικών. Εάν οι συνδέσεις δεν είναι καλά προσαρμοσμένες, ενδέχεται να προκαλέσουν υπερθέρμανση ή πυρκαγιά.
- Βεβαιωθείτε ότι χρησιμοποιείτε τον κατάλληλο τύπο διακόπτη προστασίας από υπερβολική ένταση ρεύματος. Σημειώστε ότι η υπερβολική ένταση ρεύματος που τυχόν να παράγεται ενδέχεται να συμπεριλαμβάνει συνεχές ρεύμα σε κάποια ποσότητα.
- Βεβαιωθείτε ότι έχετε στερεώσει καλά τα καλύμματα/τον πίνακα πλακέτας ακροδεκτών της εξωτερικής μονάδας. Αν δεν στερεωθεί σωστά, υπάρχει κίνδυνος πυρκαγιάς ή ηλεκτροπληξίας λόγω σκόνης, νερού κ.λπ.

### ⚠ Προσοχή:

- Προσέξτε να μην κάνετε λάθος συνδέσεις.
- Βιδώστε σφιχτά τις βίδες των ακροδεκτών για να αποφύγετε τυχόν ξεβιδωμά τους.
- Αφού τις βιδώσετε, τραβήξτε ελαφρώς τα καλώδια για να βεβαιωθείτε ότι δεν κινούνται.
- Αν το καλώδιο σύνδεσης συνδεθεί εσφαλμένα στην πλακέτα ακροδεκτών, η μονάδα δεν λειτουργεί κανονικά.
- Μερικές τοποθεσίες εγκατάστασης ενδέχεται να χρειάζονται την ύπαρξη διακόπτη (ασφάλεια) γείωσης για περιπτώσεις διαρροής. Εάν δεν εγκατασταθεί διακόπτης (ασφάλεια) γείωσης ενδέχεται να προκληθεί ηλεκτροπληξία.
- Μη χρησιμοποιείτε διακόπτες και ασφάλειες που δεν έχουν την προβλεπόμενη ικανότητα. Χρήση ασφαλειών και καλωδίων ή καλωδίων χαλκού πολύ μεγάλης ικανότητας ενδέχεται να προκαλέσουν βλάβη στη λειτουργία της μονάδας ή πυρκαγιά.



### ΣΗΜΑΝΤΙΚΟ

Βεβαιωθείτε ότι ο διακόπτης διαρροής είναι συμβατός με υψηλές συχνότητες.

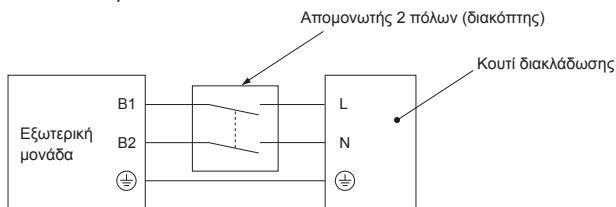
Πάντα να χρησιμοποιείτε διακόπτη διαρροής συμβατό με υψηλές συχνότητες καθώς αυτή η μονάδα είναι εξοπλισμένη με αναστροφέα.

Η χρήση ανεπαρκούς διακόπτη ενδέχεται να οδηγήσει σε λανθασμένη λειτουργία του αναστροφέα.

Μην συγκολλήσετε ποτέ το καλώδιο τροφοδοσίας ή το καλώδιο σύνδεσης εσωτερικής μονάδας-εξωτερικής μονάδας-κουτιού διακλάδωσης, διαφορετικά ενδέχεται να προκληθεί καπνός, πυρκαγιά ή σφάλμα επικοινωνίας.

### ⚠ Προειδοποίηση:

- Απενεργοποιήστε την κύρια τροφοδοσία κατά τη διεξαγωγή εργασιών σέρβις. Επίσης, μην αγγίζετε τους ακροδέκτες B1, B2 παρουσία τροφοδοσίας. Αν πρέπει να χρησιμοποιηθεί απομονωτής μεταξύ της εξωτερικής μονάδας και του κουτιού διακλάδωσης/της εσωτερικής μονάδας και του κουτιού διακλάδωσης, χρησιμοποιήστε τύπο 2 πόλων. (Ανατρέξτε στην παρακάτω εικόνα).



### ⚠ Προσοχή:

Μετά τη χρήση του απομονωτή, φροντίστε να απενεργοποιήσετε και να ενεργοποιήσετε την κύρια τροφοδοσία για να επαναφέρετε το σύστημα. Σε διαφορετική περίπτωση, η εξωτερική μονάδα ενδέχεται να μην μπορεί να ανιχνεύσει το κουτί/τα κουτιά διακλάδωσης ή τις εσωτερικές μονάδες.

Φροντίστε να συνδέσετε τα καλώδια σύνδεσης εξωτερικής μονάδας-κουτιού διακλάδωσης/εσωτερικής μονάδας-κουτιού διακλάδωσης απευθείας στις μονάδες (χωρίς ενδιάμεσες συνδέσεις).

Οι ενδιάμεσες συνδέσεις μπορεί να οδηγήσουν σε σφάλματα επικοινωνίας αν εισχωρήσει νερό στα καλώδια και προκληθεί ανεπαρκής μόνωση με τη γείωση ή κακή ηλεκτρική επαφή στο σημείο της ενδιάμεσης σύνδεσης.


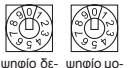

(Αν απαιτείται ενδιάμεση σύνδεση, φροντίστε να λάβετε μέτρα ώστε να αποτραπεί η εισχώρηση νερού στα καλώδια).



## 6. Ηλεκτρικές εργασίες

### 6.5. Ρύθμιση διεύθυνσεων

Ρύθμιση διεύθυνσης διακόπτη

	Εξωτερική	Κουτί διακλάδωσης				Εσωτερική μονάδα σειράς M, S, P	Σειρά CITY MULTI																																										
		Διεύθυνση		Ρύθμιση σύνδεσης																																													
<b>Διακόπτης</b>  ψηφίο δεκάδων SWU2    ψηφίο μονάδων SWU1		 ψηφίο δεκάδων SW12    ψηφίο μονάδων SW11	A B C D E - <table border="1" style="display: inline-table;"> <tr><td>1</td><td>2</td><td>3</td><td>4</td><td>5</td><td>6</td></tr> </table>	1	2	3	4	5	6	ON: Σύνδεση εσωτερικής μονάδας OFF: Χωρίς σύνδεση (SW1-6: δεν χρησιμοποιούνται) SW1	Καμία	 ψηφίο δεκάδων SW12    ψηφίο μονάδων SW11																																					
1	2	3	4	5	6																																												
Εύρος	51 - 100	1 - 50		-	-	1 - 50																																											
Ρύθμιση	Διεύθυνση εσωτερικής μονάδας ελέγχου M ή κουτιού διακλάδωσης +50	• Ανάλογα με τη ρυθμισμένη διεύθυνση (για παράδειγμα 01), οι διεύθυνσεις για τις συνδεδεμένες εσωτερικές μονάδες ρυθμίζονται διαδοχικά (για παράδειγμα 02, 03, 04 και 05). <table border="1" style="display: inline-table;"> <tr><th>SW1</th><th>1</th><th>2</th><th>3</th><th>4</th><th>5</th></tr> <tr><td></td><td>ON</td><td>ON</td><td>ON</td><td>ON</td><td>ON</td></tr> <tr><th>Θύρα</th><td>A</td><td>B</td><td>C</td><td>D</td><td>E</td></tr> <tr><th>Διεύθυνση</th><td>01</td><td></td><td></td><td></td><td>(SW11, 12)</td></tr> <tr><td></td><td></td><td>02</td><td>03</td><td>04</td><td>05 (διαδοχικοί αριθμοί)</td></tr> </table>		SW1	1	2	3	4	5		ON	ON	ON	ON	ON	Θύρα	A	B	C	D	E	Διεύθυνση	01				(SW11, 12)			02	03	04	05 (διαδοχικοί αριθμοί)	• Προσδιορίστε αν οι εσωτερικές μονάδες είναι συνδεδεμένες σε κάθε θύρα (A, B, C, D και E). <table border="1" style="display: inline-table;"> <tr><th>SW1</th><th>1</th><th>2</th><th>3</th><th>4</th><th>5</th><th>(6)</th></tr> <tr><th>Θύρα</th><td>A</td><td>B</td><td>C</td><td>D</td><td>E</td><td>δεν χρησιμοποιούνται</td></tr> </table>	SW1	1	2	3	4	5	(6)	Θύρα	A	B	C	D	E	δεν χρησιμοποιούνται	Δεν υπάρχουν ρυθμίσεις διεύθυνσεων για τις εσωτερικές μονάδες.
SW1	1	2	3	4	5																																												
	ON	ON	ON	ON	ON																																												
Θύρα	A	B	C	D	E																																												
Διεύθυνση	01				(SW11, 12)																																												
		02	03	04	05 (διαδοχικοί αριθμοί)																																												
SW1	1	2	3	4	5	(6)																																											
Θύρα	A	B	C	D	E	δεν χρησιμοποιούνται																																											
				Οι εσωτερικές μονάδες είναι συνδεδεμένες ON Οι εσωτερικές μονάδες δεν είναι συνδεδεμένες OFF																																													

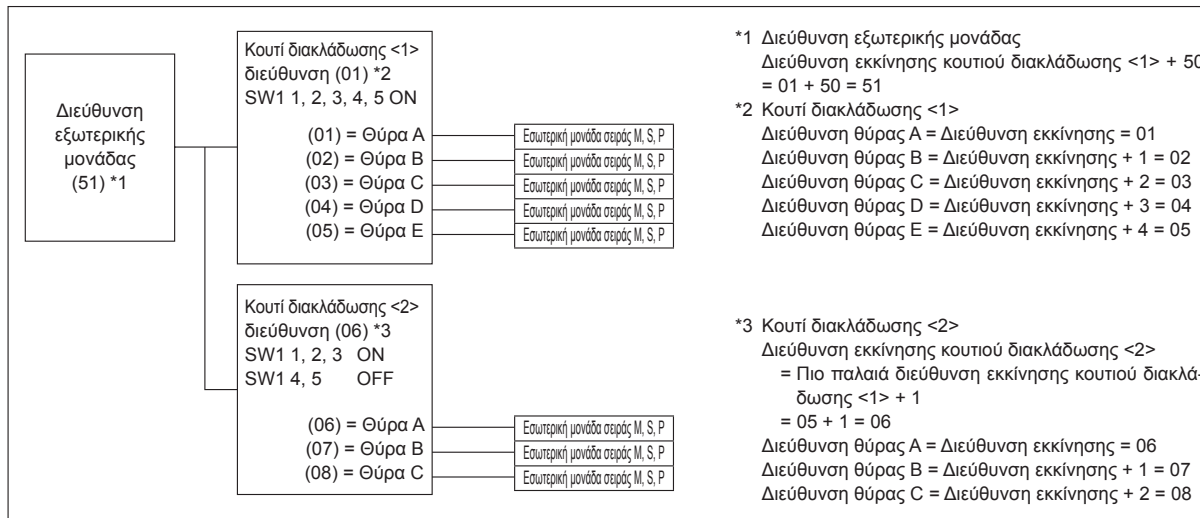
#### Σημείωση: 1. Διεύθυνση κουτιού διακλάδωσης

Κατά τη ρύθμιση της διεύθυνσης, χρησιμοποιήστε έναν αριθμό εντός του εύρους 1-50.

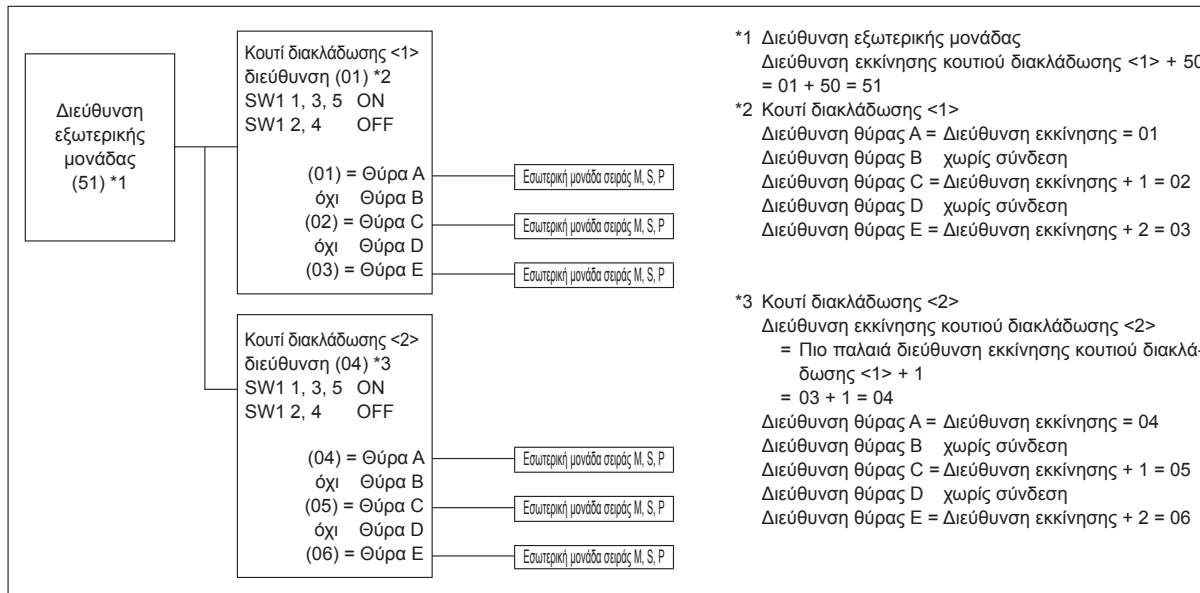
Π.χ. Η ρυθμισμένη διεύθυνση είναι (47) και υπάρχουν 5 εσωτερικές μονάδες (A, B, C, D και E).

Αν A: (47), B: (48), C: (49), D: (50) και E: (51), η διεύθυνση της θύρας E είναι εσφαλμένη επειδή υπερβαίνει την τιμή 50.

Π.χ. 1 Εξωτερική μονάδα + διακλάδωση <1> (A, B, C, D, E εσωτερικής μονάδας σειράς M, S, P) + διακλάδωση <2> (A, B, C εσωτερικής μονάδας σειράς M, S, P)

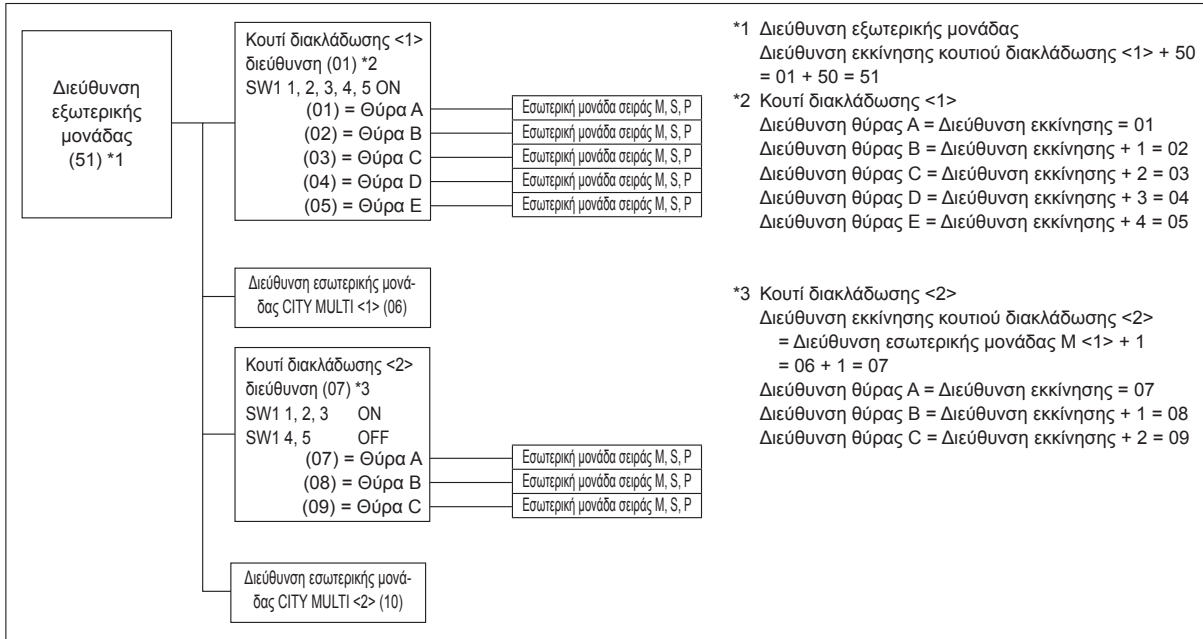


Π.χ. 2 Εξωτερική μονάδα + διακλάδωση <1> (A, C, E εσωτερικής μονάδας σειράς M, S, P) + διακλάδωση <2> (A, C, E εσωτερικής μονάδας σειράς M, S, P)



## 6. Ηλεκτρικές εργασίες

Π.χ. 3 Εξωτερική μονάδα + διακλάδωση <1> (A, B, C, D, E εσωτερικής μονάδας σειράς M, S, P) + διακλάδωση <2> (A, B, C εσωτερικής μονάδας σειράς M, S, P) + Εσωτερική μονάδα σειράς CITY MULTI <1> + Εσωτερική μονάδα σειράς CITY MULTI <2>



## 7. Δοκιμαστική λειτουργία

### 7.1. Πριν από τη δοκιμαστική λειτουργία

- ▶ Μετά την εγκατάσταση και αφού τελειώσετε με την καλωδίωση και τη σωλήνωση της εσωτερικής και της εξωτερικής μονάδας, ελέγξτε για τυχόν διαρροή ψυκτικού, χαλαρά καλώδια ηλεκτρικής παροχής ή καλωδίωσης ελέγχου, λανθασμένη πολικότητα ή αποσύνδεση μίας από τις φάσεις της παροχής.
- ▶ Χρησιμοποιήστε ωμόμετρο 500-volt για να ελέγξετε ότι η αντίσταση μεταξύ των ακροδεκτών τροφοδοσίας και της γείωσης είναι τουλάχιστον 1 MΩ.
- ▶ Μην εκτελέσετε αυτή τη δοκιμή στα τερματικά της καλωδίωσης ελέγχου (κύκλωμα χαμηλής τάσης).

#### ⚠ Προειδοποίηση:

Μην χρησιμοποιήσετε το κλιματιστικό αν η αντίσταση μόνωσης είναι μικρότερη από 1 MΩ.

#### Αντίσταση μόνωσης

Μετά την εγκατάσταση ή αφού έχετε αποσυνδέσει το κλιματιστικό από την πηγή τροφοδοσίας για μεγάλο χρονικό διάστημα, η αντίσταση της μόνωσης θα πέσει κάτω από 1 MΩ εξαιτίας της συσσώρευσης ψυκτικού στο συμπιεστή. Αυτό δεν αποτελεί βλάβη. Εκτελέστε τις παρακάτω εργασίες.

1. Απομακρύνετε τα καλώδια από το συμπιεστή και μετρήστε την αντίσταση μόνωσης του συμπιεστή.
2. Αν η αντίσταση της μόνωσης είναι κάτω από 1 MΩ, ο συμπιεστής έχει βλάβη ή η αντίσταση έπεσε εξαιτίας της συσσώρευσης ψυκτικού στο συμπιεστή.

### 7.2. Δοκιμαστική λειτουργία

#### 7.2.1. Χρήση του τηλεχειριστηρίου

Ανατρέξτε στο εγχειρίδιο εγκατάστασης της εσωτερικής μονάδας.

- Μην παραλείψετε να εκτελέσετε δοκιμαστική λειτουργία σε κάθε εσωτερική μονάδα. Βεβαιωθείτε ότι κάθε εσωτερική μονάδα λειτουργεί σωστά ακολουθώντας τις οδηγίες του εγχειριδίου εγκατάστασης που συνοδεύει τη μονάδα.
- Αν εκτελέσετε τη δοκιμαστική λειτουργία ταυτόχρονα σε όλες τις εσωτερικές μονάδες, δεν θα είναι δυνατός ο εντοπισμός λανθασμένης σύνδεσης, εάν υπάρχει, των σωλήνων ψυκτικού και των καλωδίων σύνδεσης.
- \* Ο συμπιεστής δεν λειτουργεί για τουλάχιστον 3 λεπτά μετά την παροχή ρεύματος.
- Ο συμπιεστής μπορεί να κάνει θόρυβο αμέσως μετά την τροφοδοσία με ρεύμα ή σε περίπτωση που η εξωτερική θερμοκρασία είναι χαμηλή.
- Ανάλογα με τις συνθήκες λειτουργίας, ο ανεμιστήρας της εξωτερικής μονάδας μπορεί να σταματήσει όσο λειτουργεί ο συμπιεστής, αλλά αυτό δεν αποτελεί δυσλειτουργία.

### 7.3. Εκκένωση του ψυκτικού (Άντληση)

Για να συλλέξετε το ψυκτικό υγρό κατά τη μετακίνηση της εσωτερικής ή της εξωτερικής μονάδας, εκτελέστε τις παρακάτω διαδικασίες.

- ① Απενεργοποιήστε το διακόπτη κυκλώματος.
- ② Συνδέστε την πλευρά χαμηλής πίεσης του πολλαπλού μετρητή στη θυρίδα συντήρησης της ανασταλτικής βαλβίδας της γραμμής αερίου.
- ③ Κλείστε την ανασταλτική βαλβίδα της γραμμής υγρού.
- ④ Ενεργοποιήστε την τροφοδοσία (διακόπτης κυκλώματος).
- \* Για την έναρξη της επικοινωνίας μεταξύ της εσωτερικής και της εξωτερικής μονάδας χρειάζονται περίπου 3 λεπτά μετά την ενεργοποίηση της τροφοδοσίας (διακόπτης κυκλώματος). Εκκινήστε τη διαδικασία εκκένωσης 3 έως 4 λεπτά μετά την ενεργοποίηση της τροφοδοσίας (διακόπτης κυκλώματος).
- ⑤ Βεβαιωθείτε ότι ο διακόπτης SW3-2 έχει ρυθμιστεί στη θέση OFF και, στη συνέχεια, ρυθμίστε το διακόπτη SW3-1 στη θέση ON για να εκτελέσετε τη δοκιμαστική λειτουργία για τη λειτουργία ψύξης. Ξεκινά η λειτουργία του συμπιεστή (εξωτερική μονάδα) και των ανεμιστήρων (εσωτερική και εξωτερική μονάδα) και αρχίζει η δοκιμαστική λειτουργία για τη λειτουργία ψύξης. Αμέσως μετά την εκτέλεση της δοκιμαστικής λειτουργίας για τη λειτουργία ψύξης, ρυθμίστε το κεντρικό διακόπτη SW2-4 της εξωτερικής μονάδας (διακόπτης εκκένωσης) από τη θέση OFF στη θέση ON.
- \* Μην συνεχίζετε τη λειτουργία για μεγάλο χρονικό διάστημα με το διακόπτη SW2-4 στη θέση ON. Φροντίστε να γυρίσετε το διακόπτη στη θέση OFF μετά την ολοκλήρωση της εκκένωσης.

3. Αφού συνδέσετε τα καλώδια στο συμπιεστή, ο συμπιεστής θα αρχίσει να θερμαίνεται μόλις τροφοδοτηθεί με ρεύμα. Αφού τροφοδοτηθεί με ρεύμα για τους χρόνους που αναφέρονται παρακάτω, μετρήστε ξανά την αντίσταση της μόνωσης.
  - Η αντίσταση μόνωσης πέφτει εξαιτίας της συσσώρευσης ψυκτικού στο συμπιεστή. Η αντίσταση θα ανέβει και πάλι πάνω από 1 MΩ αφού ο συμπιεστής θερμανθεί για 12 ώρες.  
(Ο χρόνος που απαιτείται για τη θέρμανση του συμπιεστή ποικίλλει ανάλογα με τις συνθήκες του περιβάλλοντος και τη συσσώρευση ψυκτικού.)
  - Για να δουλέψει ο συμπιεστής με συσσωρευμένο ψυκτικό, πρέπει πρώτα να θερμανθεί τουλάχιστον 12 ώρες για να αποτραπεί ο κίνδυνος βλάβης.
4. Αν η αντίσταση της μόνωσης ανέβει πάνω 1 MΩ, ο συμπιεστής δεν έχει βλάβη.

#### ⚠ Προσοχή:

- Ο συμπιεστής δεν θα λειτουργήσει εάν η φάση της ηλεκτρικής παροχής δεν είναι σωστή.
- **Ανοίξει τον διακόπτη τροφοδοσίας τουλάχιστον 12 ώρες πριν την έναρξη λειτουργίας.**
  - Αρχίζοντας τη λειτουργία της συσκευής αμέσως μετά το άνοιγμα του κεντρικού διακόπτη τροφοδοσίας, ενδέχεται να προκληθεί σοβαρή ζημιά σε εσωτερικά τμήματα. Κατά την εποχή διάρκειας λειτουργίας της συσκευής, αφήστε τον διακόπτη τροφοδοσίας αναμμένο.
- ▶ Πρέπει επίσης να ελέγξετε τα παρακάτω.
  - Η εξωτερική μονάδα δεν έχει βλάβη. Η ενδεικτική λυχνία στον πίνακα ελέγχου της εξωτερικής μονάδας αναβοσβήνει όταν η εξωτερική μονάδα παρουσιάζει βλάβη.
  - Οι ανασταλτικές βαλβίδες και της γραμμής υγρού και της γραμμής αερίου είναι εντελώς ανοικτές.

#### Πληροφορίες για τον προστατευτικό μηχανισμό επανεκκίνησης

Από τη στιγμή που θα σταματήσει να λειτουργεί ο συμπιεστής, ο προστατευτικός μηχανισμός επανεκκίνησης λειτουργεί έτσι ώστε ο συμπιεστής να μην λειτουργήσει για τα επόμενα 3 λεπτά προκειμένου να προστατευτεί το κλιματιστικό.

- ⑥ Κλείστε πλήρως την ανασταλτική βαλβίδα της γραμμής αερίου όταν η ένδειξη της πίεσης στο μετρητή πέσει στα 0,05 - 0,00 MPa (περίπου 0,5 - 0,0 kgf/cm<sup>2</sup>)
- ⑦ Διακόψτε τη λειτουργία του κλιματιστικού (SW3-1: OFF). Γυρίστε τον κεντρικό διακόπτη SW2-4 της εξωτερικής μονάδας από τη θέση ON στη θέση OFF.
- ⑧ Απενεργοποιήστε την τροφοδοσία (διακόπτης κυκλώματος).
  - \* Αν έχει προστεθεί υπερβολική ποσότητα ψυκτικού υγρού στο σύστημα του κλιματιστικού, η πίεση ενδέχεται να μην πέσει στα 0,05 MPa (0,5 kgf/cm<sup>2</sup>). Αν συμβεί κάτι τέτοιο, χρησιμοποιήστε μια συσκευή συλλογής ψυκτικού υγρού για να συλλέξετε όλο το ψυκτικό υγρό από το σύστημα και, στη συνέχεια, επαναπληρώστε το σύστημα με τη σωστή ποσότητα ψυκτικού υγρού, αφού επαναποθετήσετε την εσωτερική και την εξωτερική μονάδα.

#### ⚠ Προειδοποίηση:

Κατά την εκκένωση του ψυκτικού, σταματήστε το συμπιεστή πριν αποσυνδέσετε τους σωλήνες ψυκτικού. Εάν εισχωρήσει στο σύστημα οποιαδήποτε ξένη ουσία, όπως αέρας, ενδέχεται να προκληθεί διάρρηξη του συμπιεστή και τραυματισμός.

# Índice

1. Precauções de Segurança .....	156	5. Trabalho de tubagem de drenagem .....	168
2. Localização da instalação .....	158	6. Trabalho de electricidade .....	168
3. Instalação da unidade exterior .....	161	7. Ensaio .....	177
4. Instalação da tubagem do refrigerante .....	161		

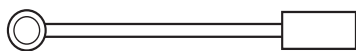
## ⚠ Cuidado:

- Não libertar o R410A para a atmosfera.

## Confirmação das peças fornecidas

Para além deste manual, é fornecido juntamente com a unidade exterior o acessório a seguir indicado.

O acessório é utilizado para ligar à terra o terminal S do bloco de terminais de transmissão TB7. Para mais informações, consulte "6. Trabalho de electricidade".



Fio de ligação à terra

## 1. Precauções de Segurança

- ▶ Antes de instalar a unidade, leia atentamente as "Precauções de Segurança".
- ▶ Reporte-se ou peça autorização à autoridade responsável pelo fornecimento antes de proceder à ligação do sistema.
- ▶ Série PUMY-P-VKM em conformidade com a norma IEC/EN 61000-3-12
- ▶ A série PUMY-P-VKM e a série PUMY-P-YKME foram concebidas para utilização em residências, bem como em ambientes comerciais e semi-industriais.
- ▶ A série PUMY-P-YKM foi concebida como equipamento profissional.
- ▶ Quando ligar uma unidade interior ATW (série EHST20C e EHSC) com um modelo trifásico, utilize a PUMY-P-YKME4.

### ⚠ Aviso:

Descreve as precauções a observar para evitar riscos de ferimentos ou morte ao utilizador.

### ⚠ Cuidado:

Descreve os cuidados a ter para não danificar a unidade.

### ⚠ Aviso:

- A unidade não deve ser instalada pelo utilizador. Peça a um concessionário ou electricista qualificado que a instale. Se a unidade não for instalada correctamente, podem ocorrer fugas de água, choques eléctricos ou incêndios.
- Este aparelho destina-se a ser utilizado por utilizadores experientes ou formados em fábricas, indústrias ligeiras ou explorações, ou para uso comercial por leigos.
- Para proceder à instalação, siga as instruções do Manual de Instruções e utilize ferramentas e componentes da tubagem especificamente concebidos para utilização com o refrigerante R410A. O refrigerante R410A no sistema HFC é comprimido 1,6 vezes mais do que a pressão dos refrigerantes comuns. Se forem utilizados componentes da tubagem que não tenham sido concebidos especificamente para o refrigerante R410A ou se a unidade não tiver sido instalada correctamente, a tubagem pode rebentar e provocar danos ou ferimentos. Para além disso, podem ainda ocorrer fugas de água, choques eléctricos ou incêndios.
- A unidade deve ser instalada de acordo com as instruções, para minimizar o risco de danos sofridos devido a tremores de terra ou ventos fortes. Uma unidade instalada incorrectamente pode cair e provocar danos ou ferimentos.
- A unidade deve ser instalada com segurança numa estrutura que suporte o seu peso. Se a unidade for montada numa estrutura instável, poderá cair e provocar danos ou ferimentos.
- Se o aparelho de ar condicionado for instalado num compartimento pequeno, deverão ser tiradas medidas por forma a evitar que a concentração do refrigerante exceda o limite de segurança, mesmo que ocorram fugas de refrigerante. Consulte um concessionário relativamente às medidas a adoptar no sentido de evitar que a concentração permitida seja excedida. Em caso de fuga de refrigerante e de ultrapassagem do limite de concentração, poderá haver potenciais perigos devido à falta de oxigénio no compartimento.
- Ventile o compartimento em caso de fuga de refrigerante durante o funcionamento. Se o refrigerante entrar em contacto com fogo, serão libertados gases tóxicos.
- Todos os trabalhos de electricidade devem ser levados a cabo por um electricista qualificado e em conformidade com a regulamentação local e as instruções fornecidas neste manual. As unidades devem ser alimentadas através de cabos de alimentação dedicados e deve utilizar-se a voltagem correcta e os disjuntores adequados. Caso sejam usados cabos de alimentação com capacidade insuficiente ou haja trabalhos de electricidade mal efectuados, tal poderá originar choques eléctricos ou incêndios.
- Utilize fósforo de cobre C1220, para tubagens de cobre ou de liga de cobre sem juntas, para ligar a tubagem do refrigerante. Se a tubagem não for ligada correctamente, a unidade não será devidamente ligada à terra, o que poderá provocar choques eléctricos.

Após ter concluído a instalação, explique as "Precauções de Segurança", a utilização e a manutenção da unidade ao cliente, de acordo com as informações do Manual de Funcionamento, e efectue um ensaio para verificar se a unidade está a funcionar correctamente. O Manual de Instalação e o Manual de Funcionamento devem ser fornecidos ao utilizador, para que este os guarde. Os referidos manuais deverão ser fornecidos a utilizadores futuros.

⚡ : Indica uma peça a ligar à terra.

### ⚠ Aviso:

Leia atentamente os rótulos afixados na unidade principal.

- Utilize apenas os cabos eléctricos indicados. As ligações devem ser efectuadas de modo seguro e sem tensão nos terminais. Do mesmo modo, nunca uma os cabos para ligação (salvo especificado em contrário neste documento). A inobservância destas instruções pode resultar num sobreaquecimento ou num incêndio.
- O painel da tampa do bloco terminal da unidade externa deve estar bem fixo. Se o painel da tampa for montado incorrectamente e entrar poeira e humidade na unidade, podem ocorrer choques eléctricos ou incêndio.
- Ao instalar ou mudar o aparelho de ar condicionado de sítio, utilize apenas o refrigerante especificado (R410A) para carregar as linhas de refrigerante. Não o misture com qualquer outro refrigerante e assegure-se de que não fica ar nas linhas. Se o ar for misturado com o refrigerante, tal pode causar uma pressão alta anómala na linha do refrigerante, o que pode resultar numa explosão e outros perigos. O uso de qualquer refrigerante diferente do especificado para o sistema causará uma falha mecânica ou avaria do sistema ou falta da unidade. No pior dos casos, isto pode comprometer seriamente a segurança do produto.
- Utilize só acessórios autorizados pela Mitsubishi Electric e peça ao seu distribuidor ou a uma empresa autorizada que os instale. Se os acessórios não forem correctamente instalados, podem ocorrer fugas de água, choques eléctricos ou incêndios.
- Não modifique a unidade. Consulte um distribuidor caso seja necessário proceder a reparações. Se as modificações ou reparações não forem devidamente efectuadas, podem ocorrer fugas de água, choques eléctricos ou incêndios.
- O utilizador nunca deve tentar reparar a unidade ou transferi-la para outro local. Se a unidade for instalada incorrectamente, podem ocorrer fugas de água, choques eléctricos ou incêndios. Se o aparelho de ar condicionado tiver que ser reparado ou transferido para outro local, peça a um distribuidor ou electricista qualificado que efectue essa tarefa.
- Depois de a instalação estar concluída, verifique se não existem fugas de refrigerante. Se ocorrer uma fuga de refrigerante no compartimento e entrar em contacto com uma chama proveniente de outro dispositivo, serão libertados gases tóxicos.
- O aparelho deverá ser instalado de acordo com os regulamentos nacionais de instalações eléctricas.
- Se o cabo de alimentação estiver danificado, tem de ser substituído pelo fabricante, agente de assistência ou pessoas de qualificação semelhante para evitar situações perigosas.

# 1. Precauções de Segurança

## 1.1. Antes da instalação

### ⚠ Cuidado:

- Não utilize a unidade num ambiente invulgar. Se o aparelho de ar condicionado for instalado em áreas expostas a vapor, óleo volátil (incluindo óleo de máquinas) ou a gás sulfúrico, áreas expostas a uma grande concentração de sal, tal como à beira-mar, ou áreas onde a unidade possa ser coberta por neve, o rendimento poderá ser significativamente reduzido e as peças internas podem ser danificadas.
- Não instale a unidade onde possam ocorrer fugas, produção, fluxo ou acumulação de gases combustíveis. Em caso de acumulação de gás combustível em torno da unidade, podem ocorrer incêndios ou explosões.
- A unidade exterior produz condensação durante a operação de aquecimento. Assegure-se de que existe drenagem suficiente em torno da unidade exterior caso a referida condensação possa causar danos.
- Ao instalar a unidade num hospital ou gabinete de comunicações, não estranhe se se verificar ruído e interferência eléctrica. Inversores, electrodomésticos, equipamento médico de alta frequência e equipamento de comunicação por rádio podem provocar mau funcionamento ou avaria do aparelho de ar condicionado. O ar condicionado também pode afectar equipamento médico, perturbando a prestação dos serviços médicos, e equipamento de comunicações, comprometendo a qualidade da imagem de ecrãs.

## 1.2. Antes da instalação (transferência)

### ⚠ Cuidado:

- Tenha muito cuidado ao transportar as unidades. São precisas duas ou mais pessoas para transportar a unidade, uma vez que esta pesa 20 kg ou mais. Não agarre nas bandas da embalagem. Use luvas de protecção para retirar a unidade da embalagem e para a transportar, pois pode ferir as mãos nas palhetas e noutras peças.
- Assegure-se de que elimina com segurança os materiais de embalagem. Materiais de embalagem tais como pregos e outras peças em metal ou madeira podem provocar cortes ou outros ferimentos.
- A base e os acessórios da unidade exterior devem ser verificados periodicamente, a fim de detectar possíveis folgas, fendas ou outros danos. Se tais danos não forem corrigidos, a unidade poderá cair e provocar acidentes ou ferimentos.
- Não limpe o aparelho de ar condicionado com água. Poderá provocar choques eléctricos.
- Aperte bem todas as porcas afuniladas, utilizando uma chave dinamómetro. Se as porcas forem demasiadamente apertadas, podem quebrar passado algum tempo e originar uma fuga de refrigerante.

## 1.3. Antes do trabalho de electricidade

### ⚠ Cuidado:

- Assegure-se de que instala disjuntores. Se não forem instalados disjuntores, podem ocorrer choques eléctricos.
- Para as linhas de alta tensão, utilize cabos normalizados de capacidade suficiente. De outro modo, poderá ocorrer um curto-circuito, sobreaquecimento ou incêndio.
- Ao instalar as linhas de alimentação, não aplique tensão nos cabos. Se existir mau contacto nas ligações, os cabos podem rebentar ou partir, originando sobreaquecimento ou incêndio.
- Assegure-se de que liga a unidade à terra. Não ligue o fio terra a canos de gás ou de água, pára-raios ou linhas telefónicas de ligação à terra. Se a unidade não for devidamente ligada à terra, poderão ocorrer choques eléctricos.
- Utilize disjuntores (interruptor de falha de ligação à terra, interruptor de isolamento (fusível +B) e disjuntor com protecção moldada) com a capacidade especificada. Se a capacidade do disjuntor for superior à capacidade especificada, podem ocorrer avarias ou incêndios.

## 1.4. Antes de iniciar o ensaio

### ⚠ Cuidado:

- Ligue o interruptor principal de corrente mais de doze horas antes de dar início ao funcionamento. Se o funcionamento tiver início imediatamente depois de ligar o interruptor principal, tal poderá danificar seriamente as peças internas. Mantenha o interruptor ligado durante a estação operacional.
- Antes de o funcionamento ter início, verifique se todos os painéis e outras peças de protecção foram correctamente instalados. Peças rotativas, quentes ou de alta tensão podem causar ferimentos.
- Não toque em nenhum interruptor com as mãos molhadas. Poderá provocar choques eléctricos.
- Quando o aparelho de ar condicionado estiver a funcionar, não toque nos tubos do refrigerante sem qualquer protecção nas mãos. Os tubos do refrigerante podem estar quentes ou frios, dependendo do estado do refrigerante em circulação. Se tocar nos tubos, poderá sofrer queimaduras.
- Após interromper o funcionamento, espere pelo menos cinco minutos antes de desligar o interruptor principal. De outro modo, poderá originar fugas de água ou avarias.

## 1.5. Utilização de aparelhos de ar condicionado refrigerantes R410A

### ⚠ Cuidado:

- Utilize fósforo de cobre C1220, para tubagens de cobre ou de liga de cobre sem juntas, para ligar a tubagem do refrigerante. Certifique-se de que o interior da tubagem está limpo e não contém substâncias tóxicas, tais como compostos de enxofre, oxidantes, sujidade ou poeira. Utilize tubos com a espessura indicada. (Consulte a página 139) Considere as indicações que se seguem se reutilizar tubos que transportavam refrigerante R22.
- Utilize as ferramentas que se seguem, especificamente concebidas para serem utilizadas com o refrigerante R410A. As ferramentas que se seguem são necessárias para a utilização do refrigerante R410A. Contacte o seu distribuidor caso tenha alguma questão a colocar.

- Substitua as porcas afuniladas existentes e afunile as secções apertadas novamente.
- Não utilize tubos finos. (Consulte a página 139)
- Mantenha os tubos a utilizar na instalação protegidos e ambas as extremidades tapadas até ao momento de serem soldadas. (Deixe as juntas curvas, etc., na embalagem.) Se entrar poeira, sujidade ou humidade nas linhas do refrigerante, poderá ocorrer deterioração do óleo ou avaria do compressor.
- Utilize óleo de éster, de éter ou de alquilbenzeno (pequenas quantidades) como óleo de refrigeração para revestir as secções afuniladas. Se se misturar óleo mineral com o óleo de refrigeração, pode ocorrer uma deterioração do óleo.
- Utilize unicamente refrigerante R410A. Se utilizar outro refrigerante, o cloro provocará a deterioração do óleo.

Ferramentas (para R410A)	
Colector do manómetro	Instrumento de afunilamento
Tubo flexível de carga	Manómetro de ajuste de tamanho
Detector de fugas de gás	Adaptador da bomba de vácuo
Chave dinamómetro	Escala electrónica de abastecimento de refrigerante

- Assegure-se de que utiliza as ferramentas correctas. Se entrar poeira, sujidade ou humidade nas linhas do refrigerante, poderá ocorrer deterioração do óleo de refrigeração.
- Não utilize uma botija de abastecimento. Se utilizar uma botija de abastecimento, a composição do refrigerante será alterada e o grau de eficiência será inferior.

## 2. Localização da instalação

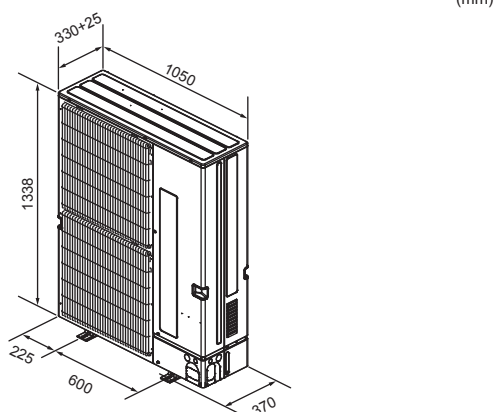


Fig. 2-1

Tabela 2 Quantidade de unidades interiores que é possível ligar

• Unidades interiores City Multi

P112	1-9 *1
P125	1-10 *2
P140	1-12 *3

\*1 Quando ligar unidades interiores da série M através do kit de ligação, é possível ligar 10 unidades interiores.

\*2 Quando ligar unidades interiores da série M através do kit de ligação, é possível ligar 12 unidades interiores.

\*3 Quando todas as unidades interiores forem do modelo P15, é possível ligar 12 unidades interiores.

• Sistema de caixa de derivação (unidades interiores da série M, S, P através da caixa de derivação)

P112	2-8
P125	2-8
P140	2-8

• Sistema misto (unidades interiores City Multi e unidades interiores da série M, S, P através da caixa de derivação)

	Uma caixa de derivação		Duas caixas de derivação	
	Através da caixa de derivação	Unidade interior City Multi	Através da caixa de derivação	Unidade interior City Multi
P112	Máx. 5	Máx. 5*1	Máx. 7 Máx. 8	Máx. 3*1 Máx. 2*1
P125	Máx. 5	Máx. 5*1	Máx. 8	Máx. 3*1
P140	Máx. 5	Máx. 5*1	Máx. 8	Máx. 3*1

\*1 As unidades interiores do tipo PKFY-P-VBM, PFFY-P-VKM e PFFY-P-VL\* não podem ser utilizadas num sistema misto.

Tabela 3 Especificações da unidade PWFY

Modelo	PWFY-P100VM-E-AU	
Intervalo de temp. de aquecimento	Temp. exterior	-15 a 21 °C (Bolbo seco), -15 a 15 °C (Bolbo húmido)
	Temp. da água de entrada	10 a 45 °C
Intervalo de temp. de arrefecimento	Temp. exterior	-
	Temp. da água de entrada	-

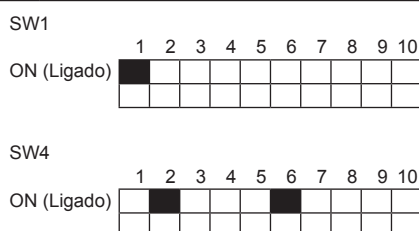


Fig. 2-2

### 2.1. Tubo de refrigerante

Consulte a Fig. 4-1.

### 2.2. Selecção do local de instalação da unidade exterior

- Evite locais sujeitos a luz solar directa ou outras fontes de calor.
- Seleccione um local onde o ruído produzido pela unidade não incomode os vizinhos.
- Seleccione um local que permita um acesso fácil dos cabos e tubos à fonte de alimentação e unidade interior.
- Evite locais onde possam ocorrer fugas, produção, fluxo ou acumulação de gases combustíveis.
- Lembre-se que poderá ocorrer gotejamento de água durante o funcionamento.
- Seleccione um local capaz de sustentar o peso e a vibração da unidade.
- Evite locais onde a unidade possa ser coberta por neve. Em áreas em que costume nevar muito, devem tomar-se precauções especiais, tais como elevar o local de instalação ou instalar uma tampa no orifício de admissão de ar, no sentido de evitar que a neve impeça a admissão de ar ou caia directamente sobre o orifício de admissão de ar. Este facto poderá reduzir o fluxo de ar, causando uma avaria.
- Evite locais expostos a óleo, vapor ou gás sulfúrico.
- Utilize as pegas de transporte da unidade exterior para transportar a unidade. Se a unidade for transportada pegando por baixo, as mãos ou os dedos poderão ser trilhados.

### 2.3. Dimensões globais (Unidade exterior) (Fig. 2-1)

#### Limitações à instalação das unidades interiores

Deve ter em atenção que as unidades interiores que é possível ligar a esta unidade exterior são dos modelos que se seguem.

• Pode ligar unidades interiores com os números de modelo 15-140.

Quando utilizar uma caixa de derivação, é possível ligar unidades interiores com os números de modelo 15-100. Consulte a tabela 1 abaixo para obter as combinações possíveis de unidades interiores em divisões.

#### Verificação

Observe a tabela abaixo para determinar a capacidade nominal. A quantidade de unidades é limitada conforme indicado na tabela 2 abaixo. Para o passo seguinte, assegure-se de que a capacidade nominal total seleccionada se mantém entre 50% - 130% da capacidade da unidade exterior.

- PUMY-P112 6,3 - 16,2 kW
- PUMY-P125 7,1 - 18,2 kW
- PUMY-P140 8,0 - 20,2 kW

Tabela 1-1 Unidades interiores City Multi (série P-FY)

Tipo de unidade interior	P15*	P20	P25	P32	P40	P50	P63	P71	P80	P100	P125	P140
Capacidade nominal (refrigeração) (kW)	1,7	2,2	2,8	3,6	4,5	5,6	7,1	8,0	9,0	11,2	14,0	16,0

Tabela 1-2 (série M, série P, série S)

Tipo de unidade interior	15	20	22	25	35	42	50	60	71	80	100
Capacidade nominal (refrigeração) (kW)	1,5	2,0	2,2	2,5	3,5	4,2	5,0	6,0	7,1	8,0	10,0

As combinações em que a capacidade total das unidades interiores exceda a capacidade da unidade exterior reduzirão a capacidade de refrigeração de cada unidade interior para um valor inferior ao da respectiva capacidade nominal de refrigeração. Assim sendo, se possível, a combinação das unidades interiores não deve ultrapassar a capacidade da unidade exterior.

\* Quando todas as unidades interiores são do modelo de P15, é possível ligar 12 unidades interiores a 1 unidade exterior.

### 2.4. Ligar uma Unidade PWFY

Quando utilizar uma unidade PWFY como uma unidade interior, tenha em atenção os seguintes pontos, pois a unidade PWFY difere das outras unidades interiores.

Não é possível ligar uma unidade PWFY na UE.

#### 2.4.1. Restrições de ligação

• Só é possível ligar 1 unidade PWFY-P100VM-E-AU. Não é possível ligar as unidades PWFY-P200VM-E-AU e PWFY-P100VM-E-BU.

• A unidade PWFY não pode ser a única unidade ligada a uma unidade exterior. Seleccione uma unidade exterior de forma a que a capacidade nominal total das unidades interiores, excluindo a unidade PWFY, corresponda a 50 - 100% da capacidade da unidade exterior.

Limites da capacidade nominal total das unidades interiores quando se liga uma unidade PWFY

- PUMY-P112 (1 unidade PWFY + unidades não PWFY [6,3 - 12,5 kW])
- PUMY-P125 (1 unidade PWFY + unidades não PWFY [7,1 - 14,0 kW])
- PUMY-P140 (1 unidade PWFY + unidades não PWFY [8,0 - 15,5 kW])

#### 2.4.2. Especificações da unidade interior

Quando liga uma unidade PWFY a uma unidade PUMY, as seguintes especificações mudam.

- A unidade PWFY só pode funcionar no modo de aquecimento. A unidade PWFY não pode funcionar no modo de arrefecimento. No entanto, as outras unidades interiores, que não a unidade PWFY, podem funcionar no modo de arrefecimento.
- As outras unidades interiores não podem funcionar ao mesmo tempo que a unidade PWFY.
- O funcionamento da unidade PWFY tem prioridade. Quando a unidade PWFY está no modo de funcionamento, as outras unidades interiores param.
- A definição de temperatura do controlador remoto é o valor alvo para a temperatura da água de saída.

#### 2.4.3. Definição de interruptor (Fig. 2-2)

Quando liga uma unidade PWFY a uma unidade PUMY, configure os interruptores DIP SW1-1, SW4-2 e SW4-6 da unidade PWFY para ON (Ligado).

#### 2.4.4. Ensaio

Se o teste for realizado com os interruptores da unidade exterior, a unidade PWFY não funcionará. Realize o teste com os interruptores da unidade PWFY ou com o controlo remoto.

Para obter informações sobre como realizar o teste de funcionamento, consulte o livro de dados ou o manual de assistência técnica da unidade PWFY.

#### 2.4.5. Recuperação de refrigerante (bombagem)

O passo ① do procedimento de bombagem solicita ao utilizador que "coloque todas as unidades interiores a funcionar no modo de arrefecimento". No entanto, a unidade PWFY não vai funcionar no modo de arrefecimento.

Coloque todas as unidades interiores a funcionar no modo de arrefecimento, excepto a unidade PWFY.

## 2. Localização da instalação

### 2.5. Ligar um cilindro (EHST20C) ou uma unidade Hydrobox (EHSC)

Quando ligar um cilindro ou uma unidade Hydrobox, tenha em atenção os seguintes pontos, pois o cilindro e a unidade Hydrobox diferem das outras unidades interiores.

#### 2.5.1. Restrições de ligação

- Só é possível ligar 1 cilindro (EHST20C) ou 1 unidade Hydrobox (EHSC).
- (A série EHST20C-MEC, EHST20D, a série EHPT20X, a série EHSD, a série EHSC-MEC, ERSD, a série ERSC e a série EHPX não podem ser ligadas.)
- Quando ligar sistemas Ecodan, utilize uma caixa de derivação PAC-MK32/52BC(B). (Não é possível utilizar uma caixa de derivação PAC-MK31/51BC(B).)
- As unidades PWFY não podem ser ligadas ao mesmo tempo que um cilindro ou uma unidade Hydrobox.
- As unidades interiores ATA\*1 com uma capacidade nominal total de 50% – 130% da capacidade da unidade exterior e 1 cilindro ou 1 unidade Hydrobox podem ser ligados.

\*1 Unidade interior ATA: Unidade interior sem PWFY, unidade do cilindro e unidade Hydrobox.

PUMY-P112 1 cilindro ou 1 Hydrobox + unidades interiores ATA [máx. 16,2 (1,3\*2) kW]

PUMY-P125 1 cilindro ou 1 Hydrobox + unidades interiores ATA [máx. 18,2 (2,8\*2) kW]

PUMY-P140 1 cilindro ou 1 Hydrobox + unidades interiores ATA [máx. 20,2 (4,3\*2) kW]

\*2 Em caso de funcionamento do cilindro ou da unidade Hydrobox no modo de aquecimento/modo DHW e de funcionamento das unidades interiores ATA em simultâneo.

No entanto, é possível realizar as combinações indicadas em seguida.

- PUMY-P112: MSZ-SF15VE x 1
- PUMY-P125: MSZ-SF15VE x 2
- PUMY-P140: MSZ-SF15VE x 3

#### 2.5.2. Especificações da unidade interior

Quando liga um cilindro ou uma unidade Hydrobox, as seguintes especificações mudam.

- O cilindro ou a unidade Hydrobox não pode funcionar no modo de arrefecimento.
  - O modo de funcionamento do cilindro ou da unidade Hydrobox tem sempre prioridade.
  - Não é possível utilizar o modo de funcionamento económico DHW.
  - A temperatura máxima do fluxo é de 55 °C. (O Dip SW1-2 do Cilindro ou da unidade Hydrobox tem de ser colocado em OFF (Desligado).)
  - A monitorização da energia pode ser realizada apenas quando estiver ligado um medidor de energia externo.
  - Não é possível controlar várias unidades exteriores.
  - Não é possível ligar um Cilindro ou uma unidade Hydrobox a um controlo remoto M-NET e a um controlo centralizado.
  - O bloqueio da caldeira pode ser utilizado apenas quando mudar para a temperatura do ar exterior.
  - Não é possível agrupar um cilindro ou uma unidade Hydrobox com uma unidade interior ATA.
  - Em caso de funcionamento do cilindro ou da unidade Hydrobox no **Modo de aquecimento** e de funcionamento das unidades interiores ATA em simultâneo, tenha em atenção os pontos que se seguem.
    - O intervalo de temperatura do fluxo de aquecimento da unidade do cilindro ou Hydrobox é de 45 °C - 55 °C.
    - Defina o intervalo de temperatura do fluxo de acordo com o indicado no Manual de Instalação do cilindro ou da unidade Hydrobox.
    - A temperatura exterior tem de ser -10 °C ou superior. Quando a temperatura exterior for inferior a 7 °C, a temperatura do fluxo e a temperatura do ar libertado baixam.
  - Para o funcionamento do cilindro ou da unidade Hydrobox no **modo DHW** e funcionamento das unidades interiores ATA em simultâneo, a temperatura exterior tem de ser 7 °C ou superior.
- Quando a temperatura exterior for inferior a 7 °C, as unidades não podem funcionar ao mesmo tempo.

#### 2.5.3. Definições do interruptor

Quando liga um Cilindro ou uma unidade Hydrobox a uma unidade PUMY, configure o interruptor DIP SW1-2 do Cilindro ou da unidade Hydrobox para OFF (Desligado).

#### 2.5.4. Teste de funcionamento

Realize o teste de funcionamento do cilindro ou da unidade Hydrobox a partir da unidade interior.

(Para obter mais informações sobre o teste de funcionamento, consulte o manual de instalação do cilindro ou da unidade Hydrobox.)

#### 2.5.5. Recuperação de refrigerante (bombagem)

Efectue os procedimentos indicados em 7.3.

### 2.6. Ligar uma unidade interior apenas de arrefecimento

Se um sistema incluir uma ou mais unidades interiores apenas de arrefecimento, defina todo o sistema como um sistema de arrefecimento.

Defina as unidades conforme indicado na tabela 4.

Tabela 4 Procedimento de definição apenas de arrefecimento

Unidade		Definição
Unidade exterior	PUMY-P-V/YKM(E)4	Interruptor DIP SW2-6 na placa de circuitos de controlo múltiplo: ON
Caixa de derivação	PAC-MK-BC(B)	Interruptor DIP SW4-5 na placa de circuitos de controlo da caixa de derivação: ON
Unidade interior	Série CITY MULTI	Interruptor DIP SW3-1 na placa de circuitos de controlo da unidade interior: ON
	Série M, S, P	Não é necessário efectuar definição.

### 2.7. Ligação de uma unidade PEFY-P-VMA3-E

Quando utilizar uma PEFY-P-VMA3-E, utilize as combinações seguintes para as unidades interiores ligadas.

	PUMY-P112	PUMY-P125	PUMY-P140
OK	PEFY-P25VMA3-E x 2 + PEFY-P32VMA3-E x 2	PEFY-P32VMA3-E x 4	PEFY-P32VMA3-E x 3 + PEFY-P40VMA3-E x 1
NÃO	Todas as combinações, excepto as combinações acima Ex. 1: PEFY-P25VMA3-E x 2 + PEFY-P32VMA3-E x 2 Ex.:2: PEFY-P25VMA3-E x 2 + PEFY-P32VMA3-E x 1 Ex. 3: PEFY-P32VMA3-E x 4 (Uma combinação para uma PUMY-P125) Ex. 4: PEFY-P25VMA3-E x 2 + PEFY-P32VMA3-E x 2 + MSZ-FH25VE x 1	Todas as combinações, excepto as combinações acima Ex. 1: PEFY-P32VMA3-E x 3 + PEFY-P32VMA3-E x 1 Ex. 2: PEFY-P32VMA3-E x 3 Ex. 3: PEFY-P25VMA3-E x 2 + PEFY-P32VMA3-E x 2 (Uma combinação para uma PUMY-P112) Ex. 4: PEFY-P32VMA3-E x 3 + PLFY-P20VFM-E x 1 + SEZ-KD25VA x 1	Todas as combinações, excepto as combinações acima Ex. 1: PEFY-P32VMA3-E x 3 + PEFY-P40VMA3-E x 1 Ex. 2: PEFY-P32VMA3-E x 2 + PEFY-P40VMA3-E x 1 Ex. 3: PEFY-P32VMA3-E x 4 (Uma combinação para uma PUMY-P125) Ex. 4: PEFY-P32VMA3-E x 3 + PCFY-P40VKM-E x 1 + MSZ-SF15VA x 1

- Ex. 1: Está seleccionada uma unidade oculta no tecto que não é da série VMA3. Não é possível realizar combinações entre unidades que não sejam da mesma série oculta no tecto.  
Ex. 2: O número de unidades está incorrecto.  
Ex. 3: A combinação destina-se a uma unidade com uma capacidade diferente.  
Ex. 4: A combinação não está correcta.

### 2.8. Ligação de uma unidade PLFY-EP-VEM-E

Para o PLFY-EP-VEM-E, é possível ligar até 2 unidades.

É possível ligar outras unidades interiores\*1 desde que não excedam a capacidade nominal total e o número máximo de unidades ligadas.

\*1 Excepto o PEFY-P-VMA3-E e o PEFY-P-VMH-EF.

## 2. Localização da instalação

### 2.9. Ventilação e espaço de manutenção

#### 2.9.1. Quando instalar uma só unidade exterior

As dimensões mínimas são as seguintes, excepto para máx. (dimensões máximas), as quais também estão indicadas. Para cada caso consulte as figuras.

- ① Obstáculos apenas na parte de trás (Fig. 2-3)
- ② Obstáculos apenas na parte de trás e por cima (Fig. 2-4)
  - \* Não utilize as guias de saída opcionais para o fluxo de ar ascendente.
- ③ Obstáculos apenas na parte de trás e nos lados (Fig. 2-5)
- ④ Obstáculos apenas na parte da frente (Fig. 2-6)
  - \* Quando se utiliza uma guia de saída de ar opcional, a folga deve ser de 500 mm ou mais.
- ⑤ Obstáculos apenas na parte da frente e de trás (Fig. 2-7)
  - \* Quando se utiliza uma guia de saída de ar opcional, a folga deve ser de 500 mm ou mais.
- ⑥ Obstáculos apenas na parte de trás, nos lados e por cima (Fig. 2-8)
  - \* Não utilize as guias de saída opcionais para o fluxo de ar ascendente.

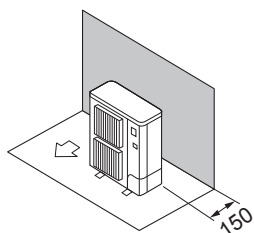


Fig. 2-3

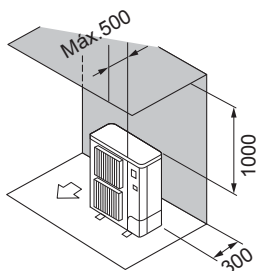


Fig. 2-4

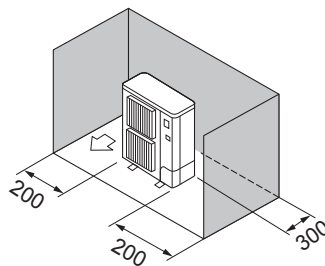


Fig. 2-5

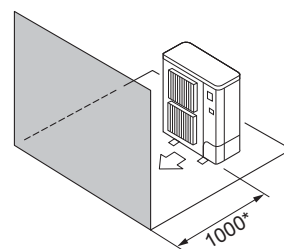


Fig. 2-6

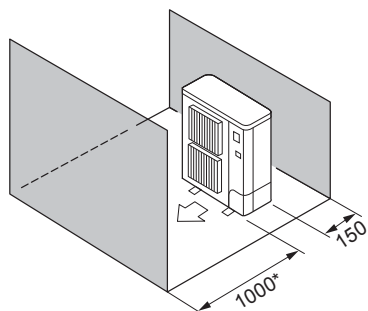


Fig. 2-7

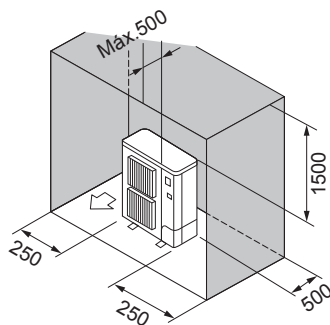


Fig. 2-8

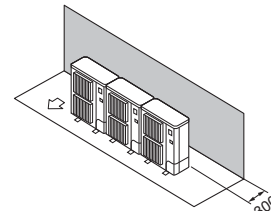


Fig. 2-9

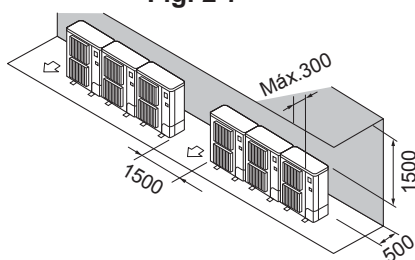


Fig. 2-10

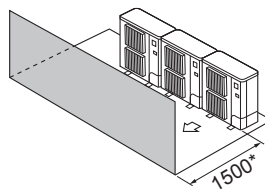


Fig. 2-11

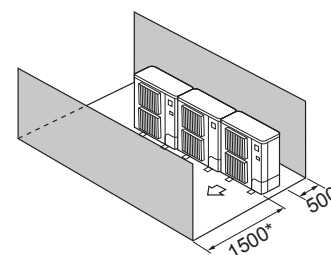


Fig. 2-12

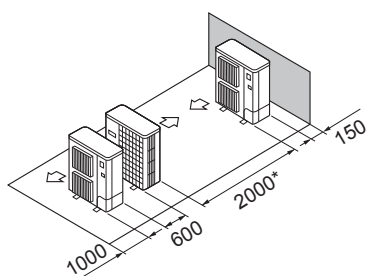


Fig. 2-13

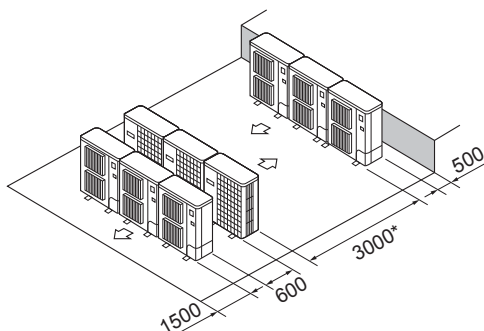


Fig. 2-14

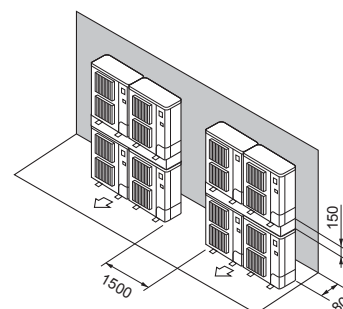


Fig. 2-15

#### 2.9.2. Quando instalar várias unidades exteriores

Deixe uma distância de 25 mm ou mais entre as unidades.

- ① Obstáculos apenas na parte de trás (Fig. 2-9)
- ② Obstáculos apenas na parte de trás e por cima (Fig. 2-10)
  - \* Não devem ser instaladas mais de três unidades lado a lado. Para além disso, deve deixar distância entre elas, tal como se demonstra.
  - \* Não utilize as guias de saída opcionais para o fluxo de ar ascendente.
- ③ Obstáculos apenas na parte da frente (Fig. 2-11)
  - \* Quando se utiliza uma guia de saída de ar opcional, a folga deve ser de 1000 mm ou mais.
- ④ Obstáculos apenas na parte da frente e de trás (Fig. 2-12)
  - \* Quando se utiliza uma guia de saída de ar opcional, a folga deve ser de 1000 mm ou mais.
- ⑤ Disposição de uma unidade em paralelo (Fig. 2-13)
  - \* Quando se utiliza uma guia de saída de ar opcional instalada para fluxo de ar ascendente, a folga é de 1000 mm ou mais.
- ⑥ Disposição de várias unidades em paralelo (Fig. 2-14)
  - \* Quando se utiliza uma guia de saída de ar opcional instalada para fluxo de ar ascendente, a folga é de 1500 mm ou mais.
- ⑦ Disposição de unidades sobrepostas (Fig. 2-15)
  - \* Podem ser sobrepostas até duas unidades.
  - \* Não devem ser instaladas mais de duas unidades sobrepostas lado a lado. Para além disso, deve deixar distância entre elas, tal como se demonstra.



## 2. Localização da instalação

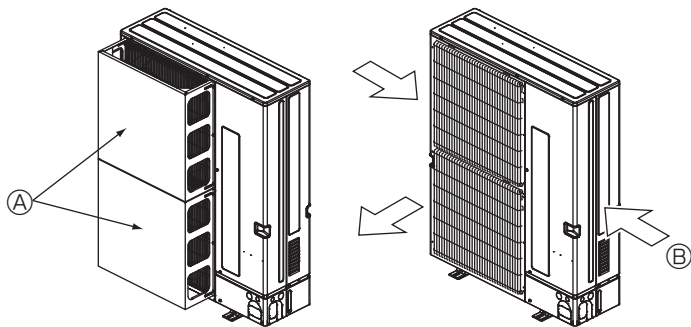


Fig. 2-16

Fig. 2-17

### 2.9.3. Instalação em locais sujeitos a ventos

Ao instalar a unidade exterior num telhado ou nouro local desprotegido do vento, situe a saída de ar da unidade de modo a que não esteja exposta directamente a ventos fortes. A entrada de vento na saída de ar poderá impedir o normal fluxo de ar e provocar avarias.

Apresentam-se abaixo 2 exemplos de precauções que se podem tomar contra os ventos fortes.

- ① Instale uma guia de ar opcional se a unidade estiver instalada num local sujeito a fortes ventos, como no caso de tufões, por exemplo, que possam entrar directamente na saída de ar. (Fig. 2-16)
  - Ⓐ Guia de ar
- ② Posicione a unidade de forma a que o ar seja libertado perpendicularmente à direcção do vento, se possível. (Fig. 2-17)
  - Ⓑ Direcção do vento

## 3. Instalação da unidade exterior

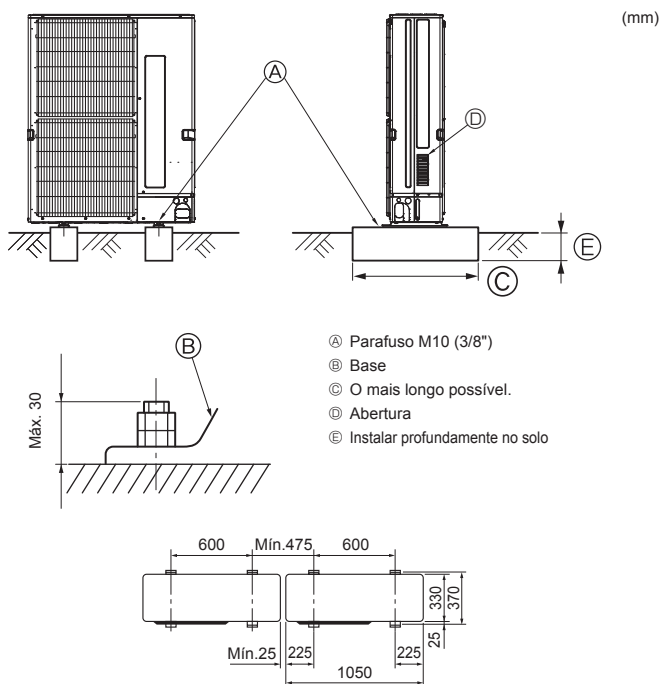


Fig. 3-1

• Certifique-se de instalar a unidade numa superfície firme e nivelada para evitar estrépidos durante a operação. (Fig. 3-1)

<Especificações de fundação>

Parafuso da fundação	M10 (3/8")
Espessura do betão	120 mm
Comprimento do parafuso	70 mm
Capacidade de carga	320 kg

- Certifique-se de que o comprimento do parafuso da fundação esteja dentro de 30 mm da superfície inferior da base.
- Fixe a base da unidade firmemente com quatro parafusos de fundação M10 em locais resistentes.

### Instalação da unidade exterior

- Não tape a abertura. Se a abertura for tapada, o funcionamento será impedido, o que poderá provocar uma avaria.
- Para além da base da unidade, utilize os furos de instalação na parte posterior da unidade para prender fios, etc., se for necessário para instalar a unidade. Utilize parafusos roscados (ø5 × 15 mm ou menos) e instale no local.

### ⚠ Aviso:

- A unidade deve ser instalada com segurança numa estrutura que suporte o seu peso. Se a unidade for montada numa estrutura instável, poderá cair e provocar danos ou ferimentos.
- A unidade deve ser instalada de acordo com as instruções, para minimizar o risco de danos sofridos devido a tremores de terra ou ventos fortes. Uma unidade instalada incorrectamente pode cair e provocar danos ou ferimentos.

### ⚠ Cuidado:

- Instale a unidade numa estrutura rígida para evitar ruído ou vibração de funcionamento excessivos.

## 4. Instalação da tubagem do refrigerante

### 4.1. Precauções para dispositivos que utilizam o refrigerante R410A

- Consulte a página 135, que contém outras precauções relativamente à utilização de aparelhos de ar condicionado com o refrigerante R410A.
- Utilize óleo de éster, de éter ou de alquilbenzeno (pequenas quantidades) como óleo de refrigeração para revestir as secções afuniladas.
- Utilize fósforo de cobre C1220, para tubagens de cobre ou de liga de cobre sem juntas, para ligar a tubagem do refrigerante. Utilize tubos de refrigerante com a espessura especificada na tabela. Certifique-se de que o interior da tubagem está limpo e não contém substâncias tóxicas, tais como compostos de enxofre, oxidantes, sujidade ou poeira.

### ⚠ Aviso:

Ao instalar ou mudar o aparelho de ar condicionado de sítio, utilize apenas o refrigerante especificado (R410A) para carregar as linhas de refrigerante. Não o misture com qualquer outro refrigerante e assegure-se de que não fica ar nas linhas.

Se o ar for misturado com o refrigerante, tal pode causar uma pressão alta anómala na linha do refrigerante, o que pode resultar numa explosão e outros perigos.

O uso de qualquer refrigerante diferente do especificado para o sistema causará uma falha mecânica ou avaria do sistema ou falta da unidade. No pior dos casos, isto pode comprometer seriamente a segurança do produto.

ø6,35, ø9,52, ø12,7	Espessura 0,8 mm
ø15,88	Espessura 1,0 mm

- Não utilize tubos com uma espessura menor do que a indicada.
- As espessuras apresentadas na tabela anterior baseiam-se em normas do Japão. Utilize tubos com uma pressão máxima de funcionamento de 4,15 MPa [601 PSIG] ou superior, de acordo com as normas locais.

## 4. Instalação da tubagem do refrigerante

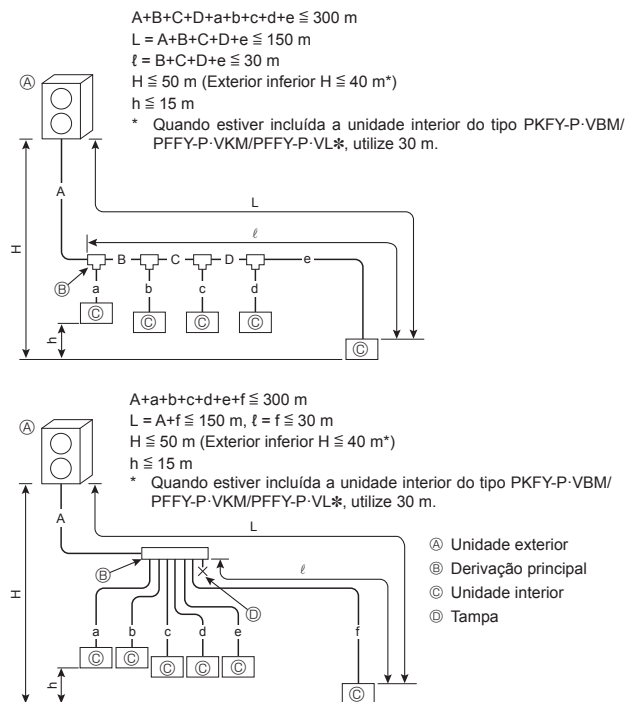


Fig. 4-1

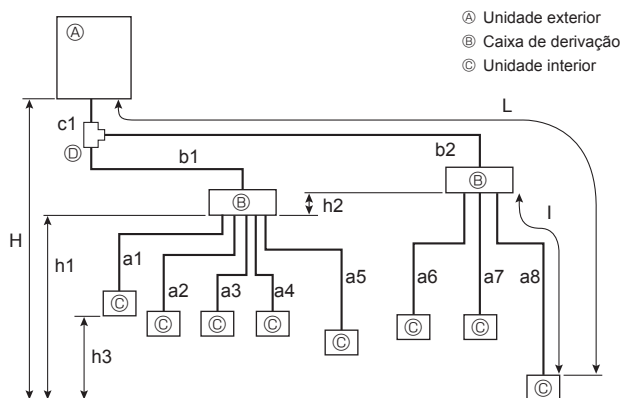


Fig. 4-2

Comprimento permitido (unidireccional)	Comprimento total da tubagem	$c1 + b1 + b2 + a1 + a2 + a3 + a4 + a5 + a6 + a7 + a8 \leq 150$ m
	Comprimento da tubagem mais longa (L)	$c1 + b2 + a8 \leq 80$ m
	Comprimento da tubagem entre a unidade exterior e as caixas de derivação	$c1 + b1 + b2 \leq 55$ m
	Caixa de derivação mais afastada da primeira união (b2)	$b2 \leq 30$ m
	Comprimento da tubagem mais longa após a caixa de derivação (l)	$a8 \leq 25$ m
	Comprimento total da tubagem entre as caixas de derivação e as unidades interiores	$a1 + a2 + a3 + a4 + a5 + a6 + a7 + a8 \leq 95$ m
Diferença de altura permitida (unidireccional)	Na secção interior/exterior (H)*1	$H \leq 50$ m (Caso a unidade exterior esteja a uma altura superior à da unidade interior.) $H \leq 40$ m (Caso a unidade exterior esteja a uma altura inferior à da unidade interior.)
	Na secção caixa de derivação/unidade interior (h1)	$h1 + h2 \leq 15$ m
	Em cada unidade de derivação (h2)	$h2 \leq 15$ m
	Em cada unidade interior (h3)	$h3 \leq 12$ m
Número de curvas	$ c1 + b1 + a1 ,  c1 + b1 + a2 ,  c1 + b1 + a3 ,  c1 + b1 + a4 ,  c1 + b1 + a5 ,  c1 + b2 + a6 ,  c1 + b2 + a7 ,  c1 + b2 + a8  \leq 15$	

\*1 A caixa de derivação deve ser colocada no nível entre a unidade exterior e as unidades interiores.

## 4.2. Comprimento do tubo e diferença de altura

### 4.2.1. Ligação sem caixa de derivação (Fig. 4-1)

A	(mm)	
	(A) Tubo de líquido	(B) Tubo de gás
PUMY-P112-140	$\varnothing 9,52$	$\varnothing 15,88$

B, C, D	(mm)	
(C) Capacidade total das unidades interiores	(A) Tubo de líquido	(B) Tubo de gás
	$\varnothing 9,52$	$\varnothing 15,88$

a, b, c, d, e, f	(mm)	
(D) Número do modelo	(A) Tubo de líquido	(B) Tubo de gás
15, 20, 25, 32, 40, 50	$\varnothing 6,35$	$\varnothing 12,7$
63, 80, 100, 125, 140	$\varnothing 9,52$	$\varnothing 15,88$

(E) Modelo do kit de derivação
CMY-Y62-G-E

(F) 4-Tubo de comunicação de derivação	(G) 8-Tubo de comunicação de derivação
CMY-Y64-G-E	CMY-Y68-G-E

\* Ao ligar o KIT DE LIGAÇÃO (PAC-LV11M-J) a uma unidade interior da série M, consulte o manual de instalação do KIT DE LIGAÇÃO para seleccionar a dimensão do tubo e o comprimento da tubagem.

### 4.2.2. Ligação com caixa de derivação (Fig. 4-2)

- Esta unidade tem ligações afuniladas junto a cada unidade interior e caixa de derivação e nos lados da unidade exterior.
- Remova a tampa da válvula da unidade exterior e ligue o tubo.
- Os tubos do refrigerante são utilizados para ligar a caixa de derivação e a unidade exterior.

## 4. Instalação da tubagem do refrigerante

### 4.2.3. Sistema misto (unidades interiores City Multi e unidades interiores da série M, S, P através da caixa de derivação) (Fig. 4-3)

#### 1. No caso de utilizar 1 caixa de derivação

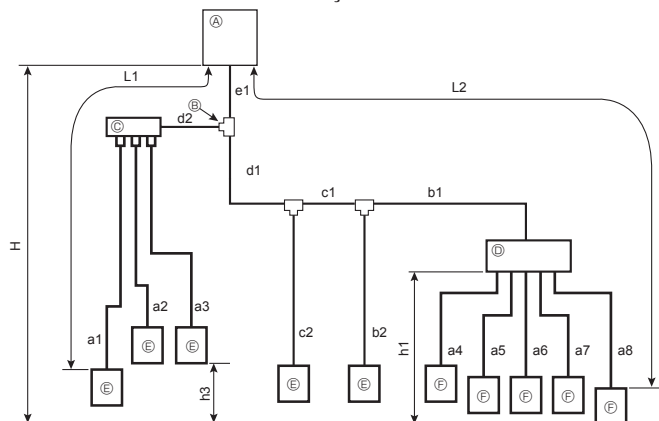


Fig. 4-3 (a)

- Ⓐ Unidade exterior
  - Ⓑ Primeira união
  - Ⓒ Tubo principal (CMY)
  - Ⓓ Caixa de derivação (PAC-MK-BC(B))
  - Ⓔ Unidade interior CityMulti\*
  - Ⓕ Unidade interior da série M, S, P unidade do cilindro ou unidade Hydrobox
- \* As unidades interiores do tipo PKFY-P-VBM, PFFY-P-VKM e PFFY-P-VL\* não podem ser utilizadas num sistema misto.

Comprimento admissível (unidireccional)	Comprimento total da tubagem	$e1 + d1 + d2 + c1 + c2 + b1 + b2 + a1 + a2 + a3 + a4 + a5 + a6 + a7 + a8 \leq 300 \text{ m} *3$
	Comprimento da tubagem mais longa (L1)	$e1 + d2 + a1$ ou $e1 + d1 + c1 + b2 \leq 85 \text{ m}$
	Comprimento da tubagem mais longa. Através da caixa de derivação (L2)	$e1 + d1 + c1 + b1 + a8 \leq 80 \text{ m}$
	Comprimento da tubagem entre a unidade exterior e a caixa de derivação	$e1 + d1 + c1 + b1 \leq 55 \text{ m}$
	Comprimento da tubagem mais afastada da primeira união	$d1 + c1 + b1, d1 + c1 + b2, d1 + c2$ ou $d2 + c1 \leq 30 \text{ m}$
	Comprimento da tubagem mais longa após a caixa de derivação	$a8 \leq 25 \text{ m}$
	Comprimento total da tubagem entre as caixas de derivação e as unidades interiores	$a4 + a5 + a6 + a7 + a8 \leq 95 \text{ m}$
Diferença de altura admissível (unidireccional)	Na secção interior/exterior (H) *2	$H \leq 50 \text{ m}$ (Caso a unidade exterior esteja a uma altura superior à da unidade interior) $H \leq 40 \text{ m}$ (Caso a unidade exterior esteja a uma altura inferior à da unidade interior)
	Na secção caixa de derivação/unidade interior (h1)	$h1 \leq 15 \text{ m}$
	Em cada unidade interior (h3)	$h3 \leq 12 \text{ m}$
Número de curvas		$ e1 + d2 + a1 ,  e1 + d2 + a2 ,  e1 + d2 + a3 ,  e1 + d1 + c2 ,  e1 + d1 + c1 + b2 ,  e1 + d1 + c1 + b1 + a4 ,  e1 + d1 + c1 + b1 + a5 ,  e1 + d1 + c1 + b1 + a6 ,  e1 + d1 + c1 + b1 + a7 ,  e1 + d1 + c1 + b1 + a8  \leq 15$

\*2: A caixa de derivação deve ser colocada no nível entre a unidade exterior e as unidades interiores.

\*3: Quando estiver ligada uma unidade do cilindro ou unidade Hydrobox, o comprimento máximo da tubagem é 150 m.

#### 2. No caso de utilizar 2 caixas de derivação

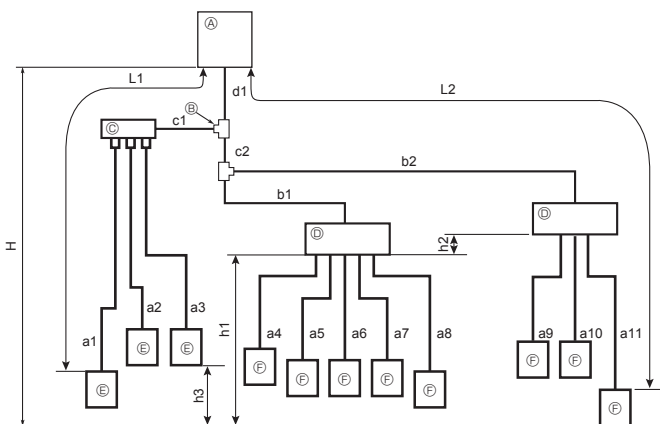


Fig. 4-3 (b)

- Ⓐ Unidade exterior
  - Ⓑ Primeira união
  - Ⓒ Tubo principal (CMY)
  - Ⓓ Caixa de derivação (PAC-MK-BC(B))
  - Ⓔ Unidade interior CityMulti\*
  - Ⓕ Unidade interior da série M, S, P unidade do cilindro ou unidade Hydrobox
- \* As unidades interiores do tipo PKFY-P-VBM, PFFY-P-VKM e PFFY-P-VL\* não podem ser utilizadas num sistema misto.

Comprimento admissível (unidireccional)	Comprimento total da tubagem	$d1 + c1 + c2 + b1 + b2 + a1 + a2 + a3 + a4 + a5 + a6 + a7 + a8 + a9 + a10 + a11 \leq 240 \text{ m} *3$
	Comprimento da tubagem mais longa (L1)	$d1 + c1 + a1 \leq 85 \text{ m}$
	Comprimento da tubagem mais longa. Através da caixa de derivação (L2)	$d1 + c2 + b2 + a11 \leq 80 \text{ m}$
	Comprimento da tubagem entre a unidade exterior e as caixas de derivação	$d1 + c2 + b1 + b2 \leq 55 \text{ m}$
	Comprimento da tubagem mais afastada da primeira união	$c2 + b2$ ou $c1 + a1 \leq 30 \text{ m}$
	Comprimento da tubagem mais longa após a caixa de derivação	$a11 \leq 25 \text{ m}$
	Caixa de derivação mais afastada da unidade externa	$d1 + c2 + b2 \leq 55 \text{ m}$
	Comprimento total da tubagem entre as caixas de derivação e as unidades interiores	$a4 + a5 + a6 + a7 + a8 + a9 + a10 + a11 \leq 95 \text{ m}$
Diferença de altura admissível (unidireccional)	Na secção interior/exterior (H) *2	$H \leq 50 \text{ m}$ (Caso a unidade exterior esteja a uma altura superior à da unidade interior) $H \leq 40 \text{ m}$ (Caso a unidade exterior esteja a uma altura inferior à da unidade interior)
	Na secção caixa de derivação/unidade interior (h1+h2)	$h1 + h2 \leq 15 \text{ m}$
	Em cada caixa de derivação (h1)	$h2 \leq 15 \text{ m}$
	Em cada unidade interior (h3)	$h3 \leq 12 \text{ m}$
Número de curvas		$ d1 + c1 + a1 ,  d1 + c1 + a2 ,  d1 + c1 + a3 ,  d1 + c2 + b1 + a4 ,  d1 + c2 + b1 + a5 ,  d1 + c2 + b1 + a6 ,  d1 + c2 + b1 + a7 ,  d1 + c2 + b1 + a8 ,  d1 + c2 + b2 + a9 ,  d1 + c2 + b2 + a10 ,  d1 + c2 + b2 + a11  \leq 15$

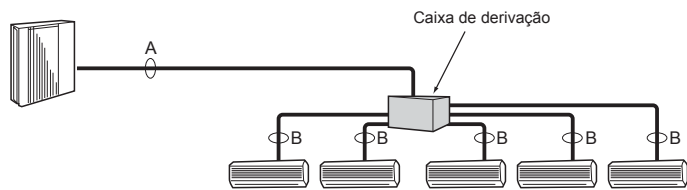
\*2: A caixa de derivação deve ser colocada no nível entre a unidade exterior e as unidades interiores.

\*3: Quando estiver ligada uma unidade do cilindro ou unidade Hydrobox, o comprimento máximo da tubagem é 150 m.

## 4. Instalação da tubagem do refrigerante

### ■ No caso de utilizar 1 caixa de derivação

Utilização de ligação de afunilamento. (Sem soldadura)



### ■ No caso de utilizar 2 caixas de derivação

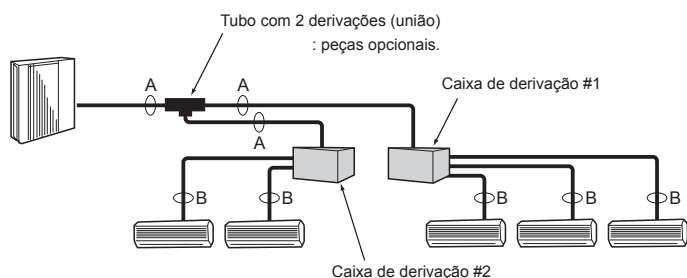


Fig. 4-4

(1) Tamanho da válvula para a unidade exterior

Para líquido	ø9,52 mm
Para gás	ø15,88 mm

(2) Tamanho da válvula para a caixa de derivação

UNIDADE	Tubo de líquido	Tubo de gás
Ⓐ UNIDADE	ø6,35 mm	ø9,52 mm
Ⓑ UNIDADE	ø6,35 mm	ø9,52 mm
Ⓒ UNIDADE	ø6,35 mm	ø9,52 mm
Ⓓ UNIDADE	ø6,35 mm	ø9,52 mm
Ⓔ UNIDADE	ø6,35 mm	ø12,7 mm

\* de 3 derivações: apenas unidades Ⓐ, Ⓑ, Ⓒ

Fórmula de conversão

1/4 F	ø6,35
3/8 F	ø9,52
1/2 F	ø12,7
5/8 F	ø15,88
3/4 F	ø19,05

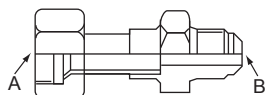


Fig. 4-5

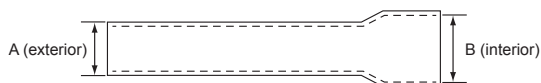


Fig. 4-6

## 4.3. Selecção do tamanho do tubo

### 4.3.1. Ligação sem caixa de derivação

		Unidade interior		Unidade exterior
		15-50	63-140	112-140
Lado do gás	Tamanho do tubo (mm)	ø12,7	ø15,88	ø15,88
Lado do líquido	Tamanho do tubo (mm)	ø6,35	ø9,52	ø9,52

### 4.3.2. Ligação com caixa de derivação (Fig. 4-4)

	A	B
Líquido (mm)	ø9,52	O tamanho da ligação de tubagens varia consoante o tipo e a capacidade das unidades interiores. Utilize ligações de tubagens com o mesmo tamanho para a caixa de derivação e para a unidade interior. Se o tamanho das ligações de tubagens da caixa de derivação e da unidade interior não for igual, utilize uniões opcionais com diâmetros diferentes (deformadas) para o lado da caixa de derivação. (Ligue a união deformada directamente ao lado da caixa de derivação.)
Gás (mm)	ø15,88	

### Uniões com diâmetros diferentes (peças opcionais) (Fig. 4-5)

Nome do modelo	Diâmetro dos tubos ligados	Diâmetro A	Diâmetro B
	mm	mm	mm
MAC-A454JP	ø9,52 → ø12,7	ø9,52	ø12,7
MAC-A455JP	ø12,7 → ø9,52	ø12,7	ø9,52
MAC-A456JP	ø12,7 → ø15,88	ø12,7	ø15,88
PAC-493PI	ø6,35 → ø9,52	ø6,35	ø9,52
PAC-SG76RJ-E	ø9,52 → ø15,88	ø9,52	ø15,88

### Uniões com diâmetros diferentes (peças opcionais) (Fig. 4-6)

Nome do modelo	Diâmetro dos tubos ligados	Diâmetro externo A	Diâmetro interno B
	mm	mm	mm
PAC-SG78RJB-E	ø9,52 → ø12,7	ø9,52	ø12,7
PAC-SG79RJB-E	ø12,7 → ø9,52	ø12,7	ø9,52
PAC-SG80RJB-E	ø12,7 → ø15,88	ø12,7	ø15,88
PAC-SG77RJB-E	ø6,35 → ø9,52	ø6,35	ø9,52
PAC-SG76RJB-E	ø9,52 → ø15,88	ø9,52	ø15,88

### Preparação da tubagem

① A tabela abaixo apresenta as especificações de tubos comercialmente disponíveis.

Diâmetro externo	Espessura do isolamento	Material de isolamento
mm	mm	
6,35	8	
9,52	8	
12,7	8	
15,88	8	

② Assegure-se de que os 2 tubos do refrigerante estão isolados, para evitar condensação.

③ O raio de curvatura do tubo do refrigerante deve ser de 100 mm ou mais.

### ⚠ Cuidado:

Assegure-se de que utiliza um isolamento com a espessura indicada. Uma espessura excessiva poderá provocar a incorrecta instalação da unidade interior e da caixa de derivação e uma espessura insuficiente poderá provocar queda de gotas de água.

**Tubo com 2 derivações (união) : Peças opcionais (Consoante o método de ligação, pode optar pelo que preferir.)**

Nome do modelo	Método de ligação
MSDD-50AR-E	afunilamento
MSDD-50BR-E	soldadura

### ■ Procedimento de instalação [tubo com duas derivações (união)]

Consulte os manuais de instalação da MSDD-50AR-E e MSDD-50BR-E.

### ■ Tamanho do tubo (Unidade exterior-Caixa de derivação)

	A Tubo de líquido	B Tubo de gás
PUMY-P112-140	ø9,52	ø15,88

### ■ Tamanho do tubo (Caixa de derivação-Unidade interior)

Caso da unidade interior da série M ou série S\*1

Série de unidades interiores	Número do modelo	A Tubo de líquido	B Tubo de gás
Série M ou série S	15-42	ø6,35	ø9,52
	50	ø6,35	ø12,7
	60	ø6,35	ø15,88
	71-80	ø9,52	ø15,88
Série P	35, 50 *2	ø6,35	ø12,7
	60-100	ø9,52	ø15,88
Unidade do cilindro	-	ø9,52	ø15,88
Unidade Hydrobox	-	ø9,52	ø15,88

\*1 O alinhamento de uma unidade interior de ligação varia consoante o distrito/área/país.

\*2 Quando utilizar unidades interiores do tipo 35, 50 da série P, utilize a porca afunilada fixa à unidade interior. Não utilize a porca afunilada no acessório da unidade interior. Caso seja utilizada, poderá ocorrer uma fuga de gás ou até mesmo remoção do tubo.

## 4. Instalação da tubagem do refrigerante

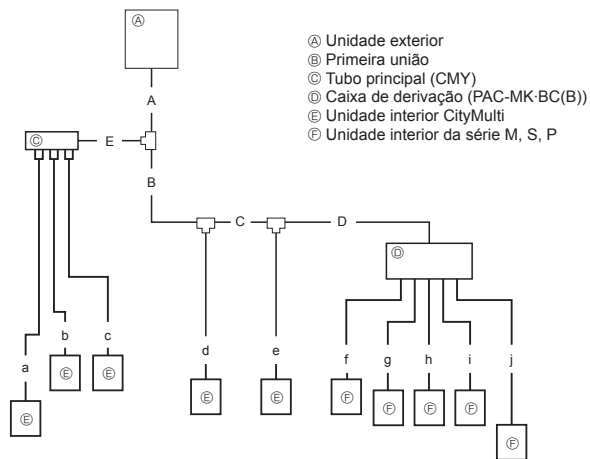


Fig. 4-7

### 4.3.3. Sistema misto

(unidades interiores City Multi e unidades interiores da série M, S, P através da caixa de derivação) (Fig. 4-7)

#### Dimensão do tubo

A, B, C, D, E

	A Tubo de líquido	B Tubo de gás
PUMY-P112-140	ø9,52	ø15,88

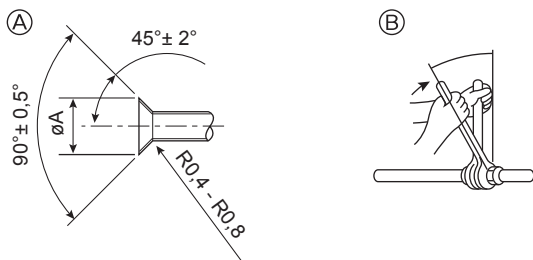
a, b, c ~ j

Série de unidades interiores	Número do modelo	A Tubo de líquido	B Tubo de gás
CityMulti	15 ~ 50	ø6,35	ø12,7
	63 ~ 140	ø9,52	ø15,88
Série M ou série S	15 ~ 42	ø6,35	ø9,52
	50	ø6,35	ø12,7
	60	ø6,35	ø15,88
	71 ~ 80	ø9,52	ø15,88
Série P	35, 50 *1	ø6,35	ø12,7
	60 ~ 100	ø9,52	ø15,88
Unidade do cilindro Unidade Hydrobox	-	ø9,52	ø15,88

União de 2 derivações	CMY-Y62-G-E
União de 4 derivações	CMY-Y64-G-E
União de 8 derivações	CMY-Y68-G-E

\*1 Quando utilizar unidades interiores do tipo 35, 50 da série P, utilize a porca afunilada fixa à unidade interior.  
 Não utilize a porca afunilada no acessório da unidade interior. Caso seja utilizada, poderá ocorrer uma fuga de gás ou até mesmo remoção do tubo.

## 4. Instalação da tubagem do refrigerante



- (A) Dimensões do corte de afunilamento  
(B) Binário de aperto da porca afunilada

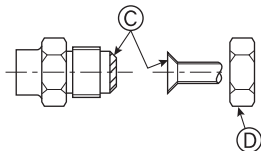


Fig. 4-8

(A) (Fig. 4-8)

Tubo de cobre O.D. (mm)	Dimensões de afunilamento $\phi A$ dimensões (mm)
$\phi 6,35$	8,7 - 9,1
$\phi 9,52$	12,8 - 13,2
$\phi 12,7$	16,2 - 16,6
$\phi 15,88$	19,3 - 19,7

(B) (Fig. 4-8)

Tubo de cobre O.D. (mm)	Porca afunilada O.D. (mm)	Binário de Aperto (N·m)
$\phi 6,35$	17	14 - 18
$\phi 6,35$	22	34 - 42
$\phi 9,52$	22	34 - 42
$\phi 12,7$	26	49 - 61
$\phi 12,7$	29	68 - 82
$\phi 15,88$	29	68 - 82
$\phi 15,88$	36	100 - 120

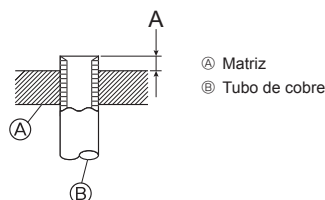
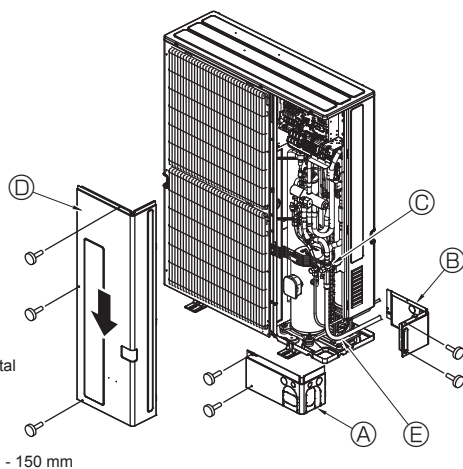


Fig. 4-9



- (A) Tampa da tubagem frontal  
(B) Tampa da tubagem  
(C) Válvula de paragem  
(D) Painel de serviço  
(E) Raio da banda: 100 mm - 150 mm

Fig. 4-10

### 4.4. Tubos de ligação (Fig. 4-8)

- Proceda a um trabalho de anticorrosão e isolamento suficiente para evitar escorrimento de água na tubagem de refrigerante. (tubo de líquido/tubo de gás)
- Aumente o isolamento de acordo com o ambiente em que a tubagem de refrigerante for instalada, caso contrário, poderá ocorrer condensação na superfície do material de isolamento. (Material de isolamento Temperatura resistente ao calor:  $120^\circ\text{C}$ , Espessura: 15 mm ou superior)
- \* Quando a tubagem de refrigerante for utilizada em locais sujeitos a temperatura e humidade elevadas, tais como sótãos, poderá ser necessário um maior isolamento.
- Para isolar a tubagem de refrigerante, aplique espuma de polietileno resistente ao calor entre a unidade interior e o material de isolamento, bem como na rede entre o material de isolamento que preenche todos os espaços vazios. (A condensação que se forma na tubagem pode dar origem a condensação na divisão ou a queimaduras quando houver contacto com a tubagem.)
- As peças internas do tubo de drenagem devem ser limpas com materiais de isolamento de espuma de polietileno (gravidade específica de 0,03 de espessura de 9 mm ou mais).
- Aplique uma fina camada de óleo refrigerante ao tubo e à superfície de costura da junta antes de apertar a porca do tubo. (A)
- Aperte os tubos de ligação com duas chaves. (B)
- Depois de feitas as ligações, utilize um detector de fugas ou água de sabão para se certificar de que não há fugas de gás.
- Aplique óleo de máquina refrigerante em toda a superfície de encaixe de afunilamento. (C)
- Utilize as porcas afuniladas para o tamanho de tubo que se segue. (D)
- Ao dobrar os tubos, tenha cuidado para não os partir. Níveis de curvatura de 100 mm a 150 mm são suficientes.
- Assegure-se de que os tubos não entram em contacto com o compressor. Tal pode provocar ruído ou vibrações.

(1) Os tubos devem ser ligados começando pela unidade interior.

As porcas de afunilamento devem ser apertadas utilizando uma chave dinamómetro.

(2) Afunile os tubos de líquido e os tubos de gás e aplique uma camada fina de óleo de refrigeração (aplicado no local).

• Quando utilizar um isolante de tubos normal, consulte a Tabela 3 relativamente ao afunilamento de tubos de refrigerante R410A.

O manómetro de ajuste de tamanho pode ser utilizado para confirmar as medidas A.

#### ⚠ Aviso:

**Quando instalar a unidade, ligue os tubos de refrigerante firmemente antes de ligar o compressor.**

\* Para ligar o KIT DE LIGAÇÃO (PAC-LV11M-J), consulte o manual de instalação do KIT DE LIGAÇÃO.

Tabela 3 (Fig. 4-9)

Tubo de cobre O.D. (mm)	A (mm)	
	Ferramenta de afunilamento para R410A	Ferramenta de afunilamento para R22-R407C
	Tipo de alavanca	
$\phi 6,35$	0 - 0,5	1,0 - 1,5
$\phi 9,52$	0 - 0,5	1,0 - 1,5
$\phi 12,7$	0 - 0,5	1,0 - 1,5
$\phi 15,88$	0 - 0,5	1,0 - 1,5
$\phi 19,05$	0 - 0,5	1,0 - 1,5

### 4.5. Tubagem de refrigerante (Fig. 4-10)

Remova o painel de manutenção (D) (três parafusos), a tampa da tubagem frontal (A) (dois parafusos) e a tampa da tubagem traseira (B) (dois parafusos).

- (1) Execute as ligações da tubagem de refrigerante para a unidade interior/exterior quando a válvula de paragem da unidade exterior estiver completamente fechada.
- (2) Purgue o ar da unidade interior e da tubagem de ligação.
- (3) Após ter efectuado a ligação dos tubos de refrigerante, verifique se não existem fugas de gás nos tubos ligados e na unidade interior. (Consulte 4.6. Teste de vedação ao ar do tubo de refrigerante)
- (4) Aspire as linhas de refrigerante através da porta de serviço das válvulas de paragem de líquido e de gás. E, de seguida, abra completamente as válvulas de paragem (tanto as válvulas de paragem de líquido como as de gás). Isto permitirá efectuar uma ligação completa das linhas do refrigerante das unidades interiores e exteriores.
  - Se as válvulas de retenção forem deixadas fechadas e a unidade for ligada, o compressor e as válvulas de controlo serão danificados.
  - Utilize um detector de fugas ou água com uma solução de sabão para verificar se existem fugas de gás nas secções de ligação dos tubos da unidade exterior.
  - Não utilize o refrigerante da unidade para purgar o ar das linhas de refrigerante.
  - Depois de a operação da válvula estar concluída, aperte as tampas da válvula até à pressão adequada: 20 a 25 N·m (200 a 250 kgf·cm). Se as tampas não forem substituídas e apertadas, podem ocorrer fugas de refrigerante. Para além disso, não danifique o interior das tampas das válvulas, pois funcionam como vedante para evitar fugas de refrigerante.
- (5) Utilize vedante para vedar as extremidades do isolamento térmico em torno das secções de ligação dos tubos, para evitar a entrada de água no isolamento térmico.

## 4. Instalação da tubagem do refrigerante

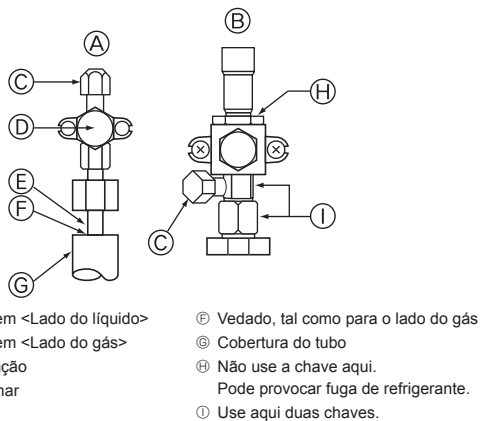


Fig. 4-11

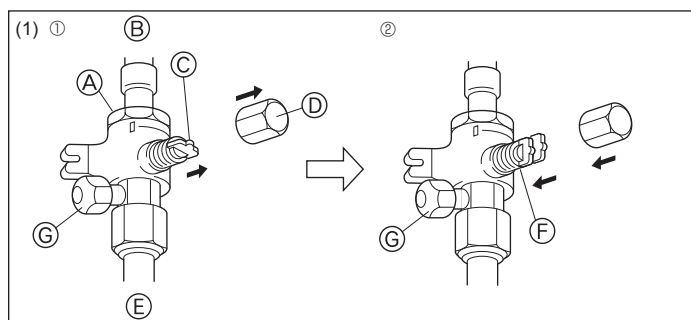


Fig. 4-12

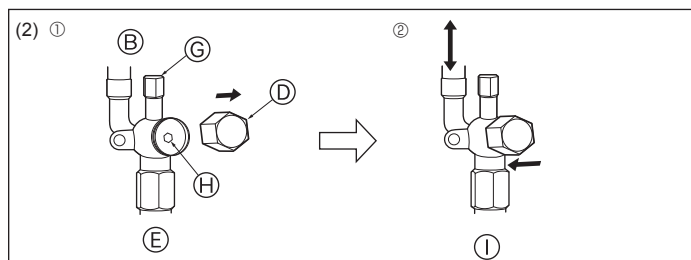


Fig. 4-13

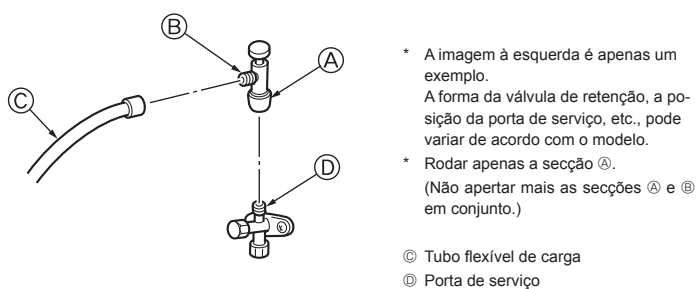


Fig. 4-14

### 4.6. Teste de vedação ao ar do tubo de refrigerante

(1) Ligue as ferramentas de teste.

- Certifique-se de que as válvulas de retenção (A) (B) estão fechadas e não as abra.
- Adicione pressão às linhas de refrigerante através da porta de serviço (C) da válvula de paragem de líquido (A) e da válvula de paragem de gás (B).

(2) Não adicione pressão na quantidade especificada de uma só vez; adicione pressão aos poucos.

- 1 Pressurize até 0,5 MPa (5 kgf/cm<sup>2</sup>G), aguarde cinco minutos e assegure-se de que a pressão não diminui.
- 2 Pressurize até 1,5 MPa (15 kgf/cm<sup>2</sup>G), aguarde cinco minutos e assegure-se de que a pressão não diminui.
- 3 Pressurize até 4,15 MPa (41,5 kgf/cm<sup>2</sup>G) e meça a temperatura ambiente e a temperatura do refrigerante.

(3) Se a pressão especificada se mantiver durante cerca de um dia e não diminuir, os tubos terão passado no teste e não existem fugas.

- Se a temperatura ambiente se alterar em 1 °C, a pressão irá alterar-se em cerca de 0,01 MPa (0,1 kgf/cm<sup>2</sup>G). Efectue as correcções necessárias.

(4) Se a pressão diminuir nos passos (2) ou (3), existe uma fuga de gás. Procure descobrir a causa da fuga de gás.

### 4.7. Método de abertura da válvula de paragem

(1) Lado do gás (Fig. 4-12)

- 1 Remova a cápsula, puxe a alavanca na sua direcção e gire 1/4 de volta no sentido contrário aos ponteiros do relógio para abrir.
- 2 Certifique-se de que a válvula de paragem esteja completamente aberta, empurre a alavanca e gire a cápsula de volta à sua posição original.

(2) Lado do líquido (Fig. 4-13)

- 1 Retire a tampa e rode a válvula para a esquerda o máximo que puder com uma chave sextavada de 4 mm. Pare de rodar quando esta alcançar o batente. (Ø6,35: Aproximadamente 4,5 rotações) (Ø9,52: Aproximadamente 10 rotações)
- 2 Certifique-se de que a válvula de paragem esteja completamente aberta, empurre a alavanca e gire a cápsula de volta à sua posição original.

- |   |                    |   |                                  |
|---|--------------------|---|----------------------------------|
| A | Válvula            | F | Lado da posição de abrir         |
| B | Lado da unidade    | G | Porta de manutenção              |
| C | Alavanca           | H | Furo da chave                    |
| D | Cápsula            | I | Direção do fluxo de refrigerante |
| E | Lado do tubo local |   |                                  |

Os tubos de refrigerante são revestidos de forma segura

- Os tubos podem ser revestidos de forma segura até um diâmetro de Ø90 antes ou depois de efectuar a ligação dos tubos. Corte o recorte na tampa do tubo, seguindo a ranhura, e revista os tubos.

Intervalo de entrada do tubo

- Utilize pasta ou vedante para vedar a entrada do tubo em torno dos tubos, para que não existam intervalos.

(Se os intervalos não forem eliminados, pode verificar-se a emissão de ruído ou a entrada de poeira na unidade, provocando avarias.)

### Precauções de utilização da válvula de carga (Fig. 4-14)

Quando instalar a porta de serviço não a aperte demasiado, pois se apertar demasiado, o núcleo da válvula pode ficar deformado e soltar-se, provocando uma fuga de gás.

Depois de posicionar a secção (B) na direcção pretendida, rode apenas a secção (A) e aperte-a.

Depois de apertar a secção (A) não aperte mais as secções (A) e (B) em conjunto.

## 4. Instalação da tubagem do refrigerante

### 4.8. Carregamento adicional de refrigerante

#### Carregamento adicional de refrigerante

O refrigerante equivalente ao comprimento total da tubagem não está incluído quando a unidade exterior sai de fábrica. Por isso, é necessário carregar cada um dos sistemas de tubagem de refrigerante no local da instalação com refrigerante adicional. Além disso, para proceder ao serviço, introduza a dimensão e o comprimento de cada tubo de líquido e as quantidades de carga de refrigerante adicionais nos espaços para o efeito da placa "Quantidade de refrigerante" localizada na unidade exterior.

#### Cálculo do Carregamento de Refrigerante Adicional

- Calcule a carga adicional utilizando a dimensão e o comprimento dos tubos de líquido do comprimento total da tubagem.
- No cálculo, utilize 11,2 kW para a capacidade do cilindro ou da unidade Hydrobox.
- Calcule a carga adicional de refrigerante utilizando o procedimento mostrado à direita e carregue com refrigerante adicional.
- Para quantidades inferiores a 0,1 kg, arredonde a carga de refrigerante adicional calculada.  
(Por exemplo, se a carga calculada for 6,01 kg, arredonde a carga para 6,1 kg.)

<Carregamento adicional>

#### Cálculo da carga de refrigerante

Dimensão do tubo Tubo de líquido ø6,35 (m) × 19,0 (g/m)	+	Dimensão do tubo Tubo de líquido ø9,52 (m) × 50,0 (g/m)	+	Capacidade total das unidades interiores ligadas ~ 8,0 kW	Quantidade para as unida- des interiores 1,5 kg
				8,1 ~ 16,0 kW	2,5 kg
				16,1 kW ~	3,0 kg

#### Quantidade de refrigerante incluído ao sair da fábrica

Quantidade de refrigerante incluído
4,8 kg

<Exemplo>

Modelo exterior : P125	A : ø9,52 30 m	} Segundo as condições infra:
Interior 1 : P63 (7,1 kW)	a : ø9,52 15 m	
2 : P40 (4,5 kW)	b : ø6,35 10 m	
3 : P25 (2,8 kW)	c : ø6,35 10 m	
4 : P20 (2,2 kW)	d : ø6,35 20 m	

O comprimento total de cada linha de líquido é o seguinte:

$$\text{ø9,52 : } A + a = 30 + 15 = 45 \text{ m}$$

$$\text{ø6,35 : } b + c + d = 10 + 10 + 20 = 40 \text{ m}$$

A capacidade total das unidades interiores ligadas é a seguinte:

$$7,1 + 4,5 + 2,8 + 2,2 = 16,6$$

<Exemplo de cálculo>

Carregamento adicional de refrigerante

$$40 \times \frac{19,0}{1000} + 45 \times \frac{50,0}{1000} + 3,0 = 6,1 \text{ kg (arredondado)}$$

## 5. Trabalho de tubagem de drenagem

#### Ligação do tubo de drenagem da unidade exterior

Se for necessário drenar a tubagem, utilize o bocal de drenagem ou o recipiente de drenagem (opção).

	P112-140
Bocal de drenagem	PAC-SG61DS-E
Recipiente de drenagem	PAC-SH97DP-E

## 6. Trabalho de electricidade

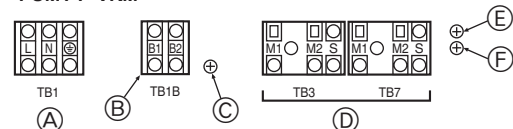
### 6.1. Cuidado

- 1 Siga as instruções do seu governo quanto às normas técnicas relativas ao equipamento eléctrico, às regulamentações de cablagem e às orientações de cada companhia de electricidade.
- 2 A cablagem de controlo (a seguir referida como linha de transmissão) deve estar distante (5 cm ou mais) da cablagem eléctrica para não ser afectada pelo ruído eléctrico emitido pela cablagem eléctrica (Não introduza a linha de transmissão nem o fio eléctrico no mesmo conduto).
- 3 Não se esqueça de efectuar o trabalho previsto de ligação à terra da unidade exterior.
- 4 Preveja alguma folga da cablagem para a caixa da parte eléctrica das unidades interior e exterior, porque a caixa é, por vezes, removida aquando do trabalho de manutenção.
- 5 Nunca ligue a corrente ao bloco terminal da linha de transmissão. Se o fizer, as peças eléctricas queimam-se.
- 6 Para linha de transmissão, utilize cabos blindados de 2 condutores. Se as linhas de transmissão de diferentes sistemas forem de cabos com o mesmo multicondutor, a fraca transmissão e recepção daí resultante causará operações erradas.
- 7 Só a linha de transmissão específica deve ser ligada ao bloco terminal para transmissão da unidade exterior.  
(Linha de transmissão a ligar à unidade interior: bloco terminal TB3 para linha de transmissão. Outra: bloco terminal TB7 para controlo centralizado)  
A ligação errada impede o sistema de funcionar.
- 8 Se ligar a um controlador de classe superior ou se efectuar uma operação de grupo em sistemas de refrigerante diferentes, é necessária uma linha de controlo de transmissão entre todas as unidades exteriores.  
Ligue esta linha de controlo entre os blocos terminais para controlo centralizado. (Linha de 2 fios sem polaridade)  
Se efectuar uma operação de grupo num sistema de refrigerante diferente sem a ligar a um controlador de classe superior, substitua a inserção do conector de curto-circuito a partir do CN41 de uma unidade exterior para o CN40.
- 9 O grupo é regulado pela operação do controlo remoto.
- 10 Para ligar o KIT DE LIGAÇÃO (PAC-LV11M-J) à unidade interior da série M, consulte o manual de instalação do KIT DE LIGAÇÃO.
- 11 Quando estiver a ligar uma caixa de derivação, certifique-se de que liga as unidades interiores e a caixa de derivação antes de ligar a unidade exterior.

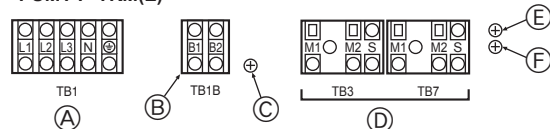


## 6. Trabalho de electricidade

<PUMY-P-VKM>



<PUMY-P-YKM(E)>



- (A) Corrente  
 (B) Alimentação para a caixa de derivação  
 (C) Aparafusar a caixa de componentes eléctricos  
 (D) Linha de transmissão  
 (E) Ligação à terra para o bloco de terminais (TB3)  
 (F) Parafuso na caixa do painel eléctrico

Fig. 6-1

### 6.2. Caixa de controlo e posição de ligação da cablagem (Fig. 6-1)

- Ligue a linha de transmissão da unidade interior ao bloco de terminais de transmissão (TB3), ou ligue a cablagem entre as unidades exteriores ou a cablagem do sistema de controlo central ao bloco de terminais de controlo central (TB7). Quando utilizar cablagem blindada, ligue o fio de terra blindado da linha de transmissão da unidade interior ao parafuso (E) e ligue o fio de terra blindado da linha entre as unidades exteriores e a linha de transmissão do sistema de controlo central ao terminal blindado (S) do bloco de terminais para controlo central (TB7). Além disso, no caso das unidades exteriores cujo conector de corrente CN41 tenha sido substituído pelo CN40, o terminal blindado (S) do bloco de terminais do sistema de controlo central (TB7) também deve ser ligado ao parafuso (E) utilizando o fio condutor incorporado.
- A caixa de terminais (TB1B) destina-se a alimentar a caixa de derivação (220 ~ 240 V CA. máx. 6 A).
- Fixe a cablagem eléctrica à caixa do terminal utilizando um casquilho amortecedor da força de tracção (Ligação PG ou similar).

#### ⚠ Cuidado:

**Nunca ligue a linha de transmissão da unidade interior ou a linha de transmissão do sistema de controlo central a esta caixa de terminais (TB1B). Se as linhas de transmissão forem ligadas, o bloco de terminais da unidade interior ou o bloco de terminais do controlo centralizado podem ficar danificados.**

### 6.3. Cablagem de cabos de transmissão

#### ① Tipos de cabos de controlo

- Cablagem de cabos de transmissão
  - Tipos de cabos de transmissão: cabo blindado CVVS, CPEVS ou MVVS
  - Diâmetro do cabo: Superior a 1,25 mm<sup>2</sup>
  - Comprimento máximo da cablagem: Dentro de 200 m

#### 2. Cabos do controlo remoto M-NET

Tipo de cabo do controlo remoto	Cabo blindado CVVS, CPEVS ou MVVS
Diâmetro do cabo	0,5 a 1,25 mm <sup>2</sup>
Observações	Para mais de 10 m, utilize um cabo com as mesmas especificações que a cablagem de linhas de transmissão.

#### 3. Cabos do controlo remoto MA

Tipo de cabo do controlo remoto	Cabo de 2 núcleos revestido (não blindado) CVV
Diâmetro do cabo	0,3 a 1,25 mm <sup>2</sup> (0,75 a 1,25 mm <sup>2</sup> )*
Observações	Dentro de 200 m

\* Ligação com controlo remoto simples.

#### ② Exemplos de cablagem

- Nome do controlador, símbolo e número admissível de controladores.

Nome	Símbolo	Número admissível de controladores	
Controlador da unidade exterior	OC	-	
Controlador da unidade interior	M-IC	PUMY-P112	1 a 9 unidades para 1 OC*1
		PUMY-P125	1 a 10 unidades para 1 OC*1
	A-IC	PUMY-P140	1 a 12 unidades para 1 OC*1
		PUMY-P112	2 a 8 unidades para 1 OC*1
	PUMY-P125		
	PUMY-P140		
Caixa de derivação	-	-	0 a 2 unidades para 1 OC
Controlo remoto	RC	M-NET RC*2	Máximo de 12 controlos para 1 OC (Não é possível ligar se a caixa de derivação estiver a ser usada.)
		MA-RC	Máximo de 2 por grupo

#### Nota:

- O número de unidades que é possível ligar pode ser limitado devido a algumas condições como, por exemplo, a capacidade de uma unidade interior ou o consumo de energia equivalente de cada unidade.
- Não utilize o controlador Lossnay (PZ-61DR-E, PZ-43SMF-E, PZ-52SF-E, PZ-60DR-E).

### Exemplo de um sistema de operação de grupo com unidades exteriores múltiplas (fios blindados e definição de endereços necessários)

<Exemplos de cablagem de cabos de transmissão: quando não utilizar uma caixa de derivação>

#### ■ Consulte a Fig. 6-6 a partir da Fig. 6-2.

<Método de cablagem e definição de endereços: sem sistema de caixa de derivação>

- Utilize sempre fios blindados para efectuar ligações entre a unidade exterior (OC) e a unidade interior (M-IC).
- Utilize cablagem eléctrica para ligar os terminais M1 e M2 e o terminal de terra do bloco de terminais do cabo de transmissão (TB3) de cada unidade exterior (OC) aos terminais M1, M2 e ao terminal S do bloco de terminais do cabo de transmissão da unidade interior (M-IC).
- Ligue os terminais 1 (M1) e 2 (M2) do bloco terminal do cabo de transmissão da unidade interior (M-IC), cujo endereço seja o mais recente do mesmo grupo, ao bloco terminal do controlo remoto (M-NET RC).
- Ligue os terminais M1, M2 e o terminal S em conjunto ao bloco de terminais para controlo central (TB7) da unidade exterior (OC).
- O conector em ponte CN41 do painel de controlo não muda.
- Ligue o fio de terra blindado da linha de transmissão das unidades interiores ao terminal blindado (S) de (TB3) e ligue também o terminal (S) ao parafuso (E ou F) utilizando o fio condutor incorporado.  
Ligue o fio de terra blindado da linha entre as unidades exteriores e a linha de transmissão do sistema de controlo central ao terminal blindado (S) do bloco (TB7).
- Coloque o interruptor de definição de endereços como ilustrado abaixo.

Unidade	Gama	Com definir a cablagem
M-IC (principal)	01 a 50	Defina o endereço mais recente dentro do mesmo grupo de unidades interiores (IC)
M-IC (subordinada)	01 a 50	Defina um endereço, diferente do da IC (principal) no mesmo grupo de unidades interiores (IC). Este deve ser consequente com o da IC (principal)
Unidade exterior	51 a 100	Defina o endereço mais recente das unidades interiores no mesmo sistema de refrigerante + 50 * O endereço passa automaticamente a ser "100" se for definido como "01-50".
M-NET R/C (principal)	101 a 150	Defina o endereço (principal) + 100
M-NET R/C (subordinada)	151 a 200	Defina o endereço (principal) + 150
MA R/C	-	Programação de endereço desnecessária (Programação de main/sub necessária)

- Defina as múltiplas unidades exteriores como um grupo do controlo remoto (M-NET RC) depois de ligar a corrente.

- Ao ligar uma unidade PWFY
  - Não efectue definições de grupo para a unidade PWFY e as unidades interiores.
  - Não é possível ter a unidade PWFY e uma unidade Lossnay a funcionar ao mesmo tempo.
  - Utilize um controlo remoto WMA para a unidade PWFY.

Para obter mais informações, consulte o manual de instalação da unidade PWFY.

- Quando ligar um cilindro ou uma unidade Hydrobox

- Não efectue definições de grupo para o cilindro ou para a unidade Hydrobox e as outras unidades interiores.

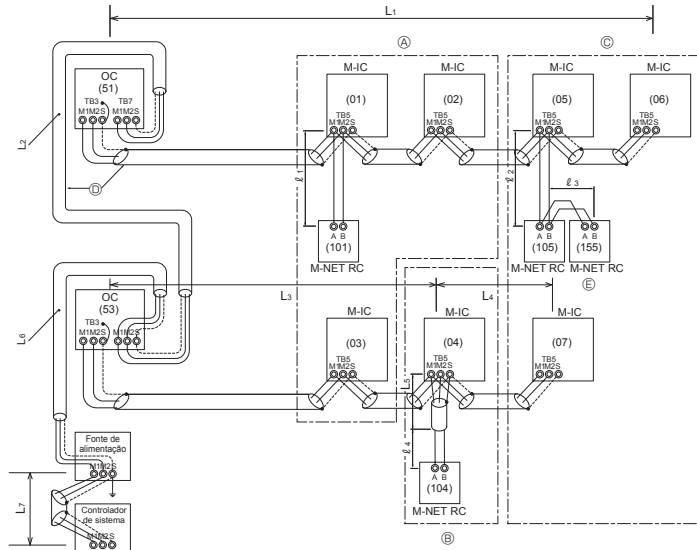
<Método de cablagem e definição de endereços: com sistema de caixa de derivação>

Consulte o Manual de Instalação da caixa de derivação.

## 6. Trabalho de electricidade

<Exemplo de ligação do cabo de transmissão: Sem utilizar a caixa de derivação>

■ **Controlo remoto M-NET**



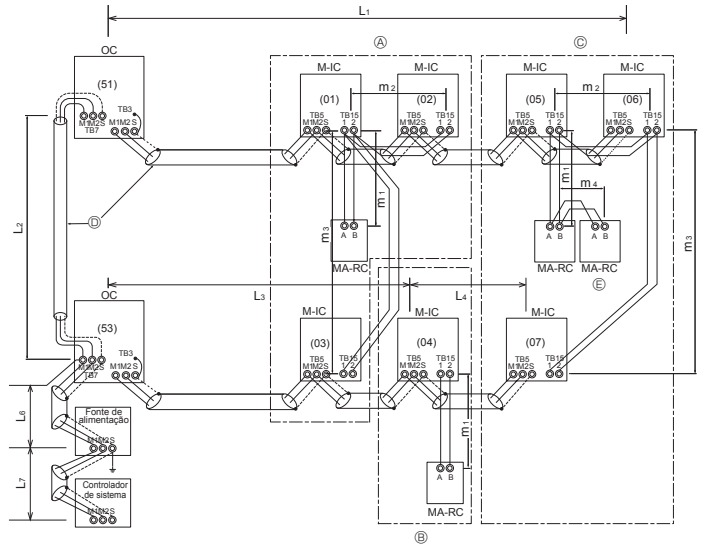
- Ⓐ: Grupo 1
- Ⓑ: Grupo 2
- Ⓒ: Grupo 3
- Ⓓ: Fio blindado
- Ⓔ: Controlo remoto subordinado
- ( ): Endereço

<Comprimentos admissíveis>

- Comprimento máx. através das unidades exteriores:  $L_1 + L_2 + L_3 + L_4$  e  $L_1 + L_2 + L_3 + L_5$  e  $L_1 + L_2 + L_6 + L_7 \leq 500$  m (1,25 mm<sup>2</sup> ou superior)
  - Comprimento máx. do cabo de transmissão:  $L_1$  e  $L_3 + L_4$  e  $L_3 + L_5$  e  $L_2 + L_6$  e  $L_7 \leq 200$  m (1,25 mm<sup>2</sup> ou superior)
  - Comprimento do cabo do controlo remoto:  $l_1, l_2, l_3, l_4 \leq 10$  m (0,5 a 1,25 mm<sup>2</sup>)
- Se o comprimento exceder 10 m, utilize um fio blindado de 1,25 mm<sup>2</sup>. O comprimento desta secção ( $L_4$ ) deve ser incluído no cálculo do comprimento máximo e do comprimento total.

Fig. 6-2

■ **Controlo remoto MA**

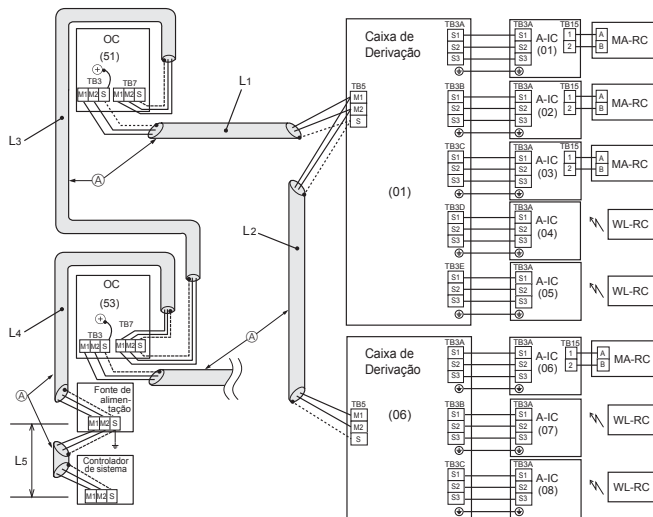


<Comprimentos admissíveis>

- Comprimento máx. através da unidade exterior (cabo M-NET):  $L_1 + L_2 + L_3 + L_4$  e  $L_1 + L_2 + L_6 + L_7 \leq 500$  m (1,25 mm<sup>2</sup> ou superior)
- Comprimento máx. do cabo de transmissão (cabo M-NET):  $L_1$  e  $L_3 + L_4$  e  $L_2 + L_6$  e  $L_7 \leq 200$  m (1,25 mm<sup>2</sup> ou superior)
- Comprimento do cabo do controlo remoto:  $m_1$  e  $m_1 + m_2 + m_3$  e  $m_1 + m_2 + m_3 + m_4 \leq 200$  m (0,3 a 1,25 mm<sup>2</sup>)

Fig. 6-3

<Exemplo de ligação do cabo de transmissão: Ligação com caixa de derivação>



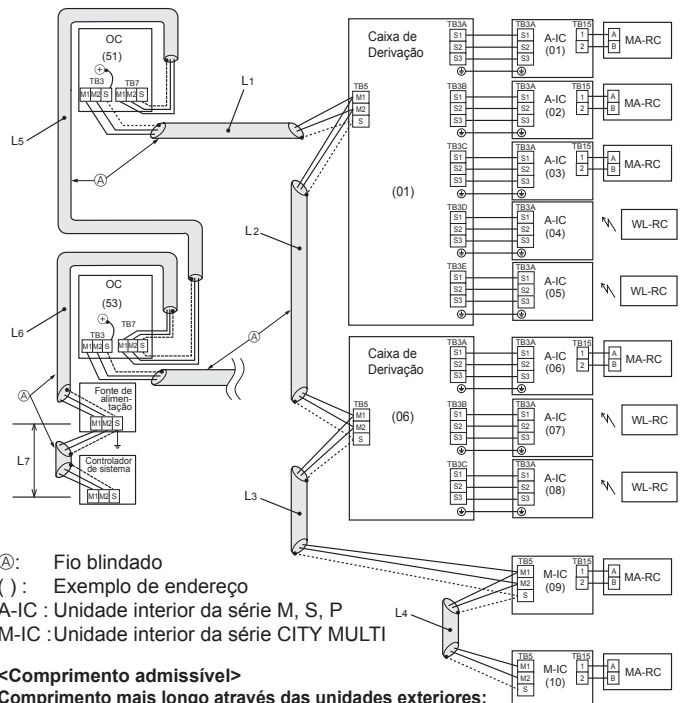
- Ⓐ: Fio blindado
  - ( ): Exemplo de endereço
- A-IC : Unidade interior da série M, S, P

<Comprimentos admissíveis>

- Comprimento máx. através das unidades exteriores (cabo M-NET):  $L_1 + L_2 + L_3 + L_4 + L_5 \leq 500$  m (1,25 mm<sup>2</sup> ou superior)
- Comprimento máx. do cabo de transmissão (cabo M-NET):  $L_1 + L_2, L_3 + L_4, L_5 \leq 200$  m (1,25 mm<sup>2</sup> ou superior)

Fig. 6-4

<Exemplo de ligação do cabo de transmissão: Sistema misto>



- Ⓐ: Fio blindado
  - ( ): Exemplo de endereço
- A-IC : Unidade interior da série M, S, P  
M-IC : Unidade interior da série CITY MULTI

<Comprimento admissível>

- Comprimento mais longo através das unidades exteriores:  $L_1 + L_2 + L_3 + L_4 + L_5 + L_6 + L_7 \leq 500$  m (1640 pés) (1,25 mm<sup>2</sup> ou superior)
- Comprimento mais longo do cabo de transmissão:  $L_1 + L_2 + L_3 + L_4, L_5 + L_6, L_7 \leq 200$  m (656 pés) (1,25 mm<sup>2</sup> ou superior)

Fig. 6-5

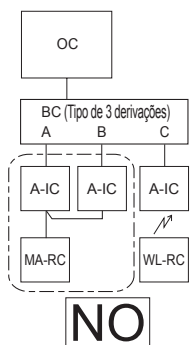
Nota:

Não é possível agrupar a unidade do cilindro ou a unidade Hydrobox com outra unidade que não seja uma destas.  
Além disso, quando a unidade do cilindro ou a unidade Hydrobox estiver ligada, não é possível que várias unidades exteriores funcionem em conjunto.

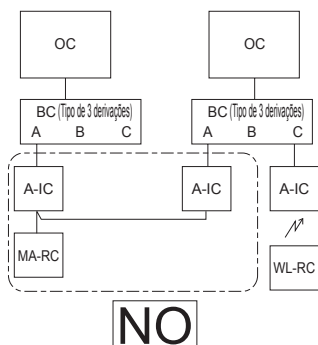
## 6. Trabalho de electricidade

<Sistemas incorrectos>

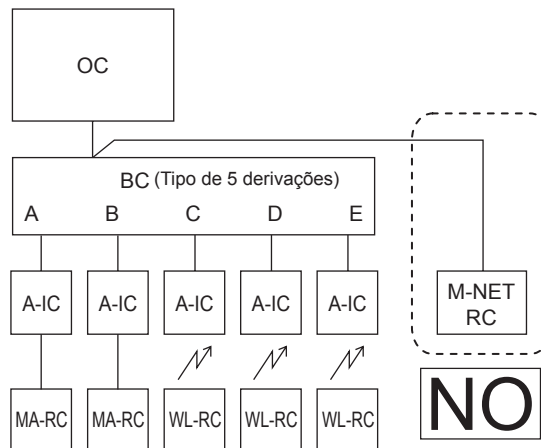
1. Funcionamento em grupo através de um único controlo remoto



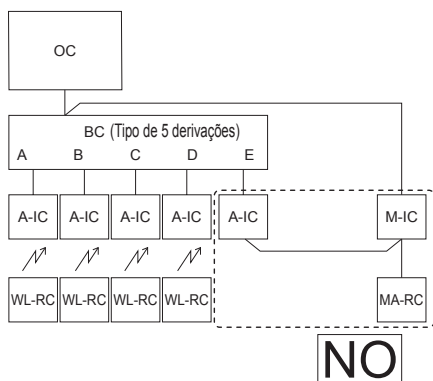
2. Funcionamento em grupo entre diferentes sistemas de refrigeração



3. Ligação do controlo remoto M-NET



4. Funcionamento em grupo entre o sistema de controlo A e o sistema de controlo M-NET.



1. Não é possível utilizar várias unidades interiores através de um único controlo remoto.
2. Não é possível ligar em conjunto sistemas de refrigeração diferentes.
3. Não é possível ligar um controlo remoto M-NET.
4. Não é possível ligar em conjunto sistemas de controlo de tipos diferentes (A-IC/M-IC).

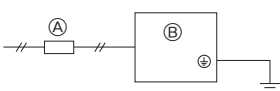
## 6. Trabalho de electricidade

### 6.4. Cablagem da corrente principal e capacidade do equipamento

Diagrama esquemático da cablagem: quando não utilizar uma caixa de derivação (exemplo) (Fig. 6-6)

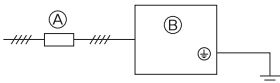
#### ■ PUMY-P-VKM4

~N 220-230-240 V 50 Hz  
~N 220-230 V 60 Hz



#### ■ PUMY-P-YKM(E)4

• YKM4  
3N~380-400-415 V 50 Hz  
3N~380 V 60 Hz  
• YKME4  
3N~380-400-415 V 50 Hz



~N 220-230-240 V 50 Hz  
~N 220-230 V 60 Hz

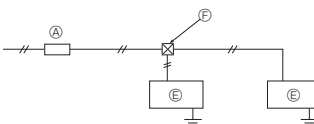


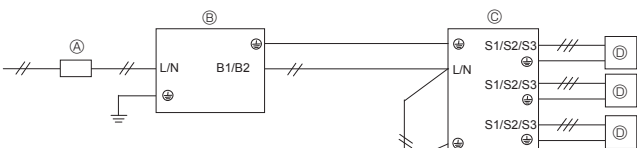
Fig. 6-6

Diagrama esquemático da cablagem: quando utilizar uma caixa de derivação (exemplo) (Fig. 6-7)

<Quando a corrente é fornecida pela unidade exterior>

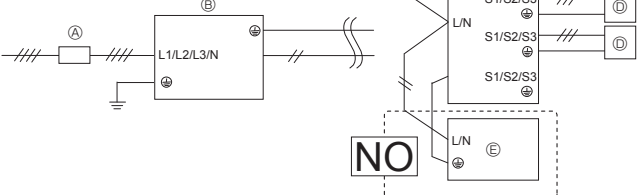
#### ■ PUMY-P-VKM4

~N 220-230-240 V 50 Hz  
~N 220-230 V 60 Hz

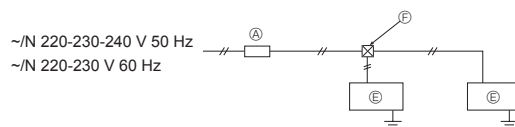


#### ■ PUMY-P-YKM(E)4

• YKM4  
3N~380-400-415 V 50 Hz  
3N~380 V 60 Hz  
• YKME4  
3N~380-400-415 V 50 Hz



~N 220-230-240 V 50 Hz  
~N 220-230 V 60 Hz



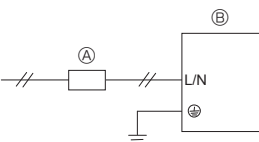
- Ⓐ Disjuntor de fio (disjuntor de fuga do fio de terra)
- Ⓑ Unidade exterior
- Ⓒ Caixa de derivação
- Ⓓ "Controlo A" Unidade Interior (unidade interior da série M, S, P)
- Ⓔ Unidade interior de controlo M-NET (unidade interior City Multi)
- Ⓕ Caixa de tração

\* A unidade interior de controlo M-NET não pode receber a corrente fornecida por uma unidade exterior, pelo que é necessário que receba a corrente separadamente.

<Quando a corrente é fornecida em separado>

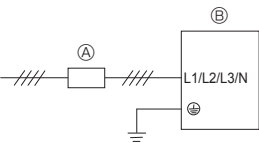
#### ■ PUMY-P-VKM4

~N 220-230-240 V 50 Hz  
~N 220-230 V 60 Hz

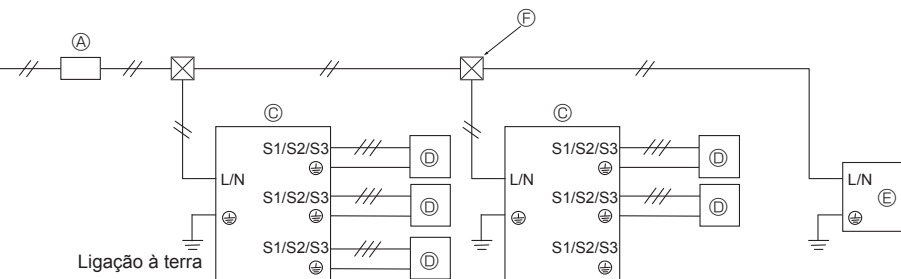


#### ■ PUMY-P-YKM(E)4

• YKM4  
3N~380-400-415 V 50 Hz  
3N~380 V 60 Hz  
• YKME4  
3N~380-400-415 V 50 Hz



~N 220-230-240 V 50 Hz  
~N 220-230 V 60 Hz



Nota: CAIXA do reactor (Peças opcionais)

Quando o produto é utilizado para outros fins que não equipamento profissional, poderá ser necessária a CAIXA do reactor.

	Método de alimentação da caixa de derivação	
Unidade exterior	Alimentação a partir da unidade exterior	Alimentação em separado
Alimentação monofásica	Não necessária	Necessária
Alimentação trifásica	Necessária	Necessária

Fig. 6-7

## 6. Trabalho de electricidade

### Área de secção transversal para alimentação de rede e capacidades On/Off

<Quando a corrente é fornecida em separado>

Modelo	Alimentação	Área de secção transversal mínima de fios (mm <sup>2</sup> )			Disjuntor de cablagem *1	Disjuntor de fuga de corrente	
		Cabo principal	Derivação	Ligação à terra			
Unidade exterior	P112-140VKM4	~N 220-230-240 V 50 Hz ~N 220-230 V 60 Hz	6	–	6	32 A	32 A 30 mA 0,1 seg. ou menos
	P112-140YKM4	3N~380-400-415 V 50 Hz 3N~380 V 60 Hz	1,5	–	1,5	16 A	16 A 30 mA 0,1 seg. ou menos
	P112-140YKME4	3N~380-400-415 V 50 Hz					

<Quando a corrente é fornecida pela unidade exterior>

Modelo	Alimentação	Área de secção transversal mínima de fios (mm <sup>2</sup> )			Disjuntor de cablagem *1	Disjuntor de fuga de corrente	
		Cabo principal	Derivação	Ligação à terra			
Unidade exterior	P112-140VKM4	~N 220-230-240 V 50 Hz ~N 220-230 V 60 Hz	6	–	6	40 A	40 A 30 mA 0,1 seg. ou menos
	P112-140YKM4	3N~380-400-415 V 50 Hz 3N~380 V 60 Hz	2,5	–	2,5	20 A	20 A 30 mA 0,1 seg. ou menos
	P112-140YKME4	3N~380-400-415 V 50 Hz					

\*1 Utilize um disjuntor sem fusível (NF) ou um disjuntor de fuga à terra (NV) com uma separação de, pelo menos, 3,0 mm entre os contactos dos pólos.

<Unidades interiores>

Corrente de funcionamento total da unidade interior	Espessura mínima do fio (mm <sup>2</sup> )			Interruptor de fuga à terra *1	Interruptor local (A)		Disjuntor da cablagem (NFB)
	Cabo principal	Derivação	Terra		Capacidade	Fusível	
F0 = 16 A ou menos *2	1,5	1,5	1,5	20 A de sensibilidade da corrente *3	16	16	20
F0 = 25 A ou menos *2	2,5	2,5	2,5	30 A de sensibilidade da corrente *3	25	25	30
F0 = 32 A ou menos *2	4,0	4,0	4,0	40 A de sensibilidade da corrente *3	32	32	40

Aplicar segundo a IEC61000-3-3 próximo da impedância máx. do sistema permitida.

\*1 O interruptor de fuga à terra deve suportar o circuito do inversor.

O interruptor de fuga à terra deve combinar através do interruptor local ou do disjuntor da cablagem.

\*2 É favor considerar o valor maior entre F1 e F2 como valor de F0.

F1 = Total de corrente máxima de funcionamento das unidades interiores × 1,2

F2 = {V1 × (Quantidade de Tipo 1)/C} + {V1 × (Quantidade de Tipo 2)/C} + {V1 × (Quantidade de Tipo 3)/C} + ... + {V1 × (Quantidade de Tipo 14)/C}

Ligar à caixa de derivação (PAC-MK-BC(B))

Unidade interior		V1	V2	
Tipo 1	PEAD-RP-JA(L)Q, PEAD-M-JA(L), PEY-(S)P-JA	26,9	2,4	
Tipo 2	SEZ-KD-VAQ(L), SEZ-M-DA(L), PCA-RP-KAQ, PCA-M-KA, PLA-ZRP-BA, PLA-RP-EA, SLZ-KF-VA2, SLZ-M-FA, PLY-(S)P-BA, SEZ-KH-VALT, PCY-(S)P-KA	19,8		
Tipo 3	MLZ-KA-VA, SLZ-KA-VAQ(L)3	9,9		
Tipo 4	MFZ-KJ-VE2, MSXY-FJ-VE, MSZ-LN-VG, MSZ-AP-VG, MLZ-KP-VF	7,4		
Tipo 5	MSZ-FH-VE, MSZ-SF-VE, MSZ-EF-VE, MSZ-SF-VA, MSZ-GF-VE, MSZ-GE-VA, MSZ-EF-VA, MSY-GE-VA, MSY-EF-VA, MSZ-FH-VA, MSY-GH-VA, MSZ-FK-VA, MSZ-GC-NA	6,8		
Tipo 6	Caixa de derivação (PAC-MK-BC(B))	5,1		3,0
Tipo 7	Ecodação Geração C			5,0 *5

\*5 Este valor pode aumentar devido a um actuador ligado localmente.

Efectuar ligação ao kit de ligação (PAC-LV11M-J)

Unidade interior		V1	V2
Tipo 8	MFZ-KJ-VE2	7,4	2,4
Tipo 9	MSZ-GE-VA, MSZ-SF-VA, MSZ-SF-VE, MSZ-EF-VE, MSZ-FH-VE, MSY-GE-VA, MSY-GH-VA	6,8	
Tipo 10	Kit de ligação (PAC-LV11M-J)	3,5	

Unidade interior		V1	V2
Tipo 11	PEFY-VMA(L)-E, PEFY-VMA3-E	38,0	1,6
Tipo 12	PMFY-VBM-E, PLFY-VEM-E, PLFY-VFM-E1, PEFY-VMS1(L)-E, PCFY-VKM-E, PKFY-VHM-E, PKFY-VKM-E, PFFY-VKM-E2, PFFY-VLRMM-E, PLFY-EP-VEM-E, PMFY-P-VFM-D	19,8	2,4
Tipo 13	PKFY-VBM-E	3,5	2,4
Tipo 14	PLFY-VLMD-E, PEFY-VMR-E-L/R, PDFY-VM-E, PEFY-VMH-E, PFFY-VLEM-E, PFFY-VLRM-E, PWFY-VM-E1(2)-AU, PEFY-P-VMH-E-F, GUF-RD(H)4	0,0	0,0

C: múltiplo da corrente de disparo para um tempo de disparo de 0,01 segundos

Selecione "C" nas características de disparo do disjuntor.

## 6. Trabalho de electricidade

<Exemplo de cálculo de "F2">

Condição PEFY-VMS × 4 + PEFY-VMA × 1, C = 8 (consulte a tabela do lado direito)

$$F2 = 19,8 \times 4/8 + 38 \times 1/8$$

$$= 14,65$$

→ Disjuntor de 16 A (corrente de disparo = 8 × 16 A a 0,01 segundos)

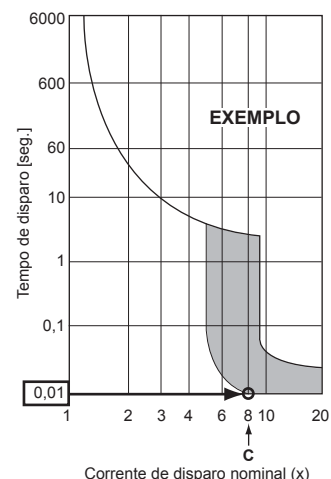
\*3 A corrente nominal é calculada utilizando a seguinte fórmula.

$$G1 = V2 \times (\text{quantidade do Tipo 1}) + V2 \times (\text{quantidade do Tipo 2}) + V2 \times (\text{quantidade do Tipo 3}) + \dots + V2 \times (\text{quantidade do Tipo 14}) + V3 \times (\text{comprimento do cabo [km]})$$

G1	Corrente de disparo
30 ou menos	30 mA, 0,1 segundos ou menos
100 ou menos	100 mA, 0,1 segundos ou menos

Secção do cabo	V3
1,5 mm <sup>2</sup>	48
2,5 mm <sup>2</sup>	56
4,0 mm <sup>2</sup>	66

Tabela de exemplo



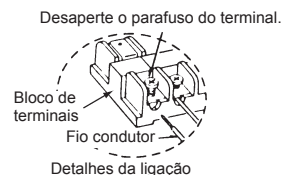
1. Tenha em consideração as condições ambientais (temperatura ambiente, luz directa do sol, água da chuva, etc.) quando estiver a fazer a instalação e as ligações.
2. O tamanho do fio corresponde ao valor mínimo para a instalação de tubulação metálica. O cabo de alimentação deverá ser 1 grau mais espesso, tendo em consideração as quedas de tensão.  
Certifique-se de que a tensão de alimentação não desce abaixo dos 10%.
3. Os requisitos específicos da instalação devem estar em conformidade com as normas técnicas aplicáveis na região.
4. O cabos de alimentação para peças de dispositivos de utilização no exterior não deverão ser mais leves do que um cabo flexível blindado em policloropreno (concepção 60245 IEC57). Por exemplo, utilize cablagem tal como YZW.
5. Instale um fio de terra mais comprido do que os outros cabos.

### ⚠ Aviso:

- Nas ligações, não se esqueça de utilizar fios específicos para que nenhuma força externa seja transmitida às ligações do terminal. Se as ligações não forem feitas firmemente, podem gerar calor ou originar incêndios.
- Não se esqueça de utilizar o tipo apropriado de interruptor de protecção de sobretensão. Note que a sobretensão gerada pode incluir uma certa quantidade de corrente contínua.
- Certifique-se de que instala as tampas do bloco de terminais/painel da unidade exterior com firmeza.  
Se não forem correctamente instaladas, isso pode resultar num incêndio ou num choque eléctrico devido ao pó, água, etc.

### ⚠ Cuidado:

- Tenha muito cuidado para não efectuar ligações incorrectas.
- Aperte bem os parafusos dos terminais para evitar que se desapertem.
- Depois de apertar, puxe os fios ligeiramente para confirmar que não se movem.
- Se o fio de ligação estiver mal ligado ao bloco de terminais, a unidade não funcionará normalmente.
- Alguns locais de instalação podem necessitar de fixação de fio de terra de um disjuntor de fuga de fio de terra. Se não for instalado disjuntor de fugas de fio de terra, é possível haver choques eléctricos.
- Utilize apenas disjuntores e fusíveis com a capacidade prevista. Utilizando fusíveis e fios ou fios de cobre com capacidade a mais, pode causar malformação da unidade ou incêndio.



### IMPORTANTE

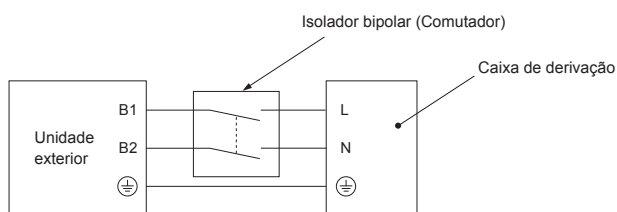
Certifique-se de que o disjuntor de corrente de fuga é compatível com harmónicos mais altos.

Utilize sempre um disjuntor de corrente de fuga que seja compatível com harmónicos mais altos, uma vez que esta unidade está equipada com um inversor. A utilização de um disjuntor inadequado pode provocar o mau funcionamento do inversor.

Nunca una o cabo de alimentação ou o cabo de ligação da unidade interior/unidade exterior - caixa de derivação; caso contrário, pode resultar em fumo, incêndio ou uma falha de comunicação.

### ⚠ Aviso:

- Desligue a fonte de alimentação principal quando pretender fazer qualquer reparação. Além disso, não toque nos terminais B1, B2 quando a corrente estiver ligada. Se tiver de utilizar um isolador entre a unidade exterior e a caixa de derivação/unidade interior e a caixa de derivação, utilize um do tipo bipolar. (Consulte a figura apresentada em seguida.)



### ⚠ Cuidado:




Depois de utilizar o isolador, certifique-se de que desliga e liga a fonte de alimentação principal para reiniciar o sistema. Caso contrário, a unidade exterior poderá não conseguir detectar a(s) caixa(s) de derivação ou as unidades interiores.

Ligue os cabos de ligação da unidade exterior - caixa de derivação/unidade interior - caixa de derivação directamente às unidades (sem ligações intermediárias). As ligações intermediárias podem dar origem a erros de comunicação se entrar água nos cabos e provocar um isolamento insuficiente da ligação à terra ou um mau contacto eléctrico no ponto da ligação intermediária. (Se for necessária uma ligação intermediária, certifique-se de que toma medidas para evitar que entre água para os cabos.)

## 6. Trabalho de electricidade

### 6.5. Definição do endereço

Definição do endereço do comutador

	Exterior	Caixa de Derivação				Interior da série M, S, P	Série CITY MULTI																																					
		Endereço		Definição da Ligação																																								
Comutador	 Dígito das dezenas SWU2 Dígito das unidades SWU1	 Dígito das dezenas SW12 Dígito das unidades SW11	A B C D E - <table border="1" data-bbox="821 302 1029 369"> <tr><td>1</td><td>2</td><td>3</td><td>4</td><td>5</td><td>6</td></tr> </table> SW1	1	2	3	4	5	6	ON (Lig.): Ligação interior OFF (Deslig.): Nenhuma ligação (SW1-6 não utilizados)	Nenhuma	 Dígito das dezenas SW12 Dígito das unidades SW11																																
1	2	3	4	5	6																																							
Intervalo	51 - 100	1 - 50		-	-	1 - 50																																						
Definição	Endereço +50 da unidade interior M-Control ou da caixa de derivação	• De acordo com o endereço definido (por exemplo, 01), os endereços para as unidades interiores ligadas são definidos sequencialmente (por exemplo, 02, 03, 04 e 05). <table border="1" data-bbox="327 537 805 672"> <tr><th>SW1</th><th>1</th><th>2</th><th>3</th><th>4</th><th>5</th></tr> <tr><td>ON</td><td>ON</td><td>ON</td><td>ON</td><td>ON</td><td></td></tr> <tr><th>Porta</th><th>A</th><th>B</th><th>C</th><th>D</th><th>E</th></tr> <tr><td>Endereço</td><td>01</td><td>02</td><td>03</td><td>04</td><td>05</td></tr> </table>		SW1	1	2	3	4	5	ON	ON	ON	ON	ON		Porta	A	B	C	D	E	Endereço	01	02	03	04	05	• Especifique se estão ligadas unidades interiores a cada porta (A, B, C, D e E). <table border="1" data-bbox="821 537 1236 616"> <tr><th>SW1</th><th>1</th><th>2</th><th>3</th><th>4</th><th>5</th><th>(6)</th></tr> <tr><td>Porta</td><td>A</td><td>B</td><td>C</td><td>D</td><td>E</td><td>não utilizada</td></tr> </table> Estão ligadas (ON) unidades interiores. Não estão ligadas (OFF) unidades interiores.		SW1	1	2	3	4	5	(6)	Porta	A	B	C	D	E	não utilizada	Não há definições de endereços para as unidades interiores.
SW1	1	2	3	4	5																																							
ON	ON	ON	ON	ON																																								
Porta	A	B	C	D	E																																							
Endereço	01	02	03	04	05																																							
SW1	1	2	3	4	5	(6)																																						
Porta	A	B	C	D	E	não utilizada																																						

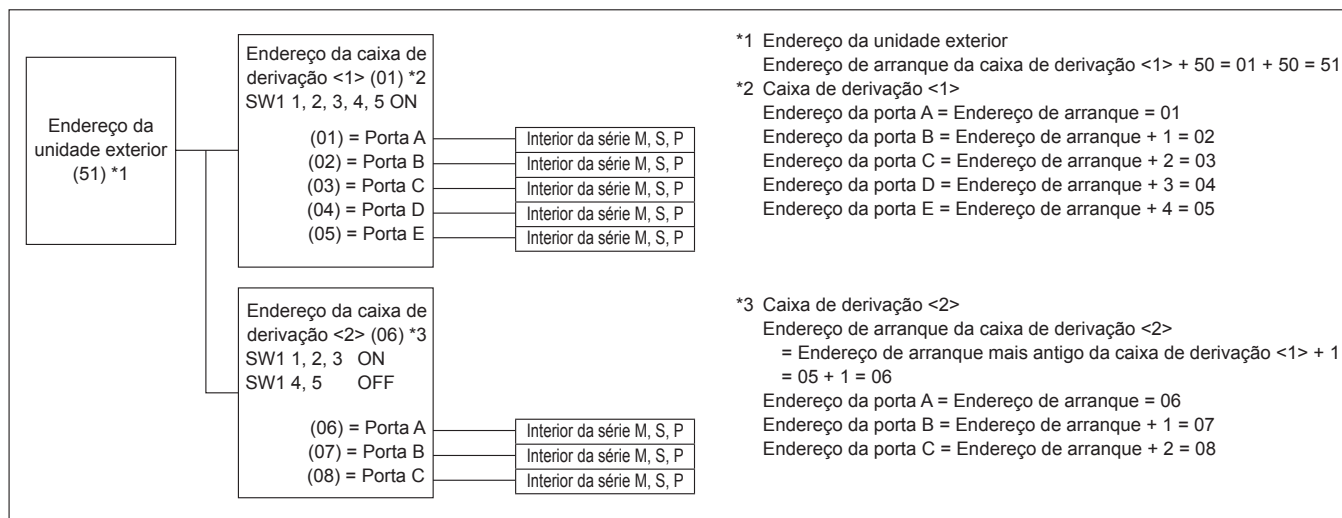
#### Nota: 1. Endereço da caixa de derivação

Quando estiver a definir o endereço, utilize um número dentro do intervalo de 1-50.

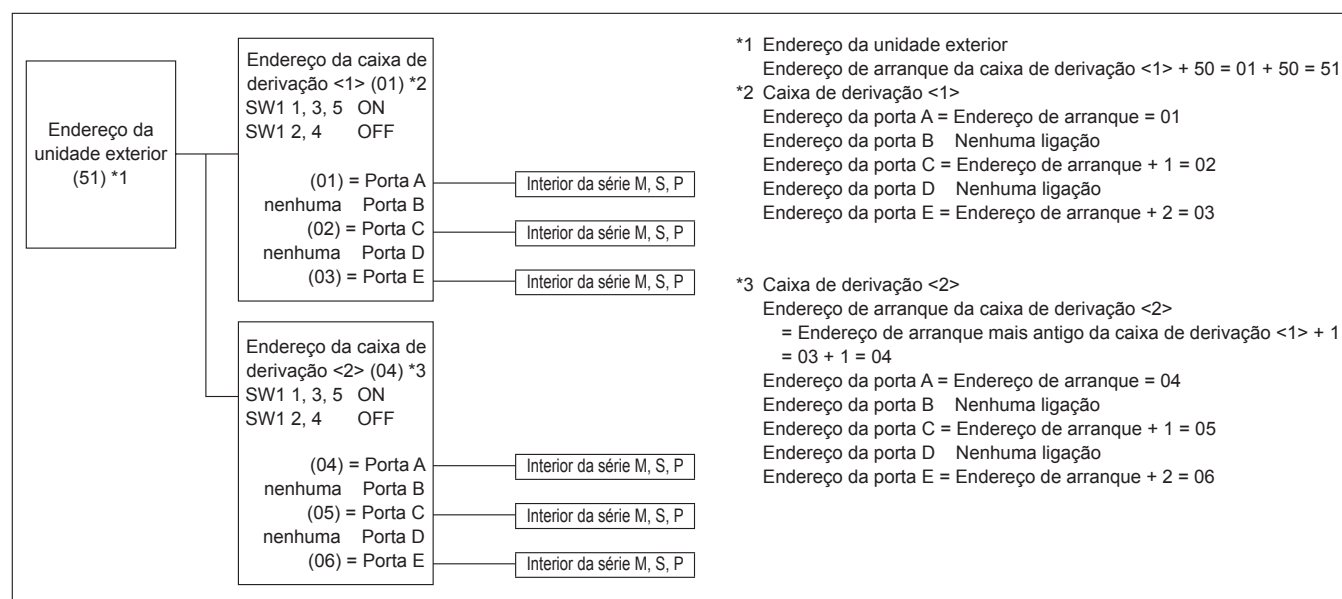
Ex.: O endereço definido é (47) e existem 5 unidades interiores (A, B, C, D e E).

Se A: (47), B: (48), C: (49), D: (50) e E: (51), E está incorrecto porque excede 50.

Ex.1 Unidade exterior + Caixa de derivação <1> (A, B, C, D, E interior da série M, S, P) + Caixa de derivação <2> (A, B, C interior da série M, S, P)

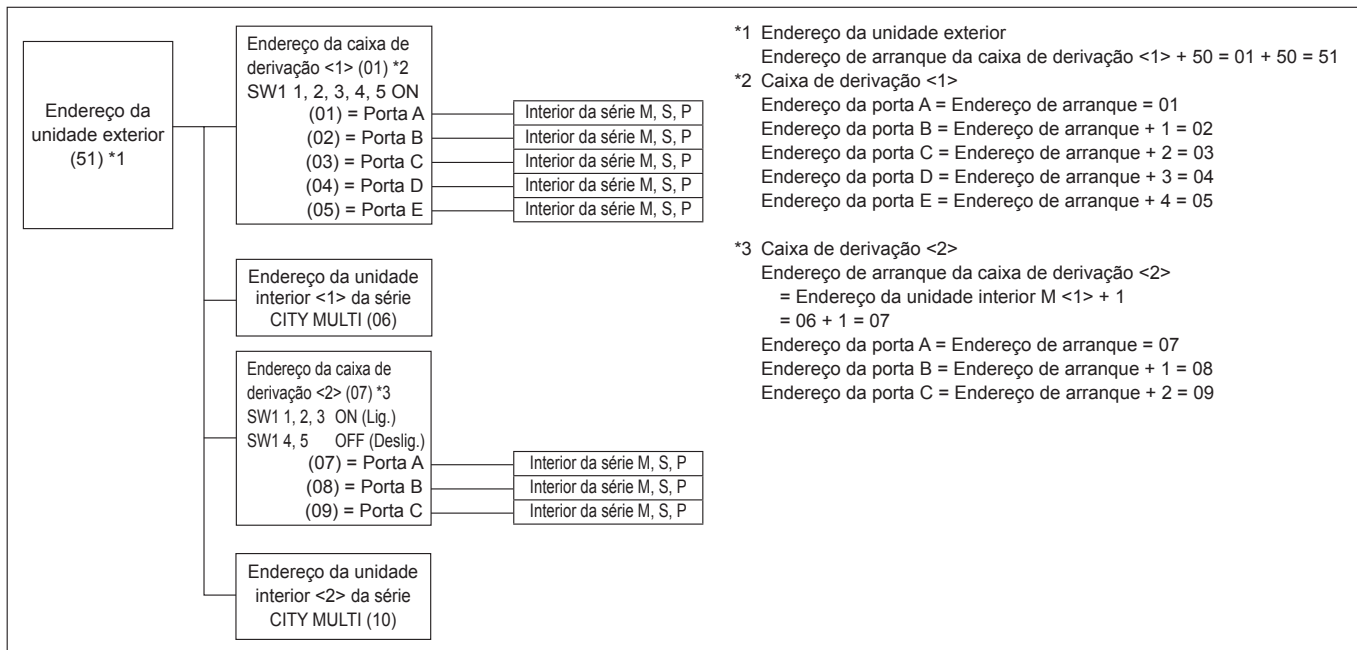


Ex.2 Unidade exterior + Caixa de derivação <1> (A, C, E interior da série M, S, P) + Caixa de derivação <2> (A, C, E interior da série M, S, P)



## 6. Trabalho de electricidade

Ex. 3 Unidade exterior + Caixa de derivação <1> (A, B, C, D, E interior da série M, S, P) + Caixa de derivação <2> (A, B, C interior da série M, S, P) + Interior da série CITY MULTI <1> + Interior da série CITY MULTI <2>





## 7. Ensaio

### 7.1. Antes do ensaio

- ▶ Depois de concluir a instalação, a cablagem e a tubagem das unidades interior e exterior, verifique se não há fugas de refrigerante, maus contactos na fonte de alimentação ou na cablagem de controlo, polaridade errada e se não foi desligada qualquer fase na alimentação.
- ▶ Utilize um megóhmetro de 500 V para verificar se a resistência entre os terminais da fonte de alimentação e a ligação à terra é de, pelo menos, 1 MΩ.
- ▶ Não execute este ensaio nos terminais da cablagem de controlo (circuito de baixa voltagem).

#### ⚠ Aviso:

Não utilize o ar condicionado se a resistência de isolamento for inferior a 1 MΩ.

#### Resistência de isolamento

Após a instalação ou após a fonte de alimentação da unidade ter sido cortada durante um período longo, a resistência de isolamento vai diminuir até menos de 1 MΩ, devido à acumulação de refrigerante no compressor. Este facto não representa uma avaria. Efectue as acções que se seguem.

1. Retire os fios do compressor e meça a resistência de isolamento do mesmo.
2. Se a resistência de isolamento estiver abaixo de 1 MΩ, o compressor está a falhar ou a resistência diminuiu devido à acumulação de refrigerante no compressor.

3. Depois de ligar os fios ao compressor, este começará a aquecer assim que a fonte de alimentação for restituída. Depois de fornecer energia para os períodos indicados abaixo, meça a resistência de isolamento novamente.
  - A resistência de isolamento diminui devido à acumulação de refrigerante no compressor. A resistência irá subir acima de 1 MΩ depois de o compressor ter aquecido durante 12 horas.  
(O tempo necessário para aquecer o compressor varia de acordo com as condições atmosféricas e com a acumulação de refrigerante.)
  - Para que o compressor funcione com acumulação de refrigerante, deve ser aquecido durante pelo menos 12 horas, para evitar avarias.
4. Se a resistência de isolamento subir acima de 1 MΩ, o compressor não está a falhar.

#### ⚠ Cuidado:

- **O compressor só funcionará se a ligação da fase da fonte de alimentação for correcta.**
- **Ligue a electricidade pelo menos 12 horas antes de dar início à operação.**
  - Se começar a operação imediatamente depois de ligar o interruptor principal poderá danificar seriamente peças internas. Mantenha o interruptor ligado durante a estação operacional.

#### ▶ Deverá também ser verificado o seguinte.

- A unidade exterior não está a falhar. O LED no painel de controlo da unidade exterior fica intermitente quando a unidade exterior está a falhar.
- As válvulas de retenção de gás e de líquido estão completamente abertas.

## 7.2. Ensaio

### 7.2.1. Utilização do controlo remoto

Consulte o manual de instalação da unidade interior.

- Assegure-se de que realiza o teste de funcionamento de cada unidade interior. Assegure-se de que cada unidade interior funciona correctamente seguindo o manual de instalação fornecido com a unidade.
- Se realizar o teste de funcionamento para todas as unidades interiores em simultâneo, não conseguirá detectar qualquer ligação errada, caso exista, dos tubos de refrigerante e dos fios de ligação.
- \* O compressor só funciona 3 minutos, ou mais, após ser ligada a alimentação.
- O compressor pode emitir ruído após ser ligada a alimentação ou no caso de uma temperatura reduzida do ar de saída.
- Em função das condições de funcionamento, a ventoinha da unidade exterior poderá parar enquanto o compressor está a funcionar, mas isto não é uma avaria.

### Acerca do mecanismo de protecção contra reinício

Depois de o compressor parar, o dispositivo de prevenção de reinício é activado de modo a que o compressor não funcione durante 3 minutos, no sentido de proteger o aparelho de ar condicionado.

## 7.3. Recuperação de refrigerante (bombagem)

Efectue os seguintes procedimentos de recuperação do refrigerante quando deslocar a unidade interior ou a unidade exterior.

- ① Desligue o disjuntor de circuito.
- ② Ligue o lado de baixa pressão do colector do manómetro à porta de serviço da válvula de paragem de gás.
- ③ Feche a válvula de paragem de líquido.
- ④ Ligue a alimentação (disjuntor de circuito).
  - \* O arranque da comunicação interior-exterior demora cerca de 3 minutos após a ligação da fonte de alimentação (disjuntor). Inicie a operação de bombagem 3 a 4 minutos após a ligação da fonte de alimentação (disjuntor).
- ⑤ Confirme se SW3-2 está colocado em OFF e, em seguida, coloque SW3-1 em ON para realizar o teste de ensaio da operação de refrigeração. O compressor (unidade exterior) e as ventiladores (unidades interior e exterior) começam a funcionar e o teste de ensaio da operação de refrigeração tem início. Imediatamente após a realização do teste de ensaio da operação de refrigeração, mude o interruptor de serviço exterior SW2-4 (interruptor de bombeamento) de OFF para ON.
  - \* Não mantenha a operação durante muito tempo com o interruptor SW2-4 em ON. Certifique-se de que o muda para OFF após a conclusão do bombeamento.

- ⑥ Feche totalmente a válvula de paragem de gás quando a leitura da pressão no manómetro descer 0,05 - 0,00 MPa (aproximadamente 0,5 - 0,0 kgf/cm<sup>2</sup>)
- ⑦ Pare o funcionamento do ar condicionado (SW3-1: OFF). Mude o interruptor de serviço exterior SW2-4 de ON para OFF.
- ⑧ Desligue a alimentação (disjuntor de circuito).
  - \* Se for adicionado demasiado refrigerante ao sistema de ar condicionado, a pressão poderá não descer para 0,05 MPa (0,5 kgf/cm<sup>2</sup>). Se isto acontecer, utilize um colector de refrigerante para recolher todo o refrigerante do sistema e, em seguida, recarregue o sistema com a quantidade correcta de refrigerante depois de as unidades interior e exterior terem sido devidamente reposicionadas.

#### ⚠ Aviso:

**Quando proceder à bombagem do refrigerante, desligue o compressor antes de desligar os tubos de refrigerante. O compressor pode reventar e provocar ferimentos se alguma substância estranha, tal como ar, entrar no sistema.**

# Indholdsfortegnelse

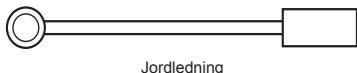
1. Sikkerhedsforanstaltninger.....	178	5. Føring af drænrør.....	190
2. Monteringssted.....	180	6. Elektrisk arbejde.....	190
3. Montering af den udendørs enhed.....	183	7. Afprøvning.....	199
4. Montering af kølemiddelrør.....	183		

## ⚠ Forsigtig:

- Udluft ikke R410A til atmosfæren.

## Kontrol af medfølgende dele

Foruden denne vejledning leveres følgende del med udendørs enheden. Den bruges til jordforbindelse af transmissionsklemkasserne TB7. For yderligere detaljer, skal du læse "6. Elektrisk arbejde".



## 1. Sikkerhedsforanstaltninger

- ▶ Læs alle "Sikkerhedsforanstaltninger", før De installerer enheden.
- ▶ De skal forhøre Dem hos forsyningskilden før tilslutning til systemet.
- ▶ PUMY-P-VKM-serien overholder IEC/EN 61000-3-12
- ▶ PUMY-P-VKM- og PUMY-P-YKME-serien er beregnet til brug i boliger, på kontorer og i miljøer med let industri.
- ▶ PUMY-P-YKM-serien er designet som professionelt udstyr.
- ▶ Brug PUMY-P-YKME4, når en ATW-indendørsenhed (EHST20C- og EHSC-serien) sluttes til en 3-faset model.

### ⚠ Advarsel:

Beskriver sikkerhedsforanstaltninger, der skal træffes, for at undgå personskade eller dødsfald.

### ⚠ Forsigtig:

Beskriver forholdsregler, der skal træffes, for at forhindre at enheden bliver beskadiget.

### ⚠ Advarsel:

- Enheden må ikke installeres af brugeren. Lad en forhandler eller en autoriseret tekniker installere enheden. Hvis enheden ikke installeres korrekt, kan det resultere i vandlækage, elektrisk stød eller brand.
- Dette apparat er beregnet til at blive brugt af en ekspert eller udlært bruger i butikker, belysningsindustrien, på gårde eller af en ikke-faglært person til kommercielt brug.
- Foretag installationen i overensstemmelse med installationsvejledningen, og brug værktøj og rørdel, der er specielt beregnet til anvendelse sammen med R410A kølemiddel. R410A kølemidlet i HFC-systemet er under 1,6 gange højere tryk end sædvanlige kølemidler. Hvis der anvendes rørdel, der ikke er konstrueret til R410A kølemiddel og enheden ikke installeres korrekt, kan rørene sprænges og forårsage beskadigelse eller kvæstelse. Der kan desuden opstå vandlækage, elektrisk stød eller brand.
- For at minimere risikoen for beskadigelse som følge af jordskælv, tyfoner eller kraftigt stormvejr skal enheden installeres ifølge vejledningen. En ukorrekt installeret enhed kan falde ned og forårsage beskadigelse eller kvæstelser.
- Enheden skal monteres fast og sikkert på en underkonstruktion, der kan bære dens vægt. Hvis enheden monteres på en ustabil konstruktion, kan den falde ned og forårsage beskadigelse og kvæstelser.
- Hvis klimaanlægget installeres i et lille rum, skal der tages forholdsregler til at forhindre, at kølemiddelkoncentrationen i rummet overstiger sikkerhedsgrænsen i tilfælde af kølemiddellækage. Kontakt en forhandler mht. de passende forholdsregler til forhindring af, at den tilladte koncentration overskrides. Hvis der opstår lækage af kølemidlet, som forårsager overskridelse af koncentrationsgrænsen, kan der opstå livsfare på grund af manglende ilt i rummet.
- Ventiler rummet hvis der opstår kølemiddellækage under driften. Hvis kølemidlet kommer i kontakt med åben ild, afgives der giftige gasser.
- Alle elinstallationsarbejder skal udføres af en faguddannet elinstallatør og ifølge de lokale bestemmelser og instruktionerne i denne vejledning. Enheden skal forsynes med strøm fra dertil beregnede forsyningsledninger og med den korrekte spænding og korrekte hovedafbrydere. Strømforsyningsledninger med utilstrækkelig kapacitet eller ukorrekt udført elinstallationsarbejde kan medføre elektrisk stød eller brand.
- Brug C1220 kobber-fosfor legering, for sømløse rør af kobber og kobberlegering, til at samle kølemiddelrør. Hvis rørene ikke samles korrekt, bliver enheden ikke ordentligt jordet, hvilket kan resultere i elektrisk stød.
- Brug kun de anviste kabler til kabelføring. Kabelforbindelserne skal være sikre, så der ikke er belastning af terminalforbindelserne. Undgå desuden at sammensplejse kabler til kabelføring (medmindre andet er anvist i dette dokument). Manglende overholdelse af disse instruktioner kan medføre overophedning eller brand.

Efter afslutning af installationsarbejdet skal "Sikkerhedsforanstaltninger", brugen og vedligeholdelsen af enheden forklares for kunden ifølge betjeningsvejledningen. Desuden skal der foretages en testkørsel for at sikre normal funktion. Både installations- og betjeningsvejledningen skal overdrages til brugeren. Disse vejledninger skal gives videre til efterfølgende brugere.

⚡ : Angiver en del, der skal jordforbindes.

### ⚠ Advarsel:

Læs etiketterne på hovedenheden omhyggeligt.

- Klemkassens dæksel på den udvendige enhed skal skrues godt fast. Hvis dækslet monteres ukorrekt og der kommer støv og fugt ind i enheden, kan der opstå elektrisk stød eller brand.
- Ved installation, flytning eller serviceeftersyn af klimaanlægget må der kun anvendes det specificerede kølemiddel (R410A) til fyldning af kølemiddellørene. Det må ikke blandes med nogen anden type kølemiddel, og der må ikke være luft tilbage i rørene. Hvis der blandes luft sammen med kølemidlet, kan det forårsage et unormalt højt tryk i kølemiddelløret og resultere i en eksplosion og andre farlige situationer. Hvis der bruges andre kølemidler end det, der er specificeret for systemet, forårsager det mekanisk driftssvigt eller funktionsfejl i systemet eller nedbrud af enheden. I værste fald kan det føre til en alvorlig hindring for produktsikkerheden.
- Brug kun tilbehør, der er godkendt af Mitsubishi Electric og lad en forhandler eller en autoriseret tekniker installere dem. Hvis tilbehøret ikke installeres korrekt, kan det resultere i vandlækage, elektrisk stød eller brand.
- Der må ikke foretages ændringer på enheden. Lad en forhandler foretage reparationer. Hvis ændringer eller reparationer ikke udføres korrekt, kan det resultere i vandlækage, elektrisk stød eller brand.
- Brugeren bør aldrig forsøge at reparere enheden eller flytte den til en anden placering. Hvis enheden ikke installeres korrekt, kan det resultere i vandlækage, elektrisk stød eller brand. Hvis klimaanlægget skal repareres eller flyttes, skal det udføres af en forhandler eller en autoriseret tekniker.
- Når installationen er afsluttet, kontrolleres for kølemiddellækager. Hvis kølemiddel løber ud i rummet og kommer i kontakt med åben ild (f.eks. flammen på en opvarmingsenhed eller et transportabelt kogeudstyr), vil der opstå giftige gasser.
- Apparatet skal installeres i overensstemmelse med nationale lovbestemmelser for elektrisk installation.
- Hvis forsyningsledningen er beskadiget, skal den udskiftes af producenten, serviceteknikeren eller en lignende kvalificeret person for at undgå fare.

# 1. Sikkerhedsforanstaltninger

## 1.1. Inden installationen

### ⚠ Forsigtig:

- Brug ikke enheden i usædvanlige omgivelser. Hvis klimaanlægget installeres i områder, hvor det udsættes for damp, flygtig olie (inklusive maskinolie), eller svovlholdige gasser, områder med højt saltindhold som f.eks. ved havet, eller områder hvor enheden kan blive dækket af sne, kan ydelsen blive betydeligt nedsat og de indvendige dele kan blive beskadiget.
- Installer ikke enheden på steder, hvor brændbare gasser kan slippe ud, opstå, strømme eller samle sig. Hvis der samler sig brændbare gasser omkring enheden, kan det medføre brand eller eksplosion.

- Udendørs enheden danner kondensvand under opvarmningsdriften. Sørg for at der er afløb omkring den udvendige enhed, hvis denne kondensdannelse kan forårsage skader.
- Hvis enheden installeres i et hospital eller et kommunikationsrum, skal man være forberedt på støj og elektronisk interferens. Omformere, husholdningsapparater, højfrekvent medicinsk udstyr og radiokommunikationsudstyr kan forårsage, at klimaanlægget fungerer forkert eller ødelægges. Klimaanlægget kan også påvirke medicinsk udstyr, kommunikationsudstyr, kvaliteten af skærbilleder og influere på medicinsk behandling.

## 1.2. Inden installation (flytning)

### ⚠ Forsigtig:

- Enhederne skal transporteres med stor forsigtighed. Der skal mindst to personer til at håndtere enheden, da den vejer 20 kg eller mere. Løft ikke i emballagebåndene. Bær beskyttelseshandsker, når enheden flyttes eller tages ud af emballagen, da hænderne kan blive kvæstet af ribberne eller andre dele.
- Sørg for at bortskaffe emballagen efter gældende regler. Emballagematerialer, som f.eks. søm og andre metal- eller trædele kan forårsage rifter eller andre kvæstelser.

- Grundenheden og tilbehør på udendørsenheden skal regelmæssigt kontrolleres for løse forbindelser, revner eller anden skade. Hvis sådanne defekter ikke reparerer, kan enheden falde ned og forårsage skade eller kvæstelser.
- Klimaanlægget må ikke rengøres med vand. Dette kan medføre elektrisk stød.
- Spænd alle brystmøtrikker efter specifikationerne med en momentnøgle. Hvis den spændes for stramt, kan brystmøtrikken knække efter et stykke tid og kølemidlet kan løbe ud.

## 1.3. Inden el-arbejde

### ⚠ Forsigtig:

- Sørg for at installere hovedafbrydere. Hvis de ikke installeres, kan der opstå elektrisk stød.
- Brug standard kabler med tilstrækkelig kapacitet til forsyningsledningerne. Ellers kan der opstå kortslutning, overophedning eller brand.
- Ved installation af forsyningsledningerne må der ikke være træk i kablerne. Hvis tilslutningerne løsnes, kan kablerne springe tilbage eller knække, hvilket kan forårsage overophedning eller brand.

- Sørg for at jordforbinde enheden. Forbind ikke jordledningen til gas- eller vandrør, lynafledere eller telefonjordledninger. Hvis enheden ikke er korrekt jordet, kan det resultere i elektrisk stød.
- Brug mekaniske effektafbrydere (HFI-relæ, hovedafbryder (+B sikring) og effektafbryder i støbt hus) med den specificerede kapacitet. Hvis effektafbryderens kapacitet er større end den specificerede kapacitet, kan det resultere i nedbrud eller brand.

## 1.4. Inden start af testkørsel

### ⚠ Forsigtig:

- Tænd hovedafbryderen mere end 12 timer før start af driften. Hvis driften startes straks efter, at hovedafbryderen er tændt, kan der opstå alvorlige skader på de indvendige dele. Sørg for at hovedafbryderen er tændt i hele driftssæsonen.
- Inden start af driften skal det kontrolleres, at alle paneler, beskyttelsesdæksler og andre beskyttelsesdele er korrekt monteret. Roterende, varme eller højspændings dele kan forårsage kvæstelser.

- Rør ikke ved nogen kontakt med våde eller fugtige hænder. Dette kan medføre elektrisk stød.
- Berør ikke kølemiddelrørene med de bare hænder under driften. Kølemiddelrørene er varme eller kolde afhængig af tilstanden af det gennemstrømmende kølemiddel. Hvis rørene berøres, kan der opstå forbrændinger eller forfrysninger.
- Efter standsning af driften skal der ventes i mindst 5 minutter, inden der slukkes på hovedafbryderen. Ellers kan det resultere i vandlækage eller nedbrud.

## 1.5. Anvendelse af klimaanlæg med R410A kølemiddel

### ⚠ Forsigtig:

- Brug C1220 kobber-fosfor legering, for sømløse rør af kobber og kobberlegering, til at samle kølemiddelrør. Kontrollér at det indvendige af rørene er rene og ikke indeholder skadelige forureninger som f.eks. svovlholdige blandinger, oxidanter, affald eller støv. Brug rør med den specificerede tykkelse. (Se side 183) Bemærk følgende, hvis eksisterende rør, der har været brugt til R22 kølemiddel, genanvendes.
  - Udskift de eksisterende brystmøtrikker og opkrav de opkravede sektioner igen.
  - Anvend ikke tynde rør. (Se side 183)
- Opbevar de rør, der skal anvendes, indendørs og hold begge ender af rørene lukkede indtil lige før lodningen. (Lad knæsamlinger osv. forblive i deres emballage). Hvis der kommer støv, affald eller fugt ind i kølemiddelrørene, kan det medføre forringelse af olien eller nedbrud af kompressoren.
- Brug ester-olie, ether-olie eller alkylbenzen-olie (i lille mængde) som kølemiddelolie til at smøre på de opkravede sektioner. Hvis mineralolie blandes med kølemiddelolien, kan det forringe olien.

- Der må ikke anvendes andre kølemidler end R410A kølemiddel. Hvis der anvendes andre kølemidler, vil klorindholdet forringe olien.
- Brug følgende værktøj, der er specielt beregnet til anvendelse sammen med R410A kølemiddel. Følgende værktøj er nødvendigt ved anvendelse af R410A kølemiddel. Ved spørgsmål kontaktes den nærmeste forhandler.

Værktøj (til R410A)	
Målermanifold	Opkravningsværktøj
Påfyldningsslange	Størrelsesmåler
Gaslækage detektor	Vakuumpumpeadapter
Momentnøgle	Elektronisk kølemiddelpåfyldningsskala

- Sørg for at anvende det korrekte værktøj. Hvis der kommer støv, affald eller fugt ind i kølemiddelrørene, kan det medføre forringelse af kølemiddelolien.
- Anvend ikke en påfyldningscylinder. Hvis der bruges en påfyldningscylinder, vil sammensætningen af kølemidlet blive ændret, hvilket vil nedsætte effektiviteten.

## 2. Monteringssted

### 2.1. Kølerør

Se Fig. 4-1.

### 2.2. Valg af placering af den udvendige enhed

- Undgå placeringer, der er udsat for direkte sollys eller andre varmekilder.
- Vælg en placering, hvor støj fra enheden ikke forstyrrer naboerne.
- Vælg en placering, der tillader nem adgang for rør- og ledningsføring til forsyningskilderne og til indendørs enheden.
- Undgå placeringer, hvor brændbare gasser kan lække, opstå, strømme eller samle sig.
- Vær opmærksom på, at der kan løbe vand fra enheden under driften.
- Vælg en vandret placering, der kan bære vægten af og modstå vibrationer fra enheden.
- Undgå placeringer, hvor enheden kan blive dækket af sne. I områder, hvor der kan forventes kraftigt snefald, skal der tages særlige forholdsregler som f.eks. at hæve placeringen af enheden eller montere en hætte på luftindtaget for at forhindre, at sneen blokerer luftindtaget eller blæser direkte imod det. Dette kan reducere luftstrømmen og medføre fejlfunktion.
- Undgå placeringer, der udsættes for olie, damp eller svovlholdige gasser.
- Brug transporthåndtagene på udendørs enheden, når den skal transporteres. Hvis enheden bæres i bunden, kan hænder eller fingre komme i klemme.

### 2.3. Udvendige mål (Udendørs enhed) (Fig. 2-1)

#### Restriktioner på indendørs installation

Bemærk, at indendørsenheder, der kan tilsluttes til denne udendørsenhed, er følgende modeller.

- Indendørsenheder med modelnumrene 15-140 kan tilsluttes.
- Ved brug af forgreningsboks kan indendørsenheder med modelnumrene 15-100 tilsluttes. Se skema 1 herunder vedrørende mulige kombinationer af rum og indendørsenhed.

#### Verificering

Den nominelle kapacitet fastlægges på basis af nedenstående skema. Antallet af enheder er begrænset som vist i skema 2 herunder. Med henblik på næste trin skal det kontrolleres, at den valgte nominelle kapacitet ligger i området 50% - 130% for udendørsenhedens kapacitet.

- PUMY-P112 6,3 - 16,2 kW
- PUMY-P125 7,1 - 18,2 kW
- PUMY-P140 8,0 - 20,2 kW

Skema 1-1 City Multi-indendørsenheder (P·FY-serien)

Indendørsenhedstype	P15*	P20	P25	P32	P40	P50	P63	P71	P80	P100	P125	P140
Nominel kapacitet (afkøling) (kW)	1,7	2,2	2,8	3,6	4,5	5,6	7,1	8,0	9,0	11,2	14,0	16,0

Skema 1-2 (Serie M, Serie P, Serie S)

Indendørsenhedstype	15	20	22	25	35	42	50	60	71	80	100
Nominel kapacitet (afkøling) (kW)	1,5	2,0	2,2	2,5	3,5	4,2	5,0	6,0	7,1	8,0	10,0

Kombinationer, hvori den samlede kapacitet for indendørsenheder overskrider kapaciteten for udendørsenheden, reducerer afkølingskapaciteten for hver indendørsenhed under deres nominelle afkølingskapacitet. Indendørsenheder kombineres således med en udendørsenhed inden for udendørsenhedens kapacitet, hvis det er muligt.

\* Når alle indendørsenheder er P15-modeller, kan der sluttes 12 indendørsenheder til 1 udendørsenhed.

### 2.4. Tilslutning af en PWFY-enhed

Vær opmærksom på følgende punkter, når en PWFY-enhed anvendes som indendørsenhed, da PWFY-enheden er forskellig fra andre indendørsenheder.

En PWFY-enhed kan ikke tilsluttes inden for EU.

#### 2.4.1. Tilslutningsbegrænsninger

- Kun 1 PWFY-P100VM-E-AU kan tilsluttes. PWFY-P200VM-E-AU og PWFY-P100VM-E-BU kan ikke tilsluttes.

• PWFY-enheden kan ikke være den eneste enhed, der er sluttet til en udendørsenhed. Vælg en udendørsenhed, så den samlede, nominelle kapacitet for indendørsenheden uden PWFY-enheden udgør 50 - 100% af udendørsenhedens kapacitet.

Grænser for den samlede, nominelle kapacitet for indendørsenheden ved tilslutning af en PWFY-enhed

- PUMY-P112 (1 PWFY-enhed + ikke-PWFY-enheder [6,3 - 12,5 kW])
- PUMY-P125 (1 PWFY-enhed + ikke-PWFY-enheder [7,1 - 14,0 kW])
- PUMY-P140 (1 PWFY-enhed + ikke-PWFY-enheder [8,0 - 15,5 kW])

#### 2.4.2. Specifikationer for indendørsenheden

Ved tilslutning af en PWFY-enhed til en PUMY-enhed, ændres følgende specifikationer.

- PWFY-enheden kan kun bruges i opvarmningsfunktion. PWFY-enheden kan ikke bruges i kølefunktion. Andre indendørsenheder end PWFY-enheden kan dog bruges i kølefunktion.
- De andre indendørsenheder kan ikke bruges samtidig med PWFY-enheden.
- Brugen af PWFY-enheden prioriteres. De andre indendørsenheder stopper, når PWFY-enheden er i brug.
- Temperaturindstillingen på fjernbetjeningen er målværdien for vandets udløbstemperatur.

#### 2.4.3. Skift indstillinger (Fig. 2-2)

Indstil DIP-kontakt SW1-1, SW4-2 og SW4-6 på PWFY-enheden til ON ved tilslutning af en PWFY-enhed til en PUMY-enhed.

#### 2.4.4. Afprøvning

Hvis testkørslen udføres med brug af udendørsenhedens kontakter, kører PWFY-enheden ikke. Udfør testkørslen med brug af PWFY-enhedens kontakter eller fjernbetjeningen. Se databogen eller servicevejledningen til PWFY-enheden for at få oplysninger om udførelse af testkørslen.

#### 2.4.5. Opsamling af kølemiddel (nedpumpning)

Trin ① i nedpumpningsproceduren instruerer brugeren om at "lade alle indendørsenheder køre i kølefunktion". PWFY-enheden kan do ikke køre i kølefunktion. Kør alle indendørsenheder undtagen PWFY-enheden i kølefunktion.

(mm)

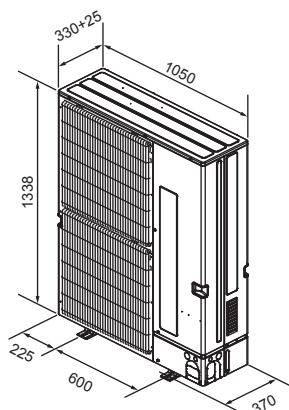


Fig. 2-1

Skema 2 Antal indendørsenheder, der kan tilsluttes

- City Multi-indendørsenheder

P112	1-9 *1
P125	1-10 *2
P140	1-12 *3

\*1 Ved tilslutning af indendørsenheder i M-serien via et tilslutnings sæt kan 10 indendørsenheder tilsluttes.

\*2 Ved tilslutning af indendørsenheder i M-serien via et tilslutnings sæt kan 12 indendørsenheder tilsluttes.

\*3 Hvis alle indendørsenheder er P15-modeller, kan 12 indendørsenheder tilsluttes.

- Forgreningsbokssystem (indendørsenheder i M-, S-, P-serien via forgreningsboks)

P112	2-8
P125	2-8
P140	2-8

- Blandet system (City Multi-indendørsenheder og indendørsenheder i M-, S-, P-serien via forgreningsboks)

	En forgreningsboks		To forgreningsbokse	
	Via forgreningsboks	City Multi-indendørsenhed	Via forgreningsboks	City Multi-indendørsenhed
P112	Maks. 5	Maks. 5*1	Maks. 7	Maks. 3*1
			Maks. 8	Maks. 2*1
P125	Maks. 5	Maks. 5*1	Maks. 8	Maks. 3*1
P140	Maks. 5	Maks. 5*1	Maks. 8	Maks. 3*1

\*1 PKFY-P-VBM-, PFFY-P-VKM- og PFFY-P-VL\*-typerne af indendørsenheder kan ikke bruges i et blandet system.

Skema 3 Specifikationer for PWFY-enheden

Model	PWFY-P100VM-E-AU	
Temp. område for opvarmning	Udendørstemp.	-15 til 21°C (Tørtemperatur), -15 til 15°C (Vådtemperatur)
	Vandindgangstemp.	10 til 45°C
Temp. område for køling	Udendørstemp.	-
	Vandindgangstemp.	-

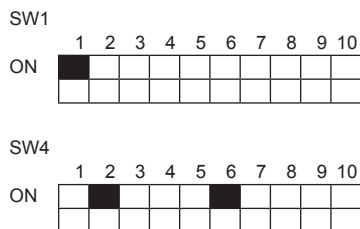


Fig. 2-2

## 2. Monteringssted

### 2.5. Tilslutning af en cylinder (EHST20C) eller hydroboks (EHSC)

Vær opmærksom på følgende punkter, når en cylinder eller hydroboks tilsluttes, da de er forskellige fra andre indendørsenheder.

#### 2.5.1. Tilslutningsbegrænsninger

- Kun 1 cylinder (EHST20C) eller 1 hydroboks (EHSC) kan tilsluttes.  
(EHST20C-MEC-, EHST20D-serien, EHPT20X-serien, EHSD-serien, EHSC-MEC-, ERSD-serien, ERSC-serien og EHPX-serien kan ikke tilsluttes).
- Brug en forgreningsboks PAC-MK32/52BC(B) ved tilslutning af Ecodan-systemer. (En PAC-MK31/51BC(B)-forgreningsboks kan ikke anvendes).
- PWFY-enheder kan ikke tilsluttes på samme tid som en cylinder eller hydroboks.
- ATA-indendørsenheder\*1 med en samlet nominel kapacitet på 50% - 130% af udendørsenhedens kapacitet og 1 cylinder eller 1 hydroboks kan tilsluttes.

\*1 ATA-indendørsenhed: En indendørsenhed uden en PWFY-enhed, cylinderenhed og hydroboksenhed.

PUMY-P112 1 cylinder eller 1 hydroboks + ATA-indendørsenheder [max 16,2 (1,3\*2) kW]

PUMY-P125 1 cylinder eller 1 hydroboks + ATA-indendørsenheder [max 18,2 (2,8\*2) kW]

PUMY-P140 1 cylinder eller 1 hydroboks + ATA-indendørsenheder [max 20,2 (4,3\*2) kW]

\*2 Hvis en cylinder- eller hydroboksenhed bruges i Opvarmningsfunktion/DHW-tilstand samtidig med ATA-indendørsenheder.

Følgende kombinationer kan dog tilsluttes.

· PUMY-P112: MSZ-SF15VE × 1

· PUMY-P125: MSZ-SF15VE × 2

· PUMY-P140: MSZ-SF15VE × 3

#### 2.5.2. Specifikationer for indendørsenheden

Ved tilslutning af en cylinder eller hydroboks ændres følgende specifikationer.

- Cylinderen eller hydroboksen kan ikke bruges i kølefunktion.
- Brugen af cylinderen eller hydroboksen prioriteres altid.
- Økonomitilstanden for DHW-betjeningen kan ikke bruges.
- Den maksimale strømningstemperatur er 55°C. (DIP-kontakten SW1-2 på cylinderen eller hydroboksen skal ændres til OFF).
- Energikontrol kan kun bruges, når en ekstern effektmåler er tilsluttet.
- Der kan ikke kontrolleres mere end én udendørsenhed ad gangen.
- En cylinder eller hydroboks kan ikke tilsluttes til en M-NET-fjernbetjening og et centralt betjeningssystem.
- Kedelblokering kan kun bruges, når der skiftes til udendørstemperatur.
- En cylinder- eller hydroboksenhed kan ikke grupperes med en ATA-indendørsenhed.
- Vær opmærksom på følgende punkter, hvis en cylinder- eller hydroboksenhed bruges i **Opvarmningsfunktion** samtidig med ATA-indendørsenheder.
  - Intervallet for cylinder- eller hydroboksenhedens strømningstemperatur er 45°C - 55°C.
  - Indstil strømningstemperaturintervallet i henhold til installationsvejledningen til cylinderen eller hydroboksen.
  - Udendørstemperaturen skal være -10 °C eller højere. Når udendørstemperaturen er lavere end 7 °C, sænkes strømning- og udblæsningstemperaturen.
- Brug af en cylinder- eller hydroboksenhed i **DHW-tilstand** og brug af en ATA-indendørsenhed samtidig kan kun ske ved en udendørstemperatur på 7°C eller højere. Når udendørstemperaturen er lavere end 7 °C, kan de ikke bruges samtidigt.

#### 2.5.3. Kontaktindstillinger

Når en cylinder eller hydroboks tilsluttes til en PUMY-enhed, skal DIP-kontakten SW1-2 på cylinderen eller hydroboksen indstilles til OFF.

#### 2.5.4. Testkørsel

Udfør testkørslen for cylinderen eller hydroboksen fra indendørsenheden.

(Se installationsvejledningen til cylinderen eller hydroboksen for at få oplysninger om testkørslen).

#### 2.5.5. Opsamling af kølemiddel (nedpumpning)

Udfør procedurene i 7.3.

### 2.6. Tilslutning af en indendørsenhed kun til afkøling

Hvis et system har én eller flere indendørsenheder kun til afkøling, skal hele systemet konfigureres som et kølesystem.

Konfigurer enhederne som angivet i Skema 4.

Skema 4: Konfiguration af enheder kun til afkøling

Enhed		Konfiguration
Udendørsenhed	PUMY-P-V/YKM(E)4	DIP-kontakt SW2-6 på multistyringsprintpladen: ON
Forgreningsboks	PAC-MK-BC(B)	DIP-kontakt SW4-5 på forgreningsboksens styringsprintplade: ON
Indendørsenhed	CITY MULTI-serien	DIP-kontakt SW3-1 på indendørsenhedens styringsprintplade: ON
	M-, S- og P-serien	Konfiguration er ikke nødvendig.

### 2.7. Tilslutning af en PEFY-P-VMA3-E

Ved anvendelse af en PEFY-P-VMA3-E bruges følgende kombinationer for de tilsluttede indendørsenheder.

	PUMY-P112	PUMY-P125	PUMY-P140
OK	PEFY-P25VMA3-E × 2 + PEFY-P32VMA3-E × 2	PEFY-P32VMA3-E × 4	PEFY-P32VMA3-E × 3 + PEFY-P40VMA3-E × 1
NEJ	Alle kombinationer undtagen ovenstående kombinationer Eks. 1: PEFY-P25VMA3-E × 2 + PEFY-P32VMA3-E × 2	Alle kombinationer undtagen ovenstående kombinationer Eks. 1: PEFY-P32VMA3-E × 3 + PEFY-P32VMA3-E × 1	Alle kombinationer undtagen ovenstående kombinationer Eks. 1: PEFY-P32VMA3-E × 3 + PEFY-P40VMA3-E × 1
	Eks. 2: PEFY-P25VMA3-E × 2 + PEFY-P32VMA3-E × 1	Eks. 2: PEFY-P32VMA3-E × 3	Eks. 2: PEFY-P32VMA3-E × 2 + PEFY-P40VMA3-E × 1
	Eks. 3: PEFY-P32VMA3-E × 4 (Kombination til PUMY-P125)	Eks. 3: PEFY-P25VMA3-E × 2 + PEFY-P32VMA3-E × 2 (Kombination til PUMY-P112)	Eks. 3: PEFY-P32VMA3-E × 4 (Kombination til PUMY-P125)
	Eks. 4: PEFY-P25VMA3-E × 2 + PEFY-P32VMA3-E × 2 + MSZ-FH25VE × 1	Eks. 4: PEFY-P32VMA3-E × 3 + PLFY-P20VFM-E × 1 + SEZ-KD25VA × 1	Eks. 4: PEFY-P32VMA3-E × 3 + PCFY-P40VKM-E × 1 + MSZ-SF15VA × 1

Eks. 1: En anden lofts skjult enhed end VMA3-serien er valgt.  
Kombinationer med en anden lofts skjult serie er ikke mulig.  
Eks. 2: Antallet af enheder er forkert.  
Eks. 3: Kombinationen er til en enhed med en anden kapacitet.  
Eks. 4: Kombinationen er ikke en "OK" kombination.

### 2.8. Tilslutning af en PLFY-EP-VEM-E

For PLFY-EP-VEM-E kan der forbindes op til 2 enheder.

Andre indendørsenheder\*1 kan forbindes med den samlede nominelle kapacitet og det maksimale antal forbundne enheder.

\*1 Eksklusive PEFY-P-VMA3-E og PEFY-P-VMH-EF.

## 2. Monteringssted

### 2.9. Plads til ventilation og service

#### 2.9.1. Ved installation af en enkelt udendørs enhed

Der er følgende minimumsmål, bortset fra angivne maks., der betyder maksimumsmål. Se disse henvisninger i hvert enkelt tilfælde.

- ① Kun forhindringer bagved (Fig. 2-3)
- ② Kun forhindringer bagved og ovenover (Fig. 2-4)
  - Brug ikke udblæsningsledepladerne (ekstraudstyr) til luftstrøm opad.
- ③ Kun forhindringer bagved og i siderne (Fig. 2-5)
- ④ Kun forhindringer foran (Fig. 2-6)
  - \* Når der bruges en ledeskærm til luftudledning, er afstanden 500 mm eller derover.
- ⑤ Kun forhindringer foran og bagved (Fig. 2-7)
  - \* Når der bruges en ledeskærm til luftudledning, er afstanden 500 mm eller derover.
- ⑥ Kun forhindringer bagved, i siderne og ovenover (Fig. 2-8)
  - Brug ikke udblæsningsledepladerne (ekstraudstyr) til luftstrøm opad.

#### 2.9.2. Ved installation af flere udendørs enheder

Lad der være 25 mm eller derover mellem enhederne.

- ① Kun forhindringer bagved (Fig. 2-9)
- ② Kun forhindringer bagved og ovenover (Fig. 2-10)
  - Der må ikke installeres mere end tre enheder ved siden af hinanden. Der skal desuden være afstand som vist.
  - Brug ikke udblæsningsledepladerne (ekstraudstyr) til luftstrøm opad.
- ③ Kun forhindringer foran (Fig. 2-11)
  - \* Når der bruges en ledeskærm til luftudledning, er afstanden 1000 mm eller derover.
- ④ Kun forhindringer foran og bagved (Fig. 2-12)
  - \* Når der bruges en ledeskærm til luftudledning, er afstanden 1000 mm eller derover.
- ⑤ Enkelt parallel enhed arrangement (Fig. 2-13)
  - \* Hvis der anvendes en udblæsningsledeplade (ekstraudstyr) til luftstrøm opad, skal den fri afstand være 1000 mm eller mere.
- ⑥ Flere parallelle enheder arrangement (Fig. 2-14)
  - \* Hvis der anvendes en udblæsningsledeplade (ekstraudstyr) til luftstrøm opad, skal den fri afstand være 1500 mm eller mere.
- ⑦ Stabilede enheder arrangement (Fig. 2-15)
  - Enhederne kan stables i op til 2 enheders højde.
  - Der må ikke installeres mere end 2 stablede enheder ved siden af hinanden. Der skal desuden være afstand som vist.

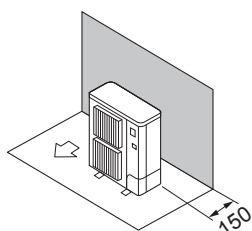


Fig. 2-3

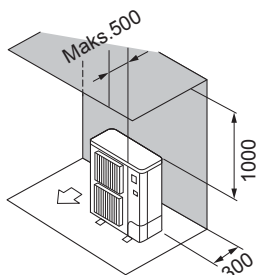


Fig. 2-4

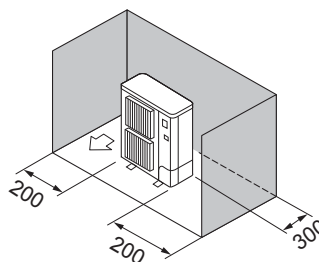


Fig. 2-5

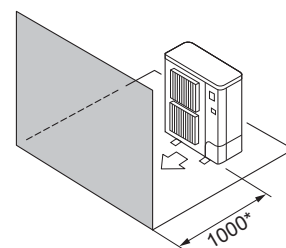


Fig. 2-6

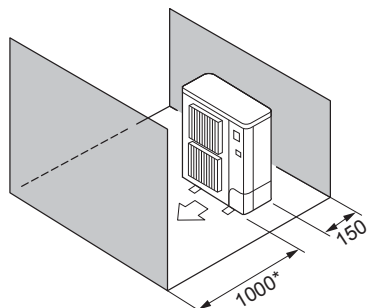


Fig. 2-7

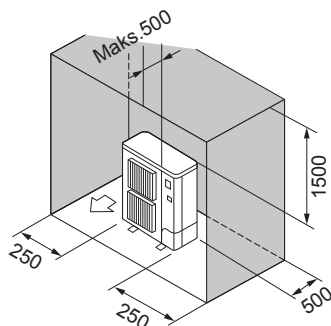


Fig. 2-8

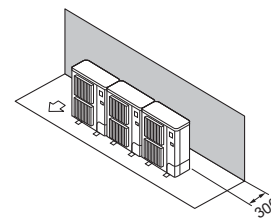


Fig. 2-9

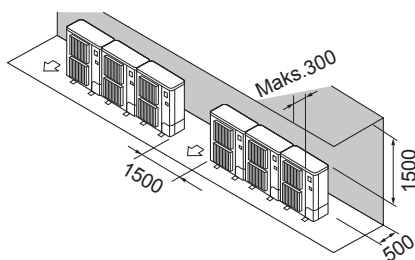


Fig. 2-10

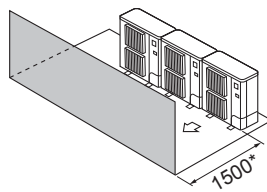


Fig. 2-11

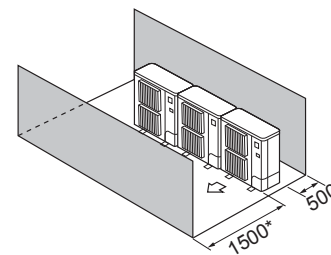


Fig. 2-12

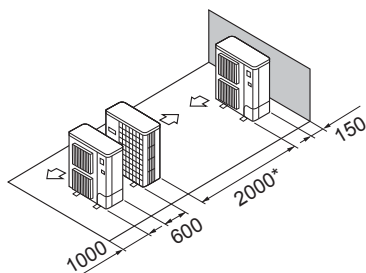


Fig. 2-13

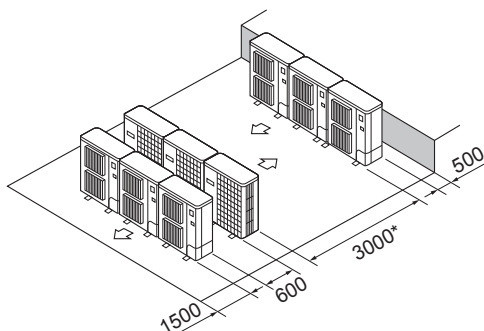


Fig. 2-14

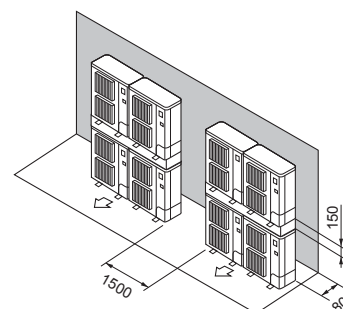


Fig. 2-15

## 2. Monteringssted

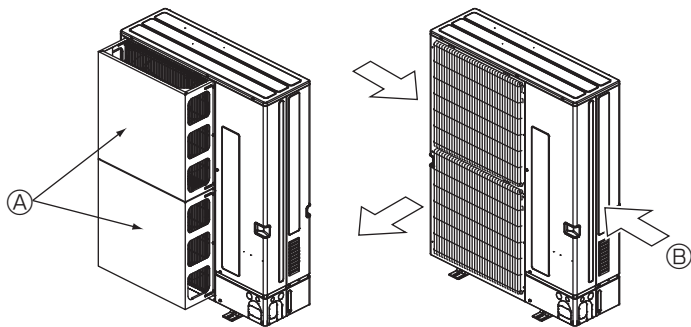


Fig. 2-16

Fig. 2-17

### 2.9.3. Installation på et sted med megen blæst

Hvis udendørs enheden installeres på et tag eller et andet sted, hvor den er ubeskyttet imod blæsten, skal enhedens luftudblæsning anbringes, så den ikke udsættes direkte for kraftig blæst. Hvis stærk blæst kommer ind i luftudblæsningen, kan det hæmme den normale luftstrøm og medføre fejlfunktion.

Herunder vises 2 eksempler på forholdsregler ved kraftig vind.

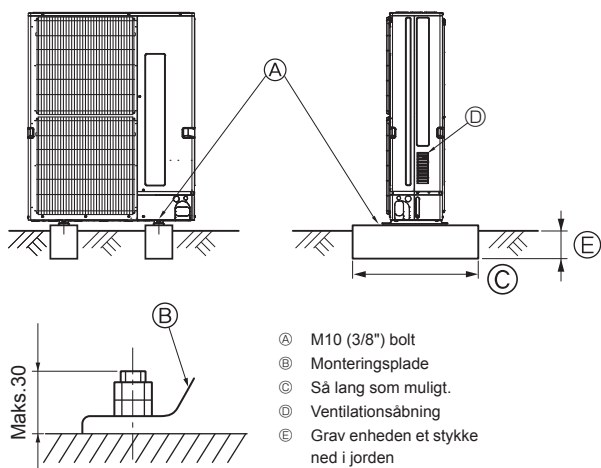
① Monter en luftledeplade (ekstraudstyr), hvis enheden installeres på et sted, hvor kraftig blæst fra stormvejr osv. kan komme direkte ind i luftudblæsningen. (Fig. 2-16)

Ⓐ Luftledeplade

② Anbring om muligt enheden således, at luftudblæsningen blæser vinkelret på den fremherskende vindretning. (Fig. 2-17)

Ⓑ Vindretning

## 3. Montering af den udendørs enhed



(mm)

• Enheden skal monteres på en solid, plan overflade for at forhindre raslelyde under anvendelsen. (Fig. 3-1)

<Specifikationer for fundament>

Fundamentbolt	M10 (3/8")
Betontykkelse	120 mm
Boltlængde	70 mm
Belastningskapacitet	320 kg

• Kontroller at fundamentboltene er mindre end 30 mm fra monteringspladens bund.  
• Fastgør monteringspladen omhyggeligt med fire M10-fundamentbolte på solide steder.

#### Installation af udendørs enheden

• Sørg for ikke at blokere ventilationsåbningen. Hvis ventilationsåbningen blokeres, vil driften blive forhindret og der kan opstå nedbrud.  
• Udover enhedens underdel kan man om nødvendigt anvende installationshullerne på bagsiden, der er beregnet til ledninger mm., til installation af enheden. Brug selvskærende skrue (ø5 × 15 mm eller mindre) og monter på stedet.

#### ⚠ Advarsel:

• Enheden skal monteres fast og sikkert på en underkonstruktion, der kan bære dens vægt. Hvis enheden monteres på en ustabil konstruktion, kan den falde ned og forårsage beskadigelse og kvæstelser.  
• For at minimere risikoen for beskadigelse som følge af jordskælv, tyfoner eller kraftigt stormvejr skal enheden installeres ifølge vejledningen. En ukorrekt installeret enhed kan falde ned og forårsage beskadigelse eller kvæstelser.

#### ⚠ Forsigtig:

• Monter enheden på en fast struktur, så kraftig driftslyd og vibration undgås.

Fig. 3-1

## 4. Montering af kølemiddelrør

### 4.1. Forholdsregler for apparater der anvender R410A kølemiddel

• Se side 179 for forholdsregler, der ikke er angivet nedenfor, vedrørende anvendelse af klimaanlæg med R410A kølemiddel.  
• Brug ester-olie, ether-olie eller alkylbenzen-olie (i lille mængde) som kølemiddellolie til at smøre på de opkravede sektioner.  
• Brug C1220 kobber-fosfor legering, for sømløse rør af kobber og kobberlegering, til at samle kølemiddelrør. Brug kølemiddelrør med den tykkelse, der er angivet i skemaet nedenfor. Kontrollér at det indvendige af rørene er rene og ikke indeholder skadelige forureninger som f.eks. svovlholdige blandinger, oxidanter, affald eller støv.

#### ⚠ Advarsel:

Ved installation, flytning eller serviceeftersyn af klimaanlægget må der kun anvendes det specificerede kølemiddel (R410A) til fyldning af kølemiddelrørene. Det må ikke blandes med nogen anden type kølemiddel, og der må ikke være luft tilbage i rørene.

Hvis der blandes luft sammen med kølemidlet, kan det forårsage et unormalt højt tryk i kølemiddelrøret og resultere i en eksplosion og andre farlige situationer. Hvis der bruges andre kølemidler end det, der er specificeret for systemet, forårsager det mekanisk driftssvigt eller funktionsfejl i systemet eller nedbrud af enheden. I værste fald kan det føre til en alvorlig hindring for produkt-sikkerheden.

ø6,35, ø9,52, ø12,7	Tykkelse 0,8 mm
ø15,88	Tykkelse 1,0 mm

• Anvend ikke rør med mindre tykkelse end angivet ovenfor.  
• De tykkelser, der står anført i ovenstående tabel, er baseret på japanske standarder. Brug rør med et maksimalt driftstryk på 4,15 MPa [601 PSIG] eller højere ifølge lokale standarder.

## 4. Montering af kølemiddelrør

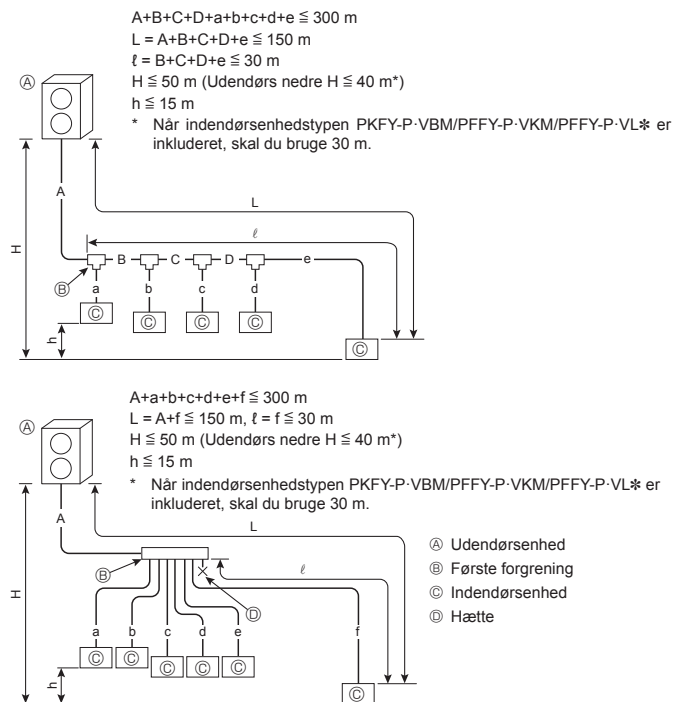


Fig. 4-1

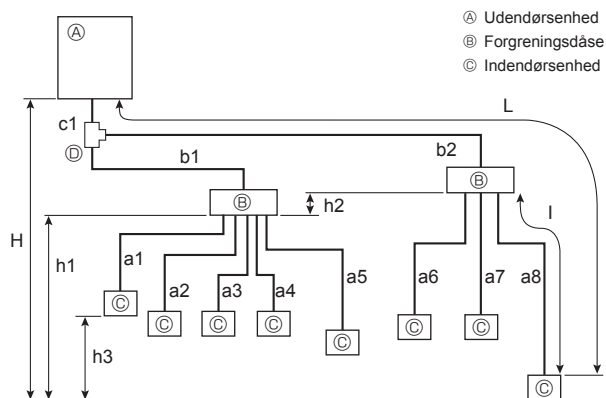


Fig. 4-2

Tilladelige længde (envejs)	Samlet rørlængde	$c1 + b1 + b2 + a1 + a2 + a3 + a4 + a5 + a6 + a7 + a8 \leq 150$ m
	Længste rørlængde (L)	$c1 + b2 + a8 \leq 80$ m
	Rørlængde mellem udendørsenhed og forgrening	$c1 + b1 + b2 \leq 55$ m
	Fjerneste forgrening i forhold til første samling (b2)	$b2 \leq 30$ m
	Længste rørlængde efter forgrening (I)	$a8 \leq 25$ m
Tilladelige højde (envejs)	Samlet rørlængde mellem forgrening og indendørsenheder	$a1 + a2 + a3 + a4 + a5 + a6 + a7 + a8 \leq 95$ m
	I indendørs-/udendørsafsnit (H)*1	$H \leq 50$ m (I tilfælde af at udendørsenheden er indstillet højere end indendørsenheden) $H \leq 40$ m (I tilfælde af at udendørsenheden er indstillet lavere end indendørsenheden)
	I forgrening-/indendørsafsnit (h1)	$h1 + h2 \leq 15$ m
	I hver forgrening (h2)	$h2 \leq 15$ m
Antal krumninger	I hver indendørsenhed (h3)	$h3 \leq 12$ m
		$ c1 + b1 + a1 ,  c1 + b1 + a2 ,  c1 + b1 + a3 ,  c1 + b1 + a4 ,  c1 + b1 + a5 ,  c1 + b2 + a6 ,  c1 + b2 + a7 ,  c1 + b2 + a8  \leq 15$

\*1 Forgrening skal placeres på niveauet mellem udendørsenheden og indendørsenhederne.

## 4.2. Rørlængde og højdeforskel

### 4.2.1. Tilslutning uden forgrening (Fig. 4-1)

A	(mm)	
	A Væskerør	B Gasrør
PUMY-P112-140	ø9,52	ø15,88

B, C, D	(mm)	
	A Væskerør	B Gasrør
Samlet kapacitet for indendørsenheder	ø9,52	ø15,88

a, b, c, d, e, f	(mm)	
	A Væskerør	B Gasrør
Modelnummer	ø6,35	ø12,7
63, 80, 100, 125, 140	ø9,52	ø15,88

E Model med forgreningssæt
CMY-Y62-G-E

F 4-Forgrening	G 8-Forgrening
CMY-Y64-G-E	CMY-Y68-G-E

\* Når du tilslutter TILSLUTNINGSSÆTTET (PAC-LV11M-J) og en indendørsenhed i M-serien, skal du se installationsmanualen til TILSLUTNINGSSÆTTET, når du vælger rørstørrelsen og længden på rørsystemet.

### 4.2.2. Tilslutning med forgrening (Fig. 4-2)

- Denne enhed har tragtformede forbindelser på alle indendørsenheder og forgreningssæts samt udendørsenhedens side.
- Afmonter udendørsenhedens ventildæksel, og tilslut derefter røret.
- Kølemiddelrør bruges til at tilslutte forgreningssæts og udendørsenheden.



## 4. Montering af kølemiddelrør

### 4.2.3. Blandet system (City Multi-indendørsenheder og indendørsenheder i M-, S-, P-serien via forgreningsboks) (Fig. 4-3)

#### 1. Ved brug af bokse med 1 forgrening

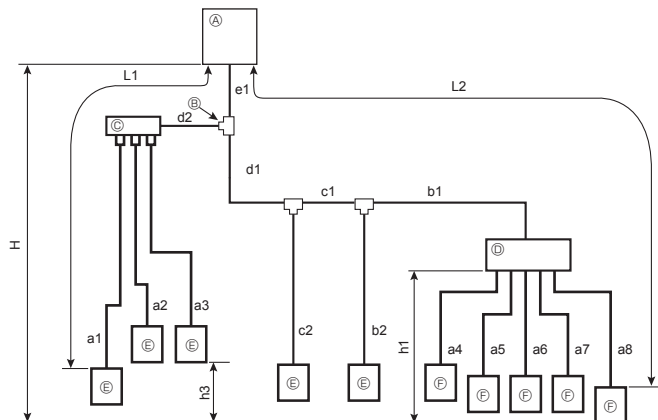


Fig. 4-3 (a)

- Ⓐ Udendørsenhed
  - Ⓑ Første samling
  - Ⓒ Forgreningsmanifold (CMY)
  - Ⓓ Forgreningsboks (PAC-MK-BC(B))
  - Ⓔ City Multi-indendørsenhed\*
  - Ⓕ Indendørsenhed i M-, S-, P-serien, cylinderenhed eller hydroboksenhed
- \* PKFY-P-VBM-, PFFY-P-VKM- og PFFY-P-VL\*-typerne af indendørsenheder kan ikke bruges i et blandet system.

Tilladt længde (envejs)	Samlet rørlængde	$e1 + d1 + d2 + c1 + c2 + b1 + b2 + a1 + a2 + a3 + a4 + a5 + a6 + a7 + a8 \leq 300 \text{ m}^*3$
	Fjerneste rørlængde (L1)	$e1 + d2 + a1$ eller $e1 + d1 + c1 + b2 \leq 85 \text{ m}$
	Fjerneste rørlængde. Via forgreningsboks (L2)	$e1 + d1 + c1 + b1 + a8 \leq 80 \text{ m}$
	Rørlængde mellem udendørsenhed og forgreningsboks	$e1 + d1 + c1 + b1 \leq 55 \text{ m}$
	Fjerneste rørlængde fra første samling	$d1 + c1 + b1, d1 + c1 + b2, d1 + c2$ eller $d2 + c1 \leq 30 \text{ m}$
	Fjerneste rørlængde efter forgreningsboks	$a8 \leq 25 \text{ m}$
	Samlet rørlængde mellem forgreningsbokse og indendørsenheder	$a4 + a5 + a6 + a7 + a8 \leq 95 \text{ m}$
Tilladt højdeforskel (envejs)	I indendørs-/udendørsafsnit (H) *2	$H \leq 50 \text{ m}$ (i tilfælde af at udendørsenheden er indstillet højere end indendørsenheden) $H \leq 40 \text{ m}$ (i tilfælde af at udendørsenheden er indstillet lavere end indendørsenheden)
	I forgreningsdåse-/indendørsenhedsafsnit (h1)	$h1 \leq 15 \text{ m}$
	I hver indendørsenhed (h3)	$h3 \leq 12 \text{ m}$
	Antal krumninger	$ e1 + d2 + a1 ,  e1 + d2 + a2 ,  e1 + d2 + a3 ,  e1 + d1 + c2 ,  e1 + d1 + c1 + b2 ,  e1 + d1 + c1 + b1 + a4 ,  e1 + d1 + c1 + b1 + a5 ,  e1 + d1 + c1 + b1 + a6 ,  e1 + d1 + c1 + b1 + a7 ,  e1 + d1 + c1 + b1 + a8  \leq 15$

\*2: Forgreningsdåsen skal placeres på niveauet mellem udendørsenheden og indendørsenhederne.

\*3: Når en cylinderenhed eller hydroboksenhed er tilsluttet, er den maksimale rørlængde 150 m.

#### 2. Ved brug af bokse med 2 forgreninger

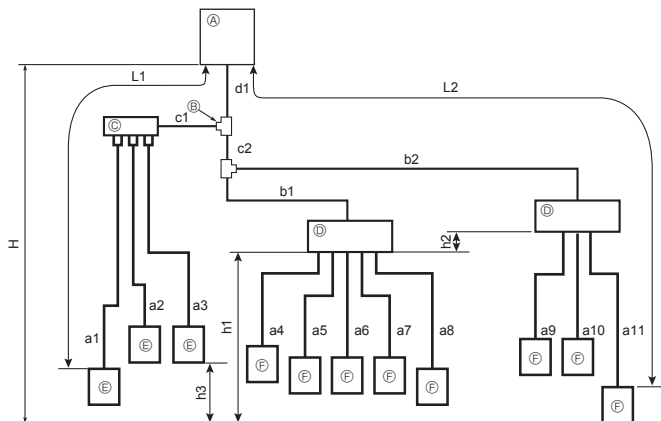


Fig. 4-3 (b)

- Ⓐ Udendørsenhed
  - Ⓑ Første samling
  - Ⓒ Forgreningsmanifold (CMY)
  - Ⓓ Forgreningsboks (PAC-MK-BC(B))
  - Ⓔ City Multi-indendørsenhed\*
  - Ⓕ Indendørsenhed i M-, S-, P-serien, cylinderenhed eller hydroboksenhed
- \* PKFY-P-VBM-, PFFY-P-VKM- og PFFY-P-VL\*-typerne af indendørsenheder kan ikke bruges i et blandet system.

Tilladt længde (envejs)	Samlet rørlængde	$d1 + c1 + c2 + b1 + b2 + a1 + a2 + a3 + a4 + a5 + a6 + a7 + a8 + a9 + a10 + a11 \leq 240 \text{ m}^*3$
	Fjerneste rørlængde (L1)	$d1 + c1 + a1 \leq 85 \text{ m}$
	Fjerneste rørlængde. Via forgreningsboks (L2)	$d1 + c2 + b2 + a11 \leq 80 \text{ m}$
	Rørlængde mellem udendørsenhed og forgreningsboks	$d1 + c2 + b1 + b2 \leq 55 \text{ m}$
	Fjerneste rørlængde fra første samling	$c2 + b2$ eller $c1 + a1 \leq 30 \text{ m}$
	Fjerneste rørlængde efter forgreningsboks	$a11 \leq 25 \text{ m}$
	Fjerneste forgreningsboks fra udendørsenhed	$d1 + c2 + b2 \leq 55 \text{ m}$
	Samlet rørlængde mellem forgreningsbokse og indendørsenheder	$a4 + a5 + a6 + a7 + a8 + a9 + a10 + a11 \leq 95 \text{ m}$
Tilladt højdeforskel (envejs)	I indendørs-/udendørsafsnit (H) *2	$H \leq 50 \text{ m}$ (i tilfælde af at udendørsenheden er indstillet højere end indendørsenheden) $H \leq 40 \text{ m}$ (i tilfælde af at udendørsenheden er indstillet lavere end indendørsenheden)
	I forgreningsdåse-/indendørsenhedsafsnit (h1+h2)	$h1 + h2 \leq 15 \text{ m}$
	I hver forgreningsenhed (h1)	$h2 \leq 15 \text{ m}$
	I hver indendørsenhed (h3)	$h3 \leq 12 \text{ m}$
Antal krumninger	$ d1 + c1 + a1 ,  d1 + c1 + a2 ,  d1 + c1 + a3 ,  d1 + c2 + b1 + a4 ,  d1 + c2 + b1 + a5 ,  d1 + c2 + b1 + a6 ,  d1 + c2 + b1 + a7 ,  d1 + c2 + b1 + a8 ,  d1 + c2 + b2 + a9 ,  d1 + c2 + b2 + a10 ,  d1 + c2 + b2 + a11  \leq 15$	

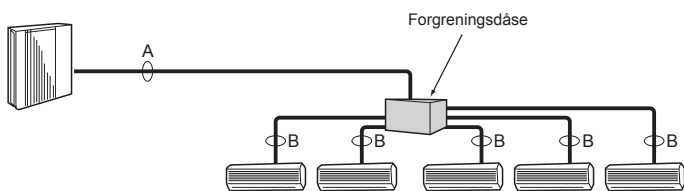
\*2: Forgreningsdåsen skal placeres på niveauet mellem udendørsenheden og indendørsenhederne.

\*3: Når en cylinderenhed eller hydroboksenhed er tilsluttet, er den maksimale rørlængde 150 m.

## 4. Montering af kølemiddelrør

### ■ Ved brug af forgreningsdåser med 1 gren

Tragtformet forbindelse anvendt. (Ingen hårdlodning)



### ■ Ved brug af forgreningsdåser med 2 grene

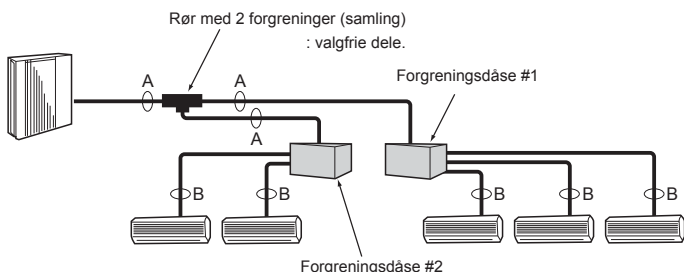


Fig. 4-4

#### (1) Ventilstørrelse til udendørsenhed

Til væske	ø9,52 mm
Til gas	ø15,88 mm

#### (2) Ventilstørrelse til forgreningsdåse

ENHED	Rørtype	Størrelse
A ENHED	Væskerør	ø6,35 mm
	Gasrør	ø9,52 mm
B ENHED	Væskerør	ø6,35 mm
	Gasrør	ø9,52 mm
C ENHED	Væskerør	ø6,35 mm
	Gasrør	ø9,52 mm
D ENHED	Væskerør	ø6,35 mm
	Gasrør	ø9,52 mm
E ENHED	Væskerør	ø6,35 mm
	Gasrør	ø12,7 mm

\* Type med 3 forgreninger: Kun enhederne A, B, C

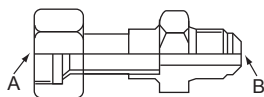


Fig. 4-5

#### Konverteringsformel

1/4 F	ø6,35
3/8 F	ø9,52
1/2 F	ø12,7
5/8 F	ø15,88
3/4 F	ø19,05



Fig. 4-6

## 4.3. Valg af rørstørrelse

### 4.3.1. Tilslutning uden forgreningsboks

		Indendørs enhed		Udendørs enhed
		15-50	63-140	112-140
Gasside	Rørstørrelse (mm)	ø12,7	ø15,88	ø15,88
Væskeside	Rørstørrelse (mm)	ø6,35	ø9,52	ø9,52

### 4.3.2. Tilslutning med forgreningsboks (Fig. 4-4)

	A	B
Væske (mm)	ø9,52	Størrelsen på rørens samling varierer efter typen og kapaciteten af indendørsenhederne. Match forgreningsdåsens rørsamlingsstørrelse med indendørsenheden. Hvis størrelsen på forgreningsdåsens rørsamling ikke matcher indendørsenhedens rørsamling, skal der bruges (deformerede) samlinger med en anden diameter (ekstraudstyr) på forgreningsdåsesiden. (Tilslut deformerede samlinger direkte til forgreningsdåsesiden).
Gas (mm)	ø15,88	

### Samling med anden diameter (ekstraudstyr) (Fig. 4-5)

Modelnavn	Diameter af tilsluttede rør mm	Diameter A mm	Diameter B mm
MAC-A454JP	ø9,52 → ø12,7	ø9,52	ø12,7
MAC-A455JP	ø12,7 → ø9,52	ø12,7	ø9,52
MAC-A456JP	ø12,7 → ø15,88	ø12,7	ø15,88
PAC-493PI	ø6,35 → ø9,52	ø6,35	ø9,52
PAC-SG76RJ-E	ø9,52 → ø15,88	ø9,52	ø15,88

### Samling med anden diameter (ekstraudstyr) (Fig. 4-6)

Modelnavn	Diameter af tilsluttede rør	Udvendig diameter A mm	Indvendig diameter B mm
	mm		
PAC-SG78RJB-E	ø9,52 → ø12,7	ø9,52	ø12,7
PAC-SG79RJB-E	ø12,7 → ø9,52	ø12,7	ø9,52
PAC-SG80RJB-E	ø12,7 → ø15,88	ø12,7	ø15,88
PAC-SG77RJB-E	ø6,35 → ø9,52	ø6,35	ø9,52
PAC-SG76RJB-E	ø9,52 → ø15,88	ø9,52	ø15,88

### Forbehandling af rør

① Tabellen herunder viser specifikationerne for de rør, der er tilgængelige i handelen.

Udvendig diameter mm	Isoleringsdykkelse mm	Isoleringsmateriale
9,52	8	
12,7	8	
15,88	8	

② Sørg for, at de 2 kølemiddelrør er isoleret for at forhindre kondensdannelse.

③ Kølemiddelrørets rundingsradius skal være 100 mm eller derover.

### ⚠ Forsigtig:

Sørg for at bruge isoleringen af den specificerede tykkelse. For stor tykkelse kan forårsage forkert installation af indendørsenheden og forgreningsdåsen, og manglende tykkelse kan forårsage dugdryp.

Rør med 2 forgreninger (samling): Ekstraudstyr (alt efter tilslutningsmetoden kan der vælges en favorit).

Modelnavn	Tilslutningsmetode
MSDD-50AR-E	tragt
MSDD-50BR-E	hårdlodning

### ■ Installationsprocedure (rør med 2 forgreninger (samling))

Se installationsvejledningerne til MSDD-50AR-E og MSDD-50BR-E.

### ■ Rørstørrelse (udendørsenhed-forgreningsdåse)

	A Væskerør	B Gasrør
PUMY-P112-140	ø9,52	ø15,88

### ■ Rørstørrelse (forgreningsdåse-indendørsenhed)

Tilfældet ved M-serien eller indendørsenheder i S-serien \*1

Indendørsenhedsserie	Modelnummer	A Væskerør	B Gasrør
M-serie eller S-serie	15-42	ø6,35	ø9,52
	50	ø6,35	ø12,7
	60	ø6,35	ø15,88
	71-80	ø9,52	ø15,88
P-serie	35, 50 *2	ø6,35	ø12,7
	60-100	ø9,52	ø15,88
Cylinderenhed	-	ø9,52	ø15,88
Hydroboksenhed	-	ø9,52	ø15,88

\*1 Opstillingen af en tilslutningsklar indendørsenhed afhænger af distriktet/området/landet.

\*2 Ved anvendelse af P-serie indendørsenhed type 35 eller 50, skal den brystmøtrik, der er monteret på indendørsenheden, anvendes.

Brug ikke brystmøtrikken ekstraudstyr til indendørsenheden. Hvis den bruges, kan der opstå gaslækage eller endda udtrækning af røret.

## 4. Montering af kølemiddelrør

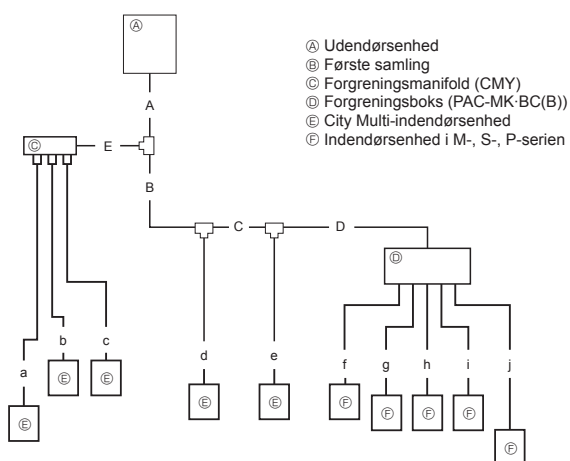


Fig. 4-7

### 4.3.3. Blandet system (City Multi-indendørsenheder og indendørsenheder i M-, S-, P-serien via førgreningsboks) (Fig. 4-7)

#### Rørstørrelse

A, B, C, D, E

	A Væskerør	B Gasrør
PUMY-P112-140	ø9,52	ø15,88

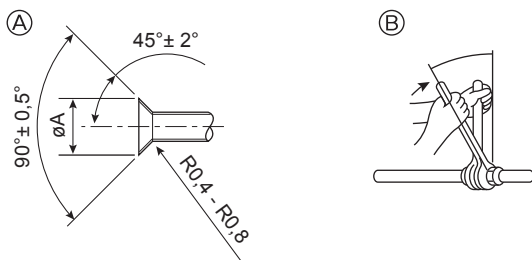
a, b, c~j

Indendørsenhedsserie	Modelnummer	A Væskerør	B Gasrør
City Multi	15~50	ø6,35	ø12,7
	63~140	ø9,52	ø15,88
M-serie eller S-serie	15~42	ø6,35	ø9,52
	50	ø6,35	ø12,7
	60	ø6,35	ø15,88
	71~80	ø9,52	ø15,88
P-serie	35, 50 *1	ø6,35	ø12,7
	60~100	ø9,52	ø15,88
Cylinderenhed	–	ø9,52	ø15,88
Hydroboksenhed	–	ø9,52	ø15,88

Samling med 2 førgreninger	CMY-Y62-G-E
Samling med 4 førgreninger	CMY-Y64-G-E
Samling med 8 førgreninger	CMY-Y68-G-E

\*1 Ved anvendelse af P-serie indendørsenhed type 35 eller 50, skal den brystmøtrik, der er monteret på indendørsenheden, anvendes. Brug ikke brystmøtrikken ekstraudstyr til indendørsenheden. Hvis den bruges, kan der opstå gaslækage eller endda udtrækning af røret.

## 4. Montering af kølemiddelrør



- Ⓐ Skæremål for kraver  
Ⓑ Tilspændingsmoment for omløbermøtrik

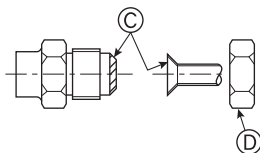


Fig. 4-8

- Ⓐ (Fig. 4-8)

Kobberrør udv. dia (mm)	Kravemål ØA-mål (mm)
Ø6,35	8,7 - 9,1
Ø9,52	12,8 - 13,2
Ø12,7	16,2 - 16,6
Ø15,88	19,3 - 19,7

- Ⓑ (Fig. 4-8)

Kobberrør udv. dia (mm)	Omløbermøtrik, udv. dia. (mm)	Tilspændingsmoment (N·m)
Ø6,35	17	14 - 18
Ø6,35	22	34 - 42
Ø9,52	22	34 - 42
Ø12,7	26	49 - 61
Ø12,7	29	68 - 82
Ø15,88	29	68 - 82
Ø15,88	36	100 - 120

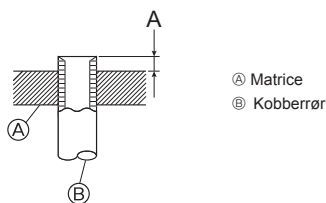
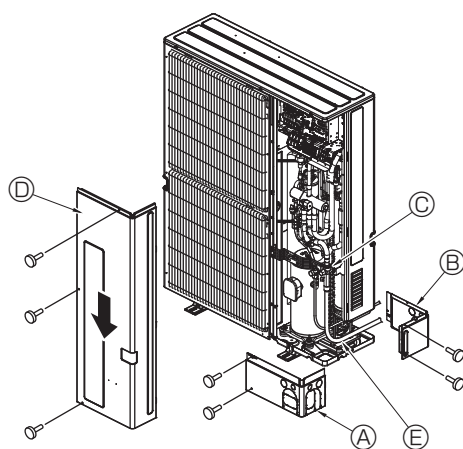


Fig. 4-9



- Ⓐ Frontdæksel til rørføring  
Ⓑ Rørføringdæksel  
Ⓒ Stopventil  
Ⓓ Servicepanel  
Ⓔ Remradius: 100 - 150 mm

Fig. 4-10

### 4.4. Forbindelsesrør (Fig. 4-8)

- Udfør tilstrækkeligt antikondenserings- og isoleringsarbejde for at forhindre vand i at dryppe fra kølerørssystemet. (væskerør/gasrør)
- Øg mængden af isolering alt efter det miljø, hvor kølerørssystemet er installeret, da der ellers kan forekomme kondensering på isoleringsmaterialets overflade. (Isoleringsmaterialets varmebestandighed: 120°C. Tykkelse: 15 mm eller mere)
  - \* Når kølerørssystemet bruges på lokaliteter, hvor der forekommer høje temperaturer og høj luftfugtighed, f.eks. på lofter, kan yderligere isolering være nødvendig.
- For at isolere kølerørssystemet skal du påføre varmebestandigt polyethylenskum mellem indendørsenheden og isoleringsmaterialet samt nettet mellem isoleringsmaterialet, så alle huller udfyldes. (Kondensering, der opstår på rørsystemet, kan resultere i kondensering i rummet eller forbrændinger ved kontakt med rørsystemet).
- De indendørs dele af drænrøret skal pakkes ind i isoleringsmateriale af polyethylenskum (massefylde på 0,03, tykkelse på 9 mm eller derover).
- Kom et tyndt lag køleolie på rør og samlingsoverflade, før stramning af brystmøtrikken. Ⓐ
- Anvend til skruenøgler til at spænde rørforbindelserne. Ⓑ
- Anvend en lækagedetektor eller sæbevand til at kontrollere for gaslækager efter færdiggørelse af forbindelser.
- Påfør kølemaskineolie på hele opkravningsædets overflade. Ⓒ
- Brug koniske møtrikker til følgende rørstørrelse. Ⓓ
- Pas på ikke at knække rørene, når de bøjes. Bøjningsradier på 100 mm til 150 mm er passende.
- Sørg for at rørene ikke rører kompressoren. Ellers kan der opstå unormal støj eller vibrationer.

- 1 Tilslutning af rørene skal påbegyndes fra indendørs enheden. Brystmøtrikker skal fastspændes med en momentnøgle.
- 2 Opkrav væskerørene og gasrørene og påfør et tyndt lag kølemiddelolie (påføres på stedet).
- Når der anvendes normal rørtætning, refereres til skema 3 for opkravning af R410A kølemiddelrør. Størrelsesmåleren kan anvendes til kontrol af A-mål.

#### ⚠ Advarsel:

**Tilslut omhyggeligt rørene, før kompressoren startes, når enheden installeres.**

\* For at tilslutte TILSLUTNINGSSÆTTET (PAC-LV11M-J) skal du se installationsmanualen til TILSLUTNINGSSÆTTET.

Skema 3 (Fig. 4-9)

Kobberrør udv. dia (mm)	A (mm)	
	Kravenøgle til R410A	Kravenøgle til R22:R407C
	Koblingstype	
Ø6,35	0 - 0,5	1,0 - 1,5
Ø9,52	0 - 0,5	1,0 - 1,5
Ø12,7	0 - 0,5	1,0 - 1,5
Ø15,88	0 - 0,5	1,0 - 1,5
Ø19,05	0 - 0,5	1,0 - 1,5

### 4.5. Kølerør (Fig. 4-10)

Afmonter servicepanelet Ⓓ (tre skruer) og rørfærdigheden foran Ⓐ (to skruer) og rørfærdigheden bagtil Ⓑ (to skruer).

- 1 Tilslut kølemiddelrørene til den indendørs/udendørs enhed, når den udendørs enheds stopventil er lukket helt.
- 2 Evakuér luft fra indendørsenheden og rørforbindelserne.
- 3 Når kølemiddelrørene er forbundet, skal rørene og den indvendige enhed kontrolleres for gaslækage. (Se 4.6. Metode til lufttæthedsstest for kølemiddelrør).
- 4 Påfør kølemiddelrørene vakuum gennem serviceporten på væske- og gasstopventilen. Åbn derefter stopventilerne helt (både væskestopventil og gasstopventil). Derved opnås der fuld forbindelse mellem indendørs og udendørs enhedens kølemiddelrør.
  - Hvis stopventilerne forbliver lukkede og enheden sættes i drift, vil kompressoren og kontrolventilen blive beskadiget.
  - Brug en lækage detektor eller sæbevand til at kontrollere for gaslækage på udendørs enhedens rørforbindelser.
  - Der må ikke foretages gennemskylning af kølemiddelrørene med kølemidlet fra enheden for at fjerne luft fra rørene.
  - Efter afslutning af ventilarbejdet fastspændes ventilhætterne med det korrekte moment: 20 til 25 N·m (200 til 250 kgf·cm). Hvis hætterne ikke sættes på igen og spændes, kan der opstå kølemiddel-lækage. Desuden må ventilhætterne ikke blive beskadiget indvendig, da de fungerer som tætning for at forhindre kølemiddellækage.
- 5 Brug tætningsmiddel til at tætte enderne af isoleringsmaterialet omkring rørsektionerne for at forhindre, at der kommer vand ind i isoleringsmaterialet.

## 4. Montering af kølemiddelrør

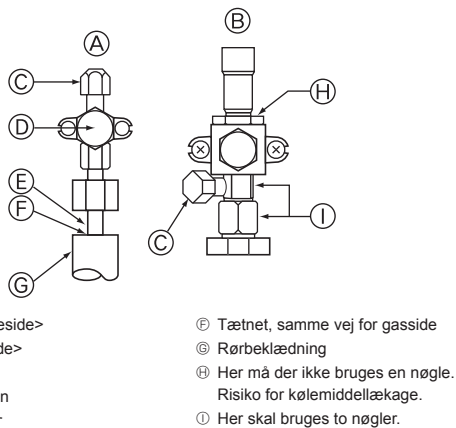


Fig. 4-11

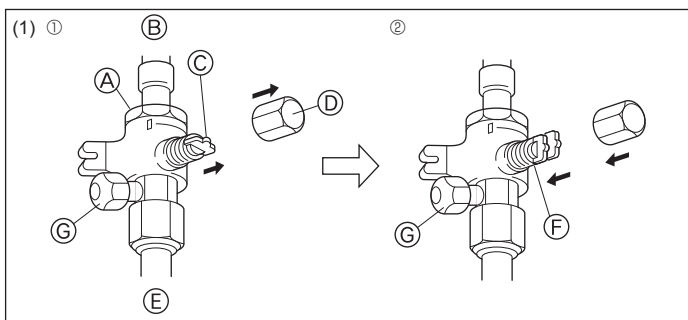


Fig. 4-12

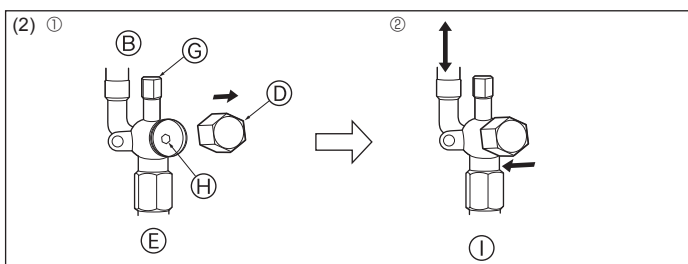


Fig. 4-13

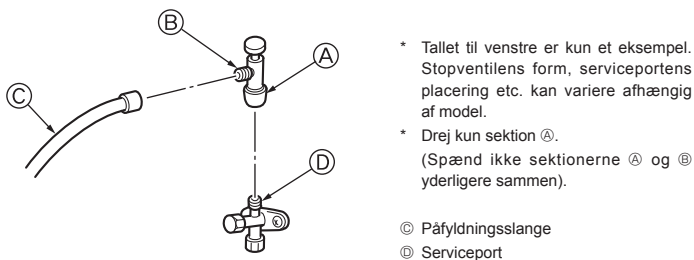


Fig. 4-14

### 4.6. Metode til lufttæthedstest for kølemiddelrør

- Tilslut testværktøjet.
  - Kontrollér at stopventilerne A B er lukkede og sørg for ikke at åbne dem.
  - Påfør kølemiddelrørene tryk gennem serviceporten C på væskestopventilen A og gasstopventilen B.
- Påfør ikke hele det specificerede tryk på én gang, men lidt efter lidt.
  - Påfør tryk til 0,5 MPa (5 kgf/cm<sup>2</sup>G), vent 5 minutter, og kontrollér at trykket ikke falder.
  - Påfør tryk til 1,5 MPa (15 kgf/cm<sup>2</sup>G), vent 5 minutter, og kontrollér at trykket ikke falder.
  - Påfør tryk til 4,15 MPa (41,5 kgf/cm<sup>2</sup>G) og mål den omgivende temperatur og kølemiddeltrykket.
- Hvis det specificerede tryk holder i ca. 1 dag og ikke falder, er der ingen lækage og rørene kan godkendes.
  - Hvis den omgivende temperatur ændres med 1°C, vil trykket ændres med ca. 0,01 MPa (0,1 kgf/cm<sup>2</sup>G). Foretag de nødvendige korrektioner.
- Hvis trykket falder i trin (2) eller (3), er der en gaslækage. Søg efter kilden til gaslækagen.

### 4.7. Stopventil, åbnemetode

- Gasside (Fig. 4-12)
    - Afmonter hættten, træk håndtaget hen imod Dem og drej en 1/4 omgang mod uret for at åbne.
    - Kontroller, at stopventilen er helt åben, skub håndtaget ind og drej hættten tilbage til den oprindelige position.
  - Væskeside (Fig. 4-13)
    - Fjern dækslet, og drej ventilspindlen mod uret så langt som muligt vha. en 4 mm sekskantet skruenøgle. Stop med at dreje, når den når stopperen (Ø6,35: ca. 4,5 omgang; Ø9,52: ca. 10 omgang).
    - Kontroller, at stopventilen er helt åben, skub håndtaget ind og drej hættten tilbage til den oprindelige position.
- A Ventil  
 B Enhedsside  
 C Håndtag  
 D Slutmuffe  
 E Pladsmonteret rørside  
 F Åben positionsside  
 G Serviceport  
 H Hul til nøgle  
 I Kølemidlets strømningsretning

Kølemiddelrør er forsynet med beskyttelsesbeklædning

- Rørene kan omvikles med beskyttelsesbeklædning op til en diameter på Ø90 før eller efter rørene forbindes. Skær udsparringen i rørbeklædningen ud ved at følge rillen og vikl beklædningen omkring rørene.

Rørindgangsåbning

- Brug kit eller tætningsmiddel til at tætte rørindgangsåbningen omkring rørene, så der ikke er nogen åben spalte.

(Hvis spalterne ikke lukkes, kan der blive udsendt støj eller der kan komme vand og støv ind i enheden, hvilket kan resultere i nedbrud).

#### Forholdsregler ved brug af påfyldningsventilen (Fig. 4-14)

Spænd ikke serviceporten for kraftigt under installation. Ventilindsatsen kan blive deformet eller blive løs og forårsage udsivning af gas.

Når sektion B er placeret i den ønskede retning, drejes kun sektion A, hvorefter den spændes.

Spænd ikke sektionerne A og B yderligere sammen, efter spænding af sektion A.

## 4. Montering af kølemiddelrør

### 4.8. Påfyldning af ekstra kølemiddel

#### Påfyldning af ekstra kølemiddel

Kølemiddel til det forlængede rørsystem følger ikke med udendørsenheden, når enheden sendes fra fabrikken. Du skal derfor fylde yderligere kølemiddel på hvert kølerørsystem på installationsstedet. For at udføre vedligeholdelse skal du derudover indtaste størrelsen og længden på hvert enkelt væskerør samt yderligere kølemiddepåfyldningsmængder i felterne, der er angivet på pladen "Refrigerant amount" (kølemiddelmængde) på udendørsenheden.

#### Beregning af påfyldning af ekstra kølemiddel

- Beregn den yderligere påfyldning vha. væskerørstørrelsen og længden på det forlængede rørsystem.
- Brug 11,2 kW i beregningen af cylinderens eller hydroboksens kapacitet.
- Beregn den yderligere påfyldning af kølemiddel vha. proceduren, der er vist til højre, og påfyld yderligere kølemiddel.
- Ved mængder på mindre end 0,1 kg skal du afrunde den yderligere kølemiddelmængde.  
(Hvis den beregnede mængde eksempelvis er på 6,01 kg, skal mængden rundes op til 6,1 kg).

<Ekstra påfyldning>

#### Beregning af kølemiddelmængde

Rørstørrelse Væskerør ø 6,35 (m) × 19,0 (g/m)	+	Rørstørrelse Væskerør ø 9,52 (m) × 50,0 (g/m)	+	De forbundne indendørsenheders samlede kapacitet	Antallet af indendørsen- heder
				~ 8,0 kW	1,5 kg
				8,1 ~ 16,0 kW	2,5 kg
				16,1 kW ~	3,0 kg

#### Medfølgende kølemiddelmængde ved forsendelse fra fabrikken

Medfølgende kølemiddelmængde
4,8 kg

<Eksempel>

Udendørs model : P125	A : ø9,52 30 m	} Under ne- denstående forhold:
Indendørs 1 : P63 (7,1 kW)	a : ø9,52 15 m	
2 : P40 (4,5 kW)	b : ø6,35 10 m	
3 : P25 (2,8 kW)	c : ø6,35 10 m	
4 : P20 (2,2 kW)	d : ø6,35 20 m	

Den totale længde for hvert væskerør er som følger:

$$\text{ø}9,52 : A + a = 30 + 15 = 45 \text{ m}$$

$$\text{ø}6,35 : b + c + d = 10 + 10 + 20 = 40 \text{ m}$$

Den forbundne indendørsenheders samlede kapacitet er som følger:

$$7,1 + 4,5 + 2,8 + 2,2 = 16,6$$

<Beregningseksempel>

Ekstra kølemiddepåfyldning

$$40 \times \frac{19,0}{1000} + 45 \times \frac{50,0}{1000} + 3,0 = 6,1 \text{ kg (rundet op)}$$

## 5. Føring af drænrør

#### Udendørs enheds drænrørsforbindelser

Når føring af drænrør er nødvendigt, anvend da en drænsokkel eller drænbakke (ekstraudstyr).

	P112-140
Drænsokkel	PAC-SG61DS-E
Drænbakke	PAC-SH97DP-E

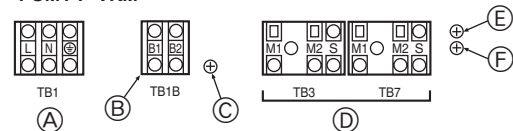
## 6. Elektrisk arbejde

### 6.1. Forsigtig

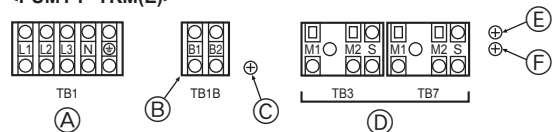
- Følg de lokale myndigheders forskrifter vedrørende tekniske standarder i relation til elektrisk udstyr og regler for ledningsføring samt rådgivning fra elselskabet.
- Ledningsføringen til styringen (herefter kaldet transmissionslinjen) skal lægges på afstand (5 cm eller mere) af strømkablet, så det ikke påvirkes af elektrisk støj fra strømkablet. (Sæt ikke transmissionslinjen og strømkablet i samme kredsløb).
- Sørg for en designet jordforbindelse til udendørsenheden.
- Lad der være lidt ekstra kabellængde til boksen med elektriske dele på indendørs- og udendørsenheden, da boksen af og til flyttes i forbindelse med servicearbejde.
- Før aldrig hovedstrømkilden til transmissionslinjens klemkasse. De elektriske dele brænder over ved en sådan tilslutning.
- Brug et afskærmet kabel med 2 kerner til transmissionslinjen. Hvis transmissionslinjer fra forskellige systemer ledningsføres med samme multikernekabel, vil den deraf følgende dårlige transmission og modtagelse forårsage fejldrift.
- Kun den angivne transmissionslinje må sluttes til klemkassen til udendørsenhedstransmission.  
(Transmissionslinje, der skal sluttes til indendørsenheden: Klemkasse TB3 til transmissionslinje, andet: Klemkasse TB7 til centralbetjening)  
Ved en forkert forbindelse fungerer systemet ikke.
- I tilfælde af at der skal oprettes forbindelse til den øverste classes betjening eller der skal udføres gruppedrift i forskellige kølesystemer, kræves der en styrelinje mellem de enkelte udendørsenheder.  
Tilslut denne styrelinje mellem klemkasserne med henblik på central betjening. (2-trådet linje uden polaritet)  
Ved udførelse af gruppedrift i forskellige kølesystemer uden tilslutning af øverste classes betjening ændres indsætningen af kortslutningsstikket fra CN41 på en af udendørsenhederne til CN40.
- Gruppen indstilles vha. fjernbetjeningen.
- Når du tilslutter TILSLUTNINGSSÆTTET (PAC-LV11M-J) og en indendørsenhed i M-serien, skal du se installationsmanualen til TILSLUTNINGSSÆTTET.
- Når du tilslutter en forgreningsboks, skal du sørge for at tænde for indendørsenhederne og forgreningsboksen, før du tænder for udendørsenheden.

## 6. Elektrisk arbejde

### <PUMY-P-VKM>



### <PUMY-P-YKM(E)>



- Ⓐ Strømkilde
- Ⓑ Strømforsyning til forgreningsdåse
- Ⓒ Skru den elektriske komponentboks fast
- Ⓓ Transmissionslinje
- Ⓔ Jordforbindelse for klemkassen (TB3)
- Ⓕ Skru på boksen med elektriske komponenter

Fig. 6-1

## 6.2. Styreboks og ledningsføringens tilslutningsplacering (Fig. 6-1)

- Slut indendørsenhedens transmissionslinje til klemboksen (TB3), eller slut ledningsføringen mellem udendørsenhederne eller ledningsføringen med det centrale betjeningsystem til den centrale betjenings klemkasse (TB7). Når du bruger skærmede kabler, skal du tilslutte skærmens jordforbindelse på indendørsenhedens transmissionsledning til skruen (Ⓔ) og tilslutte skærmens jordforbindelse på ledningen mellem udendørsenhederne og det centrale kontrolsystems transmissionsledning til skærmens (S) klemme på det centrale betjenings klemkasse (TB7). Hvis udendørsenhedens strømforsyningsstik CN41 er udskiftet med CN40, skal den afskærmede klemme (S) på det centrale betjeningsystems klemkasse (TB7) også sluttes til skruen (Ⓔ) med den monterede ledning.
- Klemlejet (TB1B) forsyner forgreningsboksen med strøm (220 - 240 VAC, maks. 6 A).
- Fastgør strømkablet til klemkassen vha. en bufferbøsning af hensyn til trækraft (PG-tilslutning eller lign).

### ⚠ Forsigtig:

Forbind aldrig indendørsenhedens transmissionsledning eller det centrale kontrolsystems transmissionsledning til dette klemleje (TB1B). Hvis transmissionslinjerne forbindes, kan indendørsenhedens klemrække eller det centraliserede kontrolsystems klemrække blive beskadiget.

## 6.3. Ledningstransmissionskabler

### ① Styrekabeltype

- Transmissionslinjekabler
  - Transmissionskabeltyper: Afskærmet kabel CVVS, CPEVS eller MVVS
  - Kabeldiameter: Mere end 1,25 mm<sup>2</sup>
  - Maks. kabellængde: Under 200 m

### 2. M-NET Fjernbetjeningskabler

Fjernbetjeningskabel, type	Afskærmet kabel CVVS, CPEVS eller MVVS
Kabeldiameter	0,5 til 1,25 mm <sup>2</sup>
Bemærkninger	Hvis længden på 10 m overskrides, skal der bruges et kabel med samme specifikation som transmissionskabler.

### 3. MA Fjernbetjeningskabler

Fjernbetjeningskabel, type	Indkapslet 2-kernet kabel (uafskærmet) CVV
Kabeldiameter	0,3 til 1,25 mm <sup>2</sup> (0,75 til 1,25 mm <sup>2</sup> )*
Bemærkninger	Under 200 m

\* Tilsluttet til en enkelt fjernbetjening.

### ② Eksempler på kabelføring

- Kontroller navn, symbol og tilladt antal styreenheder.

Navn	Symbol	Tilladt antal styreenheder	
Betjeningsenhed, udendørsenhed	OC	-	
Betjeningsenhed, indendørsenhed	M-IC	PUMY-P112	1 til 9 enheder pr. 1 OC *1
		PUMY-P125	1 til 10 enheder pr. 1 OC *1
	A-IC	PUMY-P140	1 til 12 enheder pr. 1 OC *1
		PUMY-P112	2 til 8 enheder pr. 1 OC *1
	PUMY-P125		
	PUMY-P140		
Forgreningsboks	-	-	0 til 2 enheder pr. 1 OC
Fjernbetjening	RC	M-NET RC *2	Maks. 12 styreenheder til én OC (Kan ikke tilsluttes, hvis forgreningsboksen anvendes).
		MA-RC	Maks. 2 pr. gruppe

### Bemærk:

- Antallet af enheder, der kan tilsluttes, kan begrænses af visse forhold, f.eks. en indendørsenheds kapacitet eller den enkelte enheds tilsvarende strømforbrug.
- Brug ikke Lossnay-betjeningen (PZ-61DR-E, PZ-43SMF-E, PZ-52SF-E, PZ-60DR-E).

## Eksempel på et gruppedriftssystem med flere udendørsenheder (afskærmede kabler og adresseindstilling er nødvendigt).

<Eksempler på transmissionskabelføring: Når der ikke bruges forgreningsboks>

### ■ Se Fig. 6-6 fra Fig. 6-2.

<Ledningsføringsmetode og adresseindstillinger: uden forgreningsboks>

- Brug altid et afskærmet kabel til tilslutninger mellem udendørsenheden (OC) og indendørsenheden (M-IC).
- Brug fødekabler til at forbinde klemmerne M1 og M2 og jordklemmen på transmissionskablets klemplade (TB3) for hver udendørsenhed (OC) med klemmerne M1, M2 og klemme S på transmissionskablets klemplade for indendørsenheden (M-IC).
- Slut klemmerne 1 (M1) og 2 (M2) på den af indendørsenhedens (M-IC) transmissionskabels klemkasse, der har den seneste adresse inden for samme gruppe, til fjernbetjeningens (M-NET RC) klemkasse.
- Forbind klemmerne M1, M2 og klemme S på klempladen til central kontrol (TB7) for udendørsenheden (OC).
- Jumperstikket CN41 på styrepanelet flyttes ikke.
- Slut indendørsenhedens transmissionslinjes afskærmede jordledning til den afskærmede klemme (S) på (TB3), og slut også (S) klemmen til skruen (Ⓔ eller Ⓕ) med den monterede ledning. Tilslut skærmens jordforbindelse til ledningen mellem udendørsenhederne og det centrale kontrolsystems transmissionsledning til skærmens (S) klemme for (TB7).
- Sæt adresseindstillingskontakten som følger.

Enhed	Område	Indstillingsmetode
M-IC (Hovedledning)	01 til 50	Brug den seneste adresse inden for samme gruppe af indendørsenheder
M-IC (Under)	01 til 50	Brug en adresse, der er en anden end adressen for IC (hovedledning) blandt enheder i samme gruppe af indendørsenheder. Denne skal være i sekvens med IC (hovedledning)
Udendørsenhed	51 til 100	Brug den seneste adresse for alle indendørsenheder plus 50 *Adressen bliver automatisk "100", hvis den indstilles som "01 - 50".
M-NET R/C (Hovedledning)	101 til 150	Indstil en IC (hovedledning) adresse inden for samme gruppe plus 100
M-NET R/C (Under)	151 til 200	Indstil en IC (hovedledning) adresse inden for samme gruppe plus 150
MA R/C	-	Unødvendig adresseindstilling (nødvendig hoved-/underindstilling)

- Gruppeindstilling mellem flere indendørsenheder udføres med fjernbetjeningen (M-NET RC), efter at der er tændt for strømmen.

### i. Ved tilslutning af en PWFY-enheden

- Udfør ikke gruppeindstillingerne til PWFY-enheden og indendørsenhederne.
- PWFY-enheden kan ikke bruges samtidig med en Lossnay-enheden.
- Brug en WMA-fjernbetjening til PWFY-enheden.

Se installationsvejledningen til PWFY-enheden for detaljer.

### j. Ved tilslutning af en cylinder eller hydroboks

- Udfør ikke gruppeindstillingerne for cylinderen eller hydroboksen og de andre indendørsenheder.

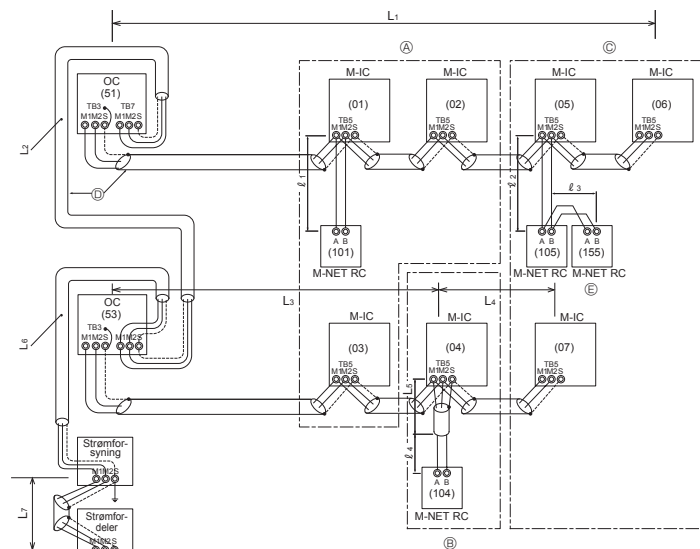
<Ledningsføringsmetode og adresseindstillinger: med forgreningsboks>

Se installationsvejledningen til forgreningsboksen.

## 6. Elektrisk arbejde

<Eksempel på transmissionskabelføring: Når der ikke bruges forgretningsboks>

### ■ M-NET-fjernbetjening



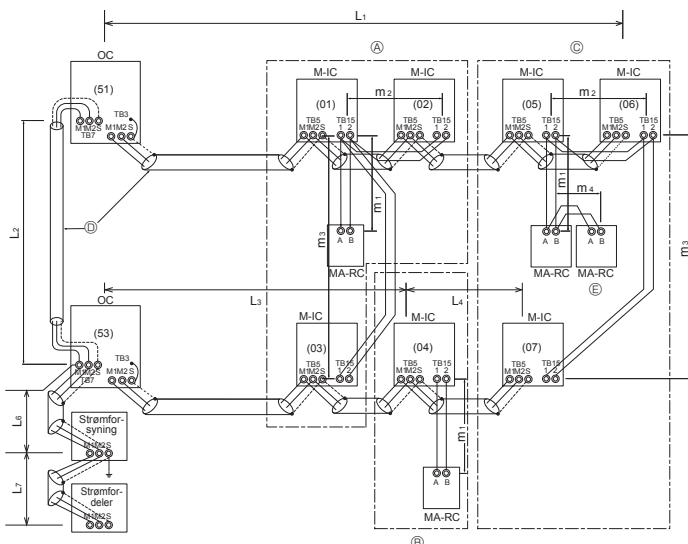
- (A) : Gruppe 1  
 (B) : Gruppe 2  
 (C) : Gruppe 3  
 (D) : Afskærmet kabel  
 (E) : Underfjernbetjening  
 ( ) : Adresse

#### <Tilladte længder>

- Maksimal længde via udendørsenheder:  $L_1 + L_2 + L_3 + L_4$  og  $L_1 + L_2 + L_3 + L_5$  og  $L_1 + L_2 + L_6 + L_7 \leq 500$  m (1,25 mm<sup>2</sup> eller mere)
  - Maksimal transmissionskabel længde:  $L_1$  og  $L_3 + L_4$  og  $L_3 + L_5$  og  $L_2 + L_6$  og  $L_7 \leq 200$  m (1,25 mm<sup>2</sup> eller mere)
  - Fjernbetjeningskabel længde:  $l_1, l_2, l_3, l_4 \leq 10$  m (0,5 til 1,25 mm<sup>2</sup>)
- Hvis længden overstiger 10 m, skal der anvendes et afskærmet kabel på 1,25 mm<sup>2</sup>. Længden af denne del ( $L_3$ ) skal medtages i beregningen af den maksimale længde og den samlede længde.

Fig. 6-2

### ■ MA-fjernbetjening

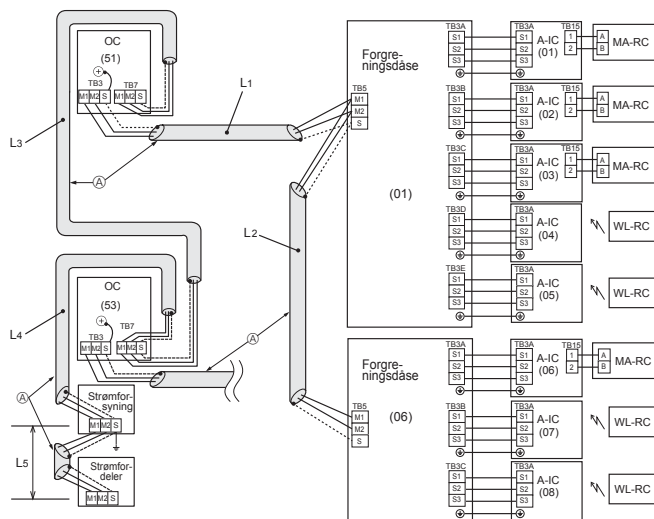


#### <Tilladte længder>

- Maksimal længde via udendørsenhed (M-NET-kabel):  $L_1 + L_2 + L_3 + L_4$  og  $L_1 + L_2 + L_6 + L_7 \leq 500$  m (1,25 mm<sup>2</sup> eller mere)
- Maksimal transmissionskabel længde (M-NET-kabel):  $L_1$  og  $L_3 + L_4$  og  $L_2 + L_6$  og  $L_7 \leq 200$  m (1,25 mm<sup>2</sup> eller mere)
- Fjernbetjeningskabels længde:  $m_1$  og  $m_1 + m_2 + m_3$  og  $m_1 + m_2 + m_3 + m_4 \leq 200$  m (0,3 til 1,25 mm<sup>2</sup>)

Fig. 6-3

<Eksempel på transmissionskabelføring: Tilslutning til forgretningsboks>



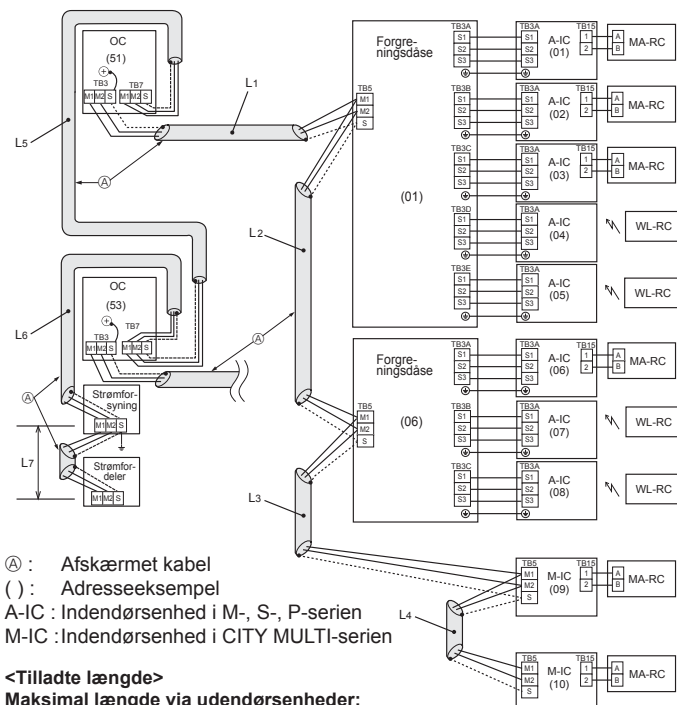
- (A) : Afskærmet kabel  
 ( ) : Adresseeksempel  
 A-IC : Indendørsenhed i M-, S-, P-serien

#### <Tilladte længder>

- Maksimal længde via udendørsenheder (M-NET-kabel):  $L_1 + L_2 + L_3 + L_4 + L_5 \leq 500$  m (1,25 mm<sup>2</sup> eller mere)
- Maksimal transmissionskabel længde (M-NET-kabel):  $L_1 + L_2, L_3 + L_4, L_5 \leq 200$  m (1,25 mm<sup>2</sup> eller mere)

Fig. 6-4

<Eksempel på transmissionskabelføring: Blandingssystem>



- (A) : Afskærmet kabel  
 ( ) : Adresseeksempel  
 A-IC : Indendørsenhed i M-, S-, P-serien  
 M-IC : Indendørsenhed i CITY MULTI-serien

#### <Tilladte længder>

- Maksimal længde via udendørsenheder:  $L_1 + L_2 + L_3 + L_4 + L_5 + L_6 + L_7 \leq 500$  m (1,25 mm<sup>2</sup> eller mere)
- Maksimal transmissionskabel længde:  $L_1 + L_2 + L_3 + L_4, L_5 + L_6, L_7 \leq 200$  m (1,25 mm<sup>2</sup> eller mere)

Fig. 6-5

#### Bemærk:

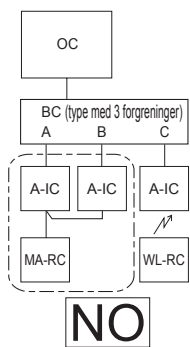
Cylinder- eller hydroboksenheden kan ikke grupperes med andre enheder end cylinder- eller hydroboksenheder. Endvidere kan flere udendørsenheder ikke fungere samtidigt, når cylinder- eller hydroboksenheden er tilsluttet.



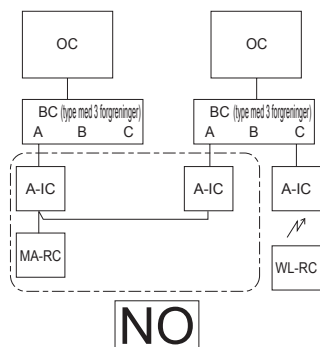
## 6. Elektrisk arbejde

<Forkerte systemer>

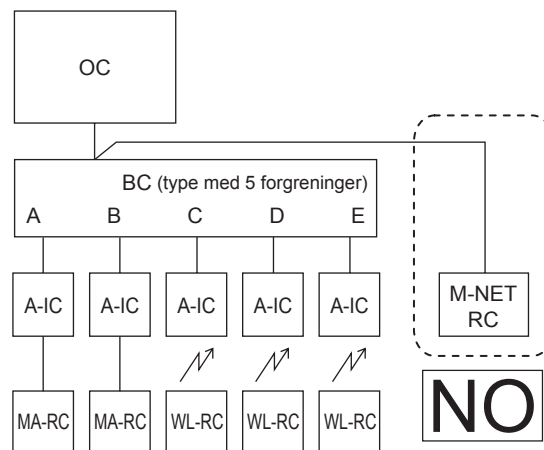
### 1. Gruppedrift med en enkelt fjernbetjening



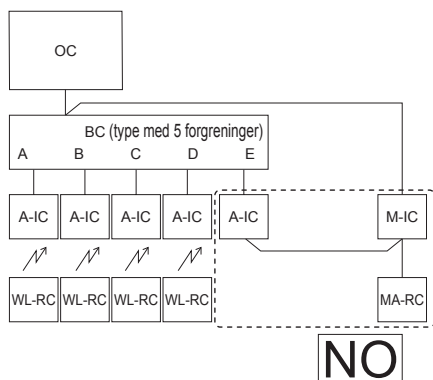
### 2. Gruppedrift mellem forskellige kølesystemer



### 3. Tilslutning af M-NET-fjernbetjening



### 4. Gruppedrift mellem A-betjeningssystem og M-NET-betjeningssystem.



1. Flere indendørsenheder kan ikke betjenes med en enkelt fjernbetjening.
2. Forskellige kølesystemer kan ikke tilsluttes samtidigt.
3. M-NET-fjernbetjening kan ikke tilsluttes.
4. Forskellige typer betjeningssystemer (A-IC/M-IC) kan ikke tilsluttes samtidigt.

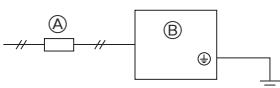
## 6. Elektrisk arbejde

### 6.4. Ledningsføring for hovedstrømforsyning og udstyrskapacitet

Skematisk tegning af ledningsføring: Når der ikke bruges forgreningsboks (eksempel) (Fig. 6-6)

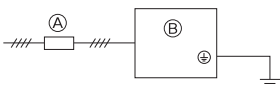
#### ■ PUMY-P-VKM4

~N 220-230-240 V 50 Hz  
~N 220-230 V 60 Hz



#### ■ PUMY-P-YKM(E)4

• YKM4  
3N~380-400-415 V 50 Hz  
3N~380 V 60 Hz  
• YKME4  
3N~380-400-415 V 50 Hz



~N 220-230-240 V 50 Hz  
~N 220-230 V 60 Hz

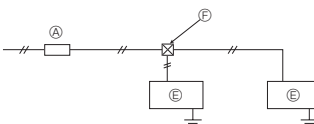


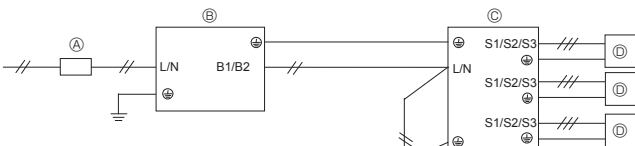
Fig. 6-6

Skematisk tegning af ledningsføring: Ved brug af forgreningsboks (eksempel) (Fig. 6-7)

<Når der er strømforsyning fra udendørsenheden>

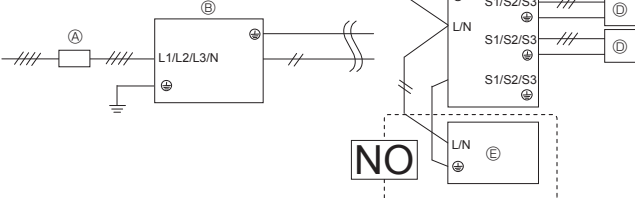
#### ■ PUMY-P-VKM4

~N 220-230-240 V 50 Hz  
~N 220-230 V 60 Hz

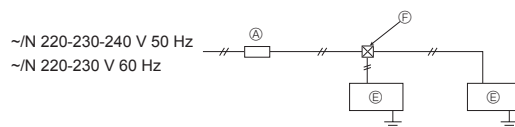


#### ■ PUMY-P-YKM(E)4

• YKM4  
3N~380-400-415 V 50 Hz  
3N~380 V 60 Hz  
• YKME4  
3N~380-400-415 V 50 Hz



~N 220-230-240 V 50 Hz  
~N 220-230 V 60 Hz



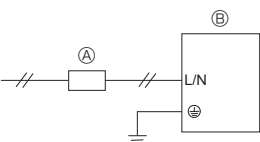
- Ⓐ Kontakt (afbrydere for ledningsførings- og elektrisk strømtab)
- Ⓑ Udendørsenhed
- Ⓒ Forgreningsdåse
- Ⓓ "A-kontrol", indendørs enhed (Indendørsenhed i M-, S-, P-serien)
- Ⓔ M-NET-styret indendørsenhed (City Multi-indendørsenhed)
- Ⓕ Trækboks

\* Indendørsenheden til M-NET-betjening kan ikke modtage strøm fra udendørsenhed. Den skal have separat strømforsyning.

<Når der er separat strømforsyning>

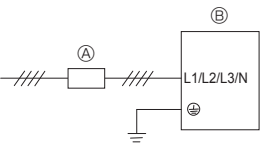
#### ■ PUMY-P-VKM4

~N 220-230-240 V 50 Hz  
~N 220-230 V 60 Hz

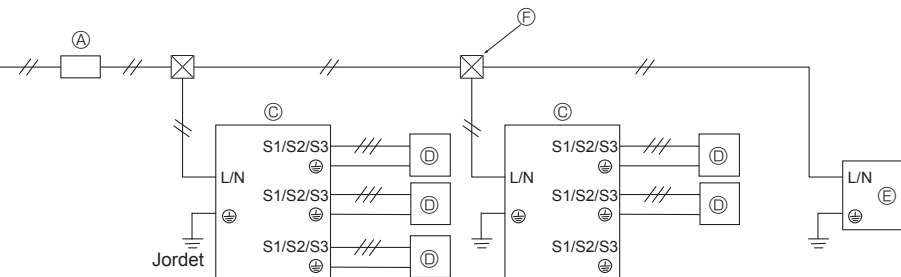


#### ■ PUMY-P-YKM(E)4

• YKM4  
3N~380-400-415 V 50 Hz  
3N~380 V 60 Hz  
• YKME4  
3N~380-400-415 V 50 Hz



~N 220-230-240 V 50 Hz  
~N 220-230 V 60 Hz



Bemærk: Reaktor-boks (ekstraudstyr)

Hvis produktet anvendes som andet end professionelt udstyr, kan det være nødvendigt at bruge reaktor-boksen.

Udendørsenhed	Strømforsyningsmetode til forgreningsdåse	
	Strømforsyning fra udendørsenhed	Separat strømforsyning
1-faset strømforsyning	Ikke nødvendig	Nødvendig
3-faset strømforsyning	Nødvendig	Nødvendig

Fig. 6-7

## 6. Elektrisk arbejde

### Tværsnitsareal for ledning til hovedstrømforsyning og tænd-/slukfunktioner

<Når der er separat strømforsyning>

Model	Strømforsyning	Minimum tværsnitsareal for ledning (mm <sup>2</sup> )			Afbryder for ledningsføring *1	Afbryder for elektrisk strømtab	
		Hovedkabel	Forgrening	Jord			
Udendørsenhed	P112-140VKM4	~/N 220-230-240 V 50 Hz ~/N 220-230 V 60 Hz	6	–	6	32 A	32 A 30 mA 0,1 sek. eller mindre
	P112-140YKM4	3N~380-400-415 V 50 Hz 3N~380 V 60 Hz	1,5	–	1,5	16 A	16 A 30 mA 0,1 sek. eller mindre
	P112-140YKME4	3N~380-400-415 V 50 Hz					

<Når der er strømforsyning fra udendørsenheden>

Model	Strømforsyning	Minimum tværsnitsareal for ledning (mm <sup>2</sup> )			Afbyder for ledningsføring *1	Afbryder for elektrisk strømtab	
		Hovedkabel	Forgrening	Jord			
Udendørsenhed	P112-140VKM4	~/N 220-230-240 V 50 Hz ~/N 220-230 V 60 Hz	6	–	6	40 A	40 A 30 mA 0,1 sek. eller mindre
	P112-140YKM4	3N~380-400-415 V 50 Hz 3N~380 V 60 Hz	2,5	–	2,5	20 A	20 A 30 mA 0,1 sek. eller mindre
	P112-140YKME4	3N~380-400-415 V 50 Hz					

\*1 Brug en afbryder uden sikring (NF) eller en jordafledningsafbryder (NV) med en kontaktadskillelse på mindst 3,0 mm på hver pol.

<Indendørsenheder>

Indendørsenhedens samlede driftsstrøm	Min. kabeltykkelse (mm <sup>2</sup> )			Jordfejlsafbryder *1	Lokal kontakt (A)		Afbryder for ledningsføring (NFB)
	Hovedkabel	Forgrening	Jord		Kapacitet	Sikring	
F0 = 16 A eller mindre *2	1,5	1,5	1,5	20 A strømfølsomhed *3	16	16	20
F0 = 25 A eller mindre *2	2,5	2,5	2,5	30 A strømfølsomhed *3	25	25	30
F0 = 32 A eller mindre *2	4,0	4,0	4,0	40 A strømfølsomhed *3	32	32	40

Anvend maks. tilladt systemimpedans iht. IEC61000-3-3.

\*1 Jordfejlsafbryderen skal støtte ensretteren.

Jordfejlsafbryderen skal kombinere brug af lokalkontakten eller afbryderen til ledningsføring.

\*2 Brug den højeste værdi af F1 eller F2 som værdien for F0.

F1 = indendørsenhedernes samlede maksimale driftsstrøm × 1,2

F2 = {V1 × (Mængde af type 1)/C} + {V1 × (Mængde af type 2)/C} + {V1 × (Mængde af type 3)/C} + ... + {V1 × (Mængde af type 14)/C}

Tilslut til forgreningsboks (PAC-MK-BC(B))

Indendørsenhed		V1	V2
Type 1	PEAD-RP-JA(L)Q, PEAD-M-JA(L), PEY-(S)P-JA	26,9	2,4
Type 2	SEZ-KD-VAQ(L), SEZ-M-DA(L), PCA-RP-KAQ, PCA-M-KA, PLA-ZRP-BA, PLA-RP-EA, SLZ-KF-VA2, SLZ-M-FA, PLY-(S)P-BA, SEZ-KH-VALT, PCY-(S)P-KA	19,8	
Type 3	MLZ-KA-VA, SLZ-KA-VAQ(L)3	9,9	
Type 4	MFZ-KJ-VE2, MSXY-FJ-VE, MSZ-LN-VG, MSZ-AP-VG, MLZ-KP-VF	7,4	
Type 5	MSZ-FH-VE, MSZ-SF-VE, MSZ-EF-VE, MSZ-SF-VA, MSZ-GF-VE, MSZ-GE-VA, MSZ-EF-VA, MSY-GE-VA, MSY-EF-VA, MSZ-FH-VA, MSY-GH-VA, MSZ-FK-VA, MSZ-GC-NA	6,8	
Type 6	Forgreningsboks (PAC-MK-BC(B))	5,1	3,0
Type 7	ecodan C-generation		5,0 *5

\*5 Denne værdi kan øges, hvis der er en lokalt tilsluttet motor.

Tilslut til tilslutningssæt (PAC-LV11M-J)

Indendørsenhed		V1	V2
Type 8	MFZ-KJ-VE2	7,4	2,4
Type 9	MSZ-GE-VA, MSZ-SF-VA, MSZ-SF-VE, MSZ-EF-VE, MSZ-FH-VE, MSY-GE-VA, MSY-GH-VA	6,8	
Type 10	Tilslutningssæt (PAC-LV11M-J)	3,5	

Indendørsenhed		V1	V2
Type 11	PEFY-VMA(L)-E, PEFY-VMA3-E	38,0	1,6
Type 12	PMFY-VBM-E, PLFY-VEM-E, PLFY-VFM-E1, PEFY-VMS1(L)-E, PCFY-VKM-E, PKFY-VHM-E, PKFY-VKM-E, PFFY-VKM-E2, PFFY-VLRMM-E, PLFY-EP-VEM-E, PMFY-P-VFM-D	19,8	2,4
Type 13	PKFY-VBM-E	3,5	2,4
Type 14	PLFY-VLMD-E, PEFY-VMR-E-L/R, PDFY-VM-E, PEFY-VMH-E, PFFY-VLEM-E, PFFY-VLRM-E, PWFY-VM-E1(2)-AU, PEFY-P-VMH-E-F, GUF-RD(H)4	0,0	0,0

C : Multiplum af udløsningsstrøm med en udløsningsstid på 0,01 s

Ret "C" op i henhold til afbryderens udløsningssegenskaber.

## 6. Elektrisk arbejde

<Eksempel på "F2" -beregning>

Tilstanden PEFY-VMS × 4 + PEFY-VMA × 1, C = 8 (se eksempeldiagrammet til højre)

$$F2 = 19,8 \times 4/8 + 38 \times 1/8$$

$$= 14,65$$

→ 16 A afbryder (udløsningsstrøm =  $8 \times 16$  A ved 0,01 s)

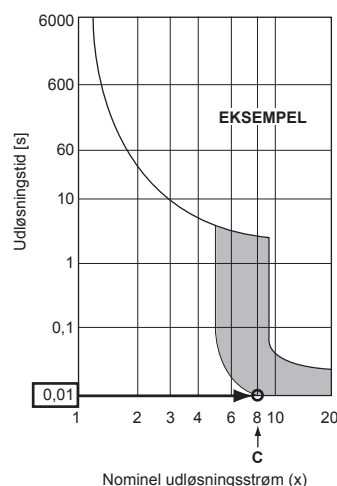
\*3 strømfølsomhed beregnes vha. følgende formel.

$$G1 = V2 \times (\text{Mængden af type 1}) + V2 \times (\text{Mængden af type 2}) + V2 \times (\text{Mængden af type 3}) + \dots + V2 \times (\text{Mængden af type 14}) + V3 \times (\text{Ledningslængde [km]})$$

G1	Strømfølsomhed
30 eller mindre	30 mA 0,1 sek. eller mindre
100 eller mindre	100 mA 0,1 sek. eller mindre

Ledningstykkelser	V3
1,5 mm <sup>2</sup>	48
2,5 mm <sup>2</sup>	56
4,0 mm <sup>2</sup>	66

Eksempeldiagram



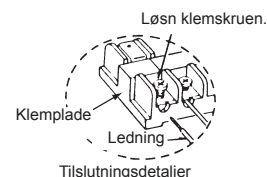
1. Vær opmærksom på de omgivende forhold (den omgivende temperatur, direkte sollys, regnvand etc.), når der fortsættes med ledningsføring og tilslutning.
2. Kabelstørrelse er min. værdien for ledningsføringen til metalklemmer. Strømkablets størrelse skal være 1 niveau tykkere af hensyn til spændingsfald. Kontroller, at strømforsyningsspændingen ikke falder med mere end 10%.
3. Overhold specifikke lokale krav til ledningsføring.
4. Strømforsyningskabler til udstyr til udendørs brug må ikke være tyndere end polychlorofen-belagt fleksibelt kabel (design 60245 IEC57). Brug f.eks. ledning såsom YZW.
5. Installer et jordkabel, der er længere end andre kabler.

### ⚠ Advarsel:

- Brug altid de angivne kabler til forbindelse, så eksterne kræfter ikke overføres til klemmetilslutningerne. Hvis forbindelserne ikke sidder ordentligt fast, kan det forårsage overophedning eller brand.
- Brug altid en overstrømsbeskyttelsesafbryder af en egnet type. Bemærk, at overstrøm kan omfatte en vis mængde direkte strøm.
- Sørg for, at klempladens dæksler og udendørsenhedens panel er fastgjort sikkert. Hvis dette ikke gøres korrekt, kan det indebære risiko for brand og/eller elektrisk stød på grund af støv, vand osv.

### ⚠ Forsigtig:

- Vær omhyggelig, så ledningsføringen ikke udføres forkert.
- Stram klemskruerne godt til for at forhindre, at de løsnes.
- Træk efter spændingen forsigtigt i ledningerne for at kontrollere, at de ikke er løse.
- Hvis forbindelsesledningen ikke er korrekt forbundet med klemrækken, fungerer enheden ikke normalt.
- Nogle installationssteder kan kræve montering af en fejlstrømsafbryder. Hvis der ikke er installeret en fejlstrømsafbryder, kan det forårsage elektrisk stød.
- Brug kun afbryder og sikring med korrekt kapacitet. Brug af en sikring og kabel eller kobberkabel med for stor kapacitet kan forårsage fejlfunktion af enheden eller brand.



### VIGTIGT

Sørg for, at strømlækageafbryderen er kompatibel med højere harmoni.

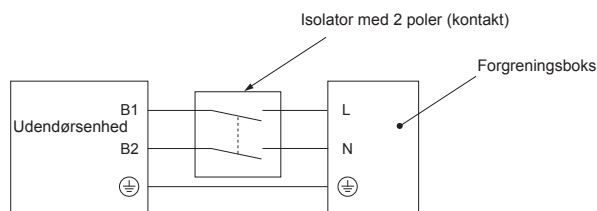
Brug altid en strømlækageafbryder, der er kompatibel med højere harmoni, da denne enhed er udstyret med en omformer.

Anvendelse af en utilstrækkelig afbryder kan forårsage ukorrekt funktion af vekselretteren.

Strømforsyningskablet eller forbindelseskablerne til den indendørs eller den udendørs forgreningsboks må aldrig splejses, da det kan resultere i røgudvikling, brand eller kommunikationssvigt.

### ⚠ Advarsel:

- Sluk derfor for strømforsyningen, når du skal udføre service. Du må ikke berøre terminalerne B1 og B2, når strømmen er sluttet til. Hvis isolatoren skal bruges mellem udendørsenheden og forgreningsdåsen eller mellem indendørsenheden og forgreningsdåsen, skal du bruge en type med 2 poler. (Se nedenstående figur).



### ⚠ Vigtigt:

Når du har brugt isolatoren, skal du huske at slukke for strømmen på kontakten for at nulstille systemet. Ellers vil udendørsenheden muligvis ikke være i stand til at detektere forgreningsboksen/-boksene eller indendørsenhederne.

Sørg for, at den udendørs forgreningsboks eller den indendørs forgreningsboks, der forbinder kablerne, bliver tilsluttet direkte til enhederne (uden indsatte mellemstykker).

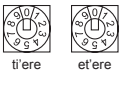
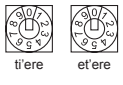

Indsatte mellemstykker kan medføre kommunikationsfejl, hvis der kommer vand i kablerne, og det resulterer i utilstrækkelig isolering til jord eller i en dårlig elektrisk forbindelse ved det indsatte mellemstykke.

(Hvis det er nødvendigt at indsætte et mellemstykke, skal det sikres, at der ikke kommer vand ind i kablerne).

## 6. Elektrisk arbejde

### 6.5. Adresseindstilling

#### Kontaktadresseindstilling

	Udendørs	Forgreningsdåse				M-, S-, P-serien Indendørs	CITY MULTI-serien																																																
		Adresse		Tilslutningsindstilling																																																			
Kontakt	 ti'ere et'ere SWU2 SWU1	 ti'ere et'ere SW12 SW11	<table border="1"> <tr> <td>A</td><td>B</td><td>C</td><td>D</td><td>E</td><td>-</td> </tr> <tr> <td>1</td><td>2</td><td>3</td><td>4</td><td>5</td><td>6</td> </tr> </table> SW1		A	B	C	D	E	-	1	2	3	4	5	6	ON: Indendørs tilslutning OFF (SLUK): Ingen tilslutning (SW1-6 ikke i brug)	Ingen	 ti'ere et'ere SW12 SW11																																				
A	B	C	D	E	-																																																		
1	2	3	4	5	6																																																		
Interval	51 - 100	1 - 50				-	1 - 50																																																
Konfiguration	M-betjening (indendørs) eller forgreningsboks- adresse +50	• Ifølge den indstillede adresse (f.eks. 01) indstilles adresserne på de tilsluttede indendørsenheder se- kventielt (f.eks. 02, 03, 04 og 05).		• Specificer, om indendørsenhederne er tilsluttet hver port (A, B, C, D og E).		Der er ingen adresse- indstillinger for inden- dørsenhe- derne.	-																																																
		<table border="1"> <tr> <td>SW1</td><td>1</td><td>2</td><td>3</td><td>4</td><td>5</td><td></td> </tr> <tr> <td></td><td>ON</td><td>ON</td><td>ON</td><td>ON</td><td>ON</td><td></td> </tr> <tr> <td>Port</td><td>A</td><td>B</td><td>C</td><td>D</td><td>E</td><td></td> </tr> <tr> <td>Adresse</td><td>01</td><td></td><td></td><td></td><td></td><td>(SW11, 12)</td> </tr> <tr> <td></td><td></td><td>02</td><td>03</td><td>04</td><td>05</td><td>(sekventielle tal)</td> </tr> </table>	SW1	1	2	3	4	5			ON	ON	ON	ON	ON		Port	A	B	C	D	E		Adresse	01					(SW11, 12)			02	03	04	05	(sekventielle tal)	<table border="1"> <tr> <td>SW1</td><td>1</td><td>2</td><td>3</td><td>4</td><td>5</td><td>(6)</td> </tr> <tr> <td>Port</td><td>A</td><td>B</td><td>C</td><td>D</td><td>E</td><td>ikke i brug</td> </tr> </table>	SW1	1	2	3	4	5	(6)	Port	A	B	C	D	E	ikke i brug	Indendørsenheder er tilsluttet (ON) Indendørsenheder er ikke tilsluttet (OFF)		
SW1	1	2	3	4	5																																																		
	ON	ON	ON	ON	ON																																																		
Port	A	B	C	D	E																																																		
Adresse	01					(SW11, 12)																																																	
		02	03	04	05	(sekventielle tal)																																																	
SW1	1	2	3	4	5	(6)																																																	
Port	A	B	C	D	E	ikke i brug																																																	

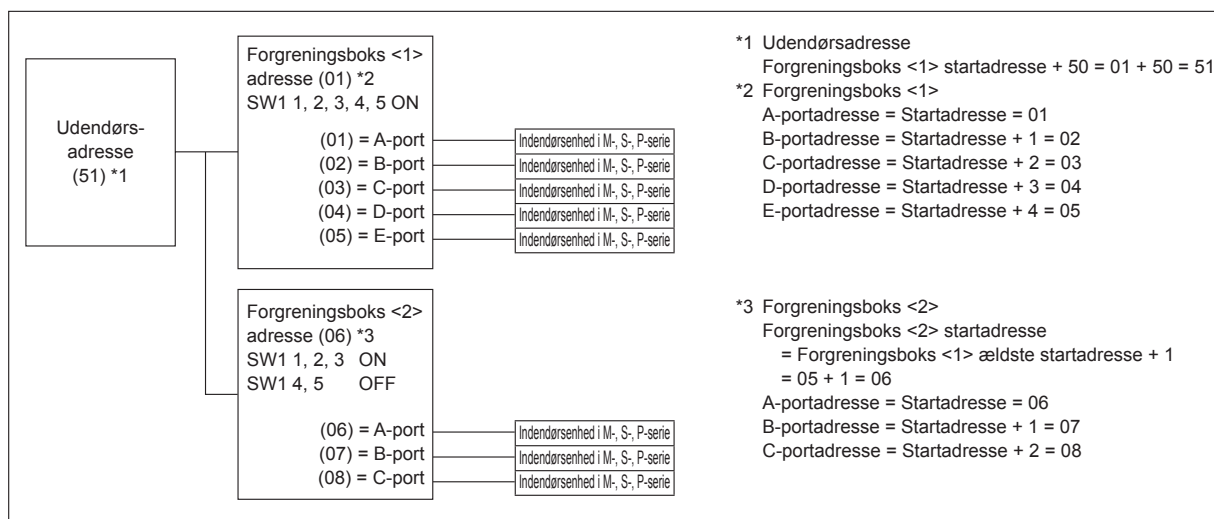
#### Bemærk: 1. Forgreningsboksadresse

Når du indstiller adressen, skal du bruge tal inden for intervallet 1-50.

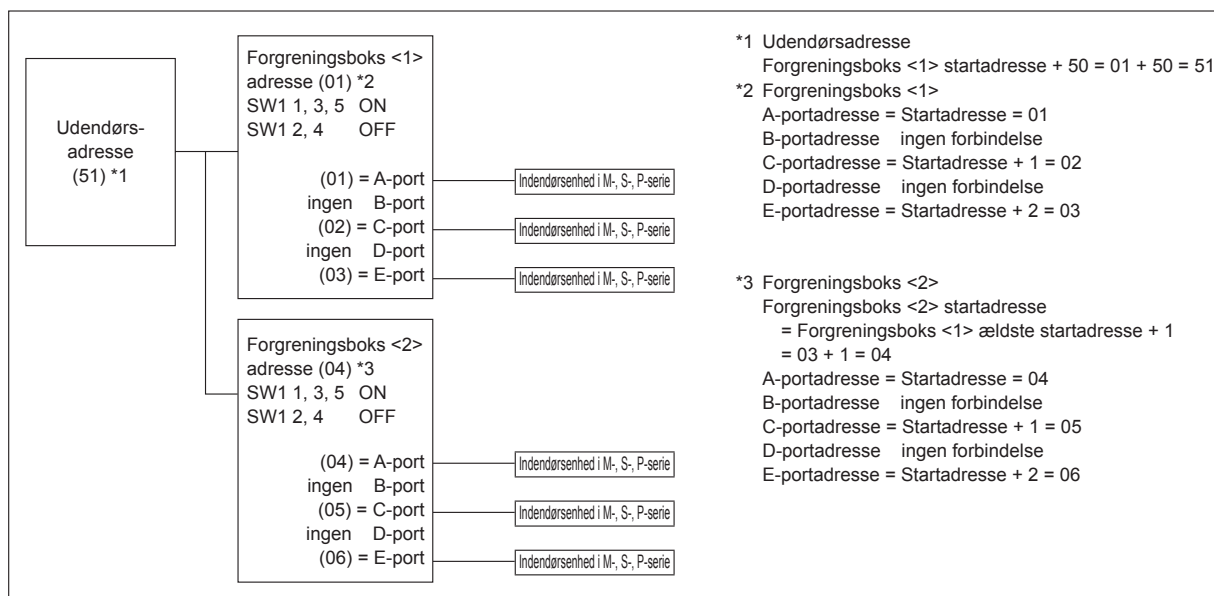
Eks. Den indstillede adresse er (47) og der er 5 indendørsenheder (A, B, C, D og E).

Hvis A: (47), B: (48), C: (49), D: (50) og E: (51), er E ukorrekt, fordi den overstiger 50.

Eks. 1. Udendørs + forgrening <1> (Indendørsenhed i M-, S-, P-serien A, B, C, D, E) + forgrening <2> (Indendørsenhed i M-, S-, P-serien A, B, C)

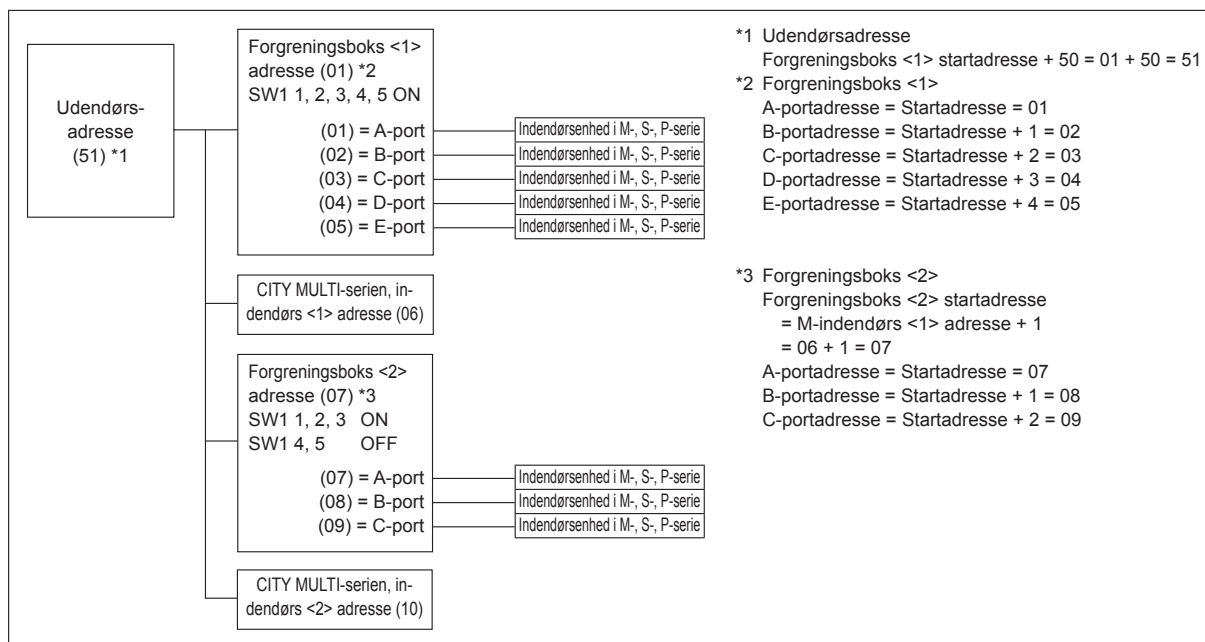


Eks. 2. Udendørs + forgrening <1> (Indendørsenhed i M-, S-, P-serien A, C, E) + forgrening <2> (Indendørsenhed i M-, S-, P-serien A, C, E)



## 6. Elektrisk arbejde

Eks. 3. Udendørs + forgrening <1> (Indendørsenhed i M-, S-, P-serien A, B, C, D, E) + forgrening <2> (Indendørsenhed i M-, S-, P-serien A, B, C) + indendørsenhed i CITY MULTI-serien <1> + indendørsenhed i CITY MULTI-serien <2>



## 7. Afprøvning

### 7.1. Før afprøvning

- ▶ Efter installation, ledningsføring og rørføring af indendørs og udendørs enheder er afsluttet, kontroller da for udsivning af kølemiddel, om ledningsføring til strømforsyning eller styring er løs og for fejlagtig polaritet, samt at der ikke er afbrydelse af én fase i strømforsyningen.
- ▶ Brug en 500-volt M-ohm-kontrolinstrument til at kontrollere, at modstanden mellem Strømforsyningsklemmerne og jorden er mindst 1 MΩ.
- ▶ Udfør ikke denne test på styreledningsføringen (lavspændingskredsløb) klemmer.

#### ⚠ Advarsel:

Brug ikke aircondition-enheden, hvis isoleringsmaterialets modstand er mindre end 1 MΩ.

#### Isoleringsmodstand

Efter installationen eller efter at strømforsyningen har være afbrudt i længere tid, vil isoleringsmodstanden falde til under 1 MΩ på grund af akkumulering af kølemiddel i kompressoren. Dette er ikke en fejlfunktion. Udfør følgende procedurer.

1. Afmonter ledningerne fra kompressoren og mål kompressorens isoleringsmodstand.
2. Hvis isoleringsmodstanden er under 1 MΩ, er der fejl ved kompressoren eller modstanden er faldet på grund af akkumuleringen af kølemiddel i kompressoren.

3. Når ledningerne er tilsluttet til kompressoren igen, vil kompressoren begynde at varme op, efter at strømmen er tilsluttet. Efter at have tilført strøm i de tider, der angivet nedenfor, måles isoleringsmodstanden igen.
  - Isoleringsmodstanden falder på grund af akkumuleringen af kølemiddel i kompressoren. Modstanden vil stige til over 1 MΩ efter at kompressoren har varmet op i 12 timer.  
(Den nødvendige tid til opvarmning af kompressoren varierer afhængig af de atmosfæriske betingelser og akkumuleringen af kølemiddel).
  - For at drive kompressoren med akkumuleret kølemiddel i kompressoren, skal den varmes op i mindst 12 timer for at forhindre nedbrud.
4. Hvis isoleringsmodstanden stiger over 1 MΩ, er der ingen fejl ved kompressoren.

#### ⚠ Forsigtig:

- **Kompressoren kører kun, hvis strømforsyningens faseforbindelse er korrekt.**
- **Tænd for anlægget mindst 12 timer før testkørslen.**
  - Start af driften lige efter, at der er tændt for anlægget, kan resultere i alvorlig skade på de interne dele. Strømkontakten skal stå på ON i hele driftsperioden.

#### ▶ Følgende punkter skal desuden kontrolleres.

- Udendørsenheden er ikke defekt. LED'en på udendørsenhedens hovedtavle blinker, når udendørsenheden er defekt.
- Både gas- og væskestopventilen er helt åben.

## 7.2. Afprøvning

### 7.2.1. Brug af fjernstyringen

Se installationsmanualen til indendørsenheden.

- Sørg for at udføre testkørslen for hver indendørsenhed. Kontroller, at hver indendørsenhed fungerer korrekt efter installationsmanualen, som er fastgjort til enheden.
- Hvis testkørslen udføres for alle indendørsenheder på én gang, kan der ikke registreres fejltilslutninger i kølemiddellørene og tilslutningskablerne.
- \* Kompressoren kan ikke køre i mindst 3 minutter efter, at strømmen tilsluttes.
- Kompressoren kan afgive støj umiddelbart efter, at strømmen er tilkoblet eller i tilfælde af lav temperatur uden for.
- Alt efter driftstilstanden, stopper ventilationen på udendørs enheden mens kompressoren betjenes. Dette er ikke en funktionsfejl.

#### Om genstart af beskyttelsesmekanismen

Når kompressoren stopper, aktiveres startspærren, så kompressoren ikke fungerer i 3 minutter, hvilket beskytter klimaanlægget.

## 7.3. Opsamling af kølemiddel (nedpumpning)

Udfør følgende procedurer for at opsamle kølemidlet, når indendørsenheden eller udendørsenheden flyttes.

- ① Sluk for hovedafbryderen.
- ② Slut lavtrykssiden af målermanifolden til forsyningsporten på gasstopventilen.
- ③ Luk væskestopventilen.
- ④ Tænd for strømforsyningen (hovedafbryder).
  - \* Opstart af indendørs-udendørs-kommunikation tager ca. 3 minutter, efter at der er tændt for strømmen (hovedafbryder). Start nedpumpningsfunktionen 3 til 4 minutter efter strømmen (hovedafbryder) er slået TIL (ON).
- ⑤ Bekræft, at SW3-2 er indstillet til OFF, og indstil herefter SW3-1 til ON for at udføre test af køling. Kompressoren (udendørsenhed) og ventilatorerne (indendørs- og udendørsenhedeme) begynder at køre, og test af køling starter. Efter køling har været i gang i ca. Straks efter test af køling skal udendørs-servicekontakten SW2-4 (nedpumpningskontakten) indstilles fra OFF til ON.
  - \* Anvend ikke funktionen i længere tid, når kontakten SW2-4 er sat til ON. Sørg for at sætte den til OFF, efter nedpumpningen er afsluttet.

- ⑥ Luk gasstopventilen helt, når trykket på måleren falder med 0,05 - 0,00 MPa (ca. 0,5 - 0,0 kgf/cm<sup>2</sup>)
- ⑦ Stop klima-anlægsfunktionen (SW3-1: OFF). Sæt udendørs-servicekontakten SW2-4 fra ON til OFF.
- ⑧ Sluk for strømforsyningen (hovedafbryder).
  - \* Hvis der er blevet fyldt for meget kølemiddel på klima-anlægget, er det ikke sikkert, at trykket falder til 0,05 MPa (0,5 kgf/cm<sup>2</sup>). Hvis dette sker, skal du bruge en enhed til opsamling af kølemiddel for at tømme alt kølemiddel af systemet og derefter fylde det igen med den korrekte mængde kølemiddel efter flytning af indendørs- og udendørsenhederne.

#### ⚠ Advarsel:

Ved nedpumpning af kølemiddel skal kompressoren stoppes, før kølerørene afmonteres. Kompressoren kan revne og forårsage personskade, hvis der kommer fremmede substanser som f.eks. luft ind i systemet.

# Innehåll

1. Säkerhetsåtgärder.....	200	5. Dräneringsrör .....	212
2. Plats för installation .....	202	6. Elektriska arbeten.....	212
3. Installation av utomhusenhet.....	205	7. Provkörning .....	221
4. Installera kylmedelsrör .....	205		

## ⚠ Försiktighet:

- Släpp inte ut R410A i atmosfären.

## Kontroll av bifogade delar

Förutom den här bruksanvisningen levereras följande del med utomhusenheten. Den används för att jorda S-uttaget på kopplingsplinten för överföring, TB7. Mer information finns i "6. Elektriska arbeten".



## 1. Säkerhetsåtgärder

- ▶ Innan du installerar enheten bör du läsa igenom samtliga "Säkerhetsåtgärder".
- ▶ Se till att elsystemets ansvarige underrättas och ger sitt godkännande innan systemet kopplas in.
- ▶ PUMY-P-VKM-serien överensstämmer med IEC/EN 61000-3-12
- ▶ PUMY-P-VKM- och PUMY-P-YKME-serierna är utformade för användning i hemmiljöer, kommersiella miljöer samt lätta industrimiljöer.
- ▶ PUMY-P-YKM-serien är avsedd att användas som professionell utrustning.
- ▶ När en ATW-inomhusenhet (EHST20C- och EHSC-serierna) ansluts till en trefasmodell ska PUMY-P-YKME4 användas.

## ⚠ Varning:

Anger försiktighetsmått som bör vidtas för att förhindra att användaren utsätts för fara eller risk.

## ⚠ Försiktighet:

Beskriver säkerhetsåtgärder som bör följas för att undvika att enheten skadas.

## ⚠ Varning:

- Enheten får inte installeras av användaren. Be en återförsäljare eller behörig tekniker installera enheten. Felaktig installation av enheten kan orsaka vattenläckage, elektriska stötar eller brand.
- Denna apparat är avsedd att användas av kunniga eller utbildade personer i butiker, lättare industrier, inom lantbruk eller kommersiellt av lekmän.
- Vid installationen, följ anvisningarna i installationsanvisningen och använd verktyg och rörkomponenter som är gjorda för att användas med köldmedlet R410A. Köldmedlet R410A i HFC-systemet är trycksatt till 1,6 gånger trycket hos vanliga köldmedel. Om man använder rörkomponenter som inte är konstruerade för köldmedlet R410A och enheterna inte installerats på rätt sätt, kan rören spricka och orsaka person- och maskinskador. Dessutom kan detta orsaka vattenläckage, elektriska stötar eller brand.
- Enheten ska installeras enligt anvisningarna för att risken för skador från jordbävningar, tyfoner och kraftig vind ska minimeras. En felaktigt installerad enhet kan falla ned och orsaka person- och maskinskador.
- Enheten måste fästas säkert på en konstruktion som kan bära dess vikt. Om enheten monteras på en instabil konstruktion, kan den falla ned och orsaka person- och maskinskador.
- Om luftkonditioneringen installeras i ett litet rum, måste man vidta åtgärder för att förhindra att köldmedelskoncentrationen i rummet överskrider säkerhetsgränsen i händelse av ett läckage. Rådfråga en återförsäljare om vilka åtgärder som måste vidtas för att förhindra att den tillåtna koncentrationen överskrider. Om köldmedlet läcker ut och gör att koncentrationen överskrider gränsen, kan risker uppstå på grund av syrebriest i rummet.
- Vädra rummet om köldmedel läcker ur vid drift. Om köldmedel kommer i kontakt med öppen låga kan giftiga gaser utvecklas.
- Alla elarbeten måste utföras av behörig tekniker enligt lokala föreskrifter och anvisningarna i denna manual. Enheterna måste matas via därför avsedda elledningar. Rätt spänning och överspänningsskydd måste användas. För klena elledningar eller felaktiga elinstallationer kan orsaka elektriska stötar eller brand.
- Använd C1220 koppar/fosfor till skarvfria rör av koppar eller kopparlegering för anslutning av kylmedelsrören. Om rören inte ansluts på rätt sätt, blir enheten inte ordentligt jordad och detta kan orsaka elektriska stötar.

När installationen är klar, förklara "Säkerhetsåtgärder" för enheten, hur den används och underhålls för kunden enligt informationen i bruksanvisningen och utför provkörningen för att kontrollera att den fungerar som den ska. Användaren ska behålla både installationsanvisningen och bruksanvisningen. Dessa manualer ska lämnas över till kommande användare.

⚡ : Indikerar en del som måste jordas.

## ⚠ Varning:

Läs noga texten på alla dekaleringar på huvudenheten.

- Använd endast angivna kablar för anslutningar. Anslutningarna måste göras på ett säkert sätt utan spänningar i terminalanslutningarna. Kablarna får aldrig skarvas (om inget annat anges i detta dokument). Om instruktionserna inte följs kan det leda till överhettning eller brand.
- Skyddet för kopplingsplinten på utomhusenheten måste fästas ordentligt. Om skyddet monteras på fel sätt och om damm och fukt tränger in i enheten, kan detta orsaka elektriska stötar eller brand.
- När du installerar, flyttar eller utför service på luftkonditioneringen får endast det angivna kylmedlet (R410A) användas för att ladda kylmedelsrören. Blanda inte med andra kylmedel och låt inte luft vara kvar i rören. Om luft blandas med kylmedel kan det orsaka onormalt högt tryck i kylmedelsrören, vilket kan leda till explosion och andra faror.
- Användning av annat kylmedel än det som specificeras för systemet orsakar mekaniska fel, systemfel eller haveri. I värsta fall kan det leda till en allvarlig brist som hotar produktens säkerhet.
- Använd endast tillbehör som är godkända av Mitsubishi Electric och be en återförsäljare eller behörig tekniker installera dem. Felaktig installation av tillbehör kan orsaka vattenläckage, elektriska stötar eller brand.
- Förändra inte enheten. Kontakta en återförsäljare för reparationer. Felaktiga ändringar och reparationer av enheten kan orsaka vattenläckage, elektriska stötar eller brand.
- Användaren ska aldrig försöka reparera eller flytta enheten själv. Felaktig installation av enheten kan orsaka vattenläckage, elektriska stötar eller brand. Om luftkonditioneringen måste repareras eller flyttas, be en återförsäljare eller behörig tekniker.
- När installationen är klar, kontrollera att det inte läcker ut köldmedel. Om det läcker ut köldmedel i rummet och det kommer i kontakt med lågan i en värmare eller campingkök, utvecklas giftiga gaser.
- Enheten ska installeras i enlighet med de nationella bestämmelserna rörande ledningsdragning.
- Om nätströmssladden skadas måste den bytas av tillverkaren, dennes serviceombud eller annan person med liknande kvalifikationer för att undvika risker.



# 1. Säkerhetsåtgärder

## 1.1. Före installationen

### ⚠ Försiktighet:

- Använd inte enheten på ovanliga ställen. Om luftkonditioneringen installeras i ett område som utsätts för ånga, flyktiga oljor (inklusive maskinolja) eller svavelhaltiga gaser, eller i områden med hög saltkoncentration som i kustområden, eller områden där enheten kommer att täckas av snö, kan dess prestanda försämrans avsevärt och dess inre delar kan skadas.
- Installera inte enheten där brännbara gaser kan läcka ut, skapas, strömma ut eller ansamlas. Om brännbara gaser ansamlas runt enheten kan det orsaka brand eller explosion.
- Utomhusenheten skapar kondens vid värmning. Se till att det finns dränering runt utomhusenheten om det finns risk för att sådan kondens orsakar skador.
- Vid installation av enheten i ett sjukhus eller där det finns datakommunikation, var beredd på störande ljud och elektriska störningar. Växelriktare, hushållsapparater, högfrekvent, medicinsk utrustning och utrustning för radiokommunikation kan göra att luftkonditioneringen inte fungerar eller skadas. Luftkonditionering kan även påverka medicinsk utrustning, vilken kan störa värden, och kommunikationsutrustning, vilket kan störa bildkvaliteten.

## 1.2. Före installationen (flyttning)

### ⚠ Försiktighet:

- Var ytterst försiktig vid transport av enheterna. Det krävs två eller flera personer för att hantera enheten, eftersom den väger 20 kg eller mer. Lyft inte i packbanden. Använd skyddshandskar när du tar ut enheten ur förpackningen och när du flyttar den, eftersom du kan skada händerna på kylplåtarna och övriga delar.
- Gör dig av med förpackningsmaterialet på ett säkert sätt. Förpackningsmaterial, som spikar och andra delar av metall eller trä, kan orsaka sticksår och andra skador.
- Utomhusenhetens fundament och fästen ska kontrolleras regelbundet så att de inte är lösa, har sprickor eller andra skador. Om sådana felaktigheter inte korrigeras, kan enheten falla ned och orsaka person- eller maskinskador.
- Rengör inte luftkonditioneringen med vatten. Det kan orsaka elektriska stötar.
- Dra åt alla flänsmuttrar med en momentnyckel enligt specifikationen. Om de dras åt för hårt, kan flänsmuttrarna gå sönder efter en tid och köldmedel kan läcka ut.

## 1.3. Före elarbeten

### ⚠ Försiktighet:

- Montera överspänningsskydd. Om sådana inte monteras, kan det orsaka elektriska stötar.
- Använd tillräckligt grova standardkablar för elledningarna. Annars kan det orsaka kortslutning, överhettning eller brand.
- Vid installation av elledningarna, belasta inte kablarna. Om anslutningarna lossas kan kablarna gå av och det kan orsaka överhettning eller brand.
- Jorda enheten. Anslut inte jordledningen till gas- eller vattenledningar, åskledare eller telefonens jordledning. Felaktig jordning av enheten kan orsaka elektriska stötar.
- Använd överspänningsskydd (jordfelsbrytare, fränkskjutare (+B-säkring) och helgjutna överspänningsskydd) med angiven kapacitet. Om kapaciteten för överspänningsskyddet är större än angiven kapacitet, kan detta orsaka haveri eller brand.

## 1.4. Innan du startar provkörningen

### ⚠ Försiktighet:

- Slå på strömmen minst 12 timmar innan provkörningen startas. Om provkörningen startas omedelbart efter det att strömmen slagits på, kan interna delar skadas allvarligt. Låt strömbrytaren vara inkopplad under driftssäsongen.
- Innan du startar provkörningen, kontrollera att alla paneler, skydd och annan skyddsutrustning är korrekt monterad. Roterande eller heta delar eller högspänningsdelar kan orsaka personskador.
- Rör inte vid några omkopplare med svettiga händer. Det kan orsaka elektriska stötar.
- Rör inte vid köldmedelsrören med bara händer när enheten är igång. Köldmedelsrören är varma eller kalla beroende på det köldmedel som strömmar genom dem. Om du rör vid rören kan du få frost- eller brännskador.
- Efter körningen, vänta minst fem minuter innan du slår från strömbrytaren. Annars kan det uppstå vattenläckage eller haveri.

## 1.5. Använda luftkonditioneringar med köldmedlet R410A

### ⚠ Försiktighet:

- Använd C1220 koppar/fosfor till skarvfria rör av koppar eller kopparlegering för anslutning av kylmedelsrören. Kontrollera att rörens insidor är rena och inte innehåller skadliga föreningar som svavelhaltiga föreningar, oxider, skräp eller damm. Använd rör med angiven tjocklek. (se sidan 205) Observera följande om du återanvänder befintliga rör som innehållit köldmedlet R22.
  - Byt befintliga flänsmuttrar och flänsa ut flänsarna igen.
  - Använd inte tunna rör. (Se sidan 205)
- Lagra de rör som ska användas vid installationen inomhus och håll båda ändarna av rören förseglade tills strax innan du ska löda dem. (Låt knärör osv ligga kvar i förpackningen.) Om damm, skräp eller fukt kommer in i köldmedelsrören, kan detta orsaka försämring av oljan eller kompressorhaveri.
- Använd olja med ester, eter, alkylbensen (liten mängd) som den köldmedelsolja som används på flänsarna. Om mineralolja blandas med köldmedelsolja kan detta orsaka försämring av oljan.
- Använd inget annat köldmedel än R410A. Om något annat köldmedel används, gör kloret att oljan försämrans.
- Använd följande verktyg, som är specialkonstruerade för att användas med köldmedlet R410A. Det är nödvändigt att använda följande verktyg med köldmedlet R410A. Kontakta närmaste återförsäljare om du har några frågor.

Verktyg (till R410A)	
Mätlocka	Flänsverktyg
Påfyllningsslang	Instrument för storleksinställning
Gasläckagedetektor	Vakuumpumpadapter
Momentnyckel	Elektronisk våg för köldmedelspåfyllning

- Använd rätt verktyg. Om damm, skräp eller fukt kommer in i köldmedelsrören, kan detta orsaka försämring av köldmedelsolja.
- Använd inte en påfyllningscylinder. Om en påfyllningscylinder används, ändras köldmedlets sammansättning och dess effektivitet minskar.

## 2. Plats för installation

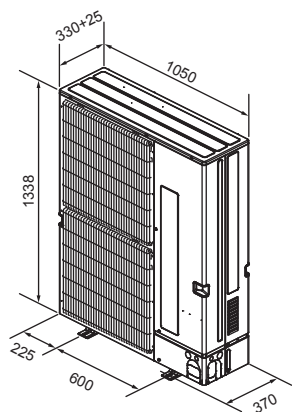


Fig. 2-1

Tabell 2 Antal inomhusenheter som kan anslutas

• City Multi-inomhusenheter

P112	1-9 *1
P125	1-10 *2
P140	1-12 *3

\*1 När inomhusenheter i M-serien ansluts via anslutningsatts kan 10 inomhusenheter anslutas.

\*2 När inomhusenheter i M-serien ansluts via anslutningsatts kan 12 inomhusenheter anslutas.

\*3 När alla inomhusenheter är P15-modeller kan 12 inomhusenheter anslutas.

• Avgreningsdosesystem (inomhusenheter i M, S, P-serien via avgreningsdosa)

P112	2-8
P125	2-8
P140	2-8

• Blandat system (City Multi-inomhusenheter och inomhusenheter i M, S, P-serien via avgreningsdosa)

	En avgreningsdosa		Två avgreningsdosor	
	Via avgreningsdosa	City Multi inomhus	Via avgreningsdosa	City Multi inomhus
P112	Max. 5	Max. 5*1	Max. 7 Max. 8	Max. 3*1 Max. 2*1
P125	Max. 5	Max. 5*1	Max. 8	Max. 3*1
P140	Max. 5	Max. 5*1	Max. 8	Max. 3*1

\*1 Inomhusenheter av typerna PKFY-P-VBM, PFFY-P-VKM och PFFY-P-VL\* kan inte användas i ett blandat system.

Tabell 3 PWFY-enhetens specifikationer

Modell		PWFY-P100VM-E-AU
Temp.område för uppvärmning	Utomhustemp.	-15 till 21 °C (Torr lampa), -15 till 15 °C (Våt lampa)
	Inloppsvattnets temp.	10 till 45 °C
Temp.område för nedkylning	Utomhustemp.	-
	Inloppsvattnets temp.	-

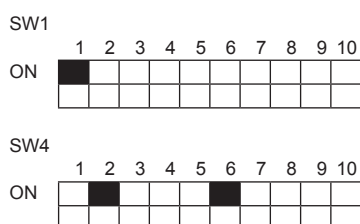


Fig. 2-2

### 2.1. Kylmedelsrör

Se Fig. 4-1.

### 2.2. Välja plats för utomhusenheten

- Undvik platser som utsätts för direkt solljus eller andra värmekällor.
- Välj en plats där det ljud som enheten avger inte stör grannarna.
- Välj en plats där det är enkelt att koppla in elledningar och att komma åt rören, spänningskällan och inomhusenheten.
- Undvik platser där brännbara gaser kan läcka ut, skapas, strömma ut eller ansamlas.
- Observera att vatten kan droppa från enheten under drift.
- Välj en vägrät plats som kan bära upp enhetens vikt och klara dess vibrationer.
- Undvik platser där enheten kan täckas av snö. I områden där man kan förvänta sig kraftiga snöfall, måste speciella åtgärder som att höja upp installationen eller installera en huv på luftintaget vidtas, för att förhindra att snön blockerar luftintaget eller blåser in direkt i det. Det kan minska luftflödet, vilket kan orsaka fel.
- Undvik platser som utsätts för olja, ånga eller svavelhaltiga gaser.
- Använd transporthandtagen på utomhusenheten för att transportera enheten. Om man bär enheten under till, kan händer och fingrar klämmas.

### 2.3. Yttre dimensioner (Utomhusenhet) (Fig. 2-1)

#### Restriktioner vid installation av inomhusenhet

Notera att de modeller av inomhusenheter som kan anslutas till denna utomhusenhet är följande:

- Inomhusenheter med modellnummer 15-140 kan anslutas. Vid användning av Avgreningsdosa, kan Inomhusenheter med modellnummer 15-100 anslutas. Se tabell 1 nedan för möjliga kombinationer av rum och inomhusenheter.

#### Verifiering

Den nominella kapaciteten kan avgöras med hänvisning till tabellen nedan. Enheternas antal begränsas så som visas i tabell 2 nedan. Som nästa steg ska du kontrollera att den totala, nominella kapaciteten ligger inom området 50% - 130% av utomhusenhetens kapacitet.

- PUMY-P112 6,3 - 16,2 kW
- PUMY-P125 7,1 - 18,2 kW
- PUMY-P140 8,0 - 20,2 kW

Tabell 1-1 City Multi-inomhusenheter (P-FY-serien)

Typ av inomhusenhet	P15*	P20	P25	P32	P40	P50	P63	P71	P80	P100	P125	P140
Märkström (Kyla) (kW)	1,7	2,2	2,8	3,6	4,5	5,6	7,1	8,0	9,0	11,2	14,0	16,0

Tabell 1-2 (M series, P series, S series)

Typ av inomhusenhet	15	20	22	25	35	42	50	60	71	80	100
Märkström (Kyla) (kW)	1,5	2,0	2,2	2,5	3,5	4,2	5,0	6,0	7,1	8,0	10,0

Kombinationer i vilka den totala kapaciteten för inomhusenheter överskrider kapaciteten för utomhusenheten kommer att sänka kylförmågan för var och en av inomhusenheterna under deras märkta kyleffekt. Kombinera därför inomhusenheterna inom kapaciteten för utomhusenhetens kapacitet, om så är möjligt.

\* När alla inomhusenheter är på P15, kan 12 inomhusenheter anslutas till 1 utomhusenhet.

### 2.4. Ansluta en PWFY-enhet

Vi ber dig observera följande punkter när en PWFY-enhet används som inomhusenhet eftersom PWFY-enheterna skiljer sig från andra inomhusenheter.

En PWFY-enhet kan inte anslutas inom EU.

#### 2.4.1. Begränsningar vid anslutning

• Endast 1 PWFY-P100VM-E-AU kan anslutas. PWFY-P200VM-E-AU och PWFY-P100VM-E-BU kan inte anslutas.

• PWFY-enheten kan inte vara den enda enheten som är ansluten till en utomhusenhet. Välj en utomhusenhet där den totala nominella kapaciteten för inomhusenheterna, utom PWFY-enheten, är 50 - 100 % av utomhusenhetens kapacitet.

Begränsningar för inomhusenheternas totala nominella kapacitet när en PWFY-enhet ansluts

- PUMY-P112 (1 PWFY-enhet + Andra enheter än PWFY [6,3 - 12,5 kW])
- PUMY-P125 (1 PWFY-enhet + Andra enheter än PWFY [7,1 - 14,0 kW])
- PUMY-P140 (1 PWFY-enhet + Andra enheter än PWFY [8,0 - 15,5 kW])

#### 2.4.2. Inomhusenhetens specifikationer

- Följande specifikationer ändras när en PWFY-enhet ansluts till en PUMY-enhet.
- PWFY-enheten kan bara drivas i uppvärmningsläge. PWFY-enheten kan inte drivas i nedkylningsläge. Andra inomhusenheter än PWFY-enheten kan dock drivas i nedkylningsläge.
- Andra inomhusenheter kan inte drivas samtidigt med PWFY-enheten.
- PWFY-enheten har prioritet. De övriga inomhusenheterna stoppas när PWFY-enheten är i driftläge.
- Temperaturinställningen på fjärrkontrollen är målvärdet för utloppsvattnets temperatur.

#### 2.4.3. Omkopplarinställningar (Fig. 2-2)

Ställ in DIP-omkopplarna SW1-1, SW4-2 och SW4-6 på PWFY-enheten på ON när en PWFY-enhet ansluts till en PUMY-enhet.

#### 2.4.4. Provkörning

Om testkörningen utförs med omkopplarna på utomhusenheten kommer PWFY-enheten inte att fungera. Utför testkörningen med omkopplarna på PWFY-enheten eller fjärrkontrollen.

Mer information om testkörningen finns i databoken eller PWFY-enhetens servicehandbok.

#### 2.4.5. Återvinning av köldmedel (nedsugning)

I steg ① i återvinningsproceduren står det "driv alla inomhusenheter i nedkylningsläge". PWFY-enheten kan inte drivas i nedkylningsläge.

Driv därför alla inomhusenheter, utom PWFY-enheten, i nedkylningsläge.

## 2. Plats för installation

### 2.5. Att ansluta en cylinder- (EHST20C) eller hydroboxenhet (EHSC)

Vi ber dig observera följande punkter vid anslutning av en cylinder- eller hydroboxenhet, eftersom cylinder- och hydroboxenheterna skiljer sig från andra inomhusenheter.

#### 2.5.1. Begränsningar vid anslutning

- Det är endast möjligt att ansluta en cylinderenhet (EHST20C) eller en hydroboxenhet (EHSC).
- (Följande kan inte anslutas: EHST20C-MEC, EHST20D-serien, EHPT20X-serien, EHSD-serien, EHSC-MEC, ERSD-serien, ERSC-serien och EHPX-serien.)
- Vid anslutning av Ecodan-system ska en förgreningsdosa av typ PAC-MK32/52BC(B) användas. (En PAC-MK31/51BC(B)-avgreningsdosa kan inte användas.)
- PWFY-enheter kan inte anslutas samtidigt som en cylinder- eller hydroboxenhet.
- ATA-inomhusenheter\*1 med en total angiven kapacitet på 50–130 % av utomhusenhetens kapacitet och en cylinder- eller en hydroboxenhet kan anslutas.

\*1 ATA-inomhusenhet: en inomhusenhet exklusive PWFY, cylinderenhet och hydroboxenhet.

PUMY-P112 En cylinderenhet eller en hydroboxenhet + ATA-inomhusenheter [max 16,2 (1,3\*2) kW]

PUMY-P125 En cylinderenhet eller en hydroboxenhet + ATA-inomhusenheter [max 18,2 (2,8\*2) kW]

PUMY-P140 En cylinderenhet eller en hydroboxenhet + ATA-inomhusenheter [max 20,2 (4,3\*2) kW]

\*2 Om en cylinder- eller hydroboxenhet drivs i uppvärmningsläge/DHW-läge och en ATA-enhet drivs samtidigt.

Följande kombinationer kan emellertid anslutas.

- PUMY-P112: MSZ-SF15VE × 1
- PUMY-P125: MSZ-SF15VE × 2
- PUMY-P140: MSZ-SF15VE × 3

#### 2.5.2. Inomhusenhetens specifikationer

Följande specifikationer ändras när en cylinder- eller hydroboxenhet ansluts.

- Cylinder- eller hydroboxenheten kan inte drivas i nedkylningsläge.
- Driftläget på cylinder- eller hydroboxenheten har alltid prioritet.
- Ekonomiläget för DHW-produktion kan inte användas.
- Maximal flödestemperatur är 55 °C. (Dip SW1-2 på Cylinder- eller Hydroboxenheten måste ändras till läge OFF.)
- Energiövervakning kan endast användas när en extern effektmätare är ansluten.
- Multipla utomhusenheter kan inte styras.
- En cylinder- eller hydroboxenhet kan inte anslutas till en M-NET fjärrkontroll och en centraliserad styrning.
- Föregling av pannan kan endast användas vid växling till utomhustemperatur.
- En cylinder- eller hydroboxenhet kan inte grupperas med en ATA-inomhusenhet.
- Om en cylinder- eller hydroboxenhet drivs i **Uppvärmningsläge** och ATA-inomhusenheter drivs samtidigt ska nedanstående punkter observeras.
  - Cylinder- eller hydroboxenhetens intervall för uppvärmningsflödestemperatur är 45 °C–55 °C.
  - Ställ in temperaturintervallet i enlighet med installationsanvisningen för cylindern eller hydroboxen.
  - Utomhustemperaturen får endast vara –10 °C eller mer. Om utomhustemperaturen är lägre än 7 °C sänks flödestemperaturen och utblåsningstemperaturen.
- Om en cylinder- eller hydroboxenhet drivs i **DHW-läge** och en ATA-inomhusenhet drivs samtidigt får utomhustemperaturen endast vara 7 °C eller mer. Om utomhustemperaturen är lägre än 7 °C kan de inte drivas samtidigt.

#### 2.5.3. Omkopplarinställningar

Vid anslutning av en Cylinder- eller Hydroboxenhet till en PUMY-enhet, ställ in DIP-omkopplare SW1-2 på Cylinder- eller Hydroboxenheten i läge OFF.

#### 2.5.4. Testkörning

Genomför testkörningen för cylinder- eller hydroboxenheten från inomhusenheten.

(Detaljerad information om testkörningen finns i installationshandboken för cylinder- eller hydroboxenheten.)

#### 2.5.5. Återvinning av köldmedel (nedsugning)

Utför procedurerna i 7.3.

### 2.6. Ansluta en inomhusenhet (endast kylning)

Om ett system består av en eller flera inomhusenheter (endast kylning) ställer du in hela systemet som kylsystem.

Ställ in enheterna enligt tabell 4.

Tabell 4 Inställningsprocedur för endast kylning

Enhet		Inställning
Utomhusenhet	PUMY-P-V/YKM(E)4	DIP-omkopplare SW2-6 på kretskortet för multistyrning: PÅ
Avgreningsdosa	PAC-MK-BC(B)	DIP-omkopplare SW4-5 på kretskortet för styrning av avgreningsdosa: PÅ
Inomhusenhet	CITY MULTI-serien	DIP-omkopplare SW3-1 på kretskortet för styrning av inomhusenhet: PÅ
	M-, S- och P-serien	Inställning ej nödvändigt.

### 2.7. Ansluta en PEFY-P-VMA3-E

Om en PEFY-P-VMA3-E används ska nedanstående kombinationer användas för de anslutna inomhusenheterna.

	PUMY-P112	PUMY-P125	PUMY-P140
OK	PEFY-P25VMA3-E × 2 + PEFY-P32VMA3-E × 2	PEFY-P32VMA3-E × 4	PEFY-P32VMA3-E × 3 + PEFY-P40VMA3-E × 1
NEJ	Alla kombinationer exklusive kombinationerna ovan Ex. 1: PEFY-P25VMA3-E × 2 + PEFY-P32VMA3-E × 2 Ex. 2: PEFY-P25VMA3-E × 2 + PEFY-P32VMA3-E × 1 Ex. 3: PEFY-P32VMA3-E × 4 (en kombination för en PUMY-P125) Ex. 4: PEFY-P25VMA3-E × 2 + PEFY-P32VMA3-E × 2 + MSZ-FH25VE × 1	Alla kombinationer exklusive kombinationerna ovan Ex. 1: PEFY-P32VMA3-E × 3 + PEFY-P32VMA3-E × 1 Ex. 2: PEFY-P32VMA3-E × 3 Ex. 3: PEFY-P25VMA3-E × 2 + PEFY-P32VMA3-E × 2 (en kombination för en PUMY-P112) Ex. 4: PEFY-P32VMA3-E × 3 + PLFY-P20VFM-E × 1 + SEZ-KD25VA × 1	Alla kombinationer exklusive kombinationerna ovan Ex. 1: PEFY-P32VMA3-E × 3 + PEFY-P40VMA3-E × 1 Ex. 2: PEFY-P32VMA3-E × 2 + PEFY-P40VMA3-E × 1 Ex. 3: PEFY-P32VMA3-E × 4 (en kombination för en PUMY-P125) Ex. 4: PEFY-P32VMA3-E × 3 + PCFY-P40VKM-E × 1 + MSZ-SF15VA × 1

Ex. 1: En dold takenhet från en annan serie än VMA3 väljs. Det är inte möjligt att kombinera med en dold takenhet från en annan serie.  
Ex. 2: Antalet enheter är felaktigt.  
Ex. 3: Kombinationen gäller för en enhet med en annan kapacitet.  
Ex. 4: Kombinationen är inte en "OK" kombination.

### 2.8. Ansluta en PLFY-EP-VEM-E

För PLFY-EP-VEM-E kan upp till 2 enheter anslutas.

Andra inomhusenheter\*1 kan anslutas inom den sammanlagda klassade kapaciteten och det maximala antalet anslutna enheter.

\*1 Exklusive PEFY-P-VMA3-E och PEFY-P-VMH-EF.

## 2. Plats för installation

### 2.9. Ventilation och utrymme för underhåll

#### 2.9.1. Vid installation av en enskilda utomhusenhet

De minsta måtten är följande, utom där max. anges vilket står för maximala mått. Hänvisa till siffrorna i enskilda fall.

- ① Enbart hinder på baksidan (Fig. 2-3)
- ② Enbart hinder på baksidan och ovsidan (Fig. 2-4)
  - Använd inte de extra styrningarna för luftutblåsen för luftflöden uppåt.
- ③ Enbart hinder på baksidan och sidorna (Fig. 2-5)
  - \* Vid användande av en extra styrning för luftutblåset, är avståndet 500 mm eller mer.
- ④ Enbart hinder på framsidan (Fig. 2-6)
  - \* Vid användande av en extra styrning för luftutblåset, är avståndet 1000 mm eller mer.
- ⑤ Enbart hinder på framsidan och baksidan (Fig. 2-7)
  - \* Vid användande av en extra styrning för luftutblåset, är avståndet 500 mm eller mer.
- ⑥ Enbart hinder på baksidan, sidorna och ovsidan (Fig. 2-8)
  - Använd inte de extra styrningarna för luftutblåsen för luftflöden uppåt.

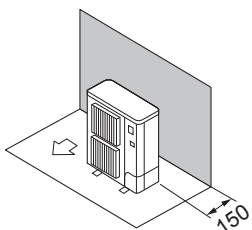


Fig. 2-3

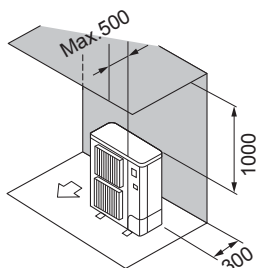


Fig. 2-4

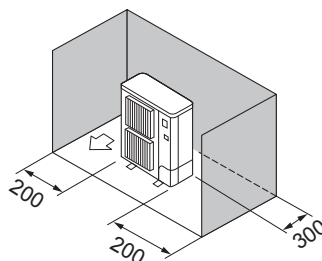


Fig. 2-5

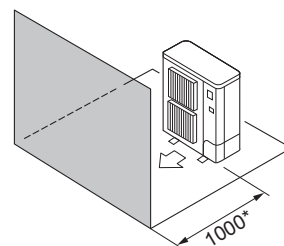


Fig. 2-6

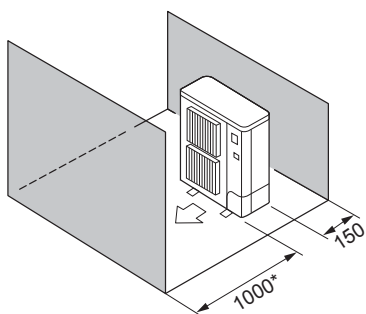


Fig. 2-7

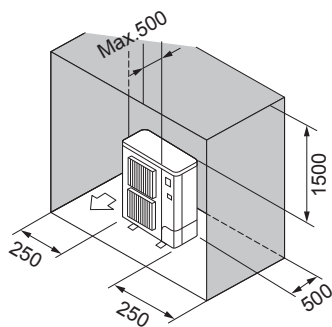


Fig. 2-8

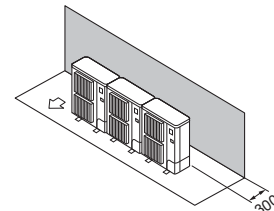


Fig. 2-9

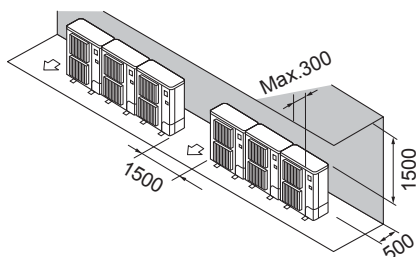


Fig. 2-10

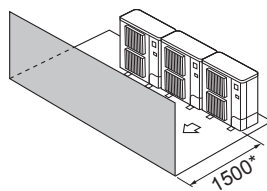


Fig. 2-11

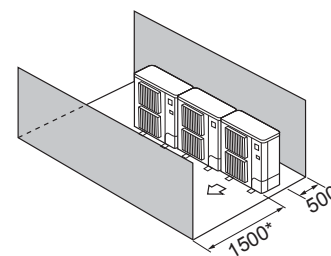


Fig. 2-12

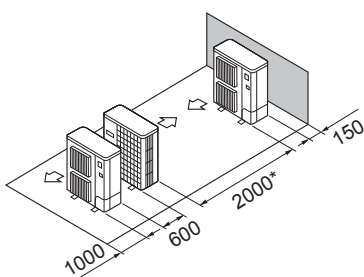


Fig. 2-13

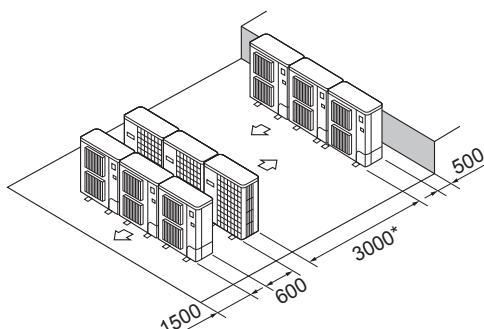


Fig. 2-14

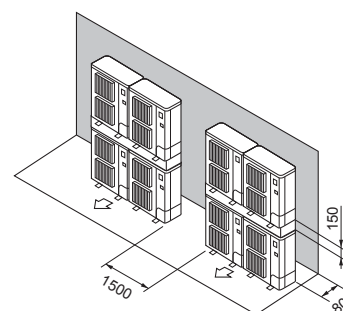


Fig. 2-15

#### 2.9.2. Vid installation av flera utomhusenheter

Lämna minst 25 mm fritt utrymme mellan enheterna.

- ① Enbart hinder på baksidan (Fig. 2-9)
- ② Enbart hinder på baksidan och ovsidan (Fig. 2-10)
  - Installera inte fler än tre enheter bredvid varandra. Lämna dessutom avstånd mellan dem enligt bilden.
  - Använd inte de extra styrningarna för luftutblåsen för luftflöden uppåt.
- ③ Enbart hinder på framsidan (Fig. 2-11)
  - \* Vid användande av en extra styrning för luftutblåset, är avståndet 1000 mm eller mer.
- ④ Enbart hinder på framsidan och baksidan (Fig. 2-12)
  - \* Vid användande av en extra styrning för luftutblåset, är avståndet 1000 mm eller mer.
- ⑤ Uppställning med en enskilda parallell enhet (Fig. 2-13)
  - \* När en extra styrning för luftutblåset för luftflöden uppåt används, är avståndet 1000 mm eller mer.
- ⑥ Uppställning med flera parallella enheter (Fig. 2-14)
  - \* När en extra styrning för luftutblåset för luftflöden uppåt används, är avståndet 1500 mm eller mer.
- ⑦ Uppställning med staplade enheter (Fig. 2-15)
  - Enheterna kan staplas upp till två på höjden.
  - Installera inte fler än två staplade enheter bredvid varandra. Lämna dessutom avstånd mellan dem enligt bilden.

## 2. Plats för installation

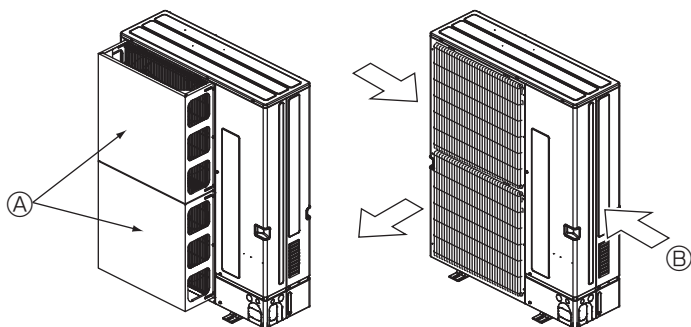


Fig. 2-16

Fig. 2-17

### 2.9.3. Installation på blåsiga platser

Vid installation av utomhusenheten på tak eller andra platser som är utsatta för vinden, placera enhetens utblås så att det inte utsätts direkt för kraftig vind. Kraftig vind som kommer in i luftutblåset kan försämra det normala luftflödet, vilket kan orsaka fel. Två exempel på försiktighetsåtgärder mot stark bläst visas nedan.

- ① Montera en luftledare (tillval) om enheten installeras på en plats där starka vindar, t.ex. vid en storm, direkt kan tränga in i luftutblåset. (Fig. 2-16)
  - Ⓐ Luftledare
- ② Placera om det går enheten så att luftutblåset blåser vinkelrätt mot den säsongsbetingade vindriktningen. (Fig. 2-17)
  - Ⓑ Vindriktning

## 3. Installation av utomhusenhet

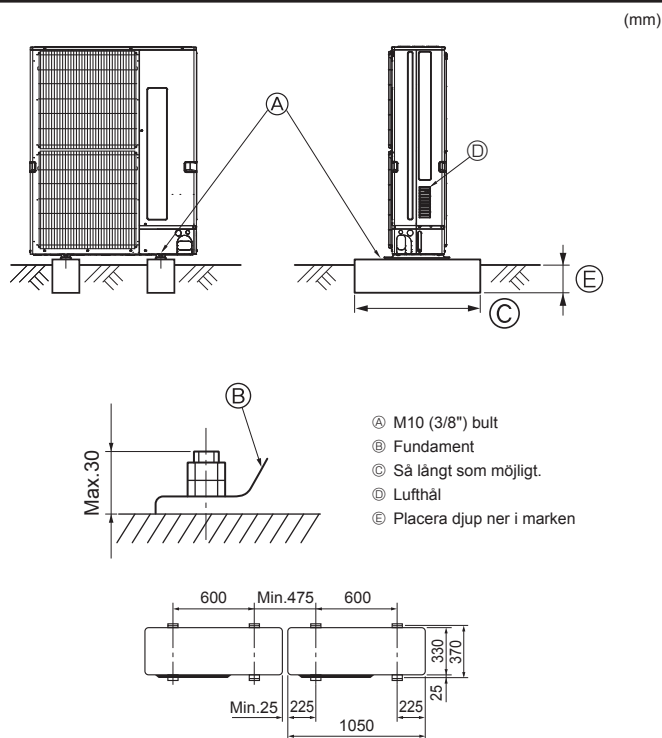


Fig. 3-1

- Se till att enheten monteras på ett stabilt och jämnt underlag för att förhindra skallrande ljud under pågående drift. (Fig. 3-1)

<Specifikationer för fundament>

Fundamentbult	M10 (3/8")
Betongtjocklek	120 mm
Bultlängd	70 mm
Viktbärande kapacitet	320 kg

- Se till att fundamentbultens längd ligger inom 30 mm av fundamentets bottenyta.
- Säkra enhetens fundament så det sitter säkert med fyra M10 fundamentbultar på stadiga platser.

### Installera utomhusenheten

- Blockera inte lufthålet. Om lufthålet blockeras, hindras driften och detta kan orsaka haveri.
- Förutom enhetens fundament kan man vid behov använda monteringshål på enhetens baksida för att fästa ledningar osv. Använd självgående skruvar (ø5 × 15 mm eller mindre) och montera den på platsen.

### ⚠ Varning:

- **Enheten måste fästas säkert på en konstruktion som kan bära dess vikt. Om enheten monteras på en instabil konstruktion, kan den falla ned och orsaka person- och maskinskador.**
- **Enheten ska installeras enligt anvisningarna för att risken för skador från jordbävningar, tyfoner och kraftig vind ska minimeras. En felaktigt installerad enhet kan falla ned och orsaka person- och maskinskador.**

### ⚠ Försiktighet:

- Installera enheten på en stabil konstruktion för att förhindra höga driftljud eller vibrationer.

## 4. Installera kylmedelsrör

### 4.1. Försiktighetsåtgärder för enheter som använder köldmedlet R410A

- Se sidan 201 för försiktighetsåtgärder som inte finns med nedan om hur man använder luftkonditioneringar med köldmedlet R410A.
- Använd olja med ester, eter, alkylbensen (liten mängd) som den köldmedelsolja som används på flänsarna.
- Använd C1220 koppar/fosfor till skarvfria rör av koppar eller kopparlegering för anslutning av kylmedelsrören. Använd köldmedelsrör med den tjocklek som anges i tabellen nedan. Kontrollera att rörens insidor är rena och inte innehåller skadliga föroreningar som svavelhaltiga föreningar, oxider, skräp eller damm.

### ⚠ Varning:

När du installerar, flyttar eller utför service på luftkonditioneringen får endast det angivna kylmedlet (R410A) användas för att ladda kylmedelsrören. Blanda inte med andra kylmedel och låt inte luft vara kvar i rören. Om luft blandas med kylmedel kan det orsaka onormalt högt tryck i kylmedelsrören, vilket kan leda till explosion och andra faror. Användning av annat kylmedel än det som specificeras för systemet orsakar mekaniska fel, systemfel eller haveri. I värsta fall kan det leda till en allvarlig brist som hotar produktens säkerhet.

ø6,35, ø9,52, ø12,7	Tjocklek 0,8 mm
ø15,88	Tjocklek 1,0 mm

- Använd inte tunnare rör än dem som anges ovan.
- Tjockleken som anges i tabellen ovan är baserade på japanska standarder. Använd rör med maximalt arbetstryck på 4,15 MPa [601 PSIG] eller högre i enlighet med lokala standarder.

## 4. Installera kylmedelsrör

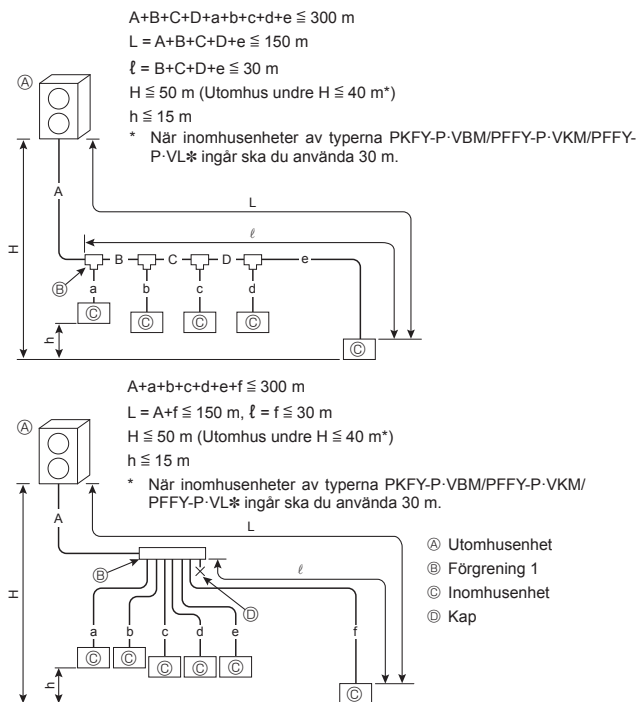


Fig. 4-1

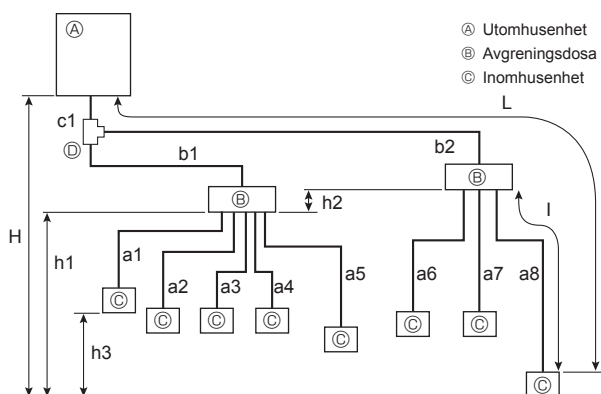


Fig. 4-2

Tillåten längd (ena hållet)	Rörledningens total längd	$c1 + b1 + b2 + a1 + a2 + a3 + a4 + a5 + a6 + a7 + a8 \leq 150$ m
	Längsta rörledningslängd (L)	$c1 + b2 + a8 \leq 80$ m
	Rörledningslängd mellan utomhusenhet och avgreningsdosor	$c1 + b1 + b2 \leq 55$ m
	Avgreningsdosa längst bort från första förgreningspunkten (b2)	$b2 \leq 30$ m
	Längsta rörledningslängd efter avgreningsdosa (I)	$a8 \leq 25$ m
	Total rörledningslängd mellan avgreningsdosor och inomhusenhet	$a1 + a2 + a3 + a4 + a5 + a6 + a7 + a8 \leq 95$ m
Tillåten höjdskillnad (ena hållet)	I inomhus/utomhus-sektion (H) *1	$H \leq 50$ m (För det fall utomhusenheten är placerad högre än inomhusenheten) $H \leq 40$ m (För det fall utomhusenheten är placerad lägre än inomhusenheten)
	I avgreningsdosa/inomhusenhetessektion (h1)	$h1 + h2 \leq 15$ m
	I respektive avgreningsdosa (h2)	$h2 \leq 15$ m
	I respektive inomhusenhet (h3)	$h3 \leq 12$ m
Antal böjar		$ c1 + b1 + a1 ,  c1 + b1 + a2 ,  c1 + b1 + a3 ,  c1 + b1 + a4 ,  c1 + b1 + a5 ,  c1 + b2 + a6 ,  c1 + b2 + a7 ,  c1 + b2 + a8  \leq 15$

\*1 Avgreningsdosa skall placeras på en nivå som ligger mellan den för utomhus- och inomhusenheterna.

## 4.2. Rörlängd och höjdskillnad

### 4.2.1. Anslutning utan Avgreningsdosa (Fig. 4-1)

A	(mm)	
	A Rör för vätska	B Gasrör
PUMY-P112-140	$\varnothing 9,52$	$\varnothing 15,88$

B, C, D	(mm)	
	A Rör för vätska	B Gasrör
Inomhusenheternas totala kapacitet	$\varnothing 9,52$	$\varnothing 15,88$

a, b, c, d, e, f	(mm)	
	A Rör för vätska	B Gasrör
Modellnummer	$\varnothing 6,35$	$\varnothing 12,7$
63, 80, 100, 125, 140	$\varnothing 9,52$	$\varnothing 15,88$

E Förgreningssatsens modell
CMY-Y62-G-E

E 4-Samlingsrör för förgrening	G 8-Samlingsrör för förgrening
CMY-Y64-G-E	CMY-Y68-G-E

\* När ANSLUTNINGSSATSEN (PAC-LV11M-J) ansluts till en inomhusenhet i M-serien gäller installationsanvisningarna för ANSLUTNINGSSATSEN vid val av rörstorlek och rörlängd.

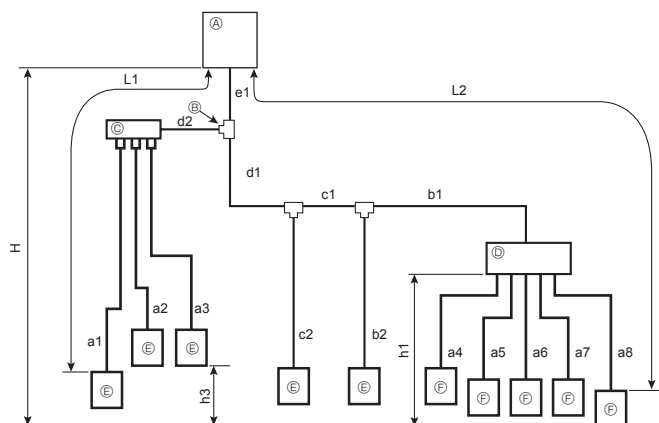
### 4.2.2. Anslutning med Avgreningsdosa (Fig. 4-2)

- Denna enhet är försedd med flänsanslutningar på sidan av varje inomhusenhet och avgreningsdosa och utomhusenhet.
- Avlägsna ventilskyddet på utomhusenheten, och anslut därefter röret.
- Köldmedelsledningar används för att ansluta till avgreningsdosan och utomhusenheten.

## 4. Installera kylmedelsrör

### 4.2.3. Blandat system (City Multi-inomhusenheter och inomhusenheter i M, S, P-serien via avgreningsdosa) (Fig. 4-3)

#### 1. Om 1-avgreningsdosor används



- Ⓐ Utomhusenhet
- Ⓑ Första förgreningspunkten
- Ⓒ Samlingsrör för förgrening (CMY)
- Ⓓ Avgreningsdosa (PAC-MK-BC(B))
- Ⓔ CityMulti-inomhusenhet\*
- Ⓕ Inomhusenhet, cylinderenhet eller hydroboxenhet i M, S, P-serien
- \* Inomhusenheter av typerna PKFY-P-VBM, PFFY-P-VKM och PFFY-P-VL\* kan inte användas i ett blandat system.

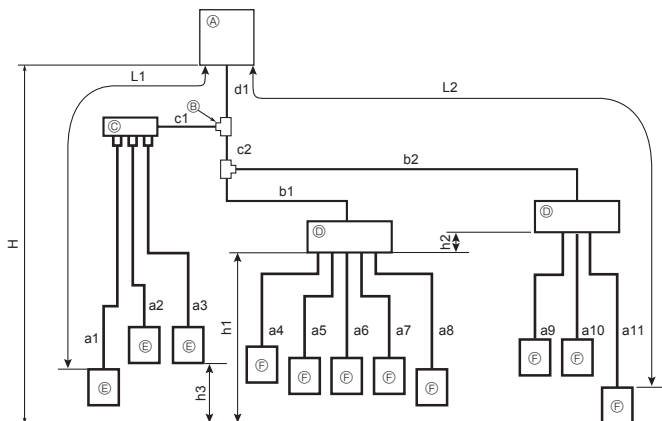
Fig. 4-3 (a)

Tillåten längd (ena hållet)	Rörledningens total längd	$e1 + d1 + d2 + c1 + c2 + b1 + b2 + a1 + a2 + a3 + a4 + a5 + a6 + a7 + a8 \leq 300 \text{ m} *3$
	Längsta rörledningenslängd (L1)	$e1 + d2 + a1$ eller $e1 + d1 + c1 + b2 \leq 85 \text{ m}$
	Längsta rörledningenslängd. Via avgreningsdosa (L2)	$e1 + d1 + c1 + b1 + a8 \leq 80 \text{ m}$
	Rörledningenslängd mellan utomhusenhet och avgreningsdosa	$e1 + d1 + c1 + b1 \leq 55 \text{ m}$
	Längsta rörledningenslängd från första förgreningspunkten	$d1 + c1 + b1, d1 + c1 + b2, d1 + c2$ eller $d2 + c1 \leq 30 \text{ m}$
	Längsta rörledningenslängd efter avgreningsdosa	$a8 \leq 25 \text{ m}$
Tillåten höjdskillnad (ena hållet)	Total rörledningenslängd mellan avgreningsdosor och inomhusenheter	$a4 + a5 + a6 + a7 + a8 \leq 95 \text{ m}$
	I inomhus-/utomhussektion (H) *2	$H \leq 50 \text{ m}$ (För det fall utomhusenheten är placerad högre än inomhusenheten)
		$H \leq 40 \text{ m}$ (För det fall utomhusenheten är placerad lägre än inomhusenheten)
	I avgreningsdosa/inomhusenhetssektion (h1)	$h1 \leq 15 \text{ m}$
Antal böjar	I respektive inomhusenhet (h3)	$h3 \leq 12 \text{ m}$
		$ e1 + d2 + a1 ,  e1 + d2 + a2 ,  e1 + d2 + a3 ,  e1 + d1 + c2 ,  e1 + d1 + c1 + b2 ,  e1 + d1 + c1 + b1 + a4 ,  e1 + d1 + c1 + b1 + a5 ,  e1 + d1 + c1 + b1 + a6 ,  e1 + d1 + c1 + b1 + a7 ,  e1 + d1 + c1 + b1 + a8  \leq 15$

\*2: Avgreningsdosan ska placeras på en nivå som ligger mellan den för utomhus- och inomhusenheterna.

\*3: Om en cylinderenhet eller hydroboxenhet är ansluten är den maximala rörledningenslängden 150 m.

#### 2. Om 2-avgreningsdosor används



- Ⓐ Utomhusenhet
- Ⓑ Första förgreningspunkten
- Ⓒ Samlingsrör för förgrening (CMY)
- Ⓓ Avgreningsdosa (PAC-MK-BC(B))
- Ⓔ CityMulti-inomhusenhet\*
- Ⓕ Inomhusenhet, cylinderenhet eller hydroboxenhet i M, S, P-serien
- \* Inomhusenheter av typerna PKFY-P-VBM, PFFY-P-VKM och PFFY-P-VL\* kan inte användas i ett blandat system.

Fig. 4-3 (b)

Tillåten längd (ena hållet)	Rörledningens total längd	$d1 + c1 + c2 + b1 + b2 + a1 + a2 + a3 + a4 + a5 + a6 + a7 + a8 + a9 + a10 + a11 \leq 240 \text{ m} *3$
	Längsta rörledningenslängd (L1)	$d1 + c1 + a1 \leq 85 \text{ m}$
	Längsta rörledningenslängd. Via avgreningsdosa (L2)	$d1 + c2 + b2 + a11 \leq 80 \text{ m}$
	Rörledningenslängd mellan utomhusenhet och avgreningsdosor	$d1 + c2 + b1 + b2 \leq 55 \text{ m}$
	Längsta rörledningenslängd från första förgreningspunkten	$c2 + b2$ eller $c1 + a1 \leq 30 \text{ m}$
	Längsta rörledningenslängd efter avgreningsdosa	$a11 \leq 25 \text{ m}$
	Avgreningsdosa längst bort från utomhusenheten	$d1 + c2 + b2 \leq 55 \text{ m}$
Tillåten höjdskillnad (ena hållet)	Total rörledningenslängd mellan avgreningsdosor och inomhusenheter	$a4 + a5 + a6 + a7 + a8 + a9 + a10 + a11 \leq 95 \text{ m}$
	I inomhus-/utomhussektion (H) *2	$H \leq 50 \text{ m}$ (För det fall utomhusenheten är placerad högre än inomhusenheten)
		$H \leq 40 \text{ m}$ (För det fall utomhusenheten är placerad lägre än inomhusenheten)
	I avgreningsdosa/inomhusenhetssektion (h1+h2)	$h1 + h2 \leq 15 \text{ m}$
	I respektive avgreningsdosa (h1)	$h2 \leq 15 \text{ m}$
Antal böjar	I respektive inomhusenhet (h3)	$h3 \leq 12 \text{ m}$
		$ d1 + c1 + a1 ,  d1 + c1 + a2 ,  d1 + c1 + a3 ,  d1 + c2 + b1 + a4 ,  d1 + c2 + b1 + a5 ,  d1 + c2 + b1 + a6 ,  d1 + c2 + b1 + a7 ,  d1 + c2 + b1 + a8 ,  d1 + c2 + b2 + a9 ,  d1 + c2 + b2 + a10 ,  d1 + c2 + b2 + a11  \leq 15$

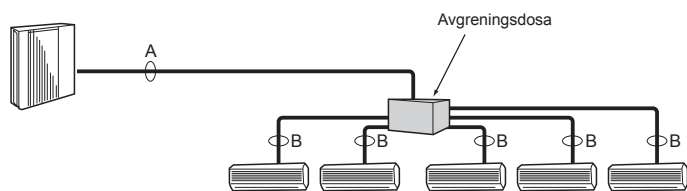
\*2: Avgreningsdosan ska placeras på en nivå som ligger mellan den för utomhus- och inomhusenheterna.

\*3: Om en cylinderenhet eller hydroboxenhet är ansluten är den maximala rörledningenslängden 150 m.

## 4. Installera kylmedelsrör

### ■ Vid användande av 1-avgreningsdosa

Flänsanslutning används. (Ingen hårdlödning)



### ■ Vid användande av 2-avgreningsdosor

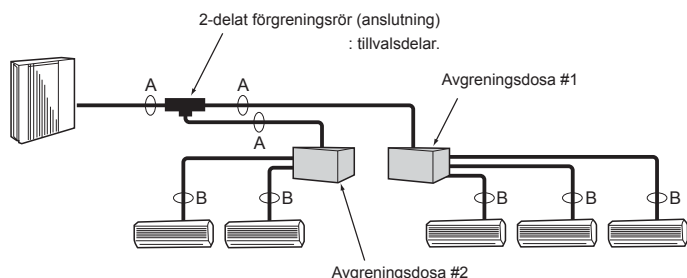


Fig. 4-4

(1) Ventilstorlek för utomhusenhet

För vätska	ø9,52 mm
För gas	ø15,88 mm

(2) Ventilstorlek för avgreningsdosa

ENHET	Vätskerör	Gasrör	Ø
A ENHET	Vätskerör	Gasrör	ø6,35 mm / ø9,52 mm
	Vätskerör	Gasrör	ø6,35 mm / ø9,52 mm
B ENHET	Vätskerör	Gasrör	ø6,35 mm / ø9,52 mm
	Vätskerör	Gasrör	ø6,35 mm / ø9,52 mm
C ENHET	Vätskerör	Gasrör	ø6,35 mm / ø9,52 mm
	Vätskerör	Gasrör	ø6,35 mm / ø9,52 mm
D ENHET	Vätskerör	Gasrör	ø6,35 mm / ø9,52 mm
	Vätskerör	Gasrör	ø6,35 mm / ø9,52 mm
E ENHET	Vätskerör	Gasrör	ø6,35 mm / ø12,7 mm
	Vätskerör	Gasrör	ø6,35 mm / ø12,7 mm

\* Typ med 3 förgreningar: endast enhet A, B, C

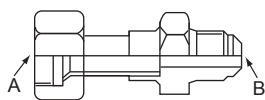


Fig. 4-5

Omräkningsformel

1/4 F	ø6,35
3/8 F	ø9,52
1/2 F	ø12,7
5/8 F	ø15,88
3/4 F	ø19,05

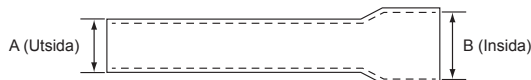


Fig. 4-6

## 4.3. Val av rörlängd

### 4.3.1. Anslutning utan Avgreningsdosa

		Inomhusenhet		Utomhusenhet
		15-50	63-140	112-140
Gassida	Rörstorlek (mm)	ø12,7	ø15,88	ø15,88
Vätskesida	Rörstorlek (mm)	ø6,35	ø9,52	ø9,52

### 4.3.2. Anslutning med Avgreningsdosa (Fig. 4-4)

	A	B
Vätska (mm)	ø9,52	Röranslutningsstorleken varierar beroende på inomhusenhetens typ och prestanda. Matcha röranslutningsstorleken för avgreningsdosan med inomhusenhetens. Om röranslutningsstorleken för avgreningsdosan inte överensstämmer med röranslutningsstorleken för inomhusenheten, använd tillvalet anslutningar med olika diameter (deformerade) på avgreningsdosa-sidan. (Anslut deformerad anslutning direkt på avgreningsdosa-sidan).
Gas (mm)	ø15,88	

### Anslutning med olika diameter (tillval) (Fig. 4-5)

Modellbeteckning	Anslutna rörs diameter mm	Diameter A mm	Diameter B mm
MAC-A454JP	ø9,52 → ø12,7	ø9,52	ø12,7
MAC-A455JP	ø12,7 → ø9,52	ø12,7	ø9,52
MAC-A456JP	ø12,7 → ø15,88	ø12,7	ø15,88
PAC-493PI	ø6,35 → ø9,52	ø6,35	ø9,52
PAC-SG76RJ-E	ø9,52 → ø15,88	ø9,52	ø15,88

### Anslutning med olika diameter (tillval) (Fig. 4-6)

Modellbeteckning	Anslutna rörs diameter mm	Ytterdiameter A mm	Innerdiameter B mm
	PAC-SG78RJ-E	ø9,52 → ø12,7	ø9,52
PAC-SG79RJ-E	ø12,7 → ø9,52	ø12,7	ø9,52
PAC-SG80RJ-E	ø12,7 → ø15,88	ø12,7	ø15,88
PAC-SG77RJ-E	ø6,35 → ø9,52	ø6,35	ø9,52
PAC-SG76RJ-E	ø9,52 → ø15,88	ø9,52	ø15,88

### Förberedelse för rördragning

① Tabellen nedan visar specifikationer för vanliga rör tillgängliga i handeln.

Ytterdiameter mm	Isolerings tjocklek mm	Isoleringsmaterial Värmebeständig skumplast, densitetstal 0,045
6,35	8	
9,52	8	
12,7	8	
15,88	8	

② Tillse att de 2 köldmedelsrören isoleras för att förhindra kondensation.

③ Bockningsradien på köldmedelsrören måste vara minst 100 mm.

### ⚠ Försiktighet:

Tillse att isolering av angiven tjocklek används. För väl tilltagen tjocklek kan orsaka felaktig installation av inomhusenheten och avgreningsdosan, och tunt tilltagen tjocklek kan orsaka fuktdropp.

2 förgreningsrör (anslutning): Tillvalsdelar (Beroende på anslutningsmetod, välj den du anser vara bäst).

Modellbeteckning	Anslutningsmetod
MSDD-50AR-E	fläns
MSDD-50BR-E	hårdlödning

### ■ Installationsanvisning (2-delat förgreningsrör (anslutning))

Se MSDD-50AR-E och MSDD-50BR-E installationshandböcker.

### ■ Rörstorlek (utomhusenhet - avgreningsdosa)

	A Vätskerör	B Gasrör
PUMY-P112-140	ø9,52	ø15,88

### ■ Rörstorlek (avgreningsdosa - inomhusenhet) För inomhusenhet i M-serien eller S-serien\*1

Inomhusenhetsserie	Modellnummer	A Vätskerör	B Gasrör
M-serien eller S-serien	15-42	ø6,35	ø9,52
	50	ø6,35	ø12,7
	60	ø6,35	ø15,88
	71-80	ø9,52	ø15,88
P-serien	35, 50 *2	ø6,35	ø12,7
	60-100	ø9,52	ø15,88
Cylinderenhet	-	ø9,52	ø15,88
Hydroboxenhet	-	ø9,52	ø15,88

\*1 Uppsättning av en anslutningsbar inomhusenhet beror på distrikt/område/land.  
\*2 På inomhusenheter i P-serien av typerna 35 och 50 ska flänsmuttern som är monterad på inomhusenheterna användas.  
Använd inte flänsmuttern i inomhusenhetens tillbehör. Om den används kan gasläckor uppstå eller rören dela på sig.



## 4. Installera kylmedelsrör

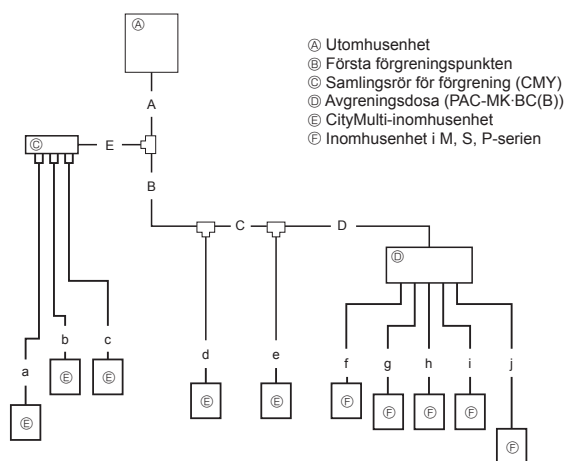


Fig. 4-7

### 4.3.3. Blandat system (City Multi-inomhusenheter och inomhusenheter i M, S, P-serien via avgreningsdosa) (Fig. 4-7)

#### Rörstorlek

A, B, C, D, E

	A Vätskerör	B Gasrör
PUMY-P112-140	ø 9,52	ø 15,88

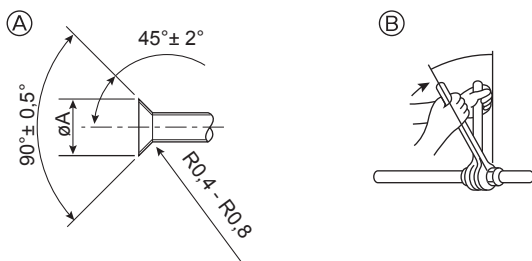
a, b, c~j

Inomhusenhetsserie	Modellnummer	A Vätskerör	B Gasrör
CityMulti	15~50	ø 6,35	ø 12,7
	63~140	ø 9,52	ø 15,88
M-serien eller S-serien	15~42	ø 6,35	ø 9,52
	50	ø 6,35	ø 12,7
	60	ø 6,35	ø 15,88
	71~80	ø 9,52	ø 15,88
P-serien	35, 50 *1	ø 6,35	ø 12,7
	60~100	ø 9,52	ø 15,88
Cylinderenhet Hydroboxenhet	–	ø 9,52	ø 15,88

2-delad förgrening	CMY-Y62-G-E
4-delat samlingsrör	CMY-Y64-G-E
8-delat samlingsrör	CMY-Y68-G-E

\*1 På inomhusenheter i P-serien av typerna 35 och 50 ska flänsmuttern som är monterad på inomhusenheterna användas. Använd inte flänsmuttern i inomhusenhetens tillbehör. Om den används kan gasläckor uppstå eller rören dela på sig.

## 4. Installera kylmedelsrör



- Ⓐ Mått för flänsning  
Ⓑ Åtdragningsmoment för flänsmutter

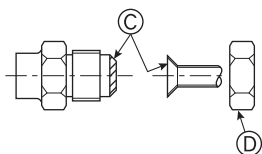


Fig. 4-8

Ⓐ (Fig. 4-8)

Kopparrör Y.D. (mm)	Flänsmått $\varnothing A$ mått (mm)
$\varnothing 6,35$	8,7 - 9,1
$\varnothing 9,52$	12,8 - 13,2
$\varnothing 12,7$	16,2 - 16,6
$\varnothing 15,88$	19,3 - 19,7

Ⓑ (Fig. 4-8)

Kopparrör Y.D. (mm)	Flänsmutter O.D. (mm)	Åtdragningsmoment (N·m)
$\varnothing 6,35$	17	14 - 18
$\varnothing 6,35$	22	34 - 42
$\varnothing 9,52$	22	34 - 42
$\varnothing 12,7$	26	49 - 61
$\varnothing 12,7$	29	68 - 82
$\varnothing 15,88$	29	68 - 82
$\varnothing 15,88$	36	100 - 120

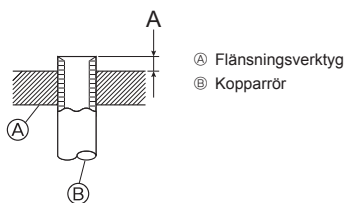


Fig. 4-9

- Ⓐ Flänsningsverktyg  
Ⓑ Kopparrör

### 4.4. Anslutningsrör (Fig. 4-8)

- Utför lämpligt anti-kondens- och isoleringsarbete för att förhindra att vatten droppar från kylmedelsrören. (rör för vätska/gasrör)
- Öka isoleringen beroende på i vilken omgivning kylmedelsrören installeras för att förhindra att kondens bildas på ytan av isoleringsmaterialet. (Isoleringsmaterial Värmebeständig temperatur: 120 °C, Tjocklek: 15 mm eller mer)
  - \* När kylmedelsrören används i omgivningar med höga temperaturer och hög fuktighet, som t.ex. på vinden, kan extra isolering vara nödvändig.
- Vid isolering av kylmedelsrören appliceras värmebeständigt polyetylenskum mellan inomhusenheten och isoleringsmaterialet, såväl som i nätet mellan isoleringsmaterialet så att det inte finns några hål kvar. (Kondens som bildas på rören kan leda till kondens i rummet eller brännskador vid kontakt med rören.)
- Inomhusdelarna på dräneringsröret bör lindas med isoleringsmaterial av polyetylenskum (specifik vikt 0,03, tjocklek 9 mm eller mer).
- Stryk på ett tunt lager av frysmaskinolja på röret och fogens tätningssyta innan den flänsade muttern dras åt. Ⓐ
- Använd två skruvnycklar för att dra åt röranslutningarna. Ⓑ
- När röranslutningarna avslutats, använd en läckdetektor eller en tvålvattenslösning för att kontrollera efter gasläckor.
- Sätt på köldmedelsolja på flänsens hela yta. Ⓒ
- Använd flänsmuttrar för följande rörstorlek. Ⓓ
- När du böjer rören, se till att de inte går av. En böjningsradie på 100 mm till 150 mm räcker.
- Kontrollera att rören inte kommer i kontakt med kompressorn. Det kan orsaka onormalt ljud eller vibrationer.

- Rören ska anslutas med början från inomhusenheten. Flänsmuttrar ska alltid dras åt med momentnycklar.
- Flänsa rören för vätska och gasrören och sätt på ett tunt lager köldmedelsolja (på plats).
- När vanlig rörtätning används, se tabell 3 för flänsning av köldmedelsrör för R410A. Instrumentet för storleksinställning kan användas för kontroll av måtten A.

#### ⚠ Varning:

Vid installation av enheten ska kylvätskerören anslutas ordentligt innan kompressorn startas.

\* Se installationsanvisningarna för ANSLUTNINGSSATSEN vid anslutning av ANSLUTNINGSSATSEN (PAC-LV11M-J).

Tabell 3 (Fig. 4-9)

Kopparrör Y.D. (mm)	A (mm)	
	Flänsningsverktyg för R410A	Flänsningsverktyg för R22-R407C
	Kopplingstyp	
$\varnothing 6,35$	0 - 0,5	1,0 - 1,5
$\varnothing 9,52$	0 - 0,5	1,0 - 1,5
$\varnothing 12,7$	0 - 0,5	1,0 - 1,5
$\varnothing 15,88$	0 - 0,5	1,0 - 1,5
$\varnothing 19,05$	0 - 0,5	1,0 - 1,5

### 4.5. Kylmedelsrör (Fig. 4-10)

Ta bort servicepanelen Ⓒ (tre skruvar), det främre rörledningsskyddet Ⓐ (två skruvar) och det bakre rörledningsskyddet Ⓑ (två skruvar).

- Utför anslutning av kylmedelsrör för inomhus- och utomhusenheterna medan utomhusenhetens stoppventil är helt stängd.
- Avlufta inomhusenheten och anslutningen av rörledningarna.
- När köldmedelsrören anslutits, kontrollera om de anslutna rören och inomhusenheten läcker gas. (Se sidan 4.6. Provmotod för att kontrollera om köldmedelsrören är lufttäta.)
- Vakuumsätt köldmedelsledningarna via serviceöppningarna på stoppventilerna för vätska och gas. Öppna sedan stoppventilerna helt (både den för vätska och den för gas). Detta kopplar ihop köldmedelsledningarna på inomhus- och utomhusenheterna helt.
  - Om stoppventilerna lämnas öppna och enheten körs, skadas kompressorn och reglerventilerna.
  - Använd en läckagedetektor eller såpvatten för att leta efter gasläckor vid röranslutningarna på utomhusenheten.
  - Använd inte köldmedlet från enheten för att avlufta köldmedelsledningarna.
  - När du är klar med ventilerna, dra åt ventilhylsorna till rätt moment: 20 till 25 N·m (200 till 250 kgf·cm). Om hylsorna inte sätts tillbaka och dras åt kan detta orsaka köldmedelsläckage. Se dessutom till att inte skada ventilhylsornas insidor eftersom de fungerar som tätning för att förhindra köldmedelsläckage.
- Använd tätningssmedel för att tätta ändarna på värmeisoleringen runt röranslutningarna för att förhindra att vatten kommer in i värmeisoleringen.

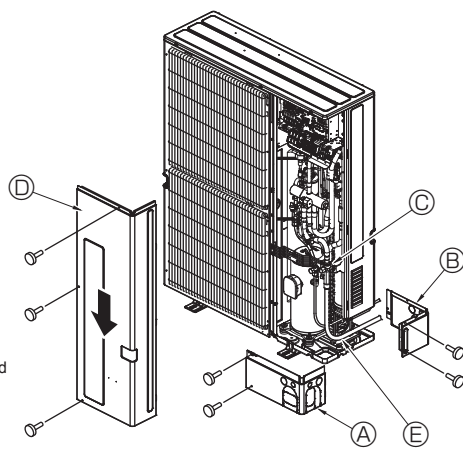


Fig. 4-10

- Ⓐ Främre rörledningsskydd  
Ⓑ Rörledningsskydd  
Ⓒ Stoppventil  
Ⓓ Servicepanel  
Ⓔ Bandradie : 100 mm - 150 mm

## 4. Installera kylmedelsrör

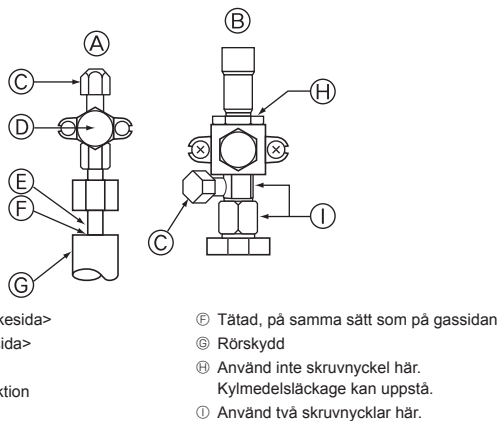


Fig. 4-11

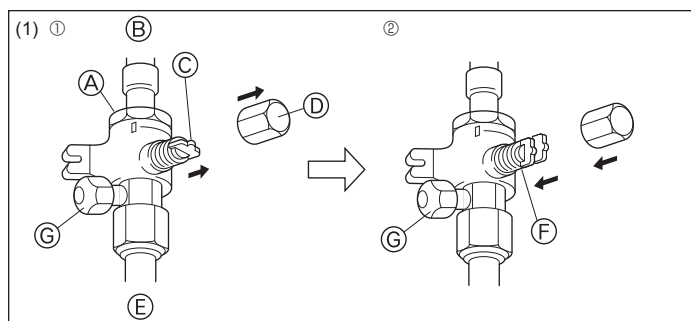


Fig. 4-12

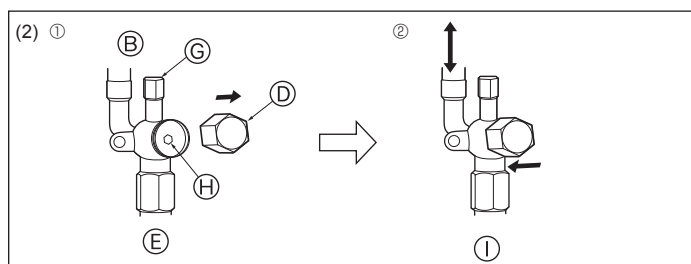


Fig. 4-13

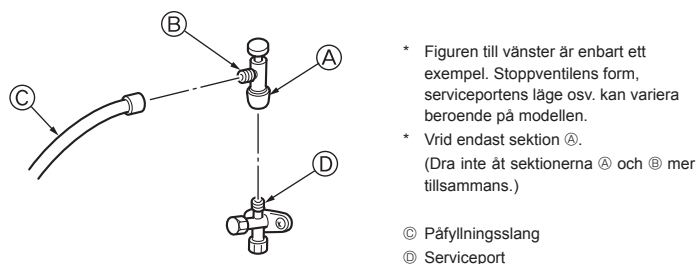


Fig. 4-14

## 4.6. Provmetod för att kontrollera om köldmedelsrören är lufttäta

- Anslut testverktygen.
  - Kontrollera att stoppventilerna A och B är stängda, öppna dem inte.
  - Trycksätt köldmedelsledningarna via serviceöppningen C på stoppventilen för vätska A och stoppventilen för gas B.
- Trycksätt inte till det angivna trycket direkt, utan lägg på trycket lite i taget.
  - Trycksätt till 0,5 MPa (5 kgf/cm<sup>2</sup>G), vänta i fem minuter, och kontrollera att trycket inte minskar.
  - Trycksätt till 1,5 MPa (15 kgf/cm<sup>2</sup>G), vänta i fem minuter, och kontrollera att trycket inte minskar.
  - Trycksätt till 4,15 MPa (41,5 kgf/cm<sup>2</sup>G) och mät den omgivande temperaturen och köldmedelstrycket.
- Om det angivna trycket håller i ungefär en dag utan att minska, har rören klara testet och det finns inga läckor.
  - Om den omgivande temperaturen ändras med 1 °C, ändras trycket med ungefär 0,01 MPa (0,1 kgf/cm<sup>2</sup>G). Gör nödvändiga ändringar.
- Om trycket minskar i steg (2) eller (3), finns det en gasläcka. Leta efter orsaken till denna gasläcka.

## 4.7. Öppningsmetod för stoppventil

- Gassidan (Fig. 4-12)
  - Ta bort locket, dra handtaget mot dig och vrid motors 1/4 varv för att öppna.
  - Kontrollera att stoppventilen är helt öppen, tryck in handtaget och skruva på locket igen.
- Vätskesida (Fig. 4-13)
  - Ta bort kåpan och vrid ventilstängens motsols så långt det går med en 4 mm sexkantsnyckel. Sluta när den når stoppet. (ø6,35: Ca. 4,5 varv) (ø9,52: Ca. 10 varv)
  - Kontrollera att stoppventilen är helt öppen, tryck in handtaget och skruva på locket igen.

### Köldmedelsrören skyddslindas

- Rören kan lindas in som skydd upp till en diameter på ø90 innan eller efter det att rören ansluts. Skär ut anvisningen i rörskyddet efter spåret och linda in rören.
- Rörets inloppsöppning
- Använd kitt eller tätningssmassa för att tätta rörinloppet runt rören så att det inte finns kvar några hål. (Om hålen inte sluts, kan ljud komma ut ur enheten eller så kan vatten och damm komma in i enheten, vilket kan orsaka haveri.)

### Försiktighetsåtgärder när påfyllningsventilen används (Fig. 4-14)

Dra inte åt serviceporten för mycket när den installeras, det kan göra att ventilkärnan deformeras och lossnar vilket kan leda till gasläckor.

När sektion B positionerats på önskad plats ska du vrida på sektion A enbart och dra åt den.

Dra inte åt sektionerna A och B mer tillsammans efter det att du dragit åt sektion A.

## 4. Installera kylmedelsrör

### 4.8. Extra köldmedelsladdning

#### Extra köldmedelsladdning

Köldmedel för extra rördragning medföljer inte utomhusenheten när den skickas från fabriken. Därför behöver varje rörsystem för köldmedel laddas med extra köldmedel vid installation. Lägg även till storlek och längd för varje vätskerör och mängden extra köldmedelsladdning på den tomma platsen på utomhusenhetens platta för Köldmedelsmängd. Detta för att möjliggöra service av enheten.

#### Beräkna extra köldmedelsladdning

- Beräkna extra laddning genom att använda storleken på røret för vätska och längden på den extra rördragningen.
- I beräkningen ska 11,2 kW användas som kapacitet för cylinder- eller hydrobox-enheten.
- Beräkna den extra köldmedelsladdningen genom att använda tillvägagångssättet till höger och ladda med extra köldmedel.
- För mindre mängd än 0,1 kg avrundas den beräknade extra köldmedelsladdningen uppåt.  
(T.ex. om den beräknade laddningen är 6,01 kg avrundas den uppåt till 6,1 kg.)

<Extra laddning>

#### Beräkning av köldmedelsladdning

Rörstorlek Vätskerör ø6,35	+	Rörstorlek Vätskerör ø9,52	+	Total kapacitet för anslutna inomhusenheter ~ 8,0 kW	Mängd för inomhusenheter 1,5 kg
(m) × 19,0 (g/m)		(m) × 50,0 (g/m)		8,1 ~ 16,0 kW	2,5 kg
				16,1 kW ~	3,0 kg

#### Mängd köldmedel som medföljer när enheten skickas från fabriken

Mängd köldmedel som medföljer
4,8 kg

<Exempel>

Utomhusmodell : P125	A : ø9,52 30 m
Inomhus 1 : P63 (7,1 kW)	a : ø9,52 15 m
2 : P40 (4,5 kW)	b : ø6,35 10 m
3 : P25 (2,8 kW)	c : ø6,35 10 m
4 : P20 (2,2 kW)	d : ø6,35 20 m

} Vid förhållandena nedan:

Den totala längden för varje vätskeledning är följande:

$$\text{ø9,52 : } A + a = 30 + 15 = 45 \text{ m}$$

$$\text{ø6,35 : } b + c + d = 10 + 10 + 20 = 40 \text{ m}$$

Total kapacitet för anslutna inomhusenheter är enligt följande:

$$7,1 + 4,5 + 2,8 + 2,2 = 16,6$$

<Beräkningsexempel>

Extra köldmedelsladdning

$$40 \times \frac{19,0}{1000} + 45 \times \frac{50,0}{1000} + 3,0 = 6,1 \text{ kg (avrundat uppåt)}$$

## 5. Dräneringsrör

#### Anslutningar för dräneringsrör för utomhusenheten

Om dräneringsrör krävs ska dräneringsuttaget eller dräneringstråget (tillval) användas.

	P112-140
Dräneringsuttag	PAC-SG61DS-E
Dräneringstråg	PAC-SH97DP-E

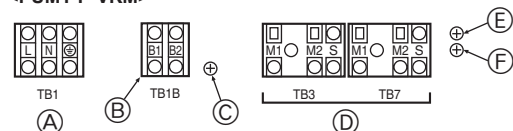
## 6. Elektriska arbeten

### 6.1. Försiktighet

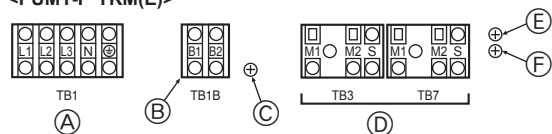
- ① Följ myndigheternas föreskrifter för tekniska normer som gäller elektriska utrustningar och ledningsdragning samt elbolagets rekommendationer.
- ② Styrledningarna (hädanefter kallad överföringsledningen) ska vara 5 cm eller mer från strömförsörjningens ledningar så att de inte påverkas av elektriska störningar från strömförsörjningsledningarna. (Placera inte överföringsledningen och strömförsörjningsledningarna i samma skydds rör.)
- ③ Kom ihåg att utföra jordningsarbetena på utomhusenheten.
- ④ Tillhandahåll ett visst spelrum för ledningarna till eldosan på inom- och utomhusenheterna eftersom dosan ibland tas bort vid underhållsarbeten.
- ⑤ Anslut aldrig strömförsörjningen till överföringsledningens kopplingsplint. De elektriska delarna blir utbrända om den ansluts.
- ⑥ Använd 2-trådig skärmat kabel för överföringsledningen. Om överföringsledningarna för olika system ansluts med samma flertrådiga kabel försämras överföringen och mottagningen vilket kan leda till felaktig funktion.
- ⑦ Endast den specificerade överföringsledningen ska anslutas till kopplingsplinten för utomhusenhetens överföring.  
(Överföringsledning som ska anslutas till inomhusenheten: Kopplingsplint TB3 för överföringsledningen, Andra: Kopplingsplint TB7 för centraliserad styrning)  
Felaktiga anslutningar gör att systemet inte kan fungera.
- ⑧ Vid anslutning till den överordnade styrenheten eller för gruppdrift i olika köldmedelssystem krävs en styrledning för överföring mellan de olika utomhusenheterna.  
Anslut styrledningen mellan kopplingsplintarna för centraliserad styrning. (2-trådig ledning utan polaritet)  
När gruppdrift mellan olika köldmedelssystem används utan att den överordnade styrenheten ansluts ska kortslutningskontakten på en utomhusenhet ändras från CN41 till CN40.
- ⑨ Gruppen ställs in med fjärrkontrollen.
- ⑩ När ANSLUTNINGSSATSEN (PAC-LV11M-J) ansluts till en inomhusenhet i M-serien gäller installationsanvisningarna för ANSLUTNINGSSATSEN.
- ⑪ Vid anslutning av avgreningsdosa, se till att slå på inomhusenheterna och avgreningsdosan innan man slår på utomhusenheten.

## 6. Elektriska arbeten

### <PUMY-P-VKM>



### <PUMY-P-YKM(E)>



- Ⓐ Strömförsörjning
- Ⓑ Strömförsörjning för avgränsningslåda
- Ⓒ Skruv på dosa för elektriska komponenter
- Ⓓ Överföringsledning
- Ⓔ Jord för kopplingsplinten (TB3)
- Ⓕ Skruv på dosa för elektriska komponenter

Fig. 6-1

## 6.2. Styr dosa och ledningarnas anslutningspositioner (Fig. 6-1)

- Anslut inomhusenhetens överföringsledning till överföringens kopplingsplint (TB3) eller anslut ledningarna mellan utomhusenheterna eller ledningarna för det centraliserade styrsystemet till kopplingsplinten för centralstyrning (TB7). Vid användning av skärmade kablar, anslut inomhusenhetens överföringslednings skärmade jordkontakt till skruven (Ⓔ) och anslut den skärmade jordkontakten för kabeln mellan utomhusenheter och det centrala styrsystemets överföringsledning till skärmterminalen (S) på det centrala styrterminalblocket (TB7). För utomhusenheter vars strömförsörjningskontakt CN41 har ersatts av CN40 ska det skärmade uttaget (S) på kopplingsplinten (TB7) för centralstyrningssystemet också anslutas till skruv (Ⓔ) med den medföljande ledningen.
- Anslutningsplinten (TB1B) förser avgränsningsdosa med ström (220 – 240 VAC. Max 6 A).
- Montera strömförsörjningsledningarna i kopplingsdosa med slitstarka buffertbussningar (PG-anslutning eller liknande).

### ⚠ Försiktighet:

Anslut aldrig inomhusenhetens överföringsledning eller det centraliserade styrsystemets överföringsledning till den här anslutningsplinten (TB1B). Om överföringsledningarna ansluts kan inomhusenhetens anslutningsplint eller kopplingsplinten för centralstyrning skadas.

## 6.3. Ledningsdragning av överföringskablar

### ① Typer av styrkablar

1. Ledningsdragning av överföringskablar
  - Typer av överföringskablar: skärmad kabel CVVS, CPEVS eller MVVS
  - Kabelldiameter: Mer än 1,25 mm<sup>2</sup>
  - Maximal ledningslängd: Inom 200 m

### 2. M-NET Fjärrkontrollskablar

Typ av fjärrkontrollskabel	Skärmad kabel CVVS, CPEVS eller MVVS
Kabelldiameter	0,5 till 1,25 mm <sup>2</sup>
Anmärkning	Om kabeln är längre än 10 m ska en kabel med samma specifikationer som för överföringsledningarna användas.

### 3. MA Fjärrkontrollskablar

Typ av fjärrkontrollskabel	Mantlad 2-trådig kabel (oskärmad) CVV
Kabelldiameter	0,3 till 1,25 mm <sup>2</sup> (0,75 till 1,25 mm <sup>2</sup> )*
Anmärkning	Inom 200 m

\* Ansluten med enkel fjärrkontroll.

### ② Exempel på ledningsdragning

- Styrenhetsnamn, symbol och tillåtet antal styrenheter.

Namn	Symbol	Tillåtet antal styrenheter	
Utomhusenhetens styrenhet	OC	–	
Inomhusenhetens styrenhet	M-IC	PUMY-P112	1 till 9 styrenheter för 1 OC*1
		PUMY-P125	1 till 10 styrenheter för 1 OC*1
		PUMY-P140	1 till 12 styrenheter för 1 OC*1
	A-IC	PUMY-P112	2 till 8 styrenheter för 1 OC*1
PUMY-P125	PUMY-P140		
Avgränsningsdosa	–	–	0 till 2 styrenheter för 1 OC
Fjärrkontroll	RC	M-NET RC*2	Maximalt 12 styrenheter för 1 OC (Kan inte anslutas om Avgränsningsdosa används.)
		MA-RC	Maximalt 2 per grupp

### Obs:

1. En del omständigheter, som en inomhusenhetens kapacitet eller varje enskild enhets strömförbrukning, kan begränsa hur många enheter som är anslutningsbara.
2. Använd inte Lossnay-styrenheten (PZ-61DR-E, PZ-43SMF-E, PZ-52SF-E, PZ-60DR-E).

## Exempel på gruppdriftsystem med flera utomhusenheter (skärmade ledningar och adressinställning krävs.)

<Exempel på ledningsdragning av överföringskabel: När avgränsningsdosa inte används>

### ■ Se Fig. 6-6 från Fig. 6-2.

<Ledningsdragning och adressinställning: utan avgränsningsdosesystem>

- Använd alltid skärmade ledningar för anslutningar mellan utomhusenheten (OC) och inomhusenheten (M-IC).
- Använd matarledningsdragning för att ansluta terminalerna M1 och M2 och jordterminalen på överföringsledningens kopplingsplint (TB3) på varje utomhusenhet (OC) till terminalerna M1, M2 och terminal S på inomhusenhetens överföringslednings kopplingsplint (M-IC).
- Anslut uttagen 1 (M1) och 2 (M2) på överföringskabelns kopplingsplint på inomhusenheten (M-IC) som har den senaste adressen inom samma grupp till kopplingsplinten på fjärrkontrollen (M-NET RC).
- Koppla samman terminalerna M1, M2 och terminal S på kopplingsplinten för centraliserad styrning (TB7) för utomhusenheten (OC).
- Bygeln CN41 på kontrollpanelen ändras inte.
- Anslut den skärmade jordledningen på inomhusenheternas överföringsledning till det skärmade uttaget (S) på (TB3) och anslut (S)-uttaget till skruv (Ⓔ eller Ⓕ) med den medföljande ledningen.  
Anslut skärmkontrollen för kabel mellan utomhusenheter och det centrala styrsystemets överföringsledning till skärmterminalen (S) på (TB7).
- Ställ in adressinställningsomkopplaren på följande sätt.

Enhet	Område	Inställningsmetod
M-IC (Överordnad)	01 till 50	Använd den senaste adressen inom samma grupp av inomhusenheter
M-IC (Underordnad)	01 till 50	Använd en adress, annan än den för IC (överordnad) bland enheterna inom samma grupp av inomhusenheter. Det måste vara i sekvens med IC (överordnad)
Utomhusenhet	51 till 100	Använd den senaste adressen för alla inomhusenheter plus 50 *Adressen blir automatiskt "100" om den ställs in som "01 - 50".
M-NET R/C (Överordnad)	101 till 150	Ställ in på en IC-adress (överordnad) inom samma grupp plus 100
M-NET R/C (Underordnad)	151 till 200	Ställ in på en IC-adress (överordnad) inom samma grupp plus 150
MA R/C	–	Onödig adressinställning (Nödvändig över-/underordnad inställning)

- h. Gruppinställd drift med flera inomhusenheter sker via fjärrkontrollen (M-NET RC) när elektriciteten slagits på.

### i. När en PWFY-enhet ansluts

- Utför inte gruppinställningarna för PWFY-enheten och inomhusenheterna.
- PWFY-enheten kan inte drivas samtidigt med Lossnay-enheten.
- Använd WMA-fjärrkontrollen för PWFY-enheten.

Mer information finns i installationsanvisningarna för PWFY-enheten.

### j. Vid anslutning av en cylinder- eller hydroboxenhet

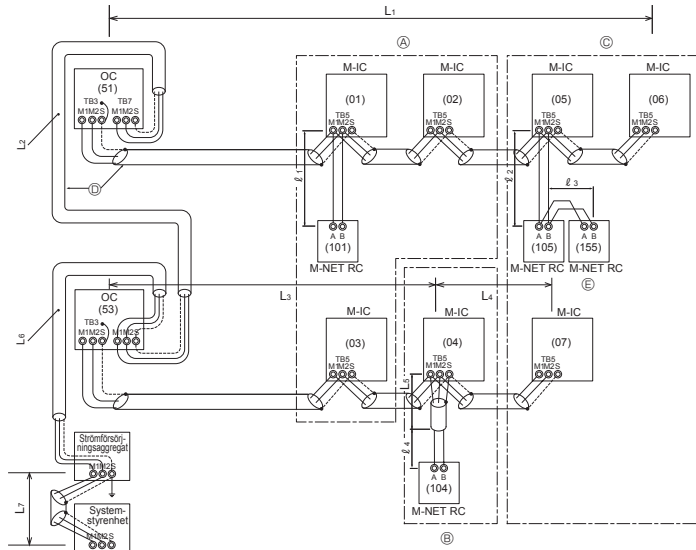
- Utför inte gruppinställningarna för cylinder eller hydroboxenheten och övriga inomhusenheter.

<Ledningsdragning och adressinställning: inklusive avgränsningsdosesystem>  
Se installationsanvisningen till avgränsningsdosa.

## 6. Elektriska arbeten

<Exempel på ledningsdragning av överföringskabel: När avgreningsdosa inte används>

### ■ M-NET fjärrkontroll



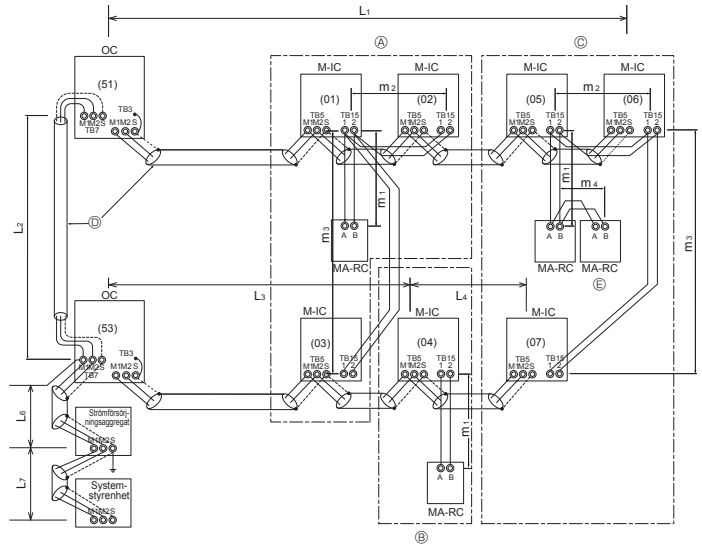
- Ⓐ : Grupp 1
- Ⓑ : Grupp 2
- Ⓒ : Grupp 3
- Ⓓ : Skärmad ledning
- Ⓔ : Underordnad fjärrkontroll
- ( ) : Adress

#### <Tillåtna längder>

- Max längd via utomhusenheter:  $L_1 + L_2 + L_3 + L_4$  och  $L_1 + L_2 + L_3 + L_5$  och  $L_1 + L_2 + L_5 + L_7 \leq 500$  m (1,25 mm<sup>2</sup> eller mer)
  - Max längd för överföringskabel:  $L_1$  och  $L_3 + L_4$  och  $L_3 + L_5$  och  $L_2 + L_5$  och  $L_7 \leq 200$  m (1,25 mm<sup>2</sup> eller mer)
  - Fjärrkontrollkabelns längd:  $l_1, l_2, l_2 + l_3, l_4 \leq 10$  m (0,5 till 1,25 mm<sup>2</sup>)
- Om längden överstiger 10 m ska en 1,25 mm<sup>2</sup> skärmad ledning användas. Längden på den här sektionen ( $L_8$ ) ska inkluderas när den maximala och totala längden beräknas.

Fig. 6-2

### ■ MA fjärrkontroll

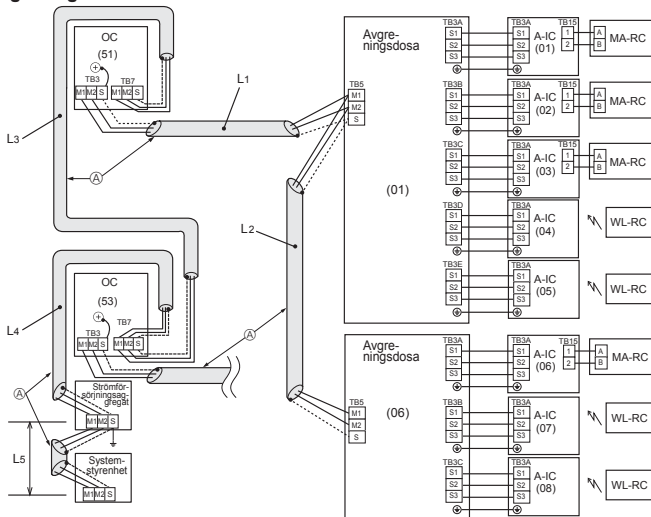


#### <Tillåtna längder>

- Max längd via utomhusenheter (M-NET-kabel):  $L_1 + L_2 + L_3 + L_4$  och  $L_1 + L_2 + L_6 + L_7 \leq 500$  m (1,25 mm<sup>2</sup> eller mer)
- Max längd för överföringskabel (M-NET-kabel):  $L_1$  och  $L_3 + L_4$  och  $L_2 + L_6$  och  $L_7 \leq 200$  m (1,25 mm<sup>2</sup> eller mer)
- Fjärrkontrollkabelns längd:  $m_1$  och  $m_1 + m_2 + m_3$  och  $m_1 + m_2 + m_3 + m_4 \leq 200$  m (0,3 till 1,25 mm<sup>2</sup>)

Fig. 6-3

<Exempel på ledningsdragning av överföringskabel: Anslutning med avgreningsdosa>



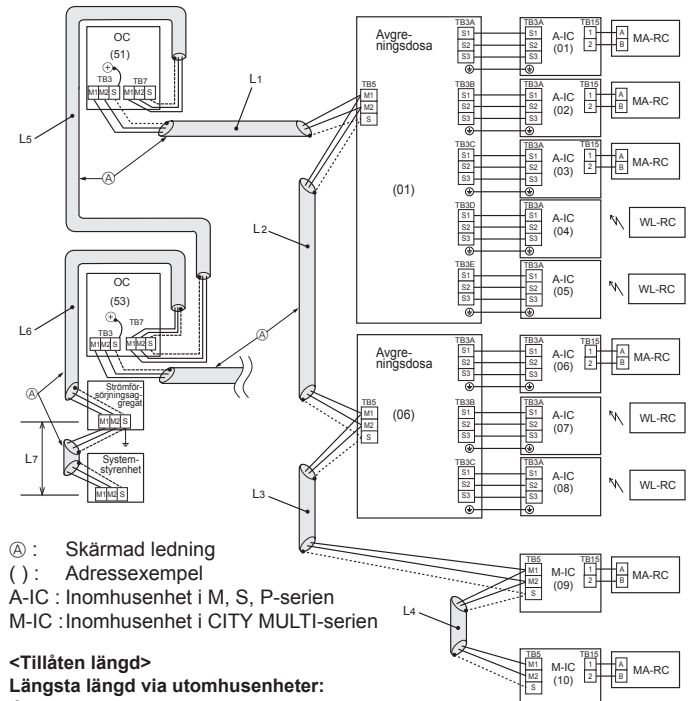
- Ⓐ : Skärmad ledning
- ( ) : Adress exempel
- A-IC : Inomhusenhet i M, S, P-serien

#### <Tillåtna längder>

- Max längd via utomhusenheter (M-NET-kabel):  $L_1 + L_2 + L_3 + L_4 + L_5 \leq 500$  m (1,25 mm<sup>2</sup> eller mer)
- Max längd för överföringskabel (M-NET-kabel):  $L_1 + L_2, L_3 + L_4, L_5 \leq 200$  m (1,25 mm<sup>2</sup> eller mer)

Fig. 6-4

<Exempel på ledningsdragning av överföringskabel: Blandningssystem>



- Ⓐ : Skärmad ledning
- ( ) : Adress exempel
- A-IC : Inomhusenhet i M, S, P-serien
- M-IC : Inomhusenhet i CITY MULTI-serien

#### <Tillåten längd>

- Längsta längd via utomhusenheter:  $L_1 + L_2 + L_3 + L_4 + L_5 + L_6 + L_7 \leq 500$  m (1640 ft.) (1,25 mm<sup>2</sup> eller mer)
- Längsta längd för överföringskabel:  $L_1 + L_2 + L_3 + L_4, L_5 + L_6, L_7 \leq 200$  m (656 ft.) (1,25 mm<sup>2</sup> eller mer)

Fig. 6-5

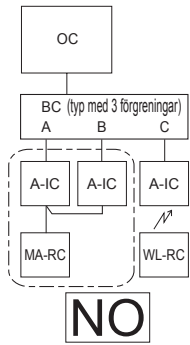
Obs:

Cylinder- eller hydroboxenheten kan inte grupperas med någon annan enhet än en cylinder- eller hydroboxenhet. Om cylinder- eller hydroboxenheten är ansluten kan inte heller flera utomhusenheter drivas tillsammans.

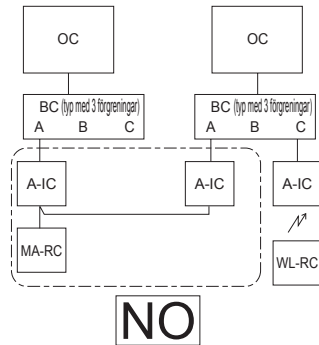
## 6. Elektriska arbeten

<Felaktiga system>

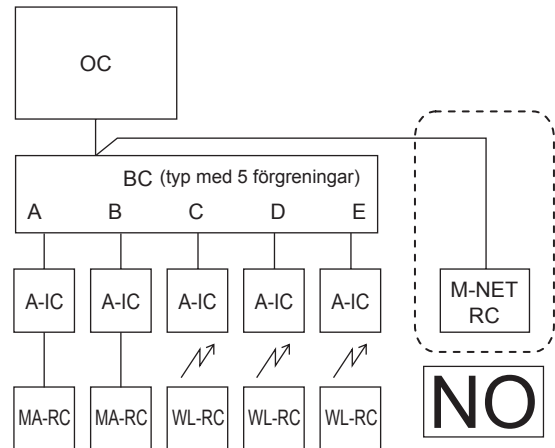
### 1. Gruppdrift med en fjärrkontroll



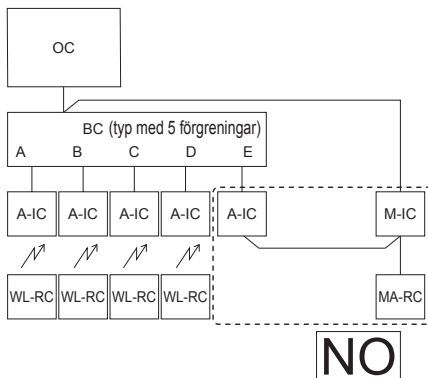
### 2. Gruppdrift mellan olika köldmedelssystem



### 3. Anslutning av M-NET fjärrkontroll



### 4. Gruppdrift mellan A-kontrollsystem och M-NET-styrsystem.



1. Flera inomhusenheter kan inte drivas med en enda fjärrkontroll.
2. Olika köldmedelssystem kan inte anslutas tillsammans.
3. M-NET fjärrkontroll kan inte anslutas.
4. Olika typer av styrsystem (A-IC/M-IC) kan inte anslutas tillsammans.

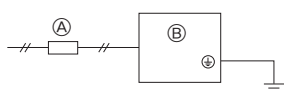
## 6. Elektriska arbeten

### 6.4. Ledningsdragning av huvudströmförsörjning och utrustningens kapacitet

Schematisk ritning över ledningsdragning : När avgreningsdosa inte används (exempel) (Fig. 6-6)

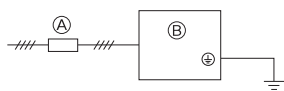
#### ■ PUMY-P-VKM4

~N 220-230-240 V 50 Hz  
~N 220-230 V 60 Hz



#### ■ PUMY-P-YKM(E)4

• YKM4  
3N~380-400-415 V 50 Hz  
3N~380 V 60 Hz  
• YKME4  
3N~380-400-415 V 50 Hz



~N 220-230-240 V 50 Hz  
~N 220-230 V 60 Hz

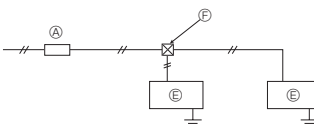


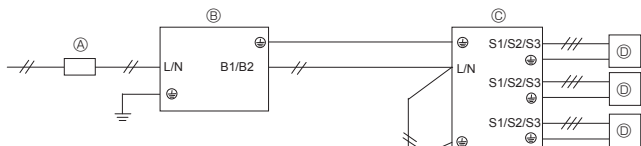
Fig. 6-6

Schematisk ritning över ledningsdragning : Vid användning av avgreningsdosa (exempel) (Fig. 6-7)

<När ström kommer från utomhusenheten>

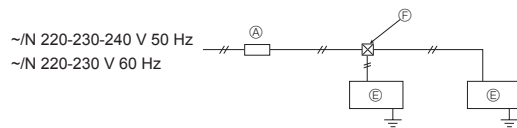
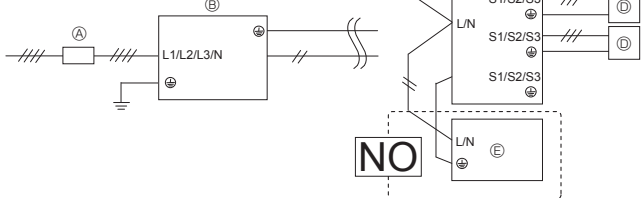
#### ■ PUMY-P-VKM4

~N 220-230-240 V 50 Hz  
~N 220-230 V 60 Hz



#### ■ PUMY-P-YKM(E)4

• YKM4  
3N~380-400-415 V 50 Hz  
3N~380 V 60 Hz  
• YKME4  
3N~380-400-415 V 50 Hz



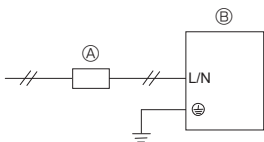
- Ⓐ Omkopplare (brytare för ledningsdragning och strömförlust)
- Ⓑ Utomhusenhet
- Ⓒ Avgreningsdosa
- Ⓓ "A-kontroll" Inomhusenhet (Inomhusenhet i M, S, P-serien)
- Ⓔ M-NET Control-inomhusenhet (City Multi-inomhusenhet)
- Ⓕ Dragningsdosa

\* M-NET Control-inomhusenheten kan inte ta emot ström från en utomhusenhet, så förse den med ström separat.

<När ström kommer separat>

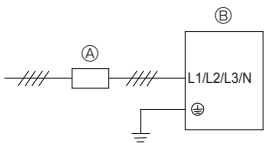
#### ■ PUMY-P-VKM4

~N 220-230-240 V 50 Hz  
~N 220-230 V 60 Hz

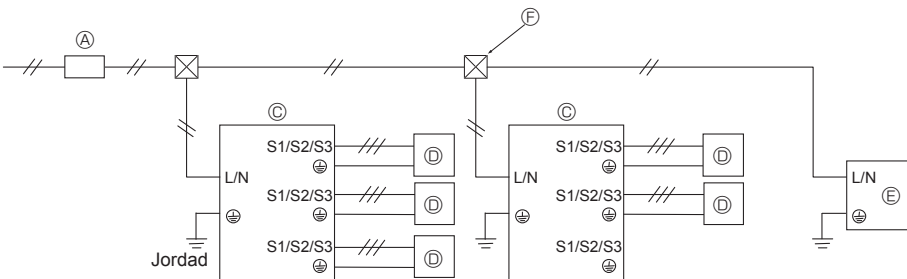


#### ■ PUMY-P-YKM(E)4

• YKM4  
3N~380-400-415 V 50 Hz  
3N~380 V 60 Hz  
• YKME4  
3N~380-400-415 V 50 Hz



~N 220-230-240 V 50 Hz  
~N 220-230 V 60 Hz



Obs: ReaktorBOX (Extra tillbehör)

När produkten används för ett annat syfte än som professionell utrustning kan ReaktorBOX vara nödvändig.

Utomhusenhet	Metod för strömförsörjning i avgreningsdosa	
	Strömförsörjning från utomhusenhet	Separat strömförsörjning
1-fas strömförsörjning	Ej nödvändigt	Nödvändigt
3-fas strömförsörjning	Nödvändigt	Nödvändigt

Fig. 6-7



## 6. Elektriska arbeten

### Tvårsnittetsarea för ledning för huvudströmförsörjning och kapacitet På/Av

<När ström kommer separat>

Modell	Strömförsörjning	Minimalt tvärsnitt för ledningsarea (mm <sup>2</sup> )			Brytare för ledningsdragnings *1	Brytare för strömförlust	
		Huvudkabel	Förgrening	Jord			
Utomhusenhet	P112-140VKM4	~N 220-230-240 V 50 Hz ~N 220-230 V 60 Hz	6	–	6	32 A	32 A 30 mA 0,1 sek. eller mindre
	P112-140YKM4	3N~380-400-415 V 50 Hz 3N~380 V 60 Hz	1,5	–	1,5	16 A	16 A 30 mA 0,1 sek. eller mindre
	P112-140YKME4	3N~380-400-415 V 50 Hz					

<När ström kommer från utomhusenheten>

Modell	Strömförsörjning	Minimalt tvärsnitt för ledningsarea (mm <sup>2</sup> )			Brytare för ledningsdragnings *1	Brytare för strömförlust	
		Huvudkabel	Förgrening	Jord			
Utomhusenhet	P112-140VKM4	~N 220-230-240 V 50 Hz ~N 220-230 V 60 Hz	6	–	6	40 A	40 A 30 mA 0,1 sek. eller mindre
	P112-140YKM4	3N~380-400-415 V 50 Hz 3N~380 V 60 Hz	2,5	–	2,5	20 A	20 A 30 mA 0,1 sek. eller mindre
	P112-140YKME4	3N~380-400-415 V 50 Hz					

\*1 Använd ett överspänningsskydd utan säkring (NF) eller en jordslutningsbrytare (NV) med minst 3,0 mm avstånd mellan kontaktarna i varje pol.

<Inomhusenheter>

Total driftström för inomhusenhet	Minimal ledningstjocklek (mm <sup>2</sup> )			Jordfelsbrytare *1	Lokal strömbrytare (A)		Brytare för ledningsdragnings (NFB)
	Huvudledning	Avgrening	Jord		Kapacitet	Säkring	
F0 = 16 A eller mindre *2	1,5	1,5	1,5	20 A strömkänslighet *3	16	16	20
F0 = 25 A eller mindre *2	2,5	2,5	2,5	30 A strömkänslighet *3	25	25	30
F0 = 32 A eller mindre *2	4,0	4,0	4,0	40 A strömkänslighet *3	32	32	40

Se IEC61000-3-3 för max. tillåten systemimpedans.

\*1 Jordfelsbrytare ska ha stöd för växelriktare.

Jordfelsbrytaren ska kombineras med användning av lokal strömbrytare eller brytare för ledningsdragnings.

\*2 Använd det största värdet från F1 eller F2 som värde för F0.

F1 = Totalt maxvärde för inomhusenheternas driftström x 1,2

F2 =  $\{V1 \times (\text{Antal Typ } 1)/C\} + \{V1 \times (\text{Antal Typ } 2)/C\} + \{V1 \times (\text{Antal Typ } 3)/C\} + \dots + \{V1 \times (\text{Antal Typ } 14)/C\}$

Anslut till avgreningsdosa (PAC-MK-BC(B))

Inomhusenhet		V1	V2	
Typ 1	PEAD-RP-JA(L)Q, PEAD-M-JA(L), PEY-(S)P-JA	26,9	2,4	
Typ 2	SEZ-KD-VAQ(L), SEZ-M-DA(L), PCA-RP-KAQ, PCA-M-KA, PLA-ZRP-BA, PLA-RP-EA, SLZ-KF-VA2, SLZ-M-FA, PLY-(S)P-BA, SEZ-KH-VALT, PCY-(S)P-KA	19,8		
Typ 3	MLZ-KA-VA, SLZ-KA-VAQ(L)3	9,9		
Typ 4	MFZ-KJ-VE2, MSXY-FJ-VE, MSZ-LN-VG, MSZ-AP-VG, MLZ-KP-VF	7,4		
Typ 5	MSZ-FH-VE, MSZ-SF-VE, MSZ-EF-VE, MSZ-SF-VA, MSZ-GF-VE, MSZ-GE-VA, MSZ-EF-VA, MSY-GE-VA, MSY-EF-VA, MSZ-FH-VA, MSY-GH-VA, MSZ-FK-VA, MSZ-GC-NA	6,8		
Typ 6	Avgreningsdosa (PAC-MK-BC(B))	5,1		3,0
Typ 7	ecodan, generation C			5,0 *5

\*5 Detta värde kan öka på grund av lokalt anslutet ställdon.

Anslut till anslutningssats (PAC-LV11M-J)

Inomhusenhet		V1	V2
Typ 8	MFZ-KJ-VE2	7,4	2,4
Typ 9	MSZ-GE-VA, MSZ-SF-VA, MSZ-SF-VE, MSZ-EF-VE, MSZ-FH-VE, MSY-GE-VA, MSY-GH-VA	6,8	
Typ 10	Anslutningssats (PAC-LV11M-J)	3,5	

Inomhusenhet		V1	V2
Typ 11	PEFY-VMA(L)-E, PEFY-VMA3-E	38,0	1,6
Typ 12	PMFY-VBM-E, PLFY-VEM-E, PLFY-VFM-E1, PEFY-VMS1(L)-E, PCFY-VKM-E, PKFY-VHM-E, PKFY-VKM-E, PFFY-VKM-E2, PFFY-VLRMM-E, PLFY-EP-VEM-E, PMFY-P-VFM-D	19,8	2,4
Typ 13	PKFY-VBM-E	3,5	2,4
Typ 14	PLFY-VLMD-E, PEFY-VMR-E-L/R, PDFY-VM-E, PEFY-VMH-E, PFFY-VLEM-E, PFFY-VLRM-E, PWFY-VM-E1(2)-AU, PEFY-P-VMH-E-F, GUF-RD(H)4	0,0	0,0

C : Multipel av utlösningström vid utlösningstiden 0,01 s

Hämta "C" från brytarens utlösningsegenskaper.

## 6. Elektriska arbeten

<Exempel på "F2" uträkning>

Villkor PEFY-VMS × 4 + PEFY-VMA × 1, C = 8 (se exempeldiagrammet till höger)

$F2 = 19,8 \times 4/8 + 38 \times 1/8$

= 14,65

→ 16 A brytare (Utlösningström =  $8 \times 16$  A vid 0,01 s)

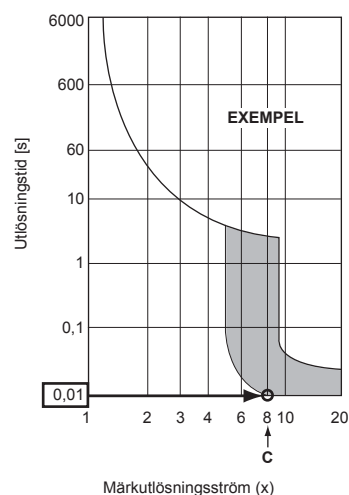
\*3 Strömkänslighet beräknas med följande formel.

$G1 = V2 \times (\text{Antal Typ 1}) + V2 \times (\text{Antal Typ 2}) + V2 \times (\text{Antal Typ 3}) + \dots + V2 \times (\text{Antal Typ 14}) + V3 \times (\text{Ledningslängd [km]})$

G1	Strömkänslighet
30 eller mindre	30 mA 0,1 sek eller mindre
100 eller mindre	100 mA 0,1 sek eller mindre

Ledningstjocklek	V3
1,5 mm <sup>2</sup>	48
2,5 mm <sup>2</sup>	56
4,0 mm <sup>2</sup>	66

Exempeldiagram



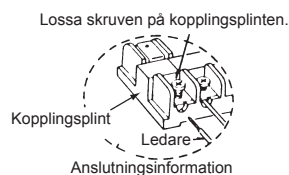
1. Tänk på omgivningsförhållandena (omgivningstemperatur, direkt solljus, regnvatten osv.) när ledningarna dras och ansluts.
2. Ledningsstorleken är det minimala värdet för ledningar i metallskyddsror. Strömladdens storlek ska vara 1 grad tjockare med tanke på spänningsfall. Kontrollera att strömförsörjningens spänning inte sjunker med mer än 10%.
3. Specifika ledningskrav ska uppfylla de lokala föreskrifterna för ledningsdragning.
4. Strömladdar för apparater för utomhusbruk ska inte vara lättare än skärmade, böjliga polykloroprenkablar (design 60245 IEC57). Använd t.ex. YZW-ledningar.
5. Installera en jordledning som är längre än de övriga kablarna.

### ⚠ Varning:

- Se till att de specificerade ledningarna används vid anslutning så att inga externa krafter påverkar plintanslutningarna. Om anslutningarna inte fästs ordentligt kan det leda till överhettning eller brand.
  - Se till att rätt typ av överspänningsbrytare används. Observera att överspänningen som genereras kan inkludera en viss mängd likström.
  - Se till att göra fast utomhuspanelens kopplingsplint's hölje/panel.
- Om det inte är fäst korrekt, kan detta orsaka brand eller elektriska stötar på grund av damm, vatten osv.

### ⚠ Försiktighet:

- Var försiktig så att sladdarna ej ansluts på felaktigt sätt.
- Dra åt kopplingskruvarna ordentligt så att de inte lossnar.
- Efter åtdragningen, dra lätt i kablarna för att kontrollera att de inte rör sig.
- Om anslutningskabeln ej är ansluten på korrekt sätt till kopplingsplinten, kommer enheten ej att fungera normalt.
- På vissa installationsplatser kanske en jordslutningsbrytare måste installeras. Om en jordslutningsbrytare inte installeras kan det leda till elektriska stötar.
- Använd inte något annat än en brytare och säkring med rätt kapacitet. Om en säkring och en ledning eller kopparledning med för stor kapacitet används kan det leda till felaktig funktion på enheten eller brand.



### VIKTIGT

Säkerställ att jordfelsbrytaren är kompatibel med högre svängningar.

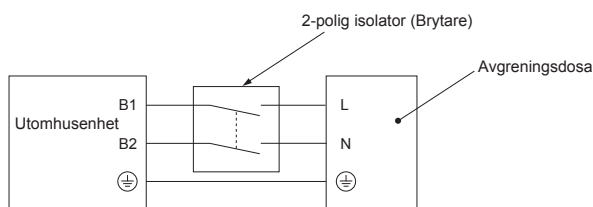
Använd alltid en jordfelsbrytare som är kompatibel med högre svängningar eftersom denna enhet är utrustad med en växelriktare.

Om en otillräcklig brytare används kan växelriktaren fungera felaktigt.

Skarva aldrig strömkabeln eller anslutningskabeln till inomhus-utomhus-avgreningsdosan, detta kan leda till rökbildning, eldsvåda eller kommunikationsfel.

### ⚠ Varning:

- Stäng av huvudströmmen vid underhåll. Och rör inte terminalerna B1, B2 när strömmen är på. Om isolator skulle användas mellan utomhusenhet och avgreningsdosa/inomhusenhet och avgreningsdosa, var god använd 2-polig typ. (Var god se figur nedan.)



### ⚠ Försiktighet:







Efter att isolation har använts, se till att stänga av och sätta på huvudströmmen för att återställa systemet. Annars kanske inte utomhusenheten kan upptäcka avgreningsdosan/avgreningsdosorna eller inomhusenheterna.

Se till att ansluta utomhusavgreningsdosans/inomhusavgreningsdosans anslutningskablar direkt till enheterna (inga mellankopplingar). Mellankoppling kan leda till kommunikationsfel om vatten kommer in i kablarna och orsakar otillräcklig markisolation eller dålig elektrisk kontakt vid mellankopplingen. (Om mellankoppling måste användas, se då till att vidta åtgärder för att förhindra att vatten tar sig in i kablarna.)

## 6. Elektriska arbeten

### 6.5. Adressinställning

Ändra adressinställning

	Utomhus	Avgreningsdosa				M, S, P-serien inomhus	CITY MULTI-serien																																															
		Adress		Anslutningsinställning																																																		
Brytare	  SWU2 SWU1	  SW12 SW11	<table border="1"> <tr><td>A</td><td>B</td><td>C</td><td>D</td><td>E</td><td>-</td></tr> <tr><td>1</td><td>2</td><td>3</td><td>4</td><td>5</td><td>6</td></tr> </table> SW1	A	B	C	D	E	-	1	2	3	4	5	6	PÅ: Inomhusanslutning OFF: Ingen anslutning (SW1-6 används inte)	Ingen	  SW12 SW11																																				
A	B	C	D	E	-																																																	
1	2	3	4	5	6																																																	
Räckvidd	51 – 100	1 – 50		-		-	1 – 50																																															
Inställning	M-styrning inomhus eller avgreningsdosaadress +50	<ul style="list-style-type: none"> <li>I enlighet med den förinställda adressen (till exempel, 01), så ställs de anslutna inomhusenheterna in sekventiellt (till exempel, 02, 03, 04 och 05).</li> </ul> <table border="1"> <tr><td>SW1</td><td>1</td><td>2</td><td>3</td><td>4</td><td>5</td><td></td></tr> <tr><td></td><td>PÅ</td><td>PÅ</td><td>PÅ</td><td>PÅ</td><td>PÅ</td><td></td></tr> <tr><td>Port</td><td>A</td><td>B</td><td>C</td><td>D</td><td>E</td><td></td></tr> <tr><td>Adress</td><td>01</td><td></td><td></td><td></td><td></td><td>(SW11, 12)</td></tr> <tr><td></td><td></td><td>02</td><td>03</td><td>04</td><td>05</td><td>(sekventiella nummer)</td></tr> </table>	SW1	1	2	3	4	5			PÅ	PÅ	PÅ	PÅ	PÅ		Port	A	B	C	D	E		Adress	01					(SW11, 12)			02	03	04	05	(sekventiella nummer)	<ul style="list-style-type: none"> <li>Ange om inomhusenheterna är anslutna till varje port (A, B, C, D och E).</li> </ul> <table border="1"> <tr><td>SW1</td><td>1</td><td>2</td><td>3</td><td>4</td><td>5</td><td>(6)</td></tr> <tr><td>Port</td><td>A</td><td>B</td><td>C</td><td>D</td><td>E</td><td>används inte</td></tr> </table> <p>Inomhusenheter är anslutna PÅ Inomhusenheter är inte anslutna AV</p>	SW1	1	2	3	4	5	(6)	Port	A	B	C	D	E	används inte	Det finns inga adressinställningar för inomhusenheterna.	-
SW1	1	2	3	4	5																																																	
	PÅ	PÅ	PÅ	PÅ	PÅ																																																	
Port	A	B	C	D	E																																																	
Adress	01					(SW11, 12)																																																
		02	03	04	05	(sekventiella nummer)																																																
SW1	1	2	3	4	5	(6)																																																
Port	A	B	C	D	E	används inte																																																

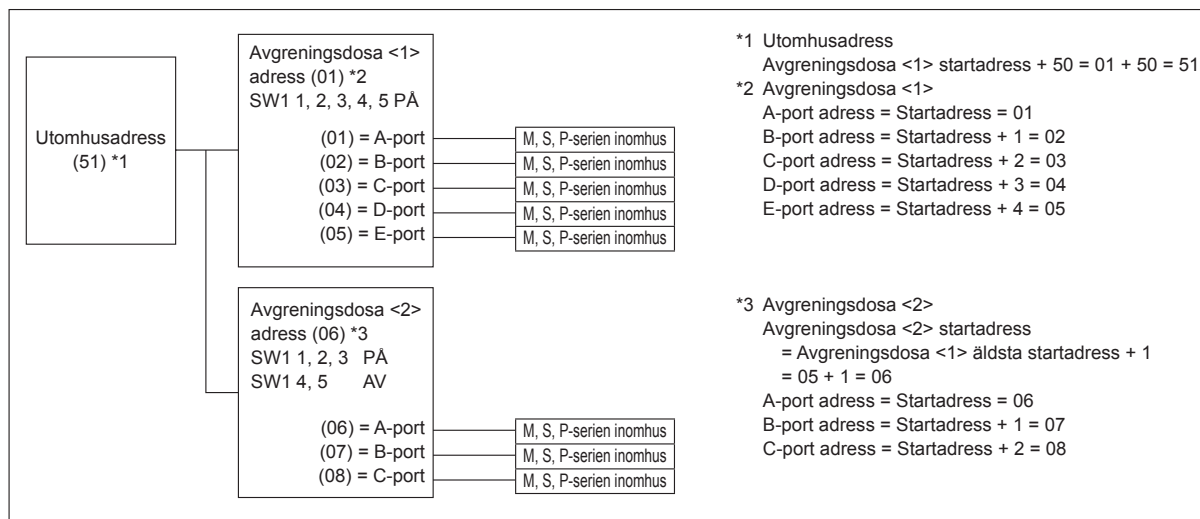
#### Obs: 1. Adress avgreningsdosa

Vid inställning av adress, använd ett nummer mellan 1–50.

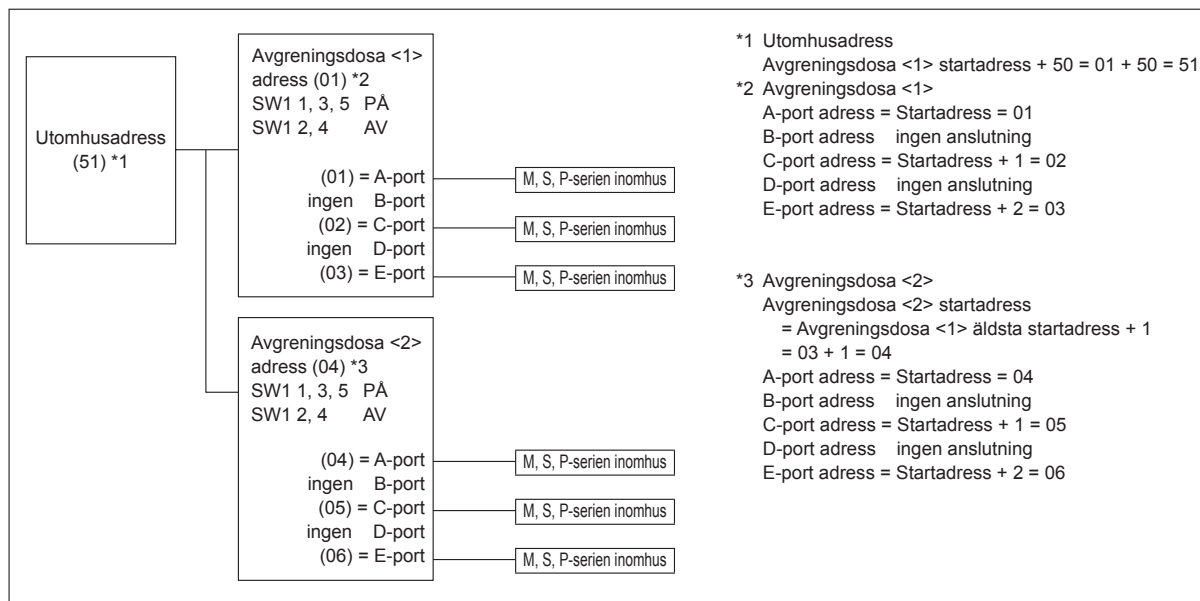
Ex. Den förinställda adressen är (47) och det finns 5 inomhusenheter (A, B, C, D, och E).

Om A: (47), B: (48), C: (49), D: (50), och E: (51), är E fel eftersom att det överstiger 50.

Ex1. Utomhus + Avgrening <1> (M, S, P-serien inomhus A, B, C, D, E) + Avgrening <2> (M, S, P-serien inomhus A, B, C)



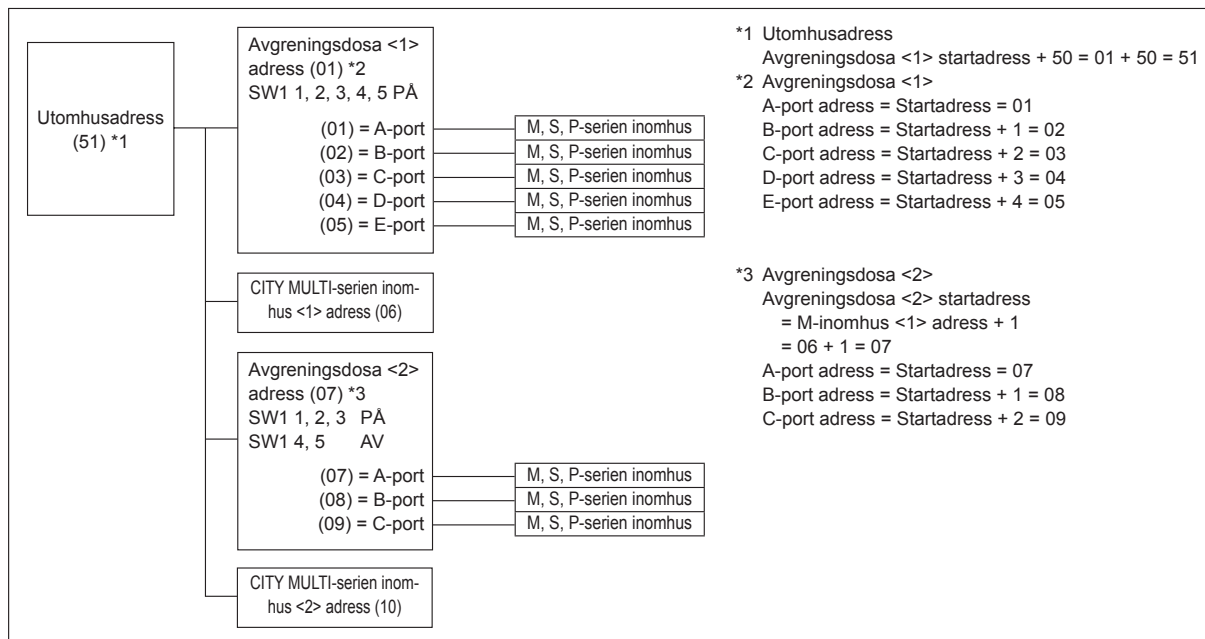
Ex2. Utomhus + Avgrening <1> (M, S, P-serien inomhus A, C, E) + Avgrening <2> (M, S, P-serien inomhus A, C, E)



SW

## 6. Elektriska arbeten

Ex3. Utomhus + Avgrening <1> (M, S, P-serien inomhus A, B, C, D, E) + Avgrening <2> (M, S, P-serien inomhus A, B, C) + CITY MULTI-serien inomhus <1> + CITY MULTI-serien inomhus <2>



## 7. Provkörning

### 7.1. Innan provkörningen

- ▶ Efter installationen och då rör- och elarbeten för inomhus- och utomhusenheterna är avslutade, leta efter köldmedelsläckage, lösa anslutningar för nätström eller styrström och felaktig polaritet och att det inte finns någon urkoppling av en fas i matningsspänningen.
- ▶ Använd ett 500-Volt M-ohm mätinstrument för att kontrollera att resistansen mellan strömtillförselkontaktarna och jord är minst 1 MΩ.
- ▶ Utför ej denna test på styrströmsledningarnas uttag (lågspänningskretsar).

⚠ **Varning:**

Använd ej luftkonditioneringen om isoleringsmotståndet är mindre än 1 MΩ.

#### Isoleringsresistans

Efter installationen eller när enhetens spänningskälla har varit urkopplad under en längre tid, sjunker isoleringsresistansen under 1 MΩ på grund av köldmedel som ansamlas i kompressorn. Detta är inget fel. Gör följande:

1. Ta bort ledningarna från kompressorn och mät kompressorns isoleringsresistans.
2. Om isoleringsresistansen är lägre än 1 MΩ, är det fel på kompressorn eller så sjönk resistansen på grund av ansamlingen av köldmedel i kompressorn.

3. När du anslutit ledningarna till kompressorn, börjar den värmas upp när spänningen kopplats in. Mät isoleringsresistansen igen, när spänningen varit inkopplad den tid som anges nedan.
  - Isoleringsresistansen sjunker på grund av ansamling av köldmedel i kompressorn. Resistansen ökar över 1 MΩ när kompressorn värmts upp i 12 timmar. (Den tid som behövs för att värma upp kompressorn varierar på grund av atmosfäriska villkor och ansamlingen av köldmedel.)
  - För att man ska kunna använda kompressorn när köldmedel ansamlats i kompressorn, måste den värmas upp i minst 12 timmar för att förhindra haveri.
4. Om isoleringsresistansen ökar över 1 MΩ, är det inget fel på kompressorn.

⚠ **Försiktighet:**

- **Kompressorn kommer ej att fungera om inte fasanslutningen för nätströms-tillförseln är korrekt.**
- **Slå på strömmen minst 12 timmar innan provkörningen startas.**
- Om drift inleds omedelbart efter det att nätströmmen slagits på kan interna delar skadas. Låt strömbrytaren vara inkopplad under driftsäsongen.

▶ **Följande måste även kontrolleras.**

- Utomhusenheten är hel. Lysdioden på utomhusenhetens kontrollkort blinkar när utomhusenheten är trasig.
- Både stoppventilen för gas och den för vätska är helt öppna.

## 7.2. Provkörning

### 7.2.1. Att använda fjärrkontrollen

Se installationsanvisningen för inomhusenheten.

- Var noga med att provköra var och en av inomhusenheterna. Säkerställ att de olika inomhusenheterna fungerar på ett korrekt sätt genom att följa de anvisningar som medföljer respektive enhet.
- Om provkörningen utförs för samtliga inomhusenheter samtidigt, kan man ej upptäcka eventuella felaktiga anslutningar av köldmedelsrör och anslutningskablar.
- \* Kompressorn kan ej tas i drift under de 3 första minuterna (minst) sedan strömmen slagits på.
- Kompressorn kan avge oljud precis efter att strömmen slagits på eller om utomhustemperaturen är låg.
- Beroende på driftförsättningsarna kan fläkten för utomhusenheten sluta fungera medan kompressorn används, men detta är inget fel.

#### Om omstartsskyddet

När kompressorn stannar, aktiveras ett omstartsskydd för att skydda luftkonditioneringen så att kompressorn inte går igång under 3 minuter.

## 7.3. Återvinning av köldmedel

Samla upp köldmedel genom att utföra procedurerna nedan när inomhus- eller utomhusenheten ska flyttas.

- ① Stäng av strömbrytaren.
- ② Anslut lågtryckssidan på mätarens förgreningsrör till serviceporten på gasens stoppventil.
- ③ Stäng stoppventilen för vätska helt.
- ④ Slå på strömmen (strömbrytare).
  - \* Det tar cirka 3 minuter att starta kommunikationen mellan inom- och utomhusenheten efter det att strömmen (strömbrytare) slås på. Starta inhämtningen 3 till 4 minuter efter det att strömmen (strömbrytare) slagits PÅ.
- ⑤ Kontrollera att SW3-2 är inställd på OFF och ställ därefter in SW3-1 på ON för att genomföra provkörningen av nedkylningen. Kompressorn (utomhusenheten) och fläktarna (inom- och utomhusenheterna) startar och provkörningen av kylfunktionen påbörjas. Omedelbart efter att provkörningen av nedkylningen har genomförts ska utomhusenhetens serviceomkopplare SW2-4 (inhämtningsomkopplaren) ställas om från OFF till ON.
  - \* Fortsätt inte körningen under en längre tid med omkopplaren SW2-4 inställd till PÅ. Var noga med att ställa in den till AV efter det att inhämtningen slutförts.

- ⑥ Stäng stoppventilen för gasen helt när avläsningen på tryckmätaren sjunker 0,05–0,00 MPa (ungefär 0,5–0,0 kgf/cm<sup>2</sup>)
- ⑦ Stoppa luftkonditioneringen (SW3-1: AV). Ställ in utomhusenhetens serviceomkopplare SW2-4 från PÅ till AV.
- ⑧ Stäng av strömförsörjningen (strömbrytare).
  - \* Om för mycket köldmedel har hämtats till luftkonditioneringsystemet kanske inte trycket sjunker till 0,05 MPa (0,5 kgf/cm<sup>2</sup>). Om detta inträffar, använd en uppsamlingsenhet för köldmedlet i systemet och fyll sedan på systemet med rätt mängd köldmedel efter det att inomhusdelen och utomhusdelen har placerats om.

⚠ **Varning:**

**Vid inhämtning av köldmedium ska kompressorn stoppas innan kylvätskerören kopplas bort. Kompressorn kan spricka och orsaka personskador om en främmande substans, t.ex. luft, tränger in i systemet.**

## İçindekiler

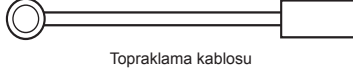
1. Güvenlik Önlemleri .....	222	5. Drenaj Tesisatı İşleri .....	234
2. Montaj yeri .....	224	6. Elektrik işleri .....	234
3. Dış ünitenin monte edilmesi .....	227	7. Çalışma testi .....	243
4. Soğutucu borularının monte edilmesi .....	227		

### ⚠ Dikkat:

- R410A'yı Atmosfere bırakmayın.

## Birlikte verilen parçaların teyidi

Dış ünite ile birlikte bu kılavuzun yanı sıra aşağıdaki parça da verilmektedir. İletim terminal bloku TB7'nin S terminalini topraklamak için kullanılır. Ayrıntı için bkz. "6. Elektrik işleri".



Topraklama kablosu

## 1. Güvenlik Önlemleri

- ▶ Üniteyi monte etmeden önce "Güvenlik Önlemleri" nin hepsini okumalısınız.
- ▶ Lütfen sisteme bağlamadan önce elektrik kurumuna haber verin veya onayını alın.
- ▶ IEC/EN 61000-3-12 standartlarına uyumlu PUMY-P-VKM serisi
- ▶ PUMY-P-VKM serisi ve PUMY-P-YKME serisi, konutlarda, ticari ve hafif endüstriyel ortamlarda kullanılmak amacıyla tasarlanmıştır.
- ▶ PUMY-P-YKM serisi, profesyonel bir ekipman olarak tasarlanmıştır.
- ▶ ATW (Havadan Suya) bir iç üniteyi (EHST20C ve EHSC serisi) 3 fazlı bir model ile monte ederken PUMY-P-YKME4 kullanın.

### ⚠ Uyarı:

Kullanıcı açısından yaralanma veya ölüm tehlikesinin önüne geçmek için alınması gereken önlemleri açıklar.

### ⚠ Dikkat:

Cihazın hasar görmesini önlemek için alınması gereken önlemleri açıklar.

### ⚠ Uyarı:

- Cihaz kullanıcı tarafından monte edilmemelidir. Satıcıdan veya yetkili servisten cihazı monte etmelerini isteyin. Cihazın montajı yanlış yapıldığı takdirde, su kaçağı, elektrik çarpması veya yangın meydana gelebilir.
- Bu cihaz uzman ya da mağazalarda, hafif sanayi ve çiftliklerdeki eğitimli kullanıcılar tarafından ya da belirli bir meslekten olmayan kişiler tarafından kullanıma yöneliktir.
- Montaj işleri sırasında, Montaj Kılavuzu'nda yer alan talimatları izleyin ve R410A soğutucu ile kullanılmak üzere özel olarak imal edilmiş gereçleri ve boru elemanlarını kullanın. HFC sistemi içindeki R410A soğutucu, sıradan soğutuculardan 1,6 kat daha yüksek bir basınçla sıkıştırılmıştır. R410A soğutucu için tasarlanmamış boru elemanları kullanıldığı ve cihaz doğru şekilde monte edilmediği takdirde, borular patlayabilir ve hasara veya yaralanmalara yol açabilir. Ayrıca, su kaçağı, elektrik çarpması veya yangın da meydana gelebilir.
- Deprem, fırtına veya şiddetli rüzgardan zarar görme riskini en aza indirmek için, cihaz talimatlara uygun olarak monte edilmelidir. Yanlış monte edilmiş bir cihaz düşebilir ve hasara veya yaralanmalara yol açabilir.
- Cihaz, ağırlığını taşıyabilecek bir yapı üzerine emniyetli şekilde monte edilmelidir. Cihaz dengesiz bir yapı üzerine monte edildiği takdirde, düşebilir ve hasara veya yaralanmalara yol açabilir.
- Klima cihazı küçük bir odaya kurulacaksa, soğutucu kaçağı olması durumunda oda içindeki soğutucu konsantrasyonunun güvenlik sınırını aşmasını önleyecek tedbirler alınmalıdır. İzin verilen konsantrasyonun aşılması için alınacak tedbirler konusunda satıcıya danışın. Soğutucu kaçağı olması ve konsantrasyon sınırının aşılması durumunda, oda içinde oluşacak oksijen azlığı nedeniyle tehlikeli durumlara yol açılabilir.
- Kullanım sırasında soğutucu kaçağı meydana gelirse, odayı havalandırın. Soğutucunun alevle temas etmesi durumunda zehirli gazlar oluşabilir.
- Bütün elektrik işleri ruhsatlı teknisyenler tarafından, yerel yönetmeliklere ve bu kılavuzda verilen talimatlara uygun şekilde yapılmalıdır. Cihazlar kendilerine ayrılmış elektrik hatlarına bağlanmalı ve doğru voltaj ve devre kesiciler kullanılmalıdır. Yetersiz kapasiteye sahip elektrik tesisatı ve elektrik işlerinin yanlış yapılması elektrik çarpmasına veya yangına neden olabilir.
- Soğutucu borularını bağlarken, bakır ve bakır alaşımлы kaynaklı borular için C1220 bakır fosfor kullanın. Borular düzgün şekilde bağlanmadığı takdirde, cihaz doğru şekilde topraklanmayacak ve elektrik çarpması riski doğacaktır.

Montaj tamamlandıktan sonra, Kullanma Kılavuzunda yer alan bilgilere uygun şekilde müşteriye cihazın "Güvenlik Önlemleri" ni, kullanımını ve bakımını açıklayın ve cihazın normal şekilde çalıştığından emin olmak için bir çalışma testi yapın. Hem Montaj Kılavuzu hem de Kullanım Kılavuzu, kullanıcıda kalmak üzere kendisine verilmelidir. Bu kılavuzlar sonraki kullanıcılara da devredilmelidir.

⚡ : Topraklanması gereken parçaları gösterir.

### ⚠ Uyarı:

Ana üniteye yapıştırılmış olan etiketleri dikkatle okuyunuz.

- Kablolama için sadece belirtilen kabloları kullanın. Kablolama bağlantıları, terminal bağlantılarında hiç gerilim uygulanmadan güvenle yapılmalıdır. Ayrıca kablolama için kabloları hiçbir zaman birbirine bağlamayın (tersi bu belgede belirtilmediği). Bu talimatlara uyulmaması aşırı ısınmaya ya da yangına neden olabilir.
- Bina dışı ünitenin terminal blok kapağı paneli sıkıca tutturulmalıdır. Kapak paneli yanlış yerleştirilirse ve üniteye toz ve nem girerse, elektrik şoku oluşabilir veya yangın çıkabilir.
- Klimanın montajını yaparken, yerini değiştirirken veya bakımını yaparken soğutucu hatlarını doldurmak için yalnızca belirtilen soğutucuyu (R410A) kullanın. Bu soğutucuyu diğer soğutucularla karıştırmayın ve hatlarda hava kalmamasını sağlayın.
- Havanın soğutucuyla karışması, soğutucu hattında anormal bir basınç oluşmasına neden olabilir ve bu da patlamaya veya diğer tehlikelerin ortaya çıkmasına neden olabilir.
- Sistem için belirtilenden farklı bir soğutucunun kullanılması mekanik arızaya, sistemin bozulmasına veya ünitenin arızalanmasına neden olabilir. Bu durum, en kötü ihtimalde ürün güvenliğinin sağlanması açısından bir engel ortaya çıkarabilir.
- Bunların monte edilmesi sırasında yalnızca Mitsubishi Electric tarafından izin verilen aksesuarları kullanın veya satıcı veya yetkili teknisyene danışın. Aksesuarların montajı yanlış yapıldığı takdirde, su kaçağı, elektrik çarpması veya yangın meydana gelebilir.
- Cihaz üzerinde değişiklik yapmayın. Onarım işleri için satıcıya başvurun. Değişikliklerin veya onarımların yanlış yapılması durumunda, su kaçağı, elektrik çarpması veya yangın meydana gelebilir.
- Kullanıcı asla cihazı tamir etmeye veya başka bir yere taşımaya kalkışmamalıdır. Cihazın montajı yanlış yapıldığı takdirde, su kaçağı, elektrik çarpması veya yangın meydana gelebilir. Klima cihazının onarılması veya başka bir yere taşınması gerekiyorsa, satıcı veya yetkili bir teknisyene başvurun.
- Montaj tamamlandıktan sonra, soğutucu kaçağı olup olmadığını kontrol edin. Soğutucunun odaya sızması ve herhangi bir ısıtıcının alevi veya portatif bir yemek pişirme aracının etki alanıyla temas etmesi halinde zehirli gazlar oluşabilir.
- Cihaz mutlaka ulusal kablo bağlantı yönetmeliklerine uygun şekilde monte edilmelidir.
- Elektrik kablosu hasar görmüşse, olası tehlikelerin önlenmesi için mutlaka üretici, yetkili servis veya benzeri yetkili kişi veya kuruluşlar tarafından değiştirilmelidir.

# 1. Güvenlik Önlemleri

## 1.1. Montajdan önce

### ⚠ Dikkat:

- Cihazı alışılmadık ortamlarda kullanmayın. Klima cihazının buhar, uçucu yağ (makine yağı dahil) ve sülfürik aside maruz kalan alanlara, deniz kenarı gibi yüksek derecede tuza maruz kalan alanlara veya cihazın karla kaplanabileceği alanlara monte edilmesi durumunda, performansı önemli ölçüde düşebilir ve iç aksamı zarar görebilir.
- Cihazı yanıcı gazların oluşabileceği, sızabileceği, akabileceği veya birikebileceği yerlere monte etmeyin. Cihazın yakınında yanıcı gazların birikmesi halinde yangın veya patlama meydana gelebilir.
- Dış ünite, ısıtma işlemi sırasında yoğunlaşmaya yol açar. Söz konusu yoğunlaşmanın zarar verme olasılığı varsa, dış ünite etrafında drenaj sağlayın.
- Cihazı hastane veya iletişim ofislerine monte ederken, gürültü ve elektronik parazite karşı hazırlıklı olun. Akım dönüştürücüler, ev aletleri, yüksek frekanslı tıbbi cihazlar ve radyo iletişim cihazları, klima cihazının çalışmasının aksamasına veya bozulmasına yol açabilir. Aynı zamanda klima cihazı da tıbbi cihazlara etki ederek ekran görüntüsünü bozmak suretiyle tıbbi bakımı ve iletişim cihazlarının çalışmasını aksatabilir.

## 1.2. Montajdan önce (yer değiştirme)

### ⚠ Dikkat:

- Cihazların yerini değiştirirken son derece dikkatli olun. 20 kg veya daha ağır olduğundan, bu cihazı taşımak için iki veya daha fazla kişi gerekir. Ambalaj bantlarından tutmayın. Soğutma kancıklarını veya diğer parçaları ellerinizi yaralayabileceği için, cihazı ambalajından çıkarırken veya taşıırken koruyucu eldiven giyin.
- Ambalaj maddelerinin güvenli şekilde atıldığından emin olun. Çivi veya başka metal veya tahta parçaları gibi ambalaj maddeleri batma veya başka şekillerde yaralanmalara yol açabilir.
- Dış ünitenin tabanı ve takılı parçalar gevşeme, çatlama ve diğer aksaklıklara karşı belirli aralıklarla kontrol edilmelidir. Bu gibi aksaklıklar düzeltilmeden bırakılırsa, cihaz düşebilir ve hasara veya yaralanmalara yol açabilir.
- Klima cihazını suyla temizlemeyin. Elektrik çarpması meydana gelebilir.
- Tork anahtarı kullanarak, bütün geçme somunları belirtilen değere kadar sıkın. Fazla sıkıldığı takdirde, geçme somun bir süre sonra kırılabilir ve soğutucu kaçağı meydana gelebilir.

## 1.3. Elektrik işlerinden önce

### ⚠ Dikkat:

- Devre kesicilerini taktığınızdan emin olun. Bunlar takılmadığı takdirde, elektrik çarpması meydana gelebilir.
- Elektrik tesisatında, yeterli kapasiteye sahip standart kablolar kullanın. Aksi takdirde, kısa devre, aşırı ısınma veya yangın meydana gelebilir.
- Elektrik tesisatını kurarken kabloları germeyin. Kablolar gevşedikleri takdirde kopabilir veya kırılabilir ve bunun sonucunda da aşırı ısınma veya yangına yol açabilir.
- Cihazın topraklandığından emin olun. Toprak hattını gaz veya su borularına, paratonerlere veya telefon toprak hatlarına bağlamayın. Cihaz doğru şekilde topraklanmadığı takdirde, elektrik çarpması meydana gelebilir.
- Belirtilen kapasiteye sahip devre kesicileri (toprak arıza kesici, izolasyon anahtarı (+B sigortası) ve kalıplı devre kesici) kullanın. Devre kesicinin kapasitesi belirtilenden fazla olduğu takdirde, arıza veya yangın meydana gelebilir.

## 1.4. Çalışma testinden önce

### ⚠ Dikkat:

- Cihazı çalıştırmadan en az 12 saat önce ana elektrik şalterini açın. Ana elektrik şalterini açtıktan hemen sonra cihazı çalıştırmak iç parçaların ciddi hasar görmesine yol açabilir. Cihazın çalıştırılacağı mevsim boyunca ana elektrik şalterini açık bırakın.
- Çalıştırmaya başlamadan önce, bütün panellerin, muhafazaların ve diğer koruyucu parçaların doğru şekilde takılmış olduklarından emin olun. Dönen, sıcak veya yüksek voltajlı parçalar yaralanmalara yol açabilir.
- Hiçbir düğmeye ıslak elle dokunmayın. Elektrik çarpması meydana gelebilir.
- Çalışma sırasında soğutucu borularına çıplak elle dokunmayın. Soğutucu boruları, akmakta olan soğutucunun durumuna göre soğuk veya sıcak olabilir. Borulara dokunulduğu takdirde yanma veya soğuk ısırmaları meydana gelebilir.
- Klimayı durdurduktan sonra, ana şalteri kapatmadan önce en az beş dakika bekleyin. Aksi takdirde, su kaçağı veya arıza meydana gelebilir.

## 1.5. R410A soğutuculu klima cihazlarının kullanımı

### ⚠ Dikkat:

- Soğutucu borularını bağlarken, bakır ve bakır alaşımli kaynaksız borular için C1220 bakır fosfor kullanın. Boruların iç yüzeylerinin temiz ve kükürlü bileşikler, oksidantlar, moloz veya toz gibi zararlı maddelerden arınmış olduğundan emin olun. Belirtilmiş kalınlıkta borular kullanın. (Sayfa 227'e bakın) Önceden R22 soğutucusu taşımış olan mevcut boruları yeniden kullanırken şunlara dikkat edin:

- Mevcut geçme somunları değiştirin ve kıvrımlı bölümleri tekrar geçirin.
- İnce boru kullanmayın. (Sayfa 227'e bakın)

- Montajda kullanılacak olan boruları kapalı yerde saklayın ve boruların her iki ucunu da kaynak işleminden hemen öncesine kadar kapalı tutun. (Dirsek bağlantıları, vb.'yi ambalajlarında tutun.) Soğutucu hatlarına toz, moloz veya nem girdiği takdirde, yağ bozulabilir veya kompresör arızalanabilir.
- Geçmeli bölümlere uygulanacak soğutucu yağı olarak ester yağı, eter yağı, alkilbenzen yağı (az miktarda) kullanın. Soğutma yağına mineral yağ karışır, yağ bozulabilir.

Gereçler (R410A için)	
Geyç manifoldu	Geçme aleti
Doldurma hortumu	Ebat ayarlama geyçi
Gaz sızıntı detektörü	Vakum pompa adaptörü
Tork anahtarı	Elektronik soğutucu dolun tartısı

- Doğru gereçleri kullandığınızdan emin olun. Soğutucu hatlarına toz, moloz veya nem girdiği takdirde, soğutma yağı bozulabilir.
- Doldurma silindiri kullanmayın. Doldurma silindiri kullanılırsa, soğutucunun bileşimi değişecek ve verimi düşecektir.

## 2. Montaj yeri

### 2.1. Soğutucu boruları

Fig. 4-1'ye bakın.

### 2.2. Dış ünitenin montaj yerinin seçimi

- Doğrudan güneş ışığına veya diğer ısı kaynaklarına maruz kalan yerlerden kaçınin.
- Cihaz tarafından yayılan sesin komşuları rahatsız etmeyeceği bir yer seçin.
- Elektrik kaynağına ve iç üniteye kolay şekilde kablo tesisatı ve boru döşeme elverişli bir yer seçin.
- Yanıcı gazların sızıntı yaratabileceği, meydana gelebileceği, akabileceği veya birikebileceği yerlerden kaçınin.
- Çalışma sırasında cihazdan su akabileceğini unutmayın.
- Cihazın ağırlığını ve titreşimini kaldıracak düz bir yer seçin.
- Cihazın karla kaplanabileceği yerlerden kaçınin. Şiddetli kar yağışının beklendiği yerlerde, karın hava girişini tıkamasını veya tam karşısından yağmasını engellemek için montaj konumunu yükseltmek veya hava girişine bir kapak takmak gibi özel tedbirler alınmalıdır. Bu yapılmadığı takdirde hava akışı azalabilir ve arıza çıkabilir.
- Yağ, buhar veya kükürtlü gazlara maruz kalan yerlerden kaçınin.
- Cihazı taşıırken, dış üniteye yer alan taşıma kollarını kullanın. Cihaz alttan taşındığı takdirde eller veya parmaklar sıkışabilir.

### 2.3. Dış ölçüler (Dış ünite) (Fig. 2-1)

#### İç ünite montajı üzerindeki sınırlamalar

Bu dış üniteye aşağıda yer alan modellerdeki iç ünitelerin bağlanabileceğini unutmayın.

- Model numarası 15-140 olan iç üniteler bağlanabilir.
- Dağıtım Kutusu kullanırken, 15-100 model numaralı İç üniteler bağlanabilir. Mümkün oda, iç ünite kombinasyonları için aşağıdaki tablo 1'e başvurun.

#### Doğrulama

Nominal kapasite aşağıdaki tablo incelenerek belirlenmelidir. Ünite miktarları, aşağıda tablo 2 de gösterildiği şekilde sınırlanmıştır. Bir sonraki adım için, seçilen toplam nominal kapasitenin dış ünite kapasitesinin %50'si - %130'u aralığında kalacağından emin olun.

- PUMY-P112 6,3 - 16,2 kW
- PUMY-P125 7,1 - 18,2 kW
- PUMY-P140 8,0 - 20,2 kW

Tablo 1-1 City Multi iç üniteler (P-FY serisi)

İç ünite tipi	P15*	P20	P25	P32	P40	P50	P63	P71	P80	P100	P125	P140
Nominal kapasite (Soğutma) (kW)	1,7	2,2	2,8	3,6	4,5	5,6	7,1	8,0	9,0	11,2	14,0	16,0

Tablo 1-2 (M serisi, P serisi, S serisi)

İç ünite tipi	15	20	22	25	35	42	50	60	71	80	100
Nominal kapasite (Soğutma) (kW)	1,5	2,0	2,2	2,5	3,5	4,2	5,0	6,0	7,1	8,0	10,0

İç ünitelerin toplam kapasitesinin dış ünitenin kapasitesini aştığı kombinasyonlar her bir iç ünitenin soğutma kapasitesini kendi nominal soğutma kapasitelerinin altına düşürecekler. Bu yüzden, iç üniteleri mümkünse dış ünitenin kapasitesi dahilinde bir dış ünite ile birleştirin.

\* Tüm iç üniteler P15 modeli olduğunda, 12 iç ünite 1 dış üniteye bağlanabilir.

### 2.4 Bir PWFY Ünitesinin Bağlanması

İç ünite olarak bir PWFY ünitesini kullanırken, PWFY ünitesi diğer iç ünitelerden farklı olduğundan aşağıdaki noktalara dikkat edin.

PWFY ünitesi AB içerisinde bağlanamaz.

#### 2.4.1. Bağlantı kısıtlamaları

• Sadece 1 PWFY-P100VM-E-AU bağlanabilir. PWFY-P200VM-E-AU ve PWFY-P100VM-E-BU bağlanamaz.

• PWFY ünitesi, bir dış üniteye bağlanan tek ünite olamaz. PWFY ünitesi dışındaki iç ünitelerin toplam nominal kapasitesi dış ünite kapasitesinin %50 - 100'ü civarında olacak şekilde bir dış ünite seçin.

Bir PWFY ünitesini bağlarken iç ünitelerin toplam nominal kapasitesinin limitleri

- PUMY-P112 (1 PWFY ünitesi + PWFY olmayan üniteler [6,3 - 12,5 kW])
- PUMY-P125 (1 PWFY ünitesi + PWFY olmayan üniteler [7,1 - 14,0 kW])
- PUMY-P140 (1 PWFY ünitesi + PWFY olmayan üniteler [8,0 - 15,5 kW])

#### 2.4.2. İç ünite özellikleri

- Bir PWFY ünitesini bir PUMY ünitesine takarken, aşağıdaki özellikler değişecektir.
- PWFY ünitesi sadece ısıtma modunda çalışabilir. PWFY ünitesi soğutma modunda çalışamaz. Ancak, PWFY ünitesi dışındaki iç üniteler soğutma modunda çalışabilirler.
- Diğer iç üniteler PWFY ünitesi ile aynı anda çalışamaz.
- PWFY ünitesinin çalışması önceliğe sahiptir. PWFY ünitesi çalışma modundayken, diğer iç üniteler duracaktır.
- Uzaktan kumandanın sıcaklık değeri çıkış su sıcaklığı için hedef değerdir.

#### 2.4.3. Sviç ayarları (Fig. 2-2)

Bir PWFY ünitesini bir PUMY ünitesine bağladığınızda, PWFY ünitesinin SW1-1, SW4-2 ve SW4-6 DIP sviçlerini AÇIK olarak ayarlayın.

#### 2.4.4. Çalışma testi

Test çalışması dış ünite sviçleri kullanılarak yapılırsa, PWFY ünitesi çalışmayacaktır. PWFY ünitesi sviçlerini ya da uzaktan kumandayı kullanarak test çalışmasını yapın. Test çalışmasının uygulanması hakkında bilgi için, veri kitabına ya da PWFY ünitesinin servis kılavuzuna bakın.

#### 2.4.5. Soğutucu çekme işlemi (Pompalama)

"Pompa boşaltma prosedüründeki ① adım kullanıcının bütün iç üniteleri soğutma modunda çalıştırmasını ister."

PWFY ünitesi hariç, soğutma modunda tüm iç üniteleri çalıştırın.

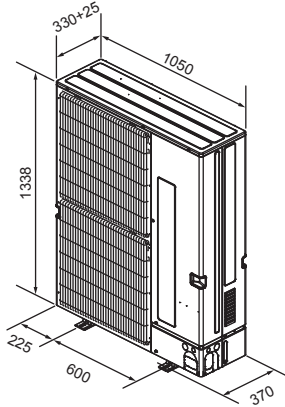


Fig. 2-1

Tablo 2 Bağlanabilir iç ünite sayıları

- City Multi iç üniteler

P112	1-9 *1
P125	1-10 *2
P140	1-12 *3

\*1 M serisi iç üniteler Bağlantı kiti kullanılarak bağlanırsa, 10 adet iç ünite bağlanabilir.

\*2 M serisi iç üniteler Bağlantı kiti kullanılarak bağlanırsa, 12 adet iç ünite bağlanabilir.

\*3 Tüm iç üniteler P15 modeli olduğunda, 12 iç ünite bağlanabilir.

- Dağıtım Kutusu sistemi (Dağıtım kutusu üzerinden M, S, P serisi iç üniteler)

P112	2-8
P125	2-8
P140	2-8

- Karma sistem (Dağıtım kutusu üzerinden City Multi iç üniteler ve M, S, P serisi iç üniteler)

	Bir Dağıtım kutusu		İki Dağıtım kutusu	
	Dağıtım kutusu üzerinden	City Multi iç ünite	Dağıtım kutusu üzerinden	City Multi iç ünite
P112	Maks. 5	Maks. 5*1	Maks. 7 Maks. 8	Maks. 3*1 Maks. 2*1
P125	Maks. 5	Maks. 5*1	Maks. 8	Maks. 3*1
P140	Maks. 5	Maks. 5*1	Maks. 8	Maks. 3*1

\*1 PKFY-P-VBM, PFFY-P-VKM ve PFFY-P-VL\* tipi dahili birimler karışık bir sistemde kullanılamaz.

Tablo 3 PWFY ünitesi özellikleri

Model		PWFY-P100VM-E-AU
Isıtma sic. aralığı	Dış sıcaklık	-15 ila 21°C (Kuru Termometre), -15 ila 15°C (Yağ Termometre)
	Giriş Su sic.	10 ila 45°C
Soğutma sıcaklık aralığı	Dış sıcaklık	-
	Giriş Su sic.	-

SW1

ON (AÇIK)	1	2	3	4	5	6	7	8	9	10
	■									

SW4

ON (AÇIK)	1	2	3	4	5	6	7	8	9	10
	■	■			■					

Fig. 2-2



## 2. Montaj yeri

### 2.5. Silindir (EHST20C) ya da Hydrobox (EHSC) ünitesi montajı

İç ünite olarak bir Silindir ya da Hydrobox ünitesi takılırken, bu üniteler diğer iç ünitelerden farklı olduğundan aşağıdaki noktalara dikkat edin.

#### 2.5.1. Bağlantı kısıtlamaları

- Sadece 1 Silindir (EHST20C) ya da 1 Hydrobox (EHSC) ünitesi takılabilir. (EHST20C-MEC, EHST20D serisi, EHPT20X serisi, EHSD serisi, EHSC-MEC, ERSD serisi, ERSC serisi ve EHPX serisi bağlanamaz.)
- Ecodan sistemleri bağlanırken, PAC-MK32/52BC(B) dağıtım kutusu kullanılır. (PAC-MK31/51BC(B) dağıtım kutusu kullanılamaz.)
- PWFY üniteleri bir Silindir ya da Hydrobox ünitesi ile aynı anda takılamaz.
- Dış ünitelerin %50 ila %130 toplam nominal kapasitesine sahip ATA (Havadan havaya) iç üniteler\*1 ile 1 Silindir ya da 1 Hydrobox ünitesi takılabilir.
- \*1 ATA iç ünite: PWFY, Silindir ünitesi ve Hydrobox ünitesi hariç bir iç ünite.
  - PUMY-P112 1 Silindir ya da 1 Hydrobox + ATA iç ünite [maks 16,2 (1,3<sup>2</sup>) kW]
  - PUMY-P125 1 Silindir ya da 1 Hydrobox + ATA iç ünite [maks 18,2 (2,8<sup>2</sup>) kW]
  - PUMY-P140 1 Silindir ya da 1 Hydrobox + ATA iç ünite [maks 20,2 (4,3<sup>2</sup>) kW]
- \*2 Bir Silindir veya Hydrobox ünitesi heating (ısıtma) modunda / DHW modunda çalışıyor ve aynı zamanda ATA iç üniteler çalışıyor ise.
  - Ancak, aşağıdaki kombinasyonlar birbirlerine bağlanabilir.
    - PUMY-P112: MSZ-SF15VE x 1
    - PUMY-P125: MSZ-SF15VE x 2
    - PUMY-P140: MSZ-SF15VE x 3

#### 2.5.2. İç ünite özellikleri

Bir Silindir ya da Hydrobox ünitesi takıldığında, aşağıdaki özellikler değişecektir.

- Silindir ya da Hydrobox ünitesi soğutma modunda çalışamaz.
- Silindir ya da Hydrobox ünitesinin çalışma modu her zaman öncelikle sahiptir.
- DHW çalışması eko modu kullanılamaz.
- Maksimum akış sıcaklığı 55°C'dir. (Silindir ya da Hydrobox ünitesindeki Dip SW1-2 KAPALI konumda olmalıdır.)
- Enerji izleme, sadece harici güç ölçer bağlıyken kullanılabilir.
- Birden fazla dış ünite kontrol edilemez.
- Bir Silindir ya da Hydrobox ünitesi, bir M-NET uzaktan kumandasına ve bir merkezi denetleyiciye bağlanamaz.
- Kazan iç kilitlemesi sadece dış hava sıcaklığına geçişte kullanılabilir.
- Bir Silindir veya Hydrobox ünitesi ATA iç ünite ile gruplandırılmaz.
- Silindir ya da Hydrobox ünitesi Heating (Isıtma) modunda çalışıyor ve aynı zamanda ATA iç üniteler çalışıyor ise aşağıdaki noktalara dikkat edin.
  - Silindir veya Hydrobox ünitesi ısıtma akışı sıcaklık aralığı 45°C - 55°C'dir.
  - Lütfen akış sıcaklığını Silindir veya Hydrobox Kurulum Kılavuzuna bakarak ayarlayın.
  - Dış sıcaklık -10°C veya üzeri olmalıdır. Dış sıcaklık 7°C altında olduğunda hem akış sıcaklığı hem de üfleme sıcaklığı düşer.
- Silindir veya Hydrobox ünitesini DHW modunda çalıştırmak ve aynı zamanda ATA iç ünite çalıştırmak için dış hava sıcaklığının 7°C veya daha fazla olması gereklidir.
- Dış sıcaklık 7°C altında olduğunda bu üniteler aynı zamanda çalışmaz.

#### 2.5.3. Sviç ayarları

Bir Silindir ya da Hydrobox ünitesini bir PUMY ünitesine bağlarken, Silindir ya da Hydrobox ünitesindeki DIP sviç SW1-2'yi KAPALI konuma getirin.

#### 2.5.4. Test çalışması

Silindir ya da Hydrobox ünitesinin test çalışmasını iç ünitelerden gerçekleştirin.

(Test çalışması hakkında ayrıntılar için, Silindir ya da Hydrobox ünitesinin montaj elkitabına bakın.)

#### 2.5.5. Akışkan toplama (Pompa boşaltma)

7.3 içeriğindeki prosedürleri uygulayın.

### 2.6. Sadece soğutan iç ünitenin bağlanması

Bir sistem bir veya daha fazla sadece soğutmalı iç üniteleri içerirse, tüm sistemi soğutma sistemi olarak ayarlayın.

Üniteleri tablo 4'te belirtildiği gibi ayarlayın.

Tablo 4 Sadece soğutma ayarlama prosedürü

Ünite	Ayar
Dış ünite	PUMY-P-V/YKM(E)4
Dağıtım kutusu	PAC-MK-BC(B)
İç ünite	CITY MULTI Serisi
	M, S, P Serisi

### 2.7. PEFY-P-VMA3-E bağlama

Bir PEFY-P-VMA3-E kullanırken, bağlı iç üniteler için aşağıdaki kombinasyonları kullanın.

	PUMY-P112	PUMY-P125	PUMY-P140
Uygun	PEFY-P25VMA3-E x 2 + PEFY-P32VMA3-E x 2	PEFY-P32VMA3-E x 4	PEFY-P32VMA3-E x 3 + PEFY-P40VMA3-E x 1
Uygun Değil	Yukarıdaki kombinasyonlar hariç tüm kombinasyonlar Ör. 1: PEFY-P25VMA3-E x 2 + PEFY-P32VMA3-E x 2 Ör. 2: PEFY-P25VMA3-E x 2 + PEFY-P32VMA3-E x 1 Ör. 3: PEFY-P32VMA3-E x 4 (PUMY-P125 için bir kombinasyon) Ör. 4: PEFY-P25VMA3-E x 2 + PEFY-P32VMA3-E x 2 + MSZ-FH25VE x 1	Yukarıdaki kombinasyonlar hariç tüm kombinasyonlar Ör. 1: PEFY-P32VMA3-E x 3 + PEFY-P32VMA3-E x 1 Ör. 2: PEFY-P32VMA3-E x 3 Ör. 3: PEFY-P25VMA3-E x 2 + PEFY-P32VMA3-E x 2 (PUMY-P112 için bir kombinasyon) Ör. 4: PEFY-P32VMA3-E x 3 + PLFY-P20VFM-E x 1 + SEZ-KD25VA x 1	Yukarıdaki kombinasyonlar hariç tüm kombinasyonlar Ör. 1: PEFY-P32VMA3-E x 3 + PEFY-P40VMA3-E x 1 Ör. 2: PEFY-P32VMA3-E x 2 + PEFY-P40VMA3-E x 1 Ör. 3: PEFY-P32VMA3-E x 4 (PUMY-P125 için bir kombinasyon) Ör. 4: PEFY-P32VMA3-E x 3 + PCFY-P40VKM-E x 1 + MSZ-SF15VA x 1

- Ör. 1: VMA3 serisi haricinde bir tavana gömme ünite seçilmiştir. Farklı tavana gömme seriler içeren kombinasyonlar kullanılamaz.
- Ör. 2: Ünite sayısı yanlış.
- Ör. 3: Kombinasyon farklı kapasiteye sahip ünite için.
- Ör. 4: Bu kombinasyon "Uygun" bir kombinasyon değil.

### 2.8. PLFY-EP-VEM-E bağlama

PLFY-EP-VEM-E için, 2 üniteye kadar bağlanabilir.

Diğer iç üniteler\*1, toplam anma kapasitesi ve maksimum bağlanabilir ünite sayısı dahilinde bağlanabilir.

\*1 PEFY-P-VMA3-E ve PEFY-P-VMH-EF hariç.

## 2. Montaj yeri

### 2.9. Havalandırma ve bakım alanı

#### 2.9.1. Tek bir dış ünite monte ederken

Minimum ölçüler, Maksimum boyutlar anlamına gelen Max'te belirtilenler dışında, şöyledir.

Her durumda şemalara başvurun.

- ① Yalnızca arkadaki engeller (Fig. 2-3)
- ② Yalnızca arkadaki ve üstteki engeller (Fig. 2-4)
  - \* İsteğe bağlı hava çıkış kılavuzlarını yukarı yöndeki hava akışı için kullanmayın.
- ③ Yalnızca arkadaki ve yandaki engeller (Fig. 2-5)
- ④ Yalnızca öndeki engeller (Fig. 2-6)
  - \* İsteğe bağlı bir çıkış kılavuzu kullanırken boşluk 500 mm veya üzerinde olmalıdır.
- ⑤ Yalnızca öndeki ve arkadaki engeller (Fig. 2-7)
  - \* İsteğe bağlı bir çıkış kılavuzu kullanırken boşluk 500 mm veya üzerinde olmalıdır.
- ⑥ Yalnızca arkadaki, yandaki ve üstteki engeller (Fig. 2-8)
  - \* İsteğe bağlı hava çıkış kılavuzlarını yukarı yöndeki hava akışı için kullanmayın.

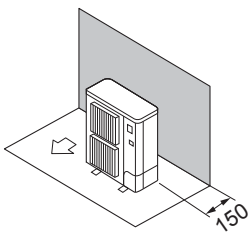


Fig. 2-3

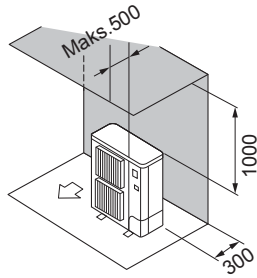


Fig. 2-4

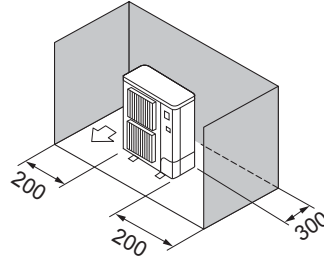


Fig. 2-5

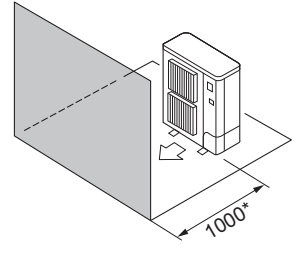


Fig. 2-6

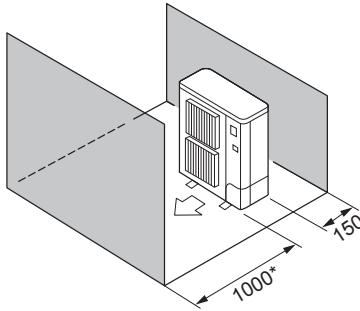


Fig. 2-7

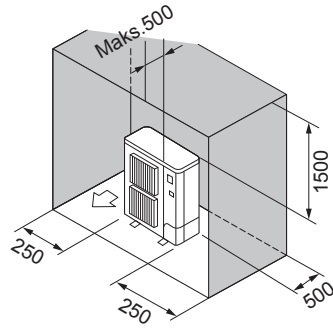


Fig. 2-8

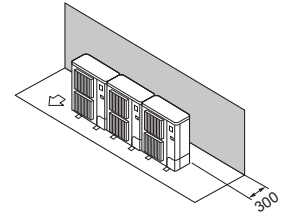


Fig. 2-9

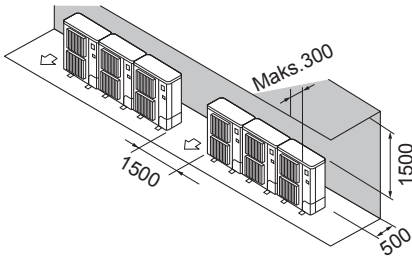


Fig. 2-10

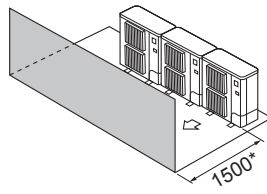


Fig. 2-11

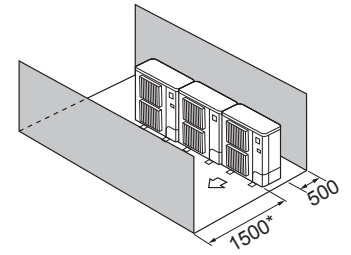


Fig. 2-12

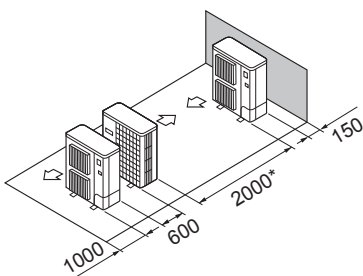


Fig. 2-13

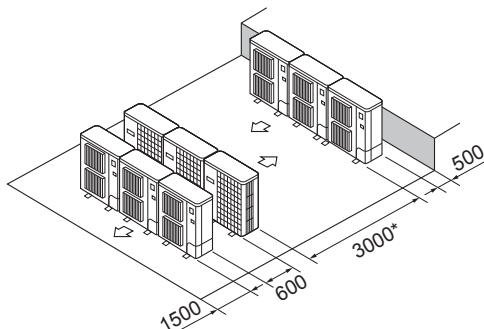


Fig. 2-14

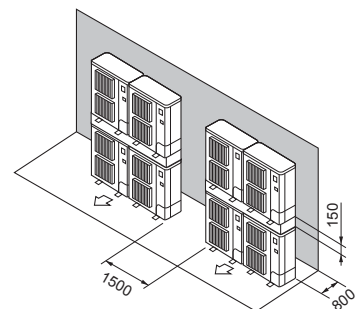


Fig. 2-15

#### 2.9.2. Birden fazla dış ünite monte ederken

Üniteler arasında 25 mm ve üzerinde bir boşluk bırakın.

- ① Yalnızca arkadaki engeller (Fig. 2-9)
- ② Yalnızca arkadaki ve üstteki engeller (Fig. 2-10)
  - \* Yan yana en fazla üç ünite yerleştirilmelidir. Ayrıca, aralarında gösterildiği şekilde boşluk bırakılmalıdır.
  - \* İsteğe bağlı hava çıkış kılavuzlarını yukarı yöndeki hava akışı için kullanmayın.
- ③ Yalnızca öndeki engeller (Fig. 2-11)
  - \* İsteğe bağlı bir çıkış kılavuzu kullanırken boşluk 1000 mm veya üzerinde olmalıdır.
- ④ Yalnızca öndeki ve arkadaki engeller (Fig. 2-12)
  - \* İsteğe bağlı bir çıkış kılavuzu kullanırken boşluk 1000 mm veya üzerinde olmalıdır.
- ⑤ Tekli paralel ünite düzeni (Fig. 2-13)
  - \* Yukarı yöndeki hava akışı için isteğe bağlı hava çıkış kılavuzu kullanırken, açıklık 1000 mm veya daha fazla olmalıdır.
- ⑥ Çoklu paralel ünite düzeni (Fig. 2-14)
  - \* Yukarı yöndeki hava akışı için isteğe bağlı hava çıkış kılavuzu kullanırken, açıklık 1500 mm veya daha fazla olmalıdır.
- ⑦ İstifli ünite düzeni (Fig. 2-15)
  - \* Üniteler üst üste en fazla iki üniteye kadar istiflenebilir.
  - \* Yan yana en fazla iki ünite istifli şekilde yerleştirilmelidir. Ayrıca, aralarında şekildedeki gibi boşluk bırakılmalıdır.

## 2. Montaj yeri

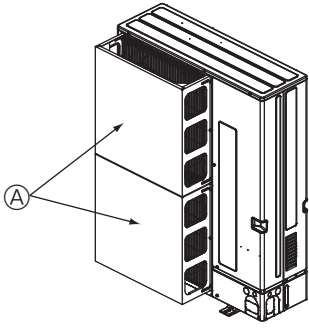


Fig. 2-16

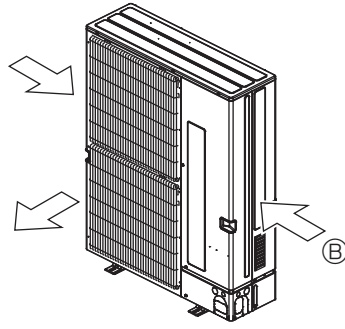


Fig. 2-17

### 2.9.3. Rüzgarlı yerlerde montaj

Dış üniteyi çatı üstüne veya rüzgara karşı korunaksız başka bir yere monte ederken, cihazı, hava çıkışı doğrudan rüzgara karşı gelmeyecek şekilde yerleştirin. Hava çıkışından girecek güçlü rüzgar normal hava akışını aksatabilir ve arızaya yol açabilir. Güçlü rüzgarlara karşı alınabilecek iki önlem şunlardır.

- ① Ünite, tayfun ve başka nedenlerden oluşan güçlü rüzgârların doğrudan hava çıkışına girebileceği bir yere monte edilmişse, isteğe bağlı olarak sağlanan bir hava kılavuzu monte edin. (Fig. 2-16)
- ② Cihazın konumunu, mümkünse, hava çıkışından gelen havanın, mevsimsel rüzgarlarının yönüne dik gelmesini sağlayacak şekilde seçin. (Fig. 2-17)

Ⓐ Hava kılavuzu

Ⓑ Rüzgarın yönü

## 3. Dış ünitenin monte edilmesi

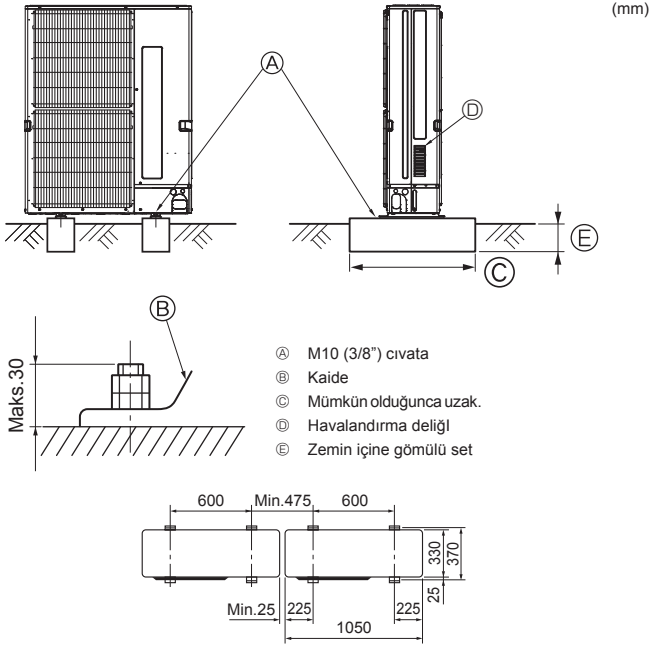


Fig. 3-1

- Ünitenin çalışması sırasında gürültü yapmaması için üniteyi mutlaka sağlam ve düz bir yüzeye monte edin. (Fig. 3-1)

<Temel spesifikasyonları>

Temel civatası	M10 (3/8")
Beton kalınlığı	120 mm
Cıvatanın uzunluğu	70 mm
Ağırlık çekme kapasitesi	320 kg

- Temel civatasının uzunluğunun kaidenin alt yüzeyine kadar 30 mm'den az olmasını sağlayın.
  - Ünitenin kaidesini dört adet M10 civatasıyla sağlam yerlere tespit edin.
- Dış ünitenin monte edilmesi**
- Havalandırma deliğini tıkamayın. Havalandırma deliğinin tıkanması, çalışmayı aksatacak ve arızaya yol açacaktır.
  - Gerekirse, cihazın tabanına ek olarak arkasında bulunan delikleri de kabloları tutturmak, vb. için kullanarak cihazı tespit edin. Kendinden dış açmalı vidalar (ø5 x 15 mm ya da daha az) kullanarak seçilen yere monte edin.

#### ⚠ Uyarı:

- Cihaz, ağırlığını taşıyabilecek bir yapı üzerine emniyetli şekilde monte edilmelidir. Cihaz dengesiz bir yapı üzerine monte edildiği takdirde, düşebilir ve hasara veya yaralanmalara yol açabilir.
- Deprem, fırtına veya şiddetli rüzgardan zarar görme riskini en aza indirmek için, cihaz talimatlara uygun olarak monte edilmelidir. Yanlış monte edilmiş bir cihaz düşebilir ve hasara veya yaralanmalara yol açabilir.

#### ⚠ Dikkat:

- Çalışırken çok fazla ses ya da titreşim yapmasını önlemek için üniteyi sabit bir yapı üzerine monte edin.

## 4. Soğutucu borularının monte edilmesi

### 4.1. R410A soğutucu kullanan cihazlarda alınacak önlemler

- R410A soğutucu klima cihazlarını kullanırken alınacak önlemlerden aşağıda belirtilmemiş olanlar için sayfa 223'ya başvurun.
- Geçmeli bölümlere uygulanacak soğutucu yağı olarak ester yağı, eter yağı, alkilbenzen yağı (az miktarda) kullanın.
- Soğutucu borularını bağlarken, bakır ve bakır alaşımı kaynaksız borular için C1220 bakır fosfor kullanın. Aşağıdaki tabloda belirtilmiş kalınlıkta soğutucu boruları kullanın. Boruların iç yüzeylerinin temiz ve kükürtlü bileşikler, oksidantlar, moloz veya toz gibi zararlı maddelerden arınmış olduğundan emin olun.

#### ⚠ Uyarı:

Klimanın montajını yaparken, yerini değiştirirken veya bakımını yaparken soğutucu hatlarını doldurmak için yalnızca belirtilen soğutucuyu (R410A) kullanın. Bu soğutucuyu diğer soğutucularla karıştırmayın ve hatlarda hava kalmamasını sağlayın.

Havanın soğutucuyla karışması, soğutucu hattında anormal bir basınç oluşmasına neden olabilir ve bu da patlamaya veya diğer tehlikelerin ortaya çıkmasına neden olabilir.

Sistem için belirtilenden farklı bir soğutucunun kullanılması mekanik arızaya, sistemin bozulmasına veya ünitenin arızalanmasına neden olabilir. Bu durum, en kötü ihtimalde ürün güvenliğinin sağlanması açısından bir engel ortaya çıkarabilir.

ø6,35, ø9,52, ø12,7	Kalınlık 0,8 mm
ø15,88	Kalınlık 1,0 mm

- Yukarıda belirtilenlerden daha ince boru kullanmayın.
- Yukarıdaki tabloda listelenen kalınlıklar Japon standartlarını temel almaktadır. Yerel standartlara göre maksimum 4,15 MPa [601 PSIG] veya üzerinde çalışma basıncı olan borular kullanın.

## 4. Soğutucu borularının monte edilmesi

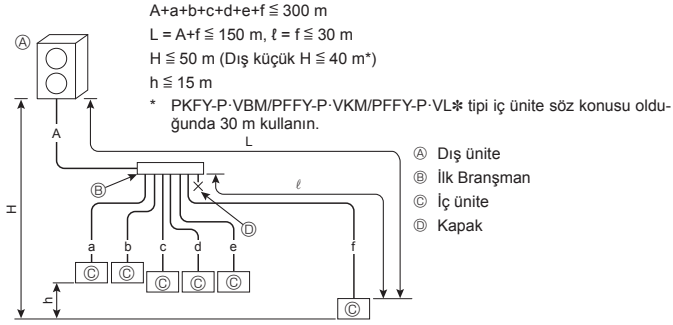
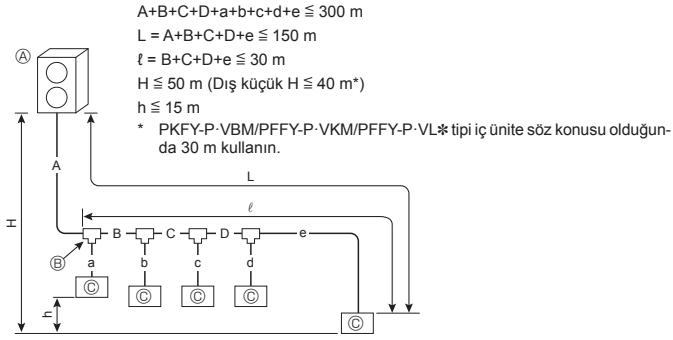


Fig. 4-1

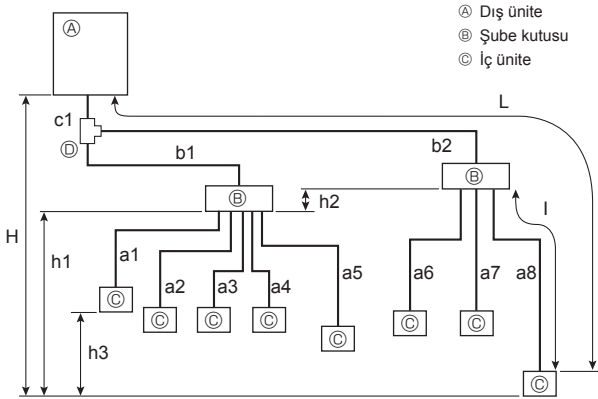


Fig. 4-2

İzin verilen uzunluk (tek yönlü)	Toplam boru uzunluğu	$c1 + b1 + b2 + a1 + a2 + a3 + a4 + a5 + a6 + a7 + a8 \leq 150$ m
	En büyük boru uzunluğu (L)	$c1 + b2 + a8 \leq 80$ m
	Dış ünite ile şube kutuları arasındaki boru uzunluğu	$c1 + b1 + b2 \leq 55$ m
	İlk birleşme yerinden en uzak dağıtım kutusu (b2)	$b2 \leq 30$ m
	Şube kutusundan sonra en büyük boru uzunluğu (l)	$a8 \leq 25$ m
	Şube kutuları ile iç üniteler arasındaki toplam boru uzunluğu	$a1 + a2 + a3 + a4 + a5 + a6 + a7 + a8 \leq 95$ m
İzin verilen yükseklik farklı (tek yönlü)	İç ünite/dış ünite bölümünde (H)*1	$H \leq 50$ m (Dış ünitenin iç ünitelerden yükseğe yerleştirilmesi halinde) $H \leq 40$ m (Dış ünitenin iç ünitelerden alçağa yerleştirilmesi halinde)
	Şube kutusu/iç ünite bölümünde (h1)	$h1 + h2 \leq 15$ m
	Her bir şube ünite (h2)	$h2 \leq 15$ m
	Her bir iç ünite (h3)	$h3 \leq 12$ m
Büküm adedi	$ c1 + b1 + a1 ,  c1 + b1 + a2 ,  c1 + b1 + a3 ,  c1 + b1 + a4 ,  c1 + b1 + a5 ,  c1 + b2 + a6 ,  c1 + b2 + a7 ,  c1 + b2 + a8  \leq 15$	

\*1 Şube kutusu dış ünite ile iç üniteler arasındaki seviye dahilinde yerleştirilmelidir.

### 4.2. Boru uzunluğu ve yükseklik farkı

#### 4.2.1. Dağıtım Kutusu olmadan bağlantı (Fig. 4-1)

A	(mm)	
	A Sıvı borusu	B Gaz borusu
PUMY-P112-140	ø9,52	ø15,88

B, C, D	(mm)	
C İç ünitelerin toplam kapasitesi	A Sıvı borusu	B Gaz borusu
	ø9,52	ø15,88

a, b, c, d, e, f	(mm)	
D Model numarası	A Sıvı borusu	B Gaz borusu
15, 20, 25, 32, 40, 50	ø6,35	ø12,7
63, 80, 100, 125, 140	ø9,52	ø15,88

E Branşman kiti modeli
CMY-Y62-G-E

F 4-Branşman kolektörü	G 8-Branşman kolektörü
CMY-Y64-G-E	CMY-Y68-G-E

\* BAĞLANTI KİTİ (PAC-LV11M-J) ve M serisi iç üniteyi bağlarken, boru boyut ve uzunluğunu seçmeden önce BAĞLANTI KİTİ kurulum kılavuzuna bakınız.

#### 4.2.2. Dağıtım Kutulu Bağlantı (Fig. 4-2)

- Bu ünite, her bir iç ünite, şube kutusu ve dış ünitenin yan tarafında geçme bağlantılarına sahiptir.
- Dış ünitenin vana kapağını çıkartıp boruyu bağlayın.
- Şube kutusu ile dış üniteyi bağlamak için soğutucu boruları kullanılır.

## 4. Soğutucu borularının monte edilmesi

### 4.2.3. Karma sistem (Dağıtım kutusu üzerinden City Multi iç üniteler ve M, S, P serisi iç üniteler) (Fig. 4-3)

#### 1. 1 Dağıtım kutusu kullanılması durumunda

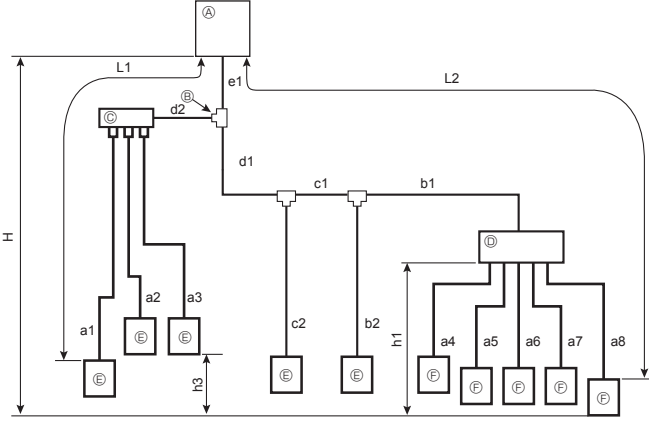


Fig. 4-3 (a)

- Ⓐ Dış Ünite
- Ⓑ İlk birleşme yeri
- Ⓒ Dağıtım kolektörü (CMY)
- Ⓓ Dağıtım kutusu (PAC-MK-BC(B))
- Ⓔ CityMulti İç ünite\*
- Ⓕ M, S, P serisi İç ünite, Silindir ünitesi veya Hydrobox ünitesi
- \* PKFY-P-VBM, PFFY-P-VKM ve PFFY-P-VL\* tipi dahili birimler karışık bir sistemde kullanılamaz.

İzin verilen uzunluk (tek yönlü)	Toplam boru uzunluğu	$e1 + d1 + d2 + c1 + c2 + b1 + b2 + a1 + a2 + a3 + a4 + a5 + a6 + a7 + a8 \leq 300 \text{ m} *3$
	En büyük boru uzunluğu (L1)	$e1 + d2 + a1 \text{ veya } e1 + d1 + c1 + b2 \leq 85 \text{ m}$
	En büyük boru uzunluğu. Dağıtım kutusu üzerinden (L2)	$e1 + d1 + c1 + b1 + a8 \leq 80 \text{ m}$
	Dış ünite ile dağıtım kutusu arasındaki boru uzunluğu	$e1 + d1 + c1 + b1 \leq 55 \text{ m}$
	İlk birleşme yerinden en uzak boru uzunluğu	$d1 + c1 + b1, d1 + c1 + b2, d1 + c2 \text{ veya } d2 + c1 \leq 30 \text{ m}$
	Dağıtım kutusundan sonra en büyük boru uzunluğu	$a8 \leq 25 \text{ m}$
İzin verilen yükseklik farkı (tek yönlü)	Dağıtım kutularını ve iç üniteleri arasındaki toplam boru uzunluğu	$a4 + a5 + a6 + a7 + a8 \leq 95 \text{ m}$
	İç ünite/dış ünite bölümünde (H) *2	$H \leq 50 \text{ m}$ (Dış ünitenin iç ünitelerden yükseğe yerleştirilmesi halinde) $H \leq 40 \text{ m}$ (Dış ünitenin iç ünitelerden alçağa yerleştirilmesi halinde)
	Dağıtım kutusu/iç ünite bölümünde (h1)	$h1 \leq 15 \text{ m}$
Büküm sayısı	Her bir iç ünite (h3)	$h3 \leq 12 \text{ m}$
		$ e1 + d2 + a1 ,  e1 + d2 + a2 ,  e1 + d2 + a3 ,  e1 + d1 + c2 ,  e1 + d1 + c1 + b2 ,  e1 + d1 + c1 + b1 + a4 ,  e1 + d1 + c1 + b1 + a5 ,  e1 + d1 + c1 + b1 + a6 ,  e1 + d1 + c1 + b1 + a7 ,  e1 + d1 + c1 + b1 + a8  \leq 15$

\*2: Dağıtım kutusu dış ünite ve iç üniteler arasındaki seviyeye yerleştirilmelidir.

\*3: Bir Silindir ünitesi veya Hydrobox ünitesi bağlandığında, maksimum boru uzunluğu 150 m'dir.

#### 2. 2 Dağıtım kutusu kullanılması durumunda

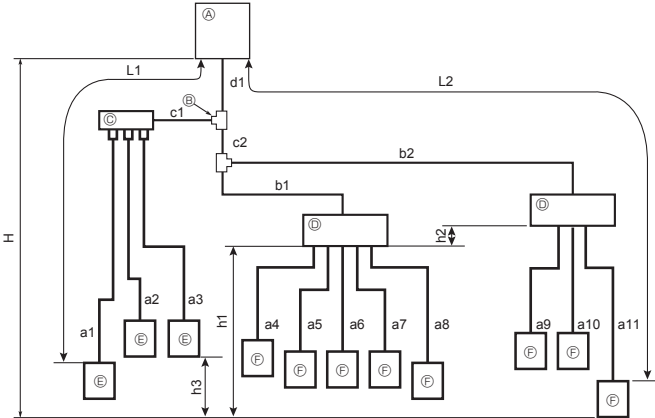


Fig. 4-3 (b)

- Ⓐ Dış Ünite
- Ⓑ İlk birleşme yeri
- Ⓒ Dağıtım kolektörü (CMY)
- Ⓓ Dağıtım kutusu (PAC-MK-BC(B))
- Ⓔ CityMulti İç ünite\*
- Ⓕ M, S, P serisi İç ünite, Silindir ünitesi veya Hydrobox ünitesi
- \* PKFY-P-VBM, PFFY-P-VKM ve PFFY-P-VL\* tipi dahili birimler karışık bir sistemde kullanılamaz.

İzin verilen uzunluk (tek yönlü)	Toplam boru uzunluğu	$d1 + c1 + c2 + b1 + b2 + a1 + a2 + a3 + a4 + a5 + a6 + a7 + a8 + a9 + a10 + a11 \leq 240 \text{ m} *3$
	En büyük boru uzunluğu (L1)	$d1 + c1 + a1 \leq 85 \text{ m}$
	En büyük boru uzunluğu. Dağıtım kutusu üzerinden (L2)	$d1 + c2 + b2 + a11 \leq 80 \text{ m}$
	Dış ünite ile dağıtım kutusu arasındaki boru uzunluğu	$d1 + c2 + b1 + b2 \leq 55 \text{ m}$
	İlk birleşme yerinden en uzak boru uzunluğu	$c2 + b2 \text{ veya } c1 + a1 \leq 30 \text{ m}$
	Dağıtım kutusundan sonra en büyük boru uzunluğu	$a11 \leq 25 \text{ m}$
	Dış ünitelerden en uzak dağıtım kutusu	$d1 + c2 + b2 \leq 55 \text{ m}$
	Dağıtım kutularını ve iç üniteleri arasındaki toplam boru uzunluğu	$a4 + a5 + a6 + a7 + a8 + a9 + a10 + a11 \leq 95 \text{ m}$
İzin verilen yükseklik farkı (tek yönlü)	İç ünite/dış ünite bölümünde (H) *2	$H \leq 50 \text{ m}$ (Dış ünitenin iç ünitelerden yükseğe yerleştirilmesi halinde) $H \leq 40 \text{ m}$ (Dış ünitenin iç ünitelerden alçağa yerleştirilmesi halinde)
	Dağıtım kutusu/iç ünite bölümünde (h1+h2)	$h1 + h2 \leq 15 \text{ m}$
	Her bir dağıtım ünitesinde (h1)	$h2 \leq 15 \text{ m}$
	Her bir iç ünite (h3)	$h3 \leq 12 \text{ m}$
Büküm sayısı		$ d1 + c1 + a1 ,  d1 + c1 + a2 ,  d1 + c1 + a3 ,  d1 + c2 + b1 + a4 ,  d1 + c2 + b1 + a5 ,  d1 + c2 + b1 + a6 ,  d1 + c2 + b1 + a7 ,  d1 + c2 + b1 + a8 ,  d1 + c2 + b2 + a9 ,  d1 + c2 + b2 + a10 ,  d1 + c2 + b2 + a11  \leq 15$

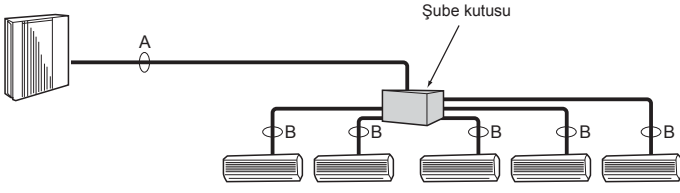
\*2: Dağıtım kutusu dış ünite ve iç üniteler arasındaki seviyeye yerleştirilmelidir.

\*3: Bir Silindir ünitesi veya Hydrobox ünitesi bağlandığında, maksimum boru uzunluğu 150 m'dir.

## 4. Soğutucu borularının monte edilmesi

### ■ 1 şube kutusunun kullanıldığı hallerde

Kullanılan geçme bağlantı. (Lehim yoktur)



### ■ 2 şube kutusunun kullanıldığı hallerde

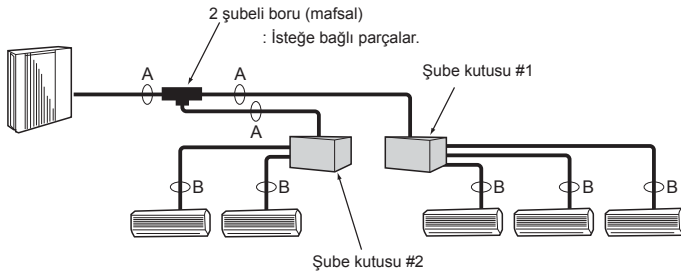


Fig. 4-4

(1) Dış ünite için vana boyutu

Sıvı için	ø9,52 mm
Gaz için	ø15,88 mm

(2) Şube kutusu için vana boyutu

ÜNİTE	Sıvı borusu	Gaz borusu
Ⓐ ÜNİTE	ø6,35 mm	ø9,52 mm
Ⓑ ÜNİTE	ø6,35 mm	ø9,52 mm
Ⓒ ÜNİTE	ø6,35 mm	ø9,52 mm
Ⓓ ÜNİTE	ø6,35 mm	ø9,52 mm
Ⓔ ÜNİTE	ø6,35 mm	ø12,7 mm

\* 3 şubeli tip : Sadece Ⓐ, Ⓑ, Ⓒ ünitesi

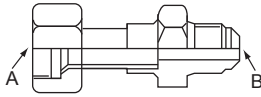


Fig. 4-5

Dönüştürme formülü

1/4 F	ø6,35
3/8 F	ø9,52
1/2 F	ø12,7
5/8 F	ø15,88
3/4 F	ø19,05

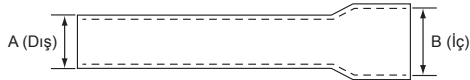


Fig. 4-6

## 4.3. Boru boyutunun seçilmesi

### 4.3.1. Dağıtım Kutusu olmadan bağlantı

		İç ünite		Dış ünite
		15-50	63-140	112-140
Gaz tarafı	Boru büyüklüğü (mm)	ø12,7	ø15,88	ø15,88
Sıvı tarafı	Boru büyüklüğü (mm)	ø6,35	ø9,52	ø9,52

### 4.3.2. Dağıtım Kutulu Bağlantı (Fig. 4-4)

		A	B
Sıvı (mm)	ø9,52	Boru bağlantı boyutu iç ünitenin tipi ve kapasitesine göre değişmektedir. Şube kutusunun boru bağlantı boyutunu iç üniteyle eşleştirin.	Şube kutusunun boru bağlantı boyutu iç ünitenin boru bağlantı boyutuyla eşleşmezse şube kutusu tarafında isteğe bağlı farklı çapta (deforme) mafsal kullanın. (Deforme mafsalı doğrudan şube kutusu tarafına bağlayın.)
Gaz (mm)	ø15,88		

### Farklı çapta mafsal (isteğe bağlı parçalar) (Fig. 4-5)

Model adı	Bağlı boruların çapı	A Çapı	B Çapı
	mm	mm	mm
MAC-A454JP	ø9,52 → ø12,7	ø9,52	ø12,7
MAC-A455JP	ø12,7 → ø9,52	ø12,7	ø9,52
MAC-A456JP	ø12,7 → ø15,88	ø12,7	ø15,88
PAC-493PI	ø6,35 → ø9,52	ø6,35	ø9,52
PAC-SG76RJ-E	ø9,52 → ø15,88	ø9,52	ø15,88

### Farklı çapta mafsal (isteğe bağlı parçalar) (Fig. 4-6)

Model adı	Bağlı boruların çapı	Dış çap A	İç Çap B
	mm	mm	mm
PAC-SG78RJB-E	ø9,52 → ø12,7	ø9,52	ø12,7
PAC-SG79RJB-E	ø12,7 → ø9,52	ø12,7	ø9,52
PAC-SG80RJB-E	ø12,7 → ø15,88	ø12,7	ø15,88
PAC-SG77RJB-E	ø6,35 → ø9,52	ø6,35	ø9,52
PAC-SG76RJB-E	ø9,52 → ø15,88	ø9,52	ø15,88

### Boru tesisatının hazırlanması

① Aşağıdaki tabloda piyasadan edinebileceğiniz boruların özellikleri yer almaktadır.

Dış çap	Yalıtım kalınlığı	Yalıtım malzemesi
6,35	8	0,045 özgül ağırlığında ısıya dirençli köpük plastik
9,52	8	
12,7	8	
15,88	8	

② Yoğuşmayı önlemek için 2 soğutucu borusunun yalıtıldığından emin olun.

③ Soğutucu borusu bükme yarıçapı 100 mm veya üzerinde olmalıdır.

### ⚠ Dikkat:

Belirtilen kalınlıkta yalıtım kullandığınızdan emin olun. Kalınlığın fazla olması, iç ünite ve şube kutusunun yanlık monte edilmesine az olması ise çığ damlamasına neden olabilir.

2 şubeli boru (Mafsal) : İsteğe bağlı parçalar (Bağlantı yöntemine göre beğendiğinizi seçebilirsiniz.)

Model adı	Bağlantı yöntemi
MSDD-50AR-E	geçme
MSDD-50BR-E	lehim

### ■ Montaj prosedürü (2 şubeli boru (Mafsal))

MSDD-50AR-E ve MSDD-50BR-E montaj kılavuzlarına başvurun.

### ■ Boru boyutu (Dış ünite-Şube kutusu)

	A Sıvı borusu	B Gaz borusu
PUMY-P112-140	ø9,52	ø15,88

### ■ Boru boyutu (Şube kutusu-İç ünite) M serisi ve S serisi İç ünite örneği \*1

İç ünite serisi	Model numarası	A Sıvı borusu	B Gaz borusu
M serisi veya S serisi	15-42	ø6,35	ø9,52
	50	ø6,35	ø12,7
	60	ø6,35	ø15,88
	71-80	ø9,52	ø15,88
P serisi	35, 50 *2	ø6,35	ø12,7
	60-100	ø9,52	ø15,88
Silindir ünitesi	-	ø9,52	ø15,88
Hydrobox ünitesi	-	ø9,52	ø15,88

\*1 Bağlanabilir iç ünitenin yerleşimi mahalle/bölge/ülkelere göre değişmektedir.

\*2 P serisi 35, 50 tipi iç ünite kullanırken, iç üniteye takılı olan geçme somununu kullanın.

Geçme somununu kullanmayın iç ünite aksesuarları içindeki. Kullanılması halinde, gaz kaçağı meydana gelebilir veya boru yerinden çıkabilir.

## 4. Soğutucu borularının monte edilmesi

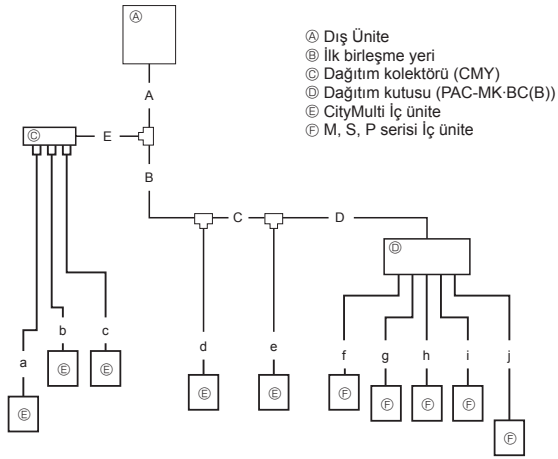


Fig. 4-7

### 4.3.3. Karma sistem

(Dağıtım kutusu üzerinden City Multi iç üniteler ve M, S, P serisi iç üniteler) (Fig. 4-7)

#### Boru boyutu

A, B, C, D, E

	A Sıvı borusu	B Gaz borusu
PUMY-P112-140	ø9,52	ø15,88

a, b, c~j

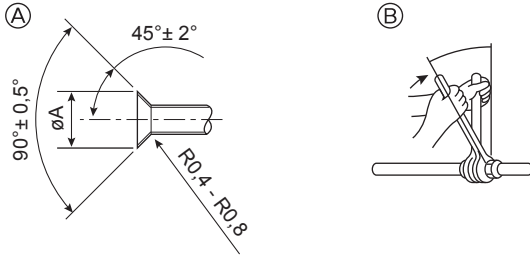
İç ünite serisi	Model numarası	A Sıvı borusu	B Gaz borusu
CityMulti	15~50	ø6,35	ø12,7
	63~140	ø9,52	ø15,88
M serisi veya S serisi	15~42	ø6,35	ø9,52
	50	ø6,35	ø12,7
	60	ø6,35	ø15,88
	71~80	ø9,52	ø15,88
P serisi	35, 50 *1	ø6,35	ø12,7
	60~100	ø9,52	ø15,88
Silindirik ünitesi	-	ø9,52	ø15,88
Hydrobox ünitesi	-	ø9,52	ø15,88

2 branşmanlı birleşme yeri	CMY-Y62-G-E
4 branşmanlı kolektör	CMY-Y64-G-E
8 branşmanlı kolektör	CMY-Y68-G-E

\*1 P serisi 35, 50 tipi iç ünite kullanırken, iç üniteye takılı olan geçme somununu kullanın.

Geçme somununu kullanmayın iç ünite aksesuarları içindeki. Kullanılması halinde, gaz kaçağı meydana gelebilir veya boru yerinden çıkabilir.

## 4. Soğutucu borularının monte edilmesi



- Ⓐ Geçme kesim ölçüleri  
Ⓑ Geçme somun sıkıştırma torqu

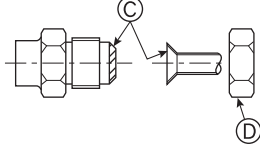


Fig. 4-8

Ⓐ (Fig. 4-8)

Bakır boru O.D. (mm)	Geçme boyutları øA boyutları (mm)
ø6,35	8,7 - 9,1
ø9,52	12,8 - 13,2
ø12,7	16,2 - 16,6
ø15,88	19,3 - 19,7

Ⓑ (Fig. 4-8)

Bakır boru O.D. (mm)	Geçme somun O.D. (mm)	Sıkıştırma torqu (N·m)
ø6,35	17	14 - 18
ø6,35	22	34 - 42
ø9,52	22	34 - 42
ø12,7	26	49 - 61
ø12,7	29	68 - 82
ø15,88	29	68 - 82
ø15,88	36	100 - 120

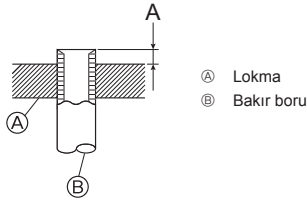
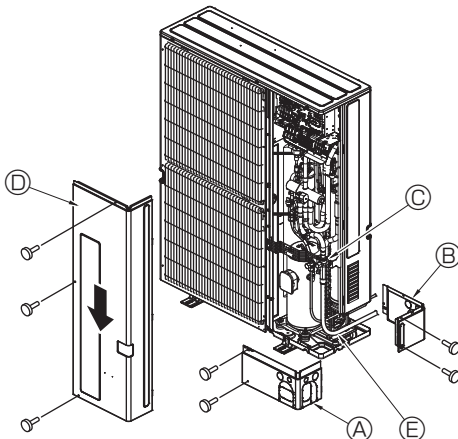


Fig. 4-9



- Ⓐ Ön boru kapağı  
Ⓑ Boru kapağı  
Ⓒ Stop valfi  
Ⓓ Bakım paneli  
Ⓔ Şerit yarı çapı: 100 mm - 150 mm

Fig. 4-10

### 4.4. Boruların bağlanması (Fig. 4-8)

- Soğutucu borudan su damlamasını engellemek için yeterli yoğunlaşma önleyici çalışma ve izolasyon çalışması yürütün. (sıvı borusu/gaz borusu)
- Soğutucu borunun takıldığı yerde ortama göre izolasyonu artırın, aksi takdirde izolasyon maddesinin yüzeyinde yoğunlaşma meydana gelebilir. (İzolasyon malzemesi ısıya karşı dayanıklılık sıcaklığı: 120°C, Kalınlık: 15 mm veya daha fazla)  
\* Soğutucu borular, tavan arası gibi yüksek sıcaklık ve neme maruz kalacağı yerlerde kullanıldığında ek izolasyon uygulamasına gerek duyulabilir.
- Soğutucu boruyu izole ederken, tüm boşlukları dolduran izolasyon maddesi arasındaki ağın yanı sıra, iç ünite ve izolasyon maddesinin arasına da ısı dirençli polietilen köpük uygulayın. (Borularda yoğunlaşmanın meydana gelmesi, odada yoğunlaşma ya da borulara dokunulduğunda yanma gibi sonuçlar verebilir.)
- Drenaj borusunun bina içindeki aksamı polietilen köpük yalıtım malzemeleriyle sarımalıdır (özgül ağırlığı 0,03 olmalı, kalınlığı en az 9 mm olmalıdır).
- Geçme somunu sıkımadan önce boru ve conta bağlantı yüzeylerine ince bir tabaka halinde soğutucu yağı uygulayınız. Ⓐ
- Boru bağlantılarını iki somun anahtarlarıyla sıkınız. Ⓑ
- Boru bağlantılarının yapılmasından sonra, bir kaçak dedektörü veya biraz sabunlu suyla gaz kaçağı olup olmadığını muayene ediniz.
- Bütün geçme yatağı yüzeyine soğutucu makine yağı sürün. Ⓒ
- Aşağıdaki boru büyüklüklerine uygun geçme somun kullanın. Ⓓ
- Boruları bükerken kırmamaya dikkat edin. 100 mm ile 150 mm arasındaki bükme çapları yeterlidir.
- Boruların kompresöre değmemesine özen gösterin. Aksi takdirde anormal gürültü veya titreşim meydana gelebilir.

① Borular iç üniteden başlayarak döşenmelidir.

Geçme somunlar tork anahtarı ile sıkılmalıdır.

② Sıvı borularını ve gaz borularını geçirin ve ince bir tabaka halinde soğutma yağı sürün (Yerinde uygulanır).

• Normal boru contası kullanıldığında, R410A soğutma borularının geçme işlemleri için Tablo 3'e başvurun.

A ölçülerini doğrulamak için ebat ayarlama geyçi kullanılabilir.

⚠ Uyarı:

Ünitenin montajını yaparken, kompresörü çalıştırmadan önce soğutucu borularını sağlam şekilde bağlayın.

\* BAĞLAMA KİTİNİ (PAC-LV11M-J) bağlarken, BAĞLAMA KİTİ kullanma kılavuzuna bakınız.

Tablo 3 (Fig. 4-9)

Bakır boru O.D. (mm)	A (mm)	
	R410A için geçme aleti	R22-R407C için geçme aleti
ø6,35	0 - 0,5	1,0 - 1,5
ø9,52	0 - 0,5	1,0 - 1,5
ø12,7	0 - 0,5	1,0 - 1,5
ø15,88	0 - 0,5	1,0 - 1,5
ø19,05	0 - 0,5	1,0 - 1,5

### 4.5. Soğutucu boruları (Fig. 4-10)

Bakım panelini Ⓓ (üç vida) ve ön boru kapağını Ⓐ (iki vida) ve arka boru kapağını Ⓑ (iki vida) çıkarın.

① Dış ünitenin stop valfi tamamen kapandığında iç/dış ünite için soğutucu borusu bağlantılarını yapın.

② İç ünite ve bağlantı borusundaki havayı vakumla boşaltın.

③ Soğutucu borularını bağladıktan sonra, döşenmiş boruları ve iç üniteyi gaz kaçağına karşı kontrol edin. (4.6. Soğutucu borusu hava sızdırmazlığı test yöntemi.)

④ Sıvı ve gaz kesme vanalarının servis deliği vasıtasıyla soğutucu hatlarını vakumlayın. Sonra kesme vanalarını tamamen açın (sıvı ve gaz kesme vanaları). Böylece iç ve dış ünitelerin soğutucu hatları bağlanmış olur.

• Kesme vanaları kapalı bırakılır ve cihaz çalıştırılırsa, kompresör ve çek valf zarar görür.

• Dış ünitenin boru bağlantı yerlerinde kaçak dedektörü veya sabunlu su kullanarak gaz kaçağı kontrolü yapın.

• Soğutucu hatlarındaki havayı boşaltmak için cihazdan gelen soğutucuyu kullanmayın.

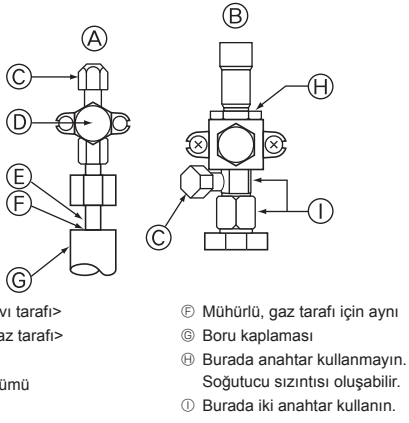
• Vana işlemi tamamlandıktan sonra, vana kapaklarını sıkarak torqu düzeltin: 20 ila 25 N·m (200 ila 250 kgf·cm) arası.

Kapakların yerine konmaması veya sıkıştırılmaması durumunda soğutucu kaçağı meydana gelebilir. Ayrıca, soğutucu kaçağına karşı conta görevi gördüklerinden, vana kapaklarının iç taraflarına zarar vermemeye dikkat edin.

⑤ Isı izolasyonuna su girmesini önlemek için, boru bağlantı yerlerinin etrafındaki ısı izolasyonunun uçlarını dolgu macunu ile sızdırmaz hale getirin.



## 4. Soğutucu borularının monte edilmesi



- Ⓐ Kapama vanası <Sıvı tarafı>  
 Ⓑ Kapama vanası <Gaz tarafı>  
 Ⓒ Servis ağız  
 Ⓓ Açma / Kapama bölümü  
 Ⓔ İç boru
- Ⓕ Mühürlü, gaz tarafı için aynı  
 Ⓖ Boru kaplaması  
 Ⓗ Burada anahtar kullanmayın. Soğutucu sızıntısı oluşabilir.  
 Ⓘ Burada iki anahtar kullanın.

Fig. 4-11

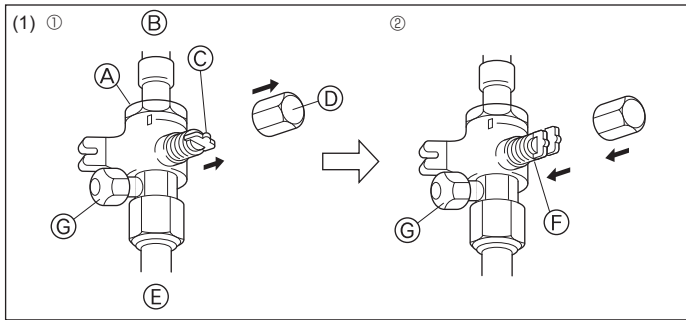


Fig. 4-12

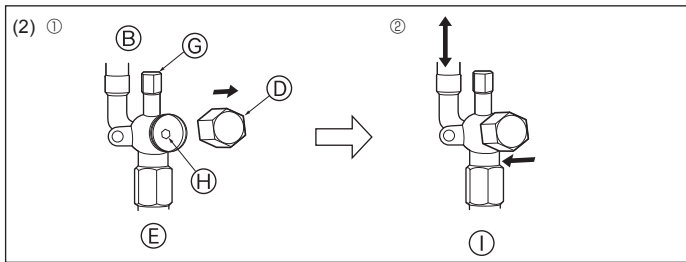
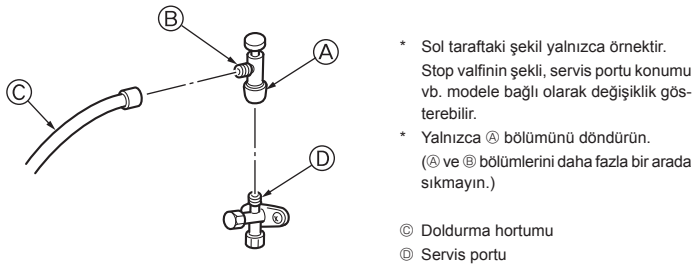


Fig. 4-13



- \* Sol taraftaki şekil yalnızca örnektir. Stop valfinin şekli, servis portu konumu vb. modele bağlı olarak değişiklik gösterebilir.  
 \* Yalnızca Ⓐ bölümünü döndürün. (Ⓓ ve Ⓔ bölümlerini daha fazla bir arada sıkmayın.)

- Ⓒ Doldurma hortumu  
 Ⓓ Servis portu

Fig. 4-14

### 4.6. Soğutucu borusu hava sızdırmazlığı test yöntemi

(1) Test araçlarını bağlayın.

- Ⓐ Ⓑ kapama vanalarının kapalı olduğundan emin olun ve açmayın.
- Sıvı kesme vanasının Ⓐ ve gaz kesme vanasının Ⓑ servis deliği Ⓒ vasıtasıyla soğutucu hatlarına basınç uygulayın.

(2) Belirtilen değerde basıncı birden eklemeyin, azar azar verin.

- ① 0,5 Mpa'a (5 kgf/cm<sup>2</sup>G) kadar basınç verin, beş dakika bekleyin ve basıncın düşmediğinden emin olun.
- ② 1,5 Mpa'a (15 kgf/cm<sup>2</sup>G) kadar basınç verin, beş dakika bekleyin ve basıncın düşmediğinden emin olun.
- ③ 4,15 Mpa'a (41,5 kgf/cm<sup>2</sup>G) kadar basınç verin ve çevre sıcaklığını ve soğutucu basıncını ölçün.

(3) Belirtilen değerdeki basınç bir gün süreyle sabit kalır ve düşmezse, borular testi geçmiş ve kaçak yok demektir.

- Çevre sıcaklığı 1°C değişirse, basınç yaklaşık 0,01 MPa (0,1 kgf/cm<sup>2</sup>G) değişir. Gerekli düzeltmeleri yapın.

(4) Basınç (2) ve (3) adımda düşerse, gaz kaçağı var demektir. Gaz kaçağının kaynağını araştırın.

### 4.7. Kapama vanasını açma yöntemi

(1) Gaz tarafı (Fig. 4-12)

- ① Kapağı çıkarın, kolu kendinize doğru çekip saat yönünün tersine 1/4 devir çevirerek açın.
- ② Stop valfinin tamamen açık olduğundan emin olun, kolu içeri itin ve başlığı çevirerek tekrar ilk konumuna getirin.

(2) Sıvı tarafı (Fig. 4-13)

- ① Başlığı çıkarın ve 4 mm'lik bir altıgen somun anahtarıyla vana çubuğunu gidebileceği yere kadar saat yönünün tersine döndürün. Tampona dayanınca döndürmeye son verin.

(Ø6,35: Yaklaşık 4,5 devir) (Ø9,52: Yaklaşık 10 devir)

- ② Stop valfinin tamamen açık olduğundan emin olun, kolu içeri itin ve başlığı çevirerek tekrar ilk konumuna getirin.

- Ⓐ Vana  
 Ⓑ Ünite tarafı  
 Ⓒ Kol  
 Ⓓ Kapak  
 Ⓔ İç boru tarafı
- Ⓕ Açık konum tarafı  
 Ⓖ Servis ağız  
 Ⓗ Anahtar boşluğu  
 Ⓘ Soğutucu akış yönü

Soğutucu boruları koruyucu bir şekilde sarılmıştır.

- Borular, bağlanmadan önce veya bağlandıktan sonra koruma amacıyla Ø90'lık bir çapa ulaşacak şekilde sarılabilirler. Boru kaplamasındaki parçayı yarıktan itibaren kesip atın ve boruları sarın.

Boru giriş boşluğu

- Boru girişindeki boruların etrafını macunla veya sızdırmaz madde ile hiç boşluk kalmayacak şekilde kapatın.

(Boşluklar kapatılmadığı takdirde, gürültü yayılır veya cihaza toz veya su girerek bozulmasına neden olabilir.)

### Doldurma valfi kullanılırken alınması gereken önlemler (Fig. 4-14)

Servis portunu takarken çok fazla sıkmayın aksi takdirde, valf gövdesi deforme olabilir, gevşeyebilir ve gaz sızıntısına neden olur.

Ⓑ bölümünü belirtilen yönde konumlandırdıktan sonra yalnızca Ⓐ bölümünü döndürün ve sıkın.

Ⓐ bölümünü sıkıttıktan sonra Ⓐ ve Ⓑ bölümünü bir arada daha fazla sıkmayın.

## 4. Soğutucu borularının monte edilmesi

### 4.8. İlave soğutucu doldurma

#### İlave soğutucu doldurma

Dış ünite fabrikadan gönderildiğinde, uzatılmış boru için soğutucu, dış üniteye dahil değildir. Bu nedenle, kurulum alanında her soğutucu boru sistemini ek soğutucuyla doldurun. Ayrıca, bakımını yapmak için dış ünite üzerindeki "Soğutucu oranı" plakasındaki boşluklara, her sıvı borusunun çap ve uzunluğu ile ek soğutucu dolm miktarını girin.

#### İlave Soğutucu Doldurma Hesaplaması

- Sıvı borusu çapını ve uzatılmış borunun uzunluğunu kullanarak ek dolm miktarını hesaplayın.
- Hesaplamalarda, Silindir ya da Hydrobox ünitesinin kapasitesi için 11,2 kW kullanın.
- Sağ tarafta gösterilen prosedürü uygulayarak ek soğutucu dolm miktarını hesaplayın ve ek soğutucuyla doldurun.
- 0,1 kg'dan az miktarlar için, hesaplanmış ek soğutucu dolm miktarını yuvarlayın. (Örneğin, hesaplanmış dolm miktarı 6,01 kg ise, dolm miktarını 6,1 kg'a yuvarlayın.)

<İlave Doldurma>

#### Soğutucu dolm miktarının hesaplanması

Boru çapı Sıvı borusu	Boru çapı Sıvı borusu	Bağlı iç ünitelerin toplam kapasitesi	İç üniteler için miktar
ø6,35	ø9,52	~ 8,0 kW	1,5 kg
(m) × 19,0 (g/m)	(m) × 50,0 (g/m)	8,1 ~ 16,0 kW	2,5 kg
		16,1 kW ~	3,0 kg

#### Fabrikadan gönderildiğinde dahil edilen soğutucu miktarı

Dahil edilen soğutucu miktarı
4,8 kg

<Örnek>

Dış model : P125	A : ø9,52 30 m	} Aşağıdaki koşullarda:
İç 1 : P63 (7,1 kW)	a : ø9,52 15 m	
2 : P40 (4,5 kW)	b : ø6,35 10 m	
3 : P25 (2,8 kW)	c : ø6,35 10 m	
4 : P20 (2,2 kW)	d : ø6,35 20 m	

Her bir sıvı hattının toplam uzunluğu aşağıdaki gibidir:

$$\text{ø9,52 : } A + a = 30 + 15 = 45 \text{ m}$$

$$\text{ø6,35 : } b + c + d = 10 + 10 + 20 = 40 \text{ m}$$

Bağlı iç ünitenin toplam kapasitesi aşağıdadır:

$$7,1 + 4,5 + 2,8 + 2,2 = 16,6$$

<Hesaplama örneği>

İlave soğutucu miktarı

$$40 \times \frac{19,0}{1000} + 45 \times \frac{50,0}{1000} + 3,0 = 6,1 \text{ kg (yuvarlanmış)}$$

## 5. Drenaj Tesisatı İşleri

#### Dış ünite drenaj borusu bağlantısı

Drenaj borusu gerekli olduğu zaman, drenaj soketini veya drenaj çanağını (isteğe bağlı aksam) kullanın.

	P112-140
Drenaj soketi	PAC-SG61DS-E
Drenaj çanağı	PAC-SH97DP-E

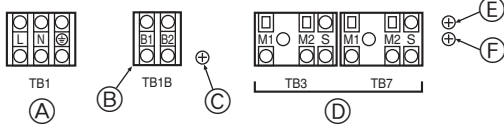
## 6. Elektrik İşleri

### 6.1. Dikkat

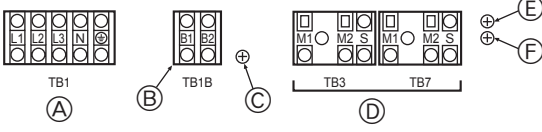
- Elektriksel ekipman ile ilgili teknik standartlar, tesisat yönetmelikleri ve her bir elektrik enerjisi şirketi kılavuzları için resmi makamların yasalara uyun.
- Kontrol tesisatı (bundan sonra iletim hattı olarak anılacaktır) güç kaynağı tesisatından (5 cm veya daha fazla) uzak olmalıdır ki güç kaynağı tesisatından çıkan elektrik gürültüsünden etkilenmesin. (İletim hattı ile güç kaynağı kablolarını aynı buatin içine koymayın.)
- Gösterilen topraklama işini dış üniteye yaptığınızdan emin olun.
- İç ve dış ünitelerin elektriksel kısım kutusu için biraz tolerans tanıyın, çünkü servis işi anında bazen kutu çıkarılmaktadır.
- Ana güç kaynağını asla iletim hattı terminali bloğuna bağlamayın. Eğer bağlarsa, elektriksel parçalar yanacaktır.
- İletim hattı için 2-telli ekranlı kablo kullanın. Eğer farklı sistemlerin iletim hatları aynı çokluteleli kablo ile kablolanır ise, sonuçta zayıf iletim ve alım yüzünden hatalı işlemler olacaktır.
- Dış ünite iletimi için terminal bloğuna sadece belirtilen iletim hattı bağlanmalıdır. (İç ünite ile bağlanacak olan iletim hattı : İletim hattı için terminal bloğu TB3, Diğeri : Merkezi kontrol için terminal bloğu TB7)  
Hatalı bağlantı sistemin çalışmasına izin vermez.
- Üst sınıf kumanda ile bağlamak için veya farklı soğutma sistemlerindeki grup işlemine iletmek için her birinde dış üniteler arasında iletim için kontrol hattı gereklidir.  
Merkezi kontrol için terminal blokları arasındaki bu kontrol hattını bağlayın. (kutupsuz 2-telli hat)  
Üst sınıf kumandaya bağlanmadan farklı soğutma sistemlerindeki grup işlemi yapılırken, bir dış ünitenin kısa devre konektörünün takılmasını CN41'den CN40'a değiştirin.
- Uzaktan kumanda kullanılarak grup ayarlanır.
- BAĞLAMA KİTİ (PAC-LV11M-J) ve M serisi iç üniteyi bağlarken, BAĞLAMA KİTİ kullanma kılavuzuna bakınız.
- Bir dağıtım kutusunu bağlarken, dış üniteyi açmadan önce iç üniteleri ve dağıtım kutusunu açık konuma getirdiğinizden emin olun.

## 6. Elektrik işleri

### <PUMY-P-VKM>



### <PUMY-P-YKM(E)>



- Ⓐ Güç kaynağı  
Ⓑ Dağıtım kutusu için güç kaynağı  
Ⓒ Elektrikli bileşen kutusu üzerindeki vida  
Ⓓ İletim hattı  
Ⓔ Terminal bloku topraklama (TB3)  
Ⓕ Elektrik parça kutusuna vidalayın

Fig. 6-1

## 6.2. Kontrol kutusu ve tesisatın bağlantı konumu (Fig. 6-1)

- İç ünite iletim hattını, iletim terminali bloğuna (TB3) bağlayın, veya dış ünitelerin arasındaki tesisata veya merkezi kontrol terminali bloğuna (TB7) giden merkezi kontrol sistemi tesisatına bağlayın.  
Korumalı kablo sistemi kullanırken, iç ünitenin iletim hattına ait koruma topraklamasını vidaya (Ⓔ) bağlayın ve dış üniteler ile merkezileştirilmiş kontrol sistemi iletim hattı arasındaki hattın koruma topraklamasını, merkezileştirilmiş kontrol terminal bloğu (TB7) koruma (S) terminaline bağlayın. Buna ilaveten, elektrik beslemesi konektörü CN41'in CN40 ile değiştirildiği dış ünitelerin olması durumunda, merkezi kontrol sisteminin terminal bloğunun (TB7) ekran terminali (S) de kurşun tel takılarak vidaya (Ⓔ) bağlanmalıdır.
- Terminal yatağı (TB1B), dağıtım kutusuna güç (220 ~ 240 VAC, maks 6 A) sağlamak içindir.
- Çekme kuvveti için tampon nipeli kullanarak güç kaynağı kablosunu terminal kutusuna takın (PG bağlantısı veya benzeri).

### ⚠ Dikkat:

İç ünite iletim hattını ya da merkezileştirilmiş kontrol sistemi iletim hattını bu terminal yatağına (TB1B) asla bağlamayın. İletim hatları bağlıysa iç ünite terminal bloğu ya da merkezi kontrol terminal bloğu zarar görmüş olabilir.

## 6.3. İletim kabloları tesisatı

### ① Kontrol kabloları tipleri

- İletim kabloları tesisatı
  - Aktarım kablosu türleri: Korumalı kablo CVVS, CPEVS veya MVVS
  - Kablo çapı: 1,25 mm<sup>2</sup>'den fazla
  - Maksimum kablo uzunluğu: 200 m içinde

### 2. M-NET Uzaktan kontrol kabloları

Uzaktan kontrol kablosu cinsi	Korumalı kablo CVVS, CPEVS veya MVVS
Kablo çapı	0,5 ila 1,25 mm <sup>2</sup>
Uyarılar	10 m aşılığında, iletim hattı kabloları ile aynı özelliklerdeki kabloyu kullanın.

### 3. MA Uzaktan kontrol kabloları

Uzaktan kontrol kablosu cinsi	Kıvrımlı ikili kablo (korumasız) CVV
Kablo çapı	0,3 ila 1,25 mm <sup>2</sup> (0,75 ila 1,25 mm <sup>2</sup> )*
Uyarılar	200 m içinde

\* Basit uzaktan kumanda ile bağlı.

### ② Kablolama örnekleri

- Kumanda adı, sembolü ve izin verilen kumandaların sayısı.

Adı	Sembol	İzin verilen kumandaların sayısı	
Dış ünite kumandası	OC	-	
İç ünite kumandası	M-IC	PUMY-P112	Her 1 OC'ye 1 den 9 birime kadar *1
		PUMY-P125	Her 1 OC'ye 1 den 10 birime kadar *1
		PUMY-P140	Her 1 OC'ye 1 den 12 birime kadar *1
	A-IC	PUMY-P112	Her 2 OC'ye 1 den 8 birime kadar *1
PUMY-P125	PUMY-P140		
Dağıtım kutusu	-	-	Her 1 OC'ye 0 den 2 birime kadar
Uzaktan kumanda	RC	M-NET RC *2	Bir OC için maksimum 12 kumanda (Dağıtım kutusu kullanılıyorsa bağlanamaz.)
		MA-RC	Her grup için maksimum 2 adet

### Not:

- \*1. Bağlanabilir ünitelerin sayısı, iç ünitenin kapasitesi veya her ünitenin eşdeğer güç tüketimi gibi bazı durumlar ile sınırlanabilir.
- \*2. Lossnay kumanda kullanmayın (PZ-61DR-E, PZ-43SMF-E, PZ-52SF-E, PZ-60DR-E).

## Çoklu dış üniteler ile grup işletim sistemi örneği (Ekranlı kablolar ve adres ayarı gereklidir.)

<İletim Kablosu Tesisatı Örnekleri: Dağıtım Kutusu Kullanmadığınızda>

### ■ Bkz. Fig. 6-6 ila Fig. 6-2.

<Kablolama Yöntemi ve Adres Ayarları: Dağıtım kutusu sistemi olmadan>

- Dış ünite (OC) ve iç ünite (M-IC) arasında bağlantı yaparken her zaman blendajlı kablo kullanın.
- Terminal M1 ve M2 ile her bir dış ünitenin (OC) iletim kablo terminal bloğundaki (TB3) topraklama terminalini, iç ünitenin (M-IC) iletim kablosu terminal bloğundaki M1, M2 terminalleri ve terminal S'e bağlamak için besleme kablo sistemi kullanın.
- Aynı gruptaki en son adrese sahip olan iç ünite (M-IC) iletim kablosu terminal bloğundaki 1 (M1) ve 2 (M2) terminallerini uzaktan kumandadaki (M-NET RC) terminal bloğuna bağlayın.
- Dış ünitenin (OC) merkezileştirilmiş kontrolü için (TB7) terminal bloğundaki terminal M1, M2 ve terminal S'i birbirine bağlayın.
- Kumanda paneli üzerindeki CN41 çapraz konektörü değişmez.
- İç ünite iletim hattının topraklama ekranını (TB3) ekranının (S) terminaline bağlayın ve terminali de (S) kurşun tel kullanarak vidaya (Ⓔ) ya da (Ⓔ) bağlayın. Dış üniteler ile merkezileştirilmiş kontrol sistemi iletim hattı arasındaki hattın koruma topraklamasını (TB7)'nin koruma (S) terminaline bağlayın.
- Adres ayarı anahtarını aşağıdaki gibi girin.

Ünite	Aralık	Ayar Metodu
M-IC (Ana)	01 ila 50	Aynı gruptaki iç ünitelerin içindeki en son adresi kullanın
M-IC (Tali)	01 ila 50	Aynı gruptaki iç ünitelerin içindeki ünitelerin arasındakilerden başka IC (Ana) bir adres kullanın. Bu IC (Ana) ile art arda gelmelidir
Dış Ünite	51 ila 100	Bütün iç ünitelerin en son adresi artı 50 kullanın * Adres "01-50" olarak girilmiş ise otomatik olarak "100" olur.
M-NET R/C (Ana)	101 ila 150	Aynı gruptan bir IC (Ana) adres artı 100 girin
M-NET R/C (Tali)	151 ila 200	Aynı gruptan bir IC (Ana) adres artı 150 girin
MA R/C	-	Gereksiz adres girişi (Gereken ana/tali ayar)

- Elektrik enerjisi verildikten sonra çoklu üniteler arasındaki grup ayarı işlemleri uzaktan kumanda (M-NET RC) ile yapılır.

### i. Bir PWFY ünitesini bağlarken

- PWFY ünitesi ve iç mekan ünitesi için grup ayarlarını yapmayın.
- PWFY ünitesi ile Lossnay ünitesi aynı anda çalışacak şekilde ayarlanamazlar.
- PWFY ünitesi için bir WMA uzaktan kumandası kullanın.

Bilgi için, PWFY ünitesinin kurulum kılavuzuna bakın.

### j. Bir Silindir ya da Hydrobox takarken

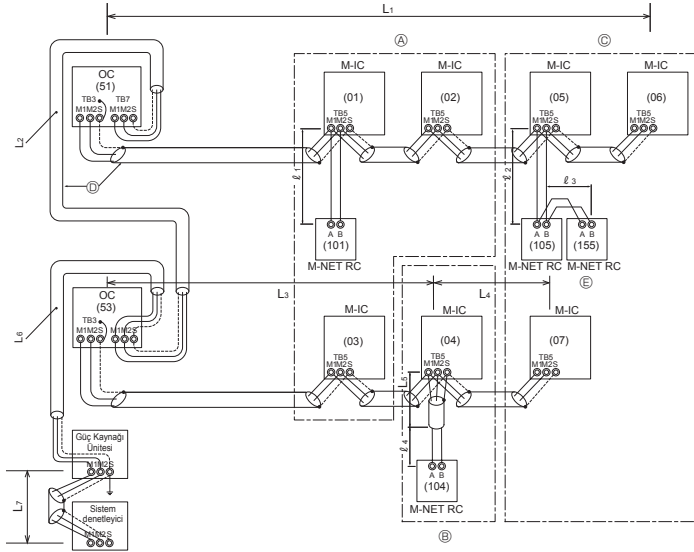
- İç üniteleri ile Silindir ya da Hydrobox ünitesi arasında grup ayarlarını yapmayın.

<Kablolama Yöntemi ve Adres Ayarları: Dağıtım kutusu dahil>

Lütfen Dağıtım Kutusu Kurulum Kılavuzuna başvurun.

## 6. Elektrik işleri

<İletim Kablosu Tesatı Örneği: Dağıtım Kutusu kullanılmadığında>  
■ M-NET Uzaktan Kumanda



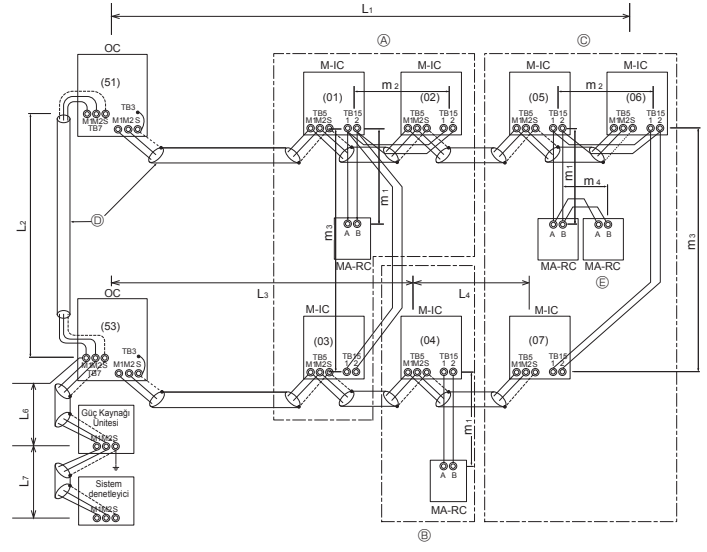
- Ⓐ: Grup 1  
Ⓑ: Grup 2  
Ⓒ: Grup 3  
Ⓓ: Blendajlı Kablo  
Ⓔ: Tali Uzaktan Kumanda  
( ): Adres

<İzin Verilen Uzunluklar>

- Dış ünitelerden geçen maks uzunluk:  $L_1 + L_2 + L_3 + L_4$  ve  $L_1 + L_2 + L_3 + L_5$  ve  $L_1 + L_2 + L_6 + L_7 \leq 500$  m (1,25 mm<sup>2</sup> veya daha fazla)
- İletim kablosu maks uzunluğu:  $L_1$  ve  $L_3 + L_4$  ve  $L_3 + L_5$  ve  $L_2 + L_6$  ve  $L_7 \leq 200$  m (1,25 mm<sup>2</sup> veya daha fazla)
- Uzaktan kumanda kablosu uzunluğu:  $l_1, l_2, l_3, l_4 \leq 10$  m (0,5 ila 1,25 mm<sup>2</sup>)  
Eğer uzunluk 10 m'yi aşarsa, 1,25 mm<sup>2</sup> blendajlı kablo kullanın. Bu bölümün uzunluğu ( $L_3$ ) maksimum uzunluk ile toplam uzunluk hesaplamasına dahil edilmelidir.

Fig. 6-2

■ MA Uzaktan Kumanda

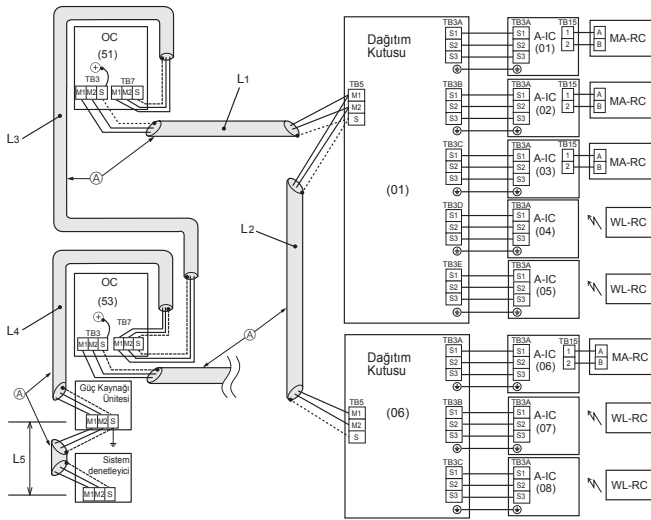


<İzin Verilen Uzunluklar>

- Dış ünitelerden geçen maks uzunluk (M-NET kablosu):  $L_1 + L_2 + L_3 + L_4$  ve  $L_1 + L_2 + L_5 + L_7 \leq 500$  m (1,25 mm<sup>2</sup> veya daha fazla)
- İletim kablosu maks uzunluğu (M-NET kablosu):  $L_1$  ve  $L_3 + L_4$  ve  $L_2 + L_6$  ve  $L_7 \leq 200$  m (1,25 mm<sup>2</sup> veya daha fazla)
- Uzaktan kumanda kablosu uzunluğu:  $m_1$  ve  $m_1 + m_2 + m_3$  ve  $m_1 + m_2 + m_3 + m_4 \leq 200$  m (0,3 ila 1,25 mm<sup>2</sup>)

Fig. 6-3

<İletim Kablosu Tesatı Örneği: Dağıtım kutusu ile bağlantı>



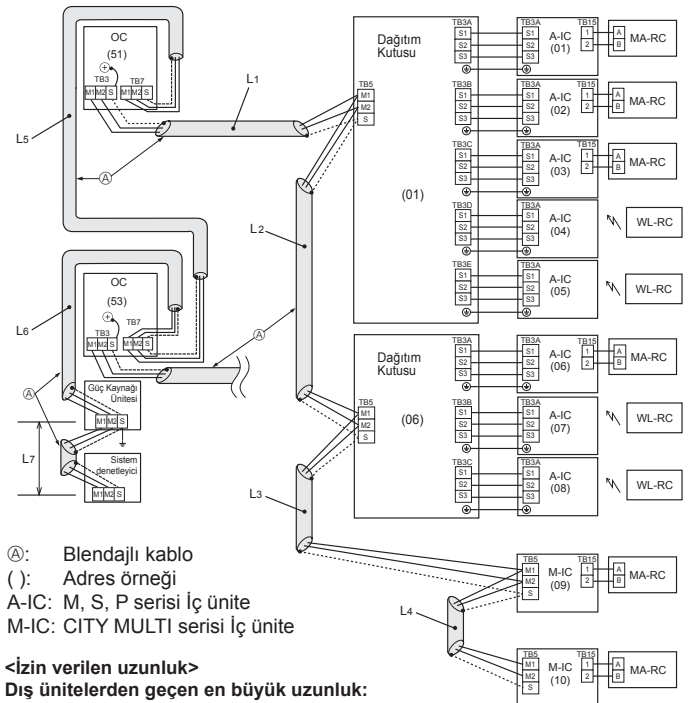
- Ⓐ: Blendajlı kablo  
( ): Adres örneği  
A-IC: M, S, P serisi iç ünite

<İzin Verilen Uzunluklar>

- Dış ünitelerden geçen maks uzunluk (M-NET kablosu):  $L_1 + L_2 + L_3 + L_4 + L_5 \leq 500$  m (1,25 mm<sup>2</sup> veya daha fazla)
- İletim kablosu maks uzunluğu (M-NET kablosu):  $L_1 + L_2, L_3 + L_4, L_5 \leq 200$  m (1,25 mm<sup>2</sup> veya daha fazla)

Fig. 6-4

<İletim Kablosu Tesatı Örneği: Karma sistem>



- Ⓐ: Blendajlı kablo  
( ): Adres örneği  
A-IC: M, S, P serisi iç ünite  
M-IC: CITY MULTI serisi iç ünite

<İzin verilen uzunluk>

- Dış ünitelerden geçen en büyük uzunluk:  $L_1 + L_2 + L_3 + L_4 + L_5 + L_6 + L_7 \leq 500$  m (1640 ft.) (1,25 mm<sup>2</sup> veya daha fazla)
- En büyük iletim kablosu uzunluğu:  $L_1 + L_2 + L_3 + L_4, L_5 + L_6, L_7 \leq 200$  m (656 ft.) (1,25 mm<sup>2</sup> veya daha fazla)

Fig. 6-5

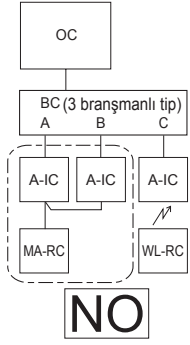
Not:

Silindir veya Hydrobox ünitesi, diğer bir Silindir veya Hydrobox ünitesi dışında başka bir ünite ile gruplandırılmaz. Ayrıca, Silindir veya Hydrobox ünitesi bağlandığında, birden fazla dış ünite birlikte çalıştırılmaz.

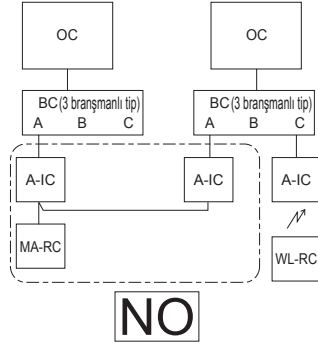
## 6. Elektrik işleri

<Hatalı Sistemler>

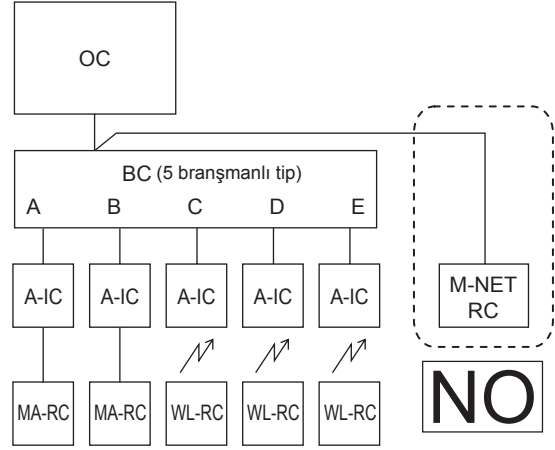
1. Tek bir uzaktan kumanda ile grup olarak çalıştırma



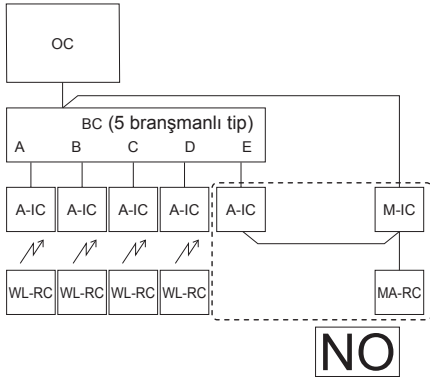
2. Farklı soğutucu madde kullanan sistemleri grup olarak çalıştırma



3. M-NET Uzaktan kumanda bağlantısı



4. A kontrol sistemi ve M-NET kontrol sistemi arasında grup kontrolü.



1. Birden fazla iç ünite tek bir uzaktan kumanda ile çalıştırılmaz.
2. Farklı soğutucu madde kullanan sistemler birbirlerine bağlanamaz.
3. M-NET uzaktan kumanda bağlanamaz.
4. Farklı tip kontrol sistemleri (A-IC/M-IC) birbirlerine bağlanamaz.

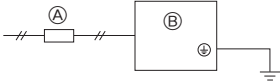
## 6. Elektrik işleri

### 6.4. Ana güç kaynağı tesisatı ve ekipman kapasitesi

Tesisatın Şematik Çizimi: Dağıtım Kutusu Kullanmadığınızda (Örnek) (Fig. 6-6)

#### ■ PUMY-P-VKM4

~N 220-230-240 V 50 Hz  
~N 220-230 V 60 Hz



#### ■ PUMY-P-YKM(E)4

• YKM4  
3N~380-400-415 V 50 Hz  
3N~380 V 60 Hz  
• YKME4  
3N~380-400-415 V 50 Hz

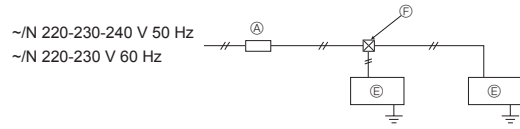
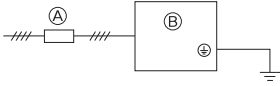


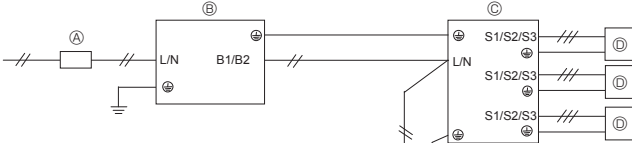
Fig. 6-6

Tesisatın Şematik Çizimi: Dağıtım Kutusu Kullanılırken (Örnek) (Fig. 6-7)

<Güç Dış Üniteden Sağlandığında>

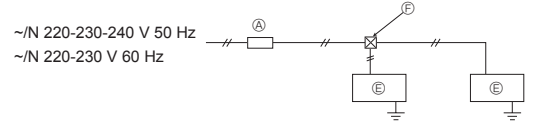
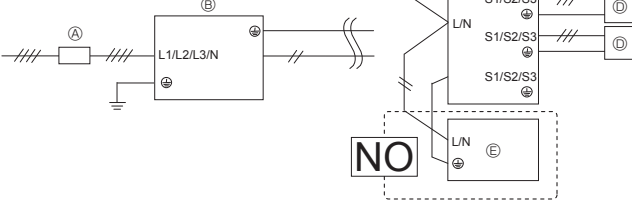
#### ■ PUMY-P-VKM4

~N 220-230-240 V 50 Hz  
~N 220-230 V 60 Hz



#### ■ PUMY-P-YKM(E)4

• YKM4  
3N~380-400-415 V 50 Hz  
3N~380 V 60 Hz  
• YKME4  
3N~380-400-415 V 50 Hz



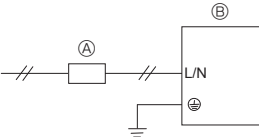
- Ⓐ Anahtar (Tesisat ve Akım Kaçağı için Kesciler)
- Ⓑ Dış ünite
- Ⓒ Şube kutusu
- Ⓓ "A-Kontrol" İç Ünite (M, S, P serisi iç ünite)
- Ⓔ M-NET Kontrol İç Ünitesi (City Multi iç ünitesi)
- Ⓕ Çekme Kutusu

\* M-NET Kontrol İç ünite bir dış üniteden güç alamaz, bu nedenle güç ayrı olarak verilmelidir.

<Güç Ayrı Olarak Sağlandığında>

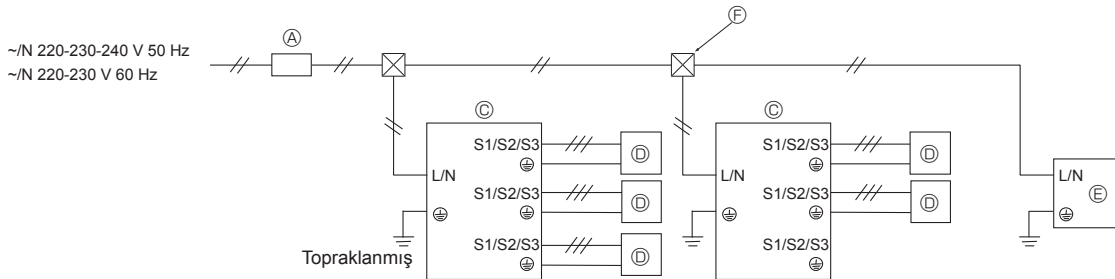
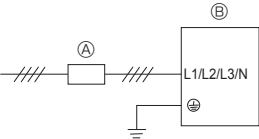
#### ■ PUMY-P-VKM4

~N 220-230-240 V 50 Hz  
~N 220-230 V 60 Hz



#### ■ PUMY-P-YKM(E)4

• YKM4  
3N~380-400-415 V 50 Hz  
3N~380 V 60 Hz  
• YKME4  
3N~380-400-415 V 50 Hz



Not: Reaktör KUTUSU (Opsiyonel parçalar)

Ürün, profesyonel ekipman dışı bir amaçla kullanıldığında Reaktör KUTUSU gerekli olabilir.

Dış ünite	Dağıtım kutusu güç kaynağı metodu	
	Dış üniteden gelen güç kaynağı	Ayrı güç kaynağı
1-fazlı güç kaynağı	Gereksiz	Gerekli
3-fazlı güç kaynağı	Gerekli	Gerekli

Fig. 6-7

## 6. Elektrik işleri

### Ana Güç Kaynağı ve Açma/Kapama Kapasitelerinin kesit alanı <Güç Ayrı Olarak Sağlandığında>

Model	Güç kaynağı	Minimum Kablo Kesit alanı (mm <sup>2</sup> )			Kablo için Kesici *1	Akım Kaçağı için Kesici	
		Ana Kablo	Branşman	Topraklama			
Dış Ünite	P112-140VKM4	~N 220-230-240 V 50 Hz ~N 220-230 V 60 Hz	6	-	6	32 A	32 A 30 mA 0,1 sn. veya daha az
	P112-140YKM4	3N~380-400-415 V 50 Hz 3N~380 V 60 Hz	1,5	-	1,5	16 A	16 A 30 mA 0,1 sn. veya daha az
	P112-140YKME4	3N~380-400-415 V 50 Hz					

### <Güç Dış Üniteden Sağlandığında>

Model	Güç kaynağı	Minimum Kablo Kesit alanı (mm <sup>2</sup> )			Kablo için Kesici *1	Akım Kaçağı için Kesici	
		Ana Kablo	Branşman	Topraklama			
Dış Ünite	P112-140VKM4	~N 220-230-240 V 50 Hz ~N 220-230 V 60 Hz	6	-	6	40 A	40 A 30 mA 0,1 sn. veya daha az
	P112-140YKM4	3N~380-400-415 V 50 Hz 3N~380 V 60 Hz	2,5	-	2,5	20 A	20 A 30 mA 0,1 sn. veya daha az
	P112-140YKME4	3N~380-400-415 V 50 Hz					

\*1 Her kutuptan en az 3,0 mm temas aralığı bırakarak, sigortasız devre kesici (NF) veya topraklama devre kesicisi (NV) kullanılır.

### <İç üniteler>

İç ünitenin toplam işletim akımı	Minimum Kablo Kesiti (mm <sup>2</sup> )			Toprak kaçağı akım kesicisi *1	Yerel anahtar (A)		Kablo tesisatı için kesici (NFB)
	Ana Kablo	Dağıtım	Toprak		Kapasite	Sigorta	
F0 = 16 A veya daha az *2	1,5	1,5	1,5	20 A akım duyarlılığı *3	16	16	20
F0 = 25 A veya daha az *2	2,5	2,5	2,5	30 A akım duyarlılığı *3	25	25	30
F0 = 32 A veya daha az *2	4,0	4,0	4,0	40 A akım duyarlılığı *3	32	32	40

IEC61000-3-3'e yaklaşık maksimum geçerli sistem empedansı uygulayın.

\*1 Toprak kaçağı akım kesicisi, envertör devresini desteklemelidir.

Toprak kaçağı akım kesicide yerel anahtar ve kablo kesici birlikte kullanılmalıdır.

\*2 F1 ya da F2'nin büyük olanını F0 değeri olarak alın.

F1 = İç ünitelerin toplam maksimum işletim akımı × 1,2

F2 = {V1 × (1. Tip Sayısı)/C} + {V1 × (2. Tip Sayısı)/C} + {V1 × (3. Tip Sayısı)/C} + ... + {V1 × (14. Tip Sayısı)/C}

### Dağıtım kutusuna bağlama (PAC-MK-BC(B))

İç ünite		V1	V2
Tip 1	PEAD-RP-JA(L)Q, PEAD-M-JA(L), PEY-(S)P-JA	26,9	2,4
Tip 2	SEZ-KD-VAQ(L), SEZ-M-DA(L), PCA-RP-KAQ, PCA-M-KA, PLA-ZRP-BA, PLA-RP-EA, SLZ-KF-VA2, SLZ-M-FA, PLY-(S)P-BA, SEZ-KH-VALT, PCY-(S)P-KA	19,8	
Tip 3	MLZ-KA-VA, SLZ-KA-VAQ(L)3	9,9	
Tip 4	MFZ-KJ-VE2, MSXY-FJ-VE, MSZ-LN-VG, MSZ-AP-VG, MLZ-KP-VF	7,4	
Tip 5	MSZ-FH-VE, MSZ-SF-VE, MSZ-EF-VE, MSZ-SF-VA, MSZ-GF-VE, MSZ-GE-VA, MSZ-EF-VA, MSY-GE-VA, MSY-EF-VA, MSZ-FH-VA, MSY-GH-VA, MSZ-FK-VA, MSZ-GC-NA	6,8	
Tip 6	Dağıtım kutusu (PAC-MK-BC(B))	5,1	
Tip 7	ecodan C nesli		5,0 *5

\*5 Bu değer lokal olarak bağlı bir aktüatörden ötürü artabilir.

### Bağlantı kitine bağlama (PAC-LV11M-J)

İç ünite		V1	V2
Tip 8	MFZ-KJ-VE2	7,4	2,4
Tip 9	MSZ-GE-VA, MSZ-SF-VA, MSZ-SF-VE, MSZ-EF-VE, MSZ-FH-VE, MSY-GE-VA, MSY-GH-VA	6,8	
Tip 10	Bağlantı kiti (PAC-LV11M-J)	3,5	

İç ünite		V1	V2
Tip 11	PEFY-VMA(L)-E, PEFY-VMA3-E	38,0	1,6
Tip 12	PMFY-VBM-E, PLFY-VEM-E, PLFY-VFM-E1, PEFY-VMS1(L)-E, PCFY-VKM-E, PKFY-VHM-E, PKFY-VKM-E, PFFY-VKM-E2, PFFY-VLRMM-E, PLFY-EP-VEM-E, PMFY-P-VFM-D	19,8	2,4
Tip 13	PKFY-VBM-E	3,5	2,4
Tip 14	PLFY-VLMD-E, PEFY-VMR-E-L/R, PDFY-VM-E, PEFY-VMH-E, PFFY-VLEM-E, PFFY-VLRM-E, PWFY-VM-E1(2)-AU, PEFY-P-VMH-E-F, GUF-RD(H)4	0,0	0,0

C: 0,01 sn'lik çalışma süresindeki çalışma akımı

Lütfen devre kesicinin atma özelliğinden "C"yi seçin.

## 6. Elektrik işleri

<"F2" hesaplama örneği>

Koşul PEFY-VMS × 4 + PEFY-VMA × 1, C = 8 (sağdaki örnek şemasına bakınız)

$$F2 = 19,8 \times 4/8 + 38 \times 1/8$$

$$= 14,65$$

→ 16 A devre kesici (Atan akım =  $8 \times 16$  A 0,01 sn'de)

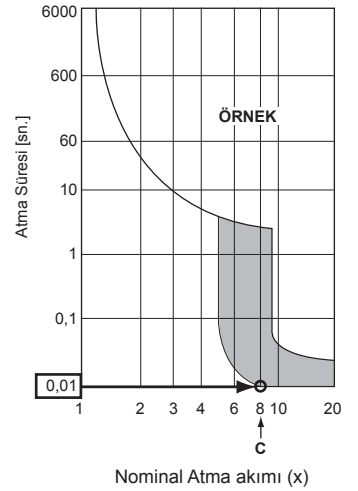
\* 3 Akım hassasiyeti şu formül kullanılarak hesaplanır.

$$G1 = V2 \times (\text{Tip1 Miktarı}) + V2 \times (\text{Tip2 Miktarı}) + V2 \times (\text{Tip3 Miktarı}) + \dots + V2 \times (\text{Tip14 Miktarı}) + V3 \times (\text{Kablo uzunluğu[km]})$$

G1	Akım hassasiyeti
30 veya daha az	30 mA 0,1 sn veya daha az
100 veya daha az	100 mA 0,1 sn veya daha az

Kablo kalınlığı	V3
1,5 mm <sup>2</sup>	48
2,5 mm <sup>2</sup>	56
4,0 mm <sup>2</sup>	66

Örnek şema



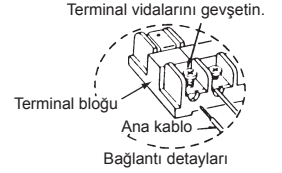
1. Kablo çekerken ve bağlantı yaparken ortam koşullarını (ortam sıcaklığı, direkt güneş ışığının gelmesi, yağmur suyu, vs.) dikkate alın.
2. Metal buat tesisatı için kablo boyutu minimum değerdir. Voltaj düşmeleri dikkate alınarak elektrik kablosu boyutununun 1 kademe daha kalın olması gerekmektedir. Güç-kaynağı voltajının %10'dan daha fazla düşmediğinden emin olun.
3. Özel tesisat gereksinimleri bölgeye ait tesisat yönetmeliklerine uygun olmalıdır.
4. Dış kullanım için eşyalara ait parçaların elektrik besleme kabloları polikloropren kılıflı esnek kablodan daha hafif olmamalıdır (60245 IEC57 tasarımı). Örneğin, YZW gibi kablolama kullanın.
5. Diğer kablolardan daha uzun bir topraklama kablosu monte edin.

### ⚠ Uyarı:

- Bağlantı için belirtilen kabloları kullandığınızdan emin olun ki terminal bağlantılarına harici kuvvet gelmesin. Eğer bağlantılar sıkıca yapılmaz ise, ısınmaya veya yangına sebep olabilir.
- Uygun tipte aşırı akım koruma anahtarları kullandığınızdan emin olun. Oluşan aşırı akımda bir miktar doğru akım da olabileceğini unutmayın.
- Dış ünitenin terminal bloğu kapaklarını/panelini güvenli bir şekilde bağladığınızdan emin olun. Yanlış bir şekilde takılması halinde, toz, su vb. nedenlerle yangına veya elektrik çarpmasına neden olabilir.

### ⚠ Dikkat:

- Yanlış bağlantı yapmayın.
- Terminal vidalarını gevşemeyecek şekilde iyice sıkıştırın.
- Sıkıştırdıktan sonra son bir kez kabloları hafifçe çekip kontrol edin.
- Eğer bağlantı kablosu terminal yatağına yanlış bağlanmışsa, ünite normal biçimde çalışmaz.
- Bazı montaj sahasına bir toprak kaçağı kesicisi ilavesi gerekebilir. Eğer toprak kaçağı kesicisi takılmamışsa, elektrik şokuna sebep olabilir.
- Kesiciden başka bir şey kullanmayın ve doğru kapasitede sigorta kullanın. Çok geniş kapasitede sigorta ile kablo veya bakır tel kullanmak üniteye arızaya veya yangına sebep olabilir.



### ÖNEMLİ

Akım kaçağı devre kesicisinin yüksek harmoniklerle uyumlu olduğundan emin olun.

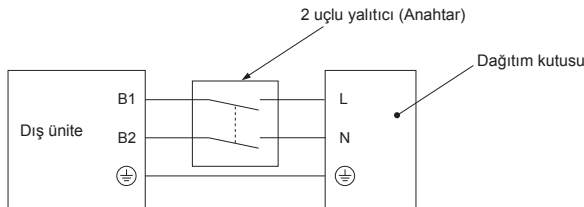
Bu ünite bir redresörle donatıldığı için daima yüksek harmoniklerle uyumlu bir akım kaçağı devre kesicisi kullanın.

Uyumsuz bir devre kesicinin kullanılması, dönüştürücünün (inverter) yanlış çalışmasına neden olabilir.

Hiçbir durumda, güç kablosunun veya iç-dış-dağıtım kutusu kablosunun uçlarını birleştirmeyin, aksi takdirde duman, yangın veya iletişim hatası olabilir.

### ⚠ Uyarı:

- Lütfen bakım yaparken ana güç kaynağını kapatın. Ayrıca, enerji verilirken, B1, B2 terminallerine dokunmayın. Dış ünite ile dağıtım kutusu/iç ünite ile dağıtım kutusu arasında yalıtıcı kullanılması gerekiyorsa, 2 uçlu tip kullanın. (Aşağıdaki şekli inceleyin.)



### ⚠ Dikkat:

Yalıtıcıyı kullandıktan sonra, sistemi sıfırlamak üzere ana güç kaynağını kapatıp açın. Aksi takdirde, dış ünite dağıtım kutusunu/kutularını veya iç üniteleri algılayamayabilir.


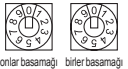

Dış-dağıtım kutusu/iç-dağıtım kutusu bağlantı kablolarının doğrudan ünitelere bağlı olduğundan emin olun (ara bağlantılar olmamalıdır). Ara bağlantılar, kablolarla su girerse iletişim hatalarına yol açabilir ve topraklama için yetersiz yalıtıma veya ara bağlantı noktasında zayıf bir elektrik kontağına sebep olur. (Bir ara bağlantı gerekiyorsa, kablolarla su girmesini engellemek için gerekli önlemleri aldığınızdan emin olun.)



## 6. Elektrik işleri

### 6.5. Adres ayarı

Anahtar adres ayarı

	Dış	Dağıtım Kutusu				M, S, P Serisi İç Ünite	CITY MULTI serisi																																																								
		Adres		Bağlantı Ayarı																																																											
Anahtar	 onlar basamağı birler basamağı SWU2 SWU1	 onlar basamağı birler basamağı SW12 SW11	<table border="1"> <tr> <td>A</td><td>B</td><td>C</td><td>D</td><td>E</td><td>-</td> </tr> <tr> <td>1</td><td>2</td><td>3</td><td>4</td><td>5</td><td>6</td> </tr> </table>		A	B	C	D	E	-	1	2	3	4	5	6	ON (AÇIK): Dahili bağlantı OFF (KAPALI): Bağlantı yok (SW1-6 kullanım dışı)	Yok	 onlar basamağı birler basamağı SW12 SW11																																												
A	B	C	D	E	-																																																										
1	2	3	4	5	6																																																										
Aralık	51 - 100	1 - 50		-		-	1 - 50																																																								
Ayar	M Kontrol İç Ünite veya Dağıtım Kutusu adresi +50	<ul style="list-style-type: none"> <li>Bağlı iç üniteler için adresler, ayarlı adrese göre (örneğin, 01), ardışık olarak ayarlanır (örneğin 02, 03, 04 ve 05).</li> </ul> <table border="1"> <tr> <td>SW1</td><td>1</td><td>2</td><td>3</td><td>4</td><td>5</td><td></td> </tr> <tr> <td></td><td>ON</td><td>ON</td><td>ON</td><td>ON</td><td>ON</td><td></td> </tr> <tr> <td></td><td>(AÇIK)</td><td>(AÇIK)</td><td>(AÇIK)</td><td>(AÇIK)</td><td>(AÇIK)</td><td></td> </tr> <tr> <td>Port</td><td>A</td><td>B</td><td>C</td><td>D</td><td>E</td><td></td> </tr> <tr> <td>Adres</td><td>01</td><td></td><td></td><td></td><td></td><td>(SW11, 12)</td> </tr> <tr> <td></td><td></td><td>02</td><td>03</td><td>04</td><td>05</td><td>(ardışık numaralar)</td> </tr> </table>		SW1	1	2	3	4	5			ON	ON	ON	ON	ON			(AÇIK)	(AÇIK)	(AÇIK)	(AÇIK)	(AÇIK)		Port	A	B	C	D	E		Adres	01					(SW11, 12)			02	03	04	05	(ardışık numaralar)	<ul style="list-style-type: none"> <li>Her bir porta iç ünite bağlı olup olmadığını belirtin (A, B, C, D ve E).</li> </ul> <table border="1"> <tr> <td>SW1</td><td>1</td><td>2</td><td>3</td><td>4</td><td>5</td><td>(6)</td> </tr> <tr> <td>Port</td><td>A</td><td>B</td><td>C</td><td>D</td><td>E</td><td>kullanım dışı</td> </tr> </table> <p>İç üniteler bağlı ON (AÇIK) İç üniteler bağlı değil OFF (KAPALI)</p>		SW1	1	2	3	4	5	(6)	Port	A	B	C	D	E	kullanım dışı	İç üniteler için adres ayarları bulunmamaktadır.	-
SW1	1	2	3	4	5																																																										
	ON	ON	ON	ON	ON																																																										
	(AÇIK)	(AÇIK)	(AÇIK)	(AÇIK)	(AÇIK)																																																										
Port	A	B	C	D	E																																																										
Adres	01					(SW11, 12)																																																									
		02	03	04	05	(ardışık numaralar)																																																									
SW1	1	2	3	4	5	(6)																																																									
Port	A	B	C	D	E	kullanım dışı																																																									

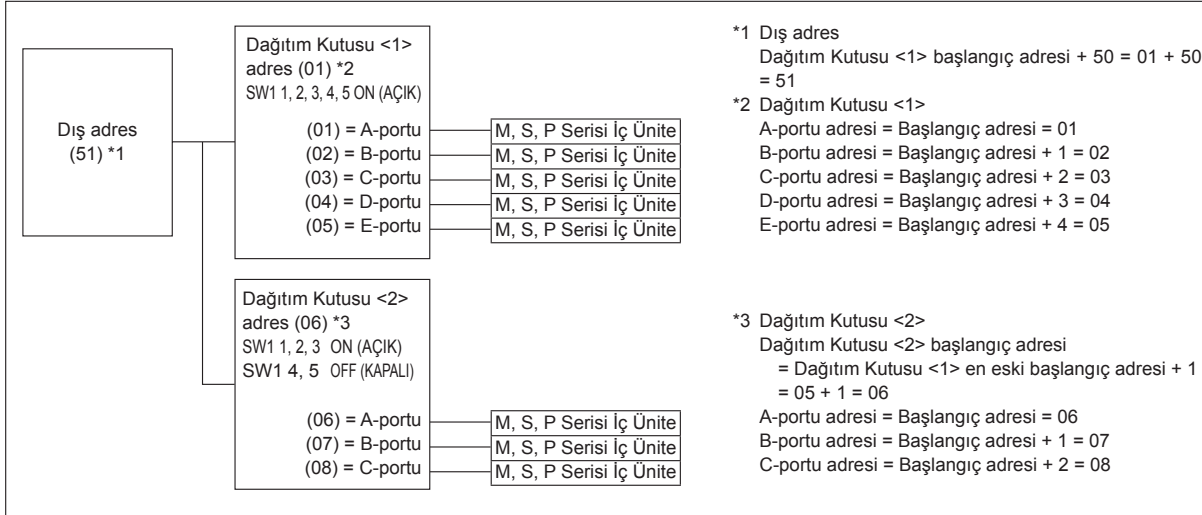
#### Not: 1. Dağıtım kutusu adresi

Adresi ayarlarken, 1-50 aralığında bir sayı kullanın.

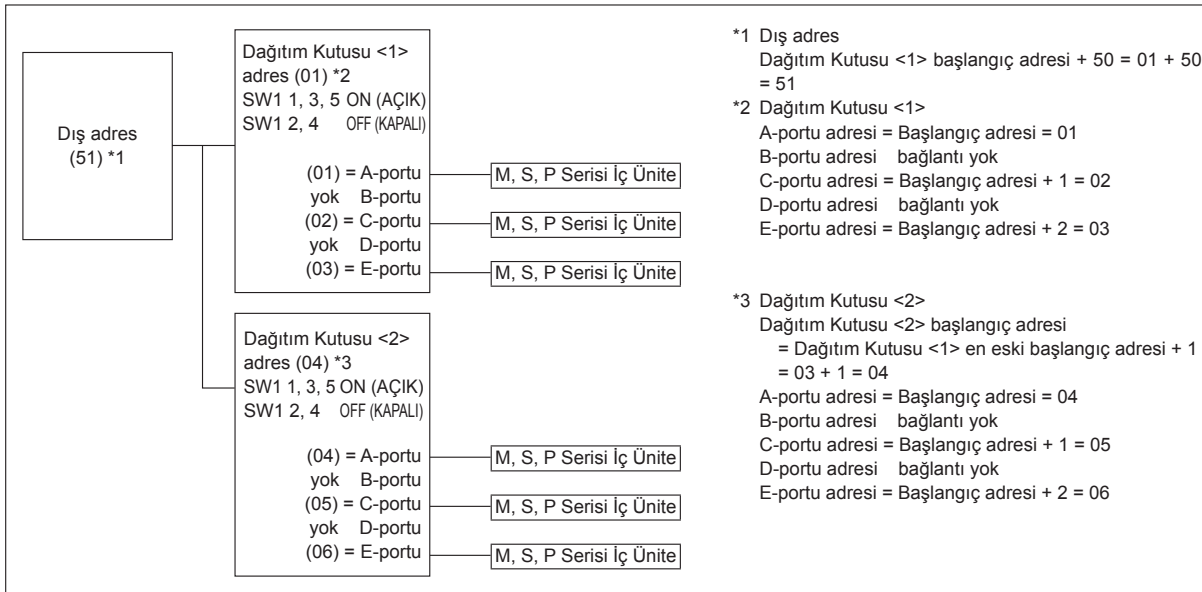
Ör. Ayarlı adres (47) ve 5 iç ünite var (A, B, C, D ve E).

Eğer A: (47), B: (48), C: (49), D: (50) ve E: (51) ise, E yanlışdır; çünkü 50'den büyüktür.

Ör1. Dış + Dağıtım <1> (M, S, P Serisi İç Ünite A, B, C, D, E) + Dağıtım <2> (M, S, P Serisi İç Ünite A, B, C)

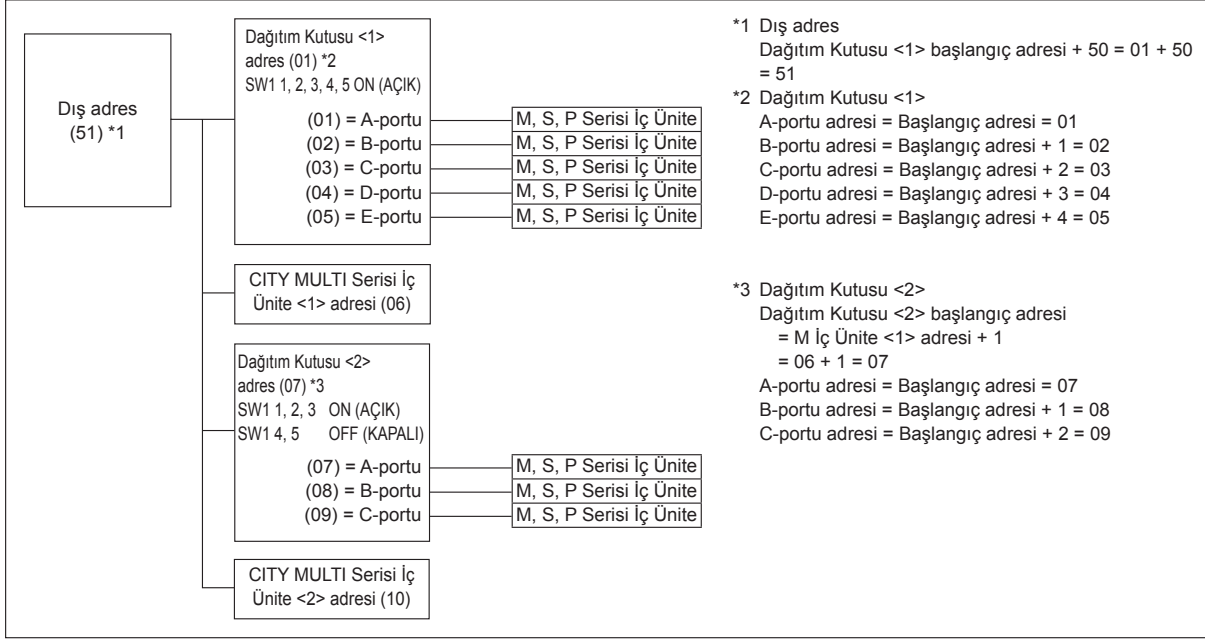


Ör2. Dış + Dağıtım <1> (M, S, P Serisi İç Ünite A, C, E) + Dağıtım <2> (M, S, P Serisi İç Ünite A, C, E)



## 6. Elektrik işleri

Ör3. Dış + Dağıtım <1> (M, S, P Serisi İç Ünite A, B, C, D, E) + Dağıtım <2> (M, S, P Serisi İç Ünite A, B, C) + CITY MULTI Serisi İç Ünite <1> + CITY MULTI Serisi İç Ünite <2>



## 7. Çalışma testi

### 7.1. İşletme testinden önce

- ▶ İç ve dış ünitenin montajının ve kablo ve boru bağlantılarının tamamlanmasından sonra, soğutucu kaçağı, elektrik ve kontrol kablolarında gevşeme, hatalı polarite ve fazlardan birinde kopma olup olmadığına bakınız.
- ▶ Güç kaynağı terminaler ile toprak arasındaki direncin en az 1 MΩ olup olmadığını kontrol etmek için 500 voltluk bir M-ohm test cihazı kullanın.
- ▶ Bu testi kontrol kablosu (düşük gerilim devresi) terminallerinde yapmayınız.

⚠ Uyarı:

İzolasyon direnci 1 MΩ'dan azsa klimayı kullanmayınız.

#### İzolasyon direnci

Montajdan veya cihaza giden elektrik kesildikten uzun süre sonra, kompresörde soğutucu birikmesi nedeniyle izolasyon direnci 1 MΩ un altına düşecektir. Bu arıza anlamına gelmez. Aşağıdaki prosedürleri izleyin.

1. Kabloları kompresörden çıkarın ve kompresörün izolasyon direncini ölçün.
2. İzolasyon direnci 1 MΩ un altında ise, kompresörde arıza vardır veya direnç kompresörde soğutucu birikmesi nedeniyle düşmüştür.

3. Kabloları kompresöre bağladıktan sonra, elektriğin verilmesinin ardından kompresör ısınmaya başlayacaktır. Aşağıda verilmiş olan sürelerde elektrik verdikten sonra izolasyon direncini tekrar ölçün.
  - İzolasyon direnci, kompresörde soğutucu birikmesi nedeniyle düşmüştür. Kompresör 12 saat süreyle ısındıktan sonra direnç 1 MΩ un üstüne çıkacaktır. (Kompresörün ısınması için gereken süre atmosferik koşullara veya soğutucu birikmesine göre değişir.)
  - Kompresörü içinde soğutucu birikmiş vaziyette çalıştırmak için, herhangi bir arıza meydana gelmesini önlemek amacıyla kompresörün en az 12 saat süreyle ısınması sağlanmalıdır.
4. İzolasyon direnci 1 MΩ un üstüne çıkarsa, kompresör arızalı değil demektir.

⚠ Dikkat:

- Güç kaynağının faz bağlantısı doğru değilse kompresör çalışmaz.
- Cihazı çalıştırmadan en az 12 saat önce ana elektrik şalterini açınız.
  - Ana elektrik şalterini açtıktan hemen sonra cihazı çalıştırmak iç parçaların ciddi hasar görmesine yol açabilir. Cihazın çalıştırılacağı mevsimde ana elektrik şalterini açık bırakınız.

▶ Aşağıdaki kontrollerin de yapılması gerekir.

- Dış ünite arızalı değildir. Dış ünite arızaya girdiğinde dış ünitenin kontrol panosundaki LED yanıp söner.
- Hem gaz hem de sıvı kesme vanaları tamamen açık.

### 7.2. Çalışma testi

#### 7.2.1. Uzaktan kumandayı kullanma

İç ünite montaj kılavuzuna bakın.

- Her bir iç üniteyi test çalıştırmasına tabi tuttuğunuzdan emin olun. Üniteye bağlı olan montaj kılavuzunu kullanarak her bir iç ünitenin doğru çalıştığından emin olun.
- Tüm iç ünitelerin test çalıştırmasını bir defada yaparsanız soğutucu boruları ve bağlantı tellerindeki olası hatalı bağlantıları tespit edemezsiniz.
- \* Kompresör, güç açıldıktan sonraki en az 3 dakika boyunca çalışmaz.
- Kompresör, güç kaynağı açıldıktan hemen sonra veya dış hava sıcaklığının düşük olması halinde gürültü yapabilir.
- İşletim koşullarına bağlı olarak, kompresör çalışırken dış ünite fanı durabilir ama bu bir arıza değildir.

#### Yeniden çalışma önleme mekanizması hakkında

Kompresör durduktan sonra, yeniden çalışma önleme aygıtı devreye girerek klima cihazını korumak amacıyla kompresörü çalışmasını 3 dakika süreyle engeller.

### 7.3. Soğutucu çekme işlemi (Pompalama)

İç ve dış mekan ünitelerini taşıırken soğutucuyu toplamak için aşağıdaki prosedürleri uygulayın.

- ① Devre kesiciyi kapatın.
- ② Ayar manifoldunun alçak basınç kısmını gaz kesme valfinin servis portuna bağlayın.
- ③ Sıvı kesme vanasını kapatın.
- ④ Güç sağlayın (devre kesici).
  - \* Güç (devre kesici) açıldıktan sonra iç ve dış ünite iletişiminin başlaması yaklaşık 3 dakika sürer. Güç (devre kesici) açık konuma getirildikten 3 - 4 dakika sonra aşağı pompalama işlemini başlatın.
- ⑤ SW3-2'nin Kapalı olduğunu doğrulayın ve ardından SW3-1'i Açık konuma alarak soğutma için test çalışmasını yapın. Kompresör (dış ünite) ve vantilatörler (iç ve dış üniteler) çalışmaya başlar ve soğutma işlemi test çalışması başlar. Soğutma için test çalışmasının hemen ardından dış servis anahtarını SW2-4 (aşağı pompalama anahtarı) Kapalı'dan Açık konumuna getirin.
  - \* Anahtar SW2-4 Açık konumdayken uzun süre işleme devam etmeyin. Aşağı pompalama tamamlandıktan sonra Kapalı konuma getirmeyi unutmayın.

- ⑥ Manometredeki basınç değeri 0,05 - 0,00 MPa (yaklaşık 0,5 - 0,0 kgf/cm<sup>2</sup>) altına düştüğünde gaz kesme vanasını tamamen kapatın.
- ⑦ Klima işlemini durdurun (SW3-1: Kapalı). SW2-4 dış servis anahtarını Açık konumundan Kapalı konumuna getirin.
- ⑧ Güç kaynağını kapatın (devre kesici).
  - \* Klima sistemine çok fazla soğutucu eklenmişse, basınç 0,05 MPa (0,5 kgf/cm<sup>2</sup>)'ye düşmeyebilir. Bunun olması durumunda, sistemdeki tüm soğutucuyu toplamak için bir soğutucu temizleme aracı kullanın ve sistemi iç ve dış üniteler yerleştirildikten sonra doğru miktarda soğutucu ile yeniden doldurun.

⚠ Uyarı:

Soğutucu pompalaması yaparken, soğutucu borularının bağlantısını kesmeden önce kompresörü durdurun. Hava gibi yabancı maddelerin sistem içerisine girmesi durumunda kompresör patlayabilir ve yaralanmalara yol açabilir.

# Содержание

1. Меры предосторожности.....	244	5. Дренажные трубы.....	256
2. Место монтажа.....	246	6. Электрические работы.....	256
3. Установка наружного прибора.....	249	7. Выполнение испытания.....	265
4. Прокладка труб хладагента.....	249		

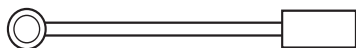
## ⚠ Осторожно:

- Не выпускайте R410A в атмосферу.

## Поставляемые приспособления

Кроме данного руководства в комплект поставки наружного прибора входит следующая дополнительная принадлежность.

Она используется для заземления концевика S, расположенного на блоке концевика передачи ТВ7. См. более подробную информацию на "6. Электрические работы".



Провод заземления

## 1. Меры предосторожности

- ▶ До установки прибора убедитесь, что Вы прочли все "Меры предосторожности".
- ▶ Пожаруиста, проконсультируйтесь с органами электроснабжения до подключения системы.
- ▶ Модель PUMY-P-VKM соответствует требованиям IEC/EN 61000-3-12
- ▶ Изделия серии PUMY-P-VKM и PUMY-P-YKME рассчитаны на использование в условиях жилых домов, коммерческих организаций, а также в легкой промышленности.
- ▶ Изделия серии PUMY-P-YKM относятся к классу профессионального оборудования.
- ▶ При подключении внутреннего блока ATW (модели EHST20C и EHSC) с 3-фазной моделью используйте PUMY-P-YKME4.

### ⚠ Предупреждение:

Описывает меры предосторожности, необходимые для предотвращения получения травмы или гибели пользователя.

### ⚠ Осторожно:

Описывает меры предосторожности, необходимые для предотвращения повреждения прибора.

### ⚠ Предупреждение:

- Прибор не должен устанавливаться пользователем. Для выполнения установки прибора обратитесь к дилеру или сертифицированному техническому специалисту. Неправильная установка аппарата может повлечь за собой протечку воды, удар электрическим током или возникновение пожара.
- Данное устройство предназначено для использования специалистами или обученным персоналом в магазинах, на предприятиях легкой промышленности и фермах или для коммерческого применения непрофессионалами.
- При установочных работах следуйте инструкциям в Руководстве по установке. Используйте инструменты и детали трубопроводов, специально предназначенные для использования марки R410A. Хладагент R410A в HFC-системе находится под давлением в 1,6 раза большим, чем давление, создаваемое при использовании обычных хладагентов. Если компоненты трубопроводов не предназначены для использования с хладагентом R410A, и аппарат установлен неправильно, трубы могут лопнуть и причинить повреждение или нанести травму. Кроме того, это может привести к утечке воды, поражению электрическим током или возникновению пожара.
- Прибор должен быть установлен согласно инструкции, чтобы свести к минимуму риск повреждения от землетрясений, тайфунов или сильных порывов ветра. Неправильно установленный прибор может упасть и причинить повреждение или нанести травму.
- Прибор должен быть установлен на конструкции, способной выдержать его вес. Прибор, установленный на неустойчивой конструкции, может упасть и причинить повреждение или нанести травму.
- Если кондиционер установлен в небольшом помещении, необходимо принять меры для предотвращения концентрации хладагента свыше безопасных пределов в случае утечки хладагента. Проконсультируйтесь у дилера относительно соответствующих мер, предотвращающих превышение допустимой концентрации. В случае утечки хладагента и превышении допустимой его концентрации из-за нехватки кислорода в помещении может произойти несчастный случай.
- Если во время работы прибора произошла утечка хладагента, проветрите помещение. При контакте хладагента с пламенем образуются ядовитые газы.
- Все электроработы должны выполняться квалифицированным техническим специалистом в соответствии с местными правилами и инструкциями, приведенными в данном Руководстве. Приборы должны быть подключены к специально выделенным линиям электропитания с соответствующим напряжением через автоматические выключатели. Использование линий электропитания недостаточной мощности или неправильно проведенных линий может привести к поражению электрическим током или возникновению пожара.
- Для соединения медных или медносплавных бесшовных труб, предназначенных для хладагента, используйте медный фосфор S1220. Если трубы соединены неправильно, прибор не будет должным образом заземлен, что может привести к поражению электрическим током.

После окончания установочных работ проинструктируйте пользователя относительно правил эксплуатации и обслуживания аппарата, а также ознакомьте с разделом "Меры предосторожности" в соответствии с информацией, приведенной в Руководстве по использованию аппарата, и выполните тестовый прогон аппарата для того, чтобы убедиться, что он работает нормально. Обязательно передайте пользователю на хранение экземпляры Руководства по установке и Руководства по эксплуатации. Эти Руководства должны быть переданы и последующим пользователям данного прибора.

⚡ : Указывает, что данная часть должна быть заземлена.

### ⚠ Предупреждение:

Внимательно прочтите текст на этикетках главного прибора.

- Используйте для проводки указанные кабели. Убедитесь, что кабели надежно соединены, а оконечные соединения не натянуты. Никогда не соединяйте кабели внахлест (если иное не указано в прилагаемой документации). Несоблюдение этих инструкций может привести к перегреву или возгоранию.
- Крышка наружного прибора должна быть надежно присоединена к прибору. Если крышка установлена неправильно, в прибор могут попасть пыль и влага, что может привести к поражению электрическим током или возникновению пожара.
- При монтаже или перемещении, а также при обслуживании кондиционера используйте только указанный хладагент (R410A) для заполнения трубопроводов хладагента. Не смешивайте его ни с каким другим хладагентом и не допускайте наличия воздуха в трубопроводах. Наличие воздуха в трубопроводах может вызывать скачки давления, в результате которых может произойти взрыв или другие повреждения. Использование любого хладагента, отличного от указанного для этой системы, вызовет механическое повреждение, сбой в работе системы, или выход устройства из строя. В наихудшем случае, это может послужить серьезной преградой к обеспечению безопасной работы этого изделия.
- Используйте только те дополнительные принадлежности, на которые имеется разрешение от Mitsubishi Electric; для их установки обратитесь к дилеру или уполномоченному техническому специалисту. Неправильная установка дополнительных принадлежностей может привести к протечке воды, поражению электрическим током или возникновению пожара.
- Не изменяйте конструкцию прибора. При необходимости ремонта обратитесь к дилеру. Если изменения или ремонт выполнены неправильно, это может привести к протечке воды, удару электрическим током или возникновению пожара.
- Пользователю не следует пытаться ремонтировать прибор или перемещать его на другое место. Если прибор установлен неправильно, это может привести к утечке воды, удару электрическим током или возникновению пожара. Если необходимо отремонтировать или переместить кондиционер, обратитесь к дилеру или уполномоченному техническому специалисту.
- По окончании установки убедитесь в отсутствии утечки хладагента. Если хладагент проникнет в помещение и произойдет контакт его с пламенем обогревателя или переносного пищевого нагревателя, образуются ядовитых газов.
- Данное устройство необходимо устанавливать в соответствии с национальными правилами устройства электроустановок.
- В случае повреждения шнура питания его во избежание создания опасной ситуации следует заменить у производителя, или его сервисного представителя, или у лица аналогичной квалификации.

# 1. Меры предосторожности

## 1.1. Перед установкой

### ⚠ Осторожно:

- Не используйте прибор в нестандартной окружающей среде. Установка кондиционера в местах, подверженных воздействию пара, летучих масел (включая машинное масло) или сернистых испарений, местах с повышенной концентрацией соли (таких, как берег моря), или местах, где прибор будет засыпан снегом, может привести к значительному снижению эффективности работы прибора или повреждению его внутренних частей.
- Не устанавливайте прибор в местах, где возможна утечка, возникновение, приток или накопление горючих газов. Если горючий газ будет накапливаться вокруг прибора, это может привести к возникновению пожара или взрыву.
- При использовании режима обогрева на наружном приборе образуется конденсат. Удостоверьтесь, что обеспечен хороший дренаж в районе наружного прибора, если этот конденсат может принести какой-либо вред.
- При монтаже прибора в больнице или центре связи примите во внимание шумовое и электронное воздействие. Работа таких устройств, как инверторы, бытовые приборы, высокочастотное медицинское оборудование и оборудование радиосвязи может вызвать сбои в работе кондиционера или его поломку. Кондиционер также может повлиять на работу медицинского оборудования и медицинское обслуживание, работу коммуникационного оборудования, вызывая искажение изображения на дисплее.

## 1.2. Перед установкой (перемещением)

### ⚠ Осторожно:

- Будьте чрезвычайно осторожны при транспортировке приборов. Прибор должны переносить два или более человека, поскольку он весит не менее 20 кг. Не поднимайте прибор за упаковочные ленты. При распаковке прибора или его передвижении используйте защитные перчатки, поскольку можно повредить руки ребристыми деталями или другими частями прибора.
- Утилизируйте упаковочные материалы надлежащим образом. Упаковочные материалы, такие, как гвозди и другие металлические или деревянные части, могут поранить или причинить другие травмы.
- Необходимо периодически производить проверку основного блока наружного прибора и установленных на нем компонентов на разболтанность, наличие трещин или других повреждений. Если такие дефекты оставить неисправленными, прибор может упасть и причинить повреждение или нанести травму.
- Не мойте кондиционер водой. Это может привести к поражению электрическим током.
- Затягивайте все хомуты на муфтах в соответствии со спецификациями, используя ключ с регулируемым усилием. Слишком сильно затянутый хомут муфты по прошествии некоторого времени может сломаться, что вызовет утечку хладагента.

## 1.3. Перед электрическими работами

### ⚠ Осторожно:

- Обязательно установите автоматические выключатели. В противном случае возможно поражение электрическим током.
- Используйте для электропроводки стандартные кабели, рассчитанные на соответствующую мощность. В противном случае может произойти короткое замыкание, перегрев или пожар.
- При монтаже кабелей питания не прикладывайте растягивающих усилий. Если соединения ненадежны, кабель может отсоединиться или порваться, что может привести к перегреву или возникновению пожара.
- Обязательно заземлите прибор. Не присоединяйте провод заземления к газовым или водопроводным трубам, громоотводам или телефонным линиям заземления. Отсутствие надлежащего заземления может привести к поражению электрическим током.
- Используйте автоматические выключатели (прерыватель утечки тока на землю, разъединитель (плавкий предохранитель +В) и предохранитель корпуса) с указанным предельным током. Если предельный ток автоматического выключателя больше, чем необходимо, может произойти поломка или пожар.

## 1.4. Перед тестовым прогоном

### ⚠ Осторожно:

- Включайте главный выключатель питания не позднее, чем за 12 часов до начала эксплуатации. Запуск прибора сразу после включения выключателя питания может серьезно повредить внутренние части. Держите главный выключатель питания включенным в течение всего времени работы.
- Перед началом эксплуатации проверьте, что все пульты, щитки и другие защитные части правильно установлены. Вращающиеся, нагретые или находящиеся под напряжением части могут нанести травмы.
- Не прикасайтесь ни к каким выключателям влажными руками. Это может привести к поражению электрическим током.
- Не прикасайтесь к трубам с хладагентом голыми руками во время работы прибора. Трубы с хладагентом при работе прибора нагреваются или охлаждаются в зависимости от состояния циркулирующего хладагента. Прикосновение к трубам может привести к ожогу или обморожению.
- После остановки прибора обязательно подождите по крайней мере пять минут перед выключением главного выключателя питания. В противном случае возможна протечка воды или поломка прибора.

## 1.5. Использование кондиционеров с хладагентом R410A

### ⚠ Осторожно:

- Для соединения медных или медносплавных бесшовных труб, предназначенных для хладагента, используйте медный фосфор С1220. Удостоверьтесь, что внутри трубы чисты и не содержат никаких вредных загрязнителей, таких как соединения серы, окислители, мелкий мусор или пыль. Используйте трубы указанной толщины. (См. стр. 249) При использовании имеющихся труб, которые применялись для хладагента R22, обратите внимание на следующее.

- Замените хомуты на муфтах и перезатяните соединенные секции.
- Не используйте тонкие трубы. (См. стр. 249)
- Храните трубы, предназначенные для установки в закрытом помещении, запечатанными, а также оставьте запечатанными их концы; распаковывайте их непосредственно перед пайкой. (Оставьте коленчатые трубы и т.д. в упаковке.) Если пыль, мелкий мусор или влага попадут в трубопроводы хладагента, может произойти порча масла или поломка компрессора.
- Используйте в качестве масла охлаждения для покрытия соединительных муфт масло сложного или простого эфира или алкилбензол (в небольшом количестве). Если в масле охлаждения присутствует минеральное масло, может произойти порча масла.
- Используйте только хладагент R410A. В случае использования другого хладагента хлор может испортить масло.

- Используйте нижеперечисленные инструменты, специально предназначенные для работы с хладагентом R410A. Для работы с хладагентом R410A необходимы следующие инструменты. При возникновении каких-либо вопросов обратитесь к ближайшему дилеру.

Инструменты (для R410A)	
Набор шаблонов	Инструмент для затяжки муфт
Шланг зарядки	Калибр регулирования размера
Детектор утечки газа	Адаптер вакуумного насоса
Ключ с регулируемым усилием	Электронный измеритель зарядки хладагента

- Используйте только специальные инструменты. Попадание пыли, мелкого мусора или влаги в трубопроводы хладагента может привести к порче масла охлаждения.
- Не используйте для зарядки баллон. Использование баллона для зарядки приведет к изменению состава хладагента и снижению эффективности работы прибора.

## 2. Место монтажа

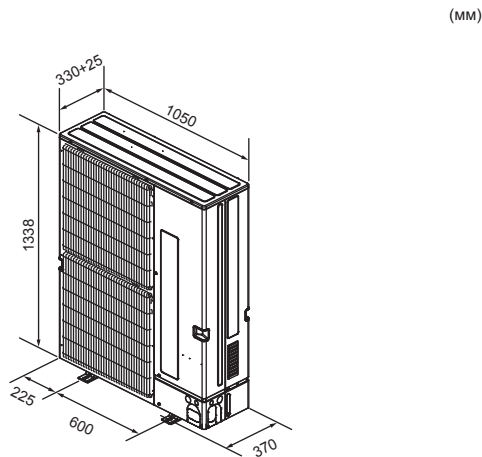


Fig. 2-1

Таблица 2 Количество подключаемых внутренних блоков

• Внутренние блоки City Multi

P112	1-9 *1
P125	1-10 *2
P140	1-12 *3

\*1 При подключении внутренних приборов серии M с помощью комплекта подключения можно подсоединить 10 внутренних приборов.

\*2 При подключении внутренних приборов серии M с помощью комплекта подключения можно подсоединить 12 внутренних приборов.

\*3 Когда в качестве внутренних приборов используются модели P15, можно соединить 12 внутренних приборов.

• Система ответвительных коробок (внутренние блоки серии M, S, P через ответвительную коробку).

P112	2-8
P125	2-8
P140	2-8

• Смешанная система (внутренние блоки City Multi и внутренние блоки серии M, S, P через ответвительную коробку).

	Одна ответвительная коробка		Две ответвительные коробки	
	Через ответвительную коробку	Внутренний блок City Multi	Через ответвительную коробку	Внутренний блок City Multi
P112	Макс. 5	Макс. 5*1	Макс. 7 Макс. 8	Макс. 3*1 Макс. 2*1
P125	Макс. 5	Макс. 5*1	Макс. 8	Макс. 3*1
P140	Макс. 5	Макс. 5*1	Макс. 8	Макс. 3*1

\*1 Внутренние приборы типов PKFY-P-VBM, PFFY-P-VKM и PFFY-P-VL\* не могут быть использованы в смешанной системе.

Таблица 3 Технические характеристики блока PWFY

Модель		PWFY-P100VM-E-AU
Темп. диапазон в режиме обогрева	Температура наружного воздуха	от -15 до 21 °C (сухой термометр), от -15 до 15 °C (влажный термометр)
	Температура воды на входе	от 10 до 45 °C
Темп. диапазон в режиме охлаждения	Температура наружного воздуха	-
	Температура воды на входе	-

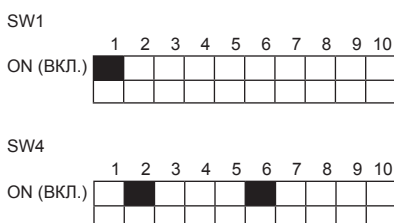


Fig. 2-2

### 2.1. Трубы хладагента

См. Fig. 4-1.

### 2.2. Выбор места установки наружного прибора

- Не устанавливайте прибор в местах, подверженных воздействию прямых солнечных лучей или других источников нагрева.
- Выберите такое размещение, чтобы шум при работе прибора не беспокоил окружающих.
- Выберите место, удобное для проведения кабелей и трубопроводов к источнику питания и внутреннему прибору.
- Не устанавливайте прибор в местах, где возможна утечка, возникновение, приток или накопление горючих газов.
- Примите во внимание, что во время работы прибора из него может капать вода.
- Выберите место, способное выдержать вес и вибрацию прибора.
- Не устанавливайте прибор в местах, где он может быть засыпан снегом. В тех регионах, где возможны сильные снегопады, требуется принять специальные меры предосторожности (например, разместить прибор выше или смонтировать на воздухозаборнике козырек) с целью предотвращения закупорки воздухозаборника снегом или прямого воздействия ветра. В противном случае возможно уменьшение потока воздуха, что может привести к сбою.
- Не устанавливайте прибор в местах, подверженных влиянию летучих масел, пара или сернистых испарений.
- Для транспортировки наружного прибора используйте четыре ручки, расположенные на приборе слева, справа, спереди и сзади. При переносе прибора за нижнюю часть можно придавить руки или пальцы.

### 2.3. Контурные габариты (Наружный прибор) (Fig. 2-1)

#### Ограничения по монтажу внутреннего прибора

Вам необходимо обратить внимание на то, что к данному наружному прибору можно подключить внутренние приборы следующих моделей.

• Можно подключать внутренние приборы с номерами моделей 15-140.

С помощью ответвительной коробки можно подсоединять модели внутренних приборов с номерами 15-100. В таблице 1 ниже приводятся возможные комбинации помещений и внутренних приборов.

#### Проверка

Номинальную мощность необходимо определять по таблице ниже. Количество приборов ограничено, как показано ниже в таблице 2. На следующем этапе убедитесь, что выбранная общая номинальная мощность будет находиться в пределах 50% - 130% мощности наружного прибора.

- PUMY-P112 6,3 - 16,2 кВт.
- PUMY-P125 7,1 - 18,2 кВт.
- PUMY-P140 8,0 - 20,2 кВт.

Таблица 1-1 Внутренние блоки City Multi (серия P-FY)

Тип внутреннего прибора	P15*	P20	P25	P32	P40	P50	P63	P71	P80	P100	P125	P140
Номинальная мощность (охлаждение) (кВт)	1,7	2,2	2,8	3,6	4,5	5,6	7,1	8,0	9,0	11,2	14,0	16,0

Таблица 1-2 (серия M, серия P, серия S)

Тип внутреннего прибора	15	20	22	25	35	42	50	60	71	80	100
Номинальная мощность (охлаждение) (кВт)	1,5	2,0	2,2	2,5	3,5	4,2	5,0	6,0	7,1	8,0	10,0

Комбинации, в которых общая мощность внутренних приборов превышает мощность наружного прибора, понизят производительность каждого внутреннего прибора по охлаждению до уровня ниже его номинальной производительности по охлаждению. Следовательно, по мере возможности, комбинируйте внутренние приборы с наружным прибором, не выходя за пределы мощности наружного прибора.

\* Только в том случае, если все внутренние приборы являются моделями на P15, к 1 наружному прибору можно подключить 12 внутренних приборов.

### 2.4. Подключение блока PWFY

При использовании блока PWFY в качестве внутреннего блока системы кондиционирования необходимо учитывать представленные далее особенности, поскольку блок PWFY отличается от других внутренних блоков.

Блок PWFY нельзя подключать в странах ЕС.

#### 2.4.1. Ограничения по подключению

• К системе можно подключить только 1 блок PWFY-P100VM-E-AU. Блоки PWFY-P200VM-E-AU и PWFY-P100VM-E-BU не могут быть подключены.

• Блок PWFY не должен быть единственным блоком, подключаемым к наружному блоку. Наружный блок следует подобрать таким образом, чтобы суммарная номинальная мощность внутренних блоков, за исключением блока PWFY, составляла 50 - 100% мощности наружного блока.

Пределы суммарной номинальной мощности внутренних блоков при подключении к системе блока PWFY

- PUMY-P112 (1 блок PWFY + блоки других моделей [6,3 - 12,5 кВт.])
- PUMY-P125 (1 блок PWFY + блоки других моделей [7,1 - 14,0 кВт.])
- PUMY-P140 (1 блок PWFY + блоки других моделей [8,0 - 15,5 кВт.])

#### 2.4.2. Технические характеристики внутреннего блока

При подключении блока PWFY к блоку PUMY технические характеристики изменяются следующим образом.

• Блок PWFY обеспечивает функционирование только в режиме обогрева. Блок PWFY не может работать в режиме охлаждения. В то же время, внутренние блоки других моделей данной системы могут функционировать в режиме охлаждения.

• Внутренние блоки других моделей не могут функционировать одновременно с блоком PWFY.

• Работа блока PWFY имеет приоритет. При нахождении блока PWFY в режиме работы остальные внутренние блоки прекращают работу.

• Значение температуры, установленное на пульте дистанционного управления, является заданным значением выходной температуры воды.

#### 2.4.3. Настройки переключателя (Fig. 2-2)

При подключении блока PWFY к блоку PUMY установите DIP-переключатели SW1-1, SW4-2 и SW4-6 блока PWFY в положение ВКЛ.

#### 2.4.4. Выполнение испытания

При выполнении пробного прогона с использованием переключателей наружного блока блок PWFY не будет работать. Пробный прогон следует выполнить с использованием переключателей блока PWFY или пульта дистанционного управления.

Сведения о выполнении пробного запуска см. в справочнике или руководстве по обслуживанию блока PWFY.

#### 2.4.5. Сбор хладагента (откачка)

На этапе ① процедуры откачки пользователю рекомендовано "включить все внутренние приборы на работу в режиме охлаждения". Тем не менее, блок PWFY не может работать в режиме охлаждения.

В связи с этим следует включить в режиме охлаждения все внутренние блоки, за исключением блока PWFY.

## 2. Место монтажа

### 2.5. Подключение блока Cylinder (EHST20C) или Hydrobox (EHSC)

При подключении блока Cylinder или Hydrobox необходимо учитывать представленные далее особенности, поскольку блоки Cylinder и Hydrobox отличаются от других внутренних блоков.

#### 2.5.1. Ограничения по подключению

- Можно подключить только 1 блок Cylinder (EHST20C) или 1 блок Hydrobox (EHSC).  
(Модели EHST20C-МЕС, EHST20D, EHPT20X, EHSD, EHSC-МЕС, ERSД, ERSC и EHPX подключать нельзя.)
- Для подключения систем Escodap используйте разветвительную коробку PAC-МК32/52BC(B). (Нельзя использовать ответвительную коробку А PAC-МК31/51BC(B).)
- Блоки PWFY нельзя подключать одновременно с блоком Cylinder или Hydrobox.
- Внутренние блоки АТА\*1 с суммарной мощностью 50 % – 130 % от мощности наружного блока можно подключать с 1 блоком Cylinder или 1 блоком Hydrobox.

\*1 Внутренний блок АТА: Внутренний блок, исключая PWFY, блок Cylinder и блок Hydrobox.

PUMY-P112 1 блок Cylinder или 1 блок Hydrobox + внутренние блоки АТА [макс. 16,2 (1,3\*2) кВт]

PUMY-P125 1 блок Cylinder или 1 блок Hydrobox + внутренние блоки АТА [макс. 18,2 (2,8\*2) кВт]

PUMY-P140 1 блок Cylinder или 1 блок Hydrobox + внутренние блоки АТА [макс. 20,2 (4,3\*2) кВт]

\*2 В случае одновременной работы блоков Cylinder или Hydrobox в режиме нагревания / режиме DHW и внутреннего блока АТА.

Однако есть возможность установки указанных ниже комбинаций.

· PUMY-P112: MSZ-SF15VE × 1

· PUMY-P125: MSZ-SF15VE × 2

· PUMY-P140: MSZ-SF15VE × 3

#### 2.5.2. Технические характеристики внутреннего блока

При подключении блока Cylinder или блока Hydrobox технические характеристики изменяются следующим образом.

- Блок Cylinder или блок Hydrobox не может работать в режиме охлаждения.
- Режим работы блока Cylinder или блока Hydrobox всегда имеет приоритет.
- Использование экологического режима в рамках режима DHW невозможно.
- Максимальная температура воздушного потока составляет 55 °С. (DIP-переключатель SW1-2 на блоке Cylinder или блоке Hydrobox должен быть установлен в положение OFF (ВЫКЛ.))
- Контроль за расходом энергии возможен только при подключении внешнего измерителя мощности.
- Контроль нескольких наружных приборов невозможен.
- Подключение блока Cylinder или блока Hydrobox к беспроводному пульта дистанционного управления M-NET и централизованному контроллеру невозможно.
- Блокировка котла может быть использована только при переключении на температуру наружного воздуха.
- Блоки Cylinder или Hydrobox нельзя сочетать с внутренним блоком АТА.
- В случае работы блоков Cylinder или Hydrobox в **Режиме нагревания** и одновременной работы внутренних блоков АТА обратит внимание на следующее.
  - Температурный диапазон потока отопления для блоков Cylinder или Hydrobox составляет 45–55 °С.
  - Задайте температурный диапазон потока воздуха в соответствии с Руководством по установке блоков Cylinder или Hydrobox.
  - Температура окружающей среды не должна быть ниже –10 °С. При температуре наружного воздуха ниже 7 °С температура потока воздуха и воздуха на выходе снижается.
- Одновременное включение блоков Cylinder или Hydrobox в **режиме DHW** и внутреннего блока АТА возможно только при температуре снаружи 7 °С или выше. Если температура наружного воздуха составляет менее 7 °С, их нельзя включать одновременно.

#### 2.5.3. Настройки переключателей

При подключении блока Cylinder или блока Hydrobox к блоку PUMY установите DIP-переключатель SW1-2 на блоке Cylinder или блоке Hydrobox в положение OFF (ВЫКЛ.).

#### 2.5.4. Пробный прогон

Выполните тестовый прогон блока Cylinder или блока Hydrobox с внутреннего блока.

(Описание тестового прогона см. в руководстве по установке блока Cylinder или блока Hydrobox.)

#### 2.5.5. Сбор (откачка) хладагента

Выполните процедуры, описанные в разделе 7.3.

### 2.6. Подключение только охлаждающего внутреннего прибора

Если в системе имеется один или несколько только охлаждающих внутренних приборов, настройте всю систему как охлаждающую.

Произведите настройку приборов, как показано в табл. 4.

Таблица 4 Процедура настройки только на охлаждение

Прибор		Настройка
Наружный прибор	PUMY-P-V/YKM(E)4	DIP-переключатель SW2-6 на печатной плате мультиконтроллера: ON (ВКЛ.)
Ответвительная коробка	PAC-МК-BC(B)	DIP-переключатель SW4-5 на печатной плате контроллера ответвительной коробки: ON (ВКЛ.)
Внутренний прибор	Серия CITY MULTI	DIP-переключатель SW3-1 на печатной плате контроллера внутреннего прибора: ON (ВКЛ.)
	Серии M, S, P	Настройка не требуется.

### 2.7. Подключение PEFY-P-VMA3-E

При использовании PEFY-P-VMA3-E применяйте следующие комбинации для подключения внутренних блоков.

	PUMY-P112	PUMY-P125	PUMY-P140
ОК	PEFY-P25VMA3-E × 2 + PEFY-P32VMA3-E × 2	PEFY-P32VMA3-E × 4	PEFY-P32VMA3-E × 3 + PEFY-P40VMA3-E × 1
НЕТ	Все комбинации, за исключением приведенных выше Пример. 1: PEFY-P25VMA3-E × 2 + PEFY-P32VMA3-E × 2	Все комбинации, за исключением приведенных выше Пример. 1: PEFY-P32VMA3-E × 3 + PEFY-P32VMA3-E × 1	Все комбинации, за исключением приведенных выше Пример. 1: PEFY-P32VMA3-E × 3 + PEFY-P40VMA3-E × 1
	Пример. 2: PEFY-P25VMA3-E × 2 + PEFY-P32VMA3-E × 1	Пример. 2: PEFY-P32VMA3-E × 3	Пример. 2: PEFY-P32VMA3-E × 2 + PEFY-P40VMA3-E × 1
	Пример. 3: PEFY-P32VMA3-E × 4 (Комбинация для PUMY-P125)	Пример. 3: PEFY-P25VMA3-E × 2 + PEFY-P32VMA3-E × 2 (Комбинация для PUMY-P112)	Пример. 3: PEFY-P32VMA3-E × 4 (Комбинация для PUMY-P125)
	Пример. 4: PEFY-P25VMA3-E × 2 + PEFY-P32VMA3-E × 2 + MSZ-FH25VE × 1	Пример. 4: PEFY-P32VMA3-E × 3 + PLFY-P20VFM-E × 1 + SEZ-KD25VA × 1	Пример. 4: PEFY-P32VMA3-E × 3 + PCFY-P40VKM-E × 1 + MSZ-SF15VA × 1

Пример. 1: Выбран другой блок, скрытый в потолке, кроме серии VMA3. Комбинации скрытых в потолке блоков различных серий невозможны.  
Пример. 2: Число блоков неправильное.  
Пример. 3: Комбинация для блока с другой производительностью.  
Пример. 4: Комбинация не является комбинацией "ОК".

### 2.8. Подключение PLFY-EP-VEM-E

В случае с PLFY-EP-VEM-E допускается подключение 2 приборов.

Допускается подключение других внутренних приборов\*1, но при этом не должна превышать общая номинальная мощность системы и соблюдаться максимальное количество подключенных приборов.

\*1 За исключением PEFY-P-VMA3-E и PEFY-P-VMH-EF.

## 2. Место монтажа

### 2.9. Вентиляция и сервисное пространство

#### 2.9.1. При установке одиночного наружного прибора

Минимальные размеры включают, за исключением указанных Макс., значит Максимальных размеров, следующие размеры.

См. соответствующие значения для каждого случая.

- ① Окружающие предметы - только сзади (Fig. 2-3)
- ② Окружающие предметы - только сзади и сверху (Fig. 2-4)
  - Не используйте дополнительные воздуховоды для восходящего потока воздуха.
- ③ Окружающие предметы - только сзади и с боковых сторон (Fig. 2-5)
- ④ Окружающие предметы - только спереди (Fig. 2-6)
  - \* При использовании дополнительной направляющей воздуховыпускного отверстия, зазор составляет 500 мм или больше.
- ⑤ Окружающие предметы - только спереди и сзади (Fig. 2-7)
  - \* При использовании дополнительной направляющей воздуховыпускного отверстия, зазор составляет 500 мм или больше.
- ⑥ Окружающие предметы - только сзади, с боковых сторон и сверху (Fig. 2-8)
  - Не используйте дополнительные воздуховоды для восходящего потока воздуха.

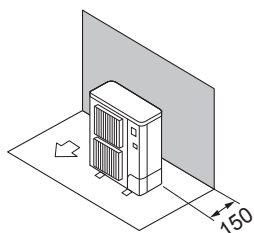


Fig. 2-3

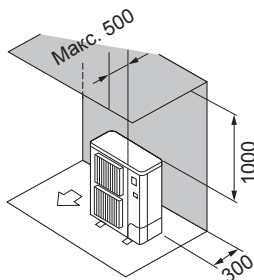


Fig. 2-4

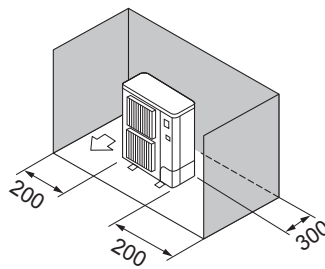


Fig. 2-5

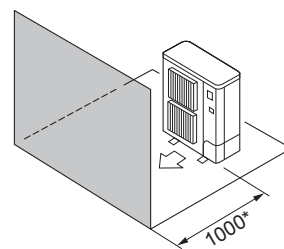


Fig. 2-6

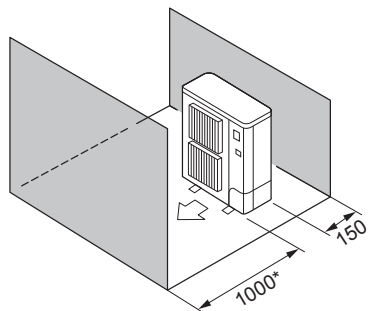


Fig. 2-7

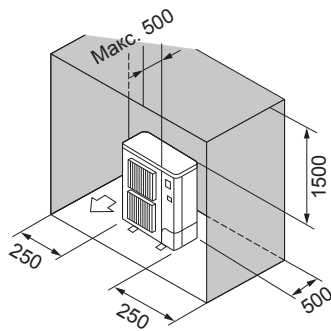


Fig. 2-8

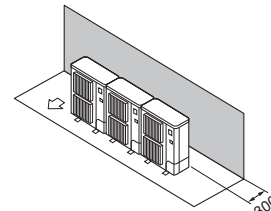


Fig. 2-9

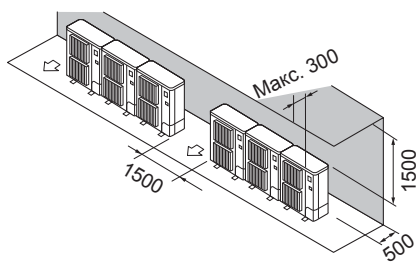


Fig. 2-10

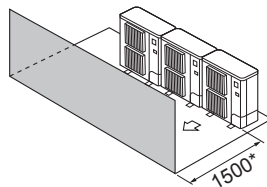


Fig. 2-11

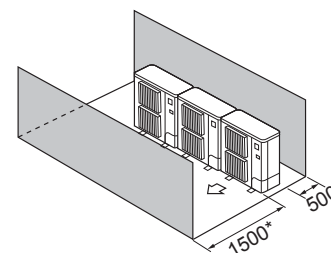


Fig. 2-12

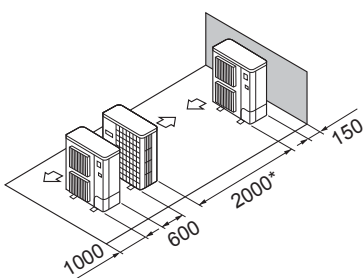


Fig. 2-13

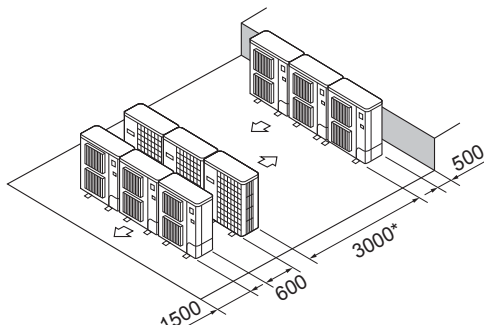


Fig. 2-14

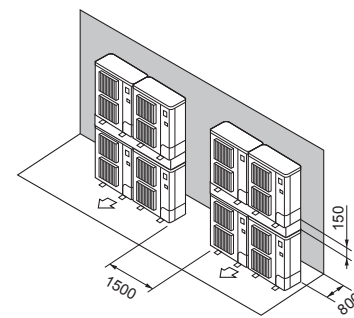


Fig. 2-15

#### 2.9.2. При установке нескольких наружных приборов

Оставьте пространство в 25 мм или больше между приборами.

- ① Окружающие предметы - только сзади (Fig. 2-9)
- ② Окружающие предметы - только сзади и сверху (Fig. 2-10)
  - Не следует устанавливать рядом более трех приборов. Приборы должны находиться на указанном расстоянии друг от друга.
  - Не используйте дополнительные воздуховоды для восходящего потока воздуха.
- ③ Окружающие предметы - только спереди (Fig. 2-11)
  - \* При использовании дополнительной направляющей воздуховыпускного отверстия, зазор составляет 1000 мм или больше.
- ④ Окружающие предметы - только спереди и сзади (Fig. 2-12)
  - \* При использовании дополнительной направляющей воздуховыпускного отверстия, зазор составляет 1000 мм или больше.
- ⑤ Расположение приборов в один горизонтальный ряд (Fig. 2-13)
  - \* При использовании дополнительного воздуховода выходного отверстия для восходящего потока воздуха, расстояние должно быть 1000 мм или больше.
- ⑥ Расположение приборов в несколько горизонтальных рядов (Fig. 2-14)
  - \* При использовании дополнительного воздуховода выходного отверстия для восходящего потока воздуха расстояние должно быть 1500 мм или более.
- ⑦ Расположение приборов вертикальными рядами (Fig. 2-15)
  - Можно вертикально расположить до двух приборов.
  - Рядом должно быть установлено не более двух вертикальных рядов. Приборы должны находиться на указанном расстоянии друг от друга.



## 2. Место монтажа

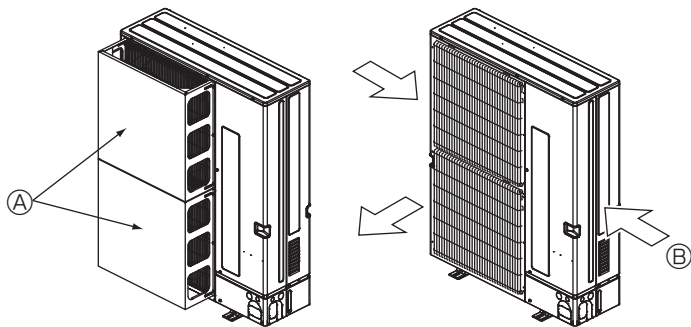


Fig. 2-16

Fig. 2-17

### 2.9.3. Установка в местах, где возможен сильный ветер

При монтаже наружного прибора на крыше или другом месте, не защищенном от ветра, расположите вентиляционную решетку прибора так, чтобы она не подвергалась воздействию сильного ветра. Сильный ветер, дующий прямо в выходное отверстие, может препятствовать нормальному потоку воздуха, что может привести к сбою.

Ниже приводятся 2 примера мер предосторожности против сильных ветров.

① Установите дополнительный воздуховод выходного отверстия и основной воздуховод, если прибор установлен в месте, где сильный ветер от тайфуна и др. может попадать непосредственно в вентиляционную решетку. (Fig. 2-16)

④ Воздуховод выходного отверстия

② По возможности разместите прибор так, чтобы воздух из выходного отверстия выдувался в направлении, перпендикулярном к сезонному направлению ветра. (Fig. 2-17)

⑤ Направление ветра

## 3. Установка наружного прибора

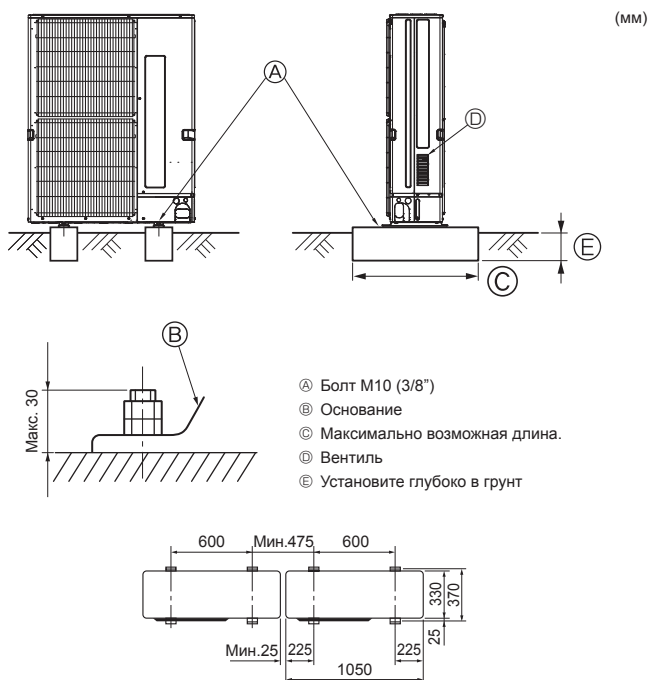


Fig. 3-1

• Обязательно устанавливайте прибор на твердой ровной поверхности для предотвращения его дребезжания во время эксплуатации. (Fig. 3-1)

<Требования к фундаменту>

Фундаментный болт	M10 (3/8")
Толщина бетона	120 мм
Длина болта	70 мм
Несущая способность	320 кг

• Убедитесь в том, что фундаментный болт в пределах 30 мм от нижней поверхности основания.

• Надежно прикрепите основание прибора с помощью четырех фундаментных болтов M10 к твердой поверхности.

**Установка наружного прибора**

• Не блокируйте вентилятор. Если вентилятор заблокирован, это будет препятствовать работе, что может привести к поломке.

• Кроме предусмотренных изначально, используйте установочные отверстия в задней стенке прибора для подсоединения проводов и т.д., если возникнет такая необходимость. Для установки на место используйте шурупы-саморезы (φ5 × 15 мм или меньше).

**Предупреждение:**

• Прибор должен быть установлен на конструкции, способной выдержать его вес. Прибор, установленный на неустойчивой конструкции, может упасть и причинить повреждение или нанести травму.

• Прибор должен быть установлен согласно инструкциям, чтобы свести к минимуму риск повреждения от землетрясений, тайфунов или сильных порывов ветра. Неправильно установленный прибор может упасть и причинить повреждение или нанести травму.

**Внимание:**

• Устанавливайте устройство на жесткую конструкцию во избежание чрезмерного шума или чрезмерной вибрации во время работы.

## 4. Прокладка труб хладагента

### 4.1. Меры предосторожности для устройств, в которых используется хладагент марки R410A

• См. стр. 245, на которой приведены не перечисленные ниже меры предосторожности относительно использования кондиционеров с хладагентом R410A.

• Используйте в качестве масла охлаждения для покрытия соединительных муфт масло сложного или простого эфира или алкилбензол (небольшое количество).

• Для соединения медных или медносплавных бесшовных труб, предназначенных для хладагента, используйте медный фосфор C1220. Используйте трубы для хладагента соответствующей толщины для каждого случая; значения толщины приведены в таблице ниже. Удостоверьтесь, что изнутри трубы чисты и не содержат никаких вредных загрязнителей, таких, как соединения серы, окислители, мелкий мусор или пыль.

**Предупреждение:**

При монтаже или перемещении, а также при обслуживании кондиционера используйте только указанный хладагент (R410A) для заполнения трубопроводов хладагента. Не смешивайте его ни с каким другим хладагентом и не допускайте наличия воздуха в трубопроводах.

Наличие воздуха в трубопроводах может вызывать скачки давления, в результате которых может произойти взрыв или другие повреждения.

Использование любого хладагента, отличного от указанного для этой системы, вызовет механическое повреждение, сбой в работе системы, или выход устройства из строя. В наихудшем случае, это может послужить серьезной преградой к обеспечению безопасной работы этого изделия.

φ 6,35, φ 9,52, φ 12,7	Толщина 0,8 мм
φ 15,88	Толщина 1,0 мм

• Не используйте трубы более тонкие, чем указано выше.

• Значения толщины, перечисленные в приведенной выше таблице, основаны на японских стандартах. Используйте трубы с максимальным рабочим давлением 4,15 МПа [601 фунт/кв. дюйм изб.] или более в соответствии с местными стандартами.

## 4. Прокладка труб хладагента

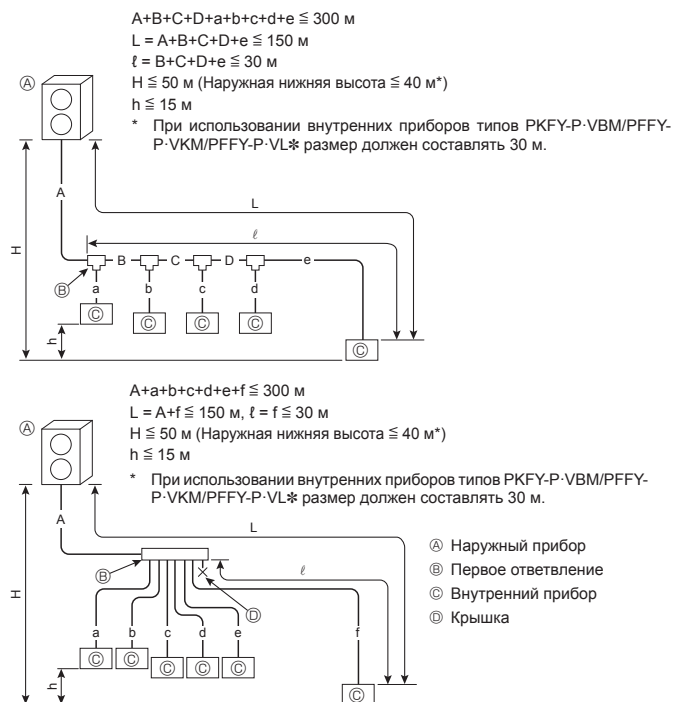


Fig. 4-1

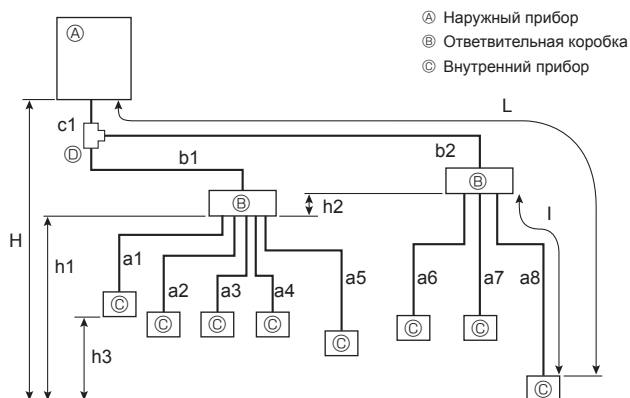


Fig. 4-2

Допустимая длина (в одну сторону)	Общая длина трубопровода	$c1 + b1 + b2 + a1 + a2 + a3 + a4 + a5 + a6 + a7 + a8 \leq 150$ м
	Длина самого дальнего трубопровода (L)	$c1 + b2 + a8 \leq 80$ м
	Длина трубопровода между наружным прибором и ответвительными коробками	$c1 + b1 + b2 \leq 55$ м
	Самая дальняя коробка от первого соединения (b2)	$b2 \leq 30$ м
	Длина самого дальнего трубопровода после ответвительной коробки (l)	$a8 \leq 25$ м
	Общая длина трубопровода между ответвительными коробками и внутренними приборами	$a1 + a2 + a3 + a4 + a5 + a6 + a7 + a8 \leq 95$ м
Допустимая разность высот (в одну сторону)	На участке внутренний прибор/наружный прибор (H)*1	$H \leq 50$ м (Если наружный прибор установлен выше внутреннего прибора) $H \leq 40$ м (Если наружный прибор установлен ниже внутреннего прибора)
	На участке ответвительная коробка/внутренний прибор (h1)	$h1 + h2 \leq 15$ м
	В каждом ответвительном приборе (h2)	$h2 \leq 15$ м
	В каждом внутреннем приборе (h3)	$h3 \leq 12$ м
Количество сгибов	$ c1 + b1 + a1 ,  c1 + b1 + a2 ,  c1 + b1 + a3 ,  c1 + b1 + a4 ,  c1 + b1 + a5 ,  c1 + b2 + a6 ,  c1 + b2 + a7 ,  c1 + b2 + a8  \leq 15$	

\*1 Ответвительную коробку следует располагать на уровне между наружным прибором и внутренними приборами.

### 4.2. Длина труб и разность высот

#### 4.2.1. Подключение без использования ответвительной коробки (Fig. 4-1)

	A (мм)	
	А Труба для жидкости	Б Труба для газа
PUMY-P112-140	$\varnothing 9,52$	$\varnothing 15,88$

	B, C, D (мм)		
	В Общая мощность внутренних приборов	А Труба для жидкости	Б Труба для газа
		$\varnothing 9,52$	$\varnothing 15,88$

	a, b, c, d, e, f (мм)		
	В Номер модели	А Труба для жидкости	Б Труба для газа
15, 20, 25, 32, 40, 50		$\varnothing 6,35$	$\varnothing 12,7$
63, 80, 100, 125, 140		$\varnothing 9,52$	$\varnothing 15,88$

Е Модель с комплектом ответвлений	
СМУ-Y62-G-E	

В 4-Ответвительный коллектор		Г 8-Ответвительный коллектор	
СМУ-Y64-G-E		СМУ-Y68-G-E	

\* При соединении КОМПЛЕКТА ДЛЯ ПОДКЛЮЧЕНИЯ (PAC-LV11M-J) с внутренним прибором серии М информацию о диаметре и длине труб см. в руководстве по установке КОМПЛЕКТА ДЛЯ ПОДКЛЮЧЕНИЯ.

#### 4.2.2. Подключение с использованием ответвительной коробки (Fig. 4-2)

- В данном оборудовании используются фланцевые соединения на каждом внутреннем приборе и по сторонам ответвительной коробки и наружного прибора.
- Снимите крышку клапана наружного прибора, затем подсоедините трубу.
- Трубы хладагента используются для соединения ответвительной коробки и наружного прибора.

## 4. Прокладка труб хладагента

### 4.2.3. Смешанная система (внутренние блоки City Multi и внутренние блоки серии M, S, P через ответвительную коробку) (Fig. 4-3)

#### 1. При использовании ответвительных коробок с 1 ответвлением

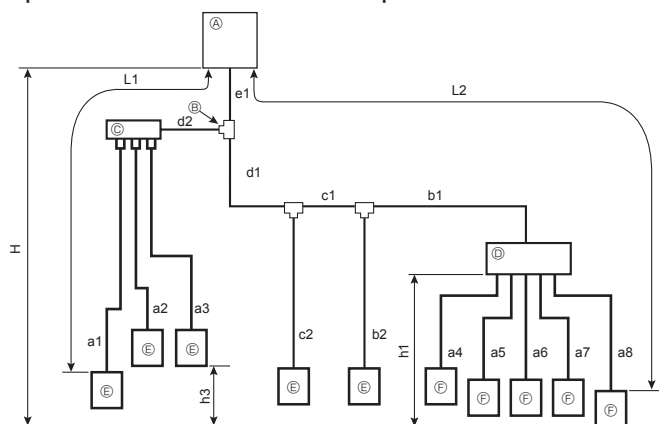


Fig. 4-3 (a)

- Ⓐ Наружный блок
- Ⓑ Первое соединение
- Ⓒ Верхний ввод ответвителя (СМУ)
- Ⓓ Ответвительная коробка (РАС-МК-BC(B))
- Ⓔ Внутренний блок City Multi\*
- Ⓕ Внутренний блок серии M, S, P, блок Cylinder или блок Hydrobox
- \* Внутренние приборы типов PKFY-P-VBM, PFFY-P-VKM и PFFY-P-VL\* не могут быть использованы в смешанной системе.

Допускаемая длина (одностор.)	Общая длина трубопровода	$e1 + d1 + d2 + c1 + c2 + b1 + b2 + a1 + a2 + a3 + a4 + a5 + a6 + a7 + a8 \leq 300 \text{ м} *3$
	Максимальная длина трубопровода (L1)	$e1 + d2 + a1$ или $e1 + d1 + c1 + b2 \leq 85 \text{ м}$
	Максимальная длина трубопровода через ответвительную коробку (L2)	$e1 + d1 + c1 + b1 + a8 \leq 80 \text{ м}$
	Длина трубопровода между наружным блоком и ответвительной коробкой	$e1 + d1 + c1 + b1 \leq 55 \text{ м}$
	Максимальная длина трубопровода от первого соединения	$d1 + c1 + b1, d1 + c1 + b2, d1 + c2$ или $d2 + c1 \leq 30 \text{ м}$
	Максимальная длина трубопровода после ответвительной коробки	$a8 \leq 25 \text{ м}$
	Общая длина трубопровода между ответвительной коробкой и внутренними блоками	$a4 + a5 + a6 + a7 + a8 \leq 95 \text{ м}$
Допускаемая разница по высоте (одностор.)	Во внутренней/наружной секции (H) *2	$H \leq 50 \text{ м}$ (если наружный блок расположен выше внутреннего) $H \leq 40 \text{ м}$ (если наружный блок расположен ниже внутреннего)
	В секции ответвительной коробки/внутреннего блока (h1)	$h1 \leq 15 \text{ м}$
	В каждом внутреннем блоке (h3)	$h3 \leq 12 \text{ м}$
Количество изгибов трубопровода		$ e1 + d2 + a1 ,  e1 + d2 + a2 ,  e1 + d2 + a3 ,  e1 + d1 + c2 ,  e1 + d1 + c1 + b2 ,  e1 + d1 + c1 + b1 + a4 ,  e1 + d1 + c1 + b1 + a5 ,  e1 + d1 + c1 + b1 + a6 ,  e1 + d1 + c1 + b1 + a7 ,  e1 + d1 + c1 + b1 + a8  \leq 15$

\*2: Ответвительная коробка должна располагаться в пределах уровня между наружным блоком и внутренними блоками.

\*3: Когда подключен блок Cylinder или блок Hydrobox, максимальная длина трубопровода составляет 150 м.

#### 2. При использовании ответвительных коробок с 2 ответвлениями

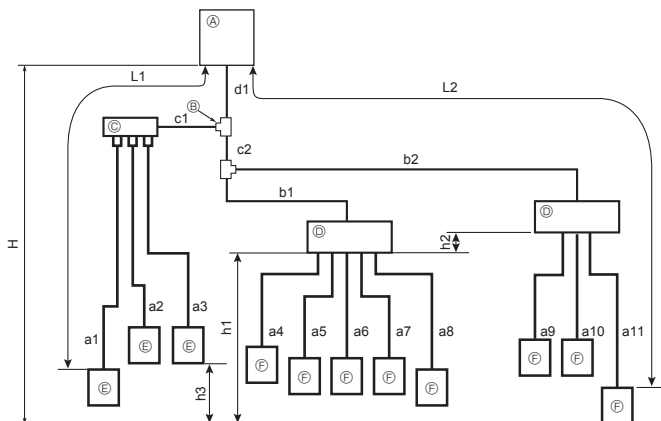


Fig. 4-3 (b)

- Ⓐ Наружный блок
- Ⓑ Первое соединение
- Ⓒ Верхний ввод ответвителя (СМУ)
- Ⓓ Ответвительная коробка (РАС-МК-BC(B))
- Ⓔ Внутренний блок City Multi\*
- Ⓕ Внутренний блок серии M, S, P, блок Cylinder или блок Hydrobox
- \* Внутренние приборы типов PKFY-P-VBM, PFFY-P-VKM и PFFY-P-VL\* не могут быть использованы в смешанной системе.

Допускаемая длина (одностор.)	Общая длина трубопровода	$d1 + c1 + c2 + b1 + b2 + a1 + a2 + a3 + a4 + a5 + a6 + a7 + a8 + a9 + a10 + a11 \leq 240 \text{ м} *3$
	Максимальная длина трубопровода (L1)	$d1 + c1 + a1 \leq 85 \text{ м}$
	Максимальная длина трубопровода через ответвительную коробку (L2)	$d1 + c2 + b2 + a11 \leq 80 \text{ м}$
	Длина трубопровода между наружным блоком и ответвительными коробками	$d1 + c2 + b1 + b2 \leq 55 \text{ м}$
	Максимальная длина трубопровода от первого соединения	$c2 + b2$ или $c1 + a1 \leq 30 \text{ м}$
	Максимальная длина трубопровода после ответвительной коробки	$a11 \leq 25 \text{ м}$
	Максимальное расстояние дальней ответвительной коробки от наружного блока	$d1 + c2 + b2 \leq 55 \text{ м}$
Общая длина трубопровода между ответвительными коробками и внутренними блоками	$a4 + a5 + a6 + a7 + a8 + a9 + a10 + a11 \leq 95 \text{ м}$	
Допускаемая разница по высоте (одностор.)	Во внутренней/наружной секции (H) *2	$H \leq 50 \text{ м}$ (если наружный блок расположен выше внутреннего) $H \leq 40 \text{ м}$ (если наружный блок расположен ниже внутреннего)
	В секции ответвительной коробки/внутреннего блока (h1 + h2)	$h1 + h2 \leq 15 \text{ м}$
	В каждом ответвительном блоке (h1)	$h2 \leq 15 \text{ м}$
	В каждом внутреннем блоке (h3)	$h3 \leq 12 \text{ м}$
Количество изгибов трубопровода		$ d1 + c1 + a1 ,  d1 + c1 + a2 ,  d1 + c1 + a3 ,  d1 + c2 + b1 + a4 ,  d1 + c2 + b1 + a5 ,  d1 + c2 + b1 + a6 ,  d1 + c2 + b1 + a7 ,  d1 + c2 + b1 + a8 ,  d1 + c2 + b2 + a9 ,  d1 + c2 + b2 + a10 ,  d1 + c2 + b2 + a11  \leq 15$

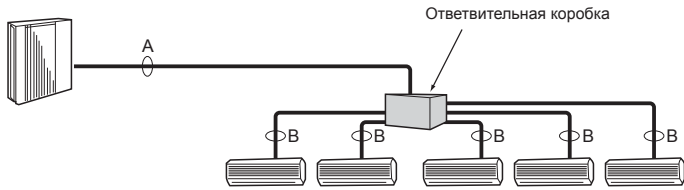
\*2: Ответвительная коробка должна располагаться в пределах уровня между наружным блоком и внутренними блоками.

\*3: Когда подключен блок Cylinder или блок Hydrobox, максимальная длина трубопровода составляет 150 м.

## 4. Прокладка труб хладагента

### ■ При использовании ответвительной коробки с 1 ответвлением

Используется фланцевое соединение. (Без пайки)



### ■ При использовании ответвительных коробок с 2 ответвлениями

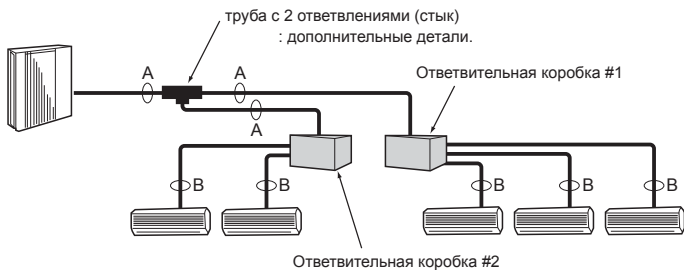


Fig. 4-4

(1) Размер клапана для наружного прибора

Для жидкости	ø9,52 мм
Для газа	ø15,88 мм

(2) Размер клапана для ответвительной коробки

ПРИБОР	Жидкостная труба	Газовая труба	Диаметр
A ПРИБОР	Жидкостная труба	Газовая труба	ø6,35 мм / ø9,52 мм
	Жидкостная труба	Газовая труба	ø6,35 мм / ø9,52 мм
B ПРИБОР	Жидкостная труба	Газовая труба	ø6,35 мм / ø9,52 мм
	Жидкостная труба	Газовая труба	ø6,35 мм / ø9,52 мм
C ПРИБОР	Жидкостная труба	Газовая труба	ø6,35 мм / ø9,52 мм
	Жидкостная труба	Газовая труба	ø6,35 мм / ø9,52 мм
D ПРИБОР	Жидкостная труба	Газовая труба	ø6,35 мм / ø9,52 мм
	Жидкостная труба	Газовая труба	ø6,35 мм / ø12,7 мм

\* тип с 3 ответвлениями: только прибор A, B, C

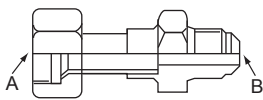


Fig. 4-5

Формула преобразования

1/4 F	ø6,35
3/8 F	ø9,52
1/2 F	ø12,7
5/8 F	ø15,88
3/4 F	ø19,05



Fig. 4-6

## 4.3. Выбор размера труб

### 4.3.1. Подключение без использования ответвительной коробки

		Внутренний прибор		Наружный прибор
		15-50	63-140	112-140
Сторона газа	Размер трубы (мм)	ø12,7	ø15,88	ø15,88
Сторона жидкости	Размер трубы (мм)	ø6,35	ø9,52	ø9,52

### 4.3.2. Подключение с использованием ответвительной коробки (Fig. 4-4)

	A	B
Жидкость (мм)	ø9,52	Размер трубопроводного соединения отличается в зависимости от типа и мощности внутренних приборов. Подберите одинаковые трубопроводные соединения ответвительной коробки и внутреннего прибора.
Газ (мм)	ø15,88	Если размер трубопроводного соединения ответвительной коробки не совпадает с размером трубопроводного соединения внутреннего прибора, воспользуйтесь дополнительными стыками (деформированными) с различными диаметрами, чтобы подсоединить их к стороне ответвительной коробки. (Подсоедините деформированный стык непосредственно к стороне ответвительной коробки.)

### Стык с различными диаметрами (дополнительные детали) (Fig. 4-5)

Наименование модели	Диаметр подсоединяемых труб	Диаметр A	Диаметр B
	мм	мм	мм
MAC-A454JP	ø9,52 → ø12,7	ø9,52	ø12,7
MAC-A455JP	ø12,7 → ø9,52	ø12,7	ø9,52
MAC-A456JP	ø12,7 → ø15,88	ø12,7	ø15,88
PAC-493PI	ø6,35 → ø9,52	ø6,35	ø9,52
PAC-SG76RJ-E	ø9,52 → ø15,88	ø9,52	ø15,88

### Стык с различными диаметрами (дополнительные детали) (Fig. 4-6)

Наименование модели	Диаметр подсоединяемых труб	Наружный Диаметр A	Внутренний Диаметр B
	мм	мм	мм
PAC-SG78RJB-E	ø9,52 → ø12,7	ø9,52	ø12,7
PAC-SG79RJB-E	ø12,7 → ø9,52	ø12,7	ø9,52
PAC-SG80RJB-E	ø12,7 → ø15,88	ø12,7	ø15,88
PAC-SG77RJB-E	ø6,35 → ø9,52	ø6,35	ø9,52
PAC-SG76RJB-E	ø9,52 → ø15,88	ø9,52	ø15,88

### Подготовка трубопровода

① В таблице ниже приводятся спецификации имеющихся в продаже труб.

Наружный диаметр	Толщина изоляции	Изоляционный материал
мм	мм	
6,35	8	Теплостойкий пенопласт, удельная масса 0,045
9,52	8	
12,7	8	
15,88	8	

② Убедитесь, что 2 трубы хладагента имеют изоляцию, чтобы предотвратить конденсацию.

③ Радиус изгиба трубы для хладагента должен быть не менее 100 мм.

### ⚠ Осторожно:

Обязательно используйте изоляцию указанной толщины. Чрезмерная толщина может привести к неправильному монтажу внутреннего прибора и ответвительной коробки, а недостаточная толщина может привести к стеканию росы.

труба с 2 ответвлениями (Стык): Дополнительные детали (B в зависимости от метода подсоединения, Вы можете выбрать наиболее подходящую деталь.)

Наименование модели	Метод подсоединения
MSDD-50AR-E	фланец
MSDD-50BR-E	пайка

### ■ Процедура монтажа (труба с 2 ответвлениями (Стык))

См. Руководства по монтажу MSDD-50AR-E и MSDD-50BR-E.

### ■ Размер трубы (Наружный прибор - Ответвительная коробка)

	A Труба для жидкости	B Труба для газа
PUMY-P112-140	ø9,52	ø15,88

### ■ Размер трубы (Ответвительная коробка - Внутренний прибор) B в случае внутреннего прибора серии M или серии S \*1

Серия внутренних блоков	Номер модели	A Труба для жидкости	B Труба для газа
Серия M или серия S	15~42	ø6,35	ø9,52
	50	ø6,35	ø12,7
	60	ø6,35	ø15,88
	71~80	ø9,52	ø15,88
Серия P	35, 50 *2	ø6,35	ø12,7
	60~100	ø9,52	ø15,88
Блок Cylinder	-	ø9,52	ø15,88
Блок Hydrobox			

\*1 Согласование подключаемого внутреннего прибора зависит от района/области/страны.

\*2 При использовании внутренних приборов типов 35, 50 серии P, используйте конусную гайку, прилагаемую к внутреннему прибору. Не используйте конусную гайку из комплекта принадлежностей к внутреннему прибору. Если она используется, может возникнуть утечка газа или даже экстракция трубы.

## 4. Прокладка труб хладагента

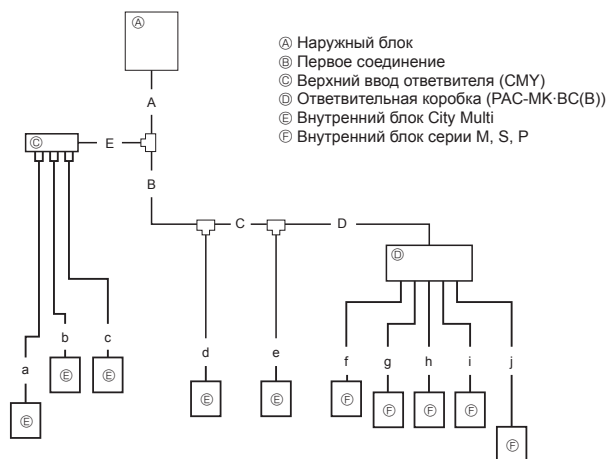


Fig. 4-7

### 4.3.3. Смешанная система

(Внутренние блоки City Multi и внутренние блоки серии M, S, P через ответвительную коробку) (Fig. 4-7)

#### Размер трубы

A, B, C, D, E

	A Труба для жидкости	B Труба для газа
PUMY-P112-140	ø9,52	ø15,88

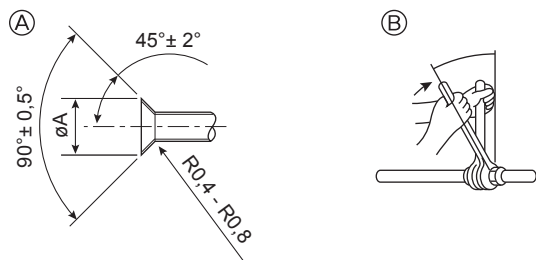
a, b, c-j

Серия внутренних блоков	Номер модели	A Труба для жидкости	B Труба для газа
City Multi	15~50	ø6,35	ø12,7
	63~140	ø9,52	ø15,88
Серия M или серия S	15~42	ø6,35	ø9,52
	50	ø6,35	ø12,7
	60	ø6,35	ø15,88
Серия P	71~80	ø9,52	ø15,88
	35, 50 *1	ø6,35	ø12,7
	60~100	ø9,52	ø15,88
Блок Cylinder Блок Hydrobox	—	ø9,52	ø15,88

Соединение с 2 ответвлениями	СМУ-Y62-G-E
Верхний ввод с 4 ответвлениями	СМУ-Y64-G-E
Верхний ввод с 8 ответвлениями	СМУ-Y68-G-E

\*1 При использовании внутренних приборов типов 35, 50 серии P, используйте конусную гайку, прилагаемую к внутреннему прибору. Не используйте конусную гайку из комплекта принадлежностей к внутреннему прибору. Если она используется, может возникнуть утечка газа или даже экстракция трубы.

## 4. Прокладка труб хладагента



- Ⓐ Раструбный стык - размеры  
 Ⓑ Момент затяжки гайки раструбного стыка

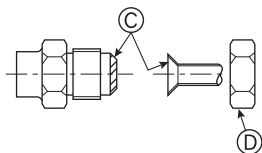


Fig. 4-8

Ⓐ (Fig. 4-8)

Медная труба O.D. (мм)	Размеры раструба, диаметр $\varnothing A$ (мм)
$\varnothing 6,35$	8,7 - 9,1
$\varnothing 9,52$	12,8 - 13,2
$\varnothing 12,7$	16,2 - 16,6
$\varnothing 15,88$	19,3 - 19,7

Ⓑ (Fig. 4-8)

Медная труба O.D. (мм)	Гайка раструбного стыка O.D. (мм)	Момент затяжки (Н·м)
$\varnothing 6,35$	17	14 - 18
$\varnothing 6,35$	22	34 - 42
$\varnothing 9,52$	22	34 - 42
$\varnothing 12,7$	26	49 - 61
$\varnothing 12,7$	29	68 - 82
$\varnothing 15,88$	29	68 - 82
$\varnothing 15,88$	36	100 - 120

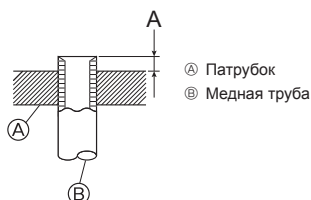
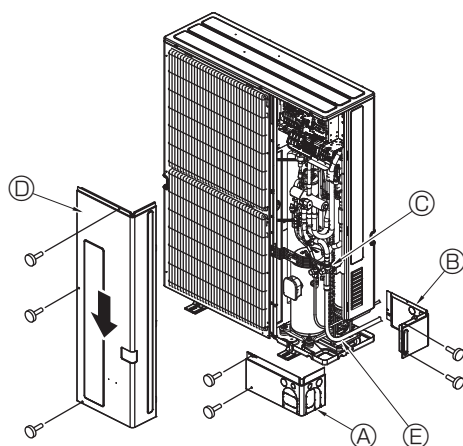


Fig. 4-9

- Ⓐ Патрубок  
 Ⓑ Медная труба



- Ⓐ Передняя крышка трубопровода  
 Ⓑ Крышка трубопровода  
 Ⓒ Запорный кран  
 Ⓓ Эксплуатационная панель  
 Ⓔ Радиус изгиба: 100 - 150 мм

Fig. 4-10

### 4.4. Соединение труб (Fig. 4-8)

- Примите необходимые меры по изоляции и предотвращению конденсации, чтобы избежать падения капель с трубопровода хладагента (трубопровод жидкости/газа).
- Установите дополнительную изоляцию в зависимости от среды установки трубопровода хладагента, чтобы избежать конденсации на поверхности изоляционного материала (теплостойкость изоляционного материала: 120 °C, толщина: 15 мм или более).
  - \* Если трубопровод хладагента используется в местах, подверженных воздействию высокой температуры и высокой влажности, например на мансарде, может потребоваться дополнительная изоляция.
- Чтобы изолировать трубопровод хладагента, нанесите теплостойкий вспененный полиэтилен между внутренним прибором и изоляционным материалом, а также на сетку между слоями изоляционного материала, заполнив все промежутки. (Образование конденсата на трубопроводе может привести к конденсации в помещении или ожогам при контакте с трубопроводом).
- Внутренняя часть дренажной трубы должна быть обернута в пенополиэтиленовый изолирующий материал (удельный вес 0,03; толщина 9 мм или более).
- Нанесите тонкий слой масла хладагента на контактную поверхность труб и соединений перед тем, как затягивать гайку с фланцем. Ⓐ
- Для затягивания трубных соединений используйте два гаечных ключа. Ⓑ
- Используйте детектор утечки или мыльный раствор для проверки утечки газа после завершения всех соединений.
- Нанесите машинное масло охлаждения на всю поверхность области присоединения муфты. Ⓒ
- Используйте гайки раструбного стыка для следующего размера трубы. Ⓓ
- При изгибе труб будьте осторожны, чтобы не допустить их поломки. Рекомендуются радиусы изгиба от 100 мм до 150 мм.
- Удостоверьтесь, что трубы не соприкасаются с компрессором. Такое соприкосновение может вызывать лишний шум или вибрацию.

- ① Соединение труб производится, начиная от внутреннего прибора. Хомуты на муфтах следует затягивать с помощью ключа с регулируемым усилием.
- ② Установите трубы для жидкости и для газа и нанесите тонкий слой масла охлаждения (на соответствующее место).
- В случае использования обычного уплотнения трубы, обратитесь к таблице 3 для справки о соединении труб для хладагента R410A. Для проверки размеров A можно использовать шаблон подгонки размера.

#### ⚠ Предупреждение:

При установке прибора надежно подсоедините трубы подачи охлаждающей жидкости до запуска компрессора.

\* Информацию о подсоединении КОМПЛЕКТА ДЛЯ ПОДКЛЮЧЕНИЯ (PAC-LV11M-J) см. в руководстве по установке КОМПЛЕКТА ДЛЯ ПОДКЛЮЧЕНИЯ.

Таблица 3 (Fig. 4-9)

Медная труба O.D. (мм)	A (мм)	
	Инструмент раструбного стыка для R410A	Инструмент раструбного стыка для R22-R407C
$\varnothing 6,35$	0 - 0,5	1,0 - 1,5
$\varnothing 9,52$	0 - 0,5	1,0 - 1,5
$\varnothing 12,7$	0 - 0,5	1,0 - 1,5
$\varnothing 15,88$	0 - 0,5	1,0 - 1,5
$\varnothing 19,05$	0 - 0,5	1,0 - 1,5

### 4.5. Прокладка труб хладагента (Fig. 4-10)

Снимите эксплуатационную панель Ⓓ (три винта), а также переднюю крышку трубопровода Ⓐ (два винта) и заднюю крышку трубопровода Ⓑ (два винта).

- ① Подсоедините трубопроводы хладагента к устройству, предназначенному для установки внутри/вне помещения, при полностью закрытом запорном вентиле устройства для установки вне помещения.
- ② Произведите вакуумную продувку воздуха из внутреннего прибора и труб соединения.
- ③ После соединения труб хладагента проверьте соединенные трубы и внутренний прибор на наличие утечек газа. (См. 4.6. "Метод проверки герметичности трубопровода хладагента".)
- ④ Освободите трубопроводы хладагента от газа через служебное отверстие запорных кранов жидкости и газа. Затем полностью откройте запорные краны (и жидкости, и газа). После этого трубопроводы хладагента внутреннего и наружного приборов будут полностью соединены.
  - Если оставить закрытыми запорные краны и включить прибор, это приведет к повреждению компрессора и крана контроля.
  - Проверьте места соединения труб наружного прибора на наличие утечек с помощью детектора утечки или мыльной воды.
  - Не используйте хладагент из прибора для удаления воздуха из трубопроводов хладагента.
  - По окончании всех операций с кранами закрутите колпачки кранов до соответствующего усилия: от 20 до 25 Н·м (от 200 до 250 кгс·см). Неправильная замена и закрытие колпачков могут привести к утечке хладагента. Кроме того, не повредите внутренние детали колпачков кранов, поскольку они служат уплотнителями, предотвращающими утечку хладагента.
- ⑤ Для предотвращения пропитывания изоляционного материала на торцах труб водой произведите уплотнение соединений трубопроводов герметиком.

## 4. Прокладка труб хладагента

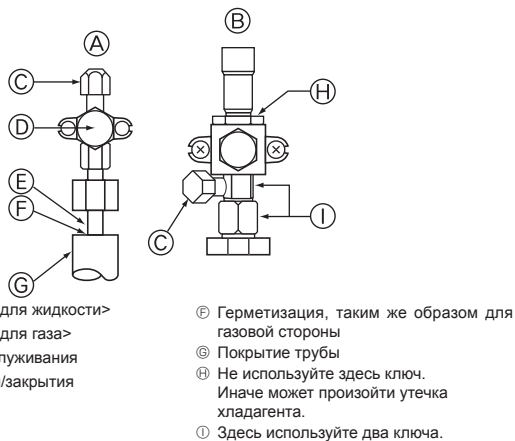


Fig. 4-11

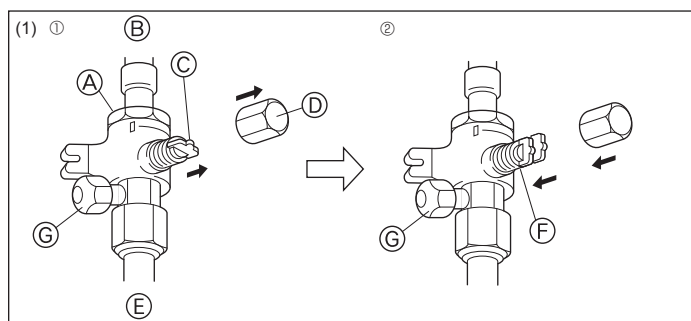


Fig. 4-12

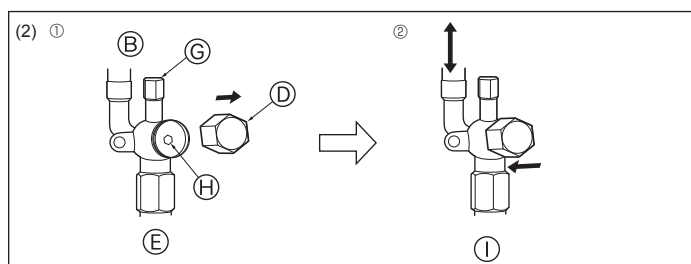


Fig. 4-13

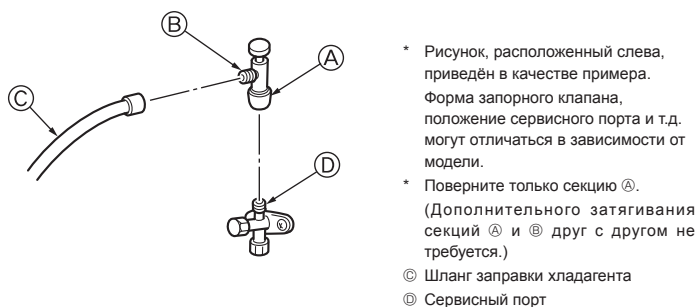


Fig. 4-14

- \* Рисунок, расположенный слева, приведён в качестве примера. Форма запорного клапана, положение сервисного порта и т.д. могут отличаться в зависимости от модели.
- \* Поверните только секцию A. (Дополнительного затягивания секций A и B друг с другом не требуется.)
- Ⓒ Шланг заправки хладагента
- Ⓓ Сервисный порт

## 4.6. Метод проверки герметичности трубопровода хладагента

- (1) Подсоедините проверочные инструменты.
  - Убедитесь в том, что запорные краны A и B закрыты, и не открывайте их.
  - Подайте давление в трубопроводы хладагента через служебное отверстие C запорного крана жидкости A и запорного крана газа B.
- (2) Не следует сразу подавать указанное давление полностью; увеличивайте давление постепенно.
  - ① Увеличьте давление до 0,5 Мпа (5 кгс/см<sup>2</sup>G), подождите пять минут и удостоверьтесь, что давление не снизилось.
  - ② Увеличьте давление до 1,5 МПа (15 кгс/см<sup>2</sup>G), подождите пять минут и удостоверьтесь, что давление не снизилось.
  - ③ Увеличьте давление до 4,15 МПа (41,5 кгс/см<sup>2</sup>G) и измерьте температуру окружающего воздуха и давление хладагента.
- (3) Если указанное давление держится в течение приблизительно одного дня и не уменьшается, то трубы выдержали испытание и утечек нет.
  - При изменении температуры окружающего воздуха на 1 °C давление изменяется приблизительно на 0,01 Мпа (0,1 кгс/см<sup>2</sup>G). Произведите необходимые подстройки.
- (4) Если на этапах (2) или (3) наблюдается снижение давления, происходит утечка газа. Найдите источник утечки газа.

## 4.7. Способ открытия запорного крана

- (1) Сторона с газом (Fig. 4-12)
    - ① Снимите колпачок, потяните ручку на себя и поверните на 1/4 оборота против часовой стрелки для открытия.
    - ② Убедитесь в том, что запорный кран полностью открыт, надавите на ручку и поверните колпачок в первоначальное положение.
  - (2) Сторона с жидкостью (Fig. 4-13)
    - ① Снимите колпачок и поверните шток золотника против часовой стрелки до упора, используя для этой цели 4 мм шестиугольный гаечный ключ. Прекратите поворачивать шток в момент, когда тот достигнет стопора. (⌀6,35: Приблизительно 4,5 оборотов) (⌀9,52: Приблизительно 10 оборотов)
    - ② Убедитесь в том, что запорный кран полностью открыт, надавите на ручку и поверните колпачок в первоначальное положение.
- |                            |                                 |
|----------------------------|---------------------------------|
| A Кран                     | F Положение "открыто"           |
| B Со стороны блока         | G Стык для техобслуживания      |
| C Ручка                    | H Отверстие под ключ            |
| D Колпачок                 | I Направление потока хладагента |
| E Со стороны местной трубы |                                 |

- Трубы хладагента имеют защитную изоляцию
- Трубы могут быть обернуты защитной изоляцией до диаметра  $\varnothing 90$  до или после соединения. Вырежьте кусок в покрытии трубы по канавке и оберните трубы.
- Зазор входа трубы
- Используйте замазку или герметик, чтобы загерметизировать входное отверстие для трубы и ликвидировать все щели. (Если имеются незакрытые отверстия, прибор может издавать шум, а также в него могут проникнуть вода и пыль, что может привести к поломке.)

## Меры предосторожности при использовании клапана заправки хладагента (Fig. 4-14)

- Не затягивайте сервисный порт слишком сильно при установке, в противном случае возможна деформация сердечника клапана и его ослабление, что может стать причиной утечки газа.
- После установки секции B в необходимое положение, поверните только секцию A и затяните ее.
- Дополнительного затягивания секций A и B друг с другом после затягивания секции A не требуется.

## 4. Прокладка труб хладагента

### 4.8. Дополнительный заряд хладагента

#### Дополнительный заряд хладагента

В заводской комплект поставки внешнего прибора не входит хладагент для удлиненного трубопровода хладагента дополнительным количеством хладагента. Кроме того, для выполнения технического обслуживания укажите диаметр и длину каждой трубы для жидкости и дополнительное количество хладагента в полях таблички количества хладагента на внешнем приборе.

#### Расчет дополнительной заправки хладагента

- Вычислите дополнительное количество хладагента, используя диаметр и длину дополнительных труб.
- При расчетах используйте 11,2 кВт для мощности блока Cylinder или блока Hydrobox.
- Вычислите дополнительное количество хладагента, следуя описанной справа процедуре, и добавьте вычисленное количество хладагента.
- Для измеренного количества дополнительного хладагента, меньшего 0,1 кг, округлите результат в большую сторону.  
(Например, если результат расчета составляет 6,01 кг, округлите его до 6,1 кг).

<Дополнительная заправка>

#### Расчет количества хладагента

<table border="1"> <tr> <td>Размер трубы Труба для жидкости ø6,35</td> <td>+</td> <td> <table border="1"> <tr> <td>Размер трубы Труба для жидкости ø9,52</td> <td>+</td> <td> <table border="1"> <tr> <td>Общая мощность подключенных внутренних приборов</td> <td>Количество для внутренних приборов</td> </tr> <tr> <td>~ 8,0 кВт</td> <td>1,5 кг</td> </tr> <tr> <td>8,1 ~ 16,0 кВт</td> <td>2,5 кг</td> </tr> <tr> <td>16,1 кВт ~</td> <td>3,0 кг</td> </tr> </table> </td> </tr> </table> </td> </tr> <tr> <td>(м) × 19,0 (г/м)</td> <td></td> <td>(м) × 50,0 (г/м)</td> <td></td> </tr> </table>	Размер трубы Труба для жидкости ø6,35	+	<table border="1"> <tr> <td>Размер трубы Труба для жидкости ø9,52</td> <td>+</td> <td> <table border="1"> <tr> <td>Общая мощность подключенных внутренних приборов</td> <td>Количество для внутренних приборов</td> </tr> <tr> <td>~ 8,0 кВт</td> <td>1,5 кг</td> </tr> <tr> <td>8,1 ~ 16,0 кВт</td> <td>2,5 кг</td> </tr> <tr> <td>16,1 кВт ~</td> <td>3,0 кг</td> </tr> </table> </td> </tr> </table>	Размер трубы Труба для жидкости ø9,52	+	<table border="1"> <tr> <td>Общая мощность подключенных внутренних приборов</td> <td>Количество для внутренних приборов</td> </tr> <tr> <td>~ 8,0 кВт</td> <td>1,5 кг</td> </tr> <tr> <td>8,1 ~ 16,0 кВт</td> <td>2,5 кг</td> </tr> <tr> <td>16,1 кВт ~</td> <td>3,0 кг</td> </tr> </table>	Общая мощность подключенных внутренних приборов	Количество для внутренних приборов	~ 8,0 кВт	1,5 кг	8,1 ~ 16,0 кВт	2,5 кг	16,1 кВт ~	3,0 кг	(м) × 19,0 (г/м)		(м) × 50,0 (г/м)	
Размер трубы Труба для жидкости ø6,35	+	<table border="1"> <tr> <td>Размер трубы Труба для жидкости ø9,52</td> <td>+</td> <td> <table border="1"> <tr> <td>Общая мощность подключенных внутренних приборов</td> <td>Количество для внутренних приборов</td> </tr> <tr> <td>~ 8,0 кВт</td> <td>1,5 кг</td> </tr> <tr> <td>8,1 ~ 16,0 кВт</td> <td>2,5 кг</td> </tr> <tr> <td>16,1 кВт ~</td> <td>3,0 кг</td> </tr> </table> </td> </tr> </table>	Размер трубы Труба для жидкости ø9,52	+	<table border="1"> <tr> <td>Общая мощность подключенных внутренних приборов</td> <td>Количество для внутренних приборов</td> </tr> <tr> <td>~ 8,0 кВт</td> <td>1,5 кг</td> </tr> <tr> <td>8,1 ~ 16,0 кВт</td> <td>2,5 кг</td> </tr> <tr> <td>16,1 кВт ~</td> <td>3,0 кг</td> </tr> </table>	Общая мощность подключенных внутренних приборов	Количество для внутренних приборов	~ 8,0 кВт	1,5 кг	8,1 ~ 16,0 кВт	2,5 кг	16,1 кВт ~	3,0 кг					
Размер трубы Труба для жидкости ø9,52	+	<table border="1"> <tr> <td>Общая мощность подключенных внутренних приборов</td> <td>Количество для внутренних приборов</td> </tr> <tr> <td>~ 8,0 кВт</td> <td>1,5 кг</td> </tr> <tr> <td>8,1 ~ 16,0 кВт</td> <td>2,5 кг</td> </tr> <tr> <td>16,1 кВт ~</td> <td>3,0 кг</td> </tr> </table>	Общая мощность подключенных внутренних приборов	Количество для внутренних приборов	~ 8,0 кВт	1,5 кг	8,1 ~ 16,0 кВт	2,5 кг	16,1 кВт ~	3,0 кг								
Общая мощность подключенных внутренних приборов	Количество для внутренних приборов																	
~ 8,0 кВт	1,5 кг																	
8,1 ~ 16,0 кВт	2,5 кг																	
16,1 кВт ~	3,0 кг																	
(м) × 19,0 (г/м)		(м) × 50,0 (г/м)																

#### Поставляемое с завода количество хладагента

Прилагаемое количество хладагента
4,8 кг

<Пример>

Модель наружного прибора : P125	A : ø9,52 30 м	} При условиях, указанных ниже:
Внутренний прибор 1 : P63 (7,1 кВт)	a : ø9,52 15 м	
2 : P40 (4,5 кВт)	b : ø6,35 10 м	
3 : P25 (2,8 кВт)	c : ø6,35 10 м	
4 : P20 (2,2 кВт)	d : ø6,35 20 м	

Общая длина каждой линии жидкости равняется:

$$\text{ø9,52 : } A + a = 30 + 15 = 45 \text{ м}$$

$$\text{ø6,35 : } b + c + d = 10 + 10 + 20 = 40 \text{ м}$$

Общая мощность подключенных внутренних приборов:

$$7,1 + 4,5 + 2,8 + 2,2 = 16,6$$

<Пример расчета>

Дополнительная заправка хладагента

$$40 \times \frac{19,0}{1000} + 45 \times \frac{50,0}{1000} + 3,0 = 6,1 \text{ кг (округленно)}$$

## 5. Дренажные трубы

#### Соединение дренажных труб наружного прибора

При необходимости дренажа используйте сливное гнездо или дренажный поддон (дополнительно).

	P112-140
Сливное гнездо	PAC-SG61DS-E
Дренажный поддон	PAC-SH97DP-E

## 6. Электрические работы

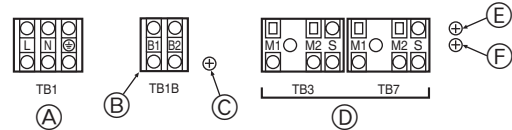
### 6.1. Осторожно

- Следуйте правилам техники безопасности, официально предписанным для работы с электрооборудованием, электропроводки и требованиям организации по электроснабжению.
- Проводка для управления (называемая ниже "линией передачи") должна отстоять на 5 см или более от проводки источника питания с тем, чтобы на нее не влиял электрический шум от проводки источника питания. (Не вставляйте линию передачи и кабель источника питания в один и тот же кабелепровод.)
- Обеспечьте правильное заземление внешнего прибора.
- Примите во внимание проводку коробки электродеталей внутреннего и внешнего приборов, поскольку коробку иногда приходится снимать во время работ по техобслуживанию.
- Никогда не подсоединяйте сетевой источник питания к колодке концевиков линии передачи. В противном случае произойдет подгорание электрических элементов.
- Используйте 2-жильный экранированный кабель для линии передачи. Если линии передачи различных систем включаются в один и тот же многожильный кабель, это поведет к ухудшению приема и передачи и неустойчивой работе.
- Только специально обозначенная линия передачи может быть подсоединена к блоку концевиков для передачи к внешнему прибору.  
(Линия передачи, подсоединяемая к внутреннему прибору: Блок концевиков ТВ3 для линии передачи. Остальное: блок концевиков ТВ7 для централизованного управления.)  
При неправильном подсоединении система не работает.
- В случае соединения с регулятором высшего класса или для обеспечения групповой работы различных систем хладагента необходима линия управления для передачи между отдельными внешними приборами.  
Подсоедините эту линию управления между блоками концевиков для централизованного управления. (2-жильная линия без полярности.)  
При осуществлении групповой работы в различных системах хладагента без подсоединенного регулятора высшего класса, замените вставку соединителя закорачивания с CN41 одного внешнего прибора на CN40.
- Группа устанавливается при помощи дистанционного управления.
- Информацию о подсоединении КОМПЛЕКТА ДЛЯ ПОДКЛЮЧЕНИЯ (PAC-LV11M-J) к внутреннему прибору серии M см. в руководстве по установке КОМПЛЕКТА ДЛЯ ПОДКЛЮЧЕНИЯ.
- При подключении ответвительной коробки не забудьте включить внутренние приборы и ответвительную коробку перед включением наружного прибора.

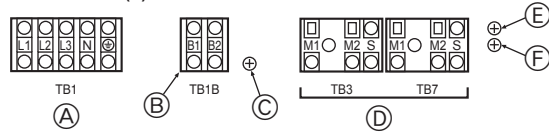


## 6. Электрические работы

<PUMY-P-VKM>



<PUMY-P-YKM(E)>



- А Источник питания  
 Б Источник питания для разветвительной коробки  
 В Навинтите на распределительную коробку деталей  
 Д Линия передачи  
 Е Клемма заземления для блока концевика (TB3)  
 Ф Навинтите на распределительную коробку деталей

Fig. 6-1

### 6.2. Блок управления и положение проводки

(Fig. 6-1)

- Соедините линию передачи внутреннего прибора к клеммной колодке передачи (TB3) или соедините провода между наружными приборами или провода центральной системы управления к клеммной колодке центральной системы управления (TB7).  
При использовании экранированного провода подключите экранированный провод заземления линии передачи внутреннего прибора к винту (E) и подключите экранированный провод заземления линии между наружными приборами и линией передачи центральной системы управления к экранированной клемме (S) клеммной колодки центральной системы управления (TB7). Кроме того, при замене соединителя питания CN41 в наружном приборе на соединитель CN40 экранированную клемму (S) клеммной колодки (TB7) центральной системы управления также следует подключить к винту (E), используя прилагающийся провод заземления.
- Клеммная колодка (TB1B) предназначена для подачи питания к ответвительной коробке (220 ~ 240 В пер. тока, макс. 6 А).
- Закрепите провода источника питания на коробке концевых соединений с помощью буферной втулки для прочности на разрыв (соединитель PG или тому подобный).

**⚠ Осторожно:**

Никогда не подключайте линию передачи внутреннего прибора или центральной системы управления к этой клеммной колодке (TB1B). Подключение линий передачи может привести к повреждению клеммной колодки внутреннего прибора или клеммной колодки центральной системы управления.

### 6.3. Прокладка кабелей передачи

① Типы кабелей управления

- Прокладка кабелей передачи
  - Типы кабелей передачи: экранированный провод CVVS, CPEVS или MVVS
  - Диаметр кабеля: Свыше 1,25 мм<sup>2</sup>
  - Максимальная длина проводки: В пределах 200 м
- Кабели дистанционного управления M-NET

Тип кабеля дистанционного управления	Экранированный провод CVVS, CPEVS или MVVS
Диаметр кабеля	0,5 - 1,25 мм <sup>2</sup>
Замечания	При превышении длины 10 м используйте кабель с такими же техническими характеристиками, как у проводки для линии передачи.

3. Кабели дистанционного управления MA

Тип кабеля дистанционного управления	2-жильный кабель в оболочке (неэкранированный) CVV
Диаметр кабеля	0,3 - 1,25 мм <sup>2</sup> (0,75 - 1,25 мм <sup>2</sup> )*
Замечания	В пределах 200 м

\* Подключено с простым устройством дистанционного управления.

② Примеры проводки

- Название регулятора, его символ и допустимое число регуляторов

Название	Символ	Допускаемое число регуляторов	
Регулятор внешнего прибора	OC	-	
Регулятор внутренних приборов	M-IC	PUMY-P112	1 - 9 приборов на 1 OC *1
		PUMY-P125	1 - 10 приборов на 1 OC *1
	A-IC	PUMY-P140	1 - 12 приборов на 1 OC *1
		PUMY-P125 PUMY-P140	2 - 8 приборов на 1 OC *1
Ответвительная коробка	-	-	0 - 2 приборов на 1 OC
Дистанционный блок управления	RC	M-NET RC *2	Максимум 12 пультов дистанционного управления на один контроллер внешнего прибора (Подключение невозможно при использовании ответвительной коробки.)
		MA-RC	Максимум 2 на группу

Примечание:

- Количество подключаемых приборов может быть ограничено вследствие определенных условий, таких как производительность внутреннего блока или эквивалентное энергопотребление каждого прибора.
- Нельзя использовать контроллер Lossnay (PZ-61DR-E, PZ-43SMF-E, PZ-52SF-E, PZ-60DR-E).

### Пример работы заземленной системы с многочисленными внешними приборами (подсоединения и провода прикреплены как необходимо)

<Примеры проводки кабелей передачи: Без использования ответвительной коробки>

■ См. Fig. 6-6 из Fig. 6-2.

<Технология монтажа электропроводки и настройки адресов: без системы ответвительной коробки>

- Всегда используйте экранированные провода в соединениях между внешним прибором (OC) и внутренним прибором (M-IC).
- Используйте фидерную проводку для подключения клемм M1 и M2 и клеммы заземления на клеммной колодке кабеля передачи (TB3) каждого наружного прибора (OC) к клеммам M1, M2 и S на клеммной колодке кабеля передачи внутреннего прибора (M-IC).
- Соедините концевики 1 (M1) и 2 (M2) на блоке концевиков кабеля передачи внутреннего прибора (M-IC), который имеет самый недавний адрес в этой же группе, к блоку концевиков на дистанционном блоке управления (M-NET RC).
- Соедините между собой клеммы M1, M2 и S на клеммной колодке центрального регулятора (TB7) наружного прибора (OC).
- Соединительная перемычка CN41 на панели управления не заменяется.
- Подсоедините экранированный провод заземления линии передачи внутренних приборов к клемме (S) клеммной колодки (TB3). Кроме того, подсоедините клемму (S) к винту (E или E), используя прилагающийся провод заземления.  
Подсоедините экранированный провод заземления линии между наружными приборами и линией передачи центральной системы управления к экранированной клемме (S) клеммной колодки (TB7).
- Установите выключатель адресной настройки, как показано ниже.

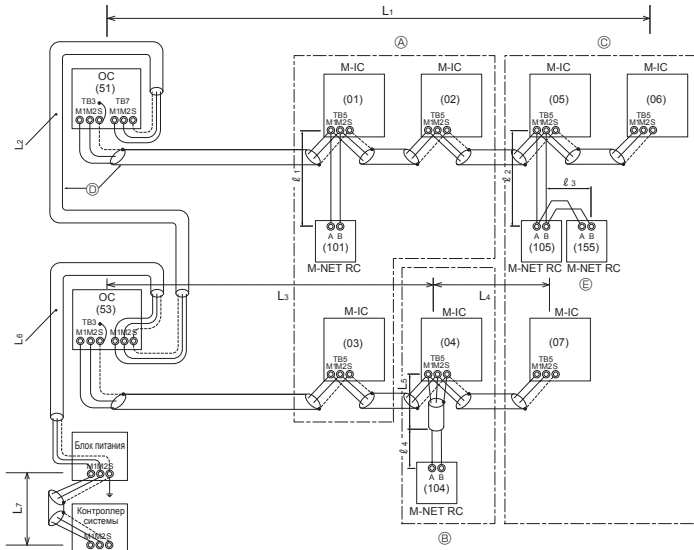
Прибор	Диапазон	Метод настройки
M-IC (Главный)	01 - 50	Используйте самый недавний адрес в одной и той же группе внутренних приборов (IC)
M-IC (Дополнительный)	01 - 50	Используйте адрес, помимо адреса IC (Главного) из приборов в одной и той же группе внутренних приборов. Он должен быть последовательным с IC (Главного)
Внешний прибор	51 - 100	Используйте самый недавний адрес из всех внутренних приборов в той же системе хладагента + 50 * Если адрес установлен как "01-50", он автоматически меняется на "100".
M-NET R/C (Главный)	101 - 150	Настройте адрес IC (Главного) + 100
M-NET R/C (Дополнительный)	151 - 200	Настройте адрес IC (Главного) + 150
MA R/C	-	Необходимая настройка адреса (Необходимая настройка - установка "главный/подчиненный")

- Операция групповой настройки среди некоторого числа внутренних приборов выполняется дистанционным блоком управления (M-NET RC) после включения электропитания. Более подробная информация приводится в руководстве по установке дистанционного регулятора.
  - При подключении блока PWFY
    - Запрещается выполнять групповые настройки для блока PWFY и внутренних блоков.
    - Блок PWFY и блок Lossnay нельзя настраивать таким образом, чтобы они работали одновременно.
    - Используйте пульт дистанционного управления WMA для блока PWFY.
 Подробные сведения см. в руководстве по установке блока PWFY.
  - Подключение блока Cylinder или блока Hydrobox
    - Не допускается групповая настройка для блока Cylinder или блока Hydrobox и других внутренних блоков.

<Технология монтажа электропроводки и настройки адресов: включая систему ответвительной коробки>  
См. Руководство по установке ответвительной коробки.

## 6. Электрические работы

<Пример проводки кабеля передачи: Без использования ответвительной коробки>  
 ■ Контроллер ДУ “М-NET”



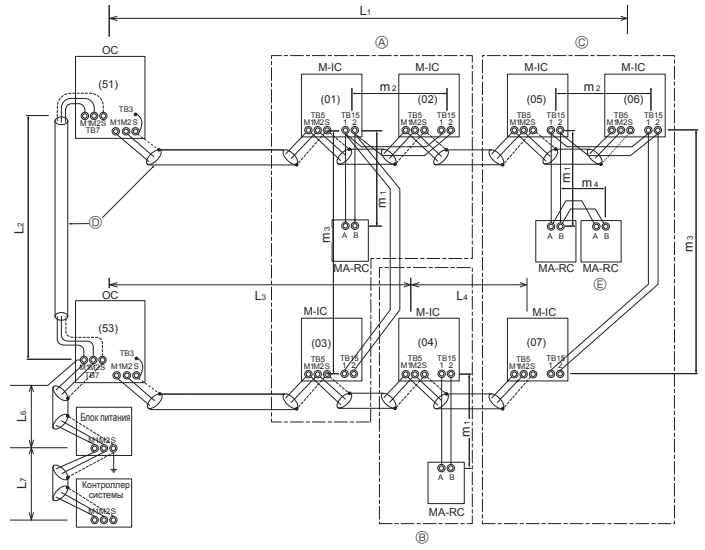
- Ⓐ : Группа 1
- Ⓑ : Группа 2
- Ⓒ : Группа 3
- Ⓓ : Экранированный провод
- Ⓔ : Дополнительный дистанционный блок управления
- ( ) : Адрес

<Допускаемая длина>

- Максимальная длина через внешние приборы:  
 $L_1 + L_2 + L_3 + L_4$  и  $L_1 + L_2 + L_3 + L_5$  и  $L_1 + L_2 + L_6 + L_7 \leq 500$  м (1,25 мм<sup>2</sup> или более)
  - Максимальная длина кабеля передачи:  $L_1$  и  $L_3 + L_4$  и  $L_3 + L_5$  и  $L_2 + L_6$  и  $L_7 \leq 200$  м (1,25 мм<sup>2</sup> или более)
  - Длина провода дистанционного блока управления:  
 $l_1, l_2, l_3 + l_3, l_4 \leq 10$  м (0,5–1,25 мм<sup>2</sup>)
- Если длина превышает 10 м, используйте экранированный провод 1,25 мм<sup>2</sup>. Длина этой секции ( $L_2$ ) включается в расчет максимальной длины и общей длины.

Fig. 6-2

■ Контроллер ДУ “МА”

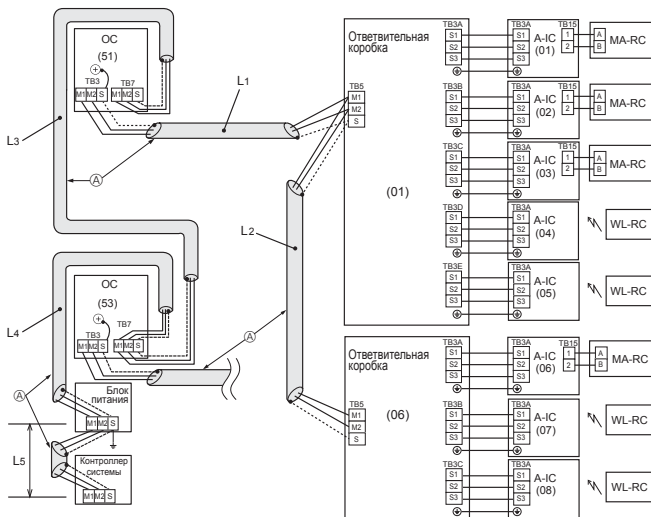


<Допускаемая длина>

- Максимальная длина через внешний прибор (кабель M-NET):  $L_1 + L_2 + L_3 + L_4$  и  $L_1 + L_2 + L_6 + L_7 \leq 500$  м (1,25 мм<sup>2</sup> или более)
- Максимальная длина кабеля передачи (кабель M-NET):  $L_1$  и  $L_3 + L_4$  и  $L_2 + L_6$  и  $L_7 \leq 200$  м (1,25 мм<sup>2</sup> или более)
- Длина провода дистанционного блока управления:  $m_1$  и  $m_1 + m_2 + m_3$  и  $m_1 + m_2 + m_3 + m_4 \leq 200$  м (0,3–1,25 мм<sup>2</sup>)

Fig. 6-3

<Пример проводки кабеля передачи: Соединение с ответвительной коробкой>



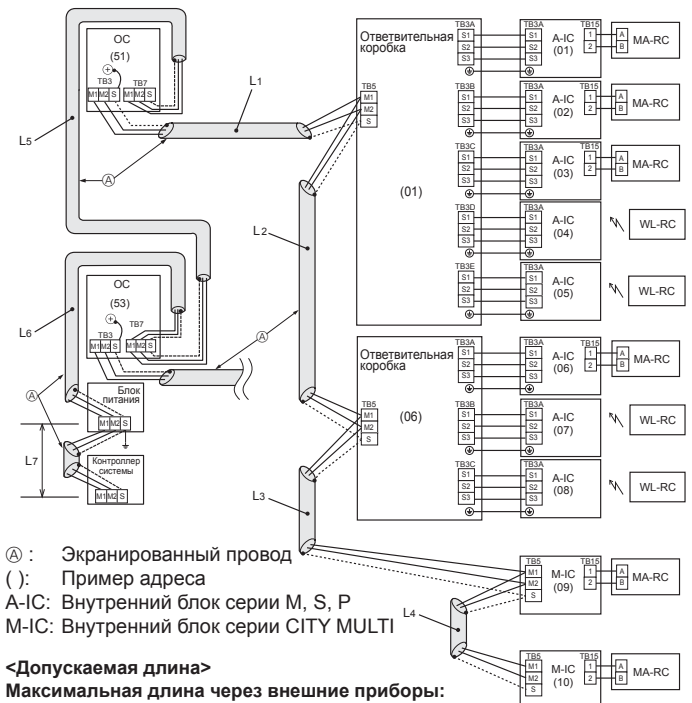
- Ⓐ : Экранированный провод
- ( ) : Пример адреса
- A-IC: Внутренний блок серии M, S, P

<Допускаемая длина>

- Максимальная длина через внешние приборы (кабель M-NET):  
 $L_1 + L_2 + L_3 + L_4 + L_5 \leq 500$  м (1,25 мм<sup>2</sup> или более)
- Максимальная длина кабеля передачи (кабель M-NET):  
 $L_1 + L_2, L_3 + L_4, L_5 \leq 200$  м (1,25 мм<sup>2</sup> или более)

Fig. 6-4

<Пример проводки кабеля передачи: Смешанная система>



- Ⓐ : Экранированный провод
- ( ) : Пример адреса
- A-IC: Внутренний блок серии M, S, P
- M-IC: Внутренний блок серии CITY MULTI

<Допускаемая длина>

- Максимальная длина через внешние приборы:  
 $L_1 + L_2 + L_3 + L_4 + L_5 + L_6 + L_7 \leq 500$  м (1640 футов)
- Максимальная длина кабеля передачи:  
 $L_1 + L_2 + L_3 + L_4, L_5 + L_6, L_7 \leq 200$  м (656 футов) (1,25 мм<sup>2</sup> или более)

Fig. 6-5

Примечание:

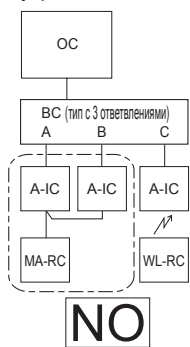
Блок Cylinder или Hydrobox нельзя комбинировать с другим блоком, кроме блоков Cylinder или Hydrobox.

Кроме того, когда блок Cylinder или Hydrobox подключен, нельзя одновременно включать несколько внешних блоков.

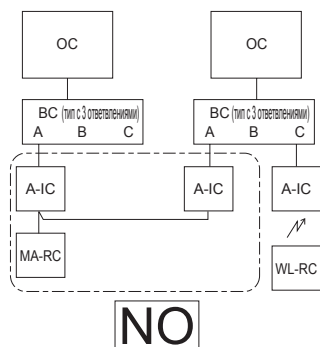
## 6. Электрические работы

<Некорректные системы>

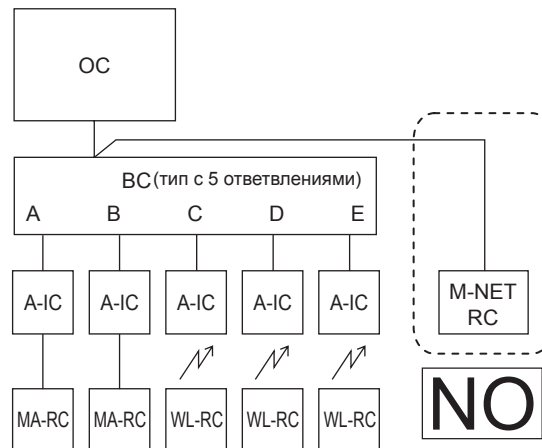
1. Групповая работа с одного блока дистанционного управления



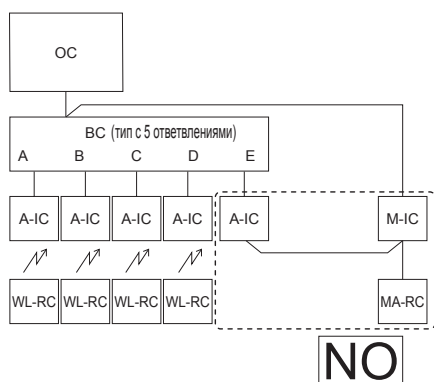
2. Групповая работа между разными системами хладагента



3. Соединение блока дистанционного управления M-NET



4. Групповая работа между системой управления А и системой управления M-NET.



1. Несколько внутренних блоков не могут управляться с одного блока дистанционного управления.
2. Разные системы хладагента нельзя связывать вместе.
3. Нельзя подключить блок дистанционного управления M-NET.
4. Разные типы систем управления (A-IC/M-IC) нельзя соединять вместе.

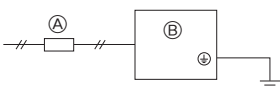
## 6. Электрические работы

### 6.4. Электропроводка для сетевого питания и характеристики оборудования

Схема электропроводки: Без использования ответвительной коробки (Пример) (Fig. 6-6)

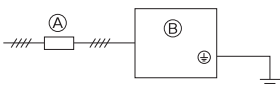
#### ■ PUMY-P-VKM4

~N 220-230-240 В 50 Гц  
~N 220-230 В 60 Гц



#### ■ PUMY-P-YKM(E)4

• YKM4  
3N~380-400-415 В 50 Гц  
3N~380 В 60 Гц  
• YKME4  
3N~380-400-415 В 50 Гц



~N 220-230-240 В 50 Гц  
~N 220-230 В 60 Гц

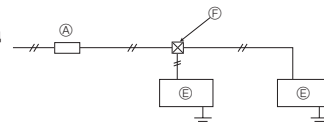


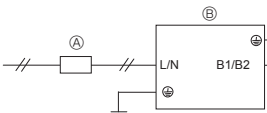
Fig. 6-6

Схема электропроводки: при использовании ответвительной коробки (Пример) (Fig. 6-7)

<Когда питание подается от наружного прибора>

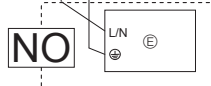
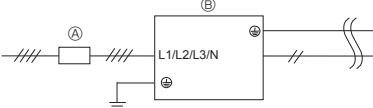
#### ■ PUMY-P-VKM4

~N 220-230-240 В 50 Гц  
~N 220-230 В 60 Гц

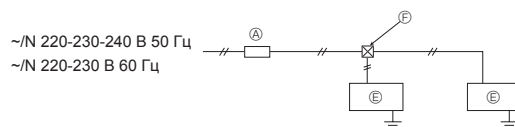


#### ■ PUMY-P-YKM(E)4

• YKM4  
3N~380-400-415 В 50 Гц  
3N~380 В 60 Гц  
• YKME4  
3N~380-400-415 В 50 Гц



~N 220-230-240 В 50 Гц  
~N 220-230 В 60 Гц



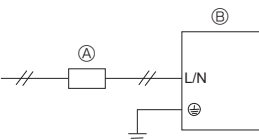
- Ⓐ Выключатель (прерывание цепи и утечки тока)
- Ⓑ Наружный прибор
- Ⓒ Ответвительная коробка
- Ⓓ "А-Контроль" внутреннего прибора (внутренний блок модели M, S, P)
- Ⓔ Блок управления M-NET для внутреннего блока (внутренний блок City Multi)
- Ⓕ Коробка пенального типа

\* Внутренний блок управления M-NET не может получать питание от наружного блока, для него необходимо отдельное электропитание.

<Когда питание подается отдельно>

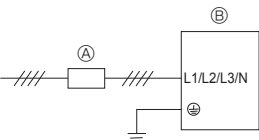
#### ■ PUMY-P-VKM4

~N 220-230-240 В 50 Гц  
~N 220-230 В 60 Гц

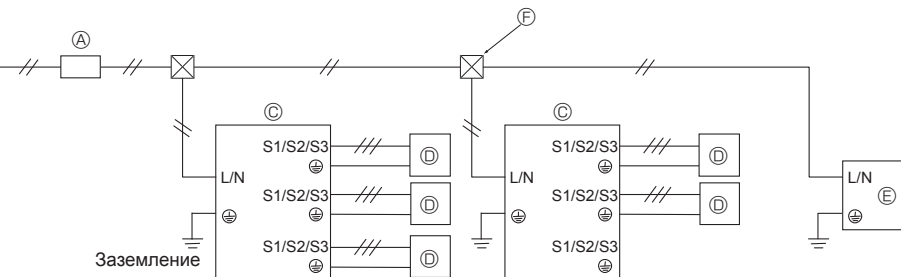


#### ■ PUMY-P-YKM(E)4

• YKM4  
3N~380-400-415 В 50 Гц  
3N~380 В 60 Гц  
• YKME4  
3N~380-400-415 В 50 Гц



~N 220-230-240 В 50 Гц  
~N 220-230 В 60 Гц



Примечание: Блок стабилизатора (дополнительные детали)  
Если продукт используется не в качестве профессионального оборудования,  
может потребоваться установка блока стабилизатора.

	Подача питания через ответвительную коробку	
Наружный прибор	Подача питания с наружного прибора	Отдельный источник питания
1-фазный источник питания	Не требуется	Требуется
3-фазный источник питания	Требуется	Требуется

Fig. 6-7

## 6. Электрические работы

### Площадь сечения провода основного источника питания и значения включения/выключения

<Когда питание подается отдельно>

Модель		Источник питания	Минимальная площадь сечения провода (мм <sup>2</sup> )			Прерыватель цепи *1	Прерыватель против утечки тока
			Магистр. кабель	Отвод	Заземл.		
Внешний прибор	P112-140VKM4	~N 220-230-240 В 50 Гц ~N 220-230 В 60 Гц	6	–	6	32 А	32 А 30 мА 0,1сек. или менее
	P112-140YKM4	3N~380-400-415 В 50 Гц 3N~380 В 60 Гц	1,5	–	1,5	16 А	16 А 30 мА 0,1сек. или менее
	P112-140YKME4	3N~380-400-415 В 50 Гц					

<Когда питание подается от наружного прибора>

Модель		Источник питания	Минимальная площадь сечения провода (мм <sup>2</sup> )			Прерыватель цепи *1	Прерыватель против утечки тока
			Магистр. кабель	Отвод	Заземл.		
Внешний прибор	P112-140VKM4	~N 220-230-240 В 50 Гц ~N 220-230 В 60 Гц	6	–	6	40 А	40 А 30 мА 0,1сек. или менее
	P112-140YKM4	3N~380-400-415 В 50 Гц 3N~380 В 60 Гц	2,5	–	2,5	20 А	20 А 30 мА 0,1сек. или менее
	P112-140YKME4	3N~380-400-415 В 50 Гц					

\*1 Используйте неплавкий предохранитель (NF) или выключатель тока утечки на землю (NV) с расстоянием между контактами по крайней мере 3,0 мм для каждого полюса.

<Внутренние приборы>

Общий рабочий ток внутреннего прибора	Минимальная толщина провода (мм <sup>2</sup> )			Прерыватель утечки тока на землю *1	Локальный выключатель (А)		Прерыватель цепи (NFB)
	Магистр. кабель	Отвод	Заземл.		Мощность	Предохранитель	
F0 = 16 А или менее *2	1,5	1,5	1,5	Чувствительность по току 20 А *3	16	16	20
F0 = 25 А или менее *2	2,5	2,5	2,5	Чувствительность по току 30 А *3	25	25	30
F0 = 32 А или менее *2	4,0	4,0	4,0	Чувствительность по току 40 А *3	32	32	40

Максимально допустимое сопротивление системы см. в IEC61000-3-3.

\*1 Прерыватель утечки тока на землю должен поддерживать цепь инвертора.

Прерыватель утечки тока на землю должен поддерживать совместно использование с локальным выключателем или прерывателем цепи.

\*2 В качестве значения F0 выберите большее значение из F1 или F2.

F1 = Общий максимальный рабочий ток внутренних приборов × 1,2

F2 = {V1 × (количество типа 1)/C} + {V1 × (количество типа 2)/C} + {V1 × (количество типа 3)/C} + ... + {V1 × (количество типа 14)/C}

#### Подсоединение к ответвительной коробке (PAC-MK-BC(B))

Внутренний блок		V1	V2
Тип 1	PEAD-RP-JA(L)Q, PEAD-M-JA(L), PEY-(S)P-JA	26,9	2,4
Тип 2	SEZ-KD-VAQ(L), SEZ-M-DA(L), PCA-RP-KAQ, PCA-M-KA, PLA-ZRP-BA, PLA-RP-EA, SLZ-KF-VA2, SLZ-M-FA, PLY-(S)P-BA, SEZ-KH-VALT, PCY-(S)P-KA	19,8	
Тип 3	MLZ-KA-VA, SLZ-KA-VAQ(L)3	9,9	
Тип 4	MFZ-KJ-VE2, MSXY-FJ-VE, MSZ-LN-VG, MSZ-AP-VG, MLZ-KP-VF	7,4	
Тип 5	MSZ-FH-VE, MSZ-SF-VE, MSZ-EF-VE, MSZ-SF-VA, MSZ-GF-VE, MSZ-GE-VA, MSZ-EF-VA, MSY-GE-VA, MSY-EF-VA, MSZ-FH-VA, MSY-GH-VA, MSZ-FK-VA, MSZ-GC-NA	6,8	
Тип 6	Ответвительная коробка (PAC-MK-BC(B))	5,1	3,0
Тип 7	Поколение Ecodan C		5,0 *5

\*5 Это значение может увеличиться при использовании локально подключенного исполнительного механизма.

#### Подсоединение к комплекту подключения (PAC-LV11M-J)

Внутренний блок		V1	V2
Тип 8	MFZ-KJ-VE2	7,4	2,4
Тип 9	MSZ-GE-VA, MSZ-SF-VA, MSZ-SF-VE, MSZ-EF-VE, MSZ-FH-VE, MSY-GE-VA, MSY-GH-VA	6,8	
Тип 10	Комплект подключения (PAC-LV11M-J)	3,5	

Внутренний блок		V1	V2
Тип 11	PEFY-VMA(L)-E, PEFY-VMA3-E	38,0	1,6
Тип 12	PMFY-VBM-E, PLFY-VEM-E, PLFY-VFM-E1, PEFY-VMS1(L)-E, PCFY-VKM-E, PKFY-VHM-E, PKFY-VKM-E, PFFY-VKM-E2, PFFY-VLRMM-E, PLFY-EP-VEM-E, PMFY-P-VFM-D	19,8	2,4
Тип 13	PKFY-VBM-E	3,5	2,4
Тип 14	PLFY-VLMD-E, PEFY-VMR-E-L/R, PDFY-VM-E, PEFY-VMH-E, PFFY-VLEM-E, PFFY-VLRM-E, PWFY-VM-E1(2)-AU, PEFY-P-VMH-E-F, GUF-RD(H)4	0,0	0,0

C : несколько значений тока расцепления при времени расцепления 0,01 с

Из характеристик расцепления автоматического выключателя выберите "C".

## 6. Электрические работы

<Пример расчета "F2">

Условие PEFY-VMS × 4 + PEFY-VMA × 1, C = 8 (см. типовый график справа)

F2 = 19,8 × 4/8 + 38 × 1/8

= 14,65

→ Автоматический выключатель 16 А (Ток расщепления = 8 × 16 А при 0,01 с)

\*3 Чувствительность по току рассчитывается по следующей формуле.

G1 = V2 × (количество внутренних приборов типа 1) + V2 × (количество внутренних приборов типа 2) +

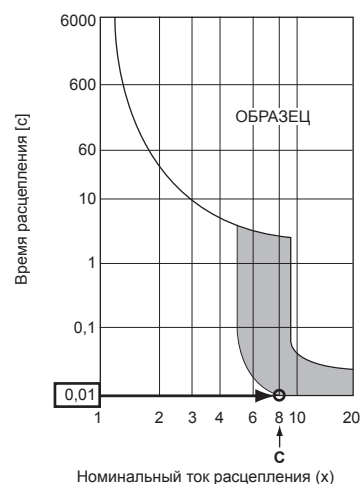
V2 × (количество внутренних приборов типа 3) + ... + V2 × (количество внутренних приборов типа 14) +

V3 × (длина провода[км])

G1	Чувствительность по току
30 или меньше	30 мА 0,1 с или меньше
100 или меньше	100 мА 0,1 с или меньше

Толщина провода	V3
1,5 мм <sup>2</sup>	48
2,5 мм <sup>2</sup>	56
4,0 мм <sup>2</sup>	66

Типовой график



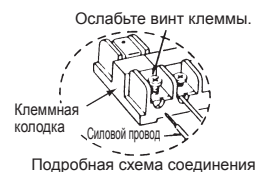
1. При проведении проводки и электросоединений имейте в виду окружающие условия (температуру окружающего воздуха, прямые солнечные лучи, дождевую воду и т. д.).
2. Размер провода является минимальной величиной для электропроводки в металлических трубах. Размер кабеля питания должен быть на 1 порядок толще ввиду падений напряжения. Убедитесь в том, что напряжение в сети питания падает не более, чем на 10%.
3. Необходимо следовать специфическим требованиям по проведению электропроводки, соответствующим нормативам данного региона.
4. Шнуры питания частей устройств, предназначенных для наружной эксплуатации, не должны быть легче, чем гибкий шнур с оболочкой из полихлоропрена (дизайн 60245 IEC57). К примеру, используйте проводку типа YZW.
5. Длина устанавливаемого кабеля заземления должна превышать длину других кабелей.

### ⚠ Предупреждение:

- Обязательно используйте для соединений указанные провода так, чтобы на соединения концевиков не действовала внешняя сила. Не надежные соединения могут вызвать перегрев или пожар.
- Обязательно убедитесь в том, что Вы используете соответствующий тип переключателя защиты от сверхтока. Заметьте, что генерируемый сверхток может включать в себя некоторое количество постоянного тока.
- Обязательно надежно закрепите крышки клеммной колодки/панель наружного прибора.  
Неправильная установка может привести к возникновению пожара или поражению электрическим током из-за попадания пыли, воды и т. д.

### ⚠ Внимание:

- Следите за правильностью подсоединения проводов.
- Плотно затягивайте винты клеммной колодки для предотвращения их ослабления.
- После затяжки винтов слегка потяните за провода, чтобы убедиться в их неподвижности.
- При неправильном подсоединении провода соединения к клеммной колодке нормальная работа прибора невозможна.
- На некоторых площадках может потребоваться установка прерывателя заземления. Отсутствие прерывателя в линии заземления может привести к электрическому удару.
- Используйте только прерыватели и предохранители с правильной характеристикой. Применение предохранителя или медного провода со слишком высокой характеристикой может вызвать отказ или возгорание прибора.



### ВАЖНО

Убедитесь в том, что используемый прерыватель утечки тока совместим с более высокой гармоникой.

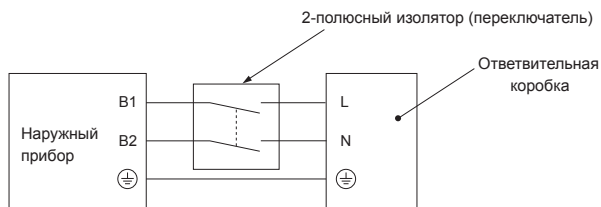
Всегда пользуйтесь прерывателем утечки тока, так как данный прибор оборудован инвертором.

Прерыватель утечки тока, несовместимый с более высокой гармоникой, может стать причиной неправильной работы инвертора.

Никогда не сращивайте кабель питания или соединительный кабель внутренней или наружной ответвительной коробки, в противном случае это может привести к образованию дыма, пожару или отказу связи.

### ⚠ Предупреждение:

- При выполнении технического обслуживания выключите основной источник питания. А также не прикасайтесь к клеммам B1, B2, когда подается напряжение. Если изолятор необходимо будет использовать между наружным прибором и ответвительной коробкой/внутренним прибором и ответвительной коробкой, используйте 2-полюсный тип.  
(См. рис. ниже.)



### ⚠ Осторожно:

После использования изолятора не забудьте выключить и включить основной источник питания для перезагрузки системы. В противном случае наружный прибор не сможет обнаружить ответвительную коробку (коробки) или внутренние приборы.

Обязательно подключите соединительные кабели наружной ответвительной коробки/внутренней ответвительной коробки непосредственно к устройствам (без промежуточных соединений).

Использование промежуточных соединений может привести к ошибкам связи, если вода проникнет в кабели и приведет к недостаточной изоляции на землю или станет причиной плохого электрического контакта в промежуточной точке подключения.

(Если промежуточное соединение необходимо, обязательно примите меры для предотвращения попадания воды в кабели.)

## 6. Электрические работы

### 6.5. Установка адреса

Установка адреса переключателей

	Наружный	Ответственная коробка				Серия М, S, P, внутрен- ние	Серия CITY MULTI																																										
		Адрес		Установка соединения																																													
Переключатель	 разряд десятков    разряд единиц SWU2    SWU1	 разряд десятков    разряд единиц SW12    SW11	<table border="1"> <tr> <td>A</td><td>B</td><td>C</td><td>D</td><td>E</td><td>-</td> </tr> <tr> <td>1</td><td>2</td><td>3</td><td>4</td><td>5</td><td>6</td> </tr> </table> SW1		A	B	C	D	E	-	1	2	3	4	5	6	ON (ВКЛ.) : Подключение внутреннего прибора OFF (ВЫКЛ.): Нет подключения (SW1-6 не используется)	Нет	 разряд десятков    разряд единиц SW12    SW11																														
A	B	C	D	E	-																																												
1	2	3	4	5	6																																												
Диапазон	51-100	1-50		-		-	1-50																																										
Настройка	Внутреннее управление М или адрес ответственной коробки +50	• В соответствии с установленным адресом (например, 01) адреса подключенных внутренних блоков устанавливаются последовательно (например, 02, 03, 04 и 05).		• Укажите, подключены ли внутренние блоки к каждому порту (А, В, С, D и Е).		Для внутренних приборов нет установленных адресов.	-																																										
		<table border="1"> <tr> <td>SW1</td><td>1</td><td>2</td><td>3</td><td>4</td><td>5</td><td></td> </tr> <tr> <td></td><td>ON (ВКЛ.)</td><td>ON (ВКЛ.)</td><td>ON (ВКЛ.)</td><td>ON (ВКЛ.)</td><td>ON (ВКЛ.)</td><td></td> </tr> <tr> <td>Порт</td><td>A</td><td>B</td><td>C</td><td>D</td><td>E</td><td></td> </tr> <tr> <td>Адрес</td><td>01</td><td>02</td><td>03</td><td>04</td><td>05</td><td>(SW11, 12) (последовательные номера)</td> </tr> </table>		SW1	1	2	3	4	5			ON (ВКЛ.)	ON (ВКЛ.)	ON (ВКЛ.)	ON (ВКЛ.)	ON (ВКЛ.)		Порт	A	B	C	D	E		Адрес	01	02	03	04	05	(SW11, 12) (последовательные номера)	<table border="1"> <tr> <td>SW1</td><td>1</td><td>2</td><td>3</td><td>4</td><td>5</td><td>(6)</td> </tr> <tr> <td>Порт</td><td>A</td><td>B</td><td>C</td><td>D</td><td>E</td><td>не используется</td> </tr> </table> Внутренние приборы подключены (ON) Внутренние приборы не подключены (OFF)		SW1	1	2	3	4	5	(6)	Порт	A	B	C	D	E	не используется		
SW1	1	2	3	4	5																																												
	ON (ВКЛ.)	ON (ВКЛ.)	ON (ВКЛ.)	ON (ВКЛ.)	ON (ВКЛ.)																																												
Порт	A	B	C	D	E																																												
Адрес	01	02	03	04	05	(SW11, 12) (последовательные номера)																																											
SW1	1	2	3	4	5	(6)																																											
Порт	A	B	C	D	E	не используется																																											

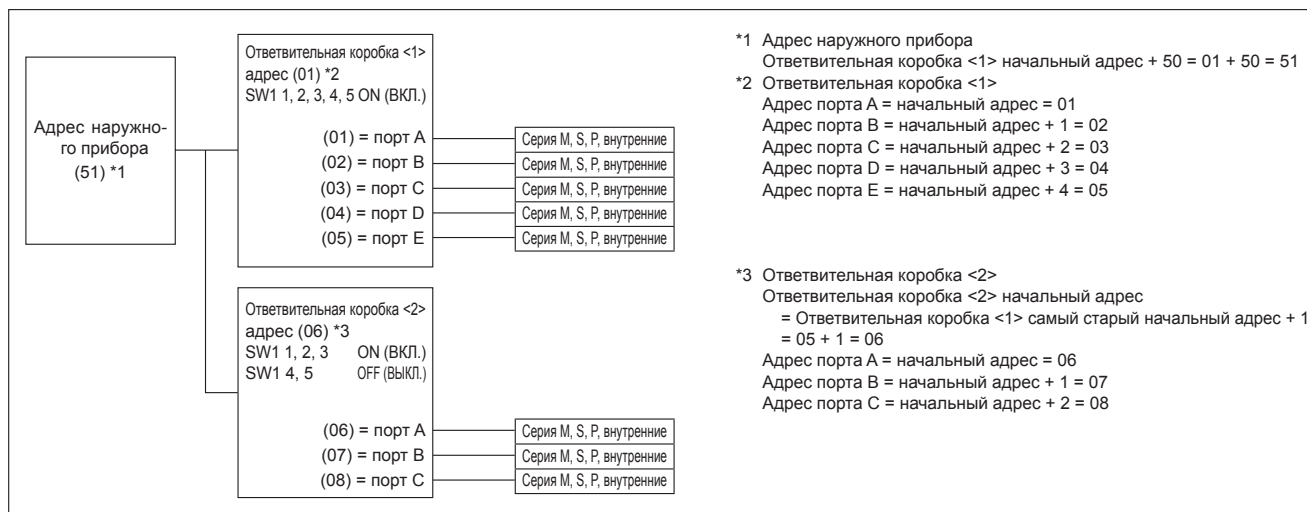
#### Примечание 1. Адрес ответственной коробки

При установке адреса используйте номера в диапазоне 1-50.

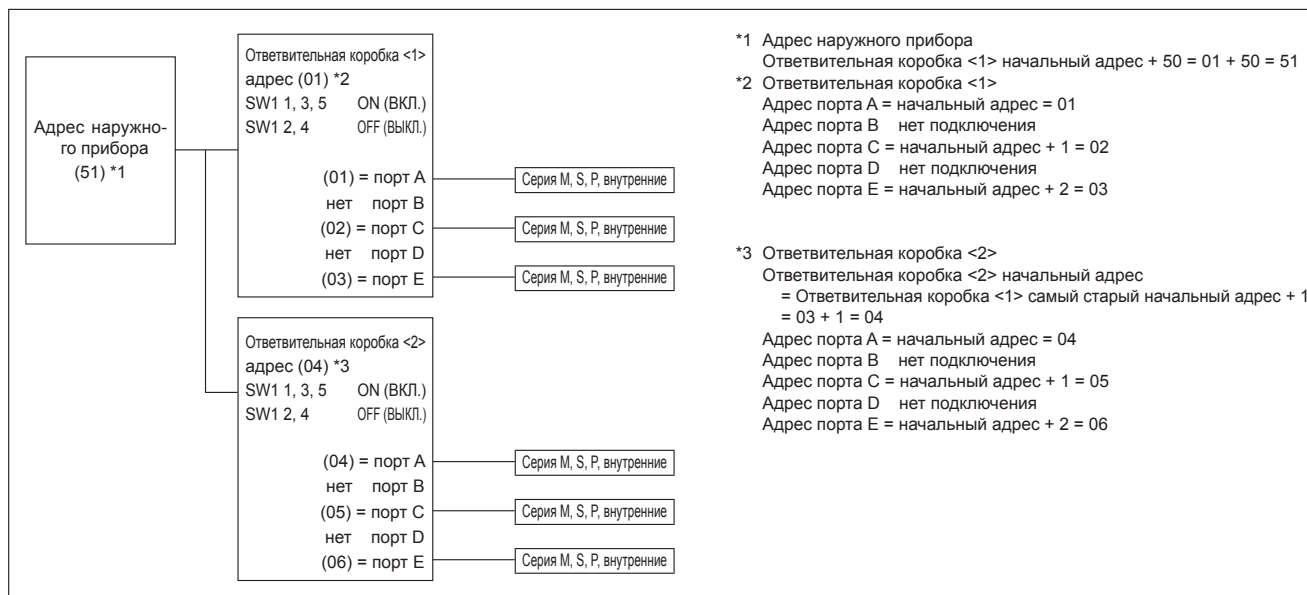
Пример. Установленный адрес – (47), а всего 5 внутренних приборов (А, В, С, D и Е).

Если А: (47), В: (48), С: (49), D: (50), а Е: (51), то установка Е неверна, потому что превышен диапазон 50.

Пример 1. Наружные + ответв.коробка <1> (Серия М, S, P, внутренние А, В, С, D, E) + ответв.коробка <2> (Серия М, S, P, внутренние А, В, С)

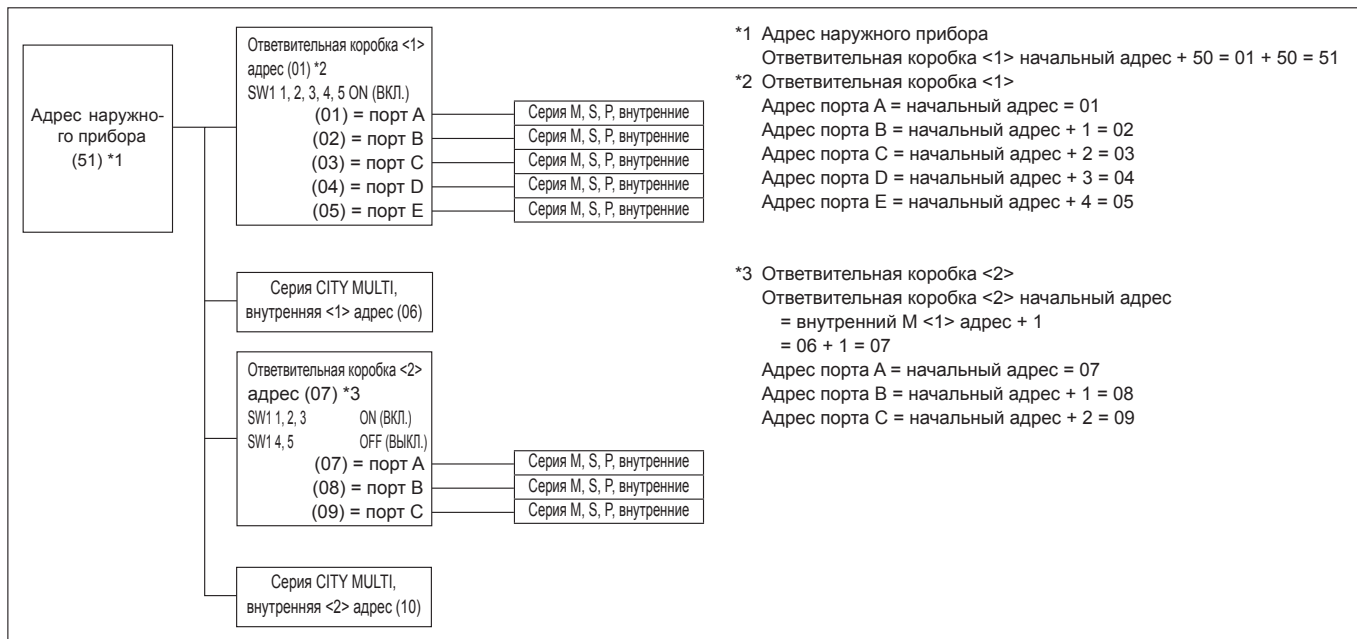


Пример 2. Наружные + ответв.коробка <1> (Серия М, S, P, внутренние А, С, E) + ответв.коробка <2> (Серия М, S, P, внутренние А, С, E)



## 6. Электрические работы

Пример 3. Наружные + ответв.коробка <1> (серия M, S, P, внутренние A, B, C, D, E) + ответв.коробка <2> (серия M, S, P, внутренние A, B, C) + серия CITY MULTI, внутренняя <1> + серия CITY MULTI, внутренняя <2>





## 7. Выполнение испытания

### 7.1. Перед пробным прогоном

- ▶ После завершения установки, прокладки труб и электропроводки внутреннего и наружного приборов проверьте отсутствие утечки хладагента, слабых соединений кабеля питания или проводов управления и неправильной полярности, а также убедитесь, что все фазы питания подключены.
- ▶ Используйте тестер на 500-Вольт Мом, чтобы проверить, что сопротивление между клеммами электропитания и заземлением составляет, по меньшей мере, 1 МΩ.
- ▶ Запрещается выполнять этот замер на терминалах проводах управления (цепь низкого напряжения).

#### ⚠ Предупреждение:

Не пользуйтесь кондиционером воздуха, если сопротивление изоляции ниже 1 МΩ.

#### Сопротивление изоляции

После установки или длительного отключения источника питания от прибора, сопротивление изоляции падает ниже 1 МΩ вследствие накопления хладагента в компрессоре. Это не является неисправностью. Выполните следующие действия.

1. Отключите от компрессора провода и измерьте сопротивление изоляции компрессора.
2. Если сопротивление изоляции ниже 1 МΩ, то компрессор неисправен или сопротивление упало вследствие накопления хладагента в компрессоре.

3. После подсоединения проводов к компрессору при подаче питания он начнет нагреваться. После подачи питания в течение нижеуказанных периодов времени, измерьте сопротивление изоляции еще раз.
  - Сопротивление изоляции понижается из-за накопления хладагента в компрессоре. Сопротивление поднимется выше 1 МΩ после прогрева компрессора в течение 12 часов.  
(Время, в течение которого необходимо прогревать компрессор, зависит от атмосферных условий и количества накопленного хладагента.)
  - Чтобы использовать компрессор, в котором скопился хладагент, компрессор необходимо прогреть в течение по крайней мере 12 часов, чтобы предотвратить поломку.
4. Если сопротивление изоляции возрастает до значения свыше 1 МΩ, то компрессор исправен.

#### ⚠ Внимания:

- Компрессор не будет работать при неправильном подсоединении фаз источника электропитания.
- Подключите электропитание прибора не менее чем за 12 часов до начала работы.
- Запуск прибора сразу после подключения сетевого питания может серьезно повредить внутренние части прибора. Сетевой выключатель должен оставаться во включенном положении в течение всего периода эксплуатации прибора.

#### ▶ Выполните проверку следующего.

- Наружный прибор исправен. Светодиод на контрольной панели наружного прибора мигает, если наружный прибор неисправен.
- Запорные краны газа и жидкости полностью открыты.

## 7.2. Выполнение испытания

### 7.2.1. Использование пульта дистанционного управления

См. руководство по монтажу внутреннего прибора.

- Обязательно осуществите пробный запуск каждого внутреннего прибора. Убедитесь в том, что каждый внутренний прибор работает надлежащим образом согласно руководству по монтажу, прилагаемому к прибору.
- Если Вы выполните пробный запуск всех внутренних приборов одновременно, Вы не сможете обнаружить неправильное подсоединение труб хладагента и соединительных проводов, если оно имеет место.
- \* Компрессор начинает работу, по меньшей мере, через 3 минуты после подачи электропитания.
- Компрессор может издавать шум сразу же после включения электропитания или при низкой температуре наружного воздуха.
- В зависимости от условий эксплуатации вентилятор наружного прибора может остановиться во время работы компрессора, однако это не является неисправностью.

#### О защитном механизме повторного запуска

После остановки компрессора включается защитный механизм повторного запуска, который предотвращает включение компрессора в течение 3 минут для защиты кондиционера.

### 7.3. Сбор хладагента (откачка)

Для сбора хладагента при перемещении внутреннего или внешнего прибора выполните следующие действия.

- ① Выключите автоматический выключатель.
- ② Подсоедините шланг со стороны низкого давления манометрического коллектора к сервисному порту запорного клапана на стороне газа.
- ③ Перекройте запорный клапан линии подачи жидкости.
- ④ Включите питание (с помощью автоматического выключателя).
  - \* Взаимодействие внешнего и внутреннего модулей начинается спустя 3 минуты после включения питания (автоматического выключателя). Начните откачку через 3–4 минуты после включения питания (автоматического выключателя).
- ⑤ Для выполнения испытания процесса охлаждения необходимо установить переключатель SW3-2 в положение OFF (ВЫКЛ.), а затем переключатель SW3-1 в положение ON (ВКЛ.). Запустятся компрессор (внешний прибор) и вентиляторы (внутренний и внешний приборы) и начнется испытание процесса охлаждения. Сразу после выполнения испытания процесса охлаждения переведите сервисный переключатель внешнего прибора SW2-4 (переключатель откачки) из положения OFF (ВЫКЛ.) в положение ON (ВКЛ.).
  - \* Запрещается продолжение эксплуатации прибора длительное время с выключателем SW2-4 в положении ON (ВКЛ.). Обязательно переключите выключатель в положение OFF (ВЫКЛ.) после завершения операции откачивания.

- ⑥ Полностью закройте запорный газовый клапан, когда показания давления на манометре упадут до уровня 0,05–0,00 МПа (приблизительно 0,5–0,0 кгс/см<sup>2</sup>)
- ⑦ Остановите работу кондиционера воздуха (SW3-1: OFF (ВЫКЛ.)). Переведите сервисный переключатель внешнего прибора SW2-4 из положения ON (ВКЛ.) в положение OFF (ВЫКЛ.).
- ⑧ Отключите подачу питания (с помощью автоматического выключателя).
  - \* Если в систему добавлено слишком много хладагента, давление может не упасть до уровня 0,05 МПа (0,5 кгс/см<sup>2</sup>). В этом случае используйте устройство для сбора хладагента, чтобы собрать весь хладагент из системы, и затем повторно запустите систему правильным количеством хладагента после перемещения внутреннего и внешнего прибора.

#### ⚠ Внимания:

При откачке охлаждающей жидкости, прежде чем отсоединить трубы, следует остановить компрессор. При попадании в систему постороннего вещества, например воздуха, может произойти взрыв компрессора, что приведет к травмированию.

## Innhold

1. Sikkerhetsforholdsregler.....	266	5. Arbeid med avløpsrør.....	278
2. Monteringssted.....	268	6. Elektrisk arbeid.....	278
3. Montere utendørsenheten.....	271	7. Testkjøring.....	287
4. Montere kjølemiddelrør.....	271		

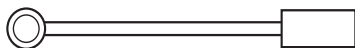
### ⚠ Forsiktig:

- Ikke slipp R410A ut i atmosfæren.

## Bekreftelse på medfølgende deler

I tillegg til denne håndboken følger delen nedenfor med for utendørsenheten.

Den brukes til å jorde S-klemmen på klemmeblokken for overføring, TB7. Du finner flere detaljer under "6. Elektrisk arbeid".



Jordledning

## 1. Sikkerhetsforholdsregler

- ▶ Les alle "Sikkerhetsforholdsreglene" før du monterer enheten.
- ▶ Rapportør til eller få samtykke fra energiselskapet før tilkøpling til systemet.
- ▶ PUMY-P-VKM-serien er i samsvar med IEC/EN 61000-3-12
- ▶ PUMY-P-VKM-serien og PUMY-P-YKME-serien er konstruert for bruk i boliger, butikker og lokaler til lettindustri.
- ▶ PUMY-P-YKM-serien er konstruert som profesjonelt utstyr.
- ▶ Ved tilkobling av en ATW-innendørsenhet (EHST20C- og EHSC-serien) med en 3-faset modell, skal PUMY-P-YKME4 brukes.

### ⚠ Advarsel:

Beskriver forholdsregler som må tas for å forhindre fare for at brukeren blir skadet eller dør.

### ⚠ Forsiktig:

Beskriver forholdsregler som må tas for å forhindre skade på enheten.

### ⚠ Advarsel:

- Enheten må ikke monteres av brukeren. Be en forhandler eller en autorisert tekniker om å montere enheten. Hvis enheten monteres feil, kan det føre til vannlekkasje, elektrisk støt eller brann.
- Dette apparatet er ment for bruk av faglærte eller opplærte brukere i butikker, lettindustri og på gårdsbruk, eller for kommersiell bruk av ufaglærte.
- For monteringsarbeidet må man følge instruksene i monteringshåndboken og bruke de verktøy og rørkomponenter som er spesifikt laget for å brukes med kjølemiddelet R410A. Kjølemiddelet R410A i HFC-systemet er under et trykk som er 1,6 ganger større enn trykket i vanlige kjølemidler. Hvis det brukes rørkomponenter som ikke er designet for R410A-kjølemiddel og enheten ikke monteres på korrekt måte, kan rørene sprekke og forårsake skade på eiendom eller personer. I tillegg kan det føre til vannlekkasje, elektrisk støt eller brann.
- Enheten må monteres i henhold til instruksene for å minimere risikoen for skade som følge av jordskjelv, orkan eller sterk vind. En feilmontert enhet kan falle ned og forårsake skade på eiendom eller personer.
- Enheten må monteres forsvarlig på en struktur som tåler dens vekt. Hvis enheten monteres på en ustabil struktur, kan den falle ned og forårsake skade på eiendom eller personer.
- Hvis klimaanlegget monteres i et lite rom, må det tas tiltak for å forhindre at kjølemiddelkonsentrasjonen i rommet overskrider sikkerhetsgrensen, hvis det skulle oppstå en kjølemiddellekkasje. Rådfør deg med en forhandler angående egnede tiltak for å forhindre at den tillatte konsentrasjonen overskrides. Hvis det skulle lekke kjølemiddel slik at konsentrasjonsgrensen overskrides, kan de oppstå skade på grunn av oksygenmangel i rommet.
- Luft ut rommet hvis det lekker kjølemedium under bruk. Hvis kjølemiddelet kommer i kontakt med ild, kan det bli dannet giftige gasser.
- Alt elektrisk arbeid må utføres av en elektriker i samsvar med lokale forskrifter og instruksene som gis i denne håndboken. Enhetene må få strøm fra dediserte strømlinjer og det må brukes korrekt spenning og vernebrytere. Strømlinjer med utilstrekkelig kapasitet eller feil elektrisk arbeid kan føre til elektrisk støt eller brann.
- Bruk C1220 kopperfosfor, for sømløse rør laget av kobber eller kobberlegeringer, til å koble sammen kjølemiddelrør. Hvis rørene ikke er korrekt tilkople, vil enheten ikke være korrekt jordnet, noe som kan føre til elektrisk støt.

Etter at monteringsarbeidet er fullført, må "Sikkerhetsforholdsregler", bruk og vedlikehold av enheten forklares kunden i henhold til informasjonen i brukerhåndboken samt gjennomføre testkjøringen for å være sikker på at anlegget fungerer som det skal. Både monteringshåndboken og brukerhåndboken må gis til, og skal beholdes av brukeren. Disse håndbøkene må gis videre til påfølgende brukere.

⚡ : Indikerer hvilken del som må jordes.

### ⚠ Advarsel:

Les merkene som står på hovedenheten nøye.

- Bruk kun spesifiserte kabler for tilkøpling. Ledningskoblinger må være sikre uten strekk på klemmekoplingene. Dessuten må tilkoblingskabler ikke skjotes (med mindre noe annet angis i dette dokumentet).
- Hvis disse instruksene ikke følges, kan det føre til overoppheting eller brann.
- Dekselet på klemmeblokkpanelet på utendørsenheten må være godt festet. Hvis dekelet er feilmontert og det kommer støv og fuktighet inn i enheten, kan det føre til elektrisk støt eller brann.
- Ved montering eller flytting, eller service på luftkondisjoneringen, må det bare brukes spesifisert kjølemedium (R410A) i kjølemediummørene. Ikke bland den med andre kjølemedier, og ikke la det være igjen luft i rørene. Hvis det blandes luft i kjølemediet, kan det forårsake unormalt høyt trykk i kjølemediummøret, som kan føre til eksplosjon og andre farer. Bruk av andre kjølemedier enn det som er spesifisert for systemet, vil forårsake mekanisk svikt, systemsvikt eller havari av enheten. I verste fall kan dette føre til at det blir veldig vanskelig å opprettholde produktsikkerheten.
- Bruk kun tilbehør som er godkjent av Mitsubishi Electric, og be en forhandler eller autorisert tekniker om å montere det. Hvis tilbehør monteres feil, kan det føre til vannlekkasje, elektrisk støt eller brann.
- Enheten må ikke endres. Kontakt en forhandler hvis det er behov for reparasjon. Hvis endringer eller reparasjoner ikke utføres riktig, kan det føre til vannlekkasje, elektrisk støt eller brann.
- Brukeren må aldri prøve å reparere enheten eller å overføre den til et annet sted. Hvis enheten monteres feil, kan det føre til vannlekkasje, elektrisk støt eller brann. Hvis det er behov for å reparere eller flytte klimaanlegget, må du be en forhandler eller autoriserte tekniker om å gjøre det.
- Kontroller om det lekker kjølemedium etter at monteringen er fullført. Hvis det lekker kjølemedium inn i rommet og det kommer i kontakt med flammen på et varmeapparat eller bærbar komfyr, vil det bli dannet giftige gasser.
- Apparatet skal installeres i samsvar med nasjonale installasjonsforskrifter.
- Dersom strømforsyningskabelen er skadet, må den kun skiftes av produsenten, et autorisert serviceverksted eller annet kvalifisert personell for å unngå risiko.

# 1. Sikkerhetsforholdsregler

## 1.1. Før montering

⚠ Forsiktig:

- Ikke bruk enheten i et uvanlig miljø. Hvis klimaanlegget monteres i områder som er eksponert for damp, volatil olje (inklusive maskinolje) eller svovelgass, områder eksponert for høyt saltinnhold som ved sjøen, eller områder der enheten vil bli dekket av snø, kan ytelsen bli betydelig redusert og interne deler kan bli skadet.
- Ikke monter enheten der det kan lekke, produseres, flyte eller akkumuleres brennbar gass. Hvis brennbar gass akkumuleres rundt enheten, kan det føre til brann eller eksplosjon.
- Utendørsenheten produserer kondens under oppvarming. Sørg for drenering rundt utendørsenheten hvis slik kondens sannsynligvis vil forårsake skade.
- Ved montering av enheten på sykehus eller kontor, må du være forberedt på støy og elektronisk interferens. Vekselrettere, husholdningsapparater, høyfrekvens medisinsk utstyr og radiokommunikasjonsutstyr kan forårsake at klimaanlegget får funksjonsfeil eller svikter. Klimaanlegget kan også påvirke medisinsk utstyr, forstyrre medisinsk pleie og kommunikasjonsutstyr ved å skade visningskvaliteten på skjermer.

## 1.2. Før montering (flytting)

⚠ Forsiktig:

- Vær meget forsiktig ved transport av enhetene. Det trengs to eller flere personer til å håndtere enheten ettersom den veier 20 kg eller mer. Ikke ta tak i emballasjebåndene. Bruk vernehansker når du tar enheten ut av emballasjen og flytter den, ettersom du kan skade hendene på ribbene eller på andre deler.
- Sørg for å kaste emballasjen på en forsvarlig måte. Emballasjemateriale, som spiker eller andre deler av metall eller tre, kan forårsake stikksår eller andre skader.
- Sokkelen og tilbehøret til utendørsenheten må periodevis kontrolleres for å se om noe er løsnet, fått sprekker eller annen skade. Hvis slike skader ikke repareres, kan enheten falle ned og forårsake skade på eiendom eller personer.
- Ikke vask klimaanlegget med vann. Det kan føre til elektrisk støt.
- Stram alle kragemuttere i henhold til spesifikasjon med en momentnøkkel. Hvis det strammes for mye, kan leppemutteren sprekke etter en lengre periode og kjølemiddel lekker ut.

## 1.3. Før elektrisk arbeid

⚠ Forsiktig:

- Husk å montere vernebrytere. Hvis de ikke monteres, kan det føre til elektrisk støt.
- Bruk standard kabler med tilstrekkelig kapasitet som strømledninger. Hvis ikke, kan det føre til kortslutning, overoppheting eller brann.
- Ikke ha strekk i kablene ved montering av strømledninger. Hvis kontaktene løsner, kan kablene bryte eller sprekke, med overoppheting eller brann som følge.
- Husk å jorde enheten. Du må ikke koble jordledningen til gass- eller vannrør, lynavledere eller jordledninger i telefonanlegget. Hvis enheten ikke er skikkelig jordnet, kan det føre til elektrisk støt.
- Bruk vernebrytere (jordfeilbryter, isoleringsbryter (+B-sikring) og vernebryter i støpt hus) med den spesifiserte kapasiteten. Hvis vernebryterkapasiteten er større enn den spesifiserte kapasiteten, kan det føre til svikt eller brann.

## 1.4. Før testkjøringen starter

⚠ Forsiktig:

- Slå på hovedstrømbryteren minst 12 timer før anlegget tas i bruk. Hvis du starter kjøringen umiddelbart etter å ha slått på strømbryteren, kan det føre til alvorlig skade på interne deler. La hovedstrømbryteren stå på hele tiden i brukssesongen.
- Før bruk må du kontrollere at alle paneler, vern og andre beskyttende deler er korrekt montert. Deler som roterer, er varme eller har høy spenning kan forårsake personskade.
- Brytere må ikke berøres med våte hender. Det kan føre til elektrisk støt.
- Ikke berør kjølemiddelrørene med bare hender under bruk. Kjølemiddelrørene er varme eller kalde, avhengig av tilstanden til det flytende kjølemiddelet. Hvis du berører rørene, kan det føre til brannskade eller forfrysning.
- Vent i minst fem minutter før du slår av hovedstrømbryteren etter å ha slått av anlegget. Hvis ikke, kan det føre til vannlekkasje eller funksjonssvikt.

## 1.5. Bruke kjølemiddelet R410A i klimaanlegg

⚠ Forsiktig:

- Bruk C1220 kopperfosfor, for sømløse rør laget av kobber eller kobberlegeringer, til å koble sammen kjølemiddelrør. Sørg for at rørene er rene innvendig og ikke inneholder noen skadelige kontaminanter, som for eksempel svovelforbindelser, oksidanter, rusk eller støv. Bruk rør med den spesifiserte tykkelsen. (Se side 271) Vær oppmerksom på følgende hvis det gjenbrukes rør som har inneholdt R22-kjølemiddel.
- Skift ut eksisterende leppemuttre og gjør de konisk utvidede delene koniske igjen.
- Ikke bruk tynne rør. (Se side 271)
- Oppbevar rørene som skal brukes i monteringen, innendørs og la begge ender av rørene være forseglede inntil like før hardlodding. (La alburør osv. ligge i emballasjen.) Hvis det kommer støv, rusk eller fuktighet inn i kjølemiddelrørene, kan det føre til oljeforringelse eller kompressorhavari.
- Bruk esterolje, eterolje, alkylbenzenolje (liten mengde) som kjøleoljen som påføres de konisk utvidede delene. Hvis det blandes mineralolje inn i kjøleoljen, kan det føre til oljeforringelse.
- Ikke bruk noe annet kjølemiddel enn R410A. Hvis det brukes et annet kjølemiddel, så vil klorinen gjøre at oljen forringes.
- Bruk følgende verktøy, som er spesifikt beregnet på bruk med kjølemiddelet R410A. Følgende verktøy er nødvendig for å bruke kjølemiddelet R410A. Kontakt nærmeste forhandler hvis du har spørsmål.

Verktøy (for R410A)	
Målermanifold	Flammeverktøy
Mateslange	Størrelsesjusteringsmåler
Gasslekkasjedetektor	Vakuumpumpeadapter
Momentnøkkel	Elektronisk matevekt for kjølemiddel

- Bruk korrekt verktøy. Hvis det kommer støv, rusk eller fuktighet inn i kjølemiddelrørene, kan det føre til forringelse av kjøleoljen.
- Ikke bruk en matesylinder. Hvis det brukes en matesylinder, vil sammensetningen av kjølemiddelet endres og effektiviteten vil bli lavere.

## 2. Monteringssted

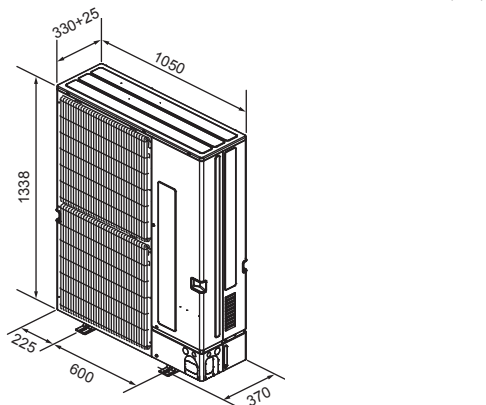


Fig. 2-1

Tabell 2 Antall innendørsenheter som kan tilkobles

• City Multi-innendørsenheter

P112	1-9 *1
P125	1-10 *2
P140	1-12 *3

\*1 Ved tilkobling av innendørsenheter i M-serien via tilkoblingssettet, kan det tilkobles 10 innendørsenheter.

\*2 Ved tilkobling av innendørsenheter i M-serien via tilkoblingssettet, kan det tilkobles 12 innendørsenheter.

\*3 Når alle innendørsenheterne er P15-modeller, kan det tilkobles 12 innendørsenheter.

• System med forgreningsboks (innendørsenheter i M-, S- og P-serien via forgreningsboks)

P112	2-8
P125	2-8
P140	2-8

• Blandet system (City Multi-innendørsenheter og innendørsenheter i M-, S- og P-serien via forgreningsboks)

	En forgreningsboks		To forgreningsbokser	
	Via forgreningsboks	City Multi-innendørsenhet	Via forgreningsboks	City Multi-innendørsenhet
P112	Maks 5	Maks 5*1	Maks 7	Maks 3*1
P125	Maks 5	Maks 5*1	Maks 8	Maks 2*1
P140	Maks 5	Maks 5*1	Maks 8	Maks 3*1

\*1 Innendørsenheterne av typen PKFY-P-VBM, PFFY-P-VKM og PFFY-P-VL\* kan ikke brukes i et blandet system.

Tabell 3 Spesifikasjoner for PWFY-enhet

Modell	PWFY-P100VM-E-AU	
Temp.område for oppvarming	Utendørstemp.	-15 til 21 °C (DB), -15 til 15 °C (WB)
	Temp. på inntaksvann	10 til 45 °C
Temp.område for kjøling	Utendørstemp.	–
	Temp. på inntaksvann	–

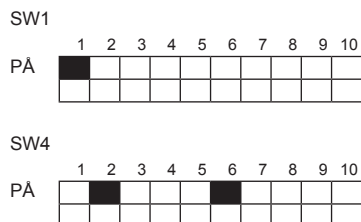


Fig. 2-2

### 2.1. Rørledning for kjølemiddel

Se fig. 4-1.

### 2.2. Velge stedet for montering av utendørsenheten

- Unngå steder som er eksponert for direkte sollys eller andre varmekilder.
- Velg et sted hvor støy som kommer fra enheten ikke vil være til plage for naboene.
- Velg et sted som gir lett tilgang for rør og ledninger til strømkilde og innendørsenheten.
- Unngå steder der det kan lekke, produseres, flyte eller akkumuleres brennbar gass.
- Vær oppmerksom på at det kan komme vann ut av enheten når den er i bruk.
- Velg et plant sted som kan bære vekten og tåle vibrasjonen til enheten.
- Unngå steder der enheten kan bli dekket av snø. I områder der det kan ventes tungt snøfall, må det tas spesielle forholdsregler som å heve monteringsstedet eller montere en hette på luftinntaket, for å hindre at snø blokkerer luftinntaket eller blåser rett mot det. Dette kan redusere luftstrømmen og føre til funksjonssvikt.
- Unngå steder som eksponeres for olje, damp eller svovelgass.
- Bruk transporthåndtakene på utendørsenheten til å transportere enheten. Hvis enheten bæres etter bunnen, kan hender eller fingre komme i klem.

### 2.3. Utvendige dimensjoner (utendørsenhet) (fig. 2-1)

#### Restriksjoner for montering av innendørsenheter

Vær oppmerksom på at det er følgende modeller av innendørsenheter som kan kobles til denne utendørsenheten.

- Innendørsenheter med modellnumre 15–140 kan tilkobles.

Ved bruk av forgreningsboks kan innendørsenheter med modellnumre 15–100 tilkobles.

Se tabell 1 under for mulige kombinasjoner for rom og innendørsenheter.

#### Kontroll

Nominell kapasitet bør fastsettes ved å følge tabellen under. Enhetens antall er begrenset, som vist i tabell 2 under. Videre er det viktig å kontrollere at total nominell kapasitet er innenfor et område på 50 %–130 % av kapasiteten til utendørsenheten.

- PUMY-P112 6,3 – 16,2 kW
- PUMY-P125 7,1 – 18,2 kW
- PUMY-P140 8,0 – 20,2 kW

Tabell 1-1 City Multi-innendørsenheter (P-FY-serien)

Type innendørsenhet	P15*	P20	P25	P32	P40	P50	P63	P71	P80	P100	P125	P140
Nominell kapasitet (kjøling) (kW)	1,7	2,2	2,8	3,6	4,5	5,6	7,1	8,0	9,0	11,2	14,0	16,0

Tabell 1-2 (M-serien, P-serien, S-serien)

Type innendørsenhet	15	20	22	25	35	42	50	60	71	80	100
Nominell kapasitet (kjøling) (kW)	1,5	2,0	2,2	2,5	3,5	4,2	5,0	6,0	7,1	8,0	10,0

Kombinasjoner der den totale kapasiteten til innendørsenheterne overstiger kapasiteten til utendørsenheten, vil redusere kjølekapasiteten til hver innendørsenhet til under deres nominelle kjølekapasitet. Kombiner derfor, hvis mulig, innendørsenheter med en utendørsenhet innenfor kapasiteten til utendørsenheten.

\* Når alle innendørsenheterne er P15-modeller, kan det kobles 12 innendørsenheter til 1 utendørsenhet.

### 2.4. Tilkoble en PWFY-enhet

Når en PWFY-enhet brukes som innendørsenhet, må du huske på følgende, siden PWFY-enheten skiller seg fra andre innendørsenheter.

En PWFY-enhet kan ikke tilkobles innenfor EU.

#### 2.4.1. Tilkoblingsrestriksjoner

• Kun 1 PWFY-P100VM-E-AU kan tilkobles. PWFY-P200VM-E-AU og PWFY-P100VM-E-BU kan ikke tilkobles.

• PWFY-enheten kan ikke være eneste enhet som er koblet til en utendørsenhet. Velg en utendørsenhet slik at total nominell kapasitet for innendørsenheterne, unntatt PWFY-enheten, utgjør 50–100 % av kapasiteten til utendørsenheten.

Grenseverdier for total nominell kapasitet for innendørsenheterne når du tilkobler en PWFY-enhet

- PUMY-P112 (1 PWFY-enhet + ikke-PWFY-enheter [6,3 – 12,5 kW])
- PUMY-P125 (1 PWFY-enhet + ikke-PWFY-enheter [7,1 – 14,0 kW])
- PUMY-P140 (1 PWFY-enhet + ikke-PWFY-enheter [8,0 – 15,5 kW])

#### 2.4.2. Spesifikasjoner for innendørsenheter

Ved tilkobling av en PWFY-enhet til en PUMY-enhet vil spesifikasjonene under endres.

- PWFY-enheten kan kun kjøre i oppvarmingsmodus. PWFY-enheten kan ikke kjøre i kjølemodus. Andre innendørsenheter enn PWFY-enheten kan imidlertid kjøre i kjølemodus.
- De andre innendørsenheterne kan ikke kjøre samtidig som PWFY-enheten.
- Driften av PWFY-enheten har prioritet. Når PWFY-enheten er i driftsmodus, så vil de andre innendørsenheterne stanse.
- Temperaturinnstillingen på fjernkontrollen viser ønsket verdi for temperaturen på utløpsvann.

#### 2.4.3. Bryterinnstillinger (fig. 2-2)

Når en PWFY-enhet kobles til en PUMY-enhet, stilles DIP-bryter SW1-1, SW4-2 og SW4-6 på PWFY-enheten til PA.

#### 2.4.4. Testkjøring

Hvis testkjøringen utføres med bryterne på utendørsenheten, så vil PWFY-enheten ikke kjøre. Utfør testkjøringen med bryterne på PWFY-enheten eller med fjernkontrollen.

Du finner informasjon om hvordan du utfører testkjøringen i databoken eller servicehåndboken for PWFY-enheten.

#### 2.4.5. Opsamling av kjølemiddel (nedpumping)

Trinn ① i nedpumpingsprosedyren ber brukeren om å "kjøre alle innendørsenheter i kjølemodus". PWFY-enheten kan imidlertid ikke kjøre i kjølemodus.

Kjør derfor alle innendørsenheter unntatt PWFY-enheten i kjølemodus.

## 2. Monteringssted

### 2.5. Tilkoble en sylinder (EHST20C) eller hydroboks (EHSC)

Når du tilkobler en sylinder eller hydroboks må du huske på følgende, siden sylindere og hydrobokser skiller seg fra andre innendørsenheter.

#### 2.5.1. Tilkoblingsrestriksjoner

- Kun 1 sylinder (EHST20C) eller 1 hydroboks (EHSC) kan tilkobles. (EHST20C-MEC, EHST20D-serien, EHPT20X-serien, EHSD-serien, EHSC-MEC, ERSD-serien, ERSC-serien og EHPX-serien kan ikke tilkobles.)
- Ved tilkobling av Ecodan-systemer skal en PAC-MK32/52BC(B) forgreningsboks brukes. (En PAC-MK31/51BC(B)-forgreningsboks kan ikke brukes.)
- PWFY-enheter kan ikke tilkobles samtidig som en sylinder eller hydroboks.
- ATA-innendørsenheter\*1 med en total nominell kapasitet på 50 %–130 % av kapasiteten til utendørsenheten og 1 sylinder eller 1 hydroboks kan ikke tilkobles.

\*1 ATA-innendørsenhet: En innendørsenhet uten PWFY, sylinder og hydroboks.

PUMY-P112 1 sylinder eller 1 hydroboks + ATA-innendørsenheter [maks. 16,2 (1,3<sup>\*2</sup>) kW]

PUMY-P125 1 sylinder eller 1 hydroboks + ATA-innendørsenheter [maks. 18,2 (2,8<sup>\*2</sup>) kW]

PUMY-P140 1 sylinder eller 1 hydroboks + ATA-innendørsenheter [maks. 20,2 (4,3<sup>\*2</sup>) kW]

\*2 Hvis en sylinder og en hydroboks kjøres i oppvarmingsmodus/DHW-modus og ATA-innendørsenheter kjøres samtidig.

Følgende kombinasjoner kan imidlertid tilkobles.

· PUMY-P112: MSZ-SF15VE × 1

· PUMY-P125: MSZ-SF15VE × 2

· PUMY-P140: MSZ-SF15VE × 3

#### 2.5.2. Spesifikasjoner for innendørsenheter

Ved tilkobling av en sylinder eller hydroboks vil spesifikasjonene under endres.

- Sylindere eller hydrobokser kan ikke kjøre i kjølemodus.
- Driftsmodus for sylindere eller hydrobokser har alltid prioritet.
- Økonomisk modus ved DHW kan ikke brukes.
- Maksimal strømningsstemperatur er 55 °C. (DIP-bryter SW1-2 på sylindere eller hydrobokser må endres til AV.)
- Energoovervåking kan kun brukes når det er tilkoblet en ekstern strømmåler.
- Flere utendørsenheter kan ikke styres.
- En sylinder eller hydroboks kan ikke kobles til en M-NET-fjernkontroll og en sentralisert kontroll.
- Spørre på varmtvannsbeholder kan kun brukes når det skiftes til utendørs lufttemperatur.
- En sylinder eller hydroboks kan ikke grupperes med en ATA-innendørsenhet.
- Vær oppmerksom på punktene nedenfor hvis en sylinder eller hydroboks kjøres i **Oppvarmingsmodus** og ATA-innendørsenheter kjøres samtidig.
  - Varmestrømmens temperaturområde for sylindere eller hydrobokser er 45 °C–55 °C.
  - Still inn strømningstemperaturområdet i henhold til monteringshåndboken for sylindere eller hydrobokser.
  - Utendørstemperaturen må være –10 °C eller høyere. Når utendørstemperaturen er mindre enn 7 °C, senkes strømningsstemperaturen og utblåsingstemperaturen.
- Sylindere eller hydrobokser kan bare kjøres i **DHW-modus** samtidig som ATA-innendørsenheten kjøres når utendørstemperaturen er 7 °C eller høyere. De kan ikke kjøres samtidig når utendørstemperaturen er mindre enn 7 °C.

#### 2.5.3. Bryterinnstillinger

Ved tilkobling av en sylinder eller hydroboks til en PUMY-enhet, stiller du DIP-bryter SW1-2 på sylindere eller hydrobokser til AV.

#### 2.5.4. Testkjøring

Utfør testkjøring for sylindere eller hydrobokser fra innendørsenheten.

(Du finner flere detaljer om testkjøring i monteringshåndboken for sylindere eller hydrobokser.)

#### 2.5.5. Oppsamling av kjølemiddel (nedpumping)

Utfør prosedyrene i 7.3.

### 2.6. Tilkoble en innendørsenhet med kun kjøling

Hvis systemet har én eller flere innendørsenheter med kun kjøling, angir du hele systemet som kjølesystem.

Angi enhetene som vist i tabell 4.

Tabell 4 Innstillingsprosedyre for kun kjøling

Enhet		Innstilling
Utendørsenhet	PUMY-P-V/YKM(E)4	DIP-bryter SW2-6 på kretskort for flere kontroller: PÅ
Forgreningsboks	PAC-MK-BC(B)	DIP-bryter SW4-5 på kretskort for kontroll til forgreningsboks: PÅ
Innendørsenhet	CITY MULTI-serien	DIP-bryter SW3-1 på kretskort for kontroll til innendørsenhet: PÅ
	M-, S-, P-serien	Innstilling er ikke nødvendig.

### 2.7. Tilkoble PEFY-P-VMA3-E

Ved bruk av PEFY-P-VMA3-E skal følgende kombinasjoner benyttes for de tilkoblede innendørsenhetene.

	PUMY-P112	PUMY-P125	PUMY-P140
OK	PEFY-P25VMA3-E × 2 + PEFY-P32VMA3-E × 2	PEFY-P32VMA3-E × 4	PEFY-P32VMA3-E × 3 + PEFY-P40VMA3-E × 1
NEI	Alle kombinasjoner bortsett fra kombinasjonene over Eks. 1: PEFY-P25VMA3-E × 2 + PEFY-P32VMA3-E × 2 Eks. 2: PEFY-P25VMA3-E × 2 + PEFY-P32VMA3-E × 1 Eks. 3: PEFY-P32VMA3-E × 4 (En kombinasjon for PUMY-P125) Eks. 4: PEFY-P25VMA3-E × 2 + PEFY-P32VMA3-E × 2 + MSZ-FH25VE × 1	Alle kombinasjoner bortsett fra kombinasjonene over Eks. 1: PEFY-P32VMA3-E × 3 + PEFY-P32VMA3-E × 1 Eks. 2: PEFY-P32VMA3-E × 3 Eks. 3: PEFY-P25VMA3-E × 2 + PEFY-P32VMA3-E × 2 (En kombinasjon for PUMY-P112) Eks. 4: PEFY-P32VMA3-E × 3 + PLFY-P20VFM-E × 1 + SEZ-KD25VA × 1	Alle kombinasjoner bortsett fra kombinasjonene over Eks. 1: PEFY-P32VMA3-E × 3 + PEFY-P40VMA3-E × 1 Eks. 2: PEFY-P32VMA3-E × 2 + PEFY-P40VMA3-E × 1 Eks. 3: PEFY-P32VMA3-E × 4 (En kombinasjon for PUMY-P125) Eks. 4: PEFY-P32VMA3-E × 3 + PCFY-P40VKM-E × 1 + MSZ-SF15VA × 1

Eks. 1: Det er valgt en annen skjult, takmontert enhet enn VMA3-serien.  
Kombinasjoner med en annen skjult, takmontert serie er ikke mulig.  
Eks. 2: Antall enheter er feil.  
Eks. 3: Kombinasjonen er for en enhet med en annen kapasitet.  
Eks. 4: Kombinasjonen er ikke en "OK" kombinasjon.

### 2.8. Tilkoble PLFY-EP-VEM-E

For PLFY-EP-VEM-E kan opptil 2 enheter tilkobles.

Andre innendørsenheter\*1 kan tilkobles innenfor total beregnet kapasitet og maksimum antall tilkoblede enheter.

\*1 Ekskludert PEFY-P-VMA3-E og PEFY-P-VMH-EF.

## 2. Monteringssted

### 2.9. Ventilasjons- og servicerom

#### 2.9.1. Ved montering av enkelt utendørsenhet

Minimumsdimensjoner er som følger, unntatt der det er indikert Maks., som står for maksimumsdimensjoner.

Se tallene for hvert tilfelle.

- ① Hindringer kun bak (fig. 2-3)
- ② Hindringer kun bak og over (fig. 2-4)
  - \* Ikke monter luftløpskanaler for oppadgående luftstrøm (ekstrautstyr).
- ③ Hindringer kun bak og på sidene (fig. 2-5)
  - \* Ved bruk av luftløpskanal (ekstrautstyr), er klaringen 500 mm eller mer.
- ④ Hindringer kun foran (fig. 2-6)
  - \* Ved bruk av luftløpskanal (ekstrautstyr), er klaringen 1000 mm eller mer.
- ⑤ Hindringer kun foran og bak (fig. 2-7)
  - \* Ved bruk av luftløpskanal (ekstrautstyr), er klaringen 1000 mm eller mer.
- ⑥ Hindringer kun bak, på sidene og over (fig. 2-8)
  - \* Ikke monter luftløpskanaler for oppadgående luftstrøm (ekstrautstyr).

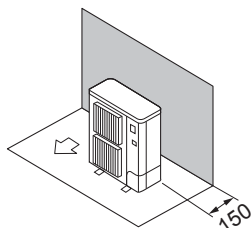


Fig. 2-3

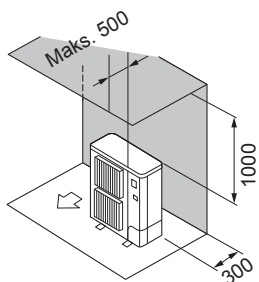


Fig. 2-4

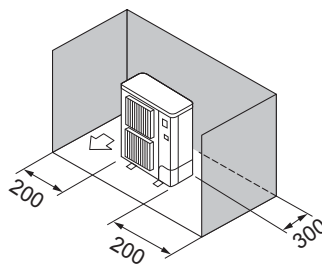


Fig. 2-5

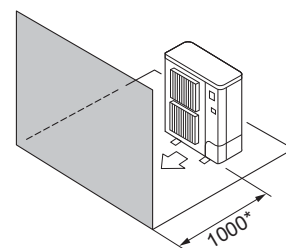


Fig. 2-6

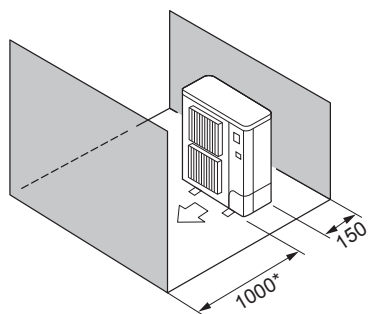


Fig. 2-7

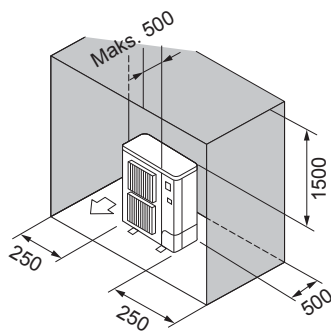


Fig. 2-8

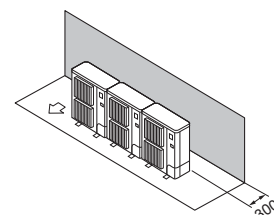


Fig. 2-9

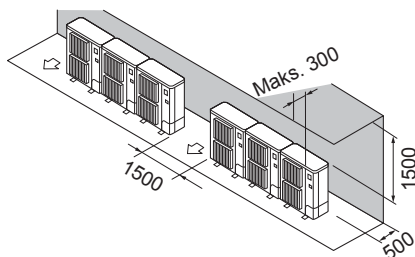


Fig. 2-10

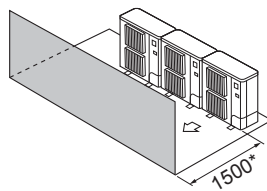


Fig. 2-11

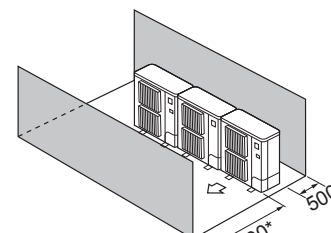


Fig. 2-12

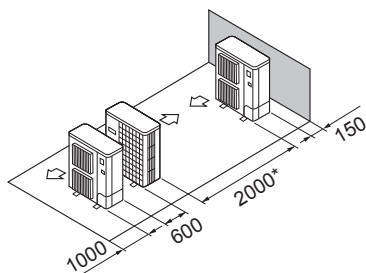


Fig. 2-13

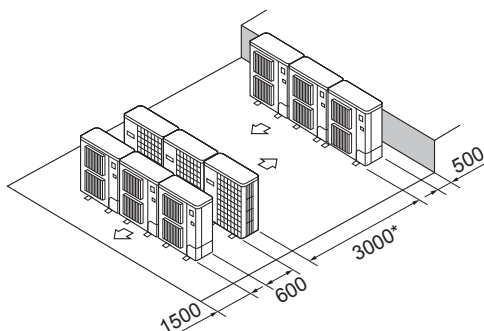


Fig. 2-14

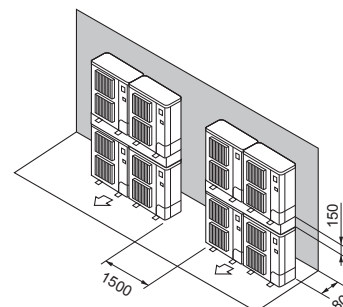


Fig. 2-15

#### 2.9.2. Ved montering av flere utendørsenheter

La det være 25 mm eller mer mellom enhetene.

- ① Hindringer kun bak (fig. 2-9)
- ② Hindringer kun bak og over (fig. 2-10)
  - \* Det kan ikke monteres mer enn tre enheter ved siden av hverandre. I tillegg må det være rom mellom dem som vist.
  - \* Ikke monter luftløpskanaler for oppadgående luftstrøm (ekstrautstyr).
- ③ Hindringer kun foran (fig. 2-11)
  - \* Ved bruk av luftløpskanal (ekstrautstyr), er klaringen 1000 mm eller mer.
- ④ Hindringer kun foran og bak (fig. 2-12)
  - \* Ved bruk av luftløpskanal (ekstrautstyr), er klaringen 1000 mm eller mer.
- ⑤ Plassering av enkel parallell enhet (fig. 2-13)
  - \* Ved bruk av luftløpskanal (ekstrautstyr) montert for oppadgående luftstrøm, er klaringen 1000 mm eller mer.
- ⑥ Plassering av flere parallellenheter (fig. 2-14)
  - \* Ved bruk av luftløpskanal (ekstrautstyr) montert for oppadgående luftstrøm, er klaringen 1500 mm eller mer.
- ⑦ Plassering av stablede enheter (fig. 2-15)
  - \* Enhetene kan stables opptil to enheter i høyden.
  - \* Det kan ikke monteres mer enn to stablede enheter ved siden av hverandre. I tillegg må det være rom mellom dem som vist.

## 2. Monteringssted

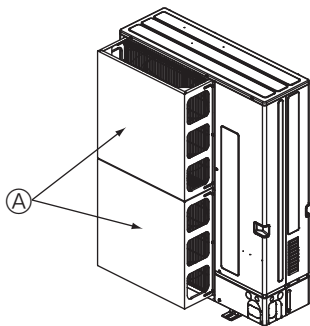


Fig. 2-16

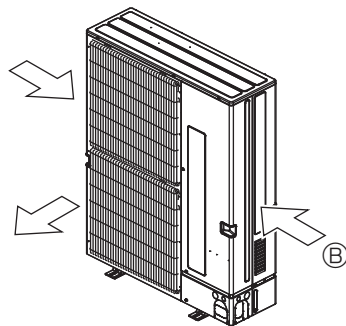


Fig. 2-17

### 2.9.3. Montering på sted med mye vind

Ved montering av utendørsenheten på et tak eller annet sted som ikke er skjermet fra vinden, må luftløpet til enheten plasseres slik at det ikke er direkte eksponert for sterk vind. Sterk vind som kommer inn i luftløpet kan forhindre normal luftstrøm, noe som kan føre til en funksjonsfeil.

Nedenfor finner du to eksempler på forholdsregler mot sterk vind.

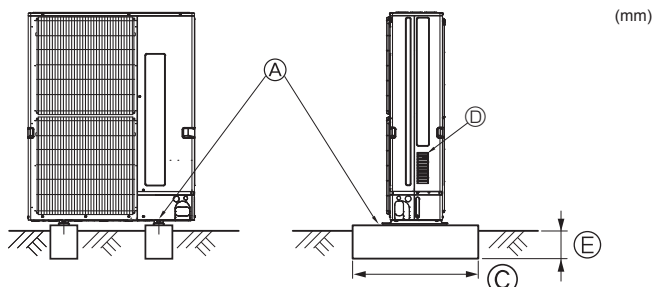
① Monter en luftkanal (ekstraustyr) hvis enheten monteres på et sted der sterk vind fra en orkan osv. kan komme direkte inn i luftløpet. (Fig. 2-16)

Ⓐ Luftkanal

② Posisjoner enheten slik at luftløpet står vinkelrett på den rådende vindretningen for årstiden, hvis det er mulig. (Fig. 2-17)

Ⓔ Vindretning

## 3. Montere utendørsenheten



(mm)

• Sørg for å montere enheten på et solid, plant underlag. Det vil forhindre klappelyder under drift. (Fig. 3-1)

<Fundamentspesifikasjoner>

Fundamentbolt	M10 (3/8")
Betongtykkelse	120 mm
Boltens lengde	70 mm
Vektbærende kapasitet	320 kg

• Sørg for at lengden på fundamentbolten er mindre enn 30 mm fra fundamentbunnens overflate.

• Fest sokkelen til enheten forsvarlig med fire M10-fundamentbolter på et stødig underlag.

#### Montere utendørsenheten

• Ikke blokker luftåpningen. Hvis luftåpningen blokkeres, vil driften bli hindret og det kan føre til funksjonssvikt.

• I tillegg til enhetssokkelen, bruk monteringshullene på baksiden av enheten til å feste valere osv., hvis det er nødvendig for å montere enheten. Bruk selvtappende skruer (ø5 × 15 mm eller mindre) og monter på stedet.

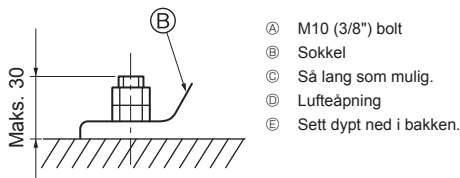
#### ⚠ Advarsel:

• Enheten må monteres forsvarlig på en struktur som tåler dens vekt. Hvis enheten monteres på en ustabil struktur, kan den falle ned og forårsake skade på eiendom eller personer.

• Enheten må monteres i henhold til instruksene for å minimere risikoen for skade som følge av jordskjelv, orkan eller sterk vind. En feilmontert enhet kan falle ned og forårsake skade på eiendom eller personer.

#### ⚠ Forsiktig:

• Monter enheten på en stabil struktur for å forhindre unødvendig driftsstøy eller vibrering.



- Ⓐ M10 (3/8") bolt
- Ⓑ Sokkel
- Ⓒ Så lang som mulig.
- Ⓓ Lufteåpning
- Ⓔ Sett dypt ned i bakken.

Maks. 30

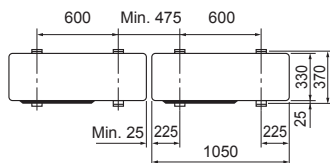


Fig. 3-1

## 4. Montere kjølemiddelrør

### 4.1. Forholdsregler for innretninger som bruker kjølemiddelet R410A

• Se side 267 for forholdsregler som ikke står nedenfor om bruk av klimaanlegg med kjølemiddelet R410A.

• Bruk esterolje, eterolje, alkylbenzenolje (liten mengde) som kjøleolje som påføres de konisk utvidede delene.

• Bruk C1220 kopperfosfor, for sømløse rør laget av kobber eller kobberlegeringer, til å koble sammen kjølemiddelrør. Bruk kjølemiddelrør som har den tykkelsen som er spesifisert i tabellen nedenfor. Sørg for at rørene er rene innvendig og ikke inneholder noen skadelige kontaminanter, som for eksempel svovelforbindelser, oksidanter, rusk eller støv.

#### ⚠ Advarsel:

Ved montering eller flytting, eller service på klimaanlegget, må det bare brukes spesifisert kjølemedium (R410A) i kjølemediumrørene. Ikke bland den med andre kjølemedier, og ikke la det være igjen luft i rørene.

Hvis det blandes luft i kjølemediet, kan det forårsake unormalt høyt trykk i kjølemediumrøret, som kan føre til eksplosjon og andre farer.

Bruk av andre kjølemedier enn det som er spesifisert for systemet, vil forårsake mekanisk svikt, systemsvikt eller havari av enheten. I verste fall kan dette føre til at det blir veldig vanskelig å opprettholde produktsikkerheten.

ø6,35, ø9,52, ø12,7	Tykkelse 0,8 mm
ø15,88	Tykkelse 1,0 mm

• Ikke bruk rør som er tynnere enn spesifisert ovenfor.

• Tykkelsen som er angitt i tabellen over, er basert på japanske standarder. Bruk rør med et maksimalt arbeidstrykk på 4,15 MPa [601 PSIG] eller høyere, i henhold til lokale standarder.

## 4. Montere kjølemiddelrør

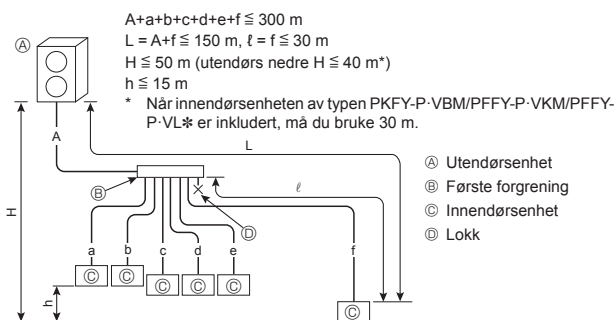
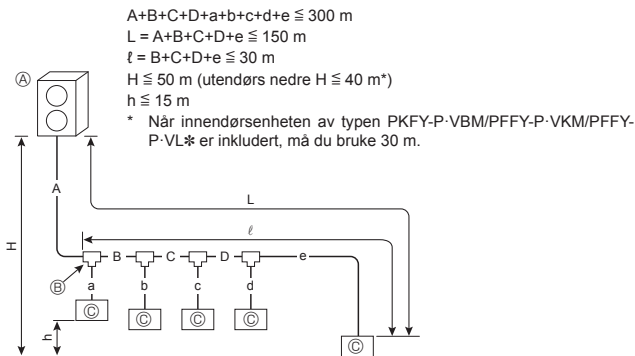


Fig. 4-1

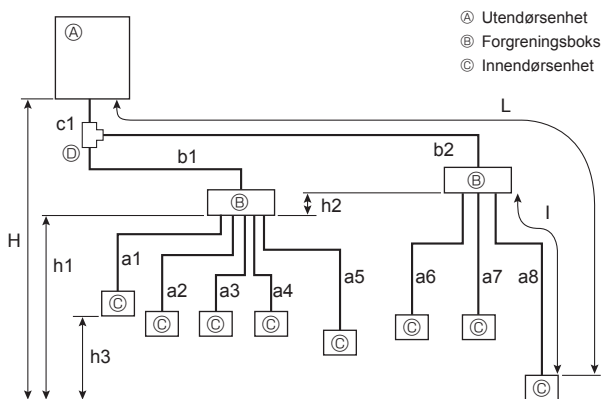


Fig. 4-2

Tillatt lengde (enveis)	Total rørlengde	$c1 + b1 + b2 + a1 + a2 + a3 + a4 + a5 + a6 + a7 + a8 \leq 150$ m
	Borteste rørlengde (L)	$c1 + b2 + a8 \leq 80$ m
	Rørlengde mellom utendørsenhet og forgreningsbokser	$c1 + b1 + b2 \leq 55$ m
	Borteste forgreningsboks fra første skjøt (b2)	$b2 \leq 30$ m
	Borteste rørlengde etter forgreningsboks (l)	$a8 \leq 25$ m
Tillatt høydeforskjell (enveis)	Total rørlengde mellom forgreningsbokser og innendørsenheter	$a1 + a2 + a3 + a4 + a5 + a6 + a7 + a8 \leq 95$ m
	I delen innendørs/utendørs (H) *1	$H \leq 50$ m (hvis utendørsenhet er satt høyere enn innendørsenhet) $H \leq 40$ m (hvis utendørsenhet er satt lavere enn innendørsenhet)
	I delen forgreningsboks/innendørsenhet (h1)	$h1 + h2 \leq 15$ m
	I hver forgreningsenhet (h2)	$h2 \leq 15$ m
	I hver innendørsenhet (h3)	$h3 \leq 12$ m
Antall bend		$ c1 + b1 + a1 ,  c1 + b1 + a2 ,  c1 + b1 + a3 ,  c1 + b1 + a4 ,  c1 + b1 + a5 ,  c1 + b2 + a6 ,  c1 + b2 + a7 ,  c1 + b2 + a8  \leq 15$

\*1 Forgreningsboksen bør plasseres i nivået mellom utendørsenheten og innendørsenhetene.

## 4.2. Rørlengde og høydeforskjell

### 4.2.1. Tilkobling uten forgreningsboks (fig. 4-1)

A	(mm)	
	A Væskerør	B Gassrør
PUMY-P112-140	ø9,52	ø15,88

B, C, D	(mm)	
C Total kapasitet for innendørsenheter	A Væskerør	B Gassrør
	ø9,52	ø15,88

a, b, c, d, e, f	(mm)	
D Modellnummer	A Væskerør	B Gassrør
15, 20, 25, 32, 40, 50	ø6,35	ø12,7
63, 80, 100, 125, 140	ø9,52	ø15,88

E Modell med forgreningssett
CMY-Y62-G-E

F Samlerør med 4-forgreninger	G Samlerør med 8-forgreninger
CMY-Y64-G-E	CMY-Y68-G-E

\* Ved tilkobling av TILKOBLINGSSETTET (PAC-LV11M-J) og en innendørsenhet i M-serien, kan du se i monteringshåndboken for TILKOBLINGSSETTET for valg av rørstørrelse og rørlengde.

### 4.2.2. Tilkobling med forgreningsboks (fig. 4-2)

- Denne enheten har leppeformede tilkoblinger på hver side av innendørsenhetene og forgreningsboksen og utendørsenheten.
- Fjern ventildekset på utendørsenheten, og tilkoble røret.
- Kjølemiddelrør brukes til å tilkoble forgreningsboksen og utendørsenheten.



## 4. Montere kjølemiddelrør

### 4.2.3. Blandet system (City Multi-innendørsenheter og innendørsenheter i M-, S- og P-serien via forgreningsboks) (fig. 4-3)

#### 1. Ved bruk av bokser med 1-forgrening

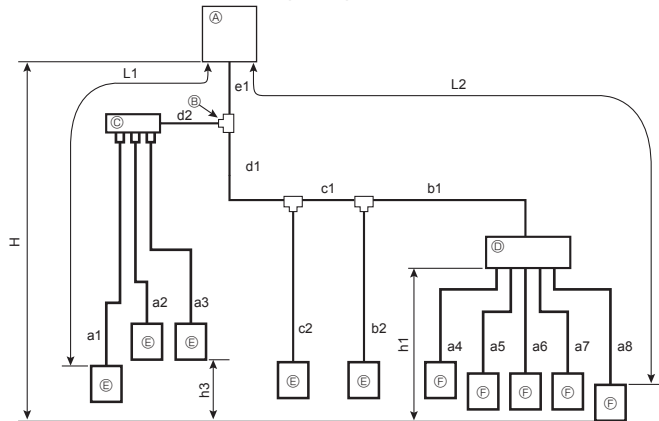


Fig. 4-3 (a)

- Ⓐ Utendørsenhet
  - Ⓑ Første skjøt
  - Ⓒ Samlerør med forgreninger (CMY)
  - Ⓓ Forgreningsboks (PAC-MK-BC(B))
  - Ⓔ City Multi-innendørsenhet\*
  - Ⓕ Innendørsenhet i M-, S- og P-serien, sylinder eller hydroboks
- \* Innendørsenhetene av typen PKFY-P-VBM, PFFY-P-VKM og PFFY-P-VL\* kan ikke brukes i et blandet system.

Tillatt lengde (enveis)	Total rørlengde	$e1 + d1 + d2 + c1 + c2 + b1 + b2 + a1 + a2 + a3 + a4 + a5 + a6 + a7 + a8 \leq 300 \text{ m} *3$
	Borterste rørlengde (L1)	$e1 + d2 + a1$ eller $e1 + d1 + c1 + b2 \leq 85 \text{ m}$
	Borterste rørlengde. Via forgreningsboks (L2)	$e1 + d1 + c1 + b1 + a8 \leq 80 \text{ m}$
	Rørlengde mellom utendørsenhet og forgreningsboks	$e1 + d1 + c1 + b1 \leq 55 \text{ m}$
	Borterste rørlengde fra første skjøt	$d1 + c1 + b1, d1 + c1 + b2, d1 + c2$ eller $d2 + c1 \leq 30 \text{ m}$
	Borterste rørlengde etter forgreningsboks	$a8 \leq 25 \text{ m}$
	Total rørlengde mellom forgreningsbokser og innendørsenheter	$a4 + a5 + a6 + a7 + a8 \leq 95 \text{ m}$
Tillatt høydeforskjell (enveis)	I delen innendørs/utendørs (H) *2	$H \leq 50 \text{ m}$ (hvis utendørsenhet er satt høyere enn innendørsenhet) $H \leq 40 \text{ m}$ (hvis utendørsenhet er satt lavere enn innendørsenhet)
	I delen forgreningsboks/innendørsenhet (h1)	$h1 \leq 15 \text{ m}$
	I hver innendørsenhet (h3)	$h3 \leq 12 \text{ m}$
Antall bend		$ e1 + d2 + a1 ,  e1 + d2 + a2 ,  e1 + d2 + a3 ,  e1 + d1 + c2 ,  e1 + d1 + c1 + b2 ,  e1 + d1 + c1 + b1 + a4 ,  e1 + d1 + c1 + b1 + a5 ,  e1 + d1 + c1 + b1 + a6 ,  e1 + d1 + c1 + b1 + a7 ,  e1 + d1 + c1 + b1 + a8  \leq 15$

\*2: Forgreningsboksen bør plasseres i nivået mellom utendørsenheten og innendørsenhetene.

\*3: Når en sylinder eller hydroboks er tilkoblet, er maksimal rørlengde 150 m.

#### 2. Ved bruk av bokser med 2-forgrening

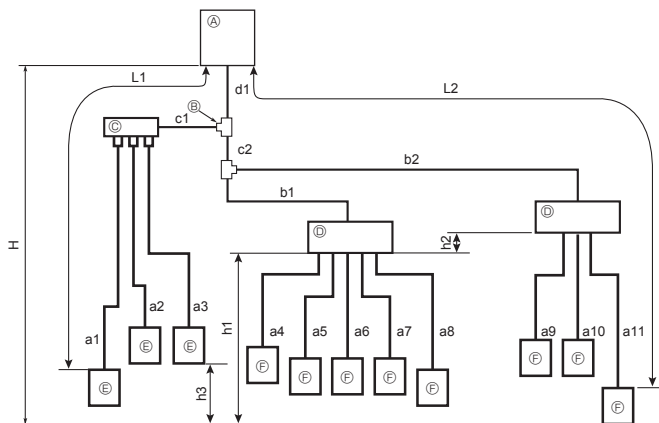


Fig. 4-3 (b)

- Ⓐ Utendørsenhet
  - Ⓑ Første skjøt
  - Ⓒ Samlerør med forgreninger (CMY)
  - Ⓓ Forgreningsboks (PAC-MK-BC(B))
  - Ⓔ City Multi-innendørsenhet\*
  - Ⓕ Innendørsenhet i M-, S- og P-serien, sylinder eller hydroboks
- \* Innendørsenhetene av typen PKFY-P-VBM, PFFY-P-VKM og PFFY-P-VL\* kan ikke brukes i et blandet system.

Tillatt lengde (enveis)	Total rørlengde	$d1 + c1 + c2 + b1 + b2 + a1 + a2 + a3 + a4 + a5 + a6 + a7 + a8 + a9 + a10 + a11 \leq 240 \text{ m} *3$
	Borterste rørlengde (L1)	$d1 + c1 + a1 \leq 85 \text{ m}$
	Borterste rørlengde. Via forgreningsboks (L2)	$d1 + c2 + b2 + a11 \leq 80 \text{ m}$
	Rørlengde mellom utendørsenhet og forgreningsbokser	$d1 + c2 + b1 + b2 \leq 55 \text{ m}$
	Borterste rørlengde fra første skjøt	$c2 + b2$ eller $c1 + a1 \leq 30 \text{ m}$
	Borterste rørlengde etter forgreningsboks	$a11 \leq 25 \text{ m}$
	Borterste forgreningsboks fra utendørsenhet	$d1 + c2 + b2 \leq 55 \text{ m}$
Total rørlengde mellom forgreningsbokser og innendørsenheter	$a4 + a5 + a6 + a7 + a8 + a9 + a10 + a11 \leq 95 \text{ m}$	
Tillatt høydeforskjell (enveis)	I delen innendørs/utendørs (H) *2	$H \leq 50 \text{ m}$ (hvis utendørsenhet er satt høyere enn innendørsenhet) $H \leq 40 \text{ m}$ (hvis utendørsenhet er satt lavere enn innendørsenhet)
	I delen forgreningsboks/innendørsenhet (h1+h2)	$h1 + h2 \leq 15 \text{ m}$
	I hver forgreningsenhet (h1)	$h2 \leq 15 \text{ m}$
	I hver innendørsenhet (h3)	$h3 \leq 12 \text{ m}$
Antall bend		$ d1 + c1 + a1 ,  d1 + c1 + a2 ,  d1 + c1 + a3 ,  d1 + c2 + b1 + a4 ,  d1 + c2 + b1 + a5 ,  d1 + c2 + b1 + a6 ,  d1 + c2 + b1 + a7 ,  d1 + c2 + b1 + a8 ,  d1 + c2 + b2 + a9 ,  d1 + c2 + b2 + a10 ,  d1 + c2 + b2 + a11  \leq 15$

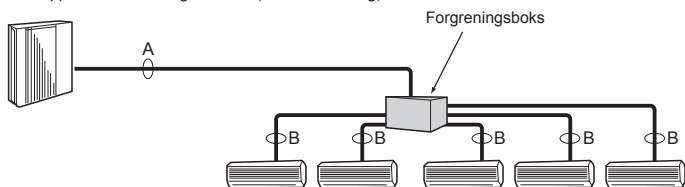
\*2: Forgreningsboksen bør plasseres i nivået mellom utendørsenheten og innendørsenhetene.

\*3: Når en sylinder eller hydroboks er tilkoblet, er maksimal rørlengde 150 m.

## 4. Montere kjølemiddelrør

### ■ Ved bruk av boks med 1-forgrening

Leppeformet tilkobling er brukt. (ant. hardlodding)



### ■ Ved bruk av bokser med 2-forgreninger

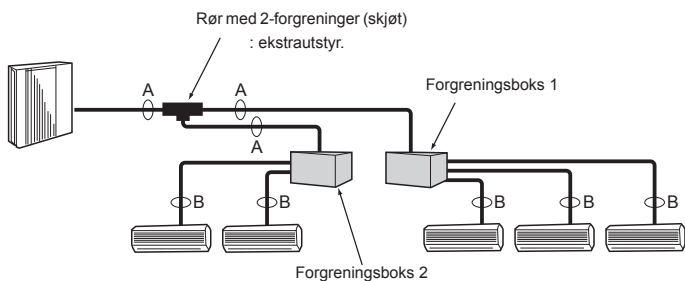


Fig. 4-4

(1) Ventilstørrelse for utendørsenhet

For væske	ø9,52 mm
For gass	ø15,88 mm

(2) Ventilstørrelse for forgreningsboks

ENHET	Væskerør	Gassrør	Ø
A ENHET	Væskerør	Gassrør	ø6,35 mm / ø9,52 mm
	Væskerør	Gassrør	ø6,35 mm / ø9,52 mm
B ENHET	Væskerør	Gassrør	ø6,35 mm / ø9,52 mm
	Væskerør	Gassrør	ø6,35 mm / ø12,7 mm

\* Type med 3-forgreninger: kun enhet A, B, C

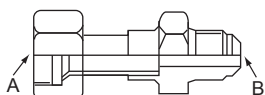


Fig. 4-5

Omregningsformel

1/4 F	ø6,35
3/8 F	ø9,52
1/2 F	ø12,7
5/8 F	ø15,88
3/4 F	ø19,05

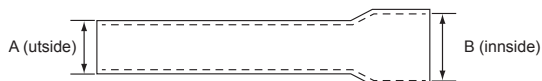


Fig. 4-6

## 4.3. Velge rørstørrelse

### 4.3.1. Tilkobling uten forgreningsboks

		Innendørsenhet		Utendørsenhet
		15-50	63-140	112-140
Gasside	Rørstørrelse (mm)	ø12,7	ø15,88	ø15,88
Væskeside	Rørstørrelse (mm)	ø6,35	ø9,52	ø9,52

### 4.3.2. Tilkobling med forgreningsboks (fig. 4-4)

	A	B
Væske (mm)	ø9,52	Størrelsen på rørtilkoblingen varierer etter typen og kapasiteten til innendørsenhetene. Bruk samme størrelse på rørtilkoblingen for forgreningsboksen som for innendørsenheten. Hvis størrelsen på rørtilkoblingen for forgreningsboksen ikke er lik størrelsen på rørtilkoblingen for innendørsenheten, bruker du ekstrautstyret med skjøter med ulik diameter (deformert) på siden for forgreningsboksen. (Koble deformert skjøt direkte til siden for forgreningsboksen.)
Gass (mm)	ø15,88	

### Skjøt med ulik diameter (ekstrautstyr) (fig. 4-5)

Modellnavn	Diameter på tilkoblede rør	Diameter A	Diameter B
	mm	mm	mm
MAC-A454JP	ø9,52 → ø12,7	ø9,52	ø12,7
MAC-A455JP	ø12,7 → ø9,52	ø12,7	ø9,52
MAC-A456JP	ø12,7 → ø15,88	ø12,7	ø15,88
PAC-493PI	ø6,35 → ø9,52	ø6,35	ø9,52
PAC-SG76RJ-E	ø9,52 → ø15,88	ø9,52	ø15,88

### Skjøt med ulik diameter (ekstrautstyr) (fig. 4-6)

Modellnavn	Diameter på tilkoblede rør	Utendørs diameter A	Innvendig diameter B
	mm	mm	mm
PAC-SG78RJB-E	ø9,52 → ø12,7	ø9,52	ø12,7
PAC-SG79RJB-E	ø12,7 → ø9,52	ø12,7	ø9,52
PAC-SG80RJB-E	ø12,7 → ø15,88	ø12,7	ø15,88
PAC-SG77RJB-E	ø6,35 → ø9,52	ø6,35	ø9,52
PAC-SG76RJB-E	ø9,52 → ø15,88	ø9,52	ø15,88

### Rørtilpasning

① Tabellen under viser spesifikasjoner på rør tilgjengelig i vanlig handel.

Utendørs diameter	Isolasjonstykkel	Isoleringsmateriale
mm	mm	
6,35	8	
9,52	8	
12,7	8	
15,88	8	

Varmebestandig skumplast 0,045 egenvekt

② Sikre at de 2 kjølemediumpårene er godt isolert for å forhindre kondens.

③ Kjølemediumpårens bøyradius må være 100 mm eller mer.

### ⚠ Forsiktig:

Forsikre deg om at du bruker isolasjon i spesifisert tykkelse. Overdreven tykkelse kan føre til feilaktig montering av innendørsenheten og forgreningsboksen, og for liten tykkelse kan føre til at det drypper kondens.

### Rør med 2-forgreninger (skjøt): Ekstrautstyr (velg fritt ut fra tilkoblingsmåte)

Modellnavn	Tilkoblingsmåte
MSDD-50AR-E	kone
MSDD-50BR-E	hardlodding

### ■ Monteringsprosedyre (rør med 2 forgreninger (skjøt))

Se i monteringshåndbøkene for MSDD-50AR-E og MSDD-50BR-E.

### ■ Rørstørrelse (utendørsenhet-forgreningsboks)

	A Væskerør	B Gassrør
PUMY-P112-140	ø9,52	ø15,88

### ■ Rørstørrelse (forgreningsboks-innendørsenhet) Ved innendørsenhet i M-serien eller S-serien\*1

Serie av innendørsenhet	Modellnummer	A Væskerør	B Gassrør
M-serien eller S-serien	15~42	ø6,35	ø9,52
	50	ø6,35	ø12,7
	60	ø6,35	ø15,88
	71~80	ø9,52	ø15,88
P-serien	35, 50 *2	ø6,35	ø12,7
	60~100	ø9,52	ø15,88
Sylinder	-	ø9,52	ø15,88
Hydroboks	-	ø9,52	ø15,88

\*1 Oppstillingen for en innendørsenhet som kan tilkobles, avhenger av distriktet/området/landet.

\*2 Ved bruk av type 35, 50 av innendørsenhet i P-serien skal du bruke leppemutteren som er festet til innendørsenheten. Ikke bruk leppemutteren i ekstrautstyret for innendørsenheten. Hvis den brukes, kan det føre til gasslekkasje eller at røret blir trukket ut.

## 4. Montere kjølemiddelrør

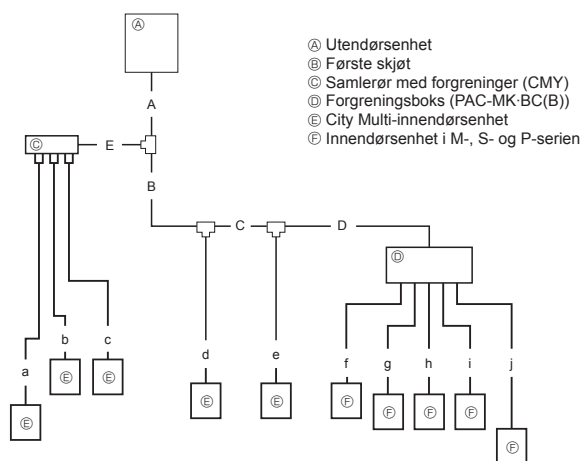


Fig. 4-7

### 4.3.3. Blandet system (City Multi-innendørsenheter og innendørsenheter i M-, S- og P-serien via forgreningsboks) (Fig. 4-7)

#### Rørstørrelse

A, B, C, D, E

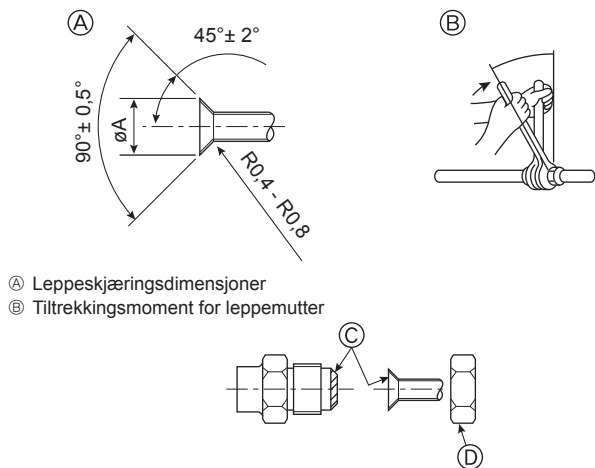
	A Væskerør	B Gassrør
PUMY-P112-140	ø9,52	ø15,88

a, b, c~j

Serie av innendørsenhet	Modellnummer	A Væskerør	B Gassrør
City Multi	15~50	ø6,35	ø12,7
	63~140	ø9,52	ø15,88
M-serien eller S-serien	15~42	ø6,35	ø9,52
	50	ø6,35	ø12,7
	60	ø6,35	ø15,88
P-serien	71~80	ø9,52	ø15,88
	35, 50 *1	ø6,35	ø12,7
Sylinder Hydroboks	-	ø9,52	ø15,88
		ø9,52	ø15,88
Skjøt med 2-forgreninger	CMY-Y62-G-E		
Samlerør med 4-forgreninger	CMY-Y64-G-E		
Samlerør med 8-forgreninger	CMY-Y68-G-E		

\*1 Ved bruk av type 35, 50 av innendørsenhet i P-serien skal du bruke leppemutteren som er festet til innendørsenheten. Ikke bruk leppemutteren i ekstrautstyret for innendørsenheten. Hvis den brukes, kan det føre til gasslekkasje eller at røret blir trukket ut.

## 4. Montere kjølemiddelrør



- Ⓐ Leppeskjæringsdimensjoner  
Ⓑ Tiltrekkingmoment for leppemutter

Fig. 4-8

Ⓐ (Fig. 4-8)

Kopperrør U.D. (mm)	Leppedimensjoner øA-dimensjoner (mm)
ø6,35	8,7 - 9,1
ø9,52	12,8 - 13,2
ø12,7	16,2 - 16,6
ø15,88	19,3 - 19,7

Ⓑ (Fig. 4-8)

Kopperrør U.D. (mm)	Kragemutter U.D. (mm)	Tiltrekkingmoment (N·m)
ø6,35	17	14 - 18
ø6,35	22	34 - 42
ø9,52	22	34 - 42
ø12,7	26	49 - 61
ø12,7	29	68 - 82
ø15,88	29	68 - 82
ø15,88	36	100 - 120

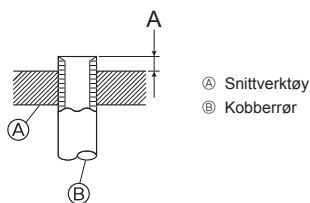


Fig. 4-9

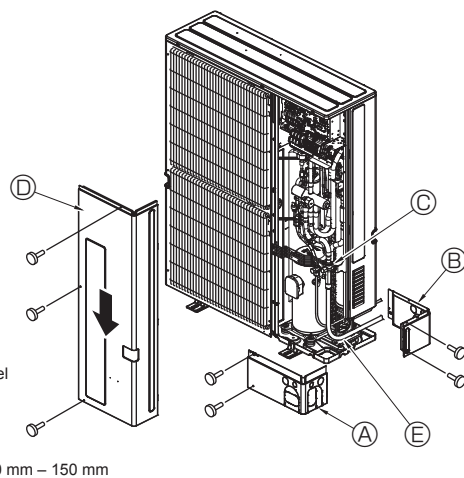


Fig. 4-10

### 4.4. Kople til rør (fig. 4-8)

- Utfør tilstrekkelig arbeid som motvirker kondens og sikrer isolering slik at det ikke drypper vann fra kjølemiddelrøret. (væskerør/gassrør)
- Øk isoleringen avhengig av omgivelsene der kjølemiddelrøret er montert, for ellers kan det dannes kondens på overflaten til isolasjonsmaterialet. (Varmebestandig temperatur for isolasjonsmateriale: 120 °C, tykkelse: 15 mm eller mer)
- \* Når kjølemiddelrøret brukes på steder som er utsatt for høy temperatur og fuktighet, slik som på loft, kan det være nødvendig med tykkere isolering.
- Når du skal isolere kjølemiddelrøret, påfører du varmebestandig polyetylenkum mellom innendørsenheten og isolasjonsmaterialet, samt på nettet mellom isolasjonsmaterialet for å tette igjen alle åpninger. (Hvis det dannes kondens på røret, kan det føre til kondens i rommet eller brannskader ved kontakt med røret.)
- Innendørsdelene av avløpsrøret skal vikles med isolasjonsmateriale laget av polyetylenkumplast (egenvekt 0,03, tykkelse 9 mm eller mer).
- Påfør et tynt lag med kjølevæskeolje på rør og skjøtseteflater før du strammer leppemutteren. Ⓐ
- Bruk to nøkler til å stramme rørkoplingene. Ⓑ
- Bruk leppemutrene til følgende størrelser. Ⓒ
- Vær varsom når rørene bøyes, slik at de ikke brytes. Bøyeradius på 100 mm til 150 mm er tilstrekkelig.
- Sørg for at rørene ikke kommer i kontakt med kompressoren. Det kan føre til unormal støy eller vibrasjon.

- ① Rørene må først tilkobles fra innendørsenheten. Leppemutter må strammes med en momentnøkkel.
- ② Lag lepper på væskerørene og gassrørene, og påfør et tynt lag med kjøleolje (påføres på stedet).
- Når det brukes vanlig rørtetting, kan du se på tabell 3 for utvidelse av rør for R410A-kjølemiddel. Størrelsejusteringsmåleren kan brukes til å bekrefte A-målene.

#### ⚠ Advarsel:

Ved montering av enheten må kjølemiddelrørene koples forsvarlig til før kompressoren startes.

\* Ved tilkobling av TILKOBLINGSSETTET (PAC-LV11M-J) kan du se i monteringshåndboken for TILKOBLINGSSETTET.

Tabell 3 (fig. 4-9)

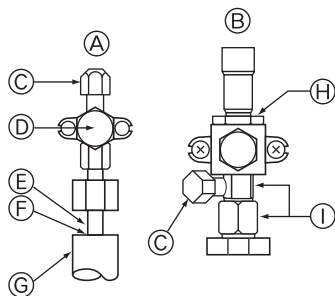
Kopperrør U.D. (mm)	A (mm)	
	Kragingsverktøy for R410A	Leppeverktøy for R22-R407C
	Clutchtype	
ø6,35	0 - 0,5	1,0 - 1,5
ø9,52	0 - 0,5	1,0 - 1,5
ø12,7	0 - 0,5	1,0 - 1,5
ø15,88	0 - 0,5	1,0 - 1,5
ø19,05	0 - 0,5	1,0 - 1,5

### 4.5. Kjølemiddelrør (fig. 4-10)

Fjern servicepanelet Ⓓ (tre skruer) og det fremre rørdekslet Ⓐ (to skruer) og det bakre rørdekslet Ⓑ (to skruer).

- ① Koble sammen rørene mellom innendørs-/utendørsenheten når utendørsenhets stengeventil er helt stengt.
- ② Tøm innendørsenheten og forbindelsesrør for luft ved bruk av vakuumpumpe.
- ③ Etter tilkobling av kjølemiddelrørene må du kontrollere de tilkoblede rørene og innendørsenheten for gasslekkasjer. (Se 4.6. Metode for å teste om kjølemiddelrør er lufttette)
- ④ Tøm kjølemiddelrørene gjennom serviceporten i stengeventilen for væske og for gass. Åpne deretter stengeventilene helt (for både væske og gass). Dette vil tilkoble kjølemiddelrørene helt til innendørs- og utendørsenheten.
  - Hvis stengeventilene forblir stengt og enheten tas i bruk, vil kompressoren og reguleringsventilene bli skadet.
  - Bruk en lekkasjedetektor eller såpevann til å finne eventuelle lekkasjer i rørforbindelsesdelene i utendørsenheten.
  - Ikke bruk kjølemiddel fra enheten til å tvinge luft ut av kjølemiddelrørene.
  - Etter fullført ventilarbeid skal ventillokkene strammes til korrekt moment: 20 til 25 N·m (200 til 250 kgf·cm). Hvis du lar være å sette på og stramme lokkene, kan de føre til kjølemiddel-lekkasje. Dessuten må du ikke skade innsiden av ventillokkene ettersom de fungerer som tetninger som forhindrer kjølemiddel-lekkasje.
- ⑤ Bruk tetningsmiddel til å forsegle endene på varmeisolasjonen rundt rørforbindelsesdelene for å forhindre at det kommer vann inn i varmeisolasjonen.

## 4. Montere kjølemiddelrør



- Ⓐ Stengeventil <væskeside>
- Ⓑ Stengeventil <gasside>
- Ⓒ Serviceport
- Ⓓ Åpne/lukke-del
- Ⓔ Lokalrør
- Ⓕ Forseglet, på samme måte for gassiden
- Ⓖ Rørdeksel
- Ⓗ Ikke bruk en nøkkel her. Det kan føre til kjølemiddellekkasje.
- Ⓘ Bruk to nøkler her.

Fig. 4-11

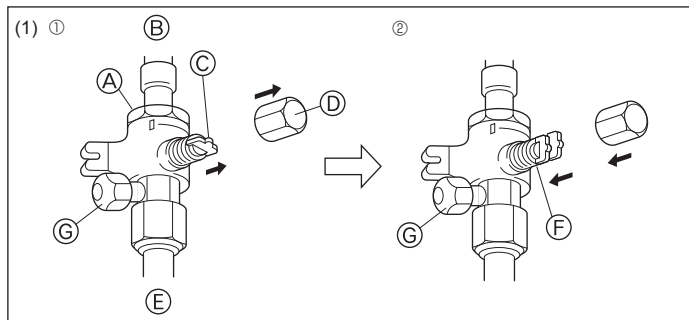


Fig. 4-12

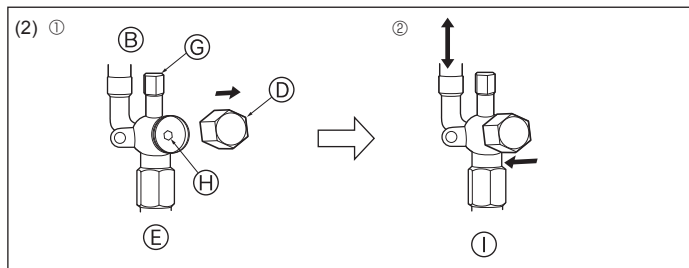
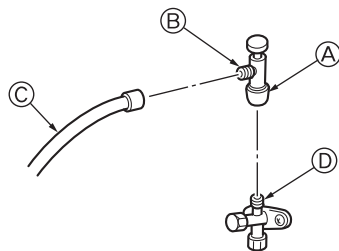


Fig. 4-13



\* Tallet til venstre er kun et eksempel. Stengeventilens form, serviceportens posisjon osv. kan variere fra modell til modell.

\* Drei kun del Ⓐ. (Ikke stram del Ⓐ og Ⓑ ytterligere samtidig.)

- Ⓒ Mateslange
- Ⓑ Serviceport

Fig. 4-14

## 4.6. Metode for å teste om kjølemiddelrør er lufttette

(1) Tilkoble testverktøyene.

- Sørg for at stengeventilene Ⓐ Ⓑ er stengt. Du må heller ikke åpne dem.
- Sett trykk på kjølemiddelrørene gjennom serviceporten Ⓒ i stengeventilen for væske Ⓐ og stengeventilen for gass Ⓑ.

(2) Ikke sett på alt det spesifiserte trykket med en gang. Øk trykket litt av gangen.

- ① Sett trykket på 0,5 MPa (5 kgf/cm<sup>2</sup>G), vent i fem minutter og forsikre deg om at trykket ikke synker.
- ② Sett trykket på 1,5 MPa (15 kgf/cm<sup>2</sup>G), vent i fem minutter og forsikre deg om at trykket ikke synker.
- ③ Sett trykket på 4,15 MPa (41,5 kgf/cm<sup>2</sup>G), og mål omgivelsestemperaturen og kjølemiddeltrykket.

(3) Hvis det spesifiserte trykket holder seg i omtrent én dag og ikke synker, har rørene bestått testen og er uten lekkasjer.

- Hvis omgivelsestemperaturen endres med 1 °C, vil trykket endre seg med omtrent 0,01 MPa (0,1 kgf/cm<sup>2</sup>G). Foreta de nødvendige korreksjonene.

(4) Hvis trykket faller i trinn (2) eller (3), finnes det en gasslekkasje. Se etter kilden til gasslekkasjen.

## 4.7. Metode for åpning av stengeventilen.

(1) Gasside (fig. 4-12)

① Fjern lokket, trekk håndtaket mot deg og dreii 1/4 omdreining mot klokken for å åpne.

② Sørg for at stengeventilen er helt åpen, skyv håndtaket og dreii lokket tilbake til utgangsstillingen.

(2) Væskeside (fig. 4-13)

① Fjern lokket, og dreii ventilstangen mot klokken så langt den går, ved å bruke en 4 mm sekskantnøkkel. Slutt å dreie når den treffer sperren.

(Ø6,35: omtrent 4,5 omdreining) (Ø9,52: omtrent 10 omdreining)

② Sørg for at stengeventilen er helt åpen, skyv håndtaket og dreii lokket tilbake til utgangsstillingen.

- Ⓐ Ventil
- Ⓑ Enhetsside
- Ⓒ Håndtak
- Ⓓ Lokk
- Ⓔ Lokalrørside
- Ⓕ Side med åpen posisjon
- Ⓖ Serviceport
- Ⓗ Nøkkelhull
- Ⓘ Strømningsretning for kjølemiddel

Kjølemiddelrør er innpakket for beskyttelse

- Rørene kan pakkes inn for beskyttelse opptil en diameter på Ø90 før eller etter tilkobling av rørene. Skjær ut utstøterområdet i rørdekslet ved å følge sporet og pakk inn rørene.

Rørinntaksåpning

- Bruk kitt eller tetningsmasse til å forsegle rørinntaket rundt rørene slik at det ikke blir igjen noen åpning.

(Hvis åpningene ikke tettes, kan det oppstå støv eller komme vann og støv inn i enheten, med havari som resultat.)

## Forholdsregler ved bruk av fylleventil (fig.4-14)

Ikke stram serviceporten for mye når den monteres. Hvis du gjør det, kan ventilinnsatsen bli deformert, komme løs og forårsake en gasslekkasje.

Når du har satt del Ⓑ i ønsket retning, skal du dreie kun del Ⓐ og stramme den.

Ikke stram del Ⓐ og Ⓑ ytterligere samtidig etter stramming av del Ⓐ.

## 4. Montere kjølemiddelrør

### 4.8. Påfylling av ekstra kjølemedium

#### Påfylling av ekstra kjølemedium

Kjølemiddel for rørforlengelsen følger ikke med i utendørsenheten når enheten sendes fra fabrikk. Derfor skal hvert kjølemiddelrørsystem fylles med ekstra kjølemiddel på monteringsstedet. Og for å kunne utføre service skal også størrelsen og lengden på hvert væskerør og påfylt mengde ekstra kjølemiddel noteres på platen "Kjølemiddelmengde" på utendørsenheten.

#### Beregne påfylling av ekstra kjølemedium

- Beregn ekstra påfylling ved hjelp av størrelsen på væskerøret og lengden på rørforlengelsen og total kapasitet for tilkoblede innendørsenheter.
- I beregningen skal du bruke 11,2 kW for kapasiteten til sylindere eller hydroboksen.
- Beregn påfylling av ekstra kjølemedium ved hjelp av fremgangsmåten til høyre, og fyll på ekstra kjølemedium.
- For mengder under 0,1 kg skal beregnet påfyllingsmengde av ekstra kjølemedium avrundes oppover.  
(Hvis for eksempel beregnet påfylling er 6,01 kg, avrunder du påfyllingen opp til 6,1 kg.)

<Ekstra påfylling>

#### Beregne påfylling av kjølemiddel

Rørstørrelse Væskerør ø6,35	+	Rørstørrelse Væskerør ø9,52	+	Total kapasitet for tilkoblede innendørsenheter	Mengde for innendørsenheter
(m) × 19,0 (g/m)		(m) × 50,0 (g/m)		~ 8,0 kW	1,5 kg
				8,1 ~ 16,0 kW	2,5 kg
				16,1 kW ~	3,0 kg

#### Inkludert kjølemiddelmengde når enheten sendes fra fabrikk

Inkludert mengde kjølemedium
4,8 kg

<Eksempel>

Utendørsmodell : P125	A : ø9,52 30 m	} Med vilkårene nedenfor:
Innendørs 1 : P63 (7,1 kW)	a : ø9,52 15 m	
2 : P40 (4,5 kW)	b : ø6,35 10 m	
3 : P25 (2,8 kW)	c : ø6,35 10 m	
4 : P20 (2,2 kW)	d : ø6,35 20 m	

Total lengde for hvert væskerør er som følger:

$$\text{ø9,52 : } A + a = 30 + 15 = 45 \text{ m}$$

$$\text{ø6,35 : } b + c + d = 10 + 10 + 20 = 40 \text{ m}$$

Total kapasitet for tilkoblet innendørsenhet er som følger:

$$7,1 + 4,5 + 2,8 + 2,2 = 16,6$$

<Eksempel på beregning>

Påfylling av ekstra kjølemedium

$$40 \times \frac{19,0}{1000} + 45 \times \frac{50,0}{1000} + 3,0 = 6,1 \text{ kg (avrundet opp)}$$

## 5. Arbeid med avløpsrør

#### Kopling for utendørsenhets avløpsrør

Når det er nødvendig å drenerer rør, skal du bruke dreneringsmuffen eller drensplanen (ekstrautstyr).

	P112-140
Avløpsmuffe	PAC-SG61DS-E
Drensplan	PAC-SH97DP-E

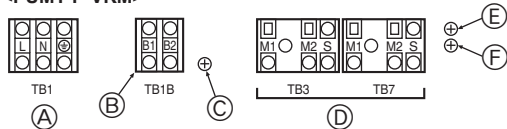
## 6. Elektrisk arbeid

### 6.1. Forsiktig

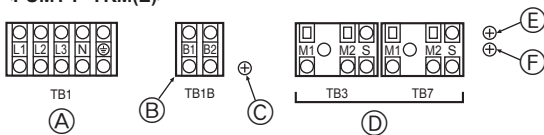
- Følg forskriftene fra statlige myndigheter for teknisk standard knyttet til elektrisk utstyr, kablingsforskrifter og veiledning fra strømselskapet.
- Kabling for styring (heretter kalt overføringsledning) skal være (5 cm eller mer) fra strømledningene slik at den ikke påvirkes av elektrisk støy fra strømkablingen. (Overføringsledning og strømledning skal ikke føres gjennom samme kabelhull.)
- Sørg for at angitt jordingsarbeid utføres på utendørsenheten.
- Gi litt ekstra rom for kablingen i boksen med elektriske deler for innendørs- og utendørsenheter, fordi det hender at boksen fjernes under servicearbeid.
- Hovedstrømkilden skal aldri kobles til overføringsledningens klemmeblokk. Elektriske deler vil bli defekte hvis den tilkobles.
- Bruk 2-kjernet skjermet kabel for overføringsledning. Hvis overføringsledninger fra ulike systemer kobles til den samme flerkjernede kablet, vil påfølgende dårlige overføring og mottak forårsake feilaktig drift.
- Kun angitt overføringsledning skal kobles til klemmeblokken for utendørsenhets overføring.  
(Overføringsledning skal tilkobles med innendørsenhet: klemmeblokk TB3 for overføringsledning. Andre: klemmeblokk TB7 for sentralisert styring)  
Feilaktig tilkobling gjør at systemet ikke kan kjøres.
- Ved tilkobling til kontroll for øvre klasse eller ved gruppestyring i ulike kjølemiddelsystemer, må kontrollens overføringsledning være mellom utendørsenheter. Koble kontrollledningen mellom klemmeblokkene for sentralisert styring. (2-leders ledning uten polaritet)  
Ved gruppestyring i ulike kjølemiddelsystemer uten tilkobling av kontroll for øvre klasse, skal du bytte ut innføringen av kortslutningskontakten fra CN41 på én utendørsenhet med CN40.
- Gruppe angis via fjernkontrollen.
- Ved tilkobling av TILKOBLINGSSETTET (PAC-LV11M-J) og en innendørsenhet i M-serien, kan du se i monteringshåndboken for TILKOBLINGSSETTET for valg av rørstørrelse og rørlengde.
- Ved tilkobling av en forgreningsboks, må du huske å slå på innendørsenheter og forgreningsboksen før du slår på utendørsenheten.

## 6. Elektrisk arbeid

### <PUMY-P-VKM>



### <PUMY-P-YKM(E)>



- A Strømkilde
- B Strømforsyning til forgreningsboks
- C Skruer på boks med elektriske komponenter
- D Overføringsledning
- E Jord for klemmeblokken (TB3)
- F Skruer på boks med elektriske komponenter

Fig. 6-1

## 6.2. Kontrollboks og tilkoblingsposisjon for ledninger (Fig. 6-1)

- Koble innendørsenhets overføringsledning til klemmeblokken for overføring (TB3), eller koble ledningene mellom utendørsenheter eller ledningene med sentralisert styringssystem til klemmeblokken for sentralisert styring (TB7). Ved bruk av skjermede ledninger kobles skjermet jording for innendørsenhets overføringsledning til skruen (⊕), og skjermet jording for ledningene mellom utendørsenheter og overføringsledningen for det sentraliserte styringssystemet kobles til skjermet klemme (S) på klemmeblokken for sentralisert styring (TB7). Og for utendørsenheter der strømforsyningskontakten CN41 er blitt erstattet med CN40, skal skjermet klemme (S) på klemmeblokken (TB7) for det sentraliserte styringssystemet også kobles til skruen (⊕) med medfølgende leder.
- Klemmerekken (TB1B) brukes til strømforsyning til forgreningsboksen (220 ~ 240 VAC, maks. 6 A).
- Fest strømtilførselsledningen til koblingsboksen med en avstandsbøssing for strekkraft (PG-tilkobling eller tilsvarende).

### ⚠ Forsiktig:

**Du må aldri koble overføringsledningen for innendørsenheten eller det sentraliserte styringssystemets overføringsledning til denne klemmerekken (TB1B). Hvis overføringsledningene er tilkoblet, kan innendørsenhets klemmeblokk eller klemmeblokken for sentralisert styring bli skadet.**

## 6.3. Tilkopling av overføringskabler

### ① Typer kontrollkabler

- Tilkopling av overføringskabler
  - Typer overføringskabler: Skjermingsledning CVVS, CPEVS eller MVVS
  - Kabeldiameter: Mer enn 1,25 mm<sup>2</sup>
  - Maksimal ledningslengde: Innenfor 200 m

### 2. Kabler til M-NET-fjernkontroll

Type fjernkontrollkabel	Skjermingsledning CVVS, CPEVS eller MVVS
Kabeldiameter	0,5 til 1,25 mm <sup>2</sup>
Merknader	Når 10 m overstiges, skal du bruke en kabel med samme spesifikasjoner som for koblingskabler til overføringsledning.

### 3. Kabler til MA-fjernkontroll

Type fjernkontrollkabel	Mantlet 2-kjernet kabel (uskjernet) CVV
Kabeldiameter	0,3 til 1,25 mm <sup>2</sup> (0,75 til 1,25 mm <sup>2</sup> )*
Merknader	Innenfor 200 m

\* Tilkoblet med enkel fjernkontroll.

### ② Eksempler på ledningsopplegg

- Kontrollens navn, symbol og tillatt antall kontroller.

Navn	Symbol	Tillatt antall kontroller	
Kontroll for utendørsenhet	OC	-	
Kontroll for innendørsenhet	M-IC	PUMY-P112	1 til 9 enheter per 1 OC*1
		PUMY-P125	1 til 10 enheter per 1 OC*1
		PUMY-P140	1 til 12 enheter per 1 OC*1
	A-IC	PUMY-P112	2 til 8 enheter per 1 OC*1
	PUMY-P125		
		PUMY-P140	
Forgreningsboks	-	-	0 til 2 enheter per 1 OC
Fjernkontroll	RC	M-NET RC*2	Maksimalt 12 kontroller for 1 OC (kan ikke tilkobles hvis det brukes forgreningsboks.)
		MA-RC	Maksimalt 2 per gruppe

### Merk:

\*1. Antall tilkoblede enheter kan være begrenset av visse vilkår, slik som en innendørsenhets kapasitet eller hver enhets tilsvarende strømforbruk.

\*2. Ikke bruk Lossnay-kontrollen (PZ-61DR-E, PZ-43SMF-E, PZ-52SF-E, PZ-60DR-E).

## Eksempel på system med gruppestyring med flere utendørsenheter (skjermingsledninger og adresseinnstilling er nødvendig)

<Eksempler på kabling av overføringsledning: Uten bruk av forgreningsboks>

### ■ Se figur 6-6 fra figur 6-2.

<Kablingsmåte og adresseinnstillinger: uten system med forgreningsboks>

- Brak alltid skjermet ledning ved tilkoblinger mellom utendørsenheten (OC) og innendørsenheten (M-IC).
- Brak tilførselsledning når du kobler klemme M1 og M2 og jordklemmen på klemmeblokken for overføringskabel (TB3) for hver utendørsenhet (OC) til klemme M1, M2 og klemme S på klemmeblokken for overføringskabel for innendørsenheten (M-IC).
- Koble klemme 1 (M1) og 2 (M2) på klemmeblokken for overføringskabel for innendørsenheten (M-IC) med nyeste adresse innenfor samme gruppe til klemmeblokken på fjernkontrollen (M-NET RC).
- Koble sammen klemme M1, M2 og klemme S på klemmeblokken for sentralisert styring (TB7) for utendørsenheten (OC).
- Strappkontakten CN41 på kontrollpanelet endres ikke.
- Koble skjermingsjording for innendørsenhetenes overføringsledning til skjermet klemme (S) på (TB3), og koble også klemme (S) til skruen (⊕ eller ⊖) med medfølgende leder.  
Koble skjermingsjording for ledningen mellom utendørsenheter og overføringsledning for sentralisert styringssystem til skjermet klemme (S) på (TB7).
- Angi adresseinnstillingsbryter som følger.

Enhet	Område	Innstillingsmetode
M-IC (hoved)	01 til 50	Brak den nyeste adressen innenfor samme gruppe med innendørsenheter
M-IC (sub)	01 til 50	Brak en adresse, men ikke den for IC (hoved), fra enhetene innenfor samme gruppe med innendørsenheter. Denne må være i sekvens med IC (hoved)
Utendørsenhet	51 til 100	Brak den nyeste adressen til alle innendørsenheterne, pluss 50 * Adressen blir automatisk "100" hvis den angis som "01 - 50".
M-NET R/C (hoved)	101 til 150	Angi på en adresse for IC (hoved) innenfor samme gruppe, pluss 100
M-NET R/C (sub)	151 til 200	Angi på en adresse for IC (hoved) innenfor samme gruppe, pluss 150
MA R/C	-	Unødvendig adresseinnstilling (nødvendig innstilling for hoved/sub)

- Gruppeinnstillinger ved bruk av flere innendørsenheter gjøres via fjernkontrollen (M-NET RC) etter at strømmen er slått på.

### i. Ved tilkobling av PWFY-enhet

- Du skal ikke foreta gruppeinnstillinger for PWFY-enheten og innendørsenheterne.
- PWFY-enheten og en Lossnay-enhet kan ikke stilles inn til å kjøre samtidig.
- Bruk en WMA-fjernkontroll for PWFY-enheten.

Du finner flere detaljer i monteringshåndboken for PWFY-enheten.

### j. Ved tilkobling av sylinder eller hydroboks

- Du skal ikke foreta gruppeinnstillinger for sylindere eller hydroboksen og de andre innendørsenheterne.

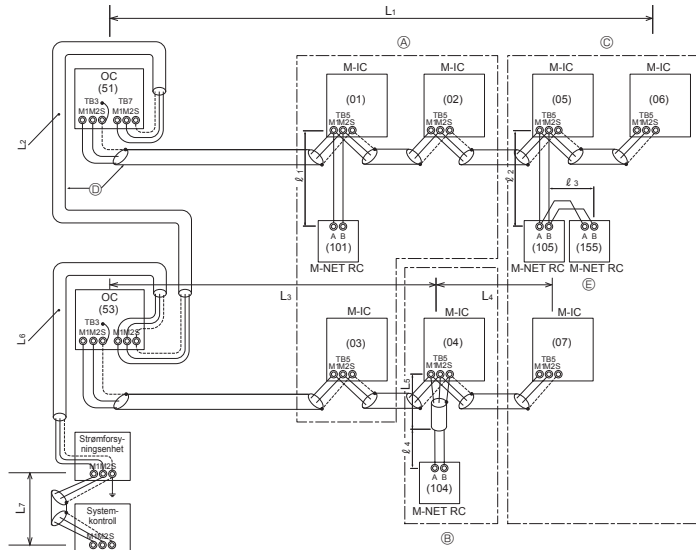
<Kablingsmåte og adresseinnstilling: med system med forgreningsboks>

Se monteringshåndboken for forgreningsboksen.

## 6. Elektrisk arbeid

<Eksempel på kabling av overføringsledning: Uten bruk av forgreningsboks>

### ■ M-NET fjernkontroll



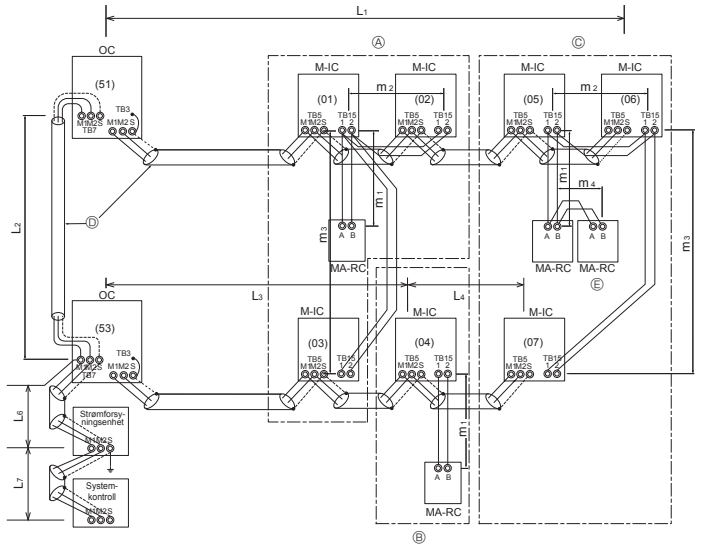
- Ⓐ: Gruppe 1
- Ⓑ: Gruppe 2
- Ⓒ: Gruppe 3
- Ⓢ: Skjernet ledning
- Ⓔ: Sub-fjernkontroll
- ( ): Adresse

#### <Tillatte lengder>

- Maks. lengde via utendørsenheter:  $L_1 + L_2 + L_3 + L_4$  og  $L_1 + L_2 + L_3 + L_5$  og  $L_1 + L_2 + L_6 + L_7 \leq 500$  m (1,25 mm<sup>2</sup> eller mer)
  - Maks. lengde på overføringskabel:  $L_1$  og  $L_3 + L_4$  og  $L_3 + L_5$  og  $L_2 + L_6$  og  $L_7 \leq 200$  m (1,25 mm<sup>2</sup> eller mer)
  - Lengde på fjernkontrollkabel:  $l_1, l_2, l_3, l_4 \leq 10$  m (0,5 til 1,25 mm<sup>2</sup>)
- Bruk en 1,25 mm<sup>2</sup> skjernet ledning hvis lengden overstiger 10 m. Lengden på delen ( $L_8$ ) skal tas med i beregningen av maksimal lengde over total lengde.

Fig. 6-2

### ■ MA fjernkontroll

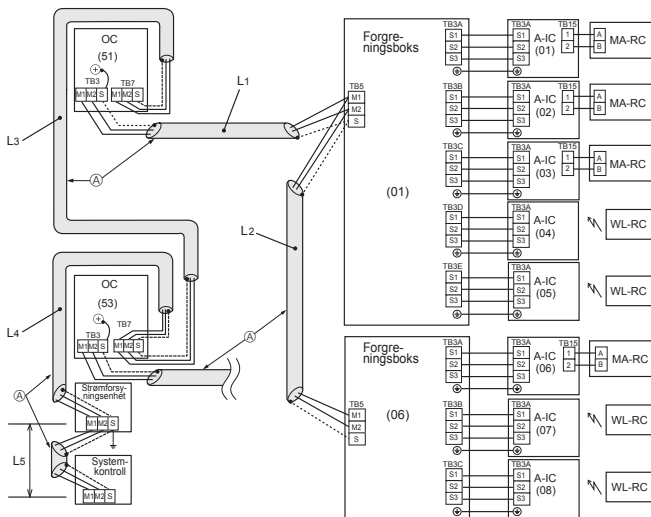


#### <Tillatte lengder>

- Maks. lengde via utendørsenheter (M-NET-kabel):  $L_1 + L_2 + L_3 + L_4$  og  $L_1 + L_2 + L_6 + L_7 \leq 500$  m (1,25 mm<sup>2</sup> eller mer)
- Maks. lengde på overføringskabel (M-NET-kabel):  $L_1$  og  $L_3 + L_4$  og  $L_2 + L_6$  og  $L_7 \leq 200$  m (1,25 mm<sup>2</sup> eller mer)
- Lengde på fjernkontrollkabel:  $m_1$  og  $m_1 + m_2 + m_3$  og  $m_1 + m_2 + m_3 + m_4 \leq 200$  m (0,3 til 1,25 mm<sup>2</sup>)

Fig. 6-3

<Eksempel på kabling av overføringsledning: Tilkobling med forgreningsboks>



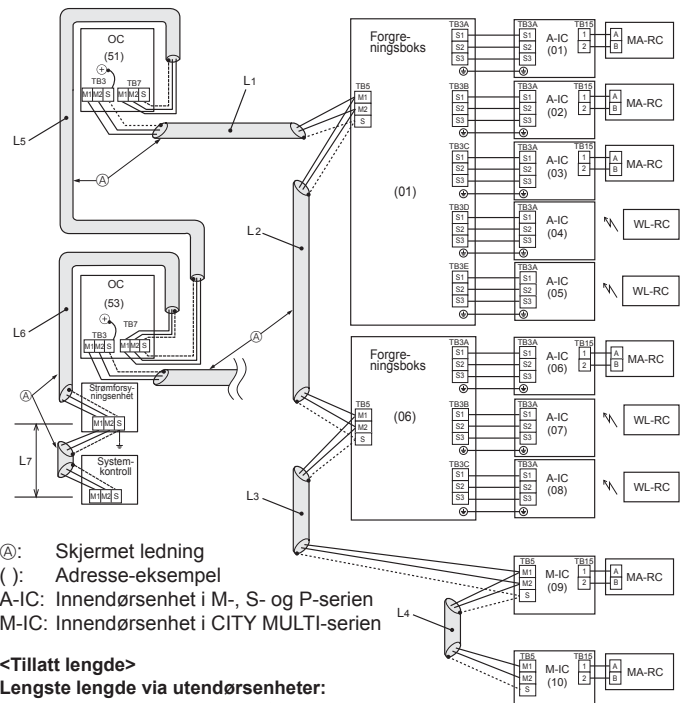
- Ⓐ: Skjernet ledning
- ( ): Adresse-eksempel
- A-IC: Innendørsenheter i M-, S- og P-serien

#### <Tillatte lengder>

- Maks. lengde via utendørsenheter (M-NET-kabel):  $L_1 + L_2 + L_3 + L_4 + L_5 \leq 500$  m (1,25 mm<sup>2</sup> eller mer)
- Maks. lengde på overføringskabel (M-NET-kabel):  $L_1 + L_2, L_3 + L_4, L_5 \leq 200$  m (1,25 mm<sup>2</sup> eller mer)

Fig. 6-4

<Eksempel på kabling av overføringsledning: Blande systemer>



- Ⓐ: Skjernet ledning
- ( ): Adresse-eksempel
- A-IC: Innendørsenheter i M-, S- og P-serien
- M-IC: Innendørsenheter i CITY MULTI-serien

#### <Tillatte lengde>

- Lengste lengde via utendørsenheter:  $L_1 + L_2 + L_3 + L_4 + L_5 + L_6 + L_7 \leq 500$  m (1640 fot) (1,25 mm<sup>2</sup> eller mer)
- Lengste lengde på overføringskabel:  $L_1 + L_2 + L_3 + L_4, L_5 + L_6, L_7 \leq 200$  m (656 fot) (1,25 mm<sup>2</sup> eller mer)

Fig. 6-5

#### Mer:

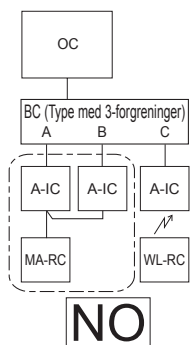
Sylinderen eller hydroboksen kan ikke grupperes med andre enheter enn en sylinder eller hydroboks. Og når sylinderen eller hydroboksen er tilkoblet, kan heller ikke flere utendørsenheter kjøres samtidig.



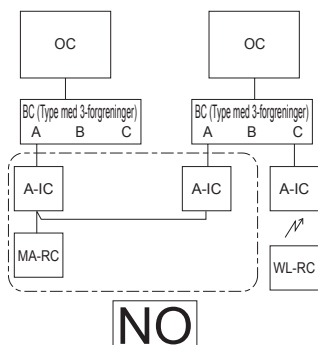
## 6. Elektrisk arbeid

<Feil systemer>

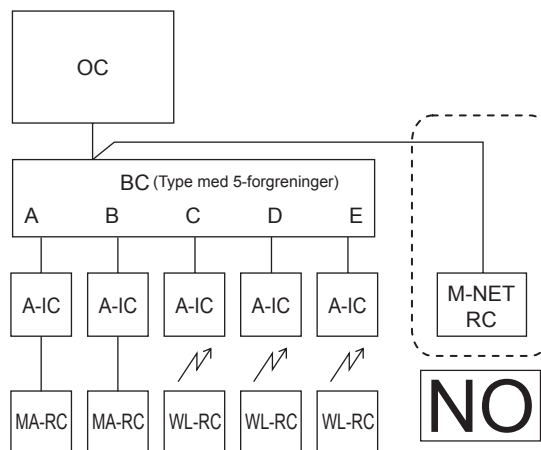
### 1. Gruppestyring med enkelt fjernkontroll



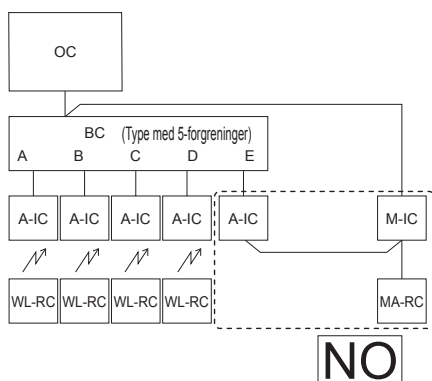
### 2. Gruppestyring mellom ulike kjølemiddelsystemer



### 3. Tilkobling av M-NET fjernkontroll



### 4. Gruppestyring mellom A-styringssystem og M-NET-styringssystem.



1. Flere innendørsenheter kan ikke styres av en enkelt fjernkontroll.
2. Ulike kjølemiddelsystemer kan ikke kobles sammen.
3. M-NET-fjernkontroll kan ikke tilkobles.
4. Ulike typer styringssystemer (A-IC/M-IC) kan ikke kobles sammen.

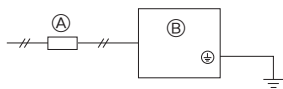
## 6. Elektrisk arbeid

### 6.4. Kabling for strømtilførsel og utstyrskapasitet

Skjematisk tegning av kabling: Uten bruk av forgreningsboks (eksempel) (fig. 6-6)

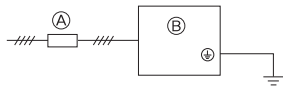
#### ■ PUMY-P-VKM4

~N 220-230-240 V 50 Hz  
~N 220-230 V 60 Hz



#### ■ PUMY-P-YKM(E)4

• YKM4  
3N~380-400-415 V 50 Hz  
3N~380 V 60 Hz  
• YKME4  
3N~380-400-415 V 50 Hz



~N 220-230-240 V 50 Hz  
~N 220-230 V 60 Hz

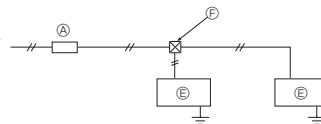


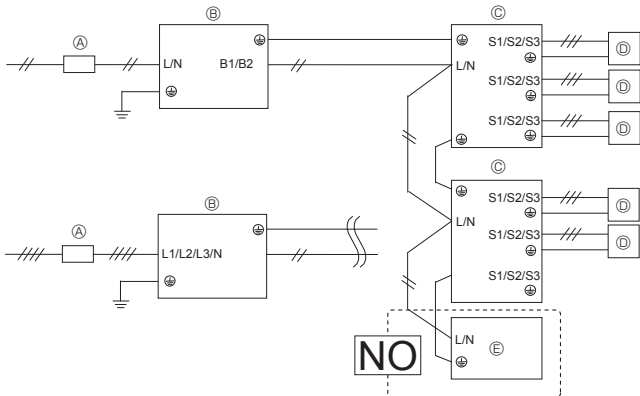
Fig. 6-6

Skjematisk tegning av kabling: Med bruk av forgreningsboks (eksempel) (fig. 6-7)

<Når strøm overføres fra utendørsenheten>

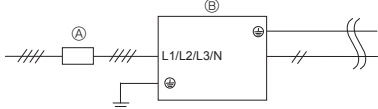
#### ■ PUMY-P-VKM4

~N 220-230-240 V 50 Hz  
~N 220-230 V 60 Hz

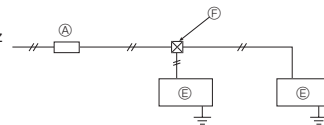


#### ■ PUMY-P-YKM(E)4

• YKM4  
3N~380-400-415 V 50 Hz  
3N~380 V 60 Hz  
• YKME4  
3N~380-400-415 V 50 Hz



~N 220-230-240 V 50 Hz  
~N 220-230 V 60 Hz



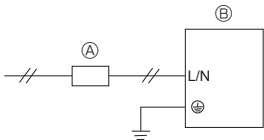
- Ⓐ Bryter (vernebrytere for kabling og strømlekkasje)
- Ⓑ Utendørsenhet
- Ⓒ Forgreningsboks
- Ⓓ A-styring for innendørsenhet (innendørsenhet i M-, P- og S-seriene)
- Ⓔ M-NET-kontroll for innendørsenhet (City Multi-innendørsenhet)
- Ⓕ Koblingsboks

\* Innendørsenhetens M-NET-kontroll kan ikke motta strøm fra en utendørsenhet, så den må forsynes med strøm separat.

<Når strøm forsynes separat>

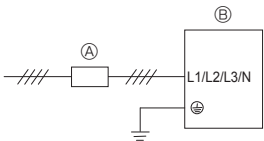
#### ■ PUMY-P-VKM4

~N 220-230-240 V 50 Hz  
~N 220-230 V 60 Hz

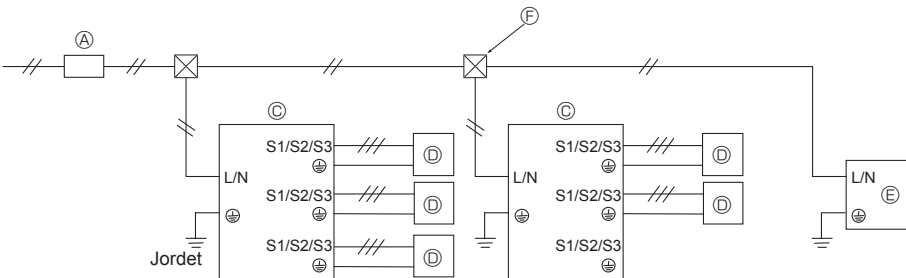


#### ■ PUMY-P-YKM(E)4

• YKM4  
3N~380-400-415 V 50 Hz  
3N~380 V 60 Hz  
• YKME4  
3N~380-400-415 V 50 Hz



~N 220-230-240 V 50 Hz  
~N 220-230 V 60 Hz



**Merk: Reaktorboks (ekstrautstyr)**

Når produktet brukes til annet formål enn som profesjonelt utstyr, kan det være nødvendig med en reaktorboks.

	Fremgangsmåte for strømtilførsel til forgreningsboks	
Utendørsenhet	Strømtilførsel fra utendørsenhet	Separat strømtilførsel
1-faset strømtilførsel	Ikke nødvendig	Nødvendig
3-faset strømtilførsel	Nødvendig	Nødvendig

Fig. 6-7

## 6. Elektrisk arbeid

### Tverrsnitt av ledning for hovedstrømtilførsel og på/av-kapasitet

<Når strøm forsynes separat>

Modell	Strømforsyning	Minimum tverrsnitt for ledning (mm <sup>2</sup> )			Vernebryter for kabling *1	Vernebryter for strømlekkasje	
		Hovedkabel	Gren	Jord			
Utendørsenhet	P112-140VKM4	~/N 220-230-240 V 50 Hz ~/N 220-230 V 60 Hz	6	–	6	32 A	32 A 30 mA 0,1 sek eller mindre
	P112-140YKM4	3N~380-400-415 V 50 Hz 3N~380 V 60 Hz	1,5	–	1,5	16 A	16 A 30 mA 0,1 sek eller mindre
	P112-140YKME4	3N~380-400-415 V 50 Hz					

<Når strøm overføres fra utendørsenheten>

Modell	Strømforsyning	Minimum tverrsnitt for ledning (mm <sup>2</sup> )			Vernebryter for kabling *1	Vernebryter for strømlekkasje	
		Hovedkabel	Gren	Jord			
Utendørsenhet	P112-140VKM4	~/N 220-230-240 V 50 Hz ~/N 220-230 V 60 Hz	6	–	6	40 A	40 A 30 mA 0,1 sek eller mindre
	P112-140YKM4	3N~380-400-415 V 50 Hz 3N~380 V 60 Hz	2,5	–	2,5	20 A	20 A 30 mA 0,1 sek eller mindre
	P112-140YKME4	3N~380-400-415 V 50 Hz					

\*1 Det skal følge med en vernebryter med minst 3,0 mm kontaktseparasjon i hver pol. Bruk vernebryter uten avsmeltning (NF) eller jordfeilbryter (NV).

<Innendørsenheter>

Samlet driftsstrøm i innendørsenheten	Minste ledningstykkelser (mm <sup>2</sup> )			Jordfeilbryter *1	Lokal bryter (A)		Avbryter for ledninger (NFB)
	Hovedkabel	Gren	Jord		Kapasitet	Sikring	
F0 = 16 A eller mindre *2	1,5	1,5	1,5	20 A strømfølsomhet *3	16	16	20
F0 = 25 A eller mindre *2	2,5	2,5	2,5	30 A strømfølsomhet *3	25	25	30
F0 = 32 A eller mindre *2	4,0	4,0	4,0	40 A strømfølsomhet *3	32	32	40

Gjelder IEC61000-3-3 angående maks. tillatt systemimpedans.

\*1 Jordfeilbryteren bør støtte vekselretterkretsen.

Jordfeilavbryteren bør kombineres med lokal bryter eller ledningsavbryter.

\*2 Du må bruke den største av F1 og F2 som verdien for F0.

F1 = Samlet maksimal driftsstrøm for innendørsenhetene × 1,2

F2 = {V1 × (antall type 1)/C} + {V1 × (antall type 2)/C} + {V1 × (antall type 3)/C} + ... + {V1 × (antall type 14)/C}

Koble til forgreningsboks (PAC-MK-BC(B))

Innendørsenhet		V1	V2
Type 1	PEAD-RP·JA(L)Q, PEAD-M·JA(L), PEY-(S)P·JA	26,9	2,4
Type 2	SEZ-KD·VAQ(L), SEZ-M·DA(L), PCA-RP·KAQ, PCA-M·KA, PLA-ZRP·BA, PLA-RP·EA, SLZ-KF·VA2, SLZ-M·FA, PLY-(S)P·BA, SEZ-KH·VALT, PCY-(S)P·KA	19,8	
Type 3	MLZ-KA·VA, SLZ-KA·VAQ(L)3	9,9	
Type 4	MFZ-KJ·VE2, MSXY-FJ·VE, MSZ-LN·VG, MSZ-AP·VG, MLZ-KP·VF	7,4	
Type 5	MSZ-FH·VE, MSZ-SF·VE, MSZ-EF·VE, MSZ-SF·VA, MSZ-GF·VE, MSZ-GE·VA, MSZ-EF·VA, MSY-GE·VA, MSY-EF·VA, MSZ-FH·VA, MSY-GH·VA, MSZ-FK·VA, MSZ-GC·NA	6,8	
Type 6	Forgreningsboks (PAC-MK-BC(B))	5,1	
Type 7	Ecodan C-generasjon		5,0 *5

\*5 Denne verdien kan øke pga. en lokalt tilkoblet bryter.

Koble til tilkoblingssett (PAC-LV11M-J)

Innendørsenhet		V1	V2
Type 8	MFZ-KJ·VE2	7,4	2,4
Type 9	MSZ-GE·VA, MSZ-SF·VA, MSZ-SF·VE, MSZ-EF·VE, MSZ-FH·VE, MSY-GE·VA, MSY-GH·VA	6,8	
Type 10	Tilkoblingssett (PAC-LV11M-J)	3,5	

Innendørsenhet		V1	V2
Type 11	PEFY-VMA(L)-E, PEFY-VMA3-E	38,0	1,6
Type 12	PMFY-VBM-E, PLFY-VEM-E, PLFY-VFM-E1, PEFY-VMS1(L)-E, PCFY-VKM-E, PKFY-VHM-E, PKFY-VKM-E, PFFY-VKM-E2, PFFY-VLRMM-E, PLFY-EP·VEM-E, PMFY-P·VFM-D	19,8	2,4
Type 13	PKFY·VBM-E	3,5	2,4
Type 14	PLFY-VLMD-E, PEFY-VMR-E-L/R, PDFY-VM-E, PEFY-VMH-E, PFFY-VLEM-E, PFFY-VLRM-E, PWFY-VM-E1(2)-AU, PEFY-P·VMH-E-F, GUF-RD(H)4	0,0	0,0

C: Multiplere av styrestrøm ved utløsningstid på 0,01 s

"C" skal du ta fra vernebryterens utløsningsegenskaper.

## 6. Elektrisk arbeid

<Eksempel på beregning av "F2">

Vilkår for PEFY-VMS × 4 + PEFY-VMA × 1, C = 8 (se eksempeltabell til høyre)

$$F2 = 19,8 \times 4/8 + 38 \times 1/8$$

$$= 14,65$$

→ 16 A sikring (utløserstrøm = 8 × 16 A 0,01 s)

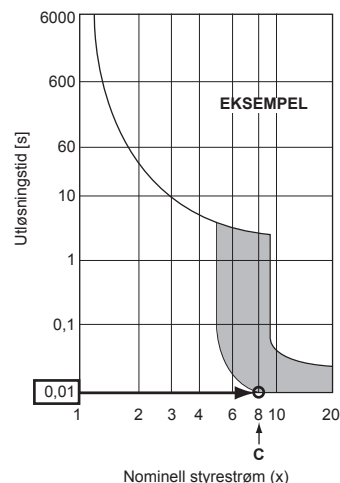
\*3 Strømfølsomheten beregnes med følgende formel.

$$G1 = V2 \times (\text{antall type 1}) + V2 \times (\text{antall type 2}) + V2 \times (\text{antall type 3}) + \dots + V2 \times (\text{antall type 14}) \\ + V3 \times (\text{ledningsslengde [km]})$$

G1	Strømfølsomhet
30 eller mindre	30 mA 0,1 sek eller mindre
100 eller mindre	100 mA 0,1 sek eller mindre

Ledningstykkelser	V3
1,5 mm <sup>2</sup>	48
2,5 mm <sup>2</sup>	56
4,0 mm <sup>2</sup>	66

Eksempeltabell



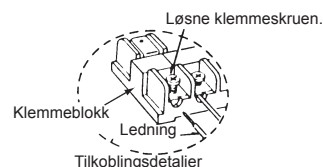
1. Ta hensyn til omgivelsesvilkår (omgivelsestemperatur, direkte sollys, regn osv.) når du går i gang med kablingen og tilkoblingene.
2. Ledningsstørrelsen er minimumsverdien for kabelhullet i metall. Størrelsen på strømledningen bør være 1 grad tykkere med tanke på spenningsfall. Pass på at strømtilførselens spenning ikke faller mer enn 10 %.
3. Spesifikke kablingskrav bør være i samsvar med kablingsforskriftene i området.
4. Strømtilførselsledninger som er del av utstyr til utendørs bruk, skal ikke være lettere enn mantlet, bøyelig polykloropren-ledning (design 60245 IEC57). Bruk for eksempel kabling YZW.
5. Monter lengre jordledning enn andre ledninger.

### ⚠ Advarsel:

- Sørg for å bruke spesifiserte ledninger ved tilkobling slik at klemmetilkoblingene ikke utsettes for eksternt trykk. Hvis tilkoblingene ikke er skikkelig festet, kan det føre til varmgang eller brann.
- Sørg for å bruke riktig type overstrømsvernebryter. Merk at generert overstrøm kan inneholde en viss mengde likestrøm.
- Sørg for å feste dekslene/panelet på klemmeblokken skikkelig på utendørsenheten. Hvis det ikke er festet riktig, kan det føre til brann eller elektrisk støt på grunn av støv, vann osv.

### ⚠ Forsiktig:

- Pass på at du ikke kobler feil.
- Trekk til klemmeskruene godt, slik at man unngår at de løsner.
- Etter tiltrekking trekker du lett i ledningene for å forsikre deg om at de ikke kan beveges.
- Hvis tilkoblingsledningen er koblet feil til klemmeblokken, vil ikke enheten kjøre som normalt.
- Visse monteringssteder kan kreve tilkobling av jordfeilbryter. Hvis jordfeilbryter ikke monteres, kan dette føre til elektrisk støt.
- Du må ikke bruke annet enn vernebryter og sikring med riktig kapasitet. Bruk av sikring eller kobberledning med for stor kapasitet, kan føre til funksjonsfeil i enheten eller brann.



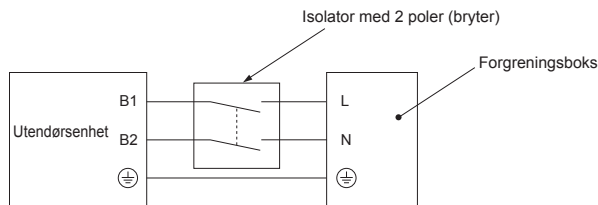
### VIKTIG

Sørg for at lekkasjestrømbryteren er kompatibel med høyere harmoniske oversvingninger. Bruk alltid en lekkasjestrømbryter som er kompatibel med høyere harmoniske oversvingninger, ettersom denne enheten er utstyrt med en vekselretter. Bruk av en utilstrekkelig avbryter kan forårsake at vekselretteren fungerer på feil måte.

Strømkabelen eller tilkoblingskabelen mellom innendørs- og utendørsenheten og forgreningsboksen må aldri skjøtes, for det kan føre til røykdannelse, brann eller kommunikasjonssvikt.

### ⚠ Advarsel:

- Slå av hovedstrømbryteren ved service. Og ikke rør B1- eller B2-klemmene når strømmen er på. Hvis det brukes isolator mellom utendørsenheten og forgreningsboksen/innendørsenheten og forgreningsboksen, må den være av typen med 2 poler. (Se tegningen nedenfor.)



### ⚠ Forsiktig:







Etter bruk av isolatoren må hovedstrømtilførselen slås av og på igjen for å tilbakestille systemet. Ellers kan ikke utendørsenheten registrere forgreningsboksen(e) eller innendørsenheten(e).

Sørg for å koble tilkoblingskablene for utendørs-forgreningsboks/innendørs-forgreningsboks direkte til enhetene (ingen mellomliggende tilkoblinger). Mellomliggende tilkoblinger kan føre til kommunikasjonsfeil hvis det kommer vann inn i kablene, og forårsake utilstrekkelig isolasjon til jord eller dårlig elektrisk kontakt ved det mellomliggende tilkoblingspunktet. (Hvis det må brukes en mellomliggende tilkobling, må det iverksettes tiltak for å forhindre at det kommer vann inn i kablene.)

## 6. Elektrisk arbeid

### 6.5. Adresseinnstilling

Adresseinnstilling for bryter

	Ute	Forgreningsboks				M-, S- og P-seriene innendørs	CITY MULTI-serien																																										
		Adresse		Tilkoblingsinnstilling																																													
Bryter	 tierclass  enerclass SWU2 SWU1	 tierclass  enerclass SW12 SW11	A B C D E - <table border="1"> <tr> <td>1</td><td>2</td><td>3</td><td>4</td><td>5</td><td>6</td> </tr> </table> SW1		1	2	3	4	5	6	PA: Innendørs tilkoblet AV: Ingen tilkobling (SW1-6 brukes ikke)	Ingen	 tierclass  enerclass SW12 SW11																																				
1	2	3	4	5	6																																												
Område	51 - 100	1 - 50		-		-	1 - 50																																										
Innstilling	M-styring innendørs og adresse til forgreningsboks +50	• I henhold til angitt adresse (for eksempel 01) angis adressene for tilkoblede innendørsenheter sekvensielt (for eksempel 02, 03, 04 og 05). <table border="1"> <tr> <td>SW1</td><td>1</td><td>2</td><td>3</td><td>4</td><td>5</td><td></td> </tr> <tr> <td>Port</td><td>PA</td><td>PA</td><td>PA</td><td>PA</td><td>PA</td><td></td> </tr> <tr> <td>Adresse</td><td>01</td><td>B</td><td>C</td><td>D</td><td>E</td><td>(SW11, 12)</td> </tr> <tr> <td></td><td></td><td>02</td><td>03</td><td>04</td><td>05</td><td>(sekvensielle tall)</td> </tr> </table>		SW1	1	2	3	4	5		Port	PA	PA	PA	PA	PA		Adresse	01	B	C	D	E	(SW11, 12)			02	03	04	05	(sekvensielle tall)	• Angi om innendørsenheter er koblet til hver port (A, B, C, D og E). <table border="1"> <tr> <td>SW1</td><td>1</td><td>2</td><td>3</td><td>4</td><td>5</td><td>(6)</td> </tr> <tr> <td>Port</td><td>A</td><td>B</td><td>C</td><td>D</td><td>E</td><td>ikke bruk</td> </tr> </table> Innendørsenheter er tilkoblet: PA Innendørsenheter er ikke tilkoblet: AV		SW1	1	2	3	4	5	(6)	Port	A	B	C	D	E	ikke bruk	Det er ingen adresseinnstillinger for innendørsenheter.	-
SW1	1	2	3	4	5																																												
Port	PA	PA	PA	PA	PA																																												
Adresse	01	B	C	D	E	(SW11, 12)																																											
		02	03	04	05	(sekvensielle tall)																																											
SW1	1	2	3	4	5	(6)																																											
Port	A	B	C	D	E	ikke bruk																																											

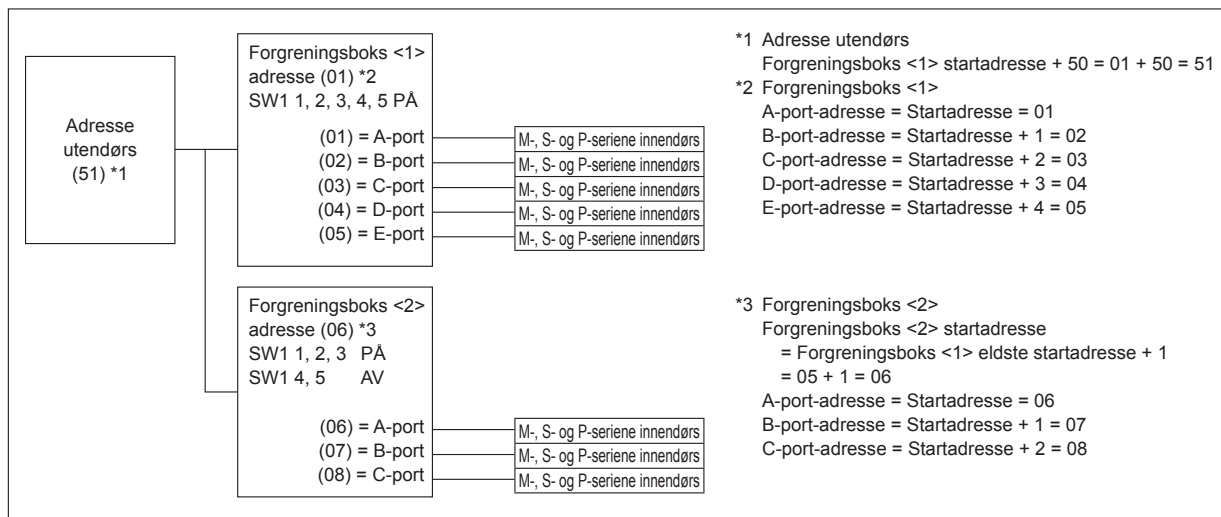
#### Merk: 1. Adresse til forgreningsboks

Når du angir adressen, skal du bruke et tall innenfor området 1–50.

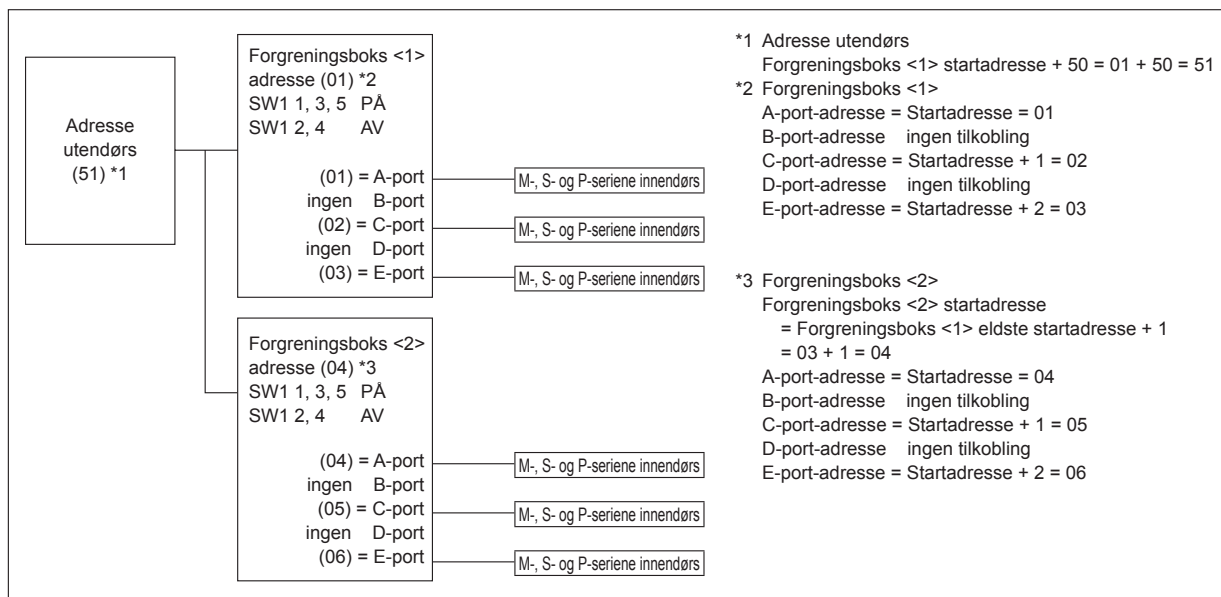
Eks. Angitt adresse er (47) og det er 5 innendørsenheter (A, B, C, D og E).

Hvis A: (47), B: (48), C: (49), D: (50) og E: (51), E er feil fordi det overstiger 50.

Eks. 1. Utendørs + forgrening <1> (M-, S- og P-seriene innendørs A, B, C, D, E) + forgrening <2> (M-, S- og P-seriene innendørs A, B, C)

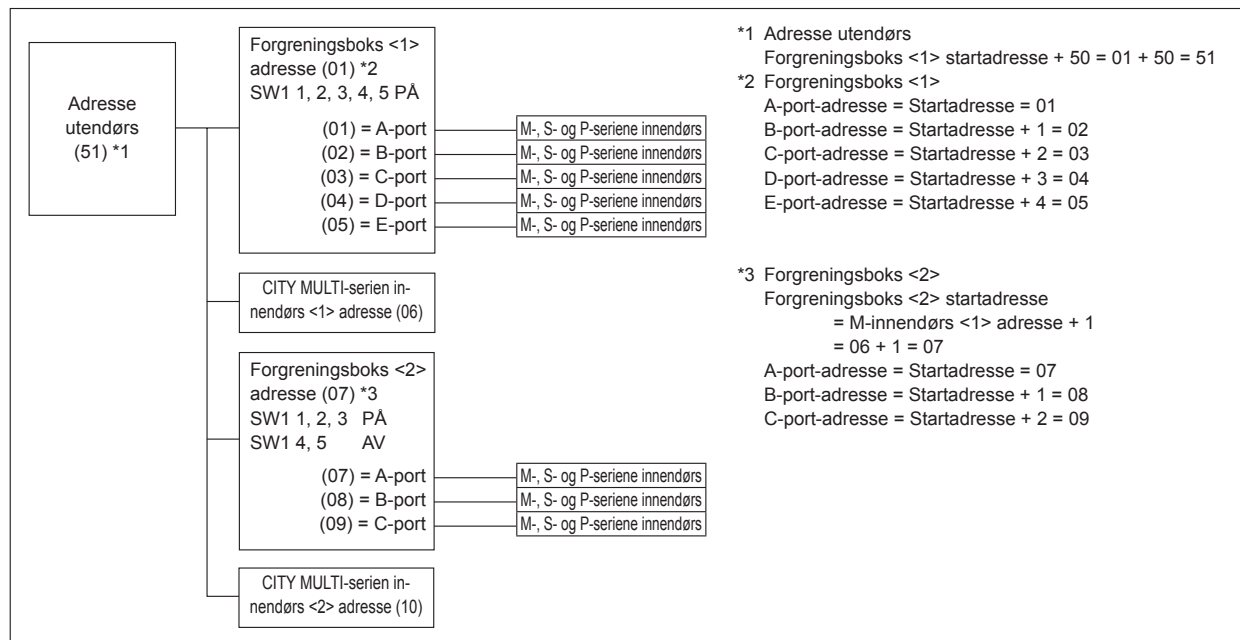


Eks. 2. Utendørs + forgrening <1> (M-, S- og P-serien av innendørs A, C, E) + forgrening <2> (M-, S- og P-seriene innendørs A, C, E)



## 6. Elektrisk arbeid

Eks. 3. Utendørs + forgrening <1> (M-, S- og P-seriene innendørs A, B, C, D, E) + forgrening <2> (M-, S- og P-seriene innendørs A, B, C) + CITY MULTI-serien innendørs <1> + CITY MULTI-serien innendørs <2>



\*1 Adresse utendørs

Forgreningsboks <1> startadresse + 50 = 01 + 50 = 51

\*2 Forgreningsboks <1>

A-port-adresse = Startadresse = 01

B-port-adresse = Startadresse + 1 = 02

C-port-adresse = Startadresse + 2 = 03

D-port-adresse = Startadresse + 3 = 04

E-port-adresse = Startadresse + 4 = 05

\*3 Forgreningsboks <2>

Forgreningsboks <2> startadresse

= M-innendørs <1> adresse + 1

= 06 + 1 = 07

A-port-adresse = Startadresse = 07

B-port-adresse = Startadresse + 1 = 08

C-port-adresse = Startadresse + 2 = 09

## 7. Testkjøring

### 7.1. Før testkjøring

- ▶ Etter fullført installasjon og kabling av ledninger og rør til innendørs- og utendørsenheter, må du kontrollere om det lekker kjølemiddel, om strøm- eller kontrollledninger er løse, har feil polaritet og at ingen fase er frakoplet i strømforsyningen.
  - ▶ Bruk en 500 V M-ohm-måler til å kontrollere at motstanden mellom strømforsyningsklemmene og jord er minst 1 MΩ.
  - ▶ Ikke utfør denne testen på klemmene i kontrollledningene (lavspenningskrets).
- ⚠ **Advarsel:**  
Ikke bruk klimaanlegget hvis isolasjonsmotstanden er mindre enn 1 MΩ.

#### Isolasjonsmotstand

Etter montering eller når strømkilden til enheten har vært frakoblet i en lengre periode, vil isolasjonsmotstanden falle til under 1 MΩ fordi det samler seg kjølemiddel i kompressoren. Dette er ikke en funksjonsfeil. Følg denne fremgangsmåten.

1. Fjern ledningene fra kompressoren og mål isolasjonsmotstanden til kompressoren.
2. Hvis isolasjonsmotstanden er mindre enn 1 MΩ, er enten kompressoren defekt eller så har det akkumulert seg kjølemiddel i kompressoren.

3. Etter kabling av ledningene til kompressoren vil kompressoren begynne å varme opp etter at strømmen slås på. Mål isolasjonsmotstanden på nytt etter å ha hatt strømmen på i periodene angitt nedenfor.
  - Isolasjonsmotstanden faller på grunn av at det samler seg kjølemiddel i kompressoren. Motstanden vil stige til over 1 MΩ etter at kompressoren er varmet opp i 12 timer.  
(Tiden som trengs for å varme opp kompressoren varierer med de atmosfæriske forholdene og akkumuleringen av kjølemiddel.)
  - Vil du bruke kompressoren med kjølemiddel akkumulert i kompressoren, må kompressoren varmes opp i minst 12 timer for å forhindre driftsfeil.
4. Hvis isolasjonsmotstanden stiger til over 1 MΩ, er kompressoren ikke defekt.

#### ⚠ **Forsiktig:**

- Kompressoren vil ikke fungere med mindre strømforsyningens fasekabling er korrekt.
  - **Slå på strømmen minst 12 timer før enheten tas i bruk.**
    - Hvis du tar i bruk anlegget umiddelbart etter å ha slått på hovedstrømbryteren, kan det føre til alvorlig skade på interne deler. La strømbryteren stå på hele tiden i brukssesongen.
- ▶ **Følgende må også kontrolleres.**
- Det er ikke noe galt med utendørsenheten. LED på kontrollpanelet på utendørsenheten blinker når utendørsenheten er defekt.
  - Stengeventilene for både gass og væske er helt åpne.

### 7.2. Testkjøring

#### 7.2.1. Bruke fjernkontrollen

Se monteringshåndboken for innendørsenheten.

- Sørg for å utføre testkjøring for hver innendørsenhet. Kontroller at hver innendørsenhet kjøres på riktig måte i henhold til monteringshåndboken som følger med enheten.
- Hvis du utfører testkjøring for alle innendørsenheter samtidig, kan du ikke registrere eventuelle feilaktige tilkoblinger av kjølemiddelrørene og tilkoblingsledningene.
- \* Kompressordrift er ikke tilgjengelig de 3 første minuttene etter at strømmen er slått på.
- Kompressoren kan avgi støy rett etter at strømtilførselen er slått på eller ved lav utendørs lufttemperatur.
- Avhengig av driftsforholdene kan det hende at utendørsenhetsens vifte stopper mens kompressoren er i gang, men dette er ikke en funksjonsfeil.

#### Om gjenstartbeskyttelsesmekanismen

Med en gang kompressoren stopper, fungerer anordningen som hindrer gjenstart, slik at kompressoren ikke vil fungere innen 3 minutter, for å beskytte luft-kondisjonereren.

### 7.3. Oppsamling av kjølemiddel (nedpumping)

Bruk følgende fremgangsmåter for å samle kjølemiddel når innendørs- eller utendørsenheten flyttes.

- ① Slå av strømbryteren.
- ② Koble lavtrykkssiden på målermanifolden til serviceporten på stengeventilen på gassiden.
- ③ Lukk stengeventilen for væske.
- ④ Strømtilførsel (vernebryter).
  - \* Oppstart av kommunikasjon mellom innendørs- og utendørsenheten tar omtrent 3 minutter etter at strømmen (vernebryter) er slått på. Start pumpe-ned 3 til 4 minutter etter at strømmen (vernebryter) settes på ON (på).
- ⑤ Kontroller at SW3-2 er stilt til AV, og still deretter SW3-1 til PÅ for å utføre testkjøring for kjøledrift. Kompressoren (utendørsenhet) og ventilatorer (innendørs- og utendørsenheter) starter opp, og testkjøring for kjøledrift begynner. Rett etter testkjøring for kjøledrift skal du stille utendørs servicebryter SW2-4 (nedpumpingsbryter) fra AV til PÅ.
  - \* Du må ikke kjøre lenge når bryter SW2-4 er stilt til PÅ. Sørg for å stille den til AV når nedpumpingen er fullført.

- ⑥ Lukk stengeventilen for gass helt når trykkavlesningen på måleren faller 0,05–0,00 MPa (ca. 0,5–0,0 kgf/cm<sup>2</sup>)
- ⑦ Stans driften av klimaanlegget (SW3-1: AV). Still utendørs servicebryter SW2-4 fra PÅ til AV.
- ⑧ Slå av strømmen (vernebryter).
  - \* Hvis det er fylt på for mye kjølemiddel i klimaanlegget, kan det hende at trykket ikke faller til 0,05 MPa (0,5 kgf/cm<sup>2</sup>). Hvis dette skjer, må du bruke en enhet for kjølemiddeloppstilling til å tømme systemet for kjølemiddel, og deretter fylle på korrekt mengde kjølemiddel etter at innendørs- og utendørsenheten er flyttet.

#### ⚠ **Advarsel:**

**Når kjølemedium pumpes ned, må kompressoren stanses før kjølemediumrørene kobles fra. Kompressoren kan bryte og føre til personskaade hvis fremmedlegemer, f.eks. luft, kommer inn i systemet.**

## Spis treści

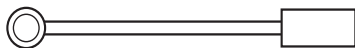
1. Zalecenia bezpieczeństwa .....	288	5. Przewody spustowe .....	300
2. Miejsce instalacji .....	290	6. Instalacja elektryczna .....	300
3. Instalacja jednostki zewnętrznej .....	293	7. Praca próbna .....	309
4. Instalacja rur czynnika chłodniczego .....	293		

### ⚠ Przewaga:

- Wypuszczanie czynnika R410A do atmosfery jest zabronione.

## Przegląd dostarczonych części

Poza niniejszą instrukcją, z jednostką zewnętrzną jest dostarczana następująca część. Służy ona do uziemienia zacisku S na listwie zaciskowej TB7 kabli sygnałowych. Szczegółowe informacje zawiera punkt "6. Instalacja elektryczna".



Przewód uziemiający

## 1. Zalecenia bezpieczeństwa

- ▶ Przed instalacją urządzenia należy zapoznać się ze wszystkimi "Zaleceniami bezpieczeństwa".
- ▶ Przed podłączeniem systemu należy to zgłosić lub uzyskać zgodę dostawcy energii elektrycznej.
- ▶ Seria PUMY-P-VKM spełnia wymogi normy IEC/EN 61000-3-12
- ▶ Serie PUMY-P-VKM i PUMY-P-YKME są przeznaczone do zastosowań w środowisku mieszkalnym, handlowym i lekko uprzemysłowionym.
- ▶ Seria PUMY-P-YKM jest zaprojektowana jako urządzenia profesjonalne.
- ▶ W przypadku podłączania jednostki wewnętrznej ATW (serie EHST20C i EHSC) do modelu 3-fazowego należy użyć urządzenia PUMY-P-YKME4.

### ⚠ Ostrzeżenie:

Oznacza zalecenia bezpieczeństwa, których należy przestrzegać w celu uniknięcia zagrożenia zranieniem lub śmierci użytkownika.

### ⚠ Przewaga:

Oznacza zalecenia bezpieczeństwa, których należy przestrzegać w celu uniknięcia uszkodzenia urządzenia.

### ⚠ Ostrzeżenie:

- Użytkownikowi nie wolno samodzielnie instalować urządzenia. W tym celu należy zwrócić się do sprzedawcy lub uprawnionego technika. Nieprawidłowa instalacja urządzenia może być przyczyną nieszczelności, porażenia prądem lub pożaru.
- W sklepach, w przemyśle lekkim i w gospodarstwach rolnych urządzenie powinno obsługiwać profesjonalni lub przeszkoleni użytkownicy, a w celach komercyjnych osoby nieposiadające fachowej wiedzy.
- Podczas prac instalacyjnych należy postępować według zaleceń podanych w Instrukcji montażu oraz używać narzędzi i rur specjalnie przeznaczonych do użytku z czynnikiem chłodniczym R410A. Ciśnienie robocze czynnika chłodniczego R410A w układzie HFC jest 1,6-krotnie wyższe niż konwencjonalnych czynników chłodniczych. W przypadku użycia rur nieprzeznaczonych dla czynnika chłodniczego R410A i nieprawidłowej instalacji urządzenia rury mogą pękać, powodując uszkodzenia lub obrażenia ciała. Grozi to także nieszczelnością, porażeniem prądem lub pożarem.
- Urządzenie należy zainstalować zgodnie z instrukcją celem zminimalizowania ryzyka powstania uszkodzeń spowodowanych trzęsieniem ziemi, tajfunem lub silnym wiatrem. Nieprawidłowo zainstalowane urządzenie może spaść z wysokości i spowodować szkody materialne i/lub obrażenia ciała.
- Urządzenie należy zamontować na konstrukcji, która bezpiecznie wytrzyma jego ciężar. W przypadku montażu na niestabilnej konstrukcji urządzenie może spaść z wysokości i spowodować szkody materialne i/lub obrażenia ciała.
- Jeśli klimatyzator zostanie zainstalowany w małym pomieszczeniu, należy podjąć odpowiednie kroki, aby w razie wycieku stężenie czynnika chłodniczego w pomieszczeniu nie przekroczyło bezpiecznego poziomu. W sprawie odpowiednich kroków mających zapobiec zbyt dużemu stężeniu czynnika chłodniczego należy skontaktować się ze sprzedawcą. W razie wycieku i przekroczenia bezpiecznego poziomu czynnika chłodniczego w pomieszczeniu istnieje zagrożenie zmniejszenia zawartości tlenu w powietrzu.
- Jeśli podczas pracy dojdzie do wycieku czynnika chłodniczego, należy przewietrzyć dane pomieszczenie. Jeśli dojdzie do kontaktu czynnika chłodniczego z ogniem, zostaną uwolnione trujące gazy.
- Wszystkie prace elektryczne muszą być prowadzone przez wykwalifikowanego elektryka zgodnie z lokalnymi przepisami i zaleceniami podanymi w niniejszej Instrukcji. Do zasilania urządzenia należy użyć dedykowanych przewodów i odpowiednich wyłączników oraz wartości napięcia. Użycie przewodów nieodpowiednich do wartości obciążenia lub niewłaściwe wykonanie prac elektrycznych może być przyczyną porażenia prądem lub pożaru.
- W przypadku bezszwowych rur miedzianych lub ze stopów miedzi do łączenia rur czynnika chłodniczego należy używać stopu miedzi z fosforem C1220. Jeśli rury nie zostaną połączone prawidłowo, urządzenie nie będzie odpowiednio uziemione i może dojść do porażenia prądem elektrycznym.

Po zakończeniu instalacji należy zapoznać klienta z "Zaleceniami bezpieczeństwa" oraz zasadami obsługi i utrzymania ruchu urządzenia w oparciu o informacje zawarte w niniejszej Instrukcji obsługi, a także przeprowadzić pracę próbną w celu sprawdzenia i zapewnienia prawidłowego funkcjonowania urządzenia. Klientowi należy przekazać na własność zarówno Instrukcję montażu, jak i Instrukcję obsługi. Instrukcje te muszą być zawsze przekazywane kolejnym użytkownikom.

⚡ : Oznacza część, która wymaga uziemienia.

### ⚠ Ostrzeżenie:

Należy uważnie czytać etykiety umieszczone na urządzeniu głównym.

- Do okablowania należy użyć wyłącznie określonych przewodów. Przewody należy odpowiednio podłączyć do listwy zaciskowej tak, aby zaciski nie były naprężone. Ponadto nigdy nie należy łączyć ze sobą przewodów (o ile nie zaznaczono inaczej w niniejszym dokumencie). Nieprzestrzeganie tych zaleceń może spowodować przegrzanie urządzenia lub pożar.
- Osłona listwy zaciskowej jednostki zewnętrznej musi być mocno zamocowana. W przypadku nieprawidłowego montażu tej osłony pył i wilgoć mogą przedostać się do środka urządzenia i być przyczyną porażenia prądem lub pożaru.
- Do napełniania przewodów czynnika chłodniczego podczas instalacji, zmiany miejsca pracy lub prowadzenia serwisowania klimatyzatora należy stosować jedynie określony czynnik chłodniczy (R410A). Nie należy mieszać go z innym czynnikiem chłodniczym ani dopuszczać do pozostawiania powietrza w przewodach. Zmieszanie czynnika z powietrzem może spowodować nieprawidłowe wysokie ciśnienie w układzie chłodniczym i doprowadzić do wybuchu bądź innych zagrożeń. Zastosowanie czynnika innego od określonego dla tego układu spowoduje uszkodzenia mechaniczne, awarię układu lub uszkodzenie urządzenia. W najgorszym przypadku może to doprowadzić do poważnego naruszenia bezpieczeństwa produktu.
- Używać tylko wyposażenia dodatkowego dopuszczonego przez Mitsubishi Electric; zlecić montaż sprzedawcy lub uprawnionemu technikowi. Nieprawidłowa instalacja wyposażenia dodatkowego może być przyczyną nieszczelności, porażenia prądem lub pożaru.
- Nie wykonywać żadnych przeróbek urządzenia. Skonsultować każdą naprawę ze sprzedawcą. Nieprawidłowa przeróbka lub naprawa urządzenia może być przyczyną nieszczelności, porażenia prądem lub pożaru.
- Użytkownik nie powinien samodzielnie próbować naprawiać ani przestawiać urządzenia w inne miejsce. Nieprawidłowa instalacja urządzenia może być przyczyną nieszczelności, porażenia prądem lub pożaru. W przypadku konieczności naprawy lub przeniesienia klimatyzatora należy zwrócić się do sprzedawcy lub uprawnionego technika.
- Po zakończeniu instalacji sprawdzić, czy nie ma nieszczelności w obiegu czynnika chłodniczego. W przypadku wycieku czynnika chłodniczego do wnętrza pomieszczenia i jego kontaktu z płomieniem kotła grzewczego lub palnikiem kuchenki elektrycznej powstają trujące gazy.
- Urządzenie należy zainstalować zgodnie z krajowymi przepisami dotyczącymi instalacji elektrycznych.
- Jeśli przewód sieciowy jest uszkodzony, musi zostać wymieniony przez producenta, przedstawiciela jego serwisu lub osobę o podobnych kwalifikacjach, aby uniknąć zagrożenia.



# 1. Zalecenia bezpieczeństwa

## 1.1. Przed rozpoczęciem instalacji

### ⚠ Przewaga:

- Nie używać urządzenia w środowisku odbiegającym od normalnego. Jeśli klimatyzator jest zainstalowany w miejscu narażonym na działanie pary wodnej, olejów eterycznych (w tym oleju maszynowego), zsiarzonego gazu, powietrza zawierającego sól, na wybrzeżu lub w miejscu, gdzie może zostać zasypany śniegiem, jego wydajność może ulec znaczącemu obniżeniu, a części wewnętrzne mogą ulec uszkodzeniu.
- Nie instalować urządzenia w miejscach, w których może dojść do wycieku, powstania, przepływu lub nagromadzenia palnych gazów. Gaz palny nagromadzony wokół urządzenia może być przyczyną pożaru lub wybuchu.
- Podczas ogrzewania w jednostce zewnętrznej powstają skropliny. Jeśli taki kondensat może spowodować szkody, należy odprowadzić go poza urządzenie.
- W przypadku instalacji urządzenia w szpitalu lub w obiekcie, w którym są zainstalowane systemy telekomunikacji, mogą występować szumy i zakłócenia elektroniczne. Falowniki, sprzęt AGD, sprzęt medyczny pracujący na wysokiej częstotliwości oraz systemy łączności radiowej mogą spowodować awarię lub uszkodzenie klimatyzatora. Klimatyzator również może powodować nieprawidłowości w pracy sprzętu medycznego i urządzeń telekomunikacyjnych, obniżając jakość obrazu na monitorach.

## 1.2. Przed instalacją (przeniesienie w inne miejsce)

### ⚠ Przewaga:

- Zachować szczególną ostrożność przy transporcie urządzeń. Urządzenie waży 20 kg lub więcej i musi być przenoszone przez min. dwie osoby. Nie chwycić za taśmę opakowania. Podczas rozpakowywania i przenoszenia urządzenia należy nosić rękawice ochronne w celu ochrony rąk przed zranieniem spowodowanym użebrowaniem lub innymi częściami.
- Zapewnić bezpieczną użycie materiału opakowania. Materiały opakowania, takie jak gwoździe i inne elementy metalowe oraz drewniane, mogą spowodować rany klute i inne obrażenia ciała.
- Należy okresowo sprawdzać, czy podstawa montażowa i mocowania jednostki zewnętrznej nie są odkręcone, pęknięte lub w inny sposób uszkodzone. Nieusunięcie takich usterek może doprowadzić do upadku urządzenia, powodując uszkodzenie i obrażenia ciała.
- Nie używać wody do mycia klimatyzatora. Ryzyko porażenia prądem elektrycznym.
- Dokręcić nakrętki kielichowe zgodnie ze specyfikacją, używając klucza dynamometrycznego. Zbyt mocne dokręcenie może doprowadzić do pęknięcia nakrętki kielichowej po dłuższym czasie i wycieku czynnika chłodniczego.

## 1.3. Przed rozpoczęciem prac na wyposażeniu elektrycznym

### ⚠ Przewaga:

- Upewnić się, że zainstalowano wyłączniki automatyczne. Ich brak może być przyczyną porażenia prądem elektrycznym.
- Do doprowadzenia zasilania użyć standardowych kabli odpowiednich do wielkości obciążenia. W przeciwnym razie może dojść do zwarcia, przegrzania lub pożaru.
- Kable zasilające układać tak, aby nie były naprężone. Poluzowanie połączeń może spowodować pęknięcie lub przerwanie oraz przegrzanie kabli, a w konsekwencji pożar.
- Wykonać prawidłowe uziemienie urządzenia. Nie łączyć przewodu uziemiającego z rurami gazowymi ani wodnymi, instalacją odgromową ani z telefonicznymi przewodami uziemiającymi. Niewłaściwe uziemienie urządzenia może stwarzać ryzyko porażenia prądem elektrycznym.
- Zastosować wyłączniki automatyczne (wyłączniki ziemnozwarciowe, odłączniki (bezpieczniki +B) oraz automatyczne wyłączniki kompaktowe) spełniające wymagania w zakresie podanego progu zadziałania. Użycie wyłączników o progu zadziałania większym niż podany może być przyczyną uszkodzenia urządzenia lub pożaru.

## 1.4. Przed rozpoczęciem pracy próbnej

### ⚠ Przewaga:

- Włączyć główny przełącznik zasilania na min. 12 h przed rozpoczęciem pracy. Uruchomienie urządzenia natychmiast po włączeniu zasilania może spowodować poważne uszkodzenie podzespołów wewnętrznych. Podczas eksploatacji urządzenia nie wyłączać głównego wyłącznika zasilania.
- Przed rozpoczęciem pracy urządzenia sprawdzić, czy wszystkie osłony, obudowy oraz pozostałe zabezpieczenia zostały prawidłowo założone. Części wirujące, gorące lub znajdujące się pod wysokim napięciem mogą powodować obrażenia ciała.
- Nie dotykać żadnych przełączników wilgotnymi rękoma. Ryzyko porażenia prądem elektrycznym.
- Podczas pracy nie dotykać przewodów czynnika chłodniczego gołymi rękoma. Przewody te są gorące lub zimne zależnie od stanu przepływającego w nich czynnika chłodniczego. Dotknięcie rur grozi poparzeniem lub odmrożeniem.
- Po zakończeniu pracy odczekać min. pięć minut przed wyłączeniem głównego wyłącznika zasilania. W przeciwnym razie może dojść do wycieku wody lub uszkodzenia urządzenia.

## 1.5. Korzystanie z klimatyzatorów z czynnikiem chłodniczym R410A

### ⚠ Przewaga:

- W przypadku bezzwowych rur miedzianych lub ze stopów miedzi do łączenia rur czynnika chłodniczego należy używać stopu miedzi z fosforem C1220. Upewnić się, że rury są wewnątrz czyste i nie zawierają żadnych szkodliwych zanieczyszczeń, takich jak związki siarki, utleniacze, zabrudzenia lub pył. Stosować rury o określonej grubości. (Patrz strona 293) W razie ponownego wykorzystania istniejących rur, które zawierały czynnik chłodniczy R22, należy uwzględnić poniższe zalecenia.
- Wymienić istniejące nakrętki kielichowe i powtórzyć kielichowanie rur kielichowanych.
- Nie używać cienkich rur. (Patrz strona 293)
- Rury przeznaczone do instalacji należy przechować w pomieszczeniu i nie usuwać zaślepek z ich końców aż do czasu lutowania. (Zostawić kolanka itp. w ich opakowaniach). W przypadku przedostania się pyłu, zanieczyszczeń lub wilgoci do rur czynnika chłodniczego może dojść do pogorszenia się jakości oleju lub awarii sprężarki.
- Jako olej chłodniczy do smarowania rur kielichowanych powinien być używany olej estrowy, olej eterowy lub olej alkilobenzenowy (mała ilość). Zmieszanie oleju mineralnego z olejem chłodniczym może pogorszyć jego jakość.
- Używać wyłącznie czynnika chłodniczego R410A. W przypadku użycia innego czynnika chłodniczego chlor spowoduje pogorszenie jakości oleju.
- Stosować niższe wymienione narzędzia przeznaczone specjalnie do pracy z czynnikiem chłodniczym R410A. Czynniki chłodnicze R410A wymaga stosowania poniższych narzędzi. W razie jakichkolwiek pytań należy kontaktować się z lokalnym sprzedawcą.

Narzędzia (kompatybilne z R410A)	
Przyłącze manometru	Kielichownica
Wąż do uzupełniania	Sprawdzian do pomiaru regulacji
Wykrywacz wycieku gazu	Adapter pompy próżniowej
Klucz dynamometryczny	Elektroniczna waga do uzupełniania czynnika

- Upewnić się, że są stosowane odpowiednie narzędzia. W przypadku przedostania się pyłu, zanieczyszczeń lub wilgoci do rur czynnika chłodniczego jakość oleju chłodniczego może ulec pogorszeniu.
- Do załadunku czynnika nie stosować butli. W razie używania butli do załadunku czynnika chłodniczego jego skład może ulec zmianie, prowadząc do obniżenia wydajności.

## 2. Miejsce instalacji

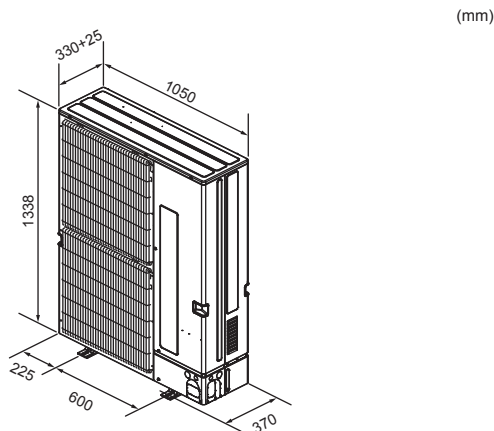


Fig. 2-1

Tabela 2 Liczba możliwych do podłączenia jednostek wewnętrznych

• Jednostki wewnętrzne City Multi

P112	1-9 *1
P125	1-10 *2
P140	1-12 *3

\*1 Podłączając jednostki wewnętrzne z serii M za pomocą zestawu połączeniowego, można podłączyć 10 jednostek wewnętrznych.

\*2 Podłączając jednostki wewnętrzne z serii M za pomocą zestawu połączeniowego, można podłączyć 12 jednostek wewnętrznych.

\*3 Kiedy wszystkie jednostki wewnętrzne to modele P15, można podłączyć 12 jednostek wewnętrznych.

• System skrzynki rozdzielczej (jednostki wewnętrzne z serii M, S, P przez skrzynkę rozdzielczą)

P112	2-8
P125	2-8
P140	2-8

• System mieszany (jednostki wewnętrzne City Multi i jednostki wewnętrzne z serii M, S, P przez skrzynkę rozdzielczą)

	Jedna skrzynka rozdzielcza		Dwie skrzynki rozdzielcze	
	Przez skrzynkę rozdzielczą	Jednostka wewnętrzna City Multi	Przez skrzynkę rozdzielczą	Jednostka wewnętrzna City Multi
P112	Maks. 5	Maks. 5*1	Maks. 7 Maks. 8	Maks. 3*1 Maks. 2*1
P125	Maks. 5	Maks. 5*1	Maks. 8	Maks. 3*1
P140	Maks. 5	Maks. 5*1	Maks. 8	Maks. 3*1

\*1 Jednostek wewnętrznych typu PKFY-P-VBM, PFFY-P-VKM oraz PFFY-P-VL\* nie można stosować w systemie mieszanym.

Tabela 3 Dane techniczne urządzenia PWFY

	Model	PWFY-P100VM-E-AU
Zakres temp. ogrzewania	Temp. na zewnątrz	-15 do 21°C (DB), -15 do 15°C (WB)
	Temp. wody na wlocie	10 do 45°C
Zakres temp. chłodzenia	Temp. na zewnątrz	-
	Temp. wody na wlocie	-

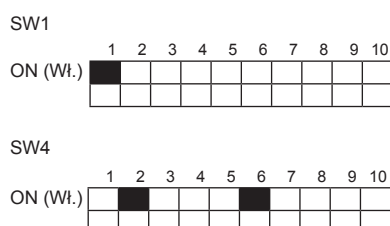


Fig. 2-2

### 2.1. Rura czynnika chłodniczego

Patrz Fig. 4-1.

### 2.2. Wybór miejsca instalacji jednostki zewnętrznej

- Unikać miejsc narażonych na bezpośrednie działanie promieni słonecznych lub innych źródeł ciepła.
- Wybrać takie miejsce, w którym hałas wytwarzany przez urządzenie nie będzie przeszkadzał sąsiadom.
- Wybrać takie miejsce, które zapewni łatwy dostęp do rur i przewodów źródła zasilania i jednostki wewnętrznej.
- Unikać miejsc, w których może dojść do wycieku, powstania, przepływu lub nagromadzenia palnych gazów.
- Pamiętać, że podczas pracy z urządzeniem może wyciekać woda.
- Wybrać takie położenie, w którym nie będzie problemu z obciążeniem (od ciężaru) i drganiami urządzenia.
- Unikać miejsc, w których urządzenie może zostać zasypane śniegiem. W miejscach, gdzie przewidywane występowanie dużych opadów śniegu, należy zastosować szczególne środki ostrożności, aby śnieg nie zablokował wlotu powietrza i nie był bezpośrednio do niego nawiewany, na przykład instalując urządzenie na większej wysokości lub zakładając okap na wlocie powietrza. Zablokowanie wlotu powietrza może zmniejszyć jego przepływ i spowodować awarię.
- Unikać miejsc narażonych na działanie oleju, pary wodnej lub zasilarskiego gazu.
- Podczas przenoszenia jednostki zewnętrznej należy trzymać ją za uchwyty. Nie trzymać urządzenia za podstawę, ponieważ istnieje ryzyko przygniecenia dłoni lub palców.

### 2.3. Wymiary gabarytowe (jednostki zewnętrznej) (Fig. 2-1)

#### Ograniczenia dotyczące instalacji jednostki wewnętrznej

Należy pamiętać, że do tej jednostki zewnętrznej mogą zostać podłączone następujące modele jednostek wewnętrznych.

• Jednostki wewnętrzne o numerach modeli 15-140.

• Używając skrzynki rozdzielczej, można podłączyć jednostki wewnętrzne o numerach modeli 15-100.

• Możliwe kombinacje pomieszczeniowych jednostek wewnętrznych zawiera tabela 1 poniżej.

#### Weryfikacja

Aby określić wydajność znamionową, należy odnieść się do poniższej tabeli. Liczba jednostek jest ograniczona zgodnie z poniższą tabelą 2. Następnie należy upewnić się, że wybrana całkowita wydajność znamionowa mieści się w zakresie 50–130% wydajności jednostki zewnętrznej.

- PUMY-P112 6,3 – 16,2 kW
- PUMY-P125 7,1 – 18,2 kW
- PUMY-P140 8,0 – 20,2 kW

Tabela 1-1 Jednostki wewnętrzne City Multi (seria P-FY)

Typ jednostki wewnętrznej	P15*	P20	P25	P32	P40	P50	P63	P71	P80	P100	P125	P140
Wydajność znamionowa (chłodzenie) (kW)	1,7	2,2	2,8	3,6	4,5	5,6	7,1	8,0	9,0	11,2	14,0	16,0

Tabela 1-2 (seria M, seria P, seria S)

Typ jednostki wewnętrznej	15	20	22	25	35	42	50	60	71	80	100
Wydajność znamionowa (chłodzenie) (kW)	1,5	2,0	2,2	2,5	3,5	4,2	5,0	6,0	7,1	8,0	10,0

Kombinacje, w których całkowita wydajność jednostek wewnętrznych przekracza wydajność jednostki zewnętrznej, obniżają wydajność chłodzenia poszczególnych jednostek wewnętrznych poniżej ich znamionowej wydajności chłodzenia. Dlatego w miarę możliwości należy łączyć jednostki wewnętrzne z jednostką zewnętrzną, nie przekraczając jej wydajności.

\* Kiedy wszystkie jednostki wewnętrzne to modele P15, do 1 jednostki zewnętrznej można podłączyć 12 jednostek wewnętrznych.

### 2.4. Podłączanie urządzenia PWFY

Wykorzystując urządzenie PWFY jako jednostkę wewnętrzną, należy mieć na uwadze następujące kwestie, ponieważ urządzenie PWFY różni się od innych jednostek wewnętrznych.

Urządzenia PWFY nie można podłączać na terenie UE.

#### 2.4.1. Ograniczenia dotyczące podłączenia

• Można podłączyć tylko 1 urządzenie PWFY-P100VM-E-AU. Nie można łączyć urządzeń PWFY-P200VM-E-AU i PWFY-P100VM-E-BU.

• Urządzenie PWFY nie może być jedynym urządzeniem podłączonym do jednostki zewnętrznej. Należy wybrać jednostkę zewnętrzną, aby całkowita wydajność znamionowa jednostek wewnętrznych, oprócz urządzenia PWFY, wynosiła 50–100% wydajności jednostki zewnętrznej.

Limity całkowitej wydajności znamionowej jednostek wewnętrznych w przypadku podłączenia urządzenia PWFY

- PUMY-P112 (1 urządzenie PWFY + urządzenia inne niż PWFY [6,3 – 12,5 kW])
- PUMY-P125 (1 urządzenie PWFY + urządzenia inne niż PWFY [7,1 – 14,0 kW])
- PUMY-P140 (1 urządzenie PWFY + urządzenia inne niż PWFY [8,0 – 15,5 kW])

#### 2.4.2. Specyfikacje jednostek wewnętrznych

W przypadku podłączenia urządzenia PWFY do urządzenia PUMY następujące specyfikacje ulegną zmianie.

- Urządzenie PWFY może pracować tylko w trybie ogrzewania. Urządzenie PWFY nie może pracować w trybie chłodzenia. Natomiast jednostki wewnętrzne inne niż urządzenie PWFY mogą pracować w trybie chłodzenia.
- Pozostałe jednostki wewnętrzne nie mogą pracować w tym samym czasie, co urządzenie PWFY.
- Praca urządzenia PWFY ma pierwszeństwo. Kiedy urządzenie PWFY jest w trybie pracy, pozostałe jednostki wewnętrzne zostaną zatrzymane.
- Ustawienie temperatury pilota zdalnego sterowania jest wartością docelową dla temperatury wody na wylocie.

#### 2.4.3. Ustawienia przełącznika (Fig. 2-2)

Podłączając urządzenie PWFY do urządzenia PUMY, należy ustawić przełączniki DIP SW1-1, SW4-2 i SW4-6 urządzenia PWFY w pozycji Wł.

#### 2.4.4. Praca próbna

Jeśli praca próbna jest przeprowadzana z wykorzystaniem przełączników jednostki zewnętrznej, urządzenie PWFY nie będzie działać. Należy przeprowadzić pracę próbną za pomocą przełączników urządzenia PWFY lub pilota zdalnego sterowania.

Informacje na temat przeprowadzania pracy próbnej zostały podane w danych technicznych lub w instrukcji serwisowej urządzenia PWFY.

#### 2.4.5. Ustawianie czynnika chłodniczego (odpompowanie)

Krok ① w procedurze odpompowania zaleca, aby użytkownik "przełączył wszystkie jednostki wewnętrzne w tryb chłodzenia". Jednak urządzenie PWFY nie będzie pracować w trybie chłodzenia.

Należy przełączyć w tryb chłodzenia wszystkie jednostki wewnętrzne oprócz urządzenia PWFY.

## 2. Miejsce instalacji

### 2.5. Podłączanie jednostki z zasobnikiem (EHST20C) lub jednostki hydrobox (EHSC)

Podłączając jednostkę z zasobnikiem lub jednostkę hydrobox, należy mieć na uwadze następujące kwestie, ponieważ jednostki te różnią się od innych jednostek wewnętrznych.

#### 2.5.1. Ograniczenia dotyczące podłączania

- Można podłączyć tylko 1 jednostkę z zasobnikiem (EHST20C) lub 1 jednostkę hydrobox (EHSC).
- (Nie można podłączyć serii EHST20C-MEC, serii EHST20D, serii EHPT20X, serii EHSD, serii EHSC-MEC, serii ERSD, serii ERSC ani serii EHPX).
- Podłączając systemy Ecodan, należy użyć skrzynki rozdzielczej PAC-MK32/52BC(B). (Nie można użyć skrzynki rozdzielczej PAC-MK31/51BC(B)).
- Urządzenia PWFY nie mogą być podłączone w tym samym czasie, co jednostka z zasobnikiem lub jednostka hydrobox.
- Można łączyć jednostki wewnętrzne ATA\*1 o całkowitej wydajności znamionowej 50–130% wydajności jednostki zewnętrznej i 1 jednostkę z zasobnikiem lub 1 jednostkę hydrobox.

\*1 Jednostka wewnętrzna powietrze-powietrze: Jednostka wewnętrzna inna niż PWFY, jednostka z zasobnikiem i jednostka hydrobox.

PUMY-P112	1 jednostka z zasobnikiem lub 1 jednostka hydrobox + jednostki wewnętrzne ATA [maks. 16,2 (1,3 <sup>*2</sup> ) kW]
PUMY-P125	1 jednostka z zasobnikiem lub 1 jednostka hydrobox + jednostki wewnętrzne ATA [maks. 18,2 (2,8 <sup>*2</sup> ) kW]
PUMY-P140	1 jednostka z zasobnikiem lub 1 jednostka hydrobox + jednostki wewnętrzne ATA [maks. 20,2 (4,3 <sup>*2</sup> ) kW]

\*2 W przypadku pracy jednostki z zasobnikiem lub jednostki hydrobox w trybie ogrzewania / trybie CWU i jednoczesnej pracy jednostek wewnętrznych powietrze-powietrze (ATA).

Można jednak podłączyć następujące kombinacje.

- PUMY-P112: MSZ-SF15VE × 1
- PUMY-P125: MSZ-SF15VE × 2
- PUMY-P140: MSZ-SF15VE × 3

#### 2.5.2. Specyfikacje jednostek wewnętrznych

W przypadku podłączania jednostki z zasobnikiem lub jednostki hydrobox następujące specyfikacje ulegną zmianie.

- Jednostka z zasobnikiem lub jednostka hydrobox nie może pracować w trybie chłodzenia.
- Tryb pracy jednostki z zasobnikiem lub jednostki hydrobox zawsze ma pierwszeństwo.
- Nie można korzystać z ekologicznego trybu pracy CWU.
- Maksymalna temperatura zasilania wynosi 55°C. (Przełącznik DIP SW1-2 w jednostce z zasobnikiem lub w jednostce hydrobox należy ustawić w pozycji WYŁ.).
- Monitorowanie energii jest możliwe pod warunkiem podłączenia zewnętrznego miernika energii.
- Nie można sterować wieloma jednostkami zewnętrznymi.
- Nie można podłączyć jednostki z zasobnikiem lub jednostki hydrobox do pilota zdalnego sterowania M-NET ani sterownika centralnego.
- Blokada kotła jest możliwa pod warunkiem przełączenia na temperaturę powietrza na zewnątrz.
- Jednostek z zasobnikiem lub jednostek hydrobox nie można grupować z jednostkami wewnętrznymi powietrze-powietrze (ATA).
- W przypadku pracy jednostki z zasobnikiem lub jednostki hydrobox w **trybie ogrzewania** i jednoczesnej pracy jednostek wewnętrznych powietrze-powietrze (ATA) należy mieć na uwadze następujące kwestie.
  - Zakres temperatur zasilania ogrzewania jednostki z zasobnikiem lub jednostki hydrobox wynosi 45°C - 55°C.
  - Należy ustawić zakres temperatur zasilania, odnosząc się do instrukcji montażu jednostki z zasobnikiem lub jednostki hydrobox.
  - Temperatura na zewnątrz musi wynosić co najmniej -10°C. Kiedy temperatura na zewnątrz jest niższa niż 7°C, temperatura zasilania i temperatura nadmuchu zostają obniżone.
- Podczas pracy jednostki z zasobnikiem lub jednostki hydrobox w **trybie CWU** oraz pracy jednostek wewnętrznych powietrze-powietrze (ATA) w tym samym czasie temperatura na zewnątrz musi wynosić co najmniej 7°C. Kiedy temperatura na zewnątrz jest niższa niż 7°C, jednostki te nie mogą pracować jednocześnie.

#### 2.5.3. Ustawienia przełącznika

Podłączając jednostkę z zasobnikiem lub jednostkę hydrobox do urządzenia PUMY, należy ustawić przełącznik DIP SW1-2 jednostki z zasobnikiem lub jednostki hydrobox w pozycji WYŁ.

#### 2.5.4. Praca próbna

Przeprowadzić pracę próbną jednostki z zasobnikiem lub jednostki hydrobox z poziomu jednostki wewnętrznej.

(Szczegółowe informacje na temat pracy próbnej zawiera instrukcja montażu jednostki z zasobnikiem lub jednostki hydrobox).

#### 2.5.5. Usunięcie czynnika chłodniczego (odpompowanie)

Wykonać czynności podane w punkcie 7.3.

### 2.6. Podłączanie jednostki wewnętrznej oferującej tylko chłodzenie

Jeśli system zawiera jedną lub więcej jednostek wewnętrznych oferujących tylko chłodzenie, należy ustawić cały system jako system chłodzenia.

Ustawić jednostki zgodnie z tabelą 4.

Tabela 4 Procedura ustawiania samego chłodzenia

Urządzenie		Ustawienie
Jednostka zewnętrzna	PUMY-P-V/YKM(E)4	Przełącznik DIP SW2-6 na płycie drukowanej sterownika Multi: ON (Wł.)
Skrzynka rozdzielcza	PAC-MK-BC(B)	Przełącznik DIP SW4-5 na płycie drukowanej sterownika skrzynki rozdzielczej: ON (Wł.)
Jednostka wewnętrzna	Seria CITY MULTI	Przełącznik DIP SW3-1 na płycie drukowanej sterownika jednostki wewnętrznej: ON (Wł.)
	Seria M, S, P	Ustawienie nie jest wymagane.

### 2.7. Podłączanie PEFY-P-VMA3-E

Używając urządzenia PEFY-P-VMA3-E, należy zastosować następujące kombinacje w przypadku podłączonych jednostek wewnętrznych.

	PUMY-P112	PUMY-P125	PUMY-P140
OK	PEFY-P25VMA3-E × 2 + PEFY-P32VMA3-E × 2	PEFY-P32VMA3-E × 4	PEFY-P32VMA3-E × 3 + PEFY-P40VMA3-E × 1
NIE	Wszystkie kombinacje oprócz powyższych Przykład. 1: PEFY-P25VMA3-E × 2 + PEFY-P32VMA3-E × 2 Przykład. 2: PEFY-P25VMA3-E × 2 + PEFY-P32VMA3-E × 1 Przykład. 3: PEFY-P32VMA3-E × 4 (Kombinacja dla PUMY-P125) Przykład. 4: PEFY-P25VMA3-E × 2 + PEFY-P32VMA3-E × 2 + MSZ-FH25VE × 1	Wszystkie kombinacje oprócz powyższych Przykład. 1: PEFY-P32VMA3-E × 3 + PEFY-P32VMA3-E × 1 Przykład. 2: PEFY-P32VMA3-E × 3 Przykład. 3: PEFY-P25VMA3-E × 2 + PEFY-P32VMA3-E × 2 (kombinacja dla PUMY-P112) Przykład. 4: PEFY-P32VMA3-E × 3 + PLFY-P20VFM-E × 1 + SEZ-KD25VA × 1	Wszystkie kombinacje oprócz powyższych Przykład. 1: PEFY-P32VMA3-E × 3 + PEFY-P40VMA3-E × 1 Przykład. 2: PEFY-P32VMA3-E × 2 + PEFY-P40VMA3-E × 1 Przykład. 3: PEFY-P32VMA3-E × 4 (Kombinacja dla PUMY-P125) Przykład. 4: PEFY-P32VMA3-E × 3 + PCFY-P40VKM-E × 1 + MSZ-SF15VA × 1

Przykład. 1: Wybrano inną jednostkę montowaną w suficie niż z serii VMA3. Kombinacje z innymi seriami montowanymi w suficie nie są możliwe.  
Przykład. 2: Liczba jednostek jest nieprawidłowa.  
Przykład. 3: Kombinacja dotyczy jednostki o innej wydajności.  
Przykład. 4: Kombinacja nie jest kombinacją "OK".

### 2.8. Podłączanie PLFY-EP-VEM-E

W przypadku PLFY-EP-VEM-E można podłączyć maksymalnie 2 jednostki.

Pozostałe jednostki wewnętrzne\*1 można podłączyć, nie przekraczając całkowitej wydajności znamionowej i maksymalnej liczby podłączonych jednostek.

\*1 Nie dotyczy PEFY-P-VMA3-E i PEFY-P-VMH-EF.

## 2. Miejsce instalacji

### 2.9. Wentylacja i przestrzeń serwisowa

#### 2.9.1. Instalacja jednej jednostki zewnętrznej

Poniższe wymiary są wartościami minimalnymi, za wyjątkiem tych oznaczonych jako "Maks.", które są wymiarami maksymalnymi.

W każdym przypadku należy odwołać się do odpowiedniego rysunku.

- ① Miejsce ograniczone tylko z tyłu (Fig. 2-3)
- ② Miejsce ograniczone tylko z tyłu i od góry (Fig. 2-4)
  - Nie instalować opcjonalnych kierownic wylotowych powietrza dla przepływu powietrza w górę.
- ③ Miejsce ograniczone tylko z tyłu i po bokach (Fig. 2-5)
- ④ Miejsce ograniczone tylko z przodu (Fig. 2-6)
  - \* W razie użycia opcjonalnej kierownicy wylotowej powietrza odstęp wynosi 500 mm lub więcej.
- ⑤ Miejsce ograniczone tylko z przodu i z tyłu (Fig. 2-7)
  - \* W razie użycia opcjonalnej kierownicy wylotowej powietrza odstęp wynosi 500 mm lub więcej.
- ⑥ Miejsce ograniczone tylko z tyłu, po bokach i od góry (Fig. 2-8)
  - Nie instalować opcjonalnych kierownic wylotowych powietrza dla przepływu powietrza w górę.

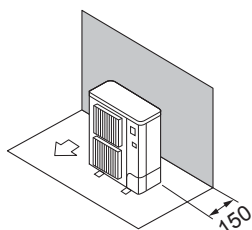


Fig. 2-3

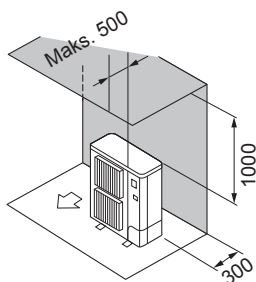


Fig. 2-4

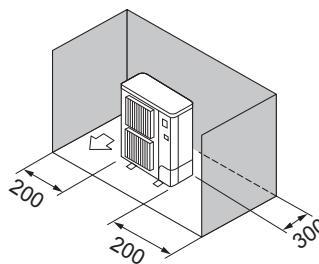


Fig. 2-5

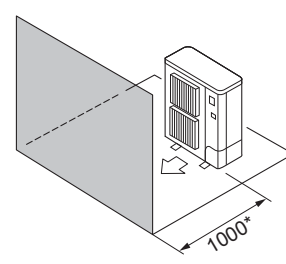


Fig. 2-6

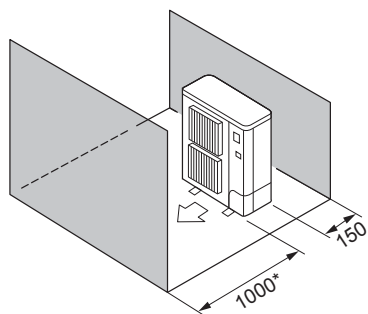


Fig. 2-7

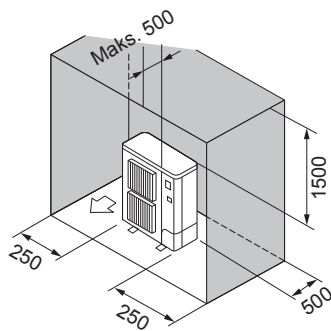


Fig. 2-8

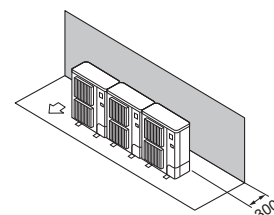


Fig. 2-9

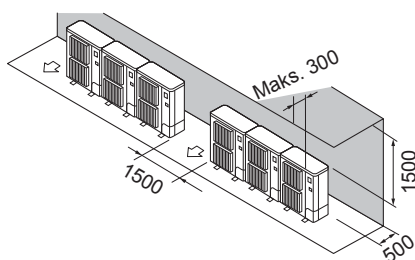


Fig. 2-10

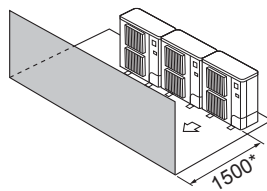


Fig. 2-11

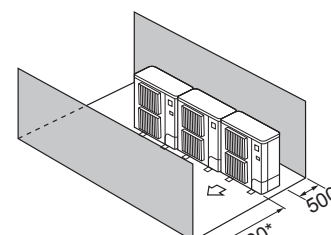


Fig. 2-12

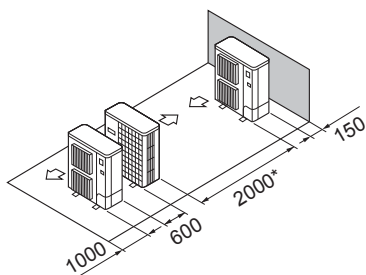


Fig. 2-13

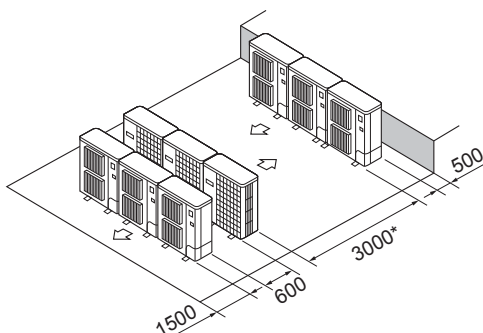


Fig. 2-14

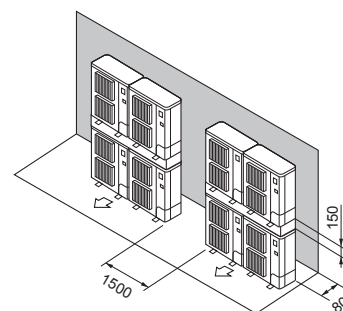


Fig. 2-15

#### 2.9.2. Instalacja wielu jednostek zewnętrznych

Pozostawić min. 25 mm wolnej przestrzeni między poszczególnymi jednostkami.

- ① Miejsce ograniczone tylko z tyłu (Fig. 2-9)
- ② Miejsce ograniczone tylko z tyłu i od góry (Fig. 2-10)
  - Nie więcej niż trzy urządzenia mogą być zainstalowane jedno obok drugiego. Ponadto należy pozostawić wolną przestrzeń jak pokazano na rysunku.
  - Nie instalować opcjonalnych kierownic wylotowych powietrza dla przepływu powietrza w górę.
- ③ Miejsce ograniczone tylko z przodu (Fig. 2-11)
  - \* W razie użycia opcjonalnej kierownicy wylotowej powietrza, odstęp wynosi 1000 mm lub więcej.
- ④ Miejsce ograniczone tylko z przodu i z tyłu (Fig. 2-12)
  - \* W razie użycia opcjonalnej kierownicy wylotowej powietrza, odstęp wynosi 1000 mm lub więcej.
- ⑤ Równoległa zabudowa pojedynczych jednostek zewnętrznych (Fig. 2-13)
  - \* W przypadku użycia opcjonalnej kierownicy wylotowej powietrza dla przepływu powietrza w górę odstęp wynosi 1000 mm lub więcej.
- ⑥ Równoległa zabudowa więcej niż jednej jednostki zewnętrznej (Fig. 2-14)
  - \* W przypadku użycia opcjonalnej kierownicy wylotowej powietrza dla przepływu powietrza w górę odstęp wynosi 1500 mm lub więcej.
- ⑦ Zabudowa jednostek zewnętrznych jedna na drugiej (Fig. 2-15)
  - Maksymalnie dwa urządzenia mogą być zainstalowane jedno na drugim.
  - Nie więcej niż dwa urządzenia mogą być umieszczone jedno na drugim. Ponadto należy pozostawić wolną przestrzeń jak pokazano na rysunku.

## 2. Miejsce instalacji

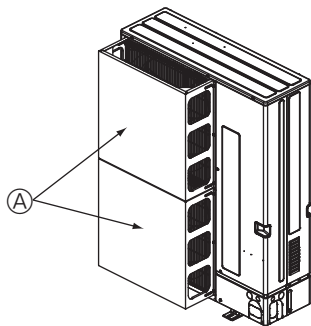


Fig. 2-16

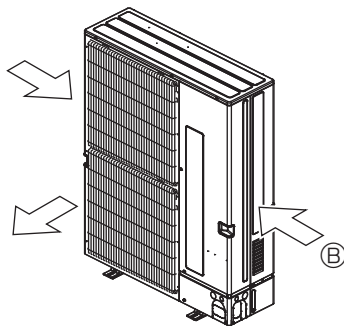


Fig. 2-17

### 2.9.3. Instalacja w miejscu, w którym wieją silne wiatry

W przypadku instalacji jednostki zewnętrznej na dachu lub w innym miejscu narażonym na działanie wiatru nie umieszczaj wylotu powietrza z urządzenia w kierunku, z którego wieją silne wiatry. Silny wiatr działający na wylot powietrza może zakłócać jego normalny przepływ i powodować awarie.

Poniżej podano dwa przykłady zabezpieczeń przed działaniem silnych wiatrów.

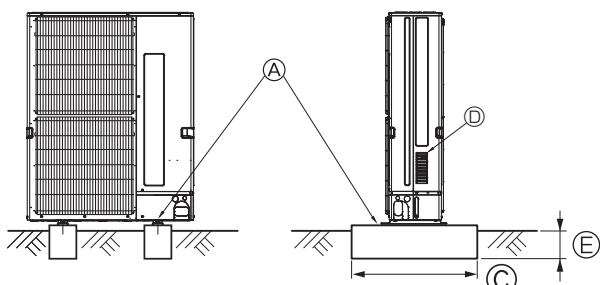
① Zainstalować opcjonalną kierownicę powietrza w przypadku, gdy jednostka zewnętrzna jest zainstalowana w miejscu, w którym silny wiatr, np. tajfun, może bezpośrednio działać na wylot powietrza. (Fig. 2-16).

Ⓐ Kierownica powietrza

② Jeśli to możliwe, należy tak ustawić jednostkę zewnętrzną, aby kierunek wylotu powietrza był prostopadły do kierunku wiatru w danej porze roku. (Fig. 2-17).

Ⓑ Kierunek wiatru

## 3. Instalacja jednostki zewnętrznej



(mm)

• Upewnić się, że urządzenie jest umieszczone na solidnym, równym podłożu, chroniącym przed powstawaniem odgłosu klekotania podczas pracy. (Fig. 3-1).

<Specyfikacje fundamentów>

Śruba fundamentowa	M10 (3/8")
Grubość warstwy betonu	120 mm
Długość śruby	70 mm
Zdolność przeniesienia obciążenia	320 kg

• Sprawdzić, czy śruby fundamentowe są wkręcone na głębokość 30 mm od spodu podstawy.

• Mocno przykręcić płytę podstawy urządzenia do solidnego podłoża za pomocą 4 śrub fundamentowych M10.

### Instalacja jednostki zewnętrznej

• Nie zasłaniać otworu wentylacyjnego. W przypadku zasłonięcia otworu dojdzie do zakłóceń w pracy urządzenia i może ono ulec uszkodzeniu.

• W razie konieczności wykonania dodatkowego zamocowania urządzenia oprócz podstawy urządzenia należy wykorzystać otwory montażowe znajdujące się w jego tylnej części do przymocowania przewodów itp. Do montażu należy użyć wkrętów samowiertujących (ø5 × 15 mm lub mniejszych).

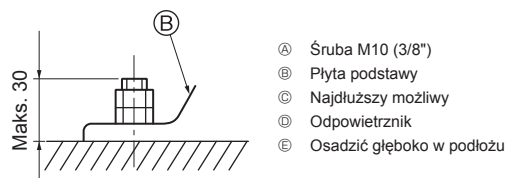
### ⚠ Ostrzeżenie:

• Urządzenie należy zamontować na konstrukcji, która bezpiecznie wytrzyma jego ciężar. W przypadku montażu na niestabilnej konstrukcji urządzenie może spaść z wysokości i spowodować szkody materialne i/ lub obrażenia ciała.

• Urządzenie należy zainstalować zgodnie z instrukcją celem zminimalizowania ryzyka powstania uszkodzeń spowodowanych trzęsieniem ziemi, tajfunem lub silnym wiatrem. Nieprawidłowo zainstalowane urządzenie może spaść z wysokości i spowodować szkody materialne i/ lub obrażenia ciała.

### ⚠ Przewaga:

• Zainstalować urządzenie na sztywnej konstrukcji, aby zapobiec nadmiernemu hałasowi i wibracjom.



- Ⓐ Śruba M10 (3/8")
- Ⓑ Płyta podstawy
- Ⓒ Najdłuższy możliwy
- Ⓓ Odpowietrznik
- Ⓔ Osadzić głęboko w podłożu

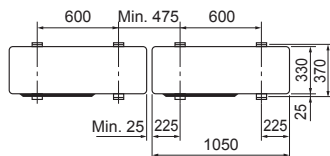


Fig. 3-1

## 4. Instalacja rur czynnika chłodniczego

### 4.1. Środki ostrożności w przypadku urządzeń, które wykorzystują czynnik chłodniczy R410A

• Strona 289 zawiera dodatkowe, niewymienione niżej środki ostrożności dotyczące używania klimatyzatorów z czynnikiem chłodniczym R410A.

• Jako olej chłodniczy do smarowania rur kielichowanych powinien być używany olej estrowy, olej eterowy lub olej alkilobenzenowy (mała ilość).

• W przypadku bezszwowych rur miedzianych lub ze stopów miedzi do łączenia rur czynnika chłodniczego należy używać stopu miedzi z fosforem C1220. Należy użyć rur czynnika chłodniczego o grubości podanej w tabeli poniżej. Upewnić się, że rury są wewnątrz czyste i nie zawierają żadnych szkodliwych zanieczyszczeń, takich jak związki siarki, utleniające, zabrudzenia lub pył.

### ⚠ Ostrzeżenie:

Do napełniania przewodów czynnika chłodniczego podczas instalacji, zmiany miejsca pracy lub prowadzenia serwisowania klimatyzatora należy stosować jedynie określony czynnik chłodniczy (R410A). Nie należy mieszać go z innym czynnikiem chłodniczym ani dopuszczać do pozostawiania powietrza w przewodach. Zmieszanie czynnika z powietrzem może spowodować nieprawidłowe wysokie ciśnienie w układzie chłodniczym i doprowadzić do wybuchu bądź innych zagrożeń. Zastosowanie czynnika innego od określonego dla tego układu spowoduje uszkodzenia mechaniczne, awarię układu lub uszkodzenie urządzenia. W najgorszym przypadku może to doprowadzić do poważnego naruszenia bezpieczeństwa produktu.

ø6,35, ø9,52, ø12,7	Grubość 0,8 mm
ø15,88	Grubość 1,0 mm

• Nie używać rur cieńszych niż podane powyżej.

• Grubości podane w powyższej tabeli opierają się na normach japońskich. Należy użyć rur o maksymalnym ciśnieniu roboczym 4,15 MPa [601 PSIG] lub wyższym, zgodnie ze standardami lokalnymi.

## 4. Instalacja rur czynnika chłodniczego

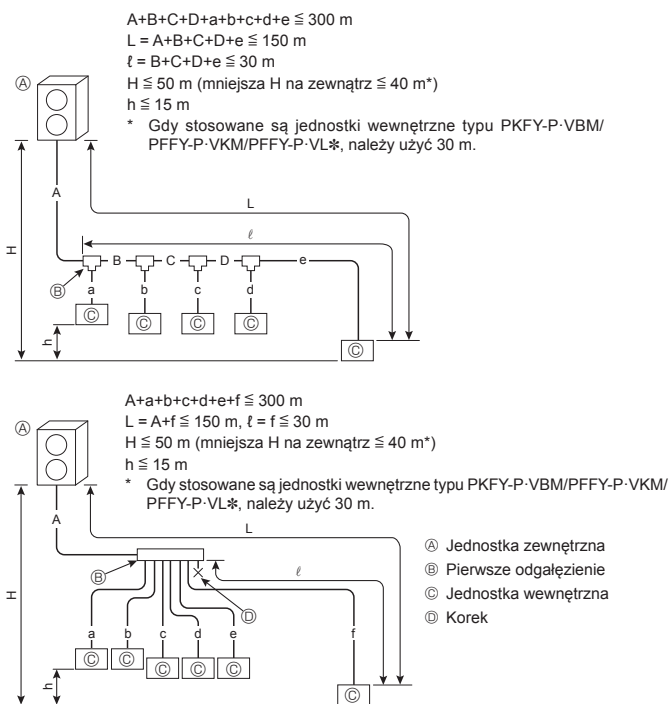


Fig. 4-1

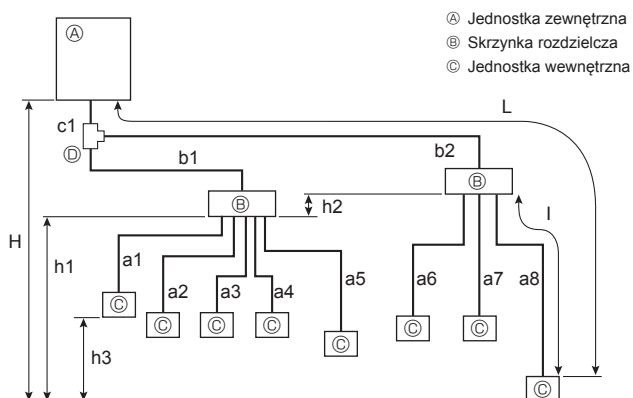


Fig. 4-2

Dopuszczalna długość (w jedną stronę)	Całkowita długość przewodów rurowych	$c1 + b1 + b2 + a1 + a2 + a3 + a4 + a5 + a6 + a7 + a8 \leq 150$ m
	Największa długość przewodów rurowych (L)	$c1 + b2 + a8 \leq 80$ m
	Długość przewodów rurowych między jednostką zewnętrzną i skrzynkami rozdzielczymi	$c1 + b1 + b2 \leq 55$ m
	Najdalej położona skrzynka rozdzielcza od pierwszego złącza (b2)	$b2 \leq 30$ m
	Największa długość przewodów rurowych za skrzynką rozdzielczą (l)	$a8 \leq 25$ m
	Całkowita długość przewodów rurowych między skrzynkami rozdzielczymi i jednostkami wewnętrznymi	$a1 + a2 + a3 + a4 + a5 + a6 + a7 + a8 \leq 95$ m
Dopuszczalna różnica wysokości (w jedną stronę)	Na odcinku jednostka wewnętrzna/jednostka zewnętrzna (H) *1	$H \leq 50$ m (kiedy jednostka zewnętrzna jest ustawiona wyżej niż jednostka wewnętrzna) $H \leq 40$ m (kiedy jednostka zewnętrzna jest ustawiona niżej niż jednostka wewnętrzna)
	Na odcinku skrzynka rozdzielcza/jednostka wewnętrzna (h1)	$h1 + h2 \leq 15$ m
	W każdej skrzynce rozdzielczej (h2)	$h2 \leq 15$ m
	W każdej jednostce wewnętrznej (h3)	$h3 \leq 12$ m
Liczba zgięć	$c1 + b1 + a1$  ,   $c1 + b1 + a2$  ,   $c1 + b1 + a3$  ,   $c1 + b1 + a4$  ,   $c1 + b1 + a5$  ,   $c1 + b2 + a6$  ,   $c1 + b2 + a7$  ,   $c1 + b2 + a8$   $\leq 15$	

\*1 Skrzynkę rozdzielczą należy umieścić na poziomie między jednostką zewnętrzną i jednostkami wewnętrznymi.

### 4.2. Różnica długości i wysokości rur

#### 4.2.1. Podłączenie bez skrzynki rozdzielczej (Fig. 4-1)

A	(mm)	
	Ⓐ Rura cieczowa	Ⓑ Rura gazowa
PUMY-P112-140	$\varnothing 9,52$	$\varnothing 15,88$

B, C, D	(mm)	
	Ⓒ Całkowita wydajność jednostek wewnętrznych	Ⓐ Rura cieczowa Ⓑ Rura gazowa
	$\varnothing 9,52$	$\varnothing 15,88$

a, b, c, d, e, f	(mm)	
	Ⓓ Numer modelu	Ⓐ Rura cieczowa Ⓑ Rura gazowa
	15, 20, 25, 32, 40, 50	$\varnothing 6,35$ $\varnothing 12,7$
	63, 80, 100, 125, 140	$\varnothing 9,52$ $\varnothing 15,88$

Ⓔ Model rozdzielacza	
CMY-Y62-G-E	
Ⓕ Rozdzielacz o 4 odgałęzieniach CMY-Y64-G-E	Ⓖ Rozdzielacz o 8 odgałęzieniach CMY-Y68-G-E

\* W przypadku łączenia ZESTAWU POŁĄCZENIOWEGO (PAC-LV11M-J) i jednostki wewnętrznej z serii M, wybierając wielkość rur i długość przewodów rurowych, należy odnieść się do instrukcji montażu ZESTAWU POŁĄCZENIOWEGO.

#### 4.2.2. Podłączenie ze skrzynką rozdzielczą (Fig. 4-2)

- Urządzenie ma połączenia kielichowe po stronie jednostki wewnętrznej, skrzynki rozdzielczej i jednostki zewnętrznej.
- Należy zdjąć pokrywę zaworu jednostki zewnętrznej, po czym podłączyć rurę.
- Do podłączania skrzynki rozdzielczej i jednostki zewnętrznej służą rury czynnika chłodniczego.

## 4. Instalacja rur czynnika chłodniczego

### 4.2.3. System mieszany (jednostki wewnętrzne City Multi i jednostki wewnętrzne z serii M, S, P przez skrzynkę rozdzielczą) (Fig. 4-3)

#### 1. W przypadku używania 1 skrzynki rozdzielczej

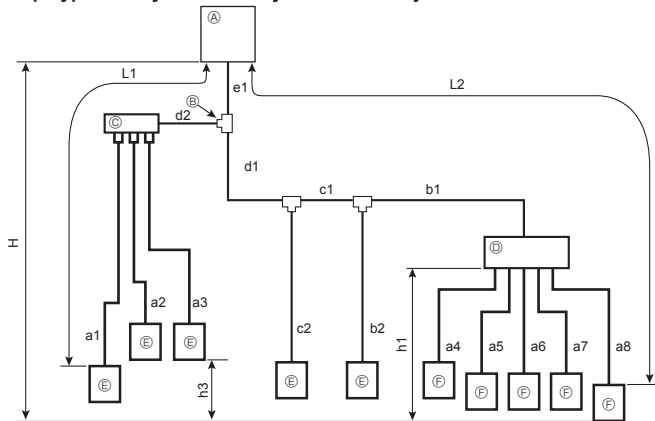


Fig. 4-3 (a)

- Ⓐ Jednostka zewnętrzna
- Ⓑ Pierwsze złącze
- Ⓒ Rozdzielacz z odgałęzieniem (CMY)
- Ⓓ Skrzynka rozdzielcza (PAC-MK-BC(B))
- Ⓔ Jednostka wewnętrzna CityMulti\*
- Ⓕ Jednostka wewnętrzna z serii M, S, P, jednostka z zasobnikiem lub jednostka hydrobox
- \* Jednostek wewnętrznych typu PKFY-P-VBM, PFFY-P-VKM oraz PFFY-P-VL\* nie można stosować w systemie mieszanym.

Dopuszczalna długość (w jedną stronę)	Całkowita długość przewodów rurowych	$e1 + d1 + d2 + c1 + c2 + b1 + b2 + a1 + a2 + a3 + a4 + a5 + a6 + a7 + a8 \leq 300 \text{ m} *3$
	Największa długość przewodów rurowych (L1)	$e1 + d2 + a1$ lub $e1 + d1 + c1 + b2 \leq 85 \text{ m}$
	Największa długość przewodów rurowych. Przez skrzynkę rozdzielczą (L2)	$e1 + d1 + c1 + b1 + a8 \leq 80 \text{ m}$
	Długość przewodów rurowych między jednostką zewnętrzną i skrzynką rozdzielczą	$e1 + d1 + c1 + b1 \leq 55 \text{ m}$
	Największa długość przewodów rurowych od pierwszego złącza	$d1 + c1 + b1, d1 + c1 + b2, d1 + c2$ lub $d2 + c1 \leq 30 \text{ m}$
	Największa długość przewodów rurowych za skrzynką rozdzielczą	$a8 \leq 25 \text{ m}$
	Całkowita długość przewodów rurowych między skrzynkami rozdzielczymi i jednostkami wewnętrznymi	$a4 + a5 + a6 + a7 + a8 \leq 95 \text{ m}$
Dopuszczalna różnica wysokości (w jedną stronę)	Na odcinku jednostka wewnętrzna/jednostka zewnętrzna (H) *2	$H \leq 50 \text{ m}$ (kiedy jednostka zewnętrzna jest ustawiona wyżej niż jednostka wewnętrzna) $H \leq 40 \text{ m}$ (kiedy jednostka zewnętrzna jest ustawiona niżej niż jednostka wewnętrzna)
	Na odcinku skrzynka rozdzielcza/jednostka wewnętrzna (h1)	$h1 \leq 15 \text{ m}$
	W każdej jednostce wewnętrznej (h3)	$h3 \leq 12 \text{ m}$
Liczba zgięć		$ e1 + d2 + a1 ,  e1 + d2 + a2 ,  e1 + d2 + a3 ,  e1 + d1 + c2 ,  e1 + d1 + c1 + b2 ,  e1 + d1 + c1 + b1 + a4 ,  e1 + d1 + c1 + b1 + a5 ,  e1 + d1 + c1 + b1 + a6 ,  e1 + d1 + c1 + b1 + a7 ,  e1 + d1 + c1 + b1 + a8  \leq 15$

\*2: Skrzynkę rozdzielczą należy umieścić na poziomie między jednostką zewnętrzną i jednostkami wewnętrznymi.

\*3: W przypadku podłączenia jednostki z zasobnikiem lub jednostki hydrobox maksymalna długość przewodów rurowych wynosi 150 m.

#### 2. W przypadku używania 2 skrzynek rozdzielczych

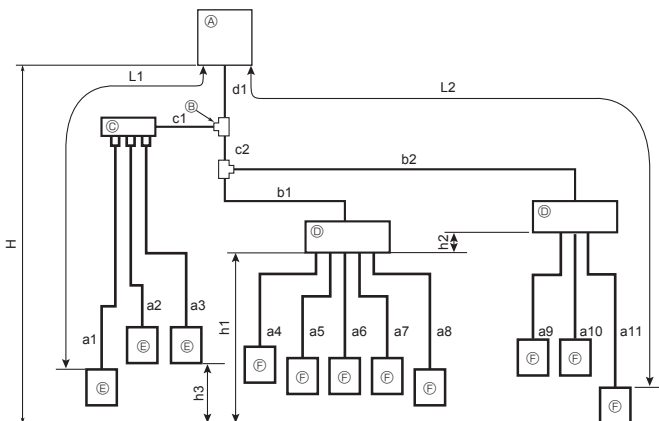


Fig. 4-3 (b)

- Ⓐ Jednostka zewnętrzna
- Ⓑ Pierwsze złącze
- Ⓒ Rozdzielacz z odgałęzieniem (CMY)
- Ⓓ Skrzynka rozdzielcza (PAC-MK-BC(B))
- Ⓔ Jednostka wewnętrzna CityMulti\*
- Ⓕ Jednostka wewnętrzna z serii M, S, P, jednostka z zasobnikiem lub jednostka hydrobox
- \* Jednostek wewnętrznych typu PKFY-P-VBM, PFFY-P-VKM oraz PFFY-P-VL\* nie można stosować w systemie mieszanym.

Dopuszczalna długość (w jedną stronę)	Całkowita długość przewodów rurowych	$d1 + c1 + c2 + b1 + b2 + a1 + a2 + a3 + a4 + a5 + a6 + a7 + a8 + a9 + a10 + a11 \leq 240 \text{ m} *3$
	Największa długość przewodów rurowych (L1)	$d1 + c1 + a1 \leq 85 \text{ m}$
	Największa długość przewodów rurowych. Przez skrzynkę rozdzielczą (L2)	$d1 + c2 + b2 + a11 \leq 80 \text{ m}$
	Długość przewodów rurowych między jednostką zewnętrzną i skrzynkami rozdzielczymi	$d1 + c2 + b1 + b2 \leq 55 \text{ m}$
	Największa długość przewodów rurowych od pierwszego złącza	$c2 + b2$ lub $c1 + a1 \leq 30 \text{ m}$
	Największa długość przewodów rurowych za skrzynką rozdzielczą	$a11 \leq 25 \text{ m}$
	Najdalej położona skrzynka rozdzielcza od jednostki zewnętrznej	$d1 + c2 + b2 \leq 55 \text{ m}$
	Całkowita długość przewodów rurowych między skrzynkami rozdzielczymi i jednostkami wewnętrznymi	$a4 + a5 + a6 + a7 + a8 + a9 + a10 + a11 \leq 95 \text{ m}$
Dopuszczalna różnica wysokości (w jedną stronę)	Na odcinku jednostka wewnętrzna/jednostka zewnętrzna (H) *2	$H \leq 50 \text{ m}$ (kiedy jednostka zewnętrzna jest ustawiona wyżej niż jednostka wewnętrzna) $H \leq 40 \text{ m}$ (kiedy jednostka zewnętrzna jest ustawiona niżej niż jednostka wewnętrzna)
	Na odcinku skrzynka rozdzielcza/jednostka wewnętrzna (h1+h2)	$h1 + h2 \leq 15 \text{ m}$
	W każdej skrzynce rozdzielczej (h1)	$h2 \leq 15 \text{ m}$
	W każdej jednostce wewnętrznej (h3)	$h3 \leq 12 \text{ m}$
Liczba zgięć		$ d1 + c1 + a1 ,  d1 + c1 + a2 ,  d1 + c1 + a3 ,  d1 + c2 + b1 + a4 ,  d1 + c2 + b1 + a5 ,  d1 + c2 + b1 + a6 ,  d1 + c2 + b1 + a7 ,  d1 + c2 + b1 + a8 ,  d1 + c2 + b2 + a9 ,  d1 + c2 + b2 + a10 ,  d1 + c2 + b2 + a11  \leq 15$

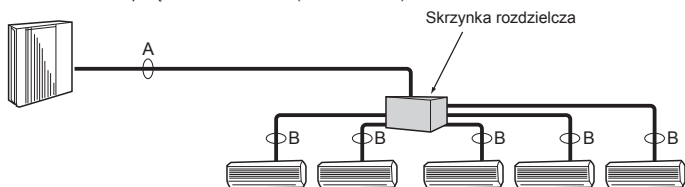
\*2: Skrzynkę rozdzielczą należy umieścić na poziomie między jednostką zewnętrzną i jednostkami wewnętrznymi.

\*3: W przypadku podłączenia jednostki z zasobnikiem lub jednostki hydrobox maksymalna długość przewodów rurowych wynosi 150 m.

## 4. Instalacja rur czynnika chłodniczego

### ■ W przypadku używania 1 skrzynki rozdzielczej

Zastosowano połączenie kielichowe. (Bez lutowania)



### ■ W przypadku używania 2 skrzynek rozdzielczych

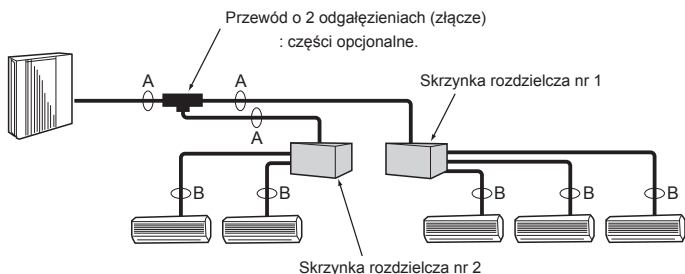


Fig. 4-4

(1) Rozmiar zaworu jednostki zewnętrznej

Ciecz	ø9,52 mm
Gaz	ø15,88 mm

(2) Rozmiar zaworu skrzynki rozdzielczej

JEDNOSTKA	Rura cieczowa	ø6,35 mm
▲	Rura gazowa	ø9,52 mm
■	Rura cieczowa	ø6,35 mm
■	Rura gazowa	ø9,52 mm
□	Rura cieczowa	ø6,35 mm
□	Rura gazowa	ø9,52 mm
▣	Rura cieczowa	ø6,35 mm
▣	Rura gazowa	ø9,52 mm
▤	Rura cieczowa	ø6,35 mm
▤	Rura gazowa	ø12,7 mm

\* Typ o 3 odgałęzieniach: tylko jednostki ▲, ■, □

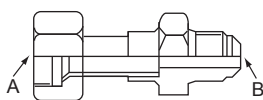


Fig. 4-5

Formuła konwersji

1/4 F	ø6,35
3/8 F	ø9,52
1/2 F	ø12,7
5/8 F	ø15,88
3/4 F	ø19,05

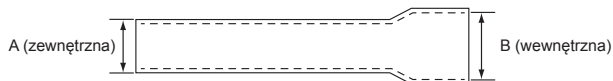


Fig. 4-6

## 4.3. Wybór rozmiaru rury

### 4.3.1. Podłączenie bez skrzynki rozdzielczej

		Jednostka wewnętrzna		Jednostka zewnętrzna
		15-50	63-140	112-140
Strona gazowa	Średnica rury (mm)	ø12,7	ø15,88	ø15,88
Strona cieczowa	Średnica rury (mm)	ø6,35	ø9,52	ø9,52

### 4.3.2. Podłączenie ze skrzynką rozdzielczą (Fig. 4-4)

	A	B
Ciecz (mm)	ø9,52	Wielkość przyłącza przewodów rurowych różni się w zależności od typu i wydajności jednostek wewnętrznych. Należy dopasować wielkość przyłącza przewodów rurowych skrzynki rozdzielczej do jednostki wewnętrznej. Jeśli wielkość przyłącza przewodów rurowych skrzynki rozdzielczej nie pasuje do wielkości przyłącza przewodów rurowych jednostki wewnętrznej, należy użyć opcjonalnych złączy o innej średnicy (zniekształconych) po stronie skrzynki rozdzielczej. (Zniekształcone złącze należy podłączyć bezpośrednio po stronie skrzynki rozdzielczej).
Gaz (mm)	ø15,88	

### Złącze o innej średnicy (części opcjonalne) (Fig. 4-5)

Nazwa modelu	Średnica podłączonych rur mm	Średnica A mm	Średnica B mm
MAC-A454JP	ø9,52 → ø12,7	ø9,52	ø12,7
MAC-A455JP	ø12,7 → ø9,52	ø12,7	ø9,52
MAC-A456JP	ø12,7 → ø15,88	ø12,7	ø15,88
PAC-493PI	ø6,35 → ø9,52	ø6,35	ø9,52
PAC-SG76RJ-E	ø9,52 → ø15,88	ø9,52	ø15,88

### Złącze o innej średnicy (części opcjonalne) (Fig. 4-6)

Nazwa modelu	Średnica podłączonych rur mm	Średnica zewnętrzna A mm	Średnica wewnętrzna B mm
PAC-SG78RJB-E	ø9,52 → ø12,7	ø9,52	ø12,7
PAC-SG79RJB-E	ø12,7 → ø9,52	ø12,7	ø9,52
PAC-SG80RJB-E	ø12,7 → ø15,88	ø12,7	ø15,88
PAC-SG77RJB-E	ø6,35 → ø9,52	ø6,35	ø9,52
PAC-SG76RJB-E	ø9,52 → ø15,88	ø9,52	ø15,88

### Przygotowywanie instalacji rurowej

① Poniższa tabela zawiera dane techniczne rur dostępnych na rynku.

Średnica zewnętrzna mm	Grubość izolacji mm	Materiał izolacyjny
6,35	8	Pianka izolacyjna ognioodporna ciężar właściwy 0,045
9,52	8	
12,7	8	
15,88	8	

② Należy upewnić się, że 2 rury czynnika chłodniczego są zaizolowane, aby zapobiec skraplaniu.

③ Promień zginania rur czynnika chłodniczego musi wynosić 100 mm lub więcej.

### ⚠ Przewaga:

Użyć izolacji o podanej grubości. Nadmierna grubość może spowodować nieprawidłową instalację jednostki wewnętrznej i skrzynki rozdzielczej, a zbyt mała grubość może spowodować skraplanie.

**Przewód o 2 odgałęzieniach (złącze):** Części opcjonalne (można wybrać preferowane części odpowiednio do metody łączenia).

Nazwa modelu	Metoda łączenia
MSDD-50AR-E	kielichowanie
MSDD-50BR-E	lutowanie

### ■ Procedura instalacji (przewód o 2 odgałęzieniach (złącze))

Patrz instrukcje montażu urządzeń MSDD-50AR-E i MSDD-50BR-E.

### ■ Rozmiar rury (jednostka zewnętrzna – skrzynka rozdzielcza)

	A Rura cieczowa	B Rura gazowa
PUMY-P112-140	ø9,52	ø15,88

### ■ Rozmiar rury (skrzynka rozdzielcza-jednostka wewnętrzna) Dotyczy jednostki wewnętrznej z serii M lub serii S \*1

Seria jednostek wewnętrznych	Numer modelu	A Rura cieczowa	B Rura gazowa
Seria M lub seria S	15~42	ø6,35	ø9,52
	50	ø6,35	ø12,7
	60	ø6,35	ø15,88
	71~80	ø9,52	ø15,88
Seria P	35, 50 *2	ø6,35	ø12,7
	60~100	ø9,52	ø15,88
Jednostka z zasobnikiem	-	ø9,52	ø15,88
Jednostka hydrobox	-	ø9,52	ø15,88

\*1 Oferta możliwych do podłączenia jednostek wewnętrznych zależy od regionu/obszaru/kraju.

\*2 W przypadku jednostki wewnętrznej typu 35, 50 z serii P, należy użyć nakrętki kielichowej przymocowanej do jednostki wewnętrznej. Nie należy używać nakrętki kielichowej z wyposażenia dodatkowego jednostki wewnętrznej. Jeśli zostanie użyta, może dojść do wycieku gazu, a nawet rozłączenia rury.



## 4. Instalacja rur czynnika chłodniczego

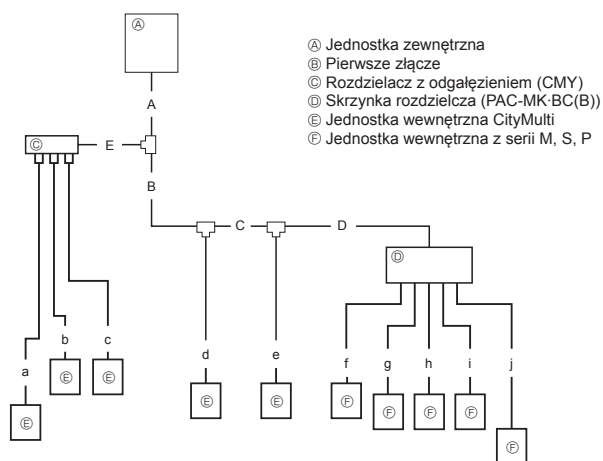


Fig. 4-7

4.3.3. System mieszany  
(jednostki wewnętrzne City Multi i jednostki wewnętrzne z serii M, S, P przez skrzynkę rozdzielczą) (Fig. 4-7).

### Rozmiar rury

A, B, C, D, E

	A Rura cieczowa	B Rura gazowa
PUMY-P112-140	ø9,52	ø15,88

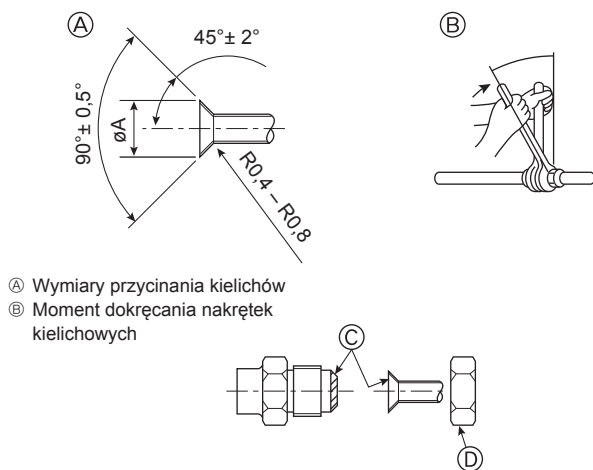
a, b, c~j

Seria jednostek wewnętrznych	Numer modelu	A Rura cieczowa	B Rura gazowa
CityMulti	15~50	ø6,35	ø12,7
	63~140	ø9,52	ø15,88
Seria M lub seria S	15~42	ø6,35	ø9,52
	50	ø6,35	ø12,7
	60	ø6,35	ø15,88
	71~80	ø9,52	ø15,88
Seria P	35, 50 *1	ø6,35	ø12,7
	60~100	ø9,52	ø15,88
Jednostka z zasobnikiem Jednostka hydrobox	–	ø9,52	ø15,88

Złącze o 2 odgałęzieniach	CMY-Y62-G-E
Rozdzielacz o 4 odgałęzieniach	CMY-Y64-G-E
Rozdzielacz o 8 odgałęzieniach	CMY-Y68-G-E

\*1 W przypadku jednostki wewnętrznej typu 35, 50 z serii P, należy użyć nakrętki kielichowej przymocowanej do jednostki wewnętrznej. Nie należy używać nakrętki kielichowej z wyposażenia dodatkowego jednostki wewnętrznej. Jeśli zostanie użyta, może dojść do wycieku gazu, a nawet rozłączenia rury.

## 4. Instalacja rur czynnika chłodniczego



- Ⓐ Wymiary przycinania kielichów  
 Ⓑ Moment dokręcania nakrętki kielichowych

Fig. 4-8

Ⓐ (Fig. 4-8)

Rura miedziana, śr. zewn. (mm)	Wymiary kielichów Wymiary $\varnothing A$ (mm)
$\varnothing 6,35$	8,7–9,1
$\varnothing 9,52$	12,8–13,2
$\varnothing 12,7$	16,2–16,6
$\varnothing 15,88$	19,3–19,7

Ⓑ (Fig. 4-8)

Rura miedziana, śr. zewn. (mm)	Nakrętka kielichowa, śr. zewn. (mm)	Moment dokręcania (Nm)
$\varnothing 6,35$	17	14–18
$\varnothing 6,35$	22	34–42
$\varnothing 9,52$	22	34–42
$\varnothing 12,7$	26	49–61
$\varnothing 12,7$	29	68–82
$\varnothing 15,88$	29	68–82
$\varnothing 15,88$	36	100–120

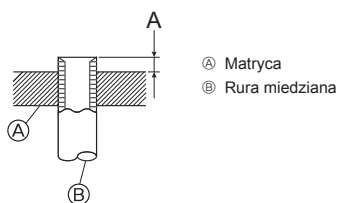


Fig. 4-9

- Ⓐ Przednia osłona rur  
 Ⓑ Osłona rur  
 Ⓒ Zawór odcinający  
 Ⓓ Panel serwisowy  
 Ⓔ Promień gięcia: 100 mm – 150 mm

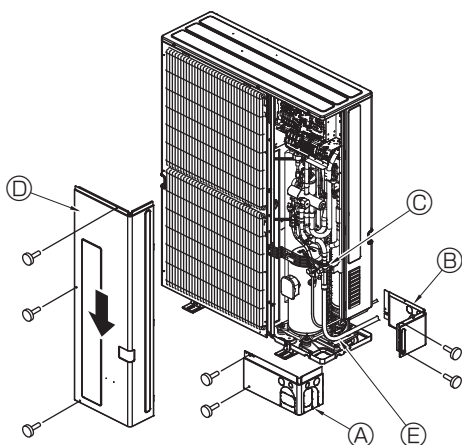


Fig. 4-10

### 4.4. Łączenie rur (Fig. 4-8)

- Należy wykonać odpowiednie zabezpieczenie przeciw kondensacji oraz izolację, aby zapobiec kapaniu wody z rur czynnika chłodniczego (rura cieczowa/rura gazowa).
- W zależności od miejsca instalacji rur czynnika chłodniczego należy zwiększyć izolację, ponieważ na powierzchni izolacyjnej może występować kondensacja. (Materiał izolacyjny odporny na wysoką temperaturę: 120°C, grubość: 15 mm lub więcej)
  - Kiedy rury czynnika chłodniczego są prowadzone w miejscach narażonych na wysoką temperaturę i wilgotność, na przykład na strychu, może być wymagane dodatkowe zwiększenie izolacji.
- Aby zaizolować rury czynnika chłodniczego, należy zastosować piankę polietylenową odporną na wysoką temperaturę między jednostką wewnętrzną i materiałem izolacyjnym, izolując także siatkę między materiałem izolacyjnym, wypełniając wszystkie szczeliny. (Powstawanie kondensacji na przewodach rurowych może prowadzić do kondensacji w pomieszczeniu lub poparzeń w wyniku kontaktu z rurami).
- Znajdujące się w pomieszczeniu odcinki rury spustowej należy owinąć materiałem izolacyjnym z pianki polietylenowej (ciężar właściwy 0,03, grubość 9 mm lub większa).
- Przed dokręceniem nakrętki kielichowej należy nasmarować powierzchnię połączenia rury i złączki cienką warstwą oleju chłodniczego. Ⓐ
- Połączenia rurowe należy dokręcać za pomocą dwóch kluczy. Ⓑ
- Po wykonaniu połączeń należy sprawdzić, czy nie ma wycieków gazu, używając do tego wykrywacza nieszczelności lub wody z mydłem.
- Nasmarować całą powierzchnię połączenia kielichowego olejem do chłodziarek. Ⓒ
- Zastosować nakrętki kielichowe dla następujących średnic rur. Ⓓ
- Zachować ostrożność podczas gięcia rur, aby ich nie połamać. Wystarczający promień gięcia to 100 mm do 150 mm.
- Dopilnować, aby rury nie dotykały sprężarki. Grozi to nietypowym hałasem lub wibracjami.

- Rury należy podłączać, zaczynając od jednostki wewnętrznej. Nakrętki kielichowe należy dokręcać kluczem dynamometrycznym.
- Wykonać kielichowanie rur cieczowych i gazowych, po czym nasmarować je cienką warstwą oleju chłodniczego (na miejscu).
- Używając standardowego uszczelnacza do rur, należy wykonać kielichowanie rur czynnika chłodniczego R410A zgodnie z Tabelą 3. Pomiary A można potwierdzić sprawdzianem do pomiaru regulacji.

**⚠ Ostrzeżenie:**  
**Podczas instalacji urządzenia, przed uruchomieniem sprężarki, należy starannie podłączyć rury czynnika chłodniczego.**

\* Aby podłączyć ZESTAW POŁĄCZENIOWY (PAC-LV11M-J), należy odnieść się do instrukcji montażu ZESTAWU POŁĄCZENIOWEGO.

Tabela 3 (Fig. 4-9)

Rura miedziana, śr. zewn. (mm)	A (mm)	
	Kielichownica do R410A	Kielichownica do R22·R407C
	Typ zaciskowy	
$\varnothing 6,35$	0–0,5	1,0–1,5
$\varnothing 9,52$	0–0,5	1,0–1,5
$\varnothing 12,7$	0–0,5	1,0–1,5
$\varnothing 15,88$	0–0,5	1,0–1,5
$\varnothing 19,05$	0–0,5	1,0–1,5

### 4.5. Rury czynnika chłodniczego (Fig. 4-10)

Zdjąć panel serwisowy Ⓒ (trzy wkręty), a także przednią osłonę rur Ⓐ (dwa wkręty) i tylną osłonę rur Ⓑ (dwa wkręty).

- Wykonać połączenia rur czynnika chłodniczego przy jednostce wewnętrznej/zewnętrznej, kiedy zawór odcinający jednostki zewnętrznej jest całkowicie zamknięty.
- Używając podciśnienia, usunąć powietrze z jednostki wewnętrznej i rur połączeniowych.
- Po podłączeniu rur czynnika chłodniczego należy sprawdzić, czy z rur połączeniowych i jednostki wewnętrznej nie wycieka gaz. (Patrz punkt 4.6. Metoda testowania szczelności rur czynnika chłodniczego)
- Odpompować do próżni przewody czynnika chłodniczego za pomocą portu serwisowego cieczowego zaworu odcinającego i gazowego zaworu odcinającego. Następnie całkowicie otworzyć zawory odcinające (cieczowy zawór odcinający i gazowy zawór odcinający). Spowoduje to całkowite połączenie przewodów czynnika chłodniczego jednostek wewnętrznej i zewnętrznej.
  - Jeśli zawory odcinające pozostaną zamknięte i urządzenie zostanie włączone, dojdzie do uszkodzenia sprężarki i zaworów sterujących.
  - Sprawdzić, czy nie ma wycieków gazu na odcinkach połączenia rur jednostki wewnętrznej, używając do tego wykrywacza nieszczelności lub wody z mydłem.
  - Nie używać czynnika chłodniczego z urządzenia do usuwania powietrza z przewodów czynnika chłodniczego.
  - Po zakończeniu pracy przy zaworach, dokręcić korki zaworów odpowiednim momentem obrotowym: 20 do 25 N m (200 do 250 kgf cm). Jeśli korki nie zostaną założone i dokręcone, może dojść do wycieku czynnika chłodniczego. Nie należy także uszkodzić wnętrza korków zaworów, ponieważ pełnią one rolę uszczelnienia, zapobiegając wyciekowi czynnika chłodniczego.
- Uszczelnić szczelnikiem zakończenia termoizolacji wokół odcinków połączenia rur, aby woda nie mogła przedostać się do termoizolacji.

## 4. Instalacja rur czynnika chłodniczego

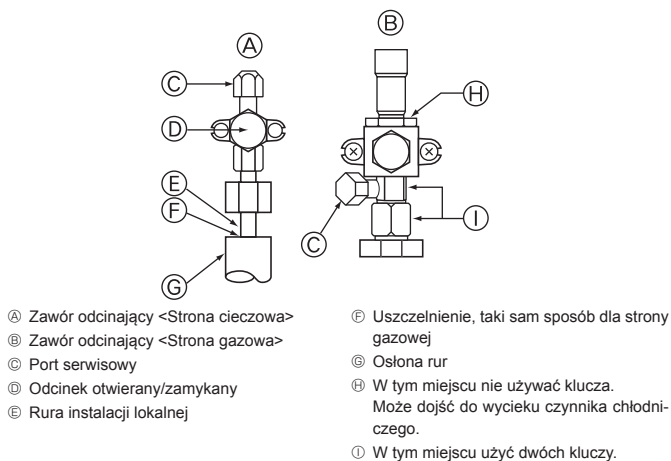


Fig. 4-11

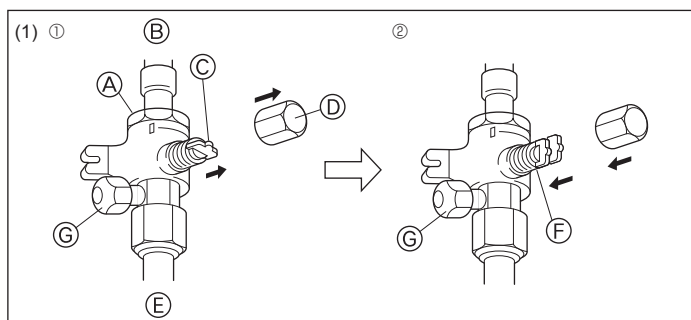


Fig. 4-12

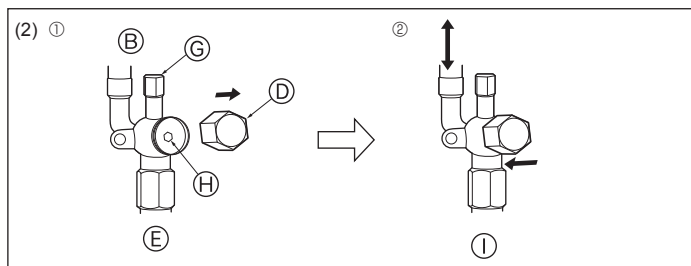


Fig. 4-13

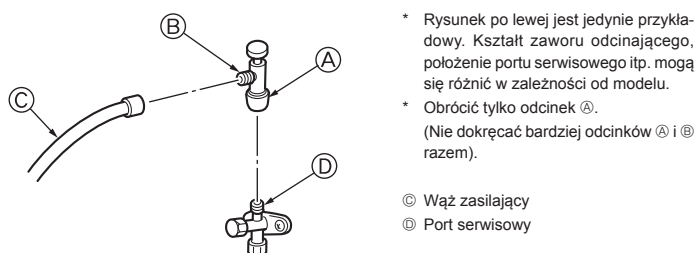


Fig. 4-14

### 4.6. Metoda testowania szczelności rur czynnika chłodniczego

- Podłączyć narzędzia testowe.
  - Upewnić się, że zawory odcinające A i B są zamknięte i nie otwierać ich.
  - Zwiększyć ciśnienie w przewodach czynnika chłodniczego za pomocą portu serwisowego C ciecowego zaworu odcinającego cieczy A i gazowego zaworu odcinającego B.
- Nie należy gwałtownie zwiększać ciśnienia do określonej wartości; należy to robić stopniowo.
  - Zwiększyć ciśnienie do 0,5 MPa (5 kgf/cm<sup>2</sup>G), odczekać pięć minut, po czym upewnić się, że ciśnienie nie spada.
  - Zwiększyć ciśnienie do 1,5 MPa (15 kgf/cm<sup>2</sup>G), odczekać pięć minut, po czym upewnić się, że ciśnienie nie spada.
  - Zwiększyć ciśnienie do 4,15 MPa (41,5 kgf/cm<sup>2</sup>G) i zmierzyć temperaturę otoczenia i ciśnienie czynnika chłodniczego.
- Jeśli określone ciśnienie utrzymuje się przez około jeden dzień i nie spada, rury pomyślnie przeszły test i są szczelne.
  - Jeśli temperatura otoczenia zmieni się o 1°C, ciśnienie zmieni się o około 0,01 MPa (0,1 kgf/cm<sup>2</sup>G). Dokonać odpowiedniej korekty.
- Jeśli ciśnienie spadnie w kroku (2) lub (3), istnieje wyciek gazu. Odszukać źródło wycieku gazu.

### 4.7. Metoda otwierania zaworu odcinającego

- Strona gazowa (Fig. 4-12)
    - Aby otworzyć zawór, należy zdjąć korek, pociągnąć dźwignię do siebie i obrócić o 1/4 obrotu w kierunku przeciwnym do ruchu wskazówek zegara.
    - Upewnić się, że zawór odcinający jest całkowicie otwarty, wcisnąć dźwignię i założyć korek.
  - Strona cieczowa (Fig. 4-13)
    - Zdjąć korek i obrócić do oporu trzpień zaworu w kierunku przeciwnym do ruchu wskazówek zegara za pomocą klucza imbusowego 4 mm. Przerwać obracanie po osiągnięciu ogranicznika.  
( $\varnothing 6,35$ : około 4,5 obrotu) ( $\varnothing 9,52$ : około 10 obrotów)
    - Upewnić się, że zawór odcinający jest całkowicie otwarty, wcisnąć dźwignię i założyć korek.
- A Zawór  
 B Strona urządzenia  
 C Dźwignia  
 D Korek  
 E Strona rury instalacji lokalnej  
 F Strona pozycji otwartej  
 G Port serwisowy  
 H Otwór na klucz  
 I Kierunek przepływu czynnika chłodniczego

- Rury czynnika chłodniczego są bezpiecznie owinięte
- Rury można bezpiecznie owinąć do średnicy  $\varnothing 90$  przed lub po ich podłączeniu. Wyciąć otwór w osłonie rur zgodnie z szablonem i owinąć rury.
- Szczelina wlotowa rur
- Uszczelnić kitem lub szczeliwem wlot wokół rur, aby nie było żadnych szczelin. (Pozostawienie szczelin może spowodować głośniejszą pracę lub dostanie się wody i kurzu do urządzenia, prowadząc do awarii).

### Środki ostrożności podczas używania zaworu zasilającego (Fig. 4-14)

- Nie dokręcać zbyt mocno portu serwisowego podczas jego instalacji, ponieważ można zdeformować i poluzować trzpień zaworu, powodując wyciek gazu.**
- Po ustawieniu odcinka B w żądanym kierunku należy obrócić tylko odcinek A i dokręcić.
- Nie dokręcać bardziej odcinków A i B po dokręceniu odcinka A.

## 4. Instalacja rur czynnika chłodniczego

### 4.8. Dodatkowa ilość czynnika chłodniczego

#### Dodatkowa ilość czynnika chłodniczego

Czynnik chłodniczy do przedłużonych przewodów rurowych nie jest dostarczony z jednostką zewnętrzną w stanie fabrycznym. Dlatego każdy układ przewodów czynnika chłodniczego należy uzupełnić dodatkowym czynnikiem chłodniczym w miejscu instalacji. Ponadto w celu przeprowadzenia serwisowania należy wprowadzić rozmiar i długość każdej rury ciecowej i dodatkowe ilości uzupełnionego czynnika chłodniczego w odpowiednich miejscach na tabliczce "Ilość czynnika chłodniczego" na jednostce zewnętrznej.

#### Obliczanie ilości dodatkowego czynnika chłodniczego

- Należy obliczyć dodatkową ilość, wykorzystując rozmiar rury ciecowej i długość przedłużonych przewodów rurowych oraz całkowitą wydajność podłączonych jednostek wewnętrznych.
- Jako wydajność jednostki z zasobnikiem lub jednostki hydrobox w obliczeniu należy zastosować 11,2 kW.
- Obliczyć ilość dodatkowego czynnika chłodniczego za pomocą procedury przedstawionej po prawej, po czym uzupełnić czynnikiem chłodniczym.
- W przypadku ilości mniejszych niż 0,1 kg, należy zaokrąglić obliczoną ilość dodatkowego czynnika chłodniczego w górę.  
(Na przykład, jeśli obliczona ilość uzupełnienia wynosi 6,01 kg, należy ją zaokrąglić do 6,1 kg).

<Uzupełnienie>

#### Obliczanie uzupełnienia czynnika chłodniczego

Rozmiar rury Rura ciecowaja	Rozmiar rury Rura ciecowaja	Całkowita wydajność podłączonych jednostek wewnętrznych	Ilość dla jednostek wewnętrznych
ø6,35	ø9,52	~ 8,0 kW	1,5 kg
(m) × 19,0 (g/m)	(m) × 50,0 (g/m)	8,1 ~ 16,0 kW	2,5 kg
		16,1 kW ~	3,0 kg

#### Ilość czynnika chłodniczego po dostawie z fabryki

Dostarczona ilość czynnika chłodniczego
4,8 kg

<Przykład>

Model zewnętrzny : P125	A : ø9,52 30 m	} Przy niższych warunkach:
Jedn. wew. 1 : P63 (7,1 kW)	a : ø9,52 15 m	
2 : P40 (4,5 kW)	b : ø6,35 10 m	
3 : P25 (2,8 kW)	c : ø6,35 10 m	
4 : P20 (2,2 kW)	d : ø6,35 20 m	

Całkowita długość poszczególnych przewodów ciecowych jest następująca:

$$\text{ø9,52: } A + a = 30 + 15 = 45 \text{ m}$$

$$\text{ø6,35: } b + c + d = 10 + 10 + 20 = 40 \text{ m}$$

Całkowita wydajność połączonej jednostki wewnętrznej jest następująca:

$$7,1 + 4,5 + 2,8 + 2,2 = 16,6$$

<Przykładowe obliczenie>

Dodatkowa ilość czynnika chłodniczego

$$40 \times \frac{19,0}{1000} + 45 \times \frac{50,0}{1000} + 3,0 = 6,1 \text{ kg (zaokrąglone w górę)}$$

## 5. Przewody spustowe

#### Podłączanie rury odprowadzającej skropliny z jednostki zewnętrznej

W przypadku konieczności zabudowy rurociągu drenażowego należy zainstalować gniazdo spustowe lub misę zlewczą (opcja).

	P112-140
Gniazdo spustowe	PAC-SG61DS-E
Misa zlewczą	PAC-SH97DP-E

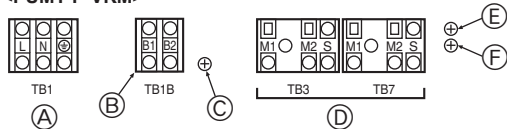
## 6. Instalacja elektryczna

### 6.1. Przestroga

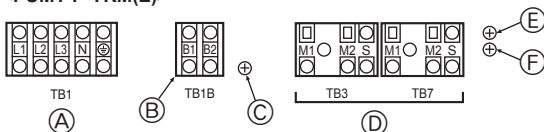
- Należy przestrzegać rozporządzeń krajowych w zakresie norm technicznych dotyczących urządzeń elektrycznych, przepisów dotyczących instalacji elektrycznych oraz wytycznych poszczególnych firm energetycznych.
- Okablowanie sterowania (nazywane w dalszej części kablem sygnałowym) musi być oddalone (przynajmniej o 5 cm) od przewodów zasilania, aby nie występowały zakłócenia elektryczne spowodowane przez przewody zasilania. (Nie umieszczać kabla sygnałowego i przewodu zasilania w tym samym korytku kablowym).
- Należy wykonać odpowiednie uziemienie jednostki zewnętrznej.
- Należy zostawić naddatek okablowania skrzynki elektrycznej jednostek wewnętrznej i zewnętrznej, ponieważ skrzynkę czasami wyjmuje się w czasie serwisowania.
- Nie wolno podłączać głównego źródła zasilania do listwy zaciskowej kabla sygnałowego. W przeciwnym razie dojdzie do spalenia części elektrycznych.
- Kabel sygnałowy powinien być 2-żyłowy i ekranowany. Jeśli jako kable sygnałowe różnych systemów użyto tego samego kabla wielożyłowego, wynikająca z tego niska jakość transmisji i odbioru spowoduje błędy w działaniu.
- Do listwy zaciskowej kabla sygnałowego jednostki zewnętrznej należy podłączyć tylko określony kabel sygnałowy.  
(Kabel sygnałowy podłączany do jednostki wewnętrznej: listwa zaciskowa TB3 do kabla sygnałowego, pozostałe: listwa zaciskowa TB7 do centralnego sterowania)  
Błędne podłączenie uniemożliwi pracę systemu.
- W przypadku podłączania sterownika wyższej klasy lub obsługi grupy w różnych układach czynnika chłodniczego wymagany jest sygnałowy kabel sterowania między poszczególnymi jednostkami zewnętrznymi.  
Kabel sterowania należy podłączyć między listwami zaciskowymi centralnego sterowania. (kabel 2-żyłowy bez polaryzacji)  
Podczas obsługi grupy w różnych układach czynnika chłodniczego bez podłączenia sterownika wyższej klasy należy przełączyć złącze zwarciove z CN41 jednej jednostki zewnętrznej w CN40.
- Grupę ustawia się za pomocą pilota.
- Łącząc ZESTAW POŁĄCZENIOWY (PAC-LV11M-J) i jednostkę wewnętrzną z serii M, należy odnieść się do instrukcji montażu ZESTAWU POŁĄCZENIOWEGO.
- Podłączając skrzynkę rozdzielczą, należy włączyć jednostki wewnętrzne i skrzynkę rozdzielczą przed włączeniem jednostki zewnętrznej.

## 6. Instalacja elektryczna

<PUMY-P-VKM>



<PUMY-P-YKM(E)>



- A Źródło zasilania  
 B Zasilanie skrzynki rozdzielczej  
 C Śruba na skrzynce elektrycznej  
 D Kabel sygnałowy  
 E Uziemienie listwy zaciskowej (TB3)  
 F Śruba na skrzynce elektrycznej

Fig. 6-1

### 6.2. Skrzynka sterująca i miejsce podłączenia okablowania (Fig. 6-1)

- Podłącz kabel sygnałowy jednostki wewnętrznej do listwy zaciskowej (TB3) kabli sygnałowych albo podłącz przewody między jednostkami zewnętrznymi lub okablowanie z centralnym systemem sterowania do listwy zaciskowej (TB7) centralnego sterowania.  
Używając kabli ekranowanych, podłącz masę ekranu kabla sygnałowego jednostki wewnętrznej do śruby (E) i podłącz masę ekranu kabla między jednostkami zewnętrznymi i kabla sygnałowego centralnego systemu sterowania do zacisku (S) ekranu listwy zaciskowej (TB7) centralnego sterowania. Ponadto w przypadku jednostek zewnętrznych, których złącze zasilania CN41 zostało zastąpione przez CN40, zacisk ekranu (S) listwy zaciskowej (TB7) centralnego systemu sterowania należy także podłączyć do śruby (E), wykorzystując dostarczony przewód uziemiający.
- Listwa zaciskowa (TB1B) dostarcza zasilanie do skrzynki rozdzielczej (220 – 240 VAC, maks. 6 A).
- Przymocuj przewody zasilania do skrzynki zaciskowej, wykorzystując przepust kompensujący siłę rozciągającą (złącze PG lub podobne).



#### Przestroga:

**Nie wolno podłączać kabla sygnałowego jednostki wewnętrznej lub kabla sygnałowego centralnego systemu sterowania do tej listwy zaciskowej (TB1B). Jeśli te kable sygnałowe zostaną podłączone, listwa zaciskowa jednostki wewnętrznej lub listwa zaciskowa centralnego sterowania mogą ulec uszkodzeniu.**

### 6.3. Podłączenie kabli sygnałowych

#### 1 Typy kabli sterowania

- Podłączanie kabli sygnałowych
  - Typy kabli sygnałowych: Przewód ekranowany CVVS, CPEVS lub MVVS
  - Średnica kabla: Ponad 1,25 mm<sup>2</sup>
  - Maks. długość przewodu: Do 200 m

#### 2. Kable zdalnego sterowania M-NET

Rodzaj kabla zdalnego sterowania	Przewód ekranowany CVVS, CPEVS lub MVVS
Średnica kabla	Od 0,5 do 1,25 mm <sup>2</sup>
Uwagi	W razie przekroczenia 10 m należy użyć kabla o takich samych parametrach, jak kable sygnałowe.

#### 3. Kable zdalnego sterowania MA

Rodzaj kabla zdalnego sterowania	izolowany kabel 2-żyłowy (nieekranowany) CVV
Średnica kabla	Od 0,3 do 1,25 mm <sup>2</sup> (od 0,75 do 1,25 mm <sup>2</sup> )*
Uwagi	Do 200 m

\* Połączony ze zwykłym pilotem.

#### 2 Przykłady okablowania

- Nazwa, symbol i dozwolona liczba pilotów.

Nazwa	Symbol	Dozwolona liczba pilotów	
Pilot jednostki zewnętrznej	OC	-	
Pilot jednostki wewnętrznej	M-IC	PUMY-P112	Od 1 do 9 jednostek na 1 OC*1
		PUMY-P125	Od 1 do 10 jednostek na 1 OC*1
		PUMY-P140	Od 1 do 12 jednostek na 1 OC*1
	A-IC	PUMY-P112	Od 2 do 8 jednostek na 1 OC*1
	PUMY-P125		
		PUMY-P140	
Skrzynka rozdzielcza	-	-	Od 0 do 2 jednostek na 1 OC
Pilot zdalnego sterowania	RC	M-NET RC *2	Maksymalnie 12 pilotów na 1 OC (nie można podłączyć, jeśli jest używana skrzynka rozdzielcza).
		MA-RC	Maksymalnie 2 na grupę

#### Uwaga:

\*1. Liczba możliwych do podłączenia urządzeń może być ograniczona przez pewne warunki, takie jak wydajność jednostki wewnętrznej lub odpowiednie zużycie energii poszczególnych urządzeń.

\*2. Nie należy używać sterownika Lossnay (PZ-61DR-E, PZ-43SMF-E, PZ-52SF-E, PZ-60DR-E).

### Przykład systemu obsługi grupy z wieloma jednostkami zewnętrznymi (wymagane są przewody ekranowane i ustawienie adresu).

<Przykładowe okablowanie kabli sygnałowych: bez skrzynki rozdzielczej>

#### ■ Patrz Fig. 6-6 od Fig. 6-2.

<Metoda okablowania i ustawienia adresów: bez systemu skrzynki rozdzielczej>

- Wykonując połączenia między jednostką zewnętrzną (OC) i jednostką wewnętrzną (M-IC), zawsze należy używać przewodów ekranowanych.
- Należy użyć przewodów zasilających do podłączenia zacisków M1 i M2 oraz zacisku uziemienia na listwie zaciskowej (TB3) kabla sygnałowego każdej jednostki zewnętrznej (OC) do zacisków M1, M2 i zacisku S na listwie zaciskowej kabla sygnałowego jednostki wewnętrznej (M-IC).
- Podłączyć zaciski 1 (M1) i 2 (M2) na listwie zaciskowej kabla sygnałowego jednostki wewnętrznej (M-IC) o najnowszym adresie w tej samej grupie do listwy zaciskowej w pilocie zdalnego sterowania (M-NET RC).
- Podłączyć zaciski M1, M2 i zacisk S na listwie zaciskowej (TB7) centralnego sterowania jednostki zewnętrznej (OC).
- Zworka CN41 na panelu sterowania nie wymaga zmiany.
- Podłączyć masę ekranu kabla sygnałowego jednostki wewnętrznej zacisku (S) ekranu (TB3), a także podłączyć zacisk (S) do śruby (E lub F), wykorzystując dostarczony przewód uziemiający.  
Podłączyć masę ekranu kabla między jednostkami zewnętrznymi oraz kabla sygnałowego centralnego systemu sterowania do zacisku (S) ekranu listwy zaciskowej (TB7).
- Ustawić przełącznik ustawiania adresu w następujący sposób.

Urządzenie	Zakres	Metoda ustawiania
M-IC (główne)	01 do 50	Użyć najnowszego adresu w tej samej grupie jednostek wewnętrznych
M-IC (podrzedne)	01 do 50	Użyć adresu innego niż adres IC (główne) spośród jednostek w tej samej grupie jednostek wewnętrznych. Musi on być zgodny z IC (główne)
Jednostka zewnętrzna	51 do 100	Użyć najnowszego adresu wszystkich jednostek wewnętrznych plus 50 * Jeśli adres zostanie ustawiony jako "01 - 50", automatycznie zmienia się na "100".
M-NET R/C (główne)	101 do 150	Ustawić adres IC (główne) w tej samej grupie plus 100
M-NET R/C (podrzedne)	151 do 200	Ustawić adres IC (główne) w tej samej grupie plus 150
MA R/C	-	Ustawienie zbędnego adresu (wymagane ustawienie główne/podrzedne)

- Obsługa ustawień grupowych wśród wielu jednostek wewnętrznych odbywa się za pomocą pilota zdalnego sterowania (M-NET RC) po włączeniu zasilania elektrycznego.

#### i. Podłączając urządzenie PWFY

- Nie należy wykonywać ustawień grupowych dla urządzenia PWFY i jednostek wewnętrznych.
- Urządzenie PWFY i urządzenie Lossnay nie mogą działać w tym samym czasie.
- Dla urządzenia PWFY należy użyć pilota zdalnego sterowania WMA.

Szczegółowe informacje zawiera instrukcja montażu urządzenia PWFY.

#### j. Podłączając jednostkę z zasobnikiem lub jednostkę hydrobox

- Nie należy wykonywać ustawień grupowych dla jednostki z zasobnikiem lub jednostki hydrobox i innych jednostek wewnętrznych.

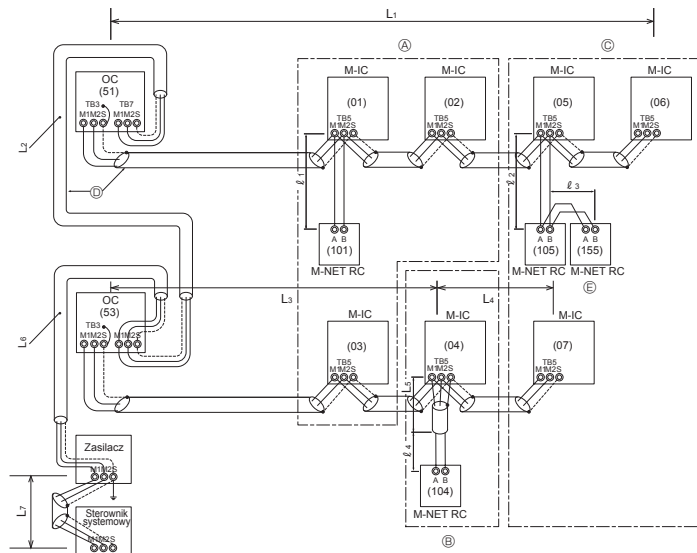
<Metoda okablowania i ustawienie adresu: z systemem skrzynki rozdzielczej>

Patrz instrukcja montażu skrzynki rozdzielczej.

## 6. Instalacja elektryczna

<Przykładowe okablowanie kabli sygnałowych: Bez skrzynki rozdzielczej>

■ Pilot zdalnego sterowania M-NET



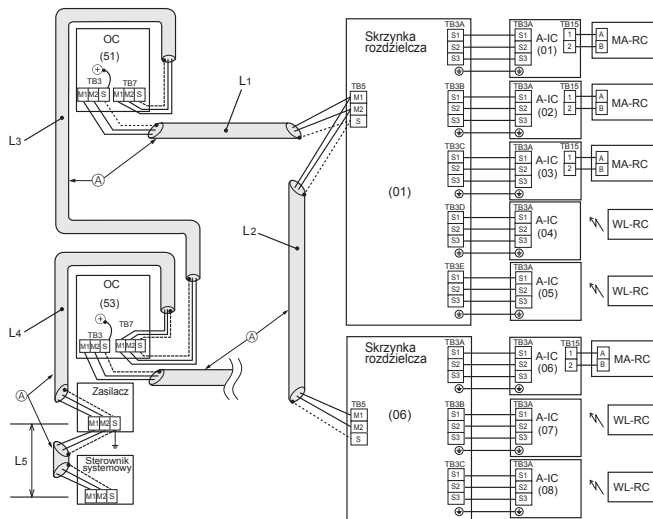
- (A) : Grupa 1
- (B) : Grupa 2
- (C) : Grupa 3
- (D) : Przewód ekranowany
- (E) : Podrzędny pilot zdalnego sterowania
- ( ) : Adres

<Dopuszczalne długości>

- Maks. długość przez jednostki zewnętrzne:  $L_1 + L_2 + L_3 + L_4$  i  $L_1 + L_2 + L_3 + L_5$  i  $L_1 + L_2 + L_5 + L_7 \leq 500$  m (1,25 mm<sup>2</sup> lub więcej)
- Maks. długość kabla sygnałowego:  $L_1$  i  $L_3 + L_4$  i  $L_3 + L_5$  i  $L_2 + L_6$  i  $L_7 \leq 200$  m (1,25 mm<sup>2</sup> lub więcej)
- Długość kabla pilota:  $l_1, l_2, l_2 + l_3, l_4 \leq 10$  m (od 0,5 do 1,25 mm<sup>2</sup>)  
Jeśli długość przekracza 10 m, należy użyć przewodu ekranowanego 1,25 mm<sup>2</sup>. Długość tego odcinka ( $L_8$ ) należy uwzględnić w obliczaniu długości maksymalnej i długości całkowitej.

Fig. 6-2

<Przykładowe okablowanie kabli sygnałowych: Połączenie ze skrzynką rozdzielczą>



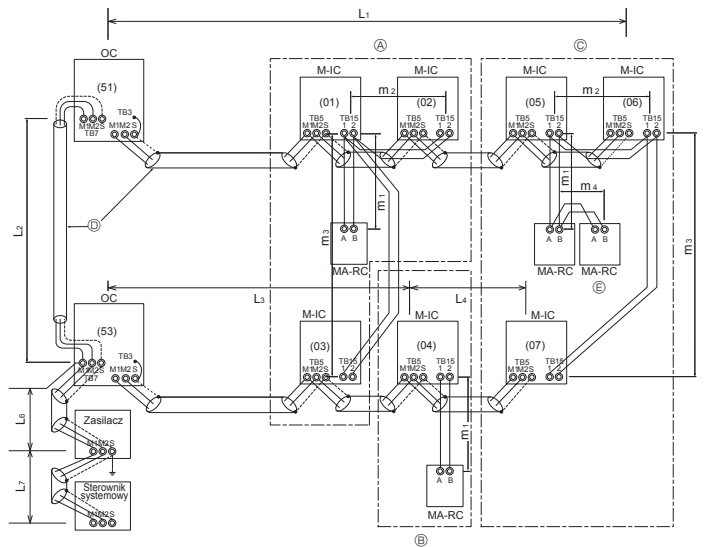
- (A) : Przewód ekranowany
- ( ) : Przykładowy adres
- A-IC : Jednostka wewnętrzna z serii M, S, P

<Dopuszczalne długości>

- Maks. długość przez jednostki zewnętrzne (kabel M-NET):  $L_1 + L_2 + L_3 + L_4 + L_5 \leq 500$  m (1,25 mm<sup>2</sup> lub więcej)
- Maks. długość kabla sygnałowego (kabel M-NET):  $L_1 + L_2, L_3 + L_4, L_5 \leq 200$  m (1,25 mm<sup>2</sup> lub więcej)

Fig. 6-4

■ Pilot zdalnego sterowania MA

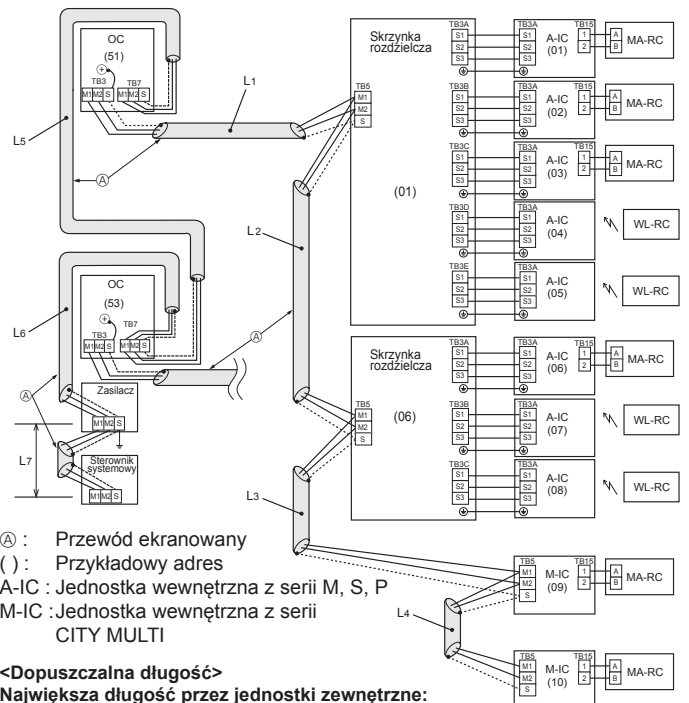


<Dopuszczalne długości>

- Maks. długość przez jednostkę zewnętrzną (kabel M-NET):  $L_1 + L_2 + L_3 + L_4$  i  $L_1 + L_2 + L_5 + L_7 \leq 500$  m (1,25 mm<sup>2</sup> lub więcej)
- Maks. długość kabla sygnałowego (kabel M-NET):  $L_1$  i  $L_3 + L_4$  i  $L_2 + L_6$  i  $L_7 \leq 200$  m (1,25 mm<sup>2</sup> lub więcej)
- Długość kabla pilota:  $m_1$  i  $m_1 + m_2 + m_3$  i  $m_1 + m_2 + m_3 + m_4 \leq 200$  m (od 0,3 do 1,25 mm<sup>2</sup>)

Fig. 6-3

<Przykładowe okablowanie kabli sygnałowych: System mieszany>



- (A) : Przewód ekranowany
- ( ) : Przykładowy adres
- A-IC : Jednostka wewnętrzna z serii M, S, P
- M-IC : Jednostka wewnętrzna z serii CITY MULTI

<Dopuszczalna długość>

- Największa długość przez jednostki zewnętrzne:  $L_1 + L_2 + L_3 + L_4 + L_5 + L_6 + L_7 \leq 500$  m (1640 stóp) (1,25 mm<sup>2</sup> lub więcej)
- Największa długość kabla sygnałowego:  $L_1 + L_2 + L_3 + L_4, L_5 + L_6, L_7 \leq 200$  m (656 stóp) (1,25 mm<sup>2</sup> lub więcej)

Fig. 6-5

Uwaga:

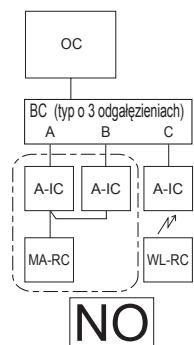
Jednostek z zasobnikiem lub jednostek hydrobox nie można grupować z innymi jednostkami niż z jednostkami z zasobnikiem lub jednostkami hydrobox.

Ponadto, po podłączeniu jednostki z zasobnikiem lub jednostki hydrobox, nie może pracować jednocześnie wiele jednostek zewnętrznych.

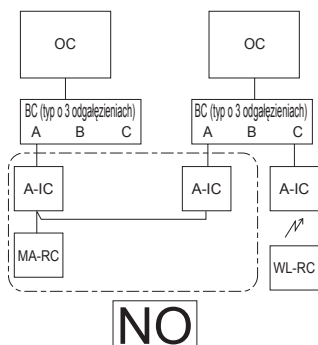
## 6. Instalacja elektryczna

<Systemy nieprawidłowe>

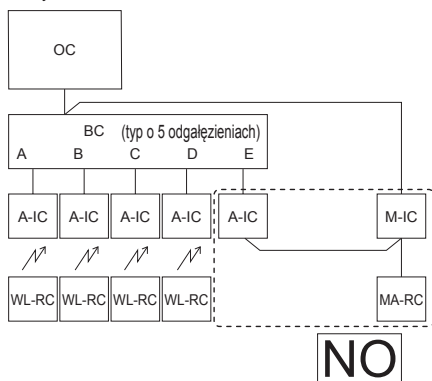
1. Obsługa grupy za pomocą jednego pilota zdalnego sterowania



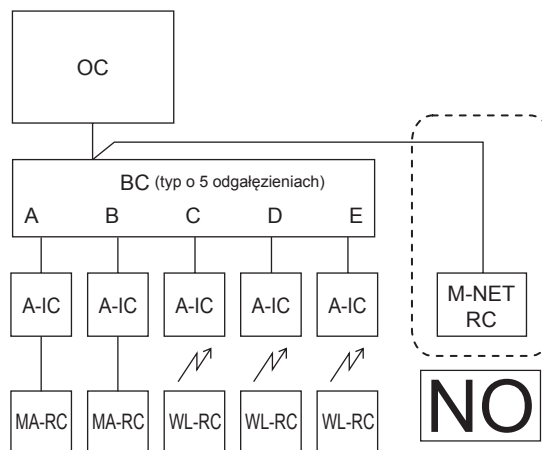
2. Obsługa grupy między różnymi układami czynnika chłodniczego



4. Obsługa grupy między systemem sterowania A i systemem sterowania M-NET.



3. Podłączenie pilota zdalnego sterowania M-NET



1. Nie można obsługiwać wielu jednostek wewnętrznych za pomocą jednego pilota zdalnego sterowania.
2. Nie można łączyć różnych układów czynnika chłodniczego.
3. Nie można podłączyć pilota zdalnego sterowania M-NET.
4. Nie można łączyć różnych typów systemów sterowania (A-IC/M-IC).

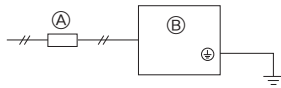
## 6. Instalacja elektryczna

### 6.4. Okablowanie głównego zasilania i wydajność urządzeń

Schemat okablowania: bez skrzynki rozdzielczej (przykład) (Fig. 6-6)

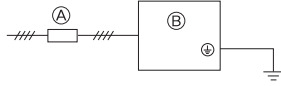
#### ■ PUMY-P-VKM4

~N 220-230-240 V 50 Hz  
~N 220-230 V 60 Hz



#### ■ PUMY-P-YKM(E)4

• YKM4  
3N~380-400-415 V 50 Hz  
3N~380 V 60 Hz  
• YKME4  
3N~380-400-415 V 50 Hz



~N 220-230-240 V 50 Hz  
~N 220-230 V 60 Hz

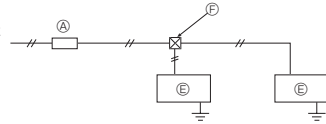


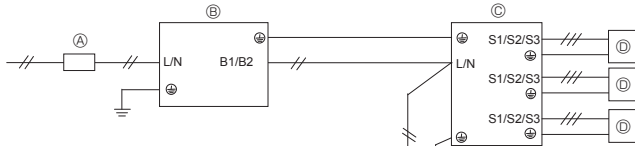
Fig. 6-6

Schemat okablowania: ze skrzynką rozdzielczą (przykład) (Fig. 6-7)

<Zasilanie dostarczane z jednostki zewnętrznej>

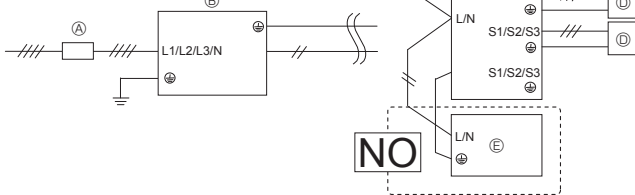
#### ■ PUMY-P-VKM4

~N 220-230-240 V 50 Hz  
~N 220-230 V 60 Hz

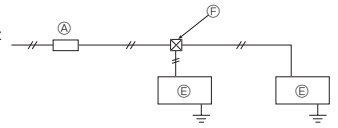


#### ■ PUMY-P-YKM(E)4

• YKM4  
3N~380-400-415 V 50 Hz  
3N~380 V 60 Hz  
• YKME4  
3N~380-400-415 V 50 Hz



~N 220-230-240 V 50 Hz  
~N 220-230 V 60 Hz



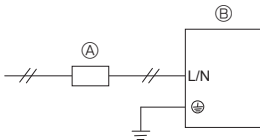
- Ⓐ Przelicznik (rozłącznik i wyłącznik różnicowoprądowy)
- Ⓑ Jednostka zewnętrzna
- Ⓒ Skrzynka rozdzielcza
- Ⓓ Sterowanie A jednostki wewnętrznej (jednostka wewnętrzna z serii M, S, P)
- Ⓔ Sterowanie M-NET jednostki wewnętrznej (jednostka wewnętrzna City Multi)
- Ⓕ Puszka przelotowa

\* Sterowanie M-NET jednostki wewnętrznej nie może być zasilane przez jednostkę zewnętrzną, w związku z czym należy zapewnić oddzielne zasilanie.

<Zasilanie dostarczane oddzielnie>

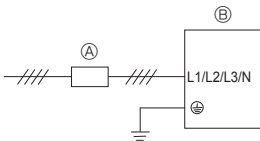
#### ■ PUMY-P-VKM4

~N 220-230-240 V 50 Hz  
~N 220-230 V 60 Hz

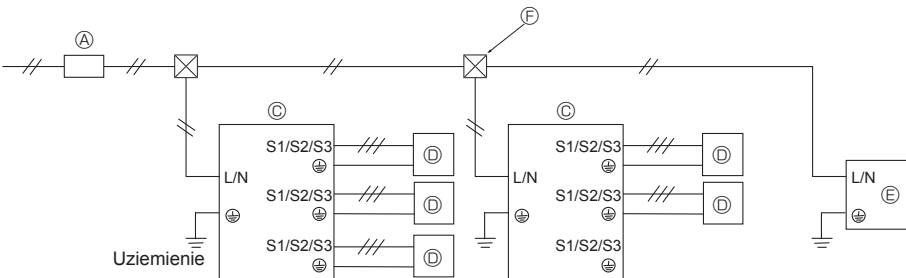


#### ■ PUMY-P-YKM(E)4

• YKM4  
3N~380-400-415 V 50 Hz  
3N~380 V 60 Hz  
• YKME4  
3N~380-400-415 V 50 Hz



~N 220-230-240 V 50 Hz  
~N 220-230 V 60 Hz



Uwaga: SKRZYŃKA reaktora (części opcjonalne)

Kiedy produkt jest używany do innych celów niż profesjonalnych, może być wymagana SKRZYŃKA reaktora.

	Metoda zasilania skrzynki rozdzielczej	
Jednostka zewnętrzna	Zasilanie z jednostki zewnętrznej	Oddzielne zasilanie
Zasilanie 1-fazowe	Wymagane	Niewymagane
Zasilanie 3-fazowe	Niewymagane	Niewymagane

Fig. 6-7



## 6. Instalacja elektryczna

### Pole przekroju poprzecznego przewodu głównego zasilania i możliwości włączania/wyłączania

<Zasilanie dostarczane oddzielnie>

Model		Zasilanie	Minimalne pole przekroju poprzecznego przewodu (mm <sup>2</sup> )			Rozłącznik *1	Wyłącznik różnicowoprądowy
			Kabel główny	Odgąlenie	Uziemienie		
Jednostka zewnętrzna	P112-140VKM4	~N 220-230-240 V 50 Hz ~N 220-230 V 60 Hz	6	–	6	32 A	32 A 30 mA 0,1 s lub mniej
	P112-140YKM4	3N~380-400-415 V 50 Hz 3N~380 V 60 Hz	1,5	–	1,5	16 A	16 A 30 mA 0,1 s lub mniej
	P112-140YKME4	3N~380-400-415 V 50 Hz					

<Zasilanie dostarczane z jednostki zewnętrznej>

Model		Zasilanie	Minimalne pole przekroju poprzecznego przewodu (mm <sup>2</sup> )			Rozłącznik *1	Wyłącznik różnicowoprądowy
			Kabel główny	Odgąlenie	Uziemienie		
Jednostka zewnętrzna	P112-140VKM4	~N 220-230-240 V 50 Hz ~N 220-230 V 60 Hz	6	–	6	40 A	40 A 30 mA 0,1 s lub mniej
	P112-140YKM4	3N~380-400-415 V 50 Hz 3N~380 V 60 Hz	2,5	–	2,5	20 A	20 A 30 mA 0,1 s lub mniej
	P112-140YKME4	3N~380-400-415 V 50 Hz					

\*1 Należy dostarczyć wyłącznik z przerwą między stykami wynoszącą minimum 3,0 mm. Należy zastosować rozłącznik bez bezpiecznika (NF) lub wyłącznik różnicowoprądowy (NV).

<Jednostki wewnętrzne>

Całkowity prąd roboczy jednostki wewnętrznej	Minimalna grubość przewodu (mm <sup>2</sup> )			Wyłącznik ziemnozwarciowy *1	Przełącznik lokalny (A)		Wyłącznik okablowania (NFB)
	Kabel główny	Odgąlenie	Uziemienie		Moc	Bezpiecznik	
F0 = 16 A lub mniej *2	1,5	1,5	1,5	Czułość prądowa 20 A *3	16	16	20
F0 = 25 A lub mniej *2	2,5	2,5	2,5	Czułość prądowa 30 A *3	25	25	30
F0 = 32 A lub mniej *2	4,0	4,0	4,0	Czułość prądowa 40 A *3	32	32	40

Maks. dopuszczalna impedancja systemu powinna być zgodna z normą IEC61000-3-3.

\*1 Wyłącznik ziemnozwarciowy powinien obsługiwać obwód falownika.

Wyłącznik ziemnozwarciowy powinien łączyć funkcję wyłącznika lokalnego lub rozłącznika.

\*2 Jako wartość F0 należy użyć większej z wartości F1 lub F2.

F1 = Całkowity maksymalny prąd roboczy jednostek wewnętrznych × 1,2

F2 =  $\sqrt{V1 \times (\text{ilość typu 1})/C} + \sqrt{V1 \times (\text{ilość typu 2})/C} + \sqrt{V1 \times (\text{ilość typu 3})/C} + \dots + \sqrt{V1 \times (\text{ilość typu 14})/C}$

Podłączyć do skrzynki rozdzielczej (PAC-MK-BC(B))

Jednostka wewnętrzna		V1	V2
Typ 1	PEAD-RP-JA(L)Q, PEAD-M-JA(L), PEY-(S)P-JA	26,9	2,4
Typ 2	SEZ-KD-VAQ(L), SEZ-M-DA(L), PCA-RP-KAQ, PCA-M-KA, PLA-ZRP-BA, PLA-RP-EA, SLZ-KF-VA2, SLZ-M-FA, PLY-(S)P-BA, SEZ-KH-VALT, PCY-(S)P-KA	19,8	
Typ 3	MLZ-KA-VA, SLZ-KA-VAQ(L)3	9,9	
Typ 4	MFZ-KJ-VE2, MSXY-FJ-VE, MSZ-LN-VG, MSZ-AP-VG, MLZ-KP-VF	7,4	
Typ 5	MSZ-FH-VE, MSZ-SF-VE, MSZ-EF-VE, MSZ-SF-VA, MSZ-GF-VE, MSZ-GE-VA, MSZ-EF-VA, MSY-GE-VA, MSY-EF-VA, MSZ-FH-VA, MSY-GH-VA, MSZ-FK-VA, MSZ-GC-NA	6,8	
Typ 6	Skrzynka rozdzielcza (PAC-MK-BC(B))	5,1	
Typ 7	Ecodan typu C		5,0 *5

\*5 Ta wartość może wzrosnąć z powodu lokalnie podłączonego siłownika.

Podłączyć do zestawu połączeniowego (PAC-LV11M-J)

Jednostka wewnętrzna		V1	V2
Typ 8	MFZ-KJ-VE2	7,4	2,4
Typ 9	MSZ-GE-VA, MSZ-SF-VA, MSZ-SF-VE, MSZ-EF-VE, MSZ-FH-VE, MSY-GE-VA, MSY-GH-VA	6,8	
Typ 10	Zestaw połączeniowy (PAC-LV11M-J)	3,5	

Jednostka wewnętrzna		V1	V2
Typ 11	PEFY-VMA(L)-E, PEFY-VMA3-E	38,0	1,6
Typ 12	PMFY-VBM-E, PLFY-VEM-E, PLFY-VFM-E1, PEFY-VMS1(L)-E, PCFY-VKM-E, PKFY-VHM-E, PKFY-VKM-E, PFFY-VKM-E2, PFFY-VLRMM-E, PLFY-EP-VEM-E, PMFY-P-VFM-D	19,8	2,4
Typ 13	PKFY-VBM-E	3,5	2,4
Typ 14	PLFY-VLMD-E, PEFY-VMR-E-L/R, PDFY-VM-E, PEFY-VMH-E, PFFY-VLEM-E, PFFY-VLRM-E, PWFY-VM-E1(2)-AU, PEFY-P-VMH-E-F, GUF-RD(H)4	0,0	0,0

C : Wielokrotność prądu wyzwania w czasie wyzwania 0,01 s

Wartość "C" należy wziąć z charakterystyki wyzwania wyłącznika.

## 6. Instalacja elektryczna

<Przykładowe obliczenie "F2">

Warunek PEFY-VMS × 4 + PEFY-VMA × 1, C = 8 (patrz przykładowy wykres po prawej)

$$F2 = 19,8 \times 4/8 + 38 \times 1/8$$

$$= 14,65$$

→ Wyłącznik 16 A (prąd wyzwania = 8 × 16 A przy 0,01 s)

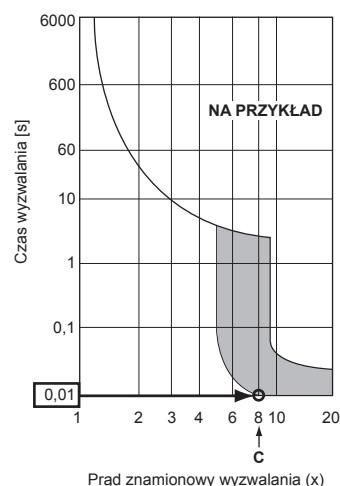
\*3 Czułość prądową oblicza się za pomocą następującego wzoru.

$$G1 = V2 \times (\text{ilość typu 1}) + V2 \times (\text{ilość typu 2}) + V2 \times (\text{ilość typu 3}) + \dots + V2 \times (\text{ilość typu 14}) + V3 \times (\text{długość przewodu [km]})$$

G1	Czułość prądowa
30 lub mniej	30 mA 0,1 s lub mniej
100 lub mniej	100 mA 0,1 s lub mniej

Grubość przewodu	V3
1,5 mm <sup>2</sup>	48
2,5 mm <sup>2</sup>	56
4,0 mm <sup>2</sup>	66

Przykładowy wykres



- Wykonując okablowanie i podłączenia, należy mieć na uwadze warunki otoczenia (temperaturę otoczenia, bezpośrednie działanie promieni słonecznych, deszcz itp.).
- Rozmiar przewodu to wartość minimalna dla okablowania w metalowych korytkach kablowych. Rozmiar przewodu zasilającego powinien być o 1 rząd grubszy, aby uwzględnić spadki napięcia. Należy dopilnować, aby napięcie zasilania nie spadało o więcej niż 10%.
- Należy stosować się do określonych wymogów instalacji okablowania, zgodnie z przepisami dotyczącymi instalacji elektrycznych w danym regionie.
- Kable zasilające części urządzeń do użytku na zewnątrz nie mogą być niższej jakości od przewodu elastycznego w powłoce polichloroprenowej (projekt 60245 IEC57). Na przykład należy użyć okablowania YZW.
- Zamocować przewód uziemienia o długości większej niż pozostałe przewody.

### ⚠ Ostrzeżenie:

- Do wykonania połączeń należy stosować określone przewody, aby żadna siła zewnętrzna nie była przenoszona na zaciski. Jeśli połączenia nie zostaną solidnie zamocowane, mogą się nagrzewać lub doprowadzić do pożaru.
- Należy użyć wyłącznika zabezpieczenia nadprądowego odpowiedniego typu. Generowane przetężenie może zawierać pewną ilość prądu stałego.
- Pokrywy listew zaciskowych / panel jednostki zewnętrznej należy mocno zamocować. Jeśli nie zostaną odpowiednio zamocowane, może to spowodować pożar lub porażenie prądem z powodu dostającego się tam pyłu, wody itp.

### ⚠ Przewaga:

- Uważać, aby nie pomylić przewodów.
- Mocno dokręcić śruby zaciskowe, zapobiegając ich poluzowaniu.
- Po dokręceniu lekko pociągnąć za przewody, sprawdzając, czy się nie ruszają.
- Jeśli przewód połączeniowy zostanie nieprawidłowo podłączony do listwy zaciskowej, urządzenie nie będzie działać prawidłowo.
- W niektórych miejscach instalacji może być wymagany wyłącznik różnicowoprądowy. Jeśli wyłącznik różnicowoprądowy nie zostanie zainstalowany, może dojść do porażenia prądem elektrycznym.
- Należy zastosować tylko wyłącznik i bezpiecznik o odpowiedniej mocy. Użycie bezpiecznika i przewodu lub przewodu miedzianego o zbyt dużej pojemności może spowodować nieprawidłowe działanie urządzenia lub pożar.



### WAŻNE

Upewnić się, że wyłącznik różnicowoprądowy jest kompatybilny z wyższymi harmonicznymi.

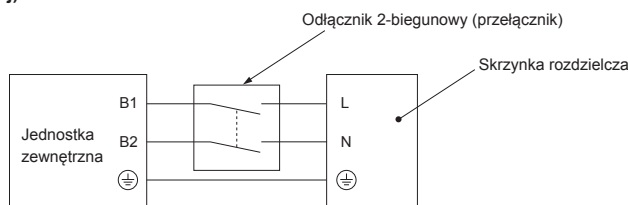
Należy stosować wyłącznie wyłączniki różnicowoprądowe kompatybilne z wyższymi harmonicznymi, ponieważ jednostka wyposażona jest w falownik.

Zastosowanie nieodpowiedniego wyłącznika może spowodować nieodpowiednie działanie falownika.

Nigdy nie łączyć ze sobą (przez splatanie) przewodu zasilającego ani przewodu łączącego jednostkę zewnętrzną z wewnętrzną i ze skrzynką rozdzielczą, ponieważ może to spowodować powstanie dymu, ognia lub błędów w komunikacji.

### ⚠ Ostrzeżenie:

- Na czas serwisowania należy odłączyć główne zasilanie. Nie należy dotykać zacisków B1, B2, kiedy zasilanie znajduje się pod napięciem. Jeśli między jednostką zewnętrzną i skrzynką rozdzielczą / jednostką wewnętrzną i skrzynką rozdzielczą konieczne jest zastosowanie odłącznika, należy zastosować odłącznik 2-biegunowy. (Patrz rysunek poniżej).



### ⚠ Przewaga:

Po zastosowaniu odłącznika należy wyłączyć i ponownie włączyć zasilanie główne, aby zresetować system. W przeciwnym razie jednostka zewnętrzna może nie być w stanie wykryć skrzynek rozdzielczych lub jednostek wewnętrznych.

Kable połączeniowe między jednostką zewnętrzną i skrzynką rozdzielczą / jednostką wewnętrzną i skrzynką rozdzielczą należy łączyć bezpośrednio z tymi jednostkami (bez połączeń pośrednich).

Połączenia pośrednie mogą prowadzić do błędów w komunikacji w przypadku przedostania się wody do kabli i pogorszenia stanu izolacji lub nieprawidłowego styku elektrycznego w punkcie połączenia pośredniego.

(W przypadku konieczności wykonania połączenia pośredniego należy zastosować środki przeciwdziałające przedostaniu się wody do kabli).

## 6. Instalacja elektryczna

### 6.5. Ustawienie adresu

Zmiana ustawienia adresu

	Jednostka zewnętrzna	Skrzynka rozdzielcza				Jedn. wew. z serii M, S, P	Seria CITY MULTI																																																	
		Adres		Ustawienie połączenia																																																				
Przełącznik	 dziesiątki    jednostki SWU2   SWU1	 dziesiątki    jednostki SW12   SW11	<table border="1"> <tr><td>A</td><td>B</td><td>C</td><td>D</td><td>E</td><td>-</td></tr> <tr><td>1</td><td>2</td><td>3</td><td>4</td><td>5</td><td>6</td></tr> </table> SW1		A	B	C	D	E	-	1	2	3	4	5	6	Wł.: Podł. jedn. wew. Wył.: Brak połączenia (SW1-6 nie jest używany)	Brak	 dziesiątki    jednostki SW12   SW11																																					
A	B	C	D	E	-																																																			
1	2	3	4	5	6																																																			
Zakres	51 - 100	1 - 50		-		-	1 - 50																																																	
Ustawienie	Adres ster. jedn. wew. M lub skrzynki rozd. +50	<ul style="list-style-type: none"> <li>Zgodnie z ustawionym adresem (na przykład 01) adresy podłączonych jednostek wewnętrznych są ustawiane kolejno (na przykład 02, 03, 04 i 05).</li> </ul> <table border="1"> <tr><td>SW1</td><td>1</td><td>2</td><td>3</td><td>4</td><td>5</td><td></td></tr> <tr><td></td><td>Wł.</td><td>Wł.</td><td>Wł.</td><td>Wł.</td><td>Wł.</td><td></td></tr> <tr><td>Port</td><td>A</td><td>B</td><td>C</td><td>D</td><td>E</td><td></td></tr> <tr><td>Adres</td><td>01</td><td></td><td></td><td></td><td></td><td>(SW11, 12)</td></tr> <tr><td></td><td></td><td>02</td><td>03</td><td>04</td><td>05</td><td>(kolejne numery)</td></tr> </table>		SW1	1	2	3	4	5			Wł.	Wł.	Wł.	Wł.	Wł.		Port	A	B	C	D	E		Adres	01					(SW11, 12)			02	03	04	05	(kolejne numery)	<ul style="list-style-type: none"> <li>Określić, czy jednostki wewnętrzne są podłączone do poszczególnych portów (A, B, C, D i E).</li> </ul> <table border="1"> <tr><td>SW1</td><td>1</td><td>2</td><td>3</td><td>4</td><td>5</td><td>(6)</td></tr> <tr><td>Port</td><td>A</td><td>B</td><td>C</td><td>D</td><td>E</td><td>Nie używany</td></tr> </table> Jednostki wewnętrzne są podłączone – Wł. Jednostki wewnętrzne nie są podłączone – Wył.		SW1	1	2	3	4	5	(6)	Port	A	B	C	D	E	Nie używany	Nie ma ustawień adresów dla jednostek wewnętrznych.	-
SW1	1	2	3	4	5																																																			
	Wł.	Wł.	Wł.	Wł.	Wł.																																																			
Port	A	B	C	D	E																																																			
Adres	01					(SW11, 12)																																																		
		02	03	04	05	(kolejne numery)																																																		
SW1	1	2	3	4	5	(6)																																																		
Port	A	B	C	D	E	Nie używany																																																		

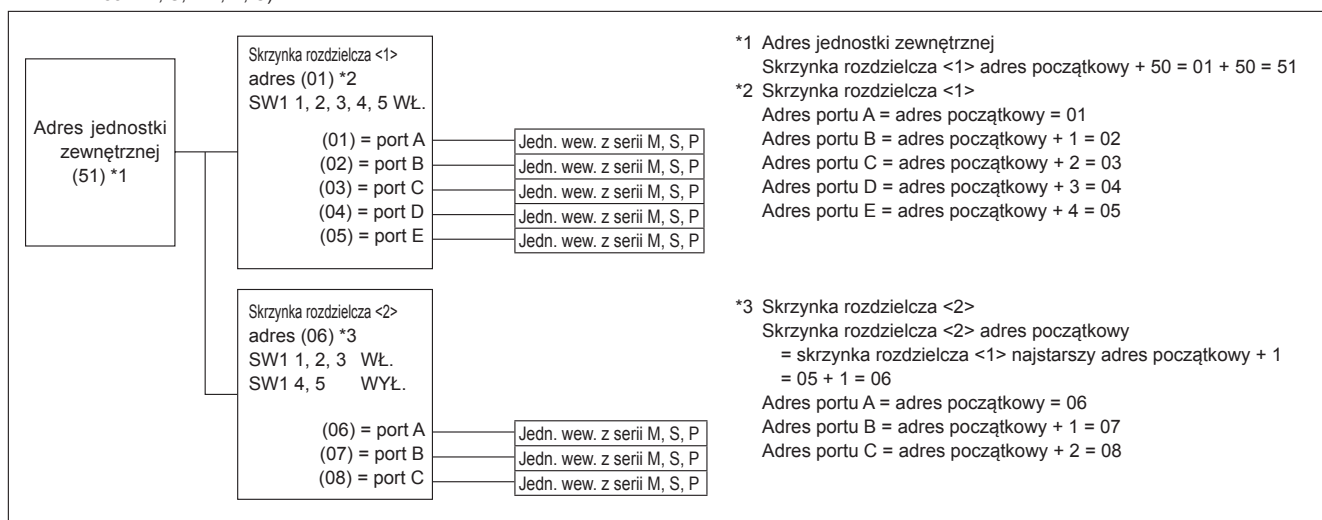
#### Uwaga: 1. Adres skrzynki rozdzielczej

Ustawiając adres, należy użyć numeru z zakresu 1–50.

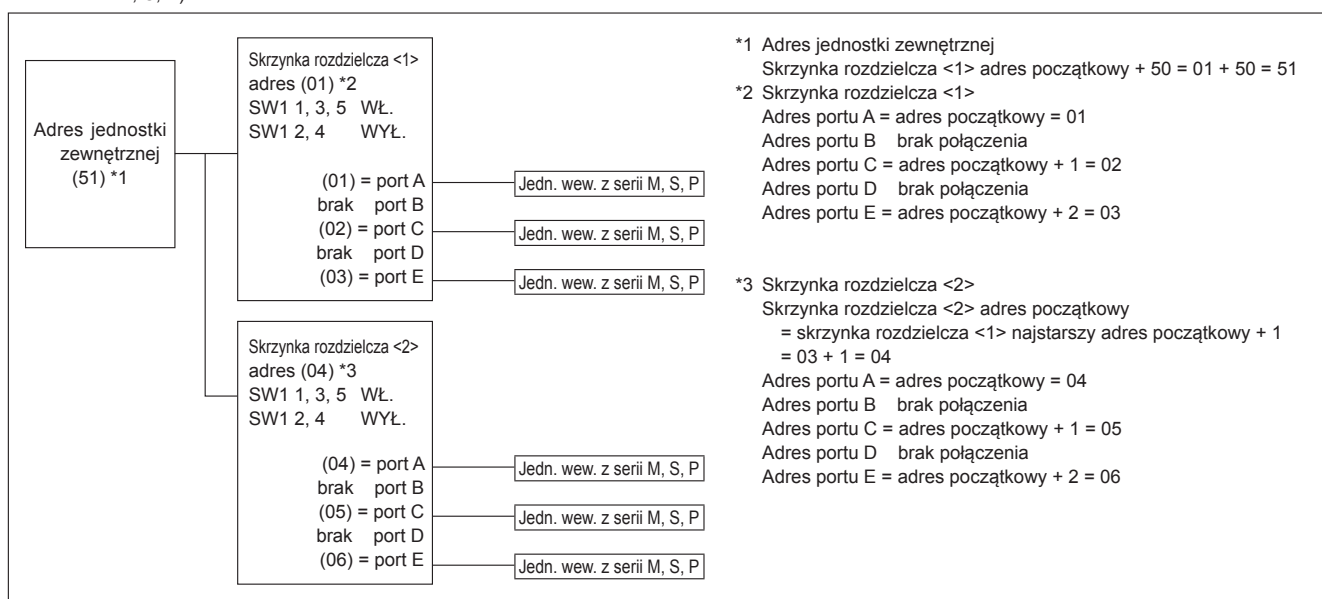
Przykład. Ustawiony adres to (47) i jest 5 jednostek wewnętrznych (A, B, C, D i E).

Jeśli A: (47), B: (48), C: (49), D: (50) i E: (51), adres E jest nieprawidłowy, ponieważ wykracza poza 50.

Przykład 1. Jednostka zewnętrzna + skrzynka rozdzielcza <1> (jednostka wewnętrzna z serii M, S, P A, B, C, D, E) + skrzynka rozdzielcza <2> (jednostka wewnętrzna z serii M, S, P A, B, C)

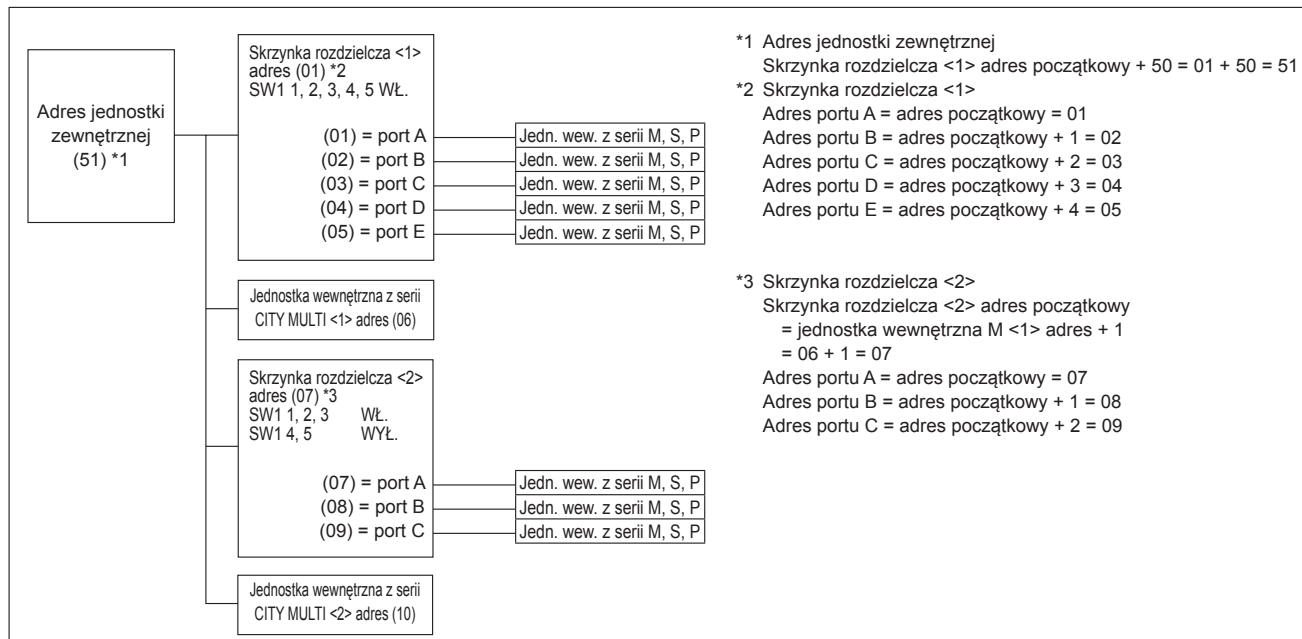


Przykład 2. Jednostka zewnętrzna + skrzynka rozdzielcza <1> (jednostka wewnętrzna z serii M, S, P A, C, E) + skrzynka rozdzielcza <2> (jednostka wewnętrzna z serii M, S, P A, C, E)



## 6. Instalacja elektryczna

Przykład 3. Jednostka zewnętrzna + skrzynka rozdzielcza <1> (jednostka wewnętrzna z serii M, S, P A, B, C, D, E) + skrzynka rozdzielcza <2> (jednostka wewnętrzna z serii M, S, P A, B, C) + Jedn. wew. z serii CITY MULTI <1> + Jedn. wew. z serii CITY MULTI <2>



## 7. Praca próbna

### 7.1. Przed rozpoczęciem pracy próbnej

- ▶ Po zakończeniu montażu oraz podłączeniu kabli i rur do jednostki wewnętrznej i zewnętrznej należy sprawdzić, czy nie ma nieszczelności w obiegu czynnika chłodniczego, czy wszystkie przewody zasilające i sterownicze są prawidłowo podłączone, czy mają właściwą biegunowość i czy wszystkie fazy są właściwie połączone.
- ▶ Używając megaomomierza 500 V, należy sprawdzić, czy opór między zaciskami do przewodów zasilających a uziemieniem wynosi co najmniej 1 MΩ.
- ▶ Nie przeprowadzać tego testu dla zacisków przewodów sterowniczych (obwód niskiego napięcia).

#### ⚠ Ostrzeżenie:

Nie używać klimatyzatora, jeśli opór izolacji jest mniejszy niż 1 MΩ.

#### Oporność izolacji

Po montażu lub kiedy źródło zasilania, do którego jest podłączone urządzenie, zostanie wyłączone na dłuższy czas, opór izolacji spadnie poniżej 1 MΩ z powodu nagromadzenia się czynnika chłodniczego w sprężarce. Nie jest to usterka. W takim przypadku należy postępować zgodnie z poniższą procedurą:

1. Odłączyć przewody od sprężarki i zmierzyć opór izolacji na sprężarce.
2. Jeśli wartość oporu izolacji jest mniejsza niż 1 MΩ, sprężarka uległa uszkodzeniu lub nagromadzony w niej czynnik chłodniczy spowodował spadek tego oporu.

3. Po podłączeniu przewodów i podaniu zasilania sprężarka zacznie się rozgrzewać. Po upływie czasu podanego poniżej należy ponownie zmierzyć opór izolacji.
  - Opór izolacji maleje z powodu nagromadzenia czynnika chłodniczego w sprężarce. Po rozgrzewaniu sprężarki przez maks. 12 godzin opór wzrośnie do ponad 1 MΩ.  
(Czas konieczny do rozgrzania sprężarki zależy od warunków atmosferycznych i nagromadzonego czynnika chłodniczego).
  - W przypadku nagromadzenia czynnika chłodniczego w sprężarce należy ją rozgrzewać przed uruchomieniem przez min. 12 godzin, aby zapobiec awarii.
4. Jeśli opór izolacji przekroczy 1 MΩ, sprężarka nie jest uszkodzona.

#### ⚠ Przewaga:

- W przypadku nieprawidłowego podłączenia faz sprężarka nie będzie działać.
- Włączyć zasilanie na min. 12 godzin przed rozpoczęciem pracy.
  - Uruchomienie urządzenia natychmiast po włączeniu głównego zasilania może spowodować poważne uszkodzenie części wewnętrznych. W okresie eksploatacji urządzenia nie wolno wyłączać zasilania.

#### ▶ Należy także sprawdzić poniższe elementy.

- Jednostka zewnętrzna nie jest uszkodzona. Uszkodzenie jednostki zewnętrznej jest sygnalizowane miganiem diody LED na jej pulpicie sterowniczym.
- Zawory odcinające gazowy i cieczowy są całkowicie otwarte.

## 7.2. Praca próbna

### 7.2.1. Używanie zdalnego sterownika

Patrz instrukcja instalacji jednostki wewnętrznej.

- Należy przeprowadzić pracę próbną każdej jednostki wewnętrznej. Upewnić się, że każda jednostka wewnętrzna działa prawidłowo, zgodnie z dostarczoną instrukcją montażu.
- Przeprowadzając pracę próbną wszystkich jednostek wewnętrznych jednocześnie, nie będzie można wykryć żadnego błędnego połączenia rur czynnika chłodniczego i przewodów połączeniowych, jeśli jakieś występuje.
- \* Sprężarka nie będzie działać przez co najmniej 3 minuty po włączeniu zasilania.
- Bezpośrednio po włączeniu zasilania lub w przypadku niskiej temperatury powietrza na zewnątrz sprężarka może generować hałas.
- W zależności od warunków pracy, wentylator jednostki zewnętrznej może się zatrzymać, kiedy działa sprężarka, ale nie oznacza to awarii.

#### Informacje o mechanizmie zabezpieczającym ponowne uruchomienie

Po wyłączeniu sprężarki włącza się urządzenie uniemożliwiające ponowne uruchomienie, w związku z czym sprężarka nie będzie działać przez 3 minuty w celu zabezpieczenia klimatyzatora.

## 7.3. Usuwanie czynnika chłodniczego (odpompowanie)

W przypadku przenoszenia jednostki wewnętrznej lub jednostki zewnętrznej należy usunąć czynnik chłodniczy, wykonując poniższe czynności.

- ① Wyłączyć wyłącznik automatyczny.
- ② Podłączyć stronę niskiego ciśnienia zaworu pomiarowego do portu serwisowego zaworu odcinającego po stronie gazowej.
- ③ Zamknąć zawór odcinający cieczy.
- ④ Podać zasilanie (wyłącznik automatyczny).
  - \* Uruchomienie komunikacji między jednostkami wewnętrzną i zewnętrzną zajmuje około 3 minut po włączeniu zasilania (wyłącznik automatyczny). Rozpocząć odpompowanie 3–4 minuty po włączeniu zasilania (wyłącznik automatyczny).
- ⑤ Sprawdzić, czy przełącznik SW3-2 jest w pozycji WYŁ., a następnie ustawić przełącznik SW3-1 w pozycji WŁ., aby przeprowadzić pracę próbną w trybie chłodzenia. Sprężarka (jednostka wewnętrzna) i wentylatory (jednostki wewnętrzna i zewnętrzna) uruchomią się i rozpocznie się praca próbna w trybie chłodzenia. Bezpośrednio po przeprowadzeniu pracy próbnej w trybie chłodzenia, należy przestawić przełącznik serwisowy jednostki zewnętrznej SW2-4 (przełącznik odpompowania) z pozycji WYŁ. w pozycję WŁ.
  - \* Nie kontynuować pracy przez długi czas z przełącznikiem SW2-4 w pozycji WŁ. Po odpompowaniu należy przestawić przełącznik w pozycję WYŁ.

- ⑥ Całkowicie zamknąć zawór odcinający gazu, kiedy wskazanie ciśnienia na manometrze spadnie do 0,05–0,00 MPa (mniej więcej do 0,5–0,0 kgf/cm<sup>2</sup>)
- ⑦ Wyłączyć klimatyzator (SW3-1: WYŁ.). Przeszawić przełącznik serwisowy jednostki zewnętrznej SW2-4 z pozycji WŁ. w pozycję WYŁ.
- ⑧ Wyłączyć zasilanie (wyłącznik automatyczny).

\* Jeśli do układu klimatyzatora dodano zbyt dużo czynnika chłodniczego, ciśnienie może nie spaść do 0,05 MPa (0,5 kgf/cm<sup>2</sup>). W takim przypadku należy użyć urządzenia do usuwania czynnika chłodniczego w celu odpompowania całego czynnika chłodniczego z układu, a następnie uzupełnić układ prawidłową ilością czynnika chłodniczego po przeniesieniu jednostek wewnętrznej i zewnętrznej.

#### ⚠ Ostrzeżenie:

Podczas odpompowania czynnika chłodniczego przed odłączeniem rur czynnika chłodniczego należy wyłączyć sprężarkę. Dostanie się do układu jakiegokolwiek obcej substancji, na przykład powietrza, może doprowadzić do rozrwania sprężarki i spowodować obrażenia.





EC DECLARATION OF CONFORMITY  
EG-KONFORMITÄTSEKHLÄRUNG  
DÉCLARATION DE CONFORMITÉ CE  
EG-CONFORMITEITSVERKLARING

DECLARACIÓN DE CONFORMIDAD CE  
DICHIARAZIONE DI CONFORMITÀ CE  
ΔΗΛΩΣΗ ΠΙΣΤΟΤΗΤΑΣ ΕΚ  
DECLARAÇÃO DE CONFORMIDADE CE

EU-OVERENSSTEMMELSESEKHLÆRING  
EG-DEKLARATION OM ÖVERENSSTÄMMELSE  
EC UYGUNLUK BEYANI

ДЕКЛАРАЦИЯ СООТВЕТСТВИЯ НОРМАМ ЕС  
CE-ERKLÆRING OM SAMSVAR  
DEKLARACJA ZGODNOŚCI WE

**MITSUBISHI ELECTRIC CORPORATION**  
**TOKYO BUILDING, 2-7-3, MARUNOUCHI, CHIYODA-KU, TOKYO 100-8310, JAPAN**

hereby declares under its sole responsibility that the air conditioners and heat pumps described below for use in residential, commercial and light-industrial environments:  
erklårt hiermit auf seine alleinige Verantwortung, dass die Klimaanlage und Wärmepumpen für das häusliche, kommerzielle und leicht-industrielle Umfeld wie unten beschrieben:  
déclare par la présente et sous sa propre responsabilité que les climatiseurs et les pompes à chaleur décrits ci-dessous, destinés à un usage dans des environnements résidentiels, commerciaux et d'industrie légère :  
verklaart hierbij onder eigen verantwoordelijkheid dat de voor residentiële, commerciële en licht-industriële omgevingen bestemde airconditioners en warmtepompen zoals onderstaand beschreven:  
por la presente declara bajo su única responsabilidad que los acondicionadores de aire y bombas de calor descritas a continuación para su uso en entornos residenciales, comerciales y de industria ligera:  
conferma con la presente, sotto la sua esclusiva responsabilità, che i condizionatori d'aria e le pompe di calore descritti di seguito e destinati all'utilizzo in ambienti residenziali, commerciali e semi-industriali:  
με το παρόν πιστοποιεί με αποκλειστική της ευθύνη ότι οι τα κλιματιστικά και οι αντλίες θέρμανσης που περιγράφονται παρακάτω για χρήση σε οικιακό, επαγγελματικό και ελαφριάς βιομηχανίας περιβάλλοντα:  
através da presente declara sob sua única responsabilidade que os aparelhos de ar condicionado e bombas de calor abaixo descritos para uso residencial, comercial e de indústria ligeira:  
erklærer hermed under eneansvar, at de herunder beskrevne airconditionanlæg og varmepumper til brug i privat boligbyggeri, erhvervsområder og inden for let industri:  
intyggar härmed att luftkonditioneringarna och värmepumparna som beskrivs nedan för användning i bostäder, kommersiella miljöer och lätta industriella miljöer:  
ev. ticaret ve hafif sanayi ortamlarında kullanım amaçlı üretilen ve aşağıda açıklanan klima ve ısıtma pompalarıyla ilgili aşağıdaki hususları yalnızca kendi sorumluluğunda beyan eder:  
настоящим заявляет и берет на себя исключительную ответственность за то, что кондиционеры и тепловые насосы, описанные ниже и предназначенные для эксплуатации в жилых помещениях, торговых залах и на предприятиях легкой промышленности:  
erklærer et fullstendig ansvar for undernevnte klimaanlegg og varmepumper ved bruk i boliger, samt kommersielle og lettindustrielle miljøer:  
niniejszym oświadczam na swoją wyłączną odpowiedzialność, że klimatyzatory i pompy ciepła opisane poniżej, są przeznaczone do zastosowań w środowisku mieszkalnym, handlowym i lekko przemysłowym:

**MITSUBISHI ELECTRIC, PUMY-P112VKM4**  
**PUMY-P125VKM4**  
**PUMY-P140VKM4**

Note: Its serial number is on the nameplate of the product.  
Hinweis: Die Seriennummer befindet sich auf dem Kennschild des Produkts.  
Remarque : Le numéro de série de l'appareil se trouve sur la plaque du produit.  
Opmerking: het serienummer staat op het naamplaatje van het product.  
Nota: El número de serie se encuentra en la placa que contiene el nombre del producto.  
Nota: il numero di serie si trova sulla targhetta del prodotto.  
Σημείωση: Ο σειριακός του αριθμός βρίσκεται στην πινακίδα ονόματος του προϊόντος.

Nota: o número de série encontra-se na placa que contém o nome do produto.  
Bemærk: Serienummeret står på produktets fabriksskilt.  
Obs: Serienumret finns på produktens namnplåt.  
Not: Seri numarasi ürünün isim plakasında yer alır.  
Примечание: серийный номер указан на паспортное табличке изделия.  
Merk: Serienummeret befinner seg på navneplaten til produktet.  
Uwaga: Numer seryjny znajduje się na tabliczce znamionowej produktu.

Directives  
Richtlijnen  
Directives  
Richtlijnen  
Directivas  
Direttive  
Οδηγίες  
Directivas  
Direktiver  
Direktiv  
Direktifler  
Директивы  
Direktiver  
Dyrektywy

2014/35/EU: Low Voltage  
2006/42/EC: Machinery  
2014/30/EU: Electromagnetic Compatibility  
2011/65/EU: RoHS Directive

Issued: 1 Oct. 2017  
JAPAN:

Katsuo Yabuta  
Senior Manager, Quality Assurance Department



EC DECLARATION OF CONFORMITY  
EG-KONFORMITÄTSEKTLÄRUNG  
DECLARATION DE CONFORMITÉ CE  
EG-CONFORMITEITSVERKLARING

DECLARACIÓN DE CONFORMIDAD CE  
DICHIARAZIONE DI CONFORMITÀ CE  
ΔΗΛΩΣΗ ΠΙΣΤΟΤΗΤΑΣ ΕΚ  
DECLARAÇÃO DE CONFORMIDADE CE

EU-ÖVERENSSTEMMELSEERKLÄRING  
EG-DEKLARATION OM ÖVERENSSTÄMMEELSE  
EC UYGUNLUK BEYANI

ДЕКЛАРАЦИЯ СООТВЕТСТВИЯ НОРМАМ ЕС  
CE-ERKLÆRING OM SAMSVAR  
DEKLARACJA ZGODNOŚCI WE

**mitsubishi electric corporation**  
**TOKYO BUILDING, 2-7-3, MARUNOUCHI, CHIYODA-KU, TOKYO 100-8310, JAPAN**

hereby declares under its sole responsibility that the air conditioners and heat pumps described below for use in residential, commercial and light-industrial environments:  
erklärt hiermit auf seine alleinige Verantwortung, dass die Klimaanlage und Wärmepumpen für das häusliche, kommerzielle und leicht-industrielle Umfeld wie unten beschrieben:  
déclare par la présente et sous sa propre responsabilité que les climatiseurs et les pompes à chaleur décrits ci-dessous, destinés à un usage dans des environnements résidentiels, commerciaux et d'industrie légère :  
verklaart hierbij onder eigen verantwoordelijkheid dat de voor residentiële, commerciële en licht-industriële omgevingen bestemde airconditioners en warmtepompen zoals onderstaand beschreven:  
por la presente declara bajo su única responsabilidad que los acondicionadores de aire y bombas de calor descritas a continuación para su uso en entornos residenciales, comerciales y de industria ligera:  
conferma con la presente, sotto la sua esclusiva responsabilità, che i condizionatori d'aria e le pompe di calore descritti di seguito e destinati all'utilizzo in ambienti residenziali, commerciali e semi-industriali:  
με το παρόν πιστοποιεί με αποκλειστική της ευθύνη ότι οι τα κλιματιστικά και οι αντλίες θέρμανσης που περιγράφονται παρακάτω για χρήση σε οικιακό, επαγγελματικό και ελαφριάς βιομηχανίας περιβάλλοντα:  
através da presente declara sob sua única responsabilidade que os aparelhos de ar condicionado e bombas de calor abaixo descritos para uso residencial, comercial e de indústria ligeira:  
erklærer hermed under eneansvar, at de herunder beskrevne airconditionanlæg og varmepumper til brug i privat boligbyggeri, erhvervsområder og inden for let industri:  
intygat härmed att luftkonditioneringarna och värmepumparna som beskrivs nedan för användning i bostäder, kommersiella miljöer och lätta industriella miljöer:  
ev, ticaret ve hafif sanayi ortamlarında kullanım amaçlı üretilen ve aşağıda açıklanan klima ve ısıtma pompalarıyla ilgili aşağıdaki hususları yalnızca kendi sorumluluğunda beyan eder:  
настоящим заявляет и берет на себя исключительную ответственность за то, что кондиционеры и тепловые насосы, описанные ниже и предназначенные для эксплуатации в жилых помещениях, торговых залах и на предприятиях легкой промышленности:  
erklærer et fullstendig ansvar for undernevnte klimaanlegg og varmepumper ved bruk i boliger, samt kommersielle og lettindustrielle miljøer:  
niniejszym oświadczam na swoją wyłączną odpowiedzialność, że klimatyzatory i pompy ciepła opisane poniżej, są przeznaczone do zastosowań w środowisku mieszkalnym, handlowym i lekko przemysłowym:

**MITSUBISHI ELECTRIC, PUMY-P112YKM4**  
**PUMY-P125YKM4**  
**PUMY-P140YKM4**

Note: Its serial number is on the nameplate of the product.  
Hinweis: Die Seriennummer befindet sich auf dem Kennschild des Produkts.  
Remarque : Le numéro de série de l'appareil se trouve sur la plaque du produit.  
Opmerking: het serienummer staat op het naamplaatje van het product.  
Nota: El número de serie se encuentra en la placa que contiene el nombre del producto.  
Nota: il numero di serie si trova sulla targhetta del prodotto.  
Σημείωση: Ο σειριακός του αριθμός βρίσκεται στην πινακίδα ονόματος του προϊόντος.

Nota: o número de série encontra-se na placa que contém o nome do produto.  
Bemærk: Serienummeret står på produktets fabriksskilt.  
Obs: Serienumret finns på produktens namnplåt.  
Not: Seri numarası ürünün isim plakasında yer alır.  
Примечание: серийный номер указан на паспортное табличке изделия.  
Merk: Serienummeret befinner seg på navneplaten til produktet.  
Uwaga: Numer seryjny znajduje się na tabliczce znamionowej produktu.

Directives  
Richtlijnen  
Directives  
Richtlijnen  
Directivas  
Direttive  
Οδηγίες

Directivas  
Direktiver  
Direktiv  
Direktifler  
Директивы  
Direktiver  
Dyrektywy

2014/35/EU: Low Voltage  
2006/42/EC: Machinery  
2014/30/EU: Electromagnetic Compatibility  
2011/65/EU: RoHS Directive

Issued: 1 Oct. 2017  
JAPAN:

Katsuo Yabuta  
Senior Manager, Quality Assurance Department

EG DECLARATION OF CONFORMITY  
EG-KONFORMITÄTSEKHLÄRUNG  
DÉCLARATION DE CONFORMITÉ CE  
EG-CONFORMITEITSVERKLARING

DECLARACIÓN DE CONFORMIDAD CE  
DICHIARAZIONE DI CONFORMITÀ CE  
ΔΗΛΩΣΗ ΠΙΣΤΟΤΗΤΑΣ ΕΚ  
DECLARAÇÃO DE CONFORMIDADE CE

EU-OVERENSSTEMMELSESEKHLÆRING  
EG-DEKLARATION OM ÖVERENSSTÄMMELSE  
EC UYGUNLUK BEYANI

ДЕКЛАРАЦИЯ СООТВЕТСТВИЯ НОРМАМ ЕС  
CE-EKHLÆRING OM SAMSVAR  
DEKLARACJA ZGODNOŚCI WE

**mitsubishi electric corporation**  
**TOKYO BUILDING, 2-7-3, MARUNOUCHI, CHIYODA-KU, TOKYO 100-8310, JAPAN**

hereby declares under its sole responsibility that the air conditioners and heat pumps described below for use in residential, commercial and light-industrial environments:  
erklårt hiermit auf seine alleinige Verantwortung, dass die Klimaanlage und Wärmepumpen für das häusliche, kommerzielle und leicht-industrielle Umfeld wie unten beschrieben:  
déclare par la présente et sous sa propre responsabilité que les climatiseurs et les pompes à chaleur décrits ci-dessous, destinés à un usage dans des environnements résidentiels, commerciaux et d'industrie légère :  
verklaart hierbij onder eigen verantwoordelijkheid dat de voor residentiële, commerciële en licht-industriële omgevingen bestemde airconditioners en warmtepompen zoals onderstaand beschreven:  
por la presente declara bajo su única responsabilidad que los acondicionadores de aire y bombas de calor descritas a continuación para su uso en entornos residenciales, comerciales y de industria ligera:  
intygat härmed att luftkonditioneringarna och värmepumparna som beskrivs nedan för användning i bostäder, kommersiella miljöer och lätta industriella miljöer:  
confirma con la presente, sotto la sua esclusiva responsabilità, che i condizionatori d'aria e le pompe di calore descritti di seguito e destinati all'utilizzo in ambienti residenziali, commerciali e semi-industriali:  
με το παρόν πιστοποιεί με αποκλειστική της ευθύνη ότι οι τα κλιματιστικά και οι αντλίες θέρμανσης που περιγράφονται παρακάτω για χρήση σε οικιακό, επαγγελματικό και ελαφριάς βιομηχανίας περιβάλλοντα:  
através da presente declara sob sua única responsabilidade que os aparelhos de ar condicionado e bombas de calor abaixo descritos para uso residencial, comercial e de indústria ligeira:  
erklærer hermed under eneansvar, at de herunder beskrevne airconditionanlæg og varmepumper til brug i privat boligbyggeri, erhvervsområder og inden for let industri:  
intygat härmed att luftkonditioneringarna och värmepumparna som beskrivs nedan för användning i bostäder, kommersiella miljöer och lätta industriella miljöer:  
ev, ticaret ve hafif sanayi ortamlarında kullanım amaçlı üretilen ve aşağıda açıklanan klima ve ısıtma pompalarıyla ilgili aşağıdaki hususları yalnızca kendi sorumluluğunda beyan eder:  
настоящим заявляет и берет на себя исключительную ответственность за то, что кондиционеры и тепловые насосы, описанные ниже и предназначенные для эксплуатации в жилых помещениях, торговых залах и на предприятиях легкой промышленности:  
erklærer et fullstendig ansvar for undernevnte klimaanlegg og varmepumper ved bruk i boliger, samt kommersielle og lettindustrielle miljøer:  
niniejszym oświadczam na swoją wyłączną odpowiedzialność, że klimatyzatory i pompy ciepła opisane poniżej, są przeznaczone do zastosowań w środowisku mieszkalnym, handlowym i lekko przemysłowym:

**MITSUBISHI ELECTRIC, PUMY-P112YKME4**  
**PUMY-P125YKME4**  
**PUMY-P140YKME4**

Note: Its serial number is on the nameplate of the product.  
Hinweis: Die Seriennummer befindet sich auf dem Kennschild des Produkts.  
Remarque : Le numéro de série de l'appareil se trouve sur la plaque du produit.  
Opmerking: het serienummer staat op het naamplaatje van het product.  
Nota: El número de serie se encuentra en la placa que contiene el nombre del producto.  
Nota: il numero di serie si trova sulla targhetta del prodotto.  
Σημείωση: Ο σειριακός του αριθμός βρίσκεται στην πινακίδα ονόματος του προϊόντος.

Nota: o número de série encontra-se na placa que contém o nome do produto.  
Bemærk: Serienummeret står på produktets fabrikkskilt.  
Obs: Serienumret finns på produktens namnplåt.  
Not: Seri numarasi ürünün isim plakasında yer alır.  
Примечание: серийный номер указан на паспортное табличке изделия.  
Merk: Serienummeret befinner seg på navneplaten til produktet.  
Uwaga: Numer seryjny znajduje się na tabliczce znamionowej produktu.

Directives  
Richtlijnen  
Directives  
Richtlijnen  
Directivas  
Direttive  
Οδηγίες  
Directivas  
Direktiver  
Direktiv  
Direktifler  
Директивы  
Direktiver  
Dyrektywy

2014/35/EU: Low Voltage  
2006/42/EC: Machinery  
2014/30/EU: Electromagnetic Compatibility  
2011/65/EU: RoHS Directive

Issued: 1 Oct. 2017  
JAPAN:

Katsuo Yabuta  
Senior Manager, Quality Assurance Department

## <ENGLISH>

English is original. The other languages versions are translation of the original.

### ⚠ CAUTION

- Refrigerant leakage may cause suffocation. Provide ventilation in accordance with EN378-1.
- Be sure to wrap insulation around the piping. Direct contact with the bare piping may result in burns or frostbite.
- Never put batteries in your mouth for any reason to avoid accidental ingestion.
- Battery ingestion may cause choking and/or poisoning.
- Install the unit on a rigid structure to prevent excessive operation sound or vibration.
- The A-weighted sound pressure level is below 70dB.
- This appliance is intended to be used by expert or trained users in shops, in light industry and on farms, or for commercial use by lay persons.

## <DEUTSCH>

Das Original ist in Englisch. Die anderen Sprachversionen sind vom Original übersetzt.

### ⚠ VORSICHT

- Wenn Kältemittel austritt, kann dies zu Ersticken führen. Sorgen Sie in Übereinstimmung mit EN378-1 für Durchlüftung.
- Die Leitungen müssen isoliert werden. Direkter Kontakt mit nicht isolierten Leitungen kann zu Verbrennungen oder Erfrierungen führen.
- Nehmen Sie niemals Batterien in den Mund, um ein versehentliches Verschlucken zu vermeiden.
- Durch das Verschlucken von Batterien kann es zu Erstickungen und/oder Vergiftungen kommen.
- Installieren Sie das Gerät auf einem stabilen Untergrund, um übermäßige Betriebsgeräusche oder -schwingungen zu vermeiden.
- Der A-gewichtete Schalldruckpegel ist niedriger als 70dB.
- Dieses Gerät ist vorgesehen für die Nutzung durch Fachleute oder geschultes Personal in Werkstätten, in der Leichtindustrie und in landwirtschaftlichen Betrieben oder für die kommerzielle Nutzung durch Laien.

## <FRANÇAIS>

L'anglais est l'original. Les versions fournies dans d'autres langues sont des traductions de l'original.

### ⚠ PRECAUTION

- Une fuite de réfrigérant peut entraîner une asphyxie. Fournissez une ventilation adéquate en accord avec la norme EN378-1.
- Assurez-vous que la tuyauterie est enveloppée d'isolant. Un contact direct avec la tuyauterie nue peut entraîner des brûlures ou des engelures.
- Ne mettez jamais des piles dans la bouche pour quelque raison que ce soit pour éviter de les avaler par accident.
- Le fait d'ingérer des piles peut entraîner un étouffement et/ou un empoisonnement.
- Installez l'appareil sur une structure rigide pour prévenir un bruit de fonctionnement et une vibration excessifs.
- Le niveau de pression acoustique pondéré est en dessous de 70 dB.
- Cet appareil est conçu pour un utilisateur expert ou les utilisateurs formés en magasin, dans l'industrie légère et dans l'agriculture ou dans le commerce par le profane.

## <NEDERLANDS>

Het Engels is het origineel. De andere taalversies zijn vertalingen van het origineel.

### ⚠ VOORZICHTIG

- Het lekken van koelvloeistof kan verstikking veroorzaken. Zorg voor ventilatie in overeenstemming met EN378-1.
- isoleer de leidingen met isolatiemateriaal. Direct contact met de onbedekte leidingen kan leiden tot brandwonden of bevriezing.
- Stop nooit batterijen in uw mond om inslikking te voorkomen.
- Het inslikken van batterijen kan verstikking of vergiftiging veroorzaken.
- Installeer het apparaat op een stabiele structuur om overmatig lawaai of trillingen te voorkomen.
- Het niveau van de geluidsdruk ligt onder 70 dB(A).
- Dit apparaat is bedoeld voor gebruik door ervaren of opgeleide gebruikers in werkplaatsen, in de lichte industrie en op boerderijen, of voor commercieel gebruik door leken.

## <ESPAÑOL>

El idioma original del documento es el inglés. Las versiones en los demás idiomas son traducciones del original.

### ⚠ CUIDADO

- Las pérdidas de refrigerante pueden causar asfixia. Se debe proporcionar la ventilación determinada en EN378-1.
- Asegúrese de colocar el aislante alrededor de las tuberías. El contacto directo con la tubería puede ocasionar quemaduras o congelación.
- Para evitar una ingestión accidental, no coloque las pilas en su boca bajo ningún concepto.
- La ingestión de las pilas puede causar asfixia y/o envenenamiento.
- Coloque la unidad en una estructura rígida para evitar que se produzcan sonidos o vibraciones excesivos debidos a su funcionamiento.
- El nivel de presión acústica ponderado A es inferior a 70 dB.
- Este aparato está destinado a su uso por parte de usuarios expertos o capacitados en talleres, industrias ligeras y granjas, o a su uso comercial por parte de personas no expertas.

## <ITALIANO>

Il testo originale è redatto in lingua Inglese. Le altre versioni linguistiche rappresentano traduzioni dell'originale.

### ⚠ ATTENZIONE

- Le perdite di refrigerante possono causare asfissia. Prevedere una ventilazione adeguata in conformità con la norma EN378-1.
- Accertarsi di applicare materiale isolante intorno alle tubature. Il contatto diretto con le tubature non schermate può provocare ustioni o congelamento.
- Non introdurre in nessun caso le batterie in bocca onde evitare ingestioni accidentali.
- L'ingestione delle batterie può provocare soffocamento e/o avvelenamento.
- Installare l'unità su una struttura rigida in modo da evitare rumore o vibrazioni eccessivi durante il funzionamento.
- Il livello di pressione del suono ponderato A è inferiore a 70dB.
- Questa apparecchiatura è destinata all'utilizzo da parte di utenti esperti o addestrati in negozi, industria leggera o fattorie oppure a un uso commerciale da parte di persone non esperte.

## <ΕΛΛΗΝΙΚΑ>

Η γλώσσα του πρωτοτύπου είναι η αγγλική. Οι εκδόσεις άλλων γλωσσών είναι μεταφράσεις του πρωτοτύπου.

### ⚠ ΠΡΟΣΟΧΗ

- Η διαρροή του ψυκτικού ενδέχεται να προκαλέσει ασφυξία. Φροντίστε για τον εξαερισμό σύμφωνα με το πρότυπο EN378-1.
- Φροντίστε να τυλιξείτε με μονωτικό υλικό τη σωλήνωση. Η απευθείας επαφή με τη γυμνή σωλήνωση ενδέχεται να προκαλέσει εγκαύματα ή κρυοπαγήματα.
- Μη βάζετε ποτέ τις μπαταρίες στο στόμα σας για κανένα λόγο ώστε να αποφύγετε την κατά λάθος κατάποσή τους.
- Η κατάποση μπαταριών μπορεί να προκαλέσει πνιγμό ή/και δηλητηρίαση.
- Εγκαταστήστε τη μονάδα σε σταθερή κατασκευή ώστε να αποφύγετε τον έντονο ήχο λειτουργίας ή τους κραδασμούς.
- Η Α-σταθμισμένη στάθμη ηχητικής πίεσης είναι κάτω των 70dB.
- Η συσκευή αυτή προορίζεται για χρήση από έμπειρους ή εκπαιδευμένους χρήστες σε καταστήματα, στην ελαφριά βιομηχανία και σε αγροκτήματα, ή για εμπορική χρήση από άτομα τα οποία δεν είναι ειδήμονες.

## <PORTUGUÊS>

O idioma original é o inglês. As versões em outros idiomas são traduções do idioma original.

### ⚠ CUIDADO

- A fuga de refrigerante pode causar asfixia. Garanta a ventilação em conformidade com a norma EN378-1.
- Certifique-se de que envolva as tubagens com material de isolamento. O contacto directo com tubagens não isoladas pode resultar em queimaduras ou ulcerações provocadas pelo frio.
- Nunca coloque pilhas na boca, por nenhum motivo, para evitar a ingestão accidental.
- A ingestão de uma pilha pode causar obstrução das vias respiratórias e/ou envenenamento.
- Instale a unidade numa estrutura robusta, de forma a evitar ruídos ou vibrações excessivos durante o funcionamento.
- O nível de pressão sonora ponderado A é inferior a 70 dB.
- Este equipamento destina-se a ser utilizado por especialistas ou utilizadores com formação em lojas, na indústria ligeira e em quintas, ou para utilização comercial por leigos.

## <DANSK>

Engelsk er originalen. De andre sprogversioner er oversættelser af originalen.

### ⚠ FORSIGTIG

- Lækage af kølemiddel kan forårsage kvælning. Sørg for udluftning i overensstemmelse med EN378-1.
- Sørg for at pakke rørene ind i isolering. Direkte kontakt med ubeklædte rør kan forårsage forbændinger eller forfrysninger.
- Batterier må under ingen omstændigheder tages i munden for at forhindre utilsigtet indtagelse.
- Indtagelse af batterier kan forårsage kvælning og/eller forgiftning.
- Installer enheden på en fast struktur for at forhindre for høje driftslyde eller vibrationer.
- Det A-vægtede lydtrykniveau er under 70dB.
- Dette apparat er beregnet til at blive brugt af eksperter eller udlærte brugere i butikker, inden for let industri og på gårde eller til kommerciel anvendelse af lægmænd.

## <SVENSKA>

Engelska är originalspråket. De övriga språkversionerna är översättningar av originalet.

### ⚠ FÖRSIKTIGHET

- Köldmedelsläckage kan leda till kvävning. Tillhandahåll ventilation i enlighet med EN378-1.
- Kom ihåg att linda isolering runt rören. Direktkontakt med bara rör kan leda till brännskador eller köldskador.
- Stoppa aldrig batterier i munnen, de kan sväljas av misstag.
- Om ett batteri sväljs kan det leda till kvävning och/eller förgiftning.
- Montera enheten på ett stadigt underlag för att förhindra höga driftslyd och vibrationer.
- Den A-vägd ljudtrycksnivån är under 70dB.
- Denna apparat är ämnad för användning av experter eller utbildade användare i affärer, inom lätt industri och på lantbruk, eller för kommersiell användning av lekman.

## <TÜRKÇE>

Aslı İngilizce'dir. Diğer dillerdeki sürümler Aslının çevirisidir.

### ⚠ DİKKAT

- Soğutucu kaçağı boğulmaya neden olabilir. EN378-1 uyarınca uygun havalandırma sağlayın.
- Borular etrafına yalıtım yapıldığından emin olun. Borulara doğrudan çıplak el dokunulması yanıklara veya soğuk ısırıklara neden olabilir.
- Kazara yutmamak için, pilleri kesinlikle hiçbir amaçla ağzınızda tutmayın.
- Pillerin yutulması boğulmaya ve/veya zehirlenmeye yol açabilir.
- Aşırı çalışma seslerini veya titreşimi önlemek için, üniteyi sağlam bir yapı üzerine monte edin.
- A ağırlıklı ses gücü seviyesi 70dB'nin altındadır.
- Bu cihaz atölyelerde, hafif endüstriyel tesislerde ve çiftliklerde uzman veya eğitilmiş kullanıcılar tarafından kullanılacak üzere veya normal kullanıcılar tarafından ticari kullanım için tasarlanmıştır.

## <РУССКИЙ>

Языком оригинала является английский. Версии на других языках являются переводом оригинала.

### ⚠ ОСТОРОЖНО

- Утечка хладагента может стать причиной удущья. Обеспечьте вентиляцию в соответствии с EN378-1.
- Обязательно оберните трубы изоляционной обмоткой. Непосредственный контакт с неизолированными трубопроводами может привести к ожогам или обморожению.
- Запрещается класть элементы питания в рот по каким бы то ни было причинам во избежание случайного проглатывания.
- Попадние элемента питания в пищеварительную систему может стать причиной удущья и/или отравления.
- Устанавливайте устройство на жесткую структуру во избежание чрезмерного шума или чрезмерной вибрации во время работы.
- Уровень звукового давления по шкале A составляет менее 70 дБ.
- Данное устройство предназначено для использования специалистами или обученным персоналом в магазинах, на предприятиях легкой промышленности и фермах или для коммерческого применения непрофессионалами.

## <NORSK>

Originalspråket er engelsk. De andre språkversionene er oversettelser av originalen.

### ⚠ FORSIKTIG

- Kjølemiddellekkasje kan forårsake kvælning. Sørg for ventilering i samsvar med EN378-1.
- Pass på at isoleringen pakkes godt rundt røret. Direkte kontakt med ukledte rør kan forårsake brannskader eller forfrysninger.
- Aldri plasser batteri i munnen, da dette kan medføre en risiko for at du svelger batteriet ved et uhell.
- Hvis du svelger et batteri, kan du risikere kvælning og/eller forgiftning.
- Installer enheten på en stabil struktur for å forhindre unødvendig mye driftsstøy eller vibrering.
- Det A-vektede lydtryknivået er under 70 dB.
- Dette apparatet er ment for bruk av eksperter eller faglært personell i butikker, lettindustri og på gårder, eller for kommersielt bruk av ikke-fagmenn.

## <POLSKI>

Językiem oryginału jest język angielski. Inne wersje językowe stanowią tłumaczenie oryginału.

### ⚠ UWAGA

- Wyciek czynnika chłodniczego może spowodować uduszenie. Należy zapewnić wentylację zgodnie z normą EN378-1.
- Należy pamiętać, aby owinąć izolację wokół przewodów rurowych. Bezpośredni kontakt z nieizolowanymi przewodami rurowymi może doprowadzić do poparzeń lub odmrożeń.
- Nie wolno wkładać baterii do ust z jakiegokolwiek powodu, aby uniknąć przypadkowego połknięcia.
- Połknięcie baterii może spowodować zadławienie i/lub zatrucie.
- Zainstalować urządzenie na sztywnej konstrukcji, aby zapobiec nadmieremu hałasowi i wibracjom.
- Poziom ciśnieniowość A nie przekracza 70 dB.
- W sklepach, w przemyśle lekkim i w gospodarstwach rolnych urządzenie powinno obsługiwać profesjonalni lub przeszkoleni użytkownicy, a w środowisku handlowym mogą to być osoby nieposiadające fachowej wiedzy.

This product is designed and intended for use in the residential,  
commercial and light-industrial environment.

**Importer:**

Mitsubishi Electric Europe B.V.  
Capronilaan 46, 1119 NS, Schiphol Rijk, The Netherlands

French Branch  
25, Boulevard des Bouvets, 92741 Nanterre Cedex, France

German Branch  
Mitsubishi-Electric-Platz 1, 40882 Ratingen, Germany

Belgian Branch  
Autobaan 2, 8210 Loppem, Belgium

Irish Branch  
Westgate Business Park, Ballymount, Dublin 24, Ireland

Italian Branch  
Centro Direzionale Colleoni, Palazzo Sirio-Ingresso 1 Viale Colleoni 7, 20864 Agrate Brianza  
(MB), Italy

Norwegian Branch  
Gneisveien 2D, 1914 Ytre Enebakk, Norway

Portuguese Branch  
Avda. do Forte, 10, 2799-514, Carnaxide, Lisbon, Portugal

Spanish Branch  
Carretera de Rubi 76-80 - Apdo. 420 08173 Sant Cugat del Valles (Barcelona), Spain

Scandinavian Branch  
Hammarbacken 14, P.O. Box 750 SE-19127, Sollentuna, Sweden

UK Branch  
Travellers Lane, Hatfield, Herts., AL10 8XB, England, U.K.

Polish Branch  
Krakowska 50, PL-32-083 Balice, Poland

MITSUBISHI ELECTRIC TURKEY ELEKTRİK ÜRÜNLERİ A.Ş.  
Şerifali Mah. Kale Sok. No: 41 34775 Ümraniye, İstanbul / Turkey

MITSUBISHI ELECTRIC (RUSSIA) LLC  
115114, Russia, Moscow, Letnikovskaya street 2, bld.1, 5th

Please be sure to put the contact address/telephone number on  
this manual before handing it to the customer.