

Air-Conditioners For Building Application

INDOOR UNIT

PKFY-P-VKM-E

For use with the R410A
Bei Verwendung von R410A
A utiliser avec le R410A
Bij gebruik van R410A
Para utilizar con el R410A

Uso del refrigerante R410A
Για χρήση με τα R410A
Para utilização com o R410A
R410A ile beraber kullanmak için
Для использования с моделями R410A

INSTALLATION MANUAL

FOR INSTALLER

For safe and correct use, please read this installation manual thoroughly before installing the air-conditioner unit.

INSTALLATIONSHANDBUCH

FÜR INSTALLATEURE

Zum sicheren und ordnungsgemäßen Gebrauch der Klimaanlage das Installationshandbuch gründlich durchlesen.

MANUEL D'INSTALLATION

POUR L'INSTALLATEUR

Veuillez lire le manuel d'installation en entier avant d'installer ce climatiseur pour éviter tout accident et vous assurer d'une utilisation correcte.

INSTALLATIEHANDLEIDING

VOOR DE INSTALLATEUR

Voor een veilig en juist gebruik moet u deze installatiehandleiding grondig doorlezen voordat u de airconditioner installeert.

MANUAL DE INSTALACIÓN

PARA EL INSTALADOR

Para un uso seguro y correcto, lea detalladamente este manual de instalación antes de montar la unidad de aire acondicionado.

MANUALE DI INSTALLAZIONE

PER L'INSTALLATORE

Per un uso sicuro e corretto, leggere attentamente questo manuale di installazione prima di installare il condizionatore d'aria.

ΕΓΧΕΙΡΙΔΙΟ ΟΔΗΓΙΩΝ ΕΓΚΑΤΑΣΤΑΣΗΣ

ΓΙΑ ΑΥΤΟΝ ΠΟΥ ΚΑΝΕΙ ΤΗΝ ΕΓΚΑΤΑΣΤΑΣΗ

Για ασφάλεια και σωστή χρήση, παρακαλείστε διαβάστε προσεκτικά αυτό το εγχειρίδιο, εγκατάστασης πριν αρχίσετε την εγκατάσταση της μονάδας κλιματισμού.

MANUAL DE INSTALAÇÃO

PARA O INSTALADOR

Para segurança e utilização correctas, leia atentamente este manual de instalação antes de instalar a unidade de ar condicionado.

MONTAJ ELKİTABI

MONTÖR İÇİN

Emniyetli ve doğru biçimde nasıl kullanılacağını öğrenmek için lütfen klima cihazını monte etmeden önce bu elkitabını dikkatle okuyunuz.

РУКОВОДСТВО ПО УСТАНОВКЕ

ДЛЯ УСТАНОВИТЕЛЯ

Для осторожного и правильного использования прибора необходимо тщательно ознакомиться с данным руководством по установке до выполнения установки кондиционера.

English (GB)

Deutsch (D)

Français (F)

Nederlands (NL)

Español (E)

Italiano (I)

Ελληνικά (GR)

Português (P)

Türkçe (TR)

Русский (RU)

Contents

1. Safety precautions.....	2	5. Drainage piping work.....	9
2. Installation location.....	3	6. Electrical work.....	10
3. Installing the indoor unit.....	3	7. Test run.....	13
4. Installing the refrigerant piping.....	7		

Note:
The phrase “Wired remote controller” in this installation manual refers only to the PAR-32MAA.
If you need any information for the other remote controller, please refer to either the installation manual or initial setting manual which are included in these boxes.

1. Safety precautions

- ▶ Before installing the unit, make sure you read all the “Safety precautions”.
- ▶ Please report to your supply authority or obtain their consent before connecting this equipment to the power supply system.

⚠ Warning:
Describes precautions that must be observed to prevent danger of injury or death to the user.

⚠ Caution:
Describes precautions that must be observed to prevent damage to the unit.

After installation work has been completed, explain the “Safety Precautions,” use, and maintenance of the unit to the customer according to the information in the Operation Manual and perform the test run to ensure normal operation. Both the Installation Manual and Operation Manual must be given to the user for keeping. These manuals must be passed on to subsequent users.

- ⚠ Warning:**
- Ask the dealer or an authorized technician to install the air conditioner.
 - The user should never attempt to repair the unit or transfer it to another location.
 - Install the unit at a place that can withstand its weight.
 - Use only specified cables for wiring. The wiring connections must be made securely with no tension applied on the terminal connections. Also, never splice the cables for wiring (unless otherwise indicated in this document).
Failure to observe these instructions may result in overheating or a fire.
 - Use only accessories authorized by Mitsubishi Electric and ask the dealer or an authorized technician to install them.
 - Do not touch the heat exchanger fins.
 - Install the air conditioner according to this Installation Manual.
 - Have all electric work done by a licensed electrician according to local regulations.
 - The appliance shall be installed in accordance with national wiring regulations.

- ⚠ Caution:**
- Do not use the existing refrigerant piping, when use R410A refrigerant.
 - Use ester oil, either oil or alkylbenzene (small amount) as the refrigerator oil to coat flares and flange connections, when use R410A refrigerant.
 - Do not use the air conditioner where food, pets, plants, precision instruments, or artwork are kept.
 - Do not use the air conditioner in special environments.
 - Ground the unit.
 - Install an leak molded case circuit breaker, as required.

- ⊘ : Indicates an action that must be avoided.
- ⚠ : Indicates that important instructions must be followed.
- ⚡ : Indicates a part which must be grounded.
- ⚠ : Indicates that caution should be taken with rotating parts.
- ⚠ : Indicates that the main power switch must be turned off before servicing.
- ⚠ : Beware of electric shock.
- ⚠ : Beware of hot surface.
- ⚠ ELV : At servicing, please shut down the power supply for both the Indoor and Outdoor Unit.

⚠ Warning:
Carefully read the labels affixed to the main unit.

- If the supply cord is damaged, it must be replaced by the manufacturer, its service agent or similarly qualified persons in order to avoid a hazard.
- If the air conditioner is installed in a small room, measures must be taken to prevent the refrigerant concentration from exceeding the safety limit even if the refrigerant should leak.
- The cut face punched parts may cause injury by cut, etc. The installers are requested to wear protective equipment such as gloves, etc.
- When installing or relocating, or servicing the air conditioner, use only the specified refrigerant (R410A) to charge the refrigerant lines. Do not mix it with any other refrigerant and do not allow air to remain in the lines. If air is mixed with the refrigerant, then it can be the cause of abnormal high pressure in the refrigerant line, and may result in an explosion and other hazards.
The use of any refrigerant other than that specified for the system will cause mechanical failure or system malfunction or unit breakdown. In the worst case, this could lead to a serious impediment to securing product safety.

- Use power line cables of sufficient current carrying capacity and rating.
- Use only a molded case circuit breaker and fuse of the specified capacity.
- Do not touch the switches with wet fingers.
- Do not touch the refrigerant pipes during and immediately after operation.
- Do not operate the air conditioner with the panels and guards removed.
- Do not turn off the power immediately after stopping operation.

2. Installation location

■ PKFY-P-VKM-E

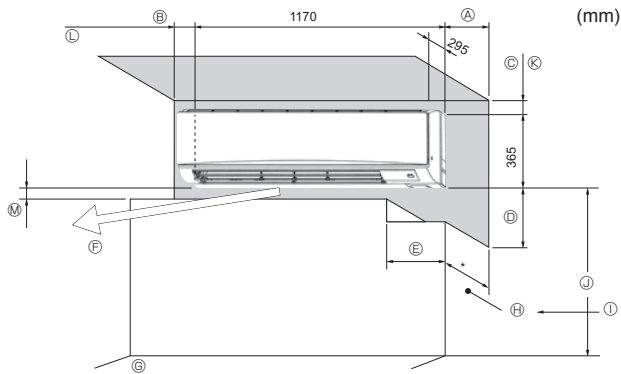


Fig. 2-1

2.1. Outline dimensions (Indoor unit) (Fig. 2-1)

Select a proper position allowing the following clearances for installation and maintenance.

■ PKFY-P-VKM-E

(mm)

A	B	C	D	E
Min. 100.5	Min. 52.3	Min. 48	Min. 250	Min. 220

- Ⓕ Air outlet: Do not place an obstacle within 1500 mm of the air outlet.
- Ⓖ Floor surface
- Ⓗ Furnishing
- Ⓘ When the projection dimension of a curtain rail or the like from the wall exceeds 60 mm, extra distance should be taken because the fan air current may create a short cycle.
- Ⓝ 1800 mm or greater from the floor surface (for high location mounting)
- Ⓚ 108 mm or greater with left or rear left piping and optional drain pump installation
- Ⓛ 550 mm or greater with optional drain pump installation
- Ⓜ Minimum 7 mm: 265 mm or greater with optional drain pump installation

3. Installing the indoor unit

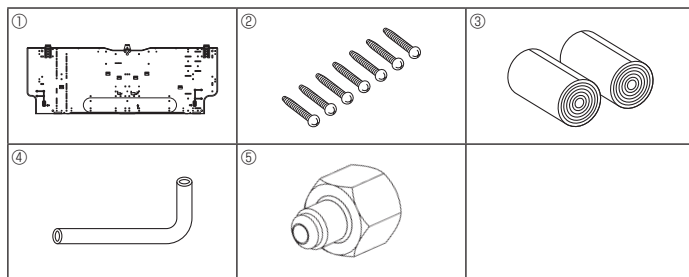


Fig. 3-1

3.1. Check the indoor unit accessories (Fig. 3-1)

The indoor unit should be supplied with the following accessories.

PART NUMBER	ACCESSORY	QUANTITY		LOCATION OF SETTING
		P63	P100	
①	Mount board	1	1	Fix at the back of the unit
②	Tapping screw 4 × 25	7	7	
③	Felt tape	2	2	
④	L-shaped connection pipe	1	1	
⑤	Charge nut	1	1	

3.2. Installing the wall mounting fixture

3.2.1. Setting the wall mounting fixture and piping positions

► Using the wall mounting fixture, determine the unit's installation position and the locations of the piping holes to be drilled.

⚠ Warning:

Before drilling a hole in the wall, you must consult the building contractor.

■ PKFY-P-VKM-E (Fig. 3-2)

- Ⓐ Mount board ①
- Ⓑ Indoor unit
- Ⓒ Bottom left rear pipe hole (ø75-ø80)
- Ⓓ Bottom right rear pipe hole (ø75-ø80)
- Ⓔ Knockout hole for left rear hole (75 × 480)
- Ⓕ Bolt hole (4-ø9 hole)
- Ⓖ Center measurement hole (ø2.5 hole)
- Ⓗ Tapping hole (75-ø5.1 hole)
- Ⓘ Hole centre
- Ⓝ Align the scale with the line.
- Ⓚ Insert scale.

■ PKFY-P-VKM-E

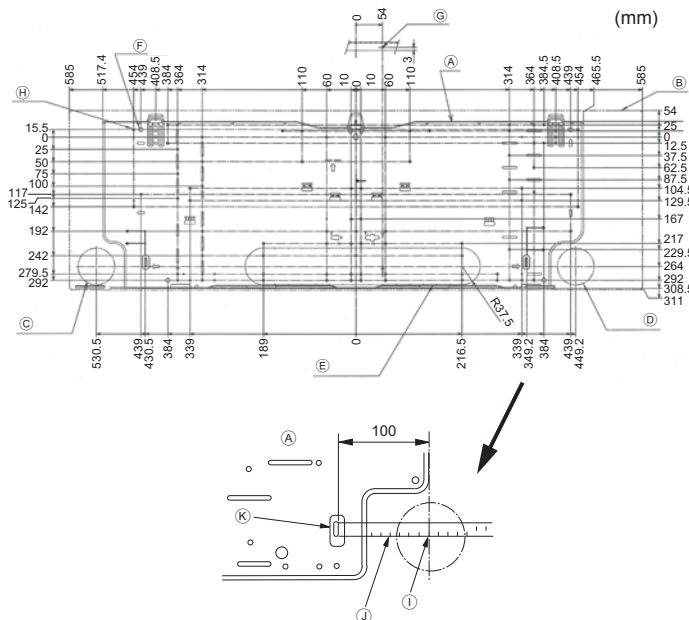


Fig. 3-2

3.2.2. Drilling the piping hole (Fig. 3-3)

- Use a core drill to make a hole of 75-80 mm diameter in the wall in the piping direction, at the position shown in the diagram to the left.
- The hole should incline so that the outside opening is lower than the inside opening.
- Insert a sleeve (with a 75 mm diameter and purchased locally) through the hole.

Note:

The purpose of the hole's inclination is to promote drain flow.

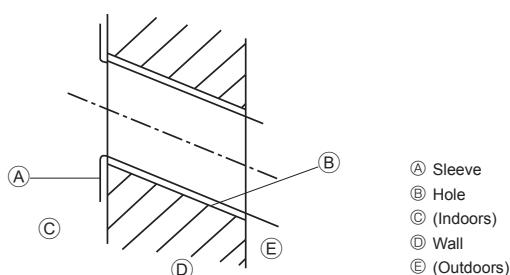


Fig. 3-3

3. Installing the indoor unit

■ PKFY-P-VKM-E

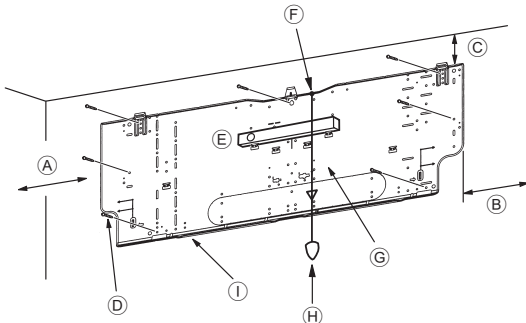


Fig. 3-4

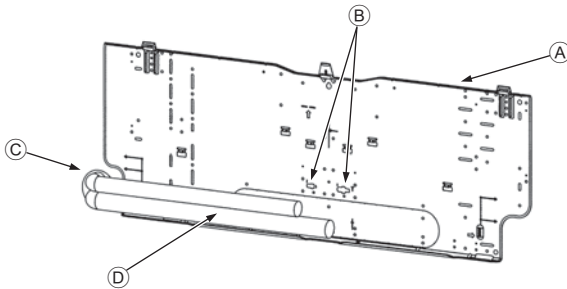


Fig. 3-5

■ PKFY-P-VKM-E

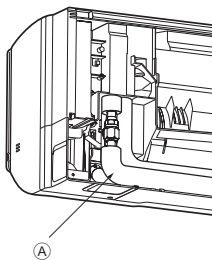


Fig. 3-6

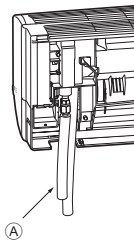


Fig. 3-7



Fig. 3-8

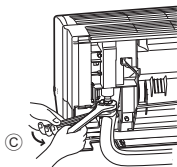


Fig. 3-9

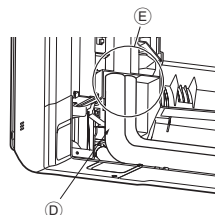


Fig. 3-10

3.2.3. Installing the wall mounting fixture

- ▶ Since the indoor unit weighs near 22 kg, selection of the mounting location requires thorough consideration. If the wall does not seem to be strong enough, reinforce it with boards or beams before installation.
- ▶ The mounting fixture must be secured at both ends and at the centre, if possible. Never fix it at a single spot or in any nonsymmetrical way. (If possible, secure the fixture at all the positions marked with a bold arrow.)

⚠ **Warning:**

If possible, secure the fixture at all positions indicated with a bold arrow.

⚠ **Caution:**

- The unit body must be mounted horizontally.
- Fasten at the holes marked with ▲ as shown by the arrows.

■ PKFY-P-VKM-E (Fig. 3-4)

- Ⓐ Min. 120 mm (617.6 mm or greater with optional drain pump installation)
- Ⓑ Min. 220 mm
- Ⓒ Min. 70 mm (130 mm or greater with left, rear left, or lower left piping, and optional drain pump installation)
- Ⓓ Fixing screws (4 × 25) ②
- Ⓔ Level
- Ⓕ Fasten a thread to the hole.
- Ⓖ Place the level against the horizontal reference line of the mount board and mount so that it is level. Hang a weight from the thread and align with ∇ EPK of the mount board to permit leveling.
- Ⓗ Weight
- Ⓛ Mount board ①

3.3. When embedding pipes into the wall (Fig. 3-5)

- The pipes are on the bottom left.
- When the cooling pipe, drain pipes internal/external connection lines etc are to be embedded into the wall in advance, the extruding pipes etc, may have to be bent and have their length modified to suit the unit.
- Use marking on the mount board as a reference when adjusting the length of the embedded cooling pipe.
- During construction, give the length of the extruding pipes etc some leeway.
 - Ⓐ Mount board ①
 - Ⓑ Reference marking for flare connection
 - Ⓒ Through hole
 - Ⓓ On-site piping

3.4. Preparing the indoor unit

* Check beforehand because the preparatory work will differ depending on the exiting direction of the piping.

* When bending the piping, bend gradually while maintaining the base of the piping exiting portion. (Abrupt bending will cause misshaping of the piping.)

■ PKFY-P-VKM-E

Attachment of L-shaped connection pipe ④

Right, left and rear piping (Fig. 3-6)

1. Remove the flare nut and cap of the indoor unit. (Gas pipe only)
2. Apply refrigerating machine oil to the flare sheet surface. (Preparation on location)
3. Facing the direction in which the L-shaped connection pipe ④ will be removed, make a quick connection to the indoor unit flare connection opening.
4. Tighten the flare nut using a double open-end wrench. (Fig. 3-9)
Tightening force: 68 to 82 N·m
5. Attach the charge nut ⑤ to the liquid pipe side joint portion, and check for leakage of the L-shaped connection pipe ④ connection portion. Remove the charge nut ⑤ after completion of the work.
Tightening force: 34 to 42 N·m
6. Cover the flare connection portion with the pipe cover of the L-shaped connection pipe ④ so that it is not exposed. (Fig. 3-10)
 - Ⓐ L-shaped connection pipe ④
 - Ⓑ Cut-off position (Straight pipe portion)
 - Ⓒ Tightening direction
 - Ⓓ Cover with pipe cover
 - Ⓔ Cover the flare nut connection portion with the pipe cover.

Lower piping (Fig. 3-7)

1. Cut L-shaped connection pipe ④ at the position indicated in (Fig. 3-8).
2. Insert the flare nut that was removed earlier onto the straight pipe side of the cut L-shaped connection pipe ④ and then flare the end of the pipe.
3. Remove the flare nut and cap of the indoor unit. (Gas pipe only)
4. Apply refrigerating machine oil to the flare sheet surface. (Preparation on location)
5. Quickly connect the L-shaped connection pipe ④ that has been processed as described in part 2) to the indoor unit flare connection opening.
6. Tighten the flare nut using a double open-end wrench. (Fig. 3-9)
Tightening force: 68 to 82 N·m
7. Attach the charge nut ⑤ to the liquid pipe side joint portion, and check for leakage of the L-shaped connection pipe ④ connection portion. Remove the charge nut ⑤ after completion of the work.
Tightening force: 34 to 42 N·m
8. Cover the flare connection portion with the pipe cover of the L-shaped connection pipe ④ so that it is not exposed. (Fig. 3-10)

3. Installing the indoor unit

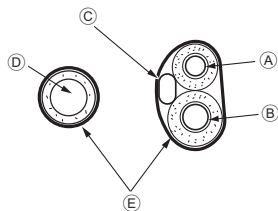


Fig. 3-11

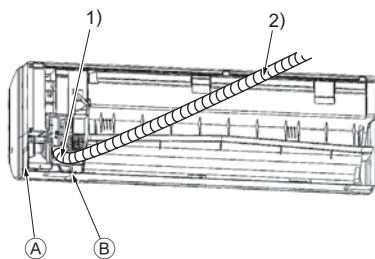


Fig. 3-12

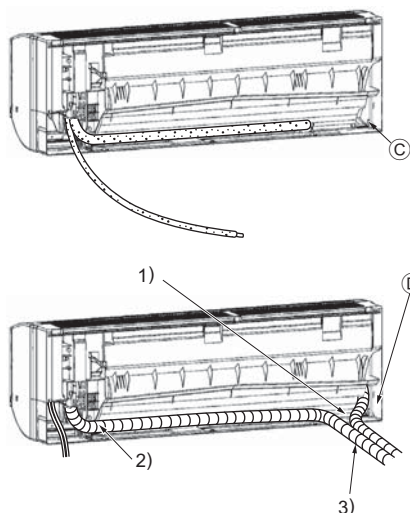


Fig. 3-13

Leakage check of the L-shaped connection pipe connection portion

1. Attach the charge nut ⑤ to the liquid pipe side joint portion.
Tightening force: 34 to 42 N·m
2. Pressurize by filling with nitrogen gas from the charge nut.
Do not pressurize to the current constant pressure all at once. Pressurize gradually.
 - 1) Pressurize to 0.5 MPa, wait five minutes, and make sure the pressure does not decrease.
 - 2) Pressurize to 1.5 MPa, wait five minutes, and make sure the pressure does not decrease.
 - 3) Pressurize to 4.15 MPa and measure the surrounding temperature and refrigerant pressure.
3. If the specified pressure holds for about one day and does not decrease, the pipes have passed the test and there are no leaks.
 - If the surrounding temperature changes by 1°C, the pressure will change by about 0.01 MPa. Make the necessary corrections.
4. If the pressure decreases in steps (2) or (3), there is a gas leak. Look for the source of the gas leak.

Extraction and processing of the piping and wiring (Fig. 3-11)

1. Connection of indoor/outdoor wiring → See page. 8.
2. Wrap the felt tape ③ in the range of the refrigerant piping and drain hose which will be housed within the piping space of the indoor unit.
 - Wrap the felt tape ③ securely from the base for each of the refrigerant piping and the drain hose.
 - Overlap the felt tape ③ at one-half of the tape width.
 - Fasten the end portion of the wrapping with vinyl tape.

- ① Liquid pipe
- ② Gas pipe
- ③ Indoor/outdoor connection cable
- ④ Drain hose
- ⑤ Felt tape ③

3. Be careful that the drain hose is not raised, and that contact is not made with the indoor unit box body.
Do not pull the drain hose forcefully because it might come out.

Rear, right and lower piping (Fig. 3-12)

- 1) Be careful that the drain hose is not raised, and that contact is not made with the indoor unit box body.
Arrange the drain hose at the underside of the piping and wrap it with felt tape ③.
- 2) Securely wrap the felt tape ③ starting from the base. (Overlap the felt tape at one-half of the tape width.)
 - ① Cut off for right piping.
 - ② Cut off for lower piping.

Left and left rear piping (Fig. 3-13)

4. Drain hose replacement → See 6. Drainage piping work
Be sure to replace the drain hose and the drain cap for the left and rear left piping. Dripping may occur if you forget to install or fail to replace these parts.
 - ③ Drain cap
- 1) Be careful that the drain hose is not raised, and that contact is not made with the indoor unit box body.
- 2) Securely wrap the felt tape ③ starting from the base. (Overlap the felt tape at one-half of the tape width.)
- 3) Fasten the end portion of the felt tape ③ with vinyl tape.
 - ④ Cut off for left piping.

3. Installing the indoor unit

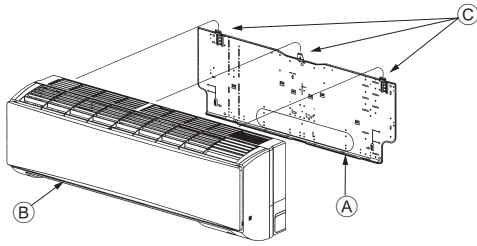


Fig. 3-14

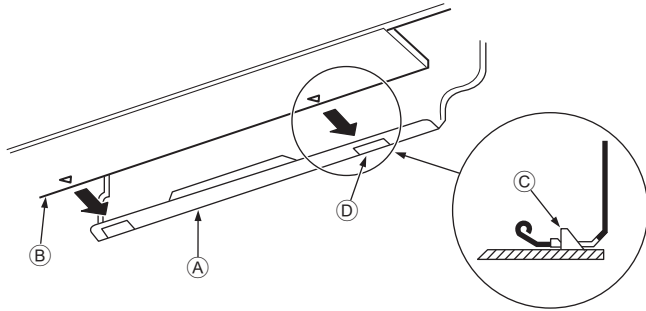


Fig. 3-15

■ PKFY-P-VKM-E

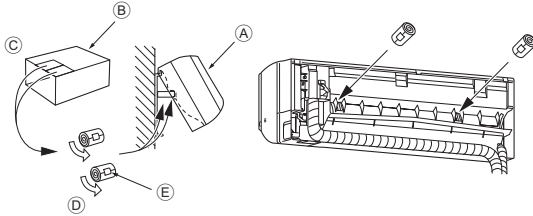


Fig. 3-16

3.5. Mounting the indoor unit

1. Affix the mount board ① to the wall.
2. Hang the indoor unit on the hook positioned on the upper part of the mount board.

Rear, right and lower piping (Fig. 3-14)

3. While inserting the refrigerant piping and drain hose into the wall penetration hole (penetration sleeve), hang the top of the indoor unit to the mount board ①.
4. Move the indoor unit to the left and right, and verify that the indoor unit is hung securely.
5. Fasten by pushing the bottom part of the indoor unit onto the mount board ①. (Fig. 3-15)

* Check that the knobs on the bottom of the indoor unit are securely hooked into the mount board ①.

6. After installation, be sure to check that the indoor unit is installed level.

- ① Mount board
- ② Indoor unit
- ③ Hook
- ④ square hole

Left and left rear piping (Fig. 3-16)

3. While inserting the drain hose into the wall penetration hole (penetration sleeve), hang the top of the indoor unit to the mount board ①.

Giving consideration to the piping storage, move the unit all the way to the left side, then cut part of the packaging carton and wrap into a cylindrical form as illustrated in the diagram. Hook this to the rear surface rib as a spacer, and raise the indoor unit.

4. Connect the refrigerant piping with the site-side refrigerant piping.
5. Fasten by pushing the bottom part of the indoor unit onto the mount board ①.

* Check that the knobs on the bottom of the indoor unit are securely hooked into the mount board ①.

6. After installation, be sure to check that the indoor unit is installed level.

- ① Indoor unit
- ② Packaging carton
- ③ Cut off
- ④ Wrap into a cylindrical form
- ⑤ Fasten with tape

4. Installing the refrigerant piping

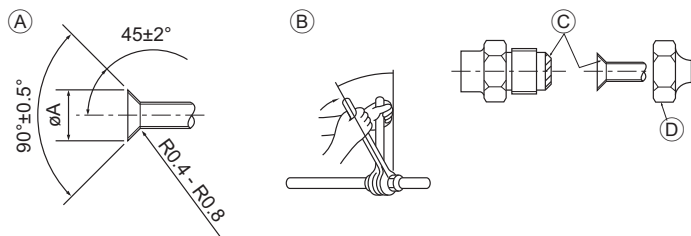


Fig. 4-1

(A) Flare cutting dimensions

Copper pipe O.D. (mm)	Flare dimensions ϕA dimensions (mm)
$\phi 9.52$	12.8 - 13.2
$\phi 15.88$	19.3 - 19.7
$\phi 19.05$	22.9 - 23.3

(B) Refrigerant pipe sizes & Flare nut tightening torque

(C) Do not apply refrigerating machine oil to the screw portions. (This will make the flare nuts more apt to loosen.)

(D) Be certain to use the flare nuts that are attached to the main unit. (Use of commercially-available products may result in cracking.)

	R410A				Flare nut O.D.	
	Liquid pipe		Gas pipe		Liquid pipe (mm)	Gas pipe (mm)
	Pipe size O.D. (mm)	Tightening torque. (N·m)	Pipe size O.D. (mm)	Tightening torque. (N·m)		
P63	OD $\phi 9.52$ (3/8")	34 - 42	OD $\phi 15.88$ (5/8")	68 - 82	22	29
P100	OD $\phi 9.52$ (3/8")	34 - 42	OD $\phi 15.88$ (5/8")	68 - 82	22	29

(E) Apply refrigerating machine oil over the entire flare seat surface.

4.1. Connecting pipes (Fig. 4-1)

- When commercially available copper pipes are used, wrap liquid and gas pipes with commercially available insulation materials (heat-resistant to 100 °C or more, thickness of 12 mm or more).
- The indoor parts of the drain pipe should be wrapped with polyethylene foam insulation materials (specific gravity of 0.03, thickness of 9 mm or more).
- Apply thin layer of refrigerant oil to pipe and joint seating surface before tightening flare nut.
- Use two wrenches to tighten piping connections.
- Use refrigerant piping insulation provided to insulate indoor unit connections. Insulate carefully.

Warning:

When installing the unit, securely connect the refrigerant pipes before starting the compressor.

■ PKFY-P-VKM-E

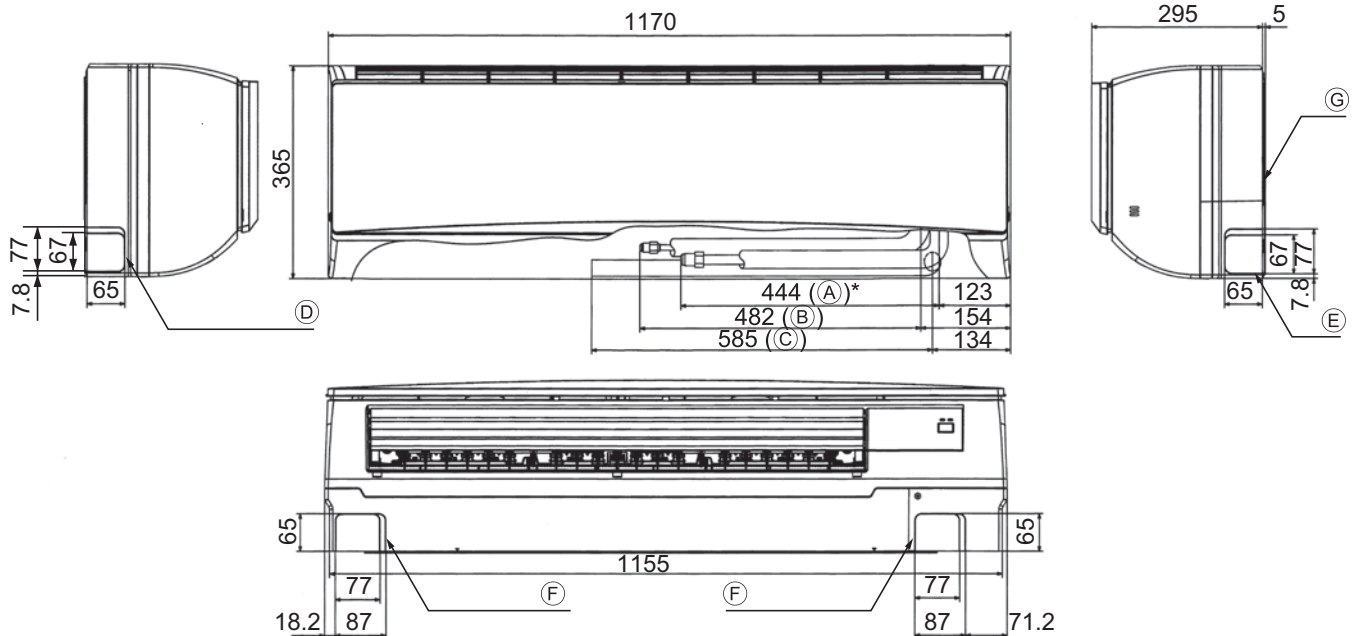


Fig. 4-2

4.2. Positioning refrigerant and drain piping (Fig. 4-2)

■ PKFY-P-VKM-E

- (A) Gas pipe
 - (B) Liquid pipe
 - (C) Drain hose
 - (D) Left-side piping knockout hole
 - (E) Right-side piping knockout hole
 - (F) Lower piping knockout hole
 - (G) Mount board ①
- * Indicates the condition with accessories mounted.

4. Installing the refrigerant piping

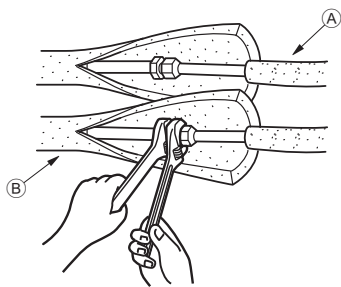


Fig. 4-3

■ PKFY-P·VKM-E

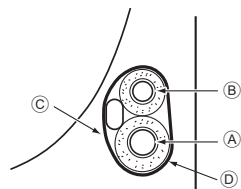


Fig. 4-4

4.3. Refrigerant piping (Fig. 4-3)

Indoor unit

1. Remove the flare nut and cap of the indoor unit.
2. Make a flare for the liquid pipe and gas pipe and apply refrigerating machine oil (available from your local supplier) to the flare sheet surface.
3. Quickly connect the on site cooling pipes to the unit.
4. Wrap the pipe cover that is attached to the gas pipe and make sure that the connection join is not visible.
5. Wrap the pipe cover of the unit's liquid pipe and make sure that it covers the insulation material of the on site liquid pipe.
6. The portion where the insulation material is joined is sealed by taping.

Ⓐ Site-side refrigerant piping

Ⓑ Unit side refrigerant piping

4.3.1. Storing in the piping space of the unit (Fig. 4-4)

1. Wrap the supplied felt tape in the range of the refrigerant piping which will be housed within the piping space of the unit to prevent dripping.
2. Overlap the felt tape at one-half of the tape width.
3. Fasten the end portion of the wrapping with vinyl tape, etc.

Ⓐ Gas pipe

Ⓑ Liquid pipe

Ⓒ Indoor/outdoor connection cable

Ⓓ Felt tape ③

5. Drainage piping work

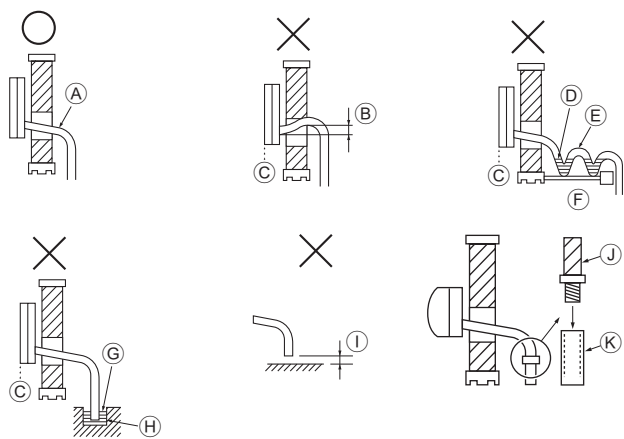


Fig. 5-1

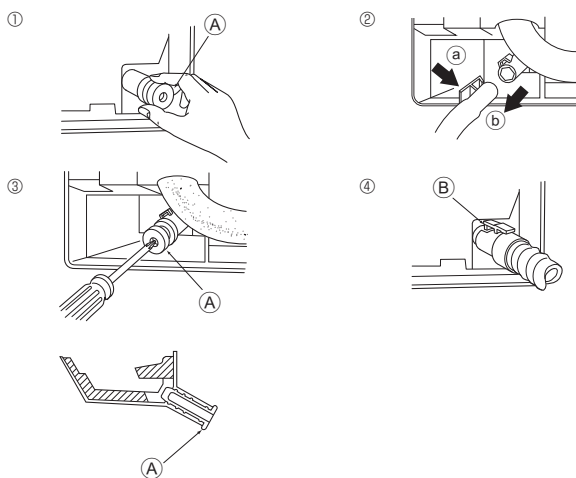


Fig. 5-2

■ PKFY-P-VKM-E

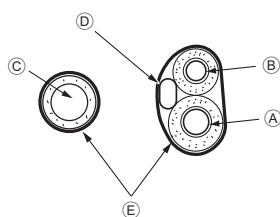


Fig. 5-3

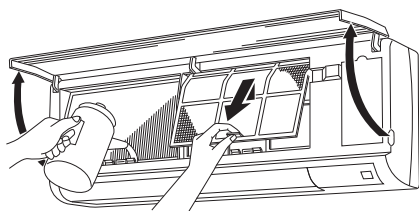


Fig. 5-4

5.1. Drainage piping work (Fig. 5-1)

- Drain pipes should have an inclination of 1/100 or more.
- For extension of the drain pipe, use a soft hose (inner dia. 15 mm) available on the market or hard vinyl chloride pipe (VP-16/O.D. ø22 PVC TUBE). Make sure that there is no water leakage from the connections.
- Do not put the drain piping directly in a drainage ditch where sulphuric gas may be generated.
- When piping has been completed, check that water flows from the end of the drain pipe.

⚠ Caution:

The drain pipe should be installed according to this Installation Manual to ensure correct drainage. Thermal insulation of the drain pipes is necessary to prevent condensation. If the drain pipes are not properly installed and insulated, condensation may drip on the ceiling, floor or other possessions.

- (A) Inclined downwards
- (B) Must be lower than outlet point
- (C) Water leakage
- (D) Trapped drainage
- (E) Air
- (F) Wavy
- (G) The end of drain pipe is under water.
- (H) Drainage ditch
- (I) 5 cm or less between the end of drain pipe and the ground.
- (J) Drain hose
- (K) Soft PVC hose (Inside diameter 15 mm) or Hard PVC pipe (VP-16)
- * Bond with PVC type adhesive

Preparing left and left rear piping (Fig. 5-2)

- Remove the drain cap.
 - Remove the drain cap by holding the bit that sticks out at the end of the pipe and pulling.
 - (A) Drain cap
- Remove the drain hose.
 - Remove the drain hose by holding on to the base of the hose (a) (shown by arrow) and pulling towards yourself (b).
- Insert the drain cap.
 - Insert a screwdriver etc into the hole at the end of the pipe and be sure to push to the base of the drain cap.
- Insert the drain hose.
 - Push the drain hose until it is at the base of the drain box connection outlet.
 - Please make sure the drain hose hook is fastened properly over the extruding drain box connection outlet.
 - (B) Hooks

◆ Storing in the piping space of the indoor unit (Fig. 5-3)

- * When the drain hose will be routed indoors, be sure to wrap it with commercially available insulation.
- * Gather the drain hose and the refrigerant piping together and wrap them with the supplied felt tape (E).
- * Overlap the felt tape (E) at one-half of the tape width.
- * Fasten the end portion of the wrapping with vinyl tape, etc.

- (A) Gas pipe
- (B) Liquid pipe
- (C) Drain hose
- (D) Indoor/outdoor connection wiring
- (E) Felt tape (E)

◆ Check of drainage (Fig. 5-4)

- Open the front grille and remove the filter.
- Facing the fins of the heat exchanger, slowly fill with water.
- After the drainage check, attach the filter and close the grille.

6. Electrical work

■ PKFY-P-VKM-E

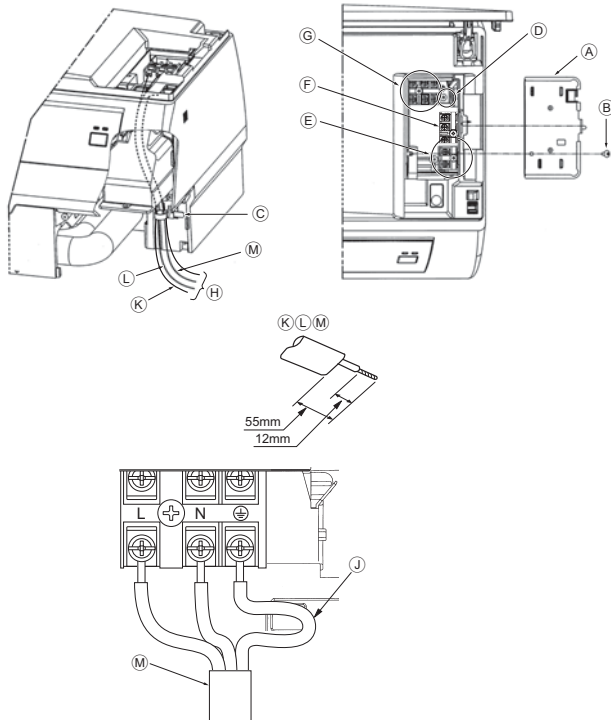


Fig. 6-1

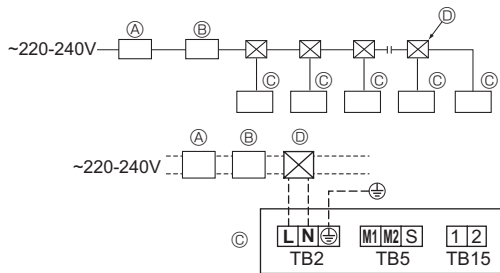


Fig. 6-2

6.1. Electrical work

■ PKFY-P-VKM-E (Fig. 6-1)

Connection can be made without removing the front panel.

1. Open the front grille, remove the screw (1 piece), and remove the electrical parts cover.
 2. Securely connect each wire to the terminal board.
- * In consideration of servicing, provide extra length for each of the wires.
 * Take care when using strand wires, because beards may cause the wiring to short out.
3. Install the parts that were removed back to their original condition.
 4. Fasten each of the wires with the clamp under the electrical parts box.

- Ⓐ Electrical box cover
- Ⓑ Fixing screw
- Ⓒ Clamp
- Ⓓ Ground wire connection portion
- Ⓔ MA remote control terminal board: (1, 2) do not have polarity
- Ⓕ Transmission terminal board: (M1, M2, S) do not have polarity
- Ⓖ Power supply terminal board (L, N, Earth).
- Ⓗ Lead
- Ⓙ Ground wire connection portion: Connect the ground wire in the direction illustrated in the diagram.
- Ⓚ Remote control cable
- Ⓛ Transmission cable
- Ⓜ Power supply cable

6.2. Power supply wiring

- Wiring size must comply with the applicable local and national codes.
- Power supply cable of appliance shall not be lighter than design 245 IEC 53 or 227 IEC57, 245 IEC 53 or 227 IEC 53.
- Install an earth line longer than other cables.
- A switch with at least 3 mm, 1/8 inch contact separation in each pole shall be provided by the air conditioner installation.

[Fig.6-2]

- Ⓐ Ground-fault interrupter
- Ⓑ Local switch/Wiring breaker
- Ⓒ Indoor unit
- Ⓓ Pull box

⚠ Warning:

Never splice the power cable or the indoor-outdoor connection cable, otherwise it may result in a smoke, a fire or communication failure.

6. Electrical work

Total operating current of the indoor unit	Minimum wire thickness (mm ²)			Ground-fault interrupter *1	Local switch (A)		Breaker for wiring (NFB)
	Main cable	Branch	Ground		Capacity	Fuse	
F0 = 16 A or less *2	1.5	1.5	1.5	20 A current sensitivity *3	16	16	20
F0 = 25 A or less *2	2.5	2.5	2.5	30 A current sensitivity *3	25	25	30
F0 = 32 A or less *2	4.0	4.0	4.0	40 A current sensitivity *3	32	32	40

Apply to IEC61000-3-3 about max. permissive system impedance.

*1 The Ground-fault interrupter should support inverter circuit.

The Ground-fault interrupter should combine using of local switch or wiring breaker.

*2 Please take the larger of F1 or F2 as the value for F0.

F1 = Total operating maximum current of the indoor units × 1.2

F2 = {V1 × (Quantity of Type1)/C} + {V1 × (Quantity of Type2)/C} + {V1 × (Quantity of Type3)/C} + {V1 × (Quantity of Others)/C}

Indoor unit		V1	V2
Type 1	PLFY-VBM, PMFY-VBM, PEFY-VMS, PFFY-VKM, PCFY-VKM, PKFY-VHM, PKFY-VKM, PLFY-VCM	18.6	2.4
Type 2	PEFY-VMA	38	1.6
Type 3	PEFY-VMHS	13.8	4.8
Others	Other indoor unit	0	0

C : Multiple of tripping current at tripping time 0.01 s

Please pick up "C" from the tripping characteristic of the breaker.

<Example of "F2" calculation>

*Condition PEFY-VMS × 4 + PEFY-VMA × 1, C = 8 (refer to right sample chart)

$$F2 = 18.6 \times 4/8 + 38 \times 1/8$$

$$= 14.05$$

→ 16 A breaker (Tripping current = 8 × 16 A at 0.01 s)

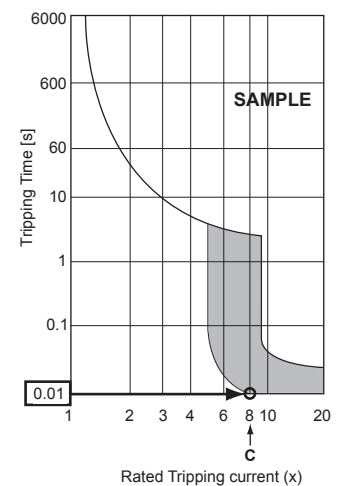
*3 Current sensitivity is calculated using the following formula.

$$G1 = V2 \times (\text{Quantity of Type1}) + V2 \times (\text{Quantity of Type2}) + V2 \times (\text{Quantity of Type3}) + V2 \times (\text{Quantity of Others}) + V3 \times (\text{Wire length[km]})$$

G1	Current sensitivity
30 or less	30 mA 0.1 sec or less
100 or less	100 mA 0.1 sec or less

Wire thickness	V3
1.5 mm ²	48
2.5 mm ²	56
4.0 mm ²	66

Sample chart



6.3. Types of control cables

1. Wiring transmission cables

Types of transmission cable	Shielding wire CVVS or CPEVS
Cable diameter	More than 1.25 mm ²
Length	Less than 200 m

2. M-NET Remote control cables

Types of remote control cable	Shielding wire MVVS
Cable diameter	More than 0.5 to 1.25 mm ²
Length	Add any portion in excess of 10 m to within the longest allowable transmission cable length 200 m.

3. MA Remote control cables

Types of remote control cable	2-core cable (unshielded)
Cable diameter	0.3 to 1.25 mm ²
Length	Less than 200 m

6. Electrical work

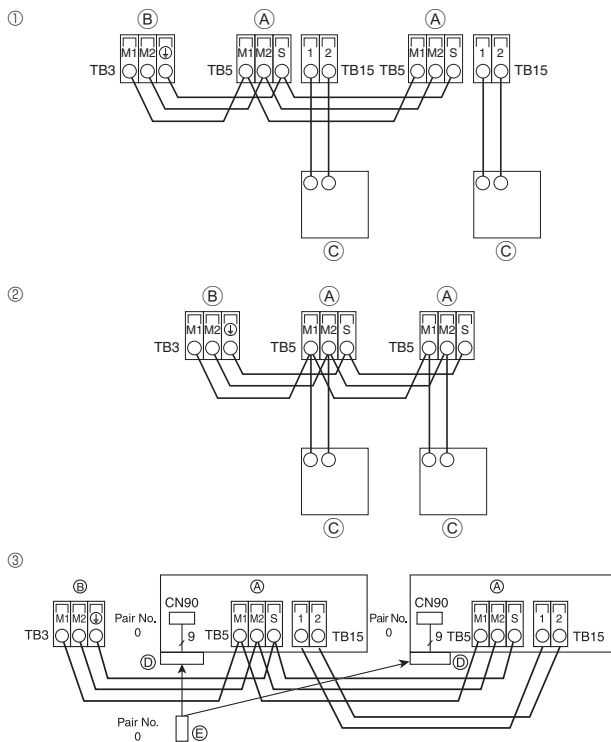


Fig. 6-3

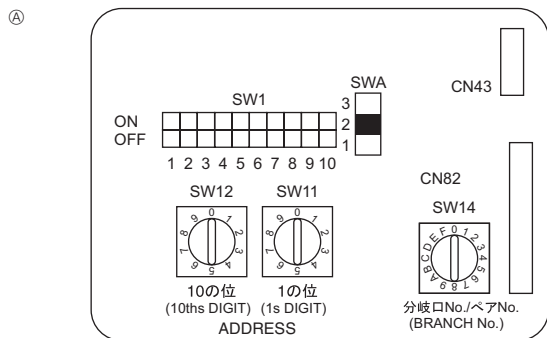


Fig. 6-4

6.4. Connecting remote controller, indoor and outdoor transmission cables (Fig. 6-3)

- Connect indoor unit TB5 and outdoor unit TB3. (Non-polarized 2-wire) The "S" on indoor unit TB5 is a shielding wire connection. For specifications about the connecting cables, refer to the outdoor unit installation manual.
 - Install a remote controller following the manual supplied with the remote controller.
 - Connect the remote controller's transmission cable within 10 m using a 0.75 mm² core cable. If the distance is more than 10 m, use a 1.25 mm² junction cable.
- ① MA Remote controller
 - Connect the "1" and "2" on indoor unit TB15 to a MA remote controller. (Non-polarized 2-wire)
 - DC 9 to 13 V between 1 and 2 (MA remote controller)
 - ② M-NET Remote controller
 - Connect the "M1" and "M2" on indoor unit TB5 to a M-NET remote controller. (Nonpolarized 2-wire)
 - DC 24 to 30 V between M1 and M2 (M-NET remote controller)
 - ③ Wireless remote controller (When installing wireless signal receiver)
 - Connect the wire of wireless signal receiver (9-pole cable) to CN90 of indoor con-troller board.
 - When more than two units are run under group control using wireless remote controller, connect TB15 each with the same number.
 - To change Pair No. setting, refer to installation manual attached to wireless remote controller. (In the default setting of indoor unit and wireless remote controller, Pair No. is 0.)
- (A) Terminal block for indoor transmission cable
 (B) Terminal block for outdoor transmission cable (M1(A), M2(B), ⊕(S))
 (C) Remote controller
 (D) Wireless signal receiver
 (E) Wireless remote controller

6.5. Setting addresses (Fig. 6-4)

(Be sure to operate with the main power turned OFF.)

- There are two types of rotary switch setting available: setting addresses 1 to 9 and over 10, and setting branch numbers.
- ① How to set addresses
 - Example: If Address is "3", remain SW12 (for over 10) at "0", and match SW11 (for 1 to 9) with "3".
 - ② How to set branch numbers SW14 (Series R2 only)
 - Match the indoor unit's refrigerant pipe with the BC controller's end connection number.
 - Remain other than series R2 at "0".
- The rotary switches are all set to "0" when shipped from the factory. These switches can be used to set unit addresses and branch numbers at will.
 - The determination of indoor unit addresses varies with the system at site. Set them referring to the Data Book.

6.6. Sensing room temperature with the built-in sensor in a remote controller

If you want to sense room temperature with the built-in sensor in a remote controller, set SW1-1 on the control board to "ON". The setting of SW1-7 and SW1-8 as necessary also makes it possible to adjust the air flow at a time when the heating thermometer is OFF.

6.7. Electrical characteristics

Symbols: MCA: Max. Circuit Amps (= 1.25×FLA) FLA: Full Load Amps
IFM: Indoor Fan Motor Output: Fan motor rated output

Model	Power supply			IFM	
	Volts/ Hz	Range +- 10%	MCA (A)	Output (kW)	FLA (A)
PKFY-P63VKM-E	220-240 V / 50 Hz	Max.: 264 V	0.36	0.056	0.29
PKFY-P100VKM-E	220 V / 60 Hz	Min.: 198 V	0.63	0.056	0.50

7. Test run

7.1. Before test run

- ▶ After completing installation and the wiring and piping of the indoor and outdoor units, check for refrigerant leakage, looseness in the power supply or control wiring, wrong polarity, and no disconnection of one phase in the supply.
- ▶ Use a 500-volt megohmmeter to check that the resistance between the power supply terminals and ground is at least 1.0 MΩ.

- ▶ Do not carry out this test on the control wiring (low voltage circuit) terminals.
- ⚠ **Warning:**
Do not use the air conditioner if the insulation resistance is less than 1.0 MΩ.

Controller interface

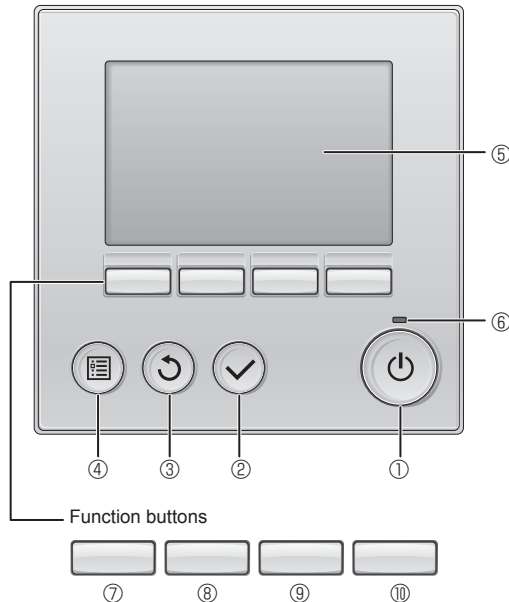


Fig. 7-1

7.2. Test run

The following 3 methods are available.

7.2.1. Using wired remote controller (Fig. 7-1)

- [ON/OFF] button**
Press to turn ON/OFF the indoor unit.
- [SELECT] button**
Press to save the setting.
- [RETURN] button**
Press to return to the previous screen.
- [MENU] button**
Press to bring up the Main menu.
- Backlit LCD**
Operation settings will appear.
When the backlight is off, pressing any button turns the backlight on and it will stay lit for a certain period of time depending on the screen.

When the backlight is off, pressing any button turns the backlight on and does not perform its function. (except for the [ON/OFF] button)
- ON/OFF lamp**
This lamp lights up in green while the unit is in operation. It blinks while the remote controller is starting up or when there is an error.
- Function button [F1]**
Main display: Press to change the operation mode.
Main menu: Press to move the cursor down.
- Function button [F2]**
Main display: Press to decrease temperature.
Main menu: Press to move the cursor up.
- Function button [F3]**
Main display: Press to increase temperature.
Main menu: Press to go to the previous page.
- Function button [F4]**
Main display: Press to change the fan speed.
Main menu: Press to go to the next page.

Step 1 Switch the remote controller to "Test run".

- ① Select "Service" from the Main menu, and press the [SELECT] button.
- ② When the Service menu is selected, a window will appear asking for the password. (Fig. 7-2)
To enter the current maintenance password (4 numerical digits), move the cursor to the digit you want to change with the [F1] or [F2] button, and set each number (0 through 9) with the [F3] or [F4] button. Then, press the [RETURN] button.

Note: The initial maintenance password is "9999". Change the default password as necessary to prevent unauthorized access. Have the password available for those who need it.

Note: If you forget your maintenance password, you can initialize the password to the default password "9999" by pressing and holding the [F1] and [F2] buttons simultaneously for three seconds on the maintenance password setting screen.

- ③ Select "Test run" with the [F1] or [F2] button, and press the [RETURN] button. (Fig. 7-3)
- ④ Select "Test run" with the [F1] or [F2] button, and press the [RETURN] button. (Fig. 7-4)

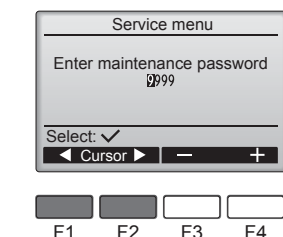


Fig. 7-2

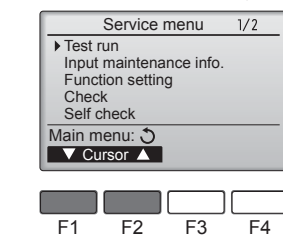


Fig. 7-3

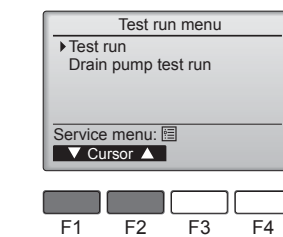


Fig. 7-4

7. Test run

Step 2 Perform the test run and check the airflow temperature and auto vane.

- ① Press the **F1** button to go through the operation modes in the order of "Cool" and "Heat". (Fig. 7-5)
Cool mode: Check the cold air blow off.
Heat mode: Check the heat blow off.
* Check the operation of the outdoor unit's fan.
- ② Press the **✓** button and open the Vane setting screen.

AUTO vane check

- ① Check the auto vane with the **F1** **F2** buttons. (Fig. 7-6)
- ② Press the **↺** button to return to "Test run" operation.
- ③ Press the **⏻** button.

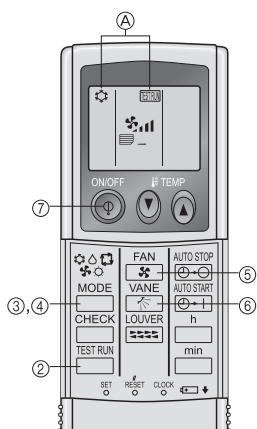


Fig. 7-7

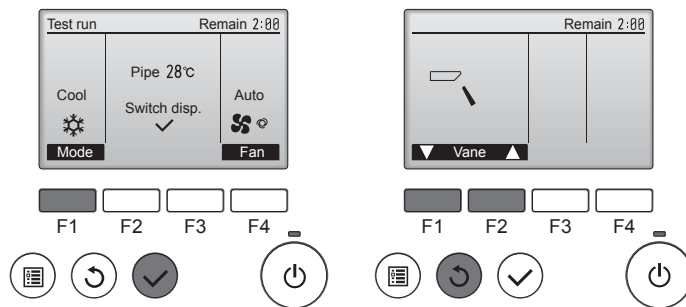


Fig. 7-5

Fig. 7-6

7.2.2. Using wireless remote controller (Fig. 7-7)

- ① Turn on the power to the unit at least 12 hours before the test run.
- ② Press the **TEST RUN** button twice continuously.
(Start this operation from the status of remote controller display turned off.)
(A) **TEST RUN** and current operation mode are displayed.
- ③ Press the **MODE** button to activate **COOL** mode, then check whether cool air is blown out from the unit.
- ④ Press the **MODE** button to activate **HEAT** mode, then check whether warm air is blown out from the unit.
- ⑤ Press the **FAN** button and check whether fan speed changes.
- ⑥ Press the **VANE** button and check whether the auto vane operates properly.
- ⑦ Press the **ON/OFF** button to stop the test run.

Note:

- Point the remote controller towards the indoor unit receiver while following steps ② to ⑦.
- It is not possible to run the in **FAN**, **DRY** or **AUTO** mode.

Inhaltsverzeichnis

1. Sicherheitsvorkehrungen.....	15	5. Verrohrung der Dranage.....	22
2. Aufstellort	16	6. Elektroarbeiten	23
3. Anbringung der Innenanlage	16	7. Testlauf.....	26
4. Installation der Kalttemittelrohrleitung	20		

Hinweis:

Der Begriff "Verdrahte Fernbedienung" in dieser Bedienungsanleitung bezieht sich auf den PAR-32MAA.

Entnehmen Sie weitere Informationen zur anderen Fernbedienung entweder dem in diesen Paketen beiliegenden Installationshandbuch oder Grundeinstellungshandbuch.

1. Sicherheitsvorkehrungen

- ▶ Vergewissern Sie sich vor dem Einbau der Anlage, dass Sie alle Informationen ber "Sicherheitsvorkehrungen" gelesen haben.
- ▶ Vor dem Anschlieen dieses Gerates an das Stromnetz Ihr Stromversorgungsunternehmen informieren oder dessen Genehmigung einholen.

⚠ Warnung:

Beschreibt Vorkehrungen, die beachtet werden mssen, um den Benutzer vor der Gefahr von Verletzungen oder tdlichen Unfallen zu bewahren.

⚠ Vorsicht:

Beschreibt Vorkehrungen, die beachtet werden mssen, damit an der Anlage keine Schaden entstehen.

Erlutern Sie dem Kunden nach Abschluss der Installationsarbeiten die "Sicherheitsvorkehrungen" sowie die Nutzung und Wartung der Anlage entsprechend den Informationen in der Bedienungsanleitung und fhren Sie einen Testlauf durch, um sicherzustellen, dass die Anlage ordnungsgema funktioniert. Geben Sie dem Benutzer sowohl die Installations- als auch die Bedienungsanleitung zur Aufbewahrung. Diese Anleitungen sind auch den nachfolgenden Besitzern der Anlage weiterzugeben.

⚠ Warnung:

- Bitten Sie Ihren Fachhandler oder einen geprften Fachtechniker, die Installation der Anlage vorzunehmen.
- Der Nutzer sollte keinesfalls versuchen, die Anlage selbst zu reparieren oder an eine andere Stelle zu transferieren.
- Die Anlage an einer Stelle anbringen, die das Gewicht tragen kann.
- Verwenden Sie zur Verdrahtung nur die angegebenen Kabel. Die Anschlsse mssen fest und sicher ohne Zugbelastung auf den Klemmen vorgenommen werden. Spleien Sie auerdem niemals die Kabel fr die Verdrahtung (auer es wird in diesem Dokument entsprechend angegeben). Wenn die Kabel falsch angeschlossen oder installiert sind, kann dies berhitzung oder einen Brand zur Folge haben.
- Nur von Mitsubishi Electric zugelassenes Zubehr verwenden, und dieses durch Ihren Handler oder eine Vertragswerkstatt einbauen lassen.
- Nicht die Rippen des Warmetauschers berhren.
- Die Anlage gema Anweisungen in diesem Installationshandbuch installieren.
- Alle Elektroarbeiten mssen entsprechend den rtlichen Vorschriften von zugelassenen Fachelektrikern ausgefhrt werden.
- Das Gerat muss entsprechend den rtlichen Vorschriften zur Verkabelung eingebaut werden.
- Wenn das Netzkabel beschdigt ist, muss er vom Hersteller, dem

⚠ Vorsicht:

- Bei Verwendung des Kalttemittels R410A die vorhandene Kalttemittelrohrleitung nicht benutzen.
- Bei Verwendung des Kalttemittels R410A, Ester-l, ther-l oder Alkylbenzin (geringe Mengen) zum Beschichten der Konus- und Flanschanschlsse verwenden.
- Anlage nicht an Orten verwenden, wo sich Lebensmittel, Tiere, Pflanzen, Prazisionswerkzeuge oder Kunstgegenstande befinden.
- Anlage nicht unter besonderen Umfeldbedingungen einsetzen.
- Erden Sie die Anlage.

⊘ : Beschreibt eine Handlung, die unterbleiben muss.

⚠ : Zeigt an, dass wichtige Anweisungen zu befolgen sind.

⚡ : Verweist auf einen Teil der Anlage, der geerdet werden muss.

⚠ : Zeigt an, dass bei rotierenden Teilen Vorsicht geboten ist.

⚡ : Zeigt an, dass vor Beginn der Wartungsarbeiten der Hauptschalter ausgeschaltet werden muss.

⚡ : Gefahr von elektrischem Schlag.

⚠ : Verbrennungsgefahr.

⚡ ELV : Bei der Wartung bitte Netzstrom sowohl fr die Innen- als auch fr die Auenanlage abschalten.

⚠ Warnung:

Sorgfaltig die auf der Hauptanlage aufgebrachten Aufschriften lesen.

entsprechenden Kundendienstmitarbeiter oder einer hnlich qualifizierten Person ersetzt werden, um Gefahrensituationen zu vermeiden.

- Wenn die Anlage in einem kleinen Raum installiert wird, mssen Manahmen ergriffen werden, damit die Kalttemittelkonzentration auch bei Kalttemittelaustritt den Sicherheitsgrenzwert nicht berschreitet.
- Die Schnittstellen der gestanzten Teile knnen Schnittverletzungen verursachen. Daher sind die Installateure aufgefordert, Schutzkleidung wie etwa Handschuhe, zu tragen.
- Beim Installieren oder Umsetzen oder Warten der Klimaanlage darf nur das angegebene Kalttemittel (R410A) zur Befllung der Kalttemittelleitungen verwendet werden. Vermischen Sie es nicht mit anderem Kalttemittel und lassen Sie nicht zu, dass Luft in den Leitungen zurckbleibt. Wenn sich Luft mit dem Kalttemittel vermischt, kann dies zu einem ungewhnlich hohen Druck in der Kalttemittelleitung fhren und eine Explosion oder andere Gefahren verursachen. Die Verwendung eines anderen als des fr das System angegebenen Kalttemittels fhrt zu mechanischem Versagen, einer Fehlfunktion des Systems oder einer Beschdigung des Gerats. Im schlimmsten Fall kann sie ein schwerwiegendes Hindernis fr die Aufrechterhaltung der Produktsicherheit darstellen.

- Einen Fehlerstromschutzschalter wie vorgesehen anbringen.
- Netzstromkabel mit ausreichender Stromstarke und Nennwertauslegung verwenden.
- Nur Stromunterbrecher und Sicherungen der angegebenen Leistung verwenden.
- Schalter nicht mit nassen Fingern berhren.
- Kalttemittelrohrleitung nicht wahrend oder unmittelbar nach Betrieb berhren.
- Klimagerate nicht bei abgenommenen Verkleidungen und Schutzabdeckungen betreiben.
- Netzstrom nicht unmittelbar nach Betriebsbeendigung ausschalten.

2. Aufstellort

■ PKFY-P-VKM-E

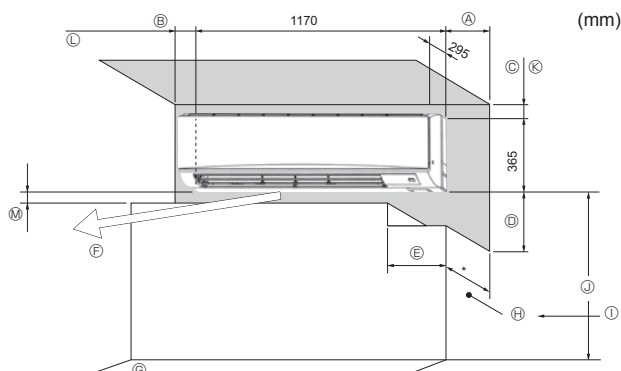


Fig. 2-1

2.1. Außenabmessungen (Innenanlage) (Fig. 2-1)

Wählen Sie einen geeigneten Aufstellort mit nachstehenden Freiräumen für Aufstellung und Wartung.

■ PKFY-P-VKM-E

(mm)

A	B	C	D	E
Min. 100,5	Min. 52,3	Min. 48	Min. 250	Min. 220

- Ⓕ Luftauslass: Verstellen Sie den Luftauslass nicht innerhalb eines Bereichs von 1500 mm.
- Ⓖ Bodenfläche
- Ⓗ Mobilier
- Ⓘ Wenn Gardinenstangen oder Ähnliches einen Wandabstand von mehr als 60 mm haben, sollte ein zusätzlicher Abstand eingehalten werden, weil der Lüfterstrom einen geschlossenen Kreislauf bilden könnte.
- Ⓚ 1800 mm oder mehr von der Bodenfläche (bei hoch gelegener Montage)
- Ⓛ 108 mm oder mehr mit Rohrleitung links, hinten links und optionaler Ablasspumpe
- Ⓜ 550 mm oder mehr mit optionaler Entleerungspumpe
- Ⓝ Minimal 7 mm; 265 mm oder mehr mit optionaler Entleerungspumpe

3. Anbringung der Innenanlage

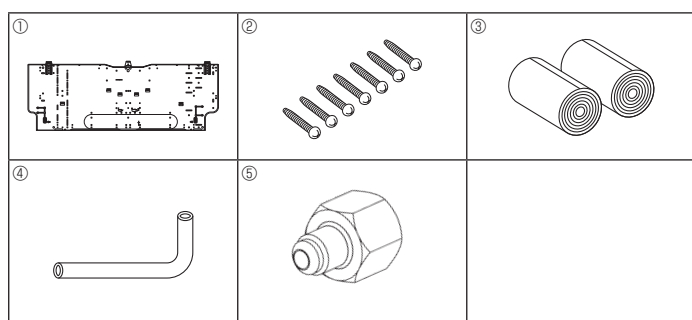


Fig. 3-1

3.1. Zubehörteile der Innenanlage prüfen (Fig. 3-1)

Zum Lieferumfang der Innenanlage gehört folgendes Sonderzubehör.

TEILENUMMER	ZUBEHÖR	MENGE		EINSTELLORT
		P63	P100	
①	Montageplatte	1	1	Hinten am Gerät anbringen
②	Blechschraube 4 × 25	7	7	
③	Filzband	2	2	
④	L-förmiges Anschlussrohr	1	1	
⑤	Auffüllmutter	1	1	

3.2. Anbringung der Wandbefestigungen

3.2.1. Festlegung der Wandbefestigungen und Rohrleitungspositionen

- ▶ Mit den Wandbefestigungen die Einbauposition und die Position der zu bohrenden Rohrleitungsöffnungen festlegen.

⚠ Warnung:

Bevor Sie ein Loch in die Wand bohren, müssen Sie den Bauherrn befragen.

■ PKFY-P-VKM-E (Fig. 3-2)

- Ⓐ Montageplatte ①
- Ⓑ Innenanlage
- Ⓒ Unterer Rohrdurchlass hinten links (ø 75-ø 80)
- Ⓓ Unterer Rohrdurchlass hinten rechts (ø 75-ø 80)
- Ⓔ Ausbrechöffnung für Durchlass hinten links (75 × 480)
- Ⓕ Schraubenöffnung (4-ø 9 Öffnung)
- Ⓖ Mittlere Messöffnung (ø 2,5 Öffnung)
- Ⓗ Gewindekernloch (75-ø 5,1 Öffnung)
- Ⓘ Lochmitte
- Ⓚ Skala mit der Linie ausrichten
- Ⓛ Skala einsetzen.

3.2.2. Die Löcher für die Rohrleitung bohren (Fig. 3-3)

- ▶ Verwenden Sie einen Kernbohrer, um parallel zum Verlauf der Rohrleitung eine Bohrung von 75 bis 80 mm im Durchmesser an der in der linken Abbildung gezeigten Position zu erstellen.
- ▶ Der Wanddurchbruch sollte geneigt sein, so daß die Öffnung an der Außenseite niedriger liegt als innen.
- ▶ Eine Innenauskleidung (mit einem Durchmesser von 75 mm und vor Ort zu beschaffen) in die Öffnung einsetzen.

Hinweis:

Der Wanddurchbruch muß schräg angebracht sein, damit ein guter Abfluß gewährleistet ist.

■ PKFY-P-VKM-E

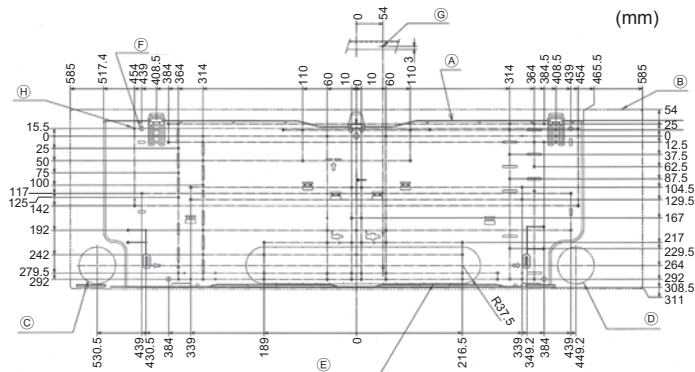


Fig. 3-2

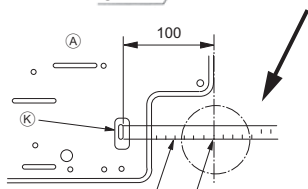


Fig. 3-2

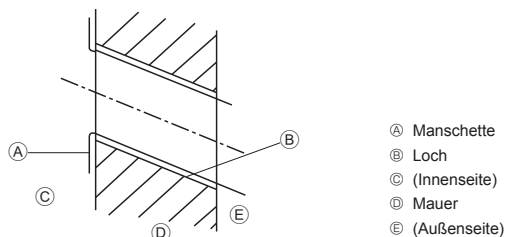


Fig. 3-3

3. Anbringung der Innenanlage

■ PKFY-P-VKM-E

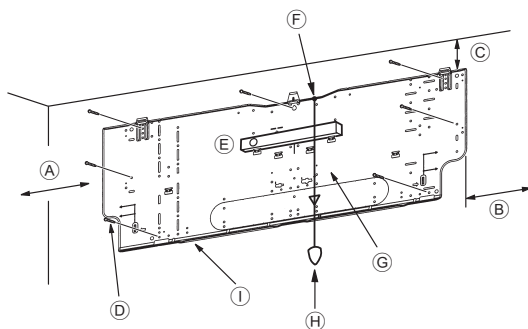


Fig. 3-4

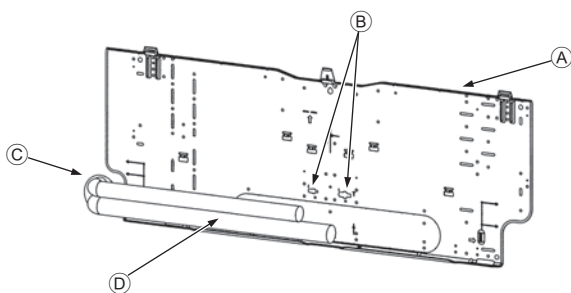


Fig. 3-5

■ PKFY-P-VKM-E

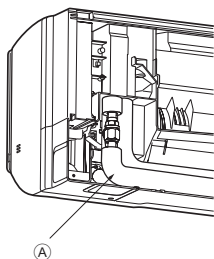


Fig. 3-6

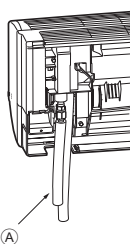


Fig. 3-7



Fig. 3-8

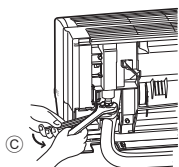


Fig. 3-9

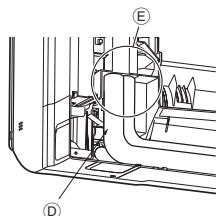


Fig. 3-10

3.2.3. Anbringung der Wandbefestigungen

- ▶ Da die Innenanlage fast 22 kg wiegt, muß der Aufstellungsort sorgfältig ausgesucht werden. Wenn die Wand nicht stark genug erscheint, diese vor dem Anbringen der Anlage mit Brettern oder Balken verstärken.
- ▶ Die Wandbefestigung muß, wenn möglich, an beiden Enden und in der Mitte gesichert sein. Niemals an einer einzigen Stelle oder in asymmetrischer Form befestigen.
(Wenn möglich, die Befestigung an allen durch einen fettgedruckten Pfeil markierten Stellen sichern.)

⚠ Warnung:

Wenn möglich, die Befestigung an allen Stellen, die mit einem fettgedruckten Pfeil markiert sind, sichern.

⚠ Vorsicht:

- Der Gerätekörper muß waagrecht montiert werden.
- An den mit ▲ markierten Löchern befestigen.

■ PKFY-P-VKM-E (Fig. 3-4)

- Ⓐ Min. 120 mm (617,6 mm oder mehr mit optionaler Entleerungspumpe)
- Ⓑ Min. 220 mm
- Ⓒ Min. 70 mm (130 mm oder mehr mit Rohrleitung links, hinten links oder unten links und optionaler Entleerungspumpe)
- Ⓓ Befestigungsschrauben (4 × 25) ②
- Ⓔ Waagrecht
- Ⓕ Ein Gewinde an der Bohrung befestigen.
- Ⓖ Halten Sie die Wasserwaage gegen die horizontale Bezugslinie der Montageplatte und bringen Sie sie waagrecht an. Hängen Sie ein Gewicht vom Gewinde und richten Sie es mit ⊥ EPK der Montageplatte aus, um ein waagrechtes Ausrichten zu ermöglichen.
- Ⓗ Gewicht
- Ⓘ Montageplatte ①

3.3. Wenn Rohre in der Wand verlegt werden (Fig. 3-5)

- Die Rohrleitungen liegen unten links.
 - Wenn die Kühlleitung, Abflussleitung, interne/externe Anschlussleitungen usw. im Vorab in der Wand verlegt werden, müssen die hervorstehenden Leitungen usw. zum Anschluss der Anlage möglicherweise gebogen und auf die richtige Länge zugeschnitten werden.
 - Verwenden Sie zum Zuschneiden der unter Putz verlegten Kühlleitung die Markierung an der Montageplatte als Bezugspunkt.
 - Erlauben Sie beim Verlegen der aus der Wand hervorstehenden Leitungen etwas Überlänge.
- Ⓐ Montageplatte ①
 - Ⓑ Bezugsmarkierung für Konusanschluss
 - Ⓒ Durchloch
 - Ⓓ Leitung vor Ort

3.4. Vorbereiten der Innenanlage

- * Im Vorab prüfen, weil die vorbereitenden Arbeiten abhängig von der Austrittsrichtung der Rohrleitung variieren können.
- * Rohrleitung stufenweise biegen und dabei die Basis des austretenden Leitungsbereichs beibehalten. (Die Rohrleitung wird durch abruptes Biegen verformt.)

■ PKFY-P-VKM-E

Anbringen des L-förmigen Anschlussrohrs ④

Rohrleitungen rechts, links und hinten (Fig. 3-6)

1. Entfernen Sie die Konusmutter und den Stopfen von der Innenanlage. (nur Gasrohr)
2. Tragen Sie Kältemaschinenöl auf die Oberfläche des aufgeweiteten Blechs auf. (Vorbereitung vor Ort)
3. Stellen Sie eine Schnellverbindung zur aufgeweiteten Öffnung in der Richtung, in der das L-förmige Anschlussrohr ④ herausgezogen wird, her.
4. Ziehen Sie die Konusmutter mit zwei Gabelschlüsseln fest. (Fig. 3-9)
Anziehkraft: 68 bis 82 N·m
5. Bringen Sie die Auffüllmutter ⑤ an der Flüssigkeitsseite der Rohrverbindung an und prüfen Sie den Bereich des L-förmigen Anschlussrohrs ④ auf eine etwaige Leckage.
Entfernen Sie die Auffüllmutter ⑤ nach Beendigung der Arbeiten.
Anziehkraft: 34 bis 42 N·m
6. Decken Sie den Aufweitungsanschluss mit der Rohrverkleidung des L-förmigen Anschlussrohrs ④ ab. (Fig. 3-10)
Ⓐ L-förmiges Anschlussrohr ④
Ⓑ Abschneideposition (gerader Rohrbereich)
Ⓒ Anziehrichtung
Ⓓ Mit Rohrverkleidung abdecken
Ⓔ Decken Sie den Bereich der Konusmutterverbindung mit der Rohrverkleidung ab.

Untere Rohrleitung (Fig. 3-7)

1. Scheiden Sie das L-förmige Anschlussrohr ④ an der angezeigten Stelle ab (Fig. 3-8).
2. Bringen Sie die vorher entfernte Konusmutter am geraden Teil des L-förmigen Anschlussrohrs ④ und dann am aufgeweiteten Rohrende an.
3. Entfernen Sie die Konusmutter und den Stopfen von der Innenanlage. (nur Gasrohr)
4. Tragen Sie Kältemaschinenöl auf die Oberfläche des aufgeweiteten Blechs auf. (Vorbereitung vor Ort)
5. Schließen Sie das wie in Teil 2) beschriebene vorbereitete, L-förmige Anschlussrohr ④ schnell an der aufgeweiteten Anschlussöffnung der Innenanlage an.
6. Ziehen Sie die Konusmutter mit zwei Gabelschlüsseln fest. (Fig. 3-9)
Anziehkraft: 68 bis 82 N·m
7. Bringen Sie die Auffüllmutter ⑤ an der Flüssigkeitsseite der Rohrverbindung an und prüfen Sie den Bereich des L-förmigen Anschlussrohrs ④ auf eine etwaige Leckage.
Entfernen Sie die Auffüllmutter ⑤ nach Beendigung der Arbeiten.
Anziehkraft: 34 bis 42 N·m
8. Decken Sie den Aufweitungsanschluss mit der Rohrverkleidung des L-förmigen Anschlussrohrs ④ ab. (Fig. 3-10)

3. Anbringung der Innenanlage

Leckageprüfung im Anschlussbereich des L-förmigen Anschlussrohrs

1. Bringen Sie die Auffüllmutter ⑤ auf der Seite des Flüssigkeitsrohrs an.
Anziehkraft: 34 bis 42 N·m
2. Beaufschlagen Sie die Leitung durch Füllen mit Stickstoffgas über die Auffüllmutter.
Beaufschlagen Sie die Leitung nicht plötzlich bis zum konstanten Druck. Stufenweise mit Druck beaufschlagen.
 - 1) Bauen Sie einen Druck von 0,5 MPa (5 kgf/cm²G) auf, warten Sie fünf Minuten, und vergewissern Sie sich dann, daß der Druck nicht abfällt.
 - 2) Bauen Sie einen Druck von 1,5 MPa (15 kgf/cm²G) auf, warten Sie fünf Minuten, und vergewissern Sie sich dann, daß der Druck nicht abfällt.
 - 3) Bauen Sie einen Druck von 4,15 MPa (41,5 kgf/cm²G) auf und messen Sie Umgebungstemperatur und Kältemitteldruck.
3. Wenn der angegebene Druck einen Tag lang gehalten wird und nicht abfällt, haben die Rohre den Test bestanden, und es entweicht keine Luft.
 - Wenn sich die Umgebungstemperatur um 1°C ändert, ändert sich dabei der Druck um etwa 0,01 MPa (0,1 kgf/cm²G). Nehmen Sie die erforderlichen Korrekturen vor.
4. Wenn der Druck in den Schritten (2) oder (3) abfällt, entweicht Gas. Suchen Sie nach der Gasaustrittsstelle.

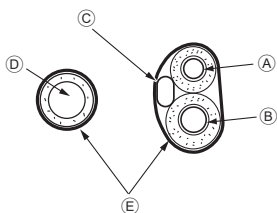


Fig. 3-11

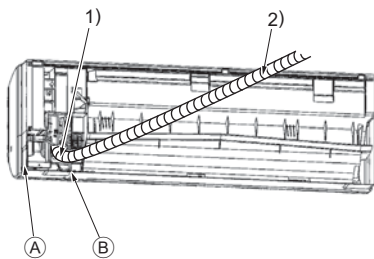


Fig. 3-12

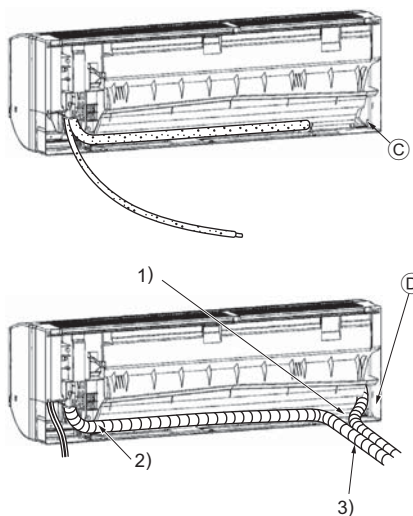


Fig. 3-13

Herausziehen und Handhaben von Rohr- und Kabelleitungen (Fig. 3-11)

1. Kabelanschluss der Innen-/Außenanlage → Siehe Seite. 21.
 2. Umwickeln Sie den Bereich der Kältemittel- und Abflussleitung, die im Leitungsbereich innerhalb der Innenanlage untergebracht werden, mit dem Filzband ③.
 - Umwickeln Sie die Kältemittel- und Abflussleitung von der Basis aus fest mit dem Filzband ③.
 - Wickeln Sie das Filzband ③ so, dass sich die Lagen um die Hälfte der Bandbreite überlappen.
 - Sichern Sie das Ende der Wickellagen mit Vinylband.
- Ⓐ Flüssigkeitsrohr
 Ⓑ Gasrohr
 Ⓒ Innen-/Außenanlagenanschlusskabel
 Ⓓ Abflussschlauch
 Ⓔ Filzband ③
3. Achten Sie darauf, dass der Abflussschlauch nicht ansteigt und dass er nicht in Kontakt mit dem Gehäuse der Innenanlage kommt.
Ziehen Sie nicht zu fest am Abflussschlauch, da er sich lösen könnte.

Rohrleitungen hinten rechts und unten (Fig. 3-12)

- 1) Achten Sie darauf, dass der Abflussschlauch nicht ansteigt und dass er nicht in Kontakt mit dem Gehäuse der Innenanlage kommt. Ordnen Sie den Abflussschlauch an der Unterseite der Rohrleitung an und umwickeln Sie ihn mit dem Filzband ③.
- 2) Umwickeln Sie die Leitung von der Basis aus fest mit dem Filzband ③. (Wickeln Sie das Filzband so, dass sich die Lagen um die Hälfte der Bandbreite überlappen.)
 - Ⓐ Für rechte Leitung abschneiden.
 - Ⓑ Für untere Leitung abschneiden.

Rohrleitungen links und hinten links (Fig. 3-13)

4. Abflussschlauch ersetzen → Siehe 6. Verrohrung der Drainage
Achten Sie darauf, den Abflussschlauch und den Abflusstopfen für die linke und hintere linke Rohrleitung anzubringen. Wenn diese Teile nicht installiert oder ersetzt werden, kann Wasser austreten.
 - Ⓒ Abflusstopfen
- 1) Achten Sie darauf, dass der Abflussschlauch nicht ansteigt und dass er nicht in Kontakt mit dem Gehäuse der Innenanlage kommt.
- 2) Umwickeln Sie die Leitung von der Basis aus fest mit dem Filzband ③. (Wickeln Sie das Filzband so, dass sich die Lagen um die Hälfte der Bandbreite überlappen.)
- 3) Sichern Sie das Ende des Filzbands ③ mit Vinylband.
 - Ⓓ Für linke Leitung abschneiden.

3. Anbringung der Innenanlage

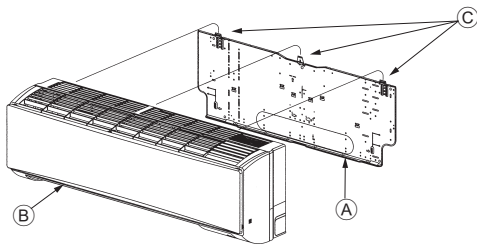


Fig. 3-14

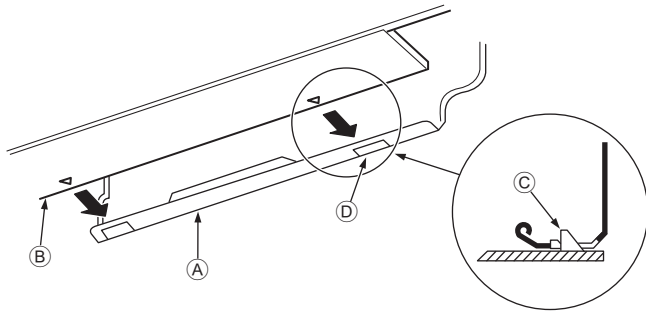


Fig. 3-15

■ PKFY-P-VKM-E

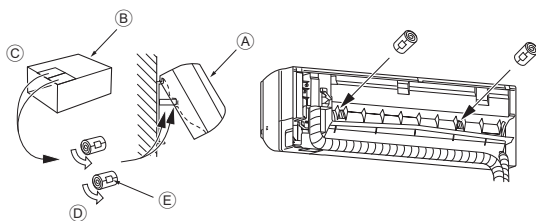


Fig. 3-16

3.5. Montieren der Innenanlage

1. Befestigen Sie die Montageplatte ① an der Wand.
2. Hängen Sie die Innenanlage an den Haken am oberen Teil der Montageplatte.

Rohrleitungen hinten rechts und unten (Fig. 3-14)

3. Hängen Sie den oberen Teil der Innenanlage an die Montageplatte ①, während Sie die Kältemittelleitung und das Abflussrohr in die Wandöffnung (Tülle) einführen.
 4. Bewegen Sie die Innenanlage nach links und rechts und vergewissern Sie sich, dass sie sicher aufgehängt ist.
 5. Befestigen Sie die Innenanlage, indem Sie sie gegen die Montageplatte ① drücken. (Fig. 3-15)
- * Vergewissern Sie sich, dass die Knöpfe unten an der Innenanlage sicher in die Montageplatte ① eingehängt sind.
6. Vergewissern Sie sich nach der Installation, dass die Innenanlage waagrecht montiert ist.

- ① Montageplatte
- ② Innenanlage
- ③ Haken
- ④ Rechteckige Öffnung

Rohrleitungen links und hinten links (Fig. 3-16)

3. Hängen Sie den oberen Teil der Innenanlage an die Montageplatte ①, während Sie das Abflussrohr in die Wandöffnung (Tülle) einführen.
- Achten Sie auf das verstaute Rohr, schieben Sie die Einheit vollständig nach links, schneiden Sie einen Teil des Verpackungskartons aus und rollen Sie ihn zu einem Zylinder, wie in der Abbildung dargestellt. Haken Sie diese Rollen hinten an den Oberflächenrippen ein und heben Sie die Innenanlage an.
4. Schließen Sie die Kältemittelleitung an der Kältemittelleitung vor Ort an.
 5. Befestigen Sie die Innenanlage, indem Sie sie gegen die Montageplatte ① drücken.
- * Vergewissern Sie sich, dass die Knöpfe unten an der Innenanlage sicher in die Montageplatte ① eingehängt sind.
6. Vergewissern Sie sich nach der Installation, dass die Innenanlage waagrecht montiert ist.

- ① Innenanlage
- ② Verpackungskarton
- ③ Abschneiden
- ④ Zu einem Zylinder aufrollen
- ⑤ Mit Band sichern

4. Installation der Kältemittelrohrleitung

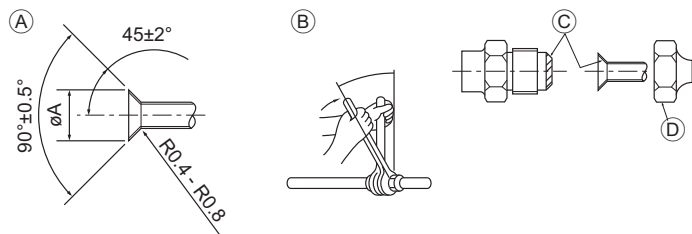


Fig. 4-1

(A) Abmessungen der Aufweitungsschnitte

Kupferrohr O.D. (mm)	Aufweigungsabmessungen ØA Abmessungen (mm)
Ø9,52	12,8 - 13,2
Ø15,88	19,3 - 19,7
Ø19,05	22,9 - 23,3

- (B) Größe der Kältemittelrohre und Anziehmoment für die Bördelmutter
 (C) Tragen Sie kein Kältemaschinenöl an den Schraubenbereichen auf. (Dies bewirkt, dass die Bördelmutter sich eher lösen.)
 (D) Achten Sie darauf, die an der Haupteinheit angebrachten Bördelmutter zu verwenden. (Bei Verwendung handelsüblicher Produkte kann es zu Rissbildungen kommen.)

	R410A				Konusmutter O.D.	
	Flüssigkeitsrohrleitung		Gasrohrleitung		Flüssigkeitsrohrleitung (mm)	Gasrohrleitung (mm)
	Rohrgröße (mm)	Anzugsdrehmoment (N·m)	Rohrgröße (mm)	Anzugsdrehmoment (N·m)		
P63	ODØ9,52	34 - 42	ODØ15,88	68 - 82	22	29
P100	ODØ9,52	34 - 42	ODØ15,88	68 - 82	22	29

(E) Tragen Sie Kältemaschinenöl auf die gesamte Konusaufgabe auf.

4.1. Rohranschlüsse (Fig. 4-1)

- Wenn im Handel erhältliche Kupferrohre verwendet werden, Flüssigkeits- und Gasrohre mit im Handel erhältlichem Isoliermaterial (Hitzebeständig bis 100 °C und mehr, Stärke 12 mm oder mehr) umwickeln.
- Die in der Anlage befindlichen Teile der Ablassrohre sollten mit Isoliermaterial aus Schaumstoff (spezifisches Gewicht 0,03 - 9 mm oder stärker) umwickelt werden.
- Vor dem Anziehen der Konusmutter eine dünne Schicht Kältemittel-Öl auf das Rohr und auf die Oberfläche des Sitzes an der Nahtstelle auftragen.
- Mit zwei Schraubenschlüsseln die Rohrleitungsanschlüsse fest anziehen.
- Die Anschlüsse der Innenanlage mit dem mitgelieferten Isoliermaterial für die Kältemittelrohrleitung isolieren. Beim Isolieren sorgfältig vorgehen.

⚠ Warnung:

Schließen Sie die Kältemittelleitungen beim Installieren des Geräts fest an, bevor Sie den Kompressor einschalten.

■ PKFY-P-VKM-E

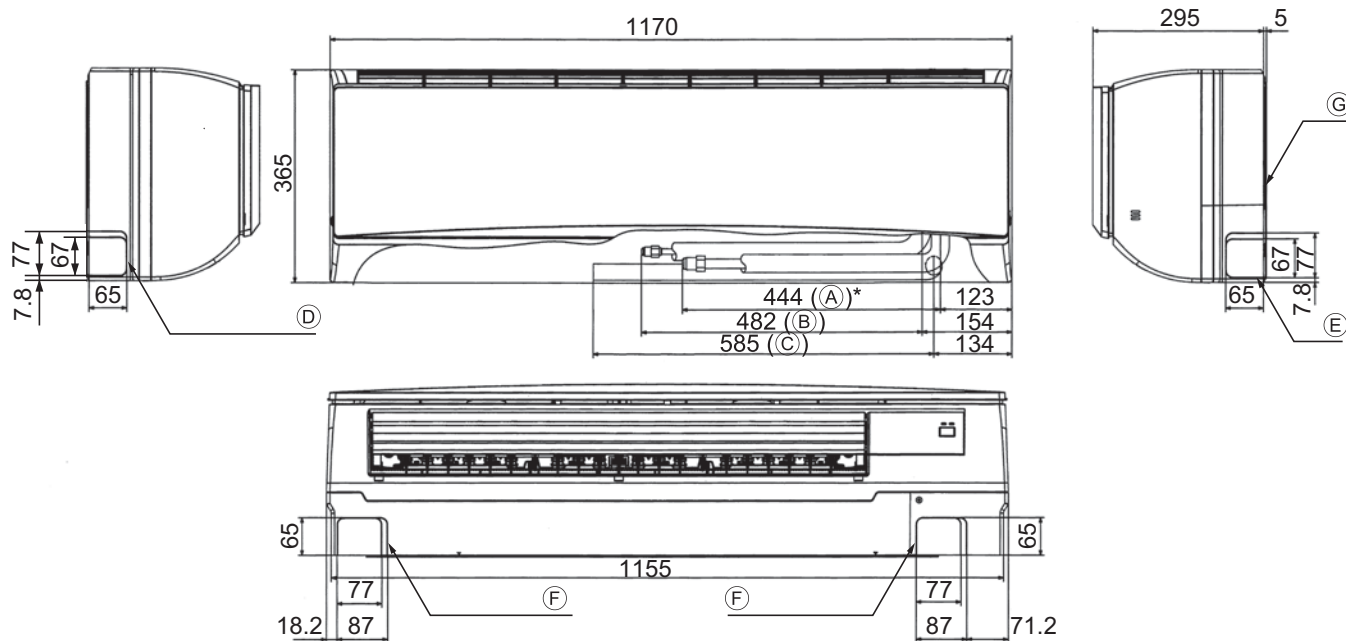


Fig. 4-2

4.2. Anordnung der Kältemittel- und Ablaufrohrleitungen (Fig. 4-2)

■ PKFY-P-VKM-E

- (A) Gasrohr * Verweist auf den Zustand mit angeschlossenen Zubehör.
- (B) Flüssigkeitsrohr
- (C) Ablaufschlauch
- (D) Ausschlagöffnung für linke Rohrleitung
- (E) Ausschlagöffnung für rechte Rohrleitung
- (F) Ausschlagöffnung für untere Rohrleitung
- (G) Montageplatte ①

4. Installation der Kältemittelrohrleitung

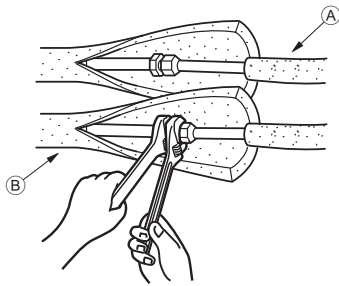


Fig. 4-3

■ PKFY-P-VKM-E

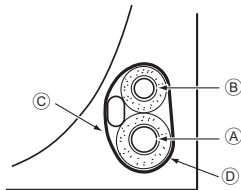


Fig. 4-4

4.3. Rohrleitungen für Kältemittel (Fig. 4-3)

Innenanlage

1. Die Konusmutter und den Deckel der Innenanlage abnehmen.
2. Flüssigkeits- und Gasrohr am Ende aufweiten und Kältemaschinenöl (beim Fachhändler vor Ort zu beschaffen) auf die Oberfläche des aufgeweiteten Blechs auftragen.
3. Die Kühlleitung des Hausanschlusses schnell an die Anlage anschließen.
4. Die Rohrleitungsabdeckung, die am Gasrohr angebracht ist, herumwickeln und darauf achten, daß die Anschlußstelle nicht sichtbar ist.
5. Die Rohrleitungsabdeckung der Flüssigkeitsrohrleitung der Anlage herumwickeln und sicherstellen, daß sie das Isoliermaterial der Flüssigkeitsrohrleitung des Hausanschlusses abdeckt.
6. Die Verbindungsstelle des Isoliermaterials wird mit Band abgedichtet.

- Ⓐ Kältemittelleitung vor Ort
- Ⓑ Geräteseitige Kältemittelleitung

4.3.1. Verstauen im Rohrleitungsraum der Anlage (Fig. 4-4)

1. Umwickeln Sie den Bereich der Kältemittelleitung, der im Rohrleitungsraum der Anlage untergebracht wird mit dem mitgelieferten Filzband, um eine Tropfenbildung zu verhindern.
2. Wickeln Sie das Filzband so, dass sich die Lagen um die Hälfte der Bandbreite überlappen.
3. Sichern Sie das Ende der Wickellagen mit Vinylband usw.

- Ⓐ Gasrohr
- Ⓑ Flüssigkeitsrohr
- Ⓒ Innen-/Außenanlageanschlusskabel
- Ⓓ Filzband ②

5. Verrohrung der Dränage

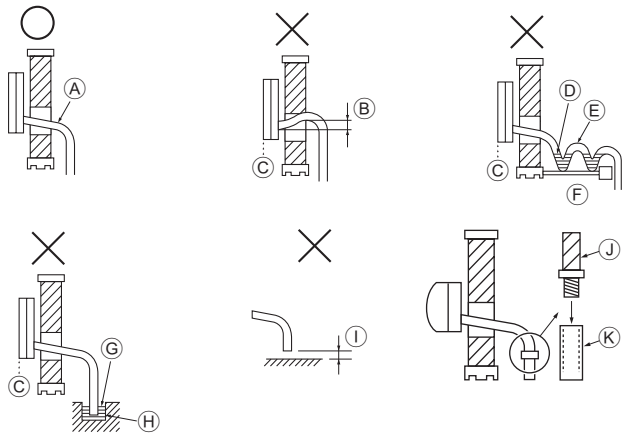


Fig. 5-1

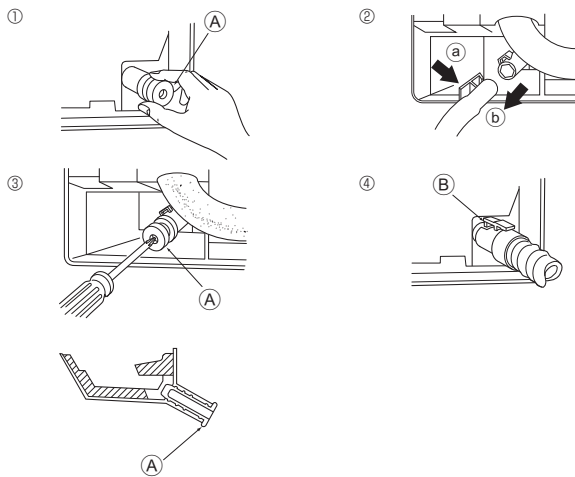


Fig. 5-2

■ PKFY-P-VKM-E

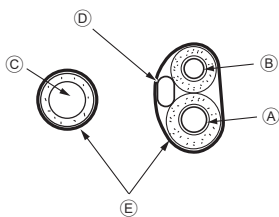


Fig. 5-3

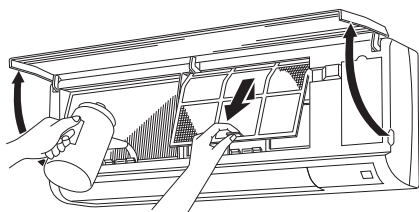


Fig. 5-4

5.1. Verrohrung der Dränage (Fig. 5-1)

- Abflusrohre sollten eine Neigung von 1/100 oder mehr aufweisen.
- Zur Verlängerung der Auslauf-/Dränagerohrleitung einen im Handel erhältlichen biegsamen Schlauch (Innendurchmesser 15 mm) oder ein Rohr aus Hartvinylchlorid (VP-16/O.D. ø22 PVC Rohr) verwenden. Darauf achten, daß an den Anschlußstellen kein Wasser austritt.
- Abflusrohrleitung nicht direkt in einen Drängraben, in dem sich Schwefeldämpfe bilden können, münden lassen.
- Nach Abschluß der Rohrverlegung vergewissern, daß Wasser aus dem Ende des Abflusrohres herausfließt.

⚠ Vorsicht:

Das Abflusrohr sollte gemäß Angaben im Installationshandbuch eingebaut werden, um einwandfreie Dränage zu gewährleisten. Thermoisolierung der Abflusrohre ist notwendig, um Bildung von Kondenswasser zu verhindern. Wenn die Abflusrohre nicht vorschriftsmäßig installiert und isoliert wurden, kann Kondenswasser auf die Zimmerdecke, den Boden oder sonstiges Inventar tropfen.

- Ⓐ Nach unten geneigt
- Ⓑ Muss niedriger als die Auslassstelle liegen
- Ⓒ Wasserleckage
- Ⓓ Eingeschlossene Drainage
- Ⓔ Luft
- Ⓕ Gewellt
- Ⓖ Das Ende des Abflusrohres liegt unter Wasser.
- Ⓗ Abflussrinne
- Ⓛ 5 cm oder weniger zwischen dem Ende des Abflusrohres und der Erde.
- Ⓜ Abflussschlauch
- Ⓝ Weich-PVC-Schlauch (15 mm Innendurchmesser) oder Hart-PVC-Rohr (VP-16)
- * Mit PVC-Kleber bondieren

Vorbereitung der Rohrleitung links und links hinten (Fig. 5-2)

- ① Den Ablassdeckel abnehmen
- Den Ablassdeckel abnehmen, indem das am Ende des Rohres herausstehende Teil erfaßt und herausgezogen wird.
 - Ⓐ Ablassdeckel
- ② Den Ablassschlauch abnehmen
- Den Ablassschlauch abnehmen, indem man den Boden des Schlauchs ② (durch Pfeil gekennzeichnet) erfaßt und zu sich hin zieht ②.
- ③ Den Ablassdeckel einsetzen
- Einen Schraubenzieher in das Loch am Ende des Rohres einführen und darauf achten, in Richtung des Bodens des Ablassdeckels zu drücken.
- ④ Den Ablassschlauch einführen
- Den Ablassschlauch schieben bis er sich am Boden des Anschlußausgangs des Ablasskastens befindet.
- Bitte dafür sorgen, daß der Haken des Ablassschlauchs sachgerecht über dem überstehenden Anschlußausgang des Ablasskastens angebracht ist.
 - Ⓑ Haken

◆ Verstauen im Rohrleitungsraum der Innenanlage (Fig. 5-3)

- * Achten Sie darauf, den Abflussschlauch mit im Handel erhältlichem Isoliermaterial zu umhüllen, falls er in Innenräumen verlegt wird.
- * Bündeln Sie den Abflussschlauch und die Kältemittelleitung und umwickeln Sie sie mit dem mitgelieferten Filzband ③.
- * Wickeln Sie das Filzband ③ so, dass sich die Lagen um die Hälfte der Bandbreite überlappen.
- * Sichern Sie das Ende der Wickellagen mit Vinylband usw.

- Ⓐ Gasrohr
- Ⓑ Flüssigkeitsrohr
- Ⓒ Abflussschlauch
- Ⓓ Innen-/Außenanlagenanschlusskabel
- Ⓔ Filzband ③

◆ Prüfen der Drainage (Fig. 5-4)

1. Öffnen Sie das Frontgitter und entfernen Sie den Filter.
2. Füllen Sie langsam Wasser ein, während Sie den Rippen des Wärmetauschers zugewandt sind.
3. Bringen Sie nach der Drainageprüfung den Filter wieder an und schließen Sie das Gitter.

6. Elektroarbeiten

■ PKFY-P-VKM-E

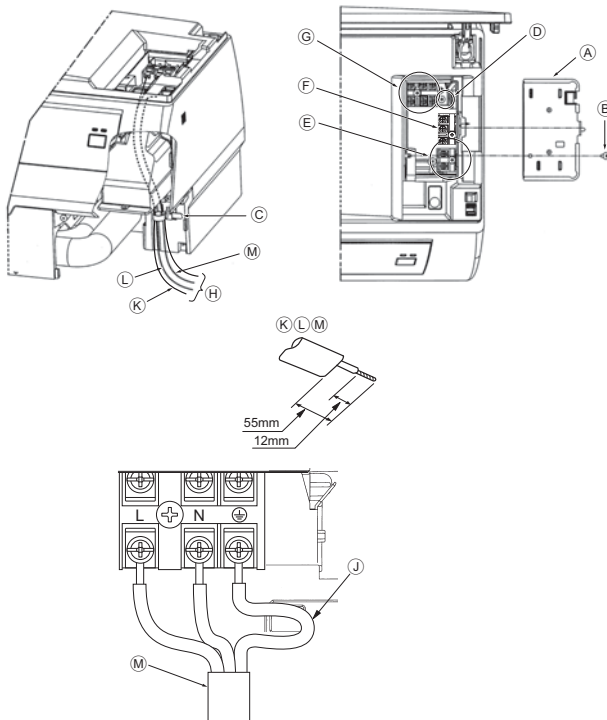


Fig. 6-1

6.1. Elektroarbeiten

■ PKFY-P-VKM-E (Fig. 6-1)

Der Anschluss kann ohne Entfernen der Frontverkleidung erfolgen.

1. Öffnen Sie das Frontgitter, entfernen Sie die Schraube (1 Stück) und entfernen Sie die Abdeckung der Elektroteile.
2. Schließen Sie jeden Draht sicher an der Klemmleiste an.
* Erlauben Sie zu Wartungszwecken eine Überlänge der Drähte.
* Gehen Sie bei der Verwendung von Litzendraht sorgfältig vor, da lose Drähte einen Kurzschluss verursachen können.
3. Bringen Sie die vorher entfernten Teile wieder in ihrer ursprünglichen Position an.
4. Befestigen Sie jeden Draht mit der Klemme unter dem Elektroteilekasten.

- Ⓐ Abdeckung des Elektrokastens
- Ⓑ Befestigungsschraube
- Ⓒ Klemme
- Ⓓ Erdungskabelanschlussbereich
- Ⓔ MA-Fernbedienungsanschlussklemme: (1, 2) sind nicht gepolt
- Ⓕ Senderanschlussklemme: (M1, M2, S) sind nicht gepolt
- Ⓖ Stromversorgungsanschlussklemme (L, N, Erde)
- Ⓗ Kabel
- Ⓙ Erdungskabelanschlussbereich: Schließen Sie das Erdungskabel in der im Diagramm dargestellten Richtung an.
- Ⓚ Fernbedienungskabel
- Ⓛ Übertragungskabel
- Ⓜ Stromversorgungskabel

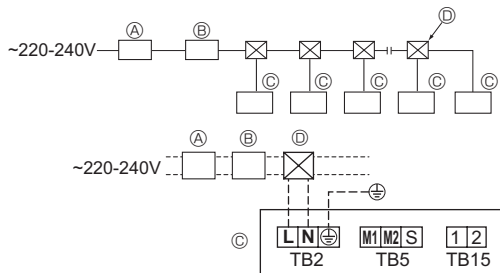


Fig. 6-2

6.2. Verkabelung der Stromversorgung

- Die Größe der Elektroleitung muß den jeweiligen örtlichen und nationalen gesetzlichen Vorschriften entsprechen.
- Das Stromversorgungskabel des Geräts darf nicht leichter als 245 IEC 53 oder 227 IEC57, 245 IEC 53 oder 227 IEC 53 sein.
- Installieren Sie ein Erdungskabel, welches länger als die anderen Kabel ist.
- Vom Klimageräteinstallateur ist ein Schalter mit einem Kontaktabstand von mindestens 3 mm (1/8 Zoll) zwischen den Polen bereitzustellen.

[Fig.6-2]

- Ⓐ FI-Schutzschalter
- Ⓑ Lokaler Schalter/Kabelschutzschalter
- Ⓒ Innengerät
- Ⓓ Einziehdose

⚠ Warnung:

Spleißen Sie niemals das Netzkabel oder das Verbindungskabel zwischen Innenaggregat und Außengerät, da es andernfalls zu Rauchentwicklung, einem Brand oder einem Kommunikationsfehler kommen kann.

6. Elektroarbeiten

Gesamtbetriebsstrom des Innengeräts	Minimaler Kabelquerschnitt (mm ²)			FI-Schutzschalter *1	Lokaler Schalter (A)		Kabelschutzschalter (NFB)
	Hauptkabel	Zweig	Erde		Kapazität	Sicherung	
F0 = 16 A oder weniger *2	1,5	1,5	1,5	Stromempfindlichkeit von 20 A *3	16	16	20
F0 = 25 A oder weniger *2	2,5	2,5	2,5	Stromempfindlichkeit von 30 A *3	25	25	30
F0 = 32 A oder weniger *2	4,0	4,0	4,0	Stromempfindlichkeit von 40 A *3	32	32	40

Entsprechend IEC61000-3-3 über die maximal zulässige Systemimpedanz.

*1 Der FI-Schutzschalter sollte einen Wechselrichterkreis unterstützen.

Der FI-Schutzschalter sollte mit dem lokalen Schalter oder Kabelschutzschalter zusammenarbeiten.

*2 Ziehen Sie als Wert für F0 den größeren F1- oder F2-Wert heran.

F1 = Max. Gesamtbetriebsstrom der Innengeräte × 1,2

F2 = {V1 × (Anzahl von Typ1)/C} + {V1 × (Anzahl von Typ2)/C} + {V1 × (Anzahl von Typ3)/C} + {V1 × (Anzahl anderer Geräte)/C}

Innengerät	V1	V2
Typ 1 PLFY-VBM, PMFY-VBM, PEFY-VMS, PFFY-VKM, PCFY-VKM, PKFY-VHM, PKFY-VKM, PLFY-VCM	18,6	2,4
Typ 2 PEFY-VMA	38	1,6
Typ 3 PEFY-VMHS	13,8	4,8
Sonstiges Anderes Innengerät	0	0

C: Mehrfaches des Auslösestroms bei einer Auslösezeit von 0,01 s
Entnehmen Sie "C" aus den Auslöseeigenschaften der Sicherung.

<Beispiel der Berechnung von "F2">

*Bedingung PEFY-VMS × 4 + PEFY-VMA × 1, C = 8 (siehe Beispieltabelle rechts)

F2 = 18,6 × 4/8 + 38 × 1/8

= 14,05

→ 16-A-Sicherung (Auslösestrom = 8 × 16 A bei 0,01 s)

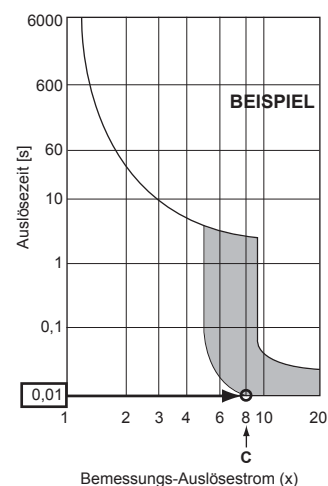
*3 Die Stromempfindlichkeit wird anhand der folgenden Formel berechnet.

G1 = V2 × (Anzahl von Typ1) + V2 × (Anzahl von Typ2) + V2 × (Anzahl von Typ3) + V2 × (Anzahl anderer Geräte)
+ V3 × (Kabellänge[km])

G1	Stromempfindlichkeit
30 oder weniger	30 mA 0,1 Sek. oder weniger
100 oder weniger	100 mA 0,1 Sek. oder weniger

Kabelquerschnitt	V3
1,5 mm ²	48
2,5 mm ²	56
4,0 mm ²	66

Beispieltabelle



6.3. Steuerkabelarten

1. Übertragungskabel

Übertragungskabeltypen	Abgeschirmtes Kabel, CVVS oder CPEVS
Kabeldurchmesser	Mehr als 1,25 mm ²
Länge	Weniger als 200 m

2. Kabel der M-NET-Fernbedienung

Art des Fernbedienungskabels	Abgeschirmte Elektroleitungen MVVS
Kabeldurchmesser	Mehr als 0,5 bis 1,25 mm ²
Länge	An jeder Stelle über 10 m bis zur maximal zulässigen Übertragungskabellänge von 200 m.s

3. Kabel der MA-Fernbedienung

Art des fernbedienungskabels	2-adriges kabel (nicht abgeschirmt)
Kabeldurchmesser	0,3 bis 1,25 mm ²
Länge	Weniger als 200 m

6. Elektroarbeiten

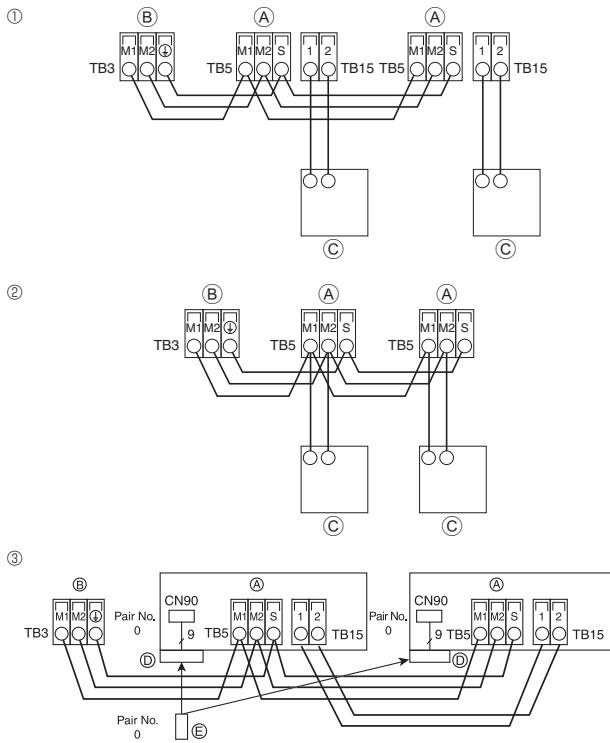


Fig. 6-3

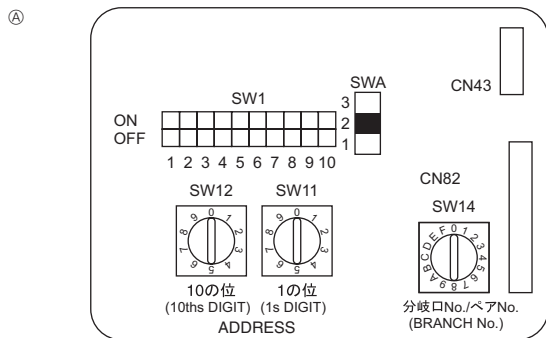


Fig. 6-4

6.4. Anschluss der Fernbedienungs-, Innen- und Außenübertragungskabel (Fig. 6-3)

- Anschluss der Innenanlage TB5 und der Außenanlage TB3. (2-adrig, nichtpolarisiert) Das "S" auf der Innenanlage TB5 ist ein abgeschirmter Leitungsanschluss. Angaben über die technischen Daten der Anschlusskabel finden sich in den Montagehandbüchern der Außenanlage.
- Eine Fernbedienung entsprechend den Angaben im zur Fernbedienung gehörenden Handbuch installieren.
- Das Übertragungskabel der Fernbedienung mit einem Kernaderkabel von 0,75 mm² und einer Länge bis zu 10 m anschließen. Wenn die Entfernung mehr als 10 m beträgt, ein Verbindungskabel von 1,25 mm² verwenden.

① MA-Fernbedienung

- "1" und "2" am TB15 der Innenanlage an eine MA-Fernbedienung anschließen (2-adrig, nichtpolarisiert).
- 9 bis 13 V Gleichstrom zwischen 1 und 2 (MA-Fernbedienung)

② M-NET-Fernbedienung

- "M1" und "M2" am TB5 der Innenanlage an eine M-NET-Fernbedienung anschließen (2-adrig, nichtpolarisiert).
- 24 bis 30 V Gleichstrom zwischen M1 und M2 (M-NET-Fernbedienung)

③ Kabellose Fernbedienung (bei Installation des kabellosen Signalempfängers)

- Schließen Sie das (9-polige) Kabel des kabellosen Signalempfängers an CN90 der Steuerkarte des Innengeräts an.

- Wenn mehr als zwei Geräte mit der Gruppensteuerung über die kabellose Fernsteuerung betrieben werden, schließen Sie TB15 jeweils an der gleichen Klemme an.

- Weitere Informationen zur Änderung der Einstellung „Pair No.“ finden Sie im Installationshandbuch der kabellosen Fernbedienung. (Die Standardeinstellung für das Innengerät und die kabellose Fernbedienung ist Pair No. = 0.)

- Ⓐ Klemmleiste für das Innen-Übertragungskabel
- Ⓑ Klemmleiste für das Außen-Übertragungskabel (M1(A), M2(B), ⊕(S))
- Ⓒ Fernbedienung
- Ⓓ Kabelloser Signalempfänger
- Ⓔ Kabellose Fernbedienung

6.5. Adressen einsetzen (Fig. 6-4)

(Dafür sorgen, dass bei den Arbeiten der Netzstrom auf AUS geschaltet ist.)

- Zur Einstellung gibt es zwei Arten von Rotationsschaltern: Zur Einstellung der Adressen von 1 bis 9 und über 10 sowie zur Einstellung der Abzweigungsnummern.

① Einstellen von Adressen

Beispiel: Wenn die Adresse „3“ ist, SW12 (für mehr als 10) auf „0“ lassen und SW11 (für 1 bis 9) an „3“ anpassen.

② Einstellen von Zweignummern SW14 (nur R2-Serie)

Passen Sie die Kältemittelleitung des Innengeräts an die Endanschlussnummer der BC-Steuerung an. Bei anderen als der R2-Serie auf „0“ lassen.

- Alle Drehschalter werden werksseitig auf „0“ eingestellt. Geräteadressen und Zweignummern lassen sich mit diesen Schaltern beliebig einstellen.
- Das Festlegen von Innengeräteadressen variiert je nach dem vor Ort verwendeten System. Beziehen Sie sich zum Einstellen auf das Datenbuch.

6.6. Messen der Raumtemperatur mit dem eingebauten Sensor einer Fernbedienung

Wenn Sie die Raumtemperatur mit dem eingebauten Sensor einer Fernbedienung messen wollen, stellen Sie SW1-1 an der Schalttafel auf „ON“. Durch entsprechendes Einstellen von SW1-7 und SW1-8 kann der Luftstrom auch dann angepasst werden, wenn das Heizungsthermometer auf OFF gestellt ist.

6.7. Elektrische Eigenschaften

Symbole: MCA: Max. Strombelastbarkeit (= 1,25×FLA) FLA: Volllaststrom
IFM: Innenventilatormotor Ausgang: Nennleistung des Ventilator motors

Modell	Spannungsversorgung			IFM	
	Volts/ Hz	Bereich +- 10 %	MCA (A)	Ausgabe (kW)	FLA (A)
PKFY-P63VKM-E	220-240 V / 50 Hz	Max.: 264 V	0,36	0,056	0,29
PKFY-P100VKM-E	220 V / 60 Hz	Min.: 198 V	0,63	0,056	0,50

7. Testlauf

7.1. Vor dem Testlauf

- ▶ Nach Installation, Verdrahtung und Verlegung der Rohrleitungen der Innen- und Außenanlagen überprüfen und sicherstellen, daß kein Kältemittel ausläuft, Netzstromversorgung und Steuerleitungen nicht locker sind, Polarität nicht falsch angeordnet und keine einzelne Netzanschlußphase getrennt ist.
- ▶ Mit einem 500-Volt-Megohmmeter überprüfen und sicherstellen, daß der Widerstand zwischen Stromversorgungsklemmen und Erdung mindestens 1,0 M beträgt.

▶ Diesen Test nicht an den Klemmen der Steuerleitungen (Niederspannungsstromkreis) vornehmen.

⚠ **Warnung:**

Die Klimaanlage nicht in Betrieb nehmen, wenn der Isolationswiderstand weniger als 1,0 M beträgt.

Steuerungseinheit

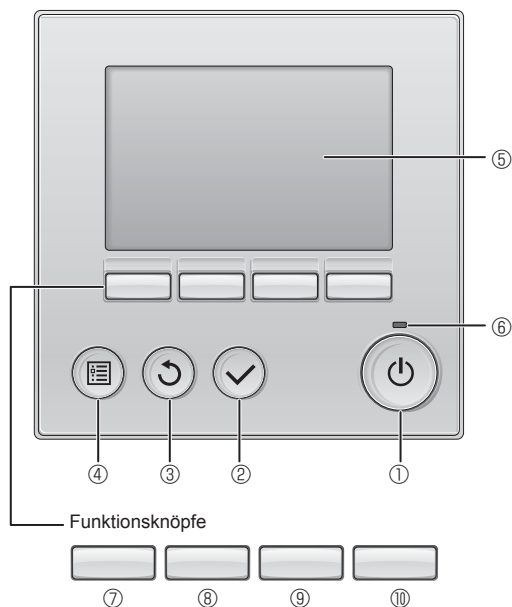


Fig. 7-1

7.2. Testlauf

Die nachstehenden 3 Verfahren sind verfügbar.

7.2.1. Verwendung der verdrahteten Fernbedienung (Fig. 7-1)

① [EIN/AUS] Knopf

Drücken, um die Anlage EIN/AUS zu schalten.

② [AUSWAHL] Knopf

Drücken, um die Einstellung zu speichern.

③ [ZURÜCK] Knopf

Drücken, um zur vorhergehenden Anzeige zu wechseln.

④ [MENÜ] Knopf

Drücken, um das Hauptmenü anzuzeigen.

⑤ Hintergrundbeleuchtetes LCD

Betriebseinstellung wird angezeigt.

Wenn die Hintergrundbeleuchtung aus ist, wird sie durch Drücken eines Knopfes wieder eingeschaltet und bleibt je nach Anzeige für einen bestimmten Zeitraum eingeschaltet.

Wenn die Hintergrundbeleuchtung aus ist, wird sie durch Drücken eines Knopfes aktiviert ohne die Funktion des entsprechenden Knopfes zu aktivieren. (außer beim [EIN/AUS] Knopf)

⑥ EIN/AUS-Lampe

Diese Lampe leuchtet grün, wenn die Anlage eingeschaltet ist. Sie blinkt, wenn die Fernsteuerung startet oder wenn ein Fehler vorliegt.

⑦ Funktionsknopf [F1]

Hauptanzeige: Drücken, um die Funktion zu wechseln Betriebsart.

Hauptmenü: Drücken, um den Cursor nach unten zu bewegen.

⑧ Funktionsknopf [F2]

Hauptanzeige: Drücken, um die Temperatur zu senken.

Hauptmenü: Drücken, um den Cursor nach oben zu bewegen.

⑨ Funktionsknopf [F3]

Hauptanzeige: Drücken, um die Temperatur zu erhöhen.

Hauptmenü: Drücken, um zur vorhergehenden Seite zu wechseln.

⑩ Funktionsknopf [F4]

Hauptanzeige: Drücken, um die Lüftergeschwindigkeit zu wechseln.

Hauptmenü: Drücken, um zur nächsten Seite zu wechseln.

Schritt 1 Schalten Sie die Fernbedienung auf „Test run“ (Testlauf).

- ① Wählen Sie „Service“ im Hauptmenü und drücken Sie die [ZURÜCK]-Taste.
- ② Bei der Auswahl des Service-Menüs wird ein Fenster geöffnet, das zur Passwordeingabe auffordert. (Fig. 7-2)
Zur Eingabe des aktuellen Wartungspassworts (4 Ziffern) bewegen Sie die Marke mit Hilfe der [F1]- oder [F2]-Taste zu der Ziffer, die Sie ändern möchten, und stellen dann den gewünschten Wert (0 bis 9) jeweils mit Hilfe der [F3]- oder [F4]-Taste ein. Drücken Sie dann die [ZURÜCK]-Taste.

Hinweis: Das Wartungspasswort ist anfänglich auf „9999“ eingestellt. Ändern Sie das vorgegebene Passwort nach Bedarf ab, um einen unbefugten Zugriff zu unterbinden. Halten Sie das Passwort für diejenigen bereit, die es benötigen.

Hinweis: Falls Sie Ihr Wartungspasswort vergessen haben, können Sie es wieder auf das vorgegebene Passwort „9999“ zurücksetzen, indem Sie die [F1]- und [F2]-Taste im Bildschirm zum Einstellen des Wartungspassworts gleichzeitig drei Sekunden gedrückt halten.

- ③ Wählen Sie „Test run“ (Testlauf) mit einer der Tasten [F1] und [F2], und drücken Sie die [ZURÜCK]-Taste. (Fig. 7-3)
- ④ Wählen Sie „Test run“ (Testlauf) mit einer der Tasten [F1] und [F2], und drücken Sie die [ZURÜCK]-Taste. (Fig. 7-4)

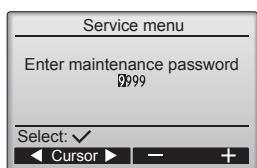


Fig. 7-2

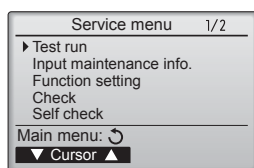


Fig. 7-3

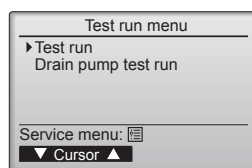


Fig. 7-4

7. Testlauf

Schritt 2 Führen Sie den Testlauf durch, und prüfen Sie die Luftstromtemperatur und die Auto-Vane-Funktion.

- ① Drücken Sie die Taste **F1**, um durch die Betriebsarten zu schalten in der Reihenfolge „Cool“ (Kühlen) und „Heat“ (Heizen). (Fig. 7-5)
 Kühlen-Modus: Prüfen Sie den Austritt der gekühlten Luft.
 Heizen-Modus: Prüfen Sie den Austritt der erwärmten Luft.
 * Prüfen Sie den Betrieb des Lüfters des Außengeräts.
- ② Drücken Sie die Taste **F2** und öffnen Sie den Bildschirm für die Lamelleneinstellung.

AUTO-Lamellenprüfung

- ① Prüfen Sie die automatische Lamellensteuerung mit den Tasten **F1** **F2**. (Fig. 7-6)
- ② Drücken Sie die **F2**-Taste, um in den „Test run“-Betrieb (Testlaufbetrieb) zurückzukehren.
- ③ Drücken Sie die **F1**-Taste.

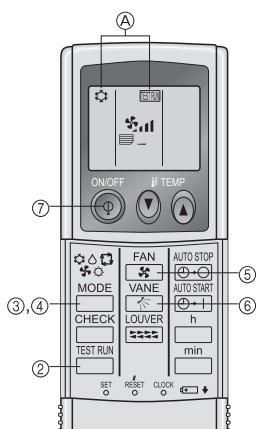


Fig. 7-7

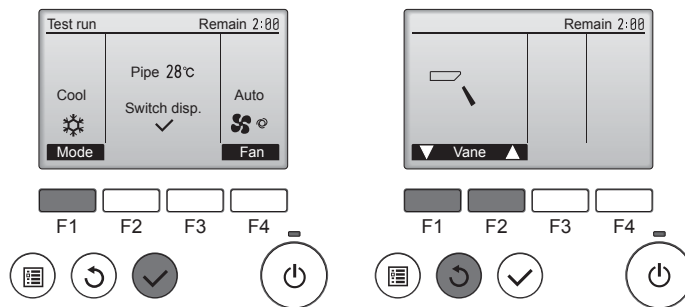


Fig. 7-5

Fig. 7-6

7.2.2. Verwendung der drahtlosen Fernbedienung (Fig. 7-7)

- ① Mindestens 12 Stunden vor dem Testlauf den Netzstrom einschalten.
- ② Die **TEST RUN** -Taste zweimal kurz nacheinander drücken.
 (Nehmen Sie diesen Schritt vor, wenn das Fernbedienungsdisplay gestoppt ist.)
 A **TEST RUN** (TESTLAUF) und die aktuelle Betriebsart werden angezeigt.
- ③ **MODE** (Cool/Heat) -Taste drücken, um **COOL** (Kühlen)-Betrieb zu aktivieren. Dann prüfen, ob Kaltluft aus der Anlage geblasen wird.
- ④ **MODE** (Cool/Heat) -Taste drücken, um **HEAT** (Heizung) zu aktivieren. Dann prüfen, ob Warmluft aus der Anlage geblasen wird.
- ⑤ Die **FAN** -Taste (Gebläse) drücken und überprüfen ob sich die Gebläsedrehzahl ändert.
- ⑥ **VANE** (gebläseflügel)-Taste drücken und prüfen, ob die automatische Gebläseflügel-Funktion einwandfrei arbeitet.
- ⑦ **ON/OFF** (netzstrom EIN/AUS)-Taste drücken, um Probelauf zu beenden.

Hinweis:

- Bei Ausführung der Schritte ② bis ⑦ die Fernbedienung auf das Empfangsteil der Innenanlage richten.
- Es ist nicht möglich, das Gerät in den Betriebsarten FAN, DRY oder AUTO arbeiten zu lassen.

1. Consignes de sécurité.....	28	5. Mise en place du tuyau d'écoulement.....	35
2. Emplacement pour l'installation.....	29	6. Installations électriques.....	36
3. Installation de l'appareil intérieur.....	29	7. Marche d'essai.....	39
4. Installation de la tuyauterie du réfrigérant.....	33		

Remarque:

Dans le présent manuel d'utilisation, l'expression "Télécommande fi laire" fait uniquement référence au modèle PAR-32MAA.

Pour toute information sur l'autre télécommande, reportez-vous au livret d'instructions ou au manuel de paramétrage initial fournis dans les boîtes.

1. Consignes de sécurité

- ▶ Avant d'installer le climatiseur, lisez attentivement toutes les "Consignes de sécurité".
- ▶ Veuillez consulter ou obtenir l'autorisation de votre compagnie d'électricité avant de connecter votre système.

⚠ Avertissement:

Précautions à suivre pour éviter tout danger de blessure ou de décès de l'utilisateur.

⚠ Précaution:

Décrit les précautions qui doivent être prises pour éviter d'endommager l'appareil.

Une fois l'installation terminée, expliquer les "Consignes de sécurité", l'utilisation et l'entretien de l'appareil au client conformément aux informations du mode d'emploi et effectuer l'essai de fonctionnement en continu pour garantir un fonctionnement normal. Le manuel d'installation et le mode d'emploi doivent être fournis à l'utilisateur qui doit les conserver. Ces manuels doivent également être transmis aux nouveaux utilisateurs.

⚠ Avertissement:

- Demandez à votre revendeur ou à un technicien agréé d'installer le climatiseur.
- N'essayez jamais de réparer ou de déplacer vous-même l'appareil.
- Installez l'appareil sur une structure capable de supporter son poids.
- N'utilisez que les câbles spécifiés pour les raccordements. Les raccordements doivent être réalisés correctement sans tension sur les bornes. Ne jamais effectuer de jonction sur les câbles (sauf en cas d'indications contraires). Le non respect de cette consigne peut entraîner une surchauffe ou un incendie.
- Utilisez uniquement les accessoires agréés par Mitsubishi Electric et demander à votre revendeur ou à une société agréée de les installer.
- Ne touchez jamais les ailettes de l'échangeur de chaleur.
- Installez le climatiseur en respectant les instructions du manuel d'installation.
- Demandez à un électricien agréé d'effectuer l'installation électrique conformément aux réglementations locales.
- L'appareil doit être installé conformément aux réglementations nationales relatives au câblage.
- Si le cordon d'alimentation est endommagé, il doit être remplacé par le

⚠ Précaution:

- Lors de l'utilisation de réfrigérant R410A, n'utilisez jamais les tuyaux de réfrigérant existants.
- Lors de l'utilisation de réfrigérant R410A, appliquez une petite quantité d'huile ester, de l'huile ou de l'alkylbenzène, comme huile réfrigérante sur les évaselements et les connexions à brides.
- N'utilisez pas le climatiseur près d'animaux ou de plantes ou près d'aliments, d'instruments de précision ou d'objets d'art.
- N'utilisez pas le climatiseur dans certains environnements.
- Mettez l'appareil à la terre.
- Installez un disjoncteur, comme spécifié.

- ⊘ : Indique une action qui doit être évitée.
- ⚠ : Indique que des instructions importantes doivent être prises en considération.
- ⚡ : Indique un élément qui doit être mis à la terre.
- ⚠ : Indique des précautions à prendre lors du maniement de pièces tournantes.
- ⚠ : Indique que l'interrupteur principal doit être désactivé avant d'effectuer tout travail d'entretien.
- ⚠ : Danger d'électrocution.
- ⚠ : Attention, surface chaude.
- ⚠ ELV : Lors de travaux d'entretien, coupez l'alimentation de l'appareil intérieur ainsi que de l'appareil extérieur.

⚠ Avertissement:

Prendre soin de lire les étiquettes se trouvant sur l'appareil principal.

fabricant, ses revendeurs ou un technicien qualifié pour éviter tout danger de choc électrique.

- Si le climatiseur est installé dans une pièce relativement petite, certaines mesures doivent être prises pour éviter que la concentration de réfrigérant ne dépasse le seuil de sécurité en tenant compte des possibilités de fuites de réfrigérant.
- Les parties détachées de la face prédécoupée peuvent blesser l'installateur (coupure, etc.). Il lui est donc demandé de porter des vêtements de protection (gants, etc.).
- Lors de l'installation, du déplacement ou de l'entretien du climatiseur, n'utilisez que le réfrigérant spécifié (R410A) pour remplir les tuyaux de réfrigérant. Ne pas le mélanger avec un autre réfrigérant et faire le vide d'air dans les tuyaux. Si du réfrigérant est mélangé avec de l'air, cela peut provoquer des pointes de pression dans les tuyaux de réfrigérant et entraîner une explosion et d'autres risques. L'utilisation d'un réfrigérant différent de celui spécifié pour le climatiseur peut entraîner des défaillances mécaniques, des dysfonctionnements du système ou une panne de l'appareil. Dans le pire des cas, cela peut entraîner un obstacle à la mise en sécurité du produit.

- Utilisez des câbles d'alimentation dont la capacité à distribuer le courant et la valeur nominale sont adéquates.
- Utilisez uniquement un disjoncteur et un fusible de la valeur indiquée.
- Ne touchez pas les interrupteurs avec les doigts mouillés.
- Ne touchez pas les tuyaux de réfrigérant pendant ou immédiatement après le fonctionnement.
- Ne faites pas fonctionner le climatiseur lorsque les panneaux et dispositifs de sécurité ont été enlevés.
- Ne mettez pas l'appareil immédiatement hors tension après son fonctionnement.

2. Emplacement pour l'installation

■ PKFY-P-VKM-E

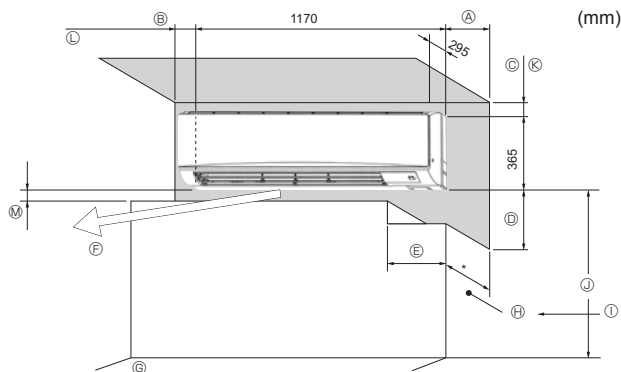


Fig. 2-1

2.1. Dimensions externes (Appareil intérieur) (Fig. 2-1)

Choisir un emplacement approprié en prenant compte des espaces suivants pour l'installation et l'entretien.

■ PKFY-P-VKM-E

(mm)

A	B	C	D	E
Min. 100,5	Min. 52,3	Min. 48	Min. 250	Min. 220

- Ⓕ Sortie d'air : ne placer aucun obstacle à moins de 1500 mm de la sortie d'air.
- Ⓖ Surface du sol
- Ⓗ Garniture
- Ⓘ Lorsqu'une traverse dépasse du mur de plus de 60 mm, une distance supplémentaire est nécessaire car le flux d'air du ventilateur peut créer un cycle court.
- Ⓣ 1800 mm minimum de la surface du sol (pour montage en hauteur)
- Ⓚ 108 mm minimum avec tuyau gauche ou arrière gauche et installation d'une pompe de vidange en option
- Ⓛ 550 mm minimum avec installation d'une pompe de vidange en option
- Ⓜ Minimum 7 mm : 265 mm minimum avec installation d'une pompe de vidange en option

3. Installation de l'appareil intérieur

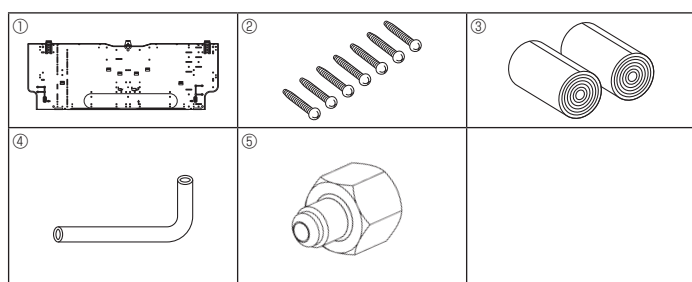


Fig. 3-1

3.1. Vérifier les accessoires qui accompagnent l'appareil intérieur (Fig. 3-1)

L'appareil intérieur doit être livré avec les accessoires suivants:

RÉFÉRENCE	ACCESSOIRE	QUANTITÉ		EMPLACEMENT DES RÉGLAGES
		P63	P100	
①	Planche d'installation	1	1	Fixer à l'arrière de l'appareil
②	Vis autotaraudeuses 4 x 25	7	7	
③	Bande de feutre	2	2	
④	Raccord en L	1	1	
⑤	Écrou de charge	1	1	

3.2. Installation de la structure de montage mural

3.2.1. Installation de la structure de montage mural et mise en place des tuyaux

► A l'aide de la structure de montage mural, déterminer l'emplacement d'installation de l'appareil et le lieu de forage des orifices pour les tuyaux.

⚠ Avertissement:

Avant de forer un trou dans le mur, veuillez demander l'autorisation au responsable de l'édifice.

■ PKFY-P-VKM-E (Fig. 3-2)

- Ⓐ Planche d'installation ①
- Ⓑ Appareil intérieur
- Ⓒ Orifice du tuyau arrière gauche inférieur (ø75-ø80)
- Ⓓ Orifice du tuyau arrière droit inférieur (ø75-ø80)
- Ⓔ Orifice de la rondelle pour orifice arrière gauche (75 x 480)
- Ⓕ Orifice de boulon (4-ø9)
- Ⓖ Orifice de mesure médiane (ø2,5)
- Ⓗ Avant-trou (75-ø5,1)
- Ⓣ Orifice central
- Ⓣ Aligner la balance avec la ligne.
- Ⓚ Insérer la balance.

3.2.2. Forage de l'orifice des tuyaux (Fig. 3-3)

► Utiliser une foreuse à témoins pour forer un orifice de pénétration dans le mur de 75 à 80 mm de diamètre, aligné sur la direction du tuyau, à l'endroit indiqué sur le diagramme à gauche.

► L'orifice de pénétration dans le mur doit être incliné de telle sorte que l'ouverture extérieure soit plus basse que l'ouverture intérieure.
► Insérer un manchon (de 75 mm de diamètre - non fourni) dans l'orifice.

Remarque:

L'orifice de pénétration doit être incliné afin d'augmenter le débit.

■ PKFY-P-VKM-E

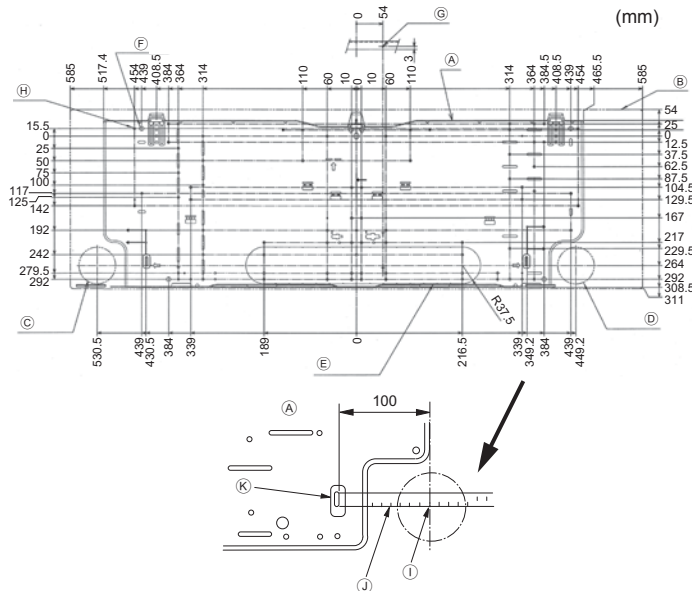


Fig. 3-2

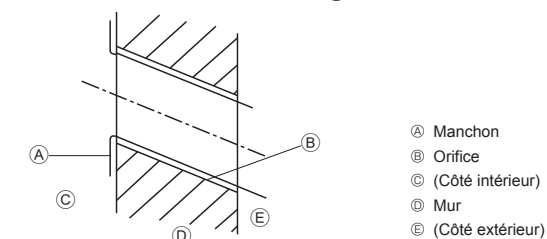


Fig. 3-3

3. Installation de l'appareil intérieur

■ PKFY-P-VKM-E

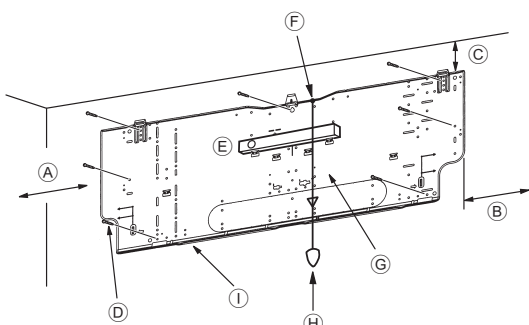


Fig. 3-4

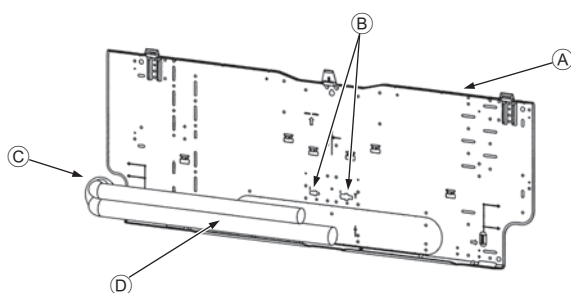


Fig. 3-5

■ PKFY-P-VKM-E

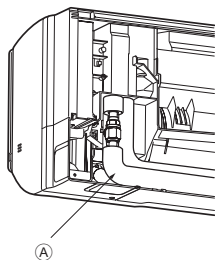


Fig. 3-6

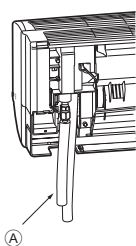


Fig. 3-7



Fig. 3-8

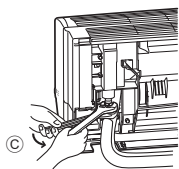


Fig. 3-9

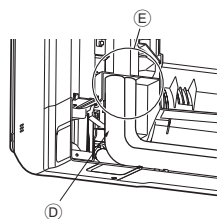


Fig. 3-10

3.2.3. Installation du support de montage mural

- ▶ L'appareil extérieur pesant près de 22 kg, choisir l'emplacement de montage en tenant bien compte de ce fait. Si le mur ne semble pas être assez résistant, le renforcer avec des planches ou des poutres avant d'installer l'appareil.
- ▶ La structure de montage doit être attachée à ses deux extrémités et au centre, si possible. Ne jamais la fixer à un seul endroit ou de manière asymétrique. (Si possible, attacher la structure à tous les points indiqués par une flèche en caractères gras.)

⚠ Avertissement:

Si possible, attacher la structure à tous les points marqués d'une flèche en caractères gras.

⚠ Précaution:

- Le corps de l'appareil doit être monté à l'horizontale.
- Le fixer aux orifices marqués d'un ▲.

■ PKFY-P-VKM-E (Fig. 3-4)

- ▲ Min. 120 mm (617,6 mm minimum avec installation d'une pompe de vidange en option)
- ⓐ Min. 220 mm
- ⓑ Min. 70 mm (130 mm minimum avec tuyauterie gauche, arrière gauche ou gauche inférieure et installation d'une pompe de vidange en option)
- ⓓ Vis de fixation (4 × 25) ②
- ⓔ Niveau
- ⓕ Serrer le filetage sur l'orifice.
- ⓖ Placer le niveau contre la ligne de référence horizontale de la planche d'installation et monter à niveau. Maintenir le filetage et aligner avec ▽ EPK de la planche d'installation pour mettre à niveau.
- ⓗ Poids
- ⓓ Planche d'installation ①

3.3. Lors de l'insertion des tuyaux dans le mur (Fig. 3-5)

- Les tuyaux sont sur la partie inférieure gauche.
- Lorsque le tuyau de refroidissement, les tuyaux d'écoulement, les lignes de connexion internes/externes, etc. doivent être insérés dans le mur à l'avance, les tuyaux de perçage, etc., doivent être couvés et leur longueur adaptée à l'appareil.
- Marquer la planche d'installation pour référence lors de l'ajustement de la longueur du tuyau de refroidissement encastré.
- Pendant la construction, donner du jeu à la longueur des tuyaux de perçage.
- ▲ Planche d'installation ①
- ⓑ Marquage de référence des raccords évasés
- ⓑ Orifice passant
- ⓓ Tuyauterie sur site

3.4. Préparation de l'appareil intérieur

- * Contrôle préalable requis car le travail préparatoire dépend du sens de sortie de la tuyauterie.
- * Lors du couvage de la tuyauterie, couvez graduellement tout en maintenant la sortie du tuyau à sa base. (Un couvage trop brutal déformera la tuyauterie.)

■ PKFY-P-VKM-E

Fixation du raccord en L ④

Tuyauterie droite, gauche et arrière (Fig. 3-6)

1. Retirer l'écrou évasé et le capuchon de l'appareil intérieur. (Conduit de gaz uniquement)
2. Appliquer de l'huile réfrigérante sur la surface évasée de la feuille. (Préparation sur place)
3. Dans le sens du retrait du raccord en L ④, faire un raccord rapide à l'ouverture évasée de l'appareil intérieur.
4. Serrer l'écrou évasé à l'aide d'une clé à fourche double. (Fig. 3-9)
Force de serrage : 68 à 82 N·m
5. Fixer l'écrou de charge ⑤ sur le joint coté conduit de liquide et vérifier les fuites au niveau du raccord en L ④.
Retirer l'écrou de charge ⑤ une fois le travail terminé.
Force de serrage : 34 à 42 N·m
6. Couvrir la partie évasée du raccord avec le cache-tuyaux du raccord en L ④ pour qu'il ne soit pas exposé. (Fig. 3-10)
- ▲ Raccord en L ④
- ⓑ Position de découpe (partie droite du tuyau)
- ⓑ Sens de serrage
- ⓑ Couvrir avec le cache-tuyaux
- ⓑ Couvrir la partie écrou évasée avec le cache-tuyaux.

Tuyau inférieur (Fig. 3-7)

1. Couper le raccord en L ④ à l'emplacement indiqué (Fig. 3-8).
2. Insérer l'écrou évasé retiré précédemment sur la partie droite du raccord en L ④ et évaser l'extrémité du tuyau.
3. Retirer l'écrou évasé et le capuchon de l'appareil intérieur. (Conduit de gaz uniquement)
4. Appliquer de l'huile réfrigérante sur la surface évasée de la feuille. (Préparation sur place)
5. Raccorder rapidement le raccord en L ④ traité en 2) à l'ouverture évasée de l'appareil intérieur.
6. Serrer l'écrou évasé à l'aide d'une clé à fourche double. (Fig. 3-9)
Force de serrage : 68 à 82 N·m
7. Fixer l'écrou de charge ⑤ sur le joint coté conduit de liquide et vérifier les fuites au niveau du raccord en L ④.
Retirer l'écrou de charge ⑤ une fois le travail terminé.
Force de serrage : 34 à 42 N·m
8. Couvrir la partie évasée du raccord avec le cache-tuyaux du raccord en L ④ pour qu'il ne soit pas exposé. (Fig. 3-10)

3. Installation de l'appareil intérieur

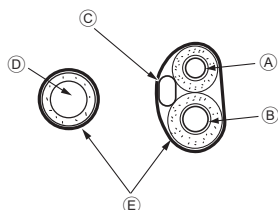


Fig. 3-11

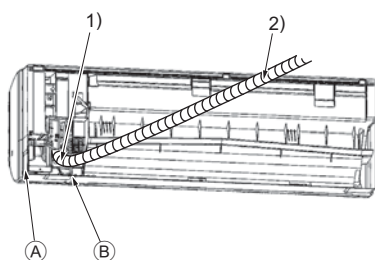


Fig. 3-12

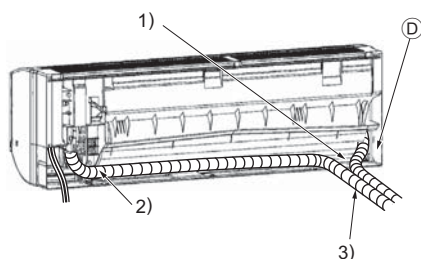
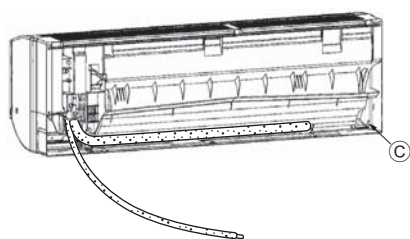


Fig. 3-13

Vérification des fuites du raccord en L

1. Fixer l'écrou de charge ⑤ sur le joint coté conduit de liquide.
Force de serrage : 34 à 42 N·m
2. Pressuriser en remplissant d'hydrogène depuis l'écrou de charge.
Ne pas pressuriser directement à la pression constante actuelle. Pressuriser graduellement.
 - 1) Pressuriser jusqu'à 0,5 MPa (5 kgf/cm²G), attendre cinq minutes et vérifier que la pression ne diminue pas.
 - 2) Pressuriser jusqu'à 1,5 MPa (15 kgf/cm²G), attendre cinq minutes et vérifier que la pression ne diminue pas.
 - 3) Pressuriser jusqu'à 4,15 MPa (41,5 kgf/cm²G), puis mesurer la température ambiante et la pression du réfrigérant.
3. Si la pression spécifiée se maintient pendant environ une journée sans diminuer, les tuyaux ne présentent pas de fuite.
 - Si la température ambiante varie de 1°C, la pression varie d'environ 0,01 MPa (0,1 kgf/cm²G). Apporter les corrections nécessaires.
4. Si la pression diminue à l'étape (2) ou (3), il y a une fuite de gaz. Rechercher l'origine de la fuite de gaz.

Extraction et traitement de la tuyauterie et du câblage (Fig. 3-11)

1. Branchement du câblage intérieur/extérieur → Voir page. 34.
2. Envelopper la bande de feutre ③ autour des tuyaux de réfrigérant et du tuyau d'écoulement dans l'espace de tuyauterie de l'appareil intérieur.
 - Envelopper la bande de feutre ③ correctement à partir de la base de chaque tuyau de réfrigérant et du tuyau d'écoulement.
 - Faire chevaucher la bande de feutre ③ sur la moitié de la largeur de la bande.
 - Fixer l'extrémité de la bande avec du ruban adhésif.
3. S'assurer que le tuyau d'écoulement n'est pas levé ou en contact avec le boîtier de l'appareil intérieur.
Ne pas tirer brutalement sur le tuyau d'écoulement pour ne pas le retirer.

Tuyauterie arrière, droite et inférieure (Fig. 3-12)

- 1) S'assurer que le tuyau d'écoulement n'est pas levé ou en contact avec le boîtier de l'appareil intérieur. Arranger le tuyau d'écoulement sous la tuyauterie et l'envelopper de bande de feutre ③.
- 2) Envelopper correctement la bande de feutre ③ en commençant par la base.
(Faire chevaucher la bande de feutre sur la moitié de la largeur de la bande.)
 - ④ Découper le tuyau droit.
 - ⑤ Découper le tuyau inférieur.

Tuyauterie gauche et arrière gauche (Fig. 3-13)

4. Remplacement du tuyau d'écoulement → Voir 6. Mise en place du tuyau d'écoulement
Veiller à mettre en place le tuyau d'écoulement et le capuchon de drainage de la tuyauterie gauche et arrière gauche. Un suintement peut apparaître si vous oubliez d'installer ou de remplacer ces pièces.
 - ⑥ Capuchon de drainage
- 1) S'assurer que le tuyau d'écoulement n'est pas levé ou en contact avec le boîtier de l'appareil intérieur.
- 2) Envelopper correctement la bande de feutre ③ en commençant par la base.
(Faire chevaucher la bande de feutre sur la moitié de la largeur de la bande.)
- 3) Fixer l'extrémité de la bande ③ avec du ruban adhésif.
 - ⑦ Découper le tuyau gauche.

3. Installation de l'appareil intérieur

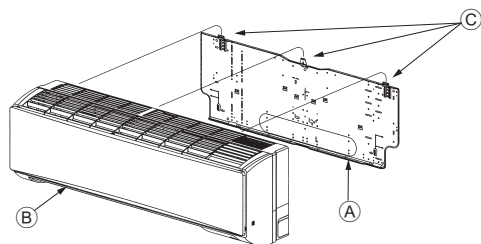


Fig. 3-14

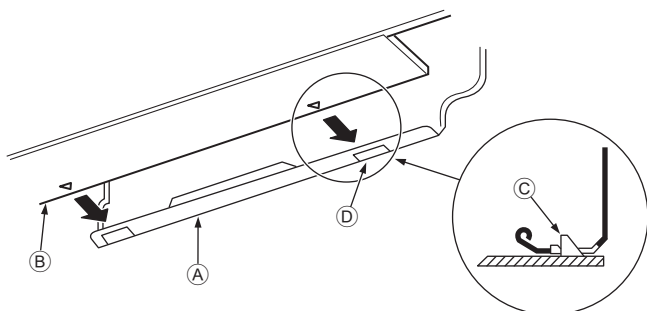


Fig. 3-15

■ PKFY-P-VKM-E

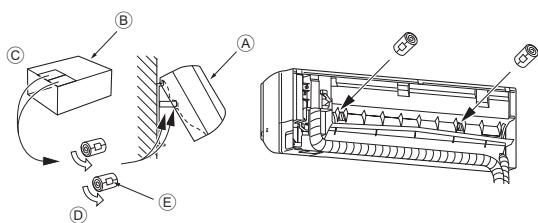


Fig. 3-16

3.5. Montage de l'appareil intérieur

1. Fixer la planche d'installation ① au mur.
2. Accrocher l'appareil intérieur sur le crochet situé dans la partie supérieure de la planche d'installation.

Tuyauterie arrière, droite et inférieure (Fig. 3-14)

3. Lors de l'insertion du tuyau de réfrigérant et le tuyau d'écoulement dans l'orifice mural d'insertion (manchette de pénétration), accrocher la partie supérieure de l'appareil intérieur sur la planche d'installation ①.
 4. Déplacer l'appareil intérieur vers la gauche et la droite et vérifier que l'appareil est correctement accroché.
 5. Fixer en poussant la partie inférieure de l'appareil intérieur sur la planche d'installation ①. (Fig. 3-15)
- * Vérifier que les boutons en bas de l'appareil intérieur sont correctement maintenus sur la planche d'installation ①.
6. Après l'installation, veiller à vérifier que l'appareil intérieur est monté à niveau.

- ① Planche d'installation
- ② Appareil intérieur
- ③ Crochet
- ④ Orifice carré

Tuyauterie gauche et arrière gauche (Fig. 3-16)

3. Lors de l'insertion du tuyau de réfrigérant et le tuyau d'écoulement dans l'orifice mural d'insertion (manchette de pénétration), accrocher la partie supérieure de l'appareil intérieur sur la planche d'installation ①.
- Concernant le stockage des tuyaux, déplacer l'appareil complètement à gauche, couper un emballage en carton et lui donner une forme cylindrique comme illustré sur le schéma. Le fixer sur la surface arrière comme une entretoise et soulever l'appareil intérieur.
4. Relier le tuyau de réfrigérant au tuyau de réfrigérant côté site.
 5. Fixer en poussant la partie inférieure de l'appareil intérieur sur la planche d'installation ①.
- * Vérifier que les boutons en bas de l'appareil intérieur sont correctement maintenus sur la planche d'installation ①.
6. Après l'installation, veiller à vérifier que l'appareil intérieur est monté à niveau.

- ① Appareil intérieur
- ② Carton d'emballage
- ③ Découpe
- ④ Envelopper dans une forme cylindrique
- ⑤ Maintenir avec de l'adhésif

4. Installation de la tuyauterie du réfrigérant

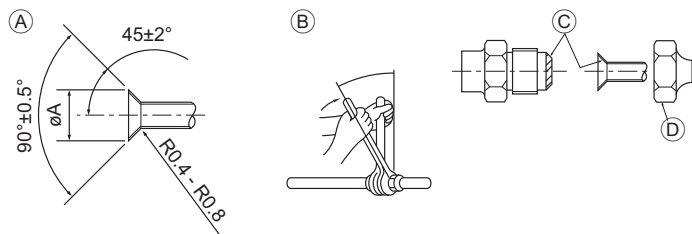


Fig. 4-1

(A) Dimension de l'évasement

Diam. ext. Tuyau en cuivre (mm)	Dimensions évasement Dimensions ϕA (mm)
$\phi 9,52$	12,8 - 13,2
$\phi 15,88$	19,3 - 19,7
$\phi 19,05$	22,9 - 23,3

(B) Tailles des tuyaux de réfrigérant et couple de serrage du raccord conique

(C) Ne pas appliquer d'huile réfrigérante sur les vis.
(Les écrous évasés risquent davantage de se desserrer.)

(D) Veiller à utiliser les écrous évasés joints à l'appareil principal.
(L'utilisation des produits disponibles dans le commerce peut entraîner des craquements.)

	R410A				Diam.ext. raccord conique	
	Tuyau à liquide		Tuyau à gaz		Tuyau à liquide (mm)	Tuyau à gaz (mm)
	Diamètre du tuyau (mm)	Couple de serrage (N·m)	Diamètre du tuyau (mm)	Couple de serrage (N·m)		
P63	OD $\phi 9,52$	34 - 42	OD $\phi 15,88$	68 - 82	22	29
P100	OD $\phi 9,52$	34 - 42	OD $\phi 15,88$	68 - 82	22	29

(E) Appliquer de l'huile réfrigérante sur toute la surface évasée du fond.

■ PKFY-P-VKM-E

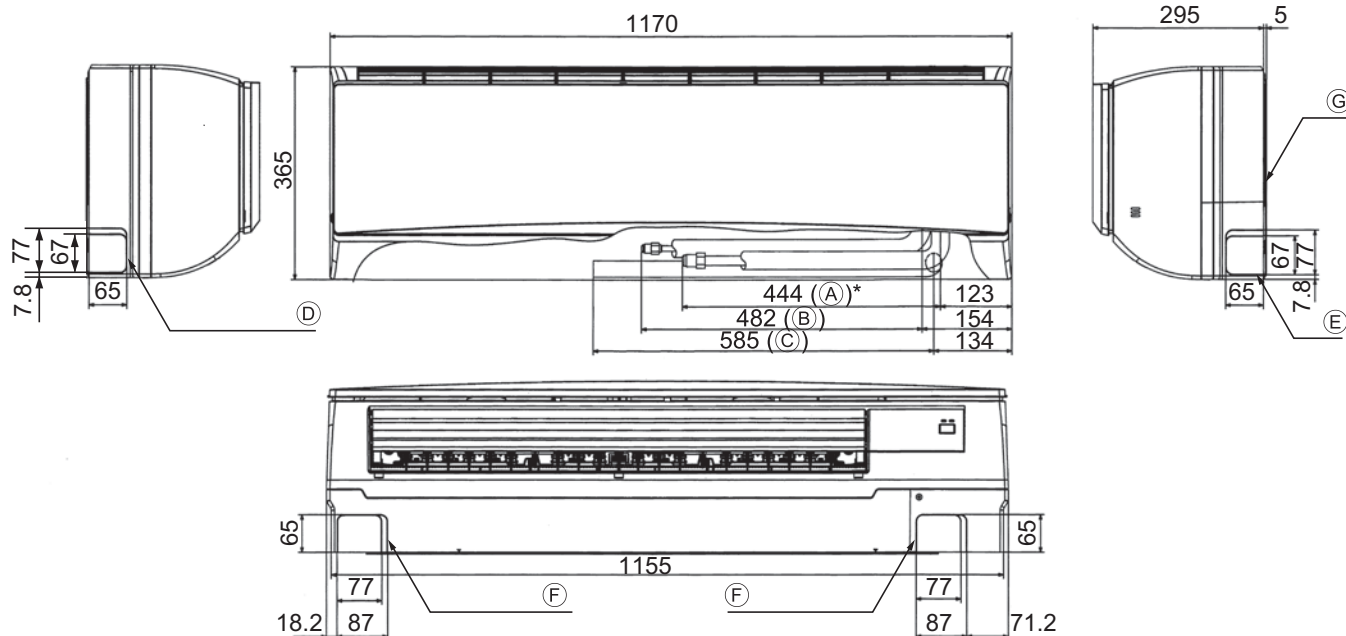


Fig. 4-2

4.1. Connexion des tuyaux (Fig. 4-1)

- En cas d'utilisation de tuyaux en cuivre disponibles sur le marché, envelopper les tuyaux de liquide et de gaz avec de la matière isolante vendue dans le commerce sur le marché (résistant à une chaleur de 100 °C ou supérieure et d'une épaisseur de 12 mm ou plus).
- Les parties intérieures du tuyau d'écoulement doivent également être entourées de matière isolante en mousse de polyéthylène (avec une poids spécifique de 0,03 et de 9 mm d'épaisseur ou plus).
- Appliquer un film mince d'huile réfrigérante sur la surface du tuyau et du support du joint avant de serrer l'écrou évasé.
- Utiliser deux clés pour serrer les connexions des tuyaux.
- Utiliser la matière isolante des tuyaux de réfrigérant fournie afin d'envelopper les connexions des appareils intérieurs. Effectuer l'isolation avec soin.

⚠ Avertissement:

Pendant l'installation de l'appareil, brancher correctement les tuyaux de réfrigérant avant de lancer le compresseur.

4.2. Mise en place des tuyaux de réfrigérant et d'écoulement (Fig. 4-2)

■ PKFY-P-VKM-E

- (A) Conduit de gaz * Indique la condition les accessoires montés.
- (B) Conduit de liquide
- (C) Tuyau d'écoulement
- (D) Orifice de la rondelle du tuyau gauche
- (E) Orifice de la rondelle du tuyau droit
- (F) Orifice de la rondelle du tuyau inférieur
- (G) Plaque d'installation ①

4. Installation de la tuyauterie du réfrigérant

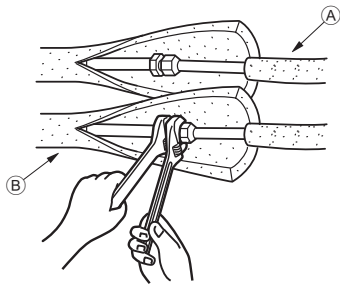


Fig. 4-3

■ PKFY-P-VKM-E

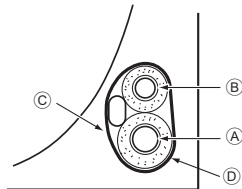


Fig. 4-4

4.3. Travaux pour l'installation des tuyaux de réfrigérant (Fig. 4-3)

Appareil intérieur

1. Retirer l'écrou évasé et le couvercle de l'appareil intérieur.
 2. Créer un évasement pour le tuyau de liquide et pour le tuyau de gaz et appliquer de l'huile pour machine réfrigérante (disponible chez votre fournisseur local) sur la surface du siège évasé.
 3. Raccorder rapidement les tuyaux de réfrigérant sur place à l'appareil.
 4. Envelopper le couvercle du tuyau fixé au tuyau de gaz et vérifier si le joint du raccord n'est pas visible.
 5. Envelopper le couvercle du tuyau de liquide de l'appareil et vérifier s'il recouvre bien la matière isolante du tuyau de liquide sur place.
 6. Partie où le matériau d'isolation est maintenu par du ruban adhésif.
- Ⓐ Tuyauterie du réfrigérant côté site
Ⓑ Tuyauterie du réfrigérant côté appareil

4.3.1. Stockage dans l'espace de tuyauterie de l'appareil (Fig. 4-4)

1. Envelopper la bande de feutre fournie autour des tuyaux de réfrigérant dans l'espace de tuyauterie de l'appareil intérieur pour éviter les suintements.
 2. Faire chevaucher la bande de feutre sur la moitié de la largeur de la bande.
 3. Fixer l'extrémité de la bande avec du ruban adhésif, etc.
- Ⓐ Conduit de gaz
Ⓑ Conduit de liquide
Ⓒ Câble de connexion intérieur/extérieur
Ⓓ Bande de feutre ③

5. Mise en place du tuyau d'écoulement

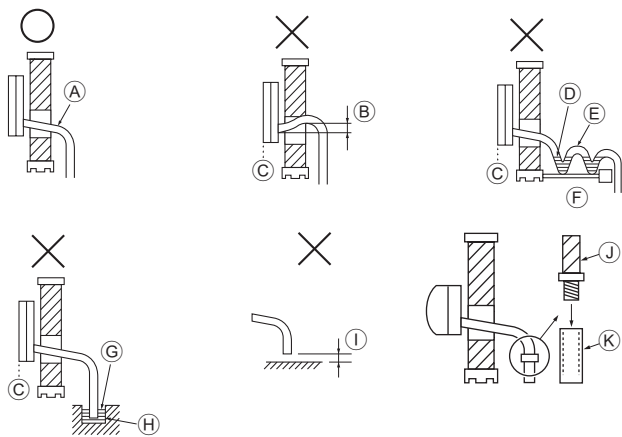


Fig. 5-1

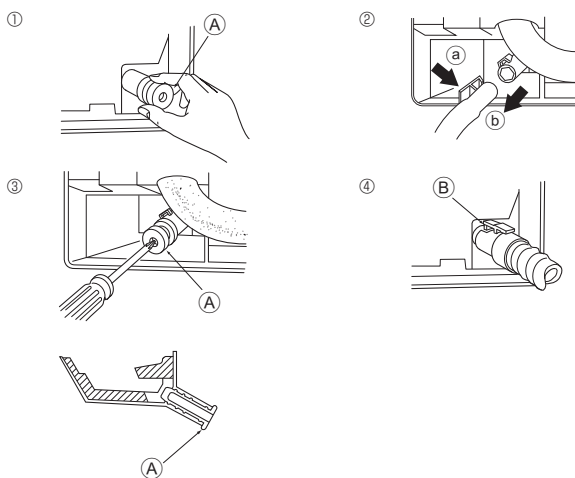


Fig. 5-2

■ PKFY-P-VKM-E

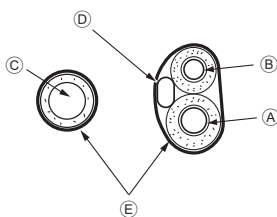


Fig. 5-3

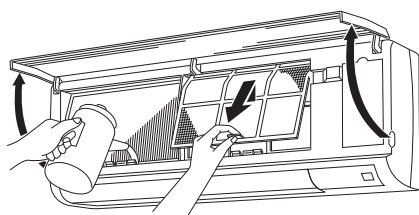


Fig. 5-4

5.1. Mise en place du tuyau d'écoulement (Fig. 5-1)

- Les tuyaux d'écoulement doivent avoir une inclinaison de 1/100 ou supérieure.
- Pour rallonger le tuyau d'évacuation, utilisez un tuyau flexible (diamètre intérieur de 15 mm), disponible dans les commerces, ou un tuyau de chlorure de vinyle dur (VP-16/Tube en PVC, O.D. $\varnothing 22$). Assurez-vous qu'il n'y a aucune fuite d'eau en provenance des joints.
- Ne pas diriger les tuyaux d'écoulement directement vers un fossé d'écoulement dans lequel des gaz sulfuriques pourraient être acheminés.
- Lorsque la mise en place des tuyaux est terminée, vérifiez que l'eau ressorte bien par l'extrémité du tuyau d'écoulement.

⚠ Précaution:

Les tuyaux d'écoulement doivent être installés conformément aux instructions du présent manuel d'installation pour assurer un écoulement correct. L'isolation thermique des tuyaux d'écoulement est nécessaire pour éviter la condensation. Si les tuyaux d'écoulement ne sont pas correctement installés et isolés, des gouttes de condensation risquent de se former au plafond, sur le sol ou à tout autre endroit.

- Ⓐ Inclinaison vers le bas
- Ⓑ Doit être plus bas que le point de sortie
- Ⓒ Fuite d'eau
- Ⓓ Écoulement piégé
- Ⓔ Air
- Ⓕ Ondulé
- Ⓖ Extrémité du tuyau d'écoulement sous l'eau.
- Ⓗ Rigole d'écoulement
- Ⓛ 5 cm maximum entre l'extrémité du tuyau d'écoulement et le sol.
- Ⓜ Tuyau d'écoulement
- Ⓝ Tuyau en PVC mou (diamètre intérieur de 15 mm) ou en PVC dur (VP-16)
- * Livré avec ruban adhésif PVC

Préparation du tuyautage gauche et arrière gauche (Fig. 5-2)

- Retirer le capuchon d'écoulement.
- Pour retirer le capuchon d'écoulement, saisir la partie qui ressort à l'extrémité du tuyau et tirer.
 - Ⓐ Capuchon d'écoulement
- Retirer le tuyau d'écoulement
- Retirer le tuyau d'écoulement en tenant la base du tuyau Ⓜ (indiquée par la flèche) et en tirant vers soi Ⓨ.
- Insérer le capuchon d'écoulement.
- Insérer un tournevis, etc. dans l'orifice à l'extrémité du tuyau et pousser sur la base du capuchon d'écoulement.
- Insérer le tuyau d'écoulement.
- Pousser le tuyau d'écoulement jusqu'à ce qu'il se trouve à la base de la sortie du raccord de la boîte d'écoulement.
- Vérifier que le crochet du tuyau d'écoulement est fixé correctement au sommet de la sortie du raccord dépassant de la boîte d'écoulement.
 - Ⓑ Crochets

◆ Stockage dans l'espace de tuyauterie de l'appareil intérieur (Fig. 5-3)

- * Lorsque le tuyau d'écoulement est acheminé vers l'intérieur, l'envelopper avec un isolant disponible dans le commerce.
- * Rassembler le tuyau d'écoulement et les tuyaux de réfrigérant et les envelopper avec la bande de feutre fournie Ⓩ.
- * Faire chevaucher la bande de feutre Ⓩ sur la moitié de la largeur de la bande.
- * Fixer l'extrémité de la bande avec du ruban adhésif, etc.

- Ⓐ Conduit de gaz
- Ⓑ Conduit de liquide
- Ⓒ Tuyau d'écoulement
- Ⓓ Câblage de connexion intérieur/extérieur
- Ⓩ Bande de feutre

◆ Vérifier l'écoulement (Fig. 5-4)

- Ouvrir la grille avant et retirer le filtre.
- Face aux ailettes de l'échangeur thermique, remplir rapidement d'eau.
- Après contrôle du drainage, fixer le filtre et fermer la grille.

6. Installations électriques

■ PKFY-P-VKM-E

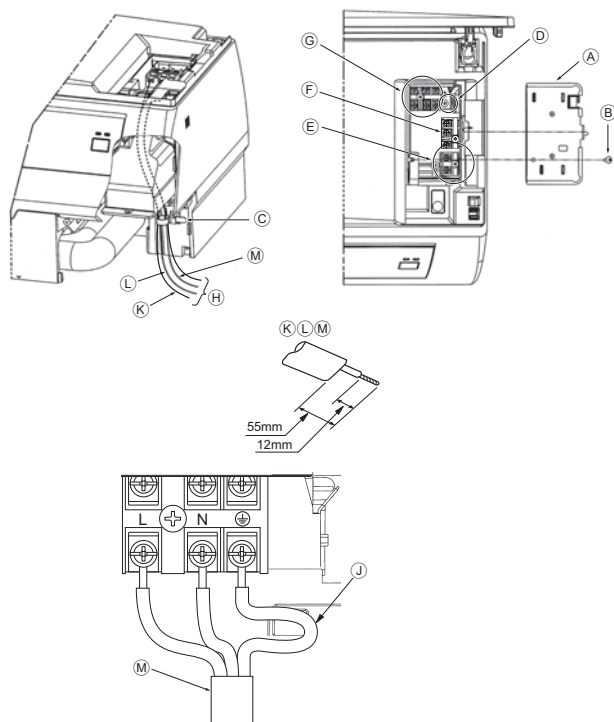


Fig. 6-1

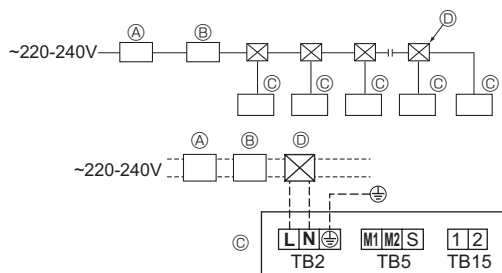


Fig. 6-2

6.1. Installations électriques

■ PKFY-P-VKM-E (Fig. 6-1)

Raccord possible sans retrait du panneau avant.

1. Ouvrir la grille avant, retirer la vis et retirer les parties électriques du capuchons.
2. Correctement relier chaque câble au bornier.
- * Concernant la maintenance, prévoir des câbles plus longs.
- * Utilisez les fils pour torons avec précaution car les arêtes peuvent couper le câblage.
3. Installer les pièces retirées précédemment.
4. Serrer chaque câble avec la vis de serrage sous le boîtier électrique.

- Ⓐ Cache du boîtier électrique
- Ⓑ Vis de fixation
- Ⓒ Attache
- Ⓓ Raccord à la terre
- Ⓔ Bornier de la télécommande MA : (1, 2) absence de polarité
- Ⓕ Bornier du terminal de transmission : (M1, M2, S) absence de polarité
- Ⓖ Bornier du terminal de transmission électrique (L, N, Terre).
- Ⓗ Fil
- Ⓙ Raccord à la terre : relier le fil de terre comme illustré sur le schéma.
- Ⓚ Câble de la télécommande
- Ⓛ Câble de transmission
- Ⓜ Câble d'alimentation

6.2. Câblage d'alimentation

- La taille des fils doit être conforme aux réglementations nationales et locales pertinentes.
- Les cordons d'alimentation des appareils électriques ne doivent pas être plus légers que les dessins 245 IEC 53 ou 227 IEC57, 245 IEC 53 ou 227 IEC 53.
- Installez un conducteur de terre plus long que les autres câbles.
- Un commutateur avec séparation de contact d'au moins 3 mm, 1/8 pouce, dans chaque pôle doit être assuré par l'installation de climatisation.

[Fig.6-2]

- Ⓐ Disjoncteur de fuite à la terre
- Ⓑ Commutateur local/Disjoncteur
- Ⓒ Appareil intérieur
- Ⓓ Boîte de tirage

⚠ Avertissement:

Ne jamais effectuer de jonction du câble d'alimentation ou du câble de raccordement intérieur-extérieur car cela peut entraîner une surchauffe, un incendie ou un raccordement défaillant.

6. Installations électriques

Courant de fonctionnement total de l'appareil intérieur	Épaisseur minimum câble (mm ²)			Disjoncteur de fuite à la terre *1	Commutateur local (A)		Disjoncteur de câblage (NFB)
	Câble principal	Ramification	Terre		Capacité	Fusible	
F0 = 16A ou moins *2	1,5	1,5	1,5	Sensibilité de courant 20 A *3	16	16	20
F0 = 25A ou moins *2	2,5	2,5	2,5	Sensibilité de courant 30 A *3	25	25	30
F0 = 32A ou moins *2	4,0	4,0	4,0	Sensibilité de courant 40 A *3	32	32	40

Appliquez à IEC61000-3-3 environ l'impédance max. de système autorisée.

*1 Le disjoncteur de fuite à la terre doit prendre en charge le circuit onduleur.

Le disjoncteur de fuite à la terre doit se combiner à l'utilisation du commutateur local ou du disjoncteur de câblage.

*2 Prenez la plus grande des deux valeurs F1 ou F2 comme valeur pour F0.

F1 = Courant total maximum de fonctionnement des appareils intérieurs × 1,2

F2 = {V1 × (Quantité de type1)/C} + {V1 × (Quantité de type2)/C} + {V1 × (Quantité de type3)/C} + {V1 × (Quantité d'autres)/C}

Appareil intérieur		V1	V2
Type 1	PLFY-VBM, PMFY-VBM, PEFY-VMS, PFFY-VKM, PCFY-VKM, PKFY-VHM, PKFY-VKM, PLFY-VCM	18,6	2,4
Type 2	PEFY-VMA	38	1,6
Type 3	PEFY-VMHS	13,8	4,8
Autres	Autre appareil intérieur	0	0

C : Multiple de courant de déclenchement au temps de déclenchement 0,01 s

Prenez "C" dans les caractéristiques de déclenchement du disjoncteur.

<Exemple de calcul "F2">

*Condition PEFY-VMS × 4 + PEFY-VMA × 1, C = 8 (reportez-vous au diagramme de droite)

$$F2 = 18,6 \times 4/8 + 38 \times 1/8$$

$$= 14,05$$

→ disjoncteur 16A (courant de déclenchement = 8 × 16A à 0,01s)

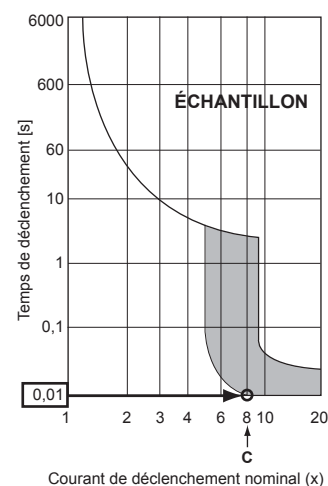
*3 La sensibilité de courant est calculée selon la formule suivante.

$$G1 = V2 \times (\text{Quantité de Type1}) + V2 \times (\text{Quantité de Type2}) + V2 \times (\text{Quantité de Type3}) + V2 \times (\text{Quantité d'autres}) + V3 \times (\text{Longueur câble [km]})$$

G1	Sensibilité de courant
30 ou moins	30 mA 0,1 sec ou moins
100 ou moins	100 mA 0,1 sec ou moins

Épaisseur câble	V3
1,5 mm ²	48
2,5 mm ²	56
4,0 mm ²	66

Diagramme d'échantillon



6.3. Types de câbles de commandes

1. Câblage des câbles de transmission

Type de câble de transmission	Fil blindé CVVS ou CPEVS
Diamètre du câble	Supérieur à 1,25 mm ²
Longueur	Inférieure à 200 m

2. Câbles de la Commande à distance M-NET

Type de câble de commande à distance	Câble blindé MVVS
Diamètre du câble	Entre 0,5 et 1,25 mm ²
Longueur	Longueur du câble de commande à distance qui dépasse 10 m à la longueur de câble de transmission dont la longueur maximum autorisée est 200 m.

3. Câbles de la Commande à distance MA

Type de câble de commande à distance	Câble à deux conducteurs (non blindé)
Diamètre du câble	De 0,3 à 1,25 mm ²
Longueur	Inférieure à 200 m

6. Installations électriques

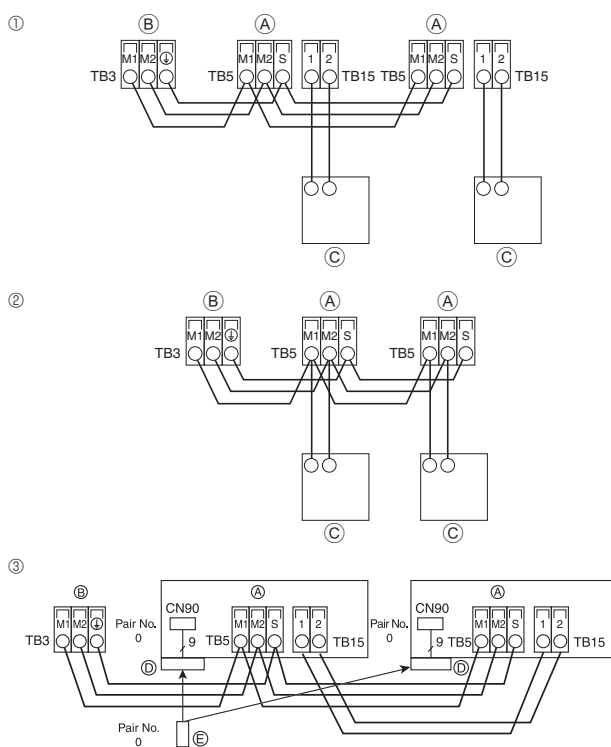


Fig. 6-3

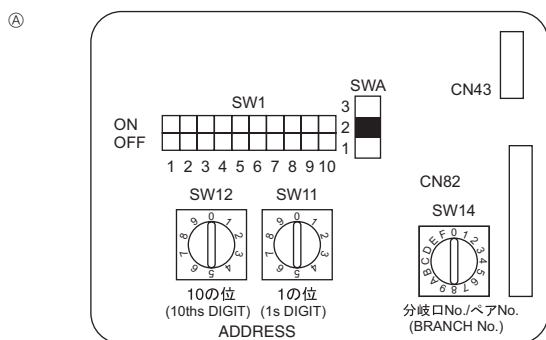


Fig. 6-4

6.4. Raccordement des câbles de la commande à distance et des câbles de transmission intérieurs et extérieurs (Fig. 6-3)

- Raccorder l'unité intérieure TB5 et l'unité intérieure TB3. (2 fils non polarisés)
Le "S" sur l'unité intérieure TB5 est une connexion pour câbles blindé. Pour les spécifications techniques des câbles de connexion, se reporter au manuel d'installation de l'appareil extérieur.
 - Installer une commande à distance conformément aux instructions du manuel fourni avec la commande à distance.
 - Raccorder le câble de transmission de la commande à distance à l'aide d'un câble de 0,75 mm² de diamètre d'une longueur de 10 m maximum. Si la longueur nécessaire est supérieure à 10 m, utiliser un câble de raccordement de 1,25 mm² de diamètre.
- Commande à distance MA
 - Connecter les points "1" et "2" de la borne TB15 de l'appareil intérieur à une commande à distance MA. (2 fils non polarisés)
 - CC de 9 à 13 V entre 1 et 2 (Commande à distance MA)
 - Commande à distance M-NET
 - Connecter les points "M1" et "M2" de la borne TB5 de l'appareil intérieur à une commande à distance M-NET. (2 fils non polarisés)
 - CC de 24 à 30 V entre M1 et M2 (Commande à distance M-NET)
 - Télécommande sans fil (lors de l'installation d'un récepteur de signaux sans fil)
 - Relier le fil du récepteur de signaux sans fil (câble 9 pôles) au connecteur CN90 du bornier du contrôleur intérieur.
 - Lorsque plus de deux appareils sont utilisés dans le cadre d'une commande groupée à l'aide de la télécommande sans fil, connecter correctement TB15.
 - Pour modifier le réglage du numéro de paire, consulter le manuel d'installation accompagnant la télécommande sans fil. (Le numéro de paire de l'appareil intérieur et de la télécommande est réglé sur 0 par défaut.)
- (A) Bloc de sortie du câble de transmission intérieur
 (B) Bloc de sortie du câble de transmission extérieur (M1(A), M2(B), (S))
 (C) Télécommande
 (D) Récepteur de signaux sans fil
 (E) Télécommande sans fil

6.5. Configuration des adresses (Fig. 6-4)

(Toujours effectuer ces opérations lorsque le système est hors tension.)

- Il existe deux types de réglages de commutateurs rotatifs disponibles, pour le réglage des adresses de 1 à 9 et au-dessus de 10 et pour le réglage du nombre de ramifications.
- Réglage des adresses
 - Exemple : Si l'adresse est "3", conservez SW12 (au-dessus de 10) sur "0" et basculez SW11 (1 à 9) sur "3".
 - Réglage des numéros de branche SW14 (série R2 uniquement)
 - Réglez le tuyau de réfrigérant de l'unité intérieure sur le numéro de connexion d'extrémité du contrôleur BC.
 - Conservez les autres réglages (sauf série R2) sur "0".
- Les interrupteurs rotatifs sont tous réglés sur "0" par défaut (sortie usine). Ces interrupteurs peuvent être utilisés pour régler l'adresse des unités et les numéros de branche.
 - La détermination de l'adresse des unités intérieures varie en fonction du système sur site. Procédez au réglage conformément au manuel de référence.

6.6. Détection de la température ambiante à l'aide du capteur intégré à la télécommande

Si vous souhaitez détecter la température ambiante à l'aide du capteur intégré à une télécommande, réglez SW1-1 sur "ON" (activation) sur la carte de commande. Si SW1-7 et SW1-8 sont correctement réglés, il est possible d'ajuster le flux d'air lorsque le thermomètre de chauffage est désactivé

6.7. Caractéristiques électriques

Acronymes : MCA : Ampères max. circuit (= 1,25×FLA) FLA : Ampères pleine charge
IFM : Moteur ventilateur intérieur Sortie : Sortie nominale moteur ventilateur

Modèle	Alimentation			IFM	
	Volts/ Hz	Plage +/- 10 %	MCA (A)	Sortie (kW)	FLA (A)
PKFY-P63VKM-E	220-240 V / 50Hz	Max.: 264 V	0,36	0,056	0,29
PKFY-P100VKM-E	220 V / 60Hz	Min.: 198 V	0,63	0,056	0,50

7. Marche d'essai

7.1. Avant la marche d'essai

- ▶ Lorsque l'installation, le tuyautage et le câblage des appareils intérieur et extérieur sont terminés, vérifier l'absence de fuites de réfrigérant, la fixation des câbles d'alimentation et de commande, l'absence d'erreur de polarité et contrôler qu'aucune phase de l'alimentation n'est déconnectée.
- ▶ Utiliser un mégohm-mètre de 500 V pour s'assurer que la résistance entre les terminaux d'alimentation électrique et la terre soit au moins de 1,0 MΩ.

- ▶ Ne pas effectuer ce test sur les terminaux des câbles de contrôle (circuit à basse tension).

⚠ Avertissement:

Ne pas utiliser le climatiseur si la résistance de l'isolation est inférieure à 1,0 MΩ.

Interface de la télécommande

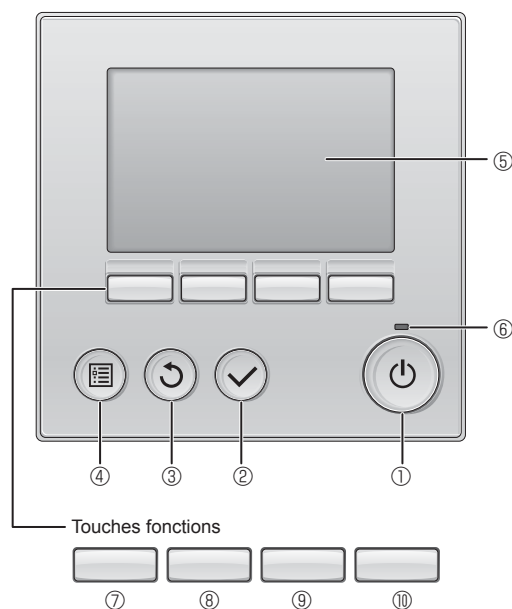


Fig. 7-1

7.2. Marche d'essai

Utiliser une des 3 méthodes suivantes.

7.2.1. Utilisation de la télécommande filaire (Fig. 7-1)

① Touche [MARCHE / ARRÊT]

Pressez pour allumer ou éteindre l'appareil intérieur.

② Touche [CHOIX]

Pressez pour enregistrer les paramètres.

③ Touche [RETOUR]

Pressez pour revenir à l'écran précédent.

④ Touche [MENU]

Pressez pour ouvrir le Menu général.

⑤ Écran LCD rétroéclairé

Les paramètres de fonctionnement s'affichent.

Lorsque le rétroéclairage est éteint, appuyer sur une touche l'allume, et il reste allumé pendant un certain temps en fonction de l'affichage.

Lorsque le rétroéclairage est éteint, appuyer sur une touche ne fait que l'allumer, sans exécuter la fonction. (à l'exception du bouton [MARCHE / ARRÊT])

⑥ Voyant Marche / Arrêt

Cette lampe s'allume en vert lorsque le système est en fonctionnement. Elle clignote lorsque la télécommande est en cours de démarrage ou en cas d'erreur.

⑦ Touche fonction [F1]

Ecran principal : Pressez pour régler le mode de fonctionnement.

Menu général : Pressez pour faire descendre le curseur.

⑧ Touche fonction [F2]

Ecran principal : Pressez pour diminuer la température.

Menu général : Pressez pour faire monter le curseur.

⑨ Touche fonction [F3]

Ecran principal : Pressez pour augmenter la température.

Menu général : Pressez pour revenir à l'écran précédent.

⑩ Touche fonction [F4]

Ecran principal : Pressez pour changer la vitesse du ventilateur.

Menu général : Pressez pour aller à la page suivante.

Étape 1 Placez la télécommande sur "Test run" (Test fonctions).

- ① Sélectionnez "Service" dans le menu général puis appuyez sur le bouton (✓).
- ② Lorsque le menu SAV est sélectionné, une fenêtre vous invitant à saisir le mot de passe apparaît. (Fig. 7-2)
Pour entrer le mot de passe maintenance actuel (4 chiffres numériques), déplacez le curseur sur le chiffre à modifier à l'aide du bouton [F1] ou [F2], puis définissez chaque nombre (0 à 9) à l'aide du bouton [F3] ou [F4]. Appuyez ensuite sur le bouton (✓).

Remarque : Le mot de passe maintenance initial est "9999". Modifiez le mot de passe par défaut dès que nécessaire pour éviter tout accès non autorisé. Gardez le mot de passe à portée de main pour les utilisateurs qui en auraient besoin.

Remarque : Si vous oubliez votre mot de passe maintenance, vous pouvez initialiser le mot de passe sur le mot de passe par défaut ("9999") en appuyant simultanément sur les boutons [F1] et [F2] pendant trois secondes sur l'écran de réglage du mot de passe maintenance.

- ③ Sélectionnez "Test run" (Test fonctions) à l'aide du bouton [F1] ou [F2] puis appuyez sur le bouton (✓). (Fig. 7-3)
- ④ Sélectionnez "Test run" (Test fonctions) à l'aide du bouton [F1] ou [F2] puis appuyez sur le bouton (✓). (Fig. 7-4)

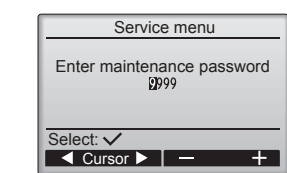


Fig. 7-2

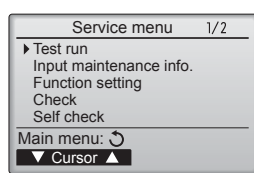


Fig. 7-3

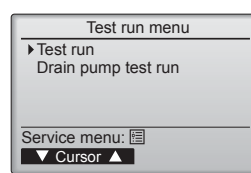





Fig. 7-4

7. Marche d'essai

Étape 2 Effectuez le test fonctions et vérifiez la température du courant d'air et le volet automatique.

- ① Appuyez sur le bouton [F1] pour changer de mode de fonctionnement dans l'ordre "Cool" (Froid) et "Heat" (Chaud). (Fig. 7-5)
 Mode de refroidissement : vérifiez si la soufflerie souffle de l'air froid.
 Mode de chauffage : vérifiez si la soufflerie souffle de l'air chaud.
 * Vérifiez le fonctionnement du ventilateur de l'appareil extérieur.
- ② Appuyez sur la touche  pour ouvrir l'écran de réglage des volets.

Contrôle du volet AUTO

- ① Vérifiez le volet automatique à l'aide des boutons [F1] [F2]. (Fig. 7-6)
- ② Appuyez sur le bouton  pour revenir à l'écran "Test run" (Test fonctions).
- ③ Appuyez sur le bouton .

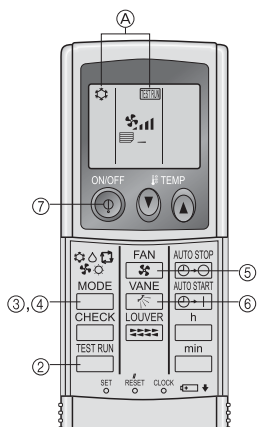


Fig. 7-7

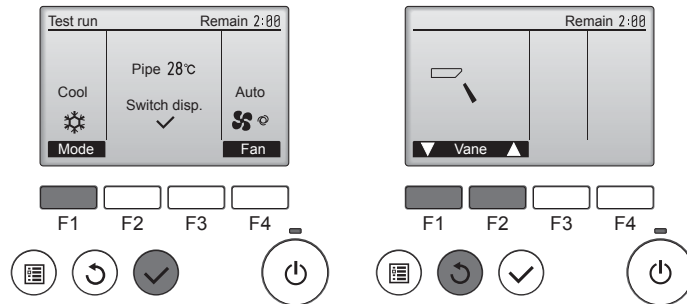








Fig. 7-5

Fig. 7-6

7.2.2. Utilisation de la télécommande sans fil (Fig. 7-7)

- ① Mettre l'appareil sous tension au moins 12 heures avant l'essai de fonctionnement.
- ② Appuyer sur le bouton  deux fois sans le relâcher. (Commencer cette opération alors que l'affichage de la télécommande est éteint.)
 A  et le mode d'opération en cours sont affichés.
- ③ Pousser le bouton  pour activer le mode rafraîchissement COOL, puis vérifier que l'appareil expulse de l'air frais.
- ④ Pousser le bouton  pour activer le mode chauffage HEAT, puis vérifier que l'appareil expulse de l'air chaud.
- ⑤ Appuyer sur la touche  et vérifier si la vitesse de la soufflerie change.
- ⑥ Pousser le bouton de la vanne  et vérifier que la vanne automatique marche proprement.
- ⑦ Pousser le bouton de marche/arrêt ON/OFF pour arrêter l'essai.

Remarque:

- Diriger la télécommande vers le récepteur de l'appareil intérieur durant les étapes ② à ⑦.
- Il n'est pas possible de faire fonctionner les modes ventilateur (FAN), de déshumidification (DRY) ou automatique (AUTO).

Inhoud

1. Veiligheidsvoorschriften.....	41	5. Installatie van Draineerbuizen	48
2. Plaats	42	6. Elektrische aansluitingen.....	49
3. Het binnenapparaat installeren	42	7. Proefdraaien.....	52
4. Installeren van de koelstofleidingen	46		

Opmerking:

De term "Bedrade afstandsbediening" in deze handleiding refereert aan de PAR-32MAA.

Zie de installatiehandleiding of handleiding voor de basisinstellingen die bij deze dozen zijn geleverd voor meer informatie over de andere afstandsbediening.

1. Veiligheidsvoorschriften

- ▶ Lees alle "Veiligheidsvoorschriften" voordat u het apparaat installeert.
- ▶ Stel de aanleverende instantie op de hoogte of vraag om toestemming voordat u dit systeem aansluit op het elektriciteitsnet.

⚠ Waarschuwing:

Beschrijft maatregelen die genomen moeten worden om het risico van verwonding of dood van de gebruiker te voorkomen.

⚠ Voorzichtig:

Beschrijft maatregelen die genomen moeten worden om schade aan het apparaat te voorkomen.

Informeer de klant na voltooiing van de installatie over de "Veiligheidsvoorschriften", het gebruik en het onderhoud van het apparaat en laat het apparaat proefdraaien om de werking ervan te controleren. Zowel de installatie- als de gebruikershandleiding dienen ter bewaring aan de gebruiker te worden gegeven. Deze handleidingen dienen te worden doorgegeven aan latere gebruikers.

⚠ Waarschuwing:

- Vraag de dealer of een erkende installateur om de airconditioner te installeren.
- De gebruiker dient zich te onthouden van pogingen het apparaat te repareren of te verplaatsen naar een andere locatie.
- Installeer het apparaat op een plaats die het gewicht ervan kan dragen.
- Gebruik uitsluitend de gespecificeerde kabels voor het verbinden. De aansluitingen moeten stevig vastzitten zonder druk op de aansluitpunten. Splits de kabels nooit voor het bedraden (tenzij in deze handleiding anders wordt aangegeven). Het niet opvolgen van deze aanwijzingen kan leiden tot oververhitting of brand.
- Gebruik alleen onderdelen die door Mitsubishi Electric zijn goedgekeurd en vraag de zaak waar u het apparaat gekocht heeft of een erkend bedrijf om ze te installeren.
- Raak de vinnen van de warmtewisselaar niet aan.
- Installeer de airconditioner volgens deze installatiehandleiding.
- Laat het aanleggen van de elektrische leidingen altijd uitvoeren door een erkend elektricien en zorg dat dit gebeurt volgens de plaatselijk geldende regels.
- Installeer het apparaat conform de nationaal geldende regels.
- Als de voedingskabel beschadigd is, moet die worden vervangen door

⚠ Voorzichtig:

- Als de koelstof die u gebruikt R410A is, gebruik dan nooit de bestaande koelleidingen.
- Gebruik esterolie, etherolie of alkalibenzeen (kleine hoeveelheid) als koelmachineolie voor de coating van soldeerverbindingen en andere koppelingen, als u R410A-koelstof gebruikt.
- Gebruik de airconditioner niet in een ruimte waar zich voedsel, dieren, planten, precisie-instrumenten of kunstwerken bevinden.
- Gebruik de airconditioner niet in speciale ruimtes.
- Het apparaat aarden.
- Zorg dat er, zoals vereist, een stroomonderbreker wordt geïnstalleerd.

- ⊘ : Geeft een handeling aan die u beslist niet moet uitvoeren.
- ⚠ : Geeft aan dat er belangrijke instructies opgevolgd moeten worden.
- ⚡ : Geeft een onderdeel aan dat geaard moet worden.
- ⚠ : Betekent dat u voorzichtig moet zijn met draaiende onderdelen..
- ⚠ : Geeft aan dat het apparaat moet worden uitgezet voor onderhoud.
- ⚠ : Geeft aan dat er een risico van elektrische schokken bestaat.
- ⚠ : Geeft aan dat u op dient te passen voor hete oppervlakken.
- ⚠ ELV : Bij onderhoud dient u de spanning voor zowel het binnenapparaat als het buitenapparaat geheel uit te zetten.

⚠ Waarschuwing:

Lees de stickers die op het apparaat zitten zorgvuldig.

de fabrikant, diens serviceverlener of een vergelijkbaar gekwalificeerde persoon, om gevaren te vermijden.

- Als de airconditioner in een kleine ruimte wordt geïnstalleerd, moeten er maatregelen worden genomen om te voorkomen dat de concentratie koelstof in de ruimte hoger is dan de veiligheidsgrens bij eventuele lekkage van koelstof.
- De onderdelen waaruit stukken zijn geponst kunnen verwondingen veroorzaken door de scherpe randen. Draag bij het installeren beschermende handschoenen.
- Gebruik bij het installeren of verplaatsen van het apparaat uitsluitend de voorgeschreven koelstof (R410A) voor het vullen van de koelstofpijpen. Meng de koelstof niet met andere koelstoffen en let erop dat er geen lucht in de pijpen achterblijft. Als de koelstof wordt gemengd met lucht, kan dit een uitzonderlijk hoge druk in de koelstofpijp tot gevolg hebben. Dit kan resulteren in explosiegevaar en andere gevaren. Als er een andere koelstof wordt gebruikt dan de voorgeschreven koelstof, heeft dit mechanische storingen, storingen van het systeem of uitvallen van het apparaat tot gevolg. In het ergste geval kan de veiligheid van het product ernstig in gevaar komen.

- Gebruik voor de elektrische aansluitingen kabels met voldoende stroomcapaciteit.
- Gebruik alleen een stroomonderbreker en zekeringen met de gespecificeerde capaciteit.
- Raak schakelaars nooit met natte vingers aan.
- Raak de koelstofpijpen niet met blote handen aan terwijl de airconditioner werkt of vlak nadat deze heeft gewerkt.
- Gebruik de airconditioner niet wanneer de panelen en beveiligingen zijn verwijderd.
- Zet de netspanning niet onmiddellijk na gebruik van het apparaat uit.

2. Plaats

■ PKFY-P-VKM-E

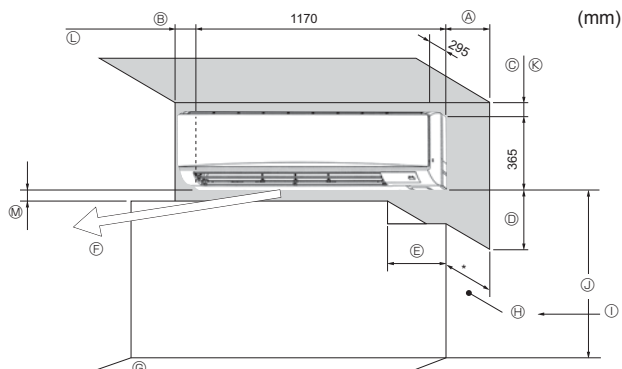


Fig. 2-1

2.1. Buitenafmetingen (Binnenapparaat) (Fig. 2-1)

Kies een geschikte plaats waarbij u rekening moet houden dat u de hiernavolgende ruimte vrij moet laten voor installatie en onderhoud.

■ PKFY-P-VKM-E

(mm)

A	B	C	D	E
Min. 100,5	Min. 52,3	Min. 48	Min. 250	Min. 220

- Ⓕ Luchtuitlaat: Plaats geen obstakels binnen 1500 mm van de luchtuitlaat.
- Ⓖ Vloeroppervlak
- Ⓗ Stoffering
- Ⓘ Als een gordijnrail of iets dergelijks meer dan 60 mm uit de muur steekt, moet u meer ruimte reserveren omdat de luchtstroom van de ventilator anders afgesneden kan worden.
- Ⓢ 1800 mm of meer boven het vloeroppervlak (voor bevestiging los van de grond)
- Ⓚ 108 mm of meer bij installatie met leiding links of links aan achterzijde en optionele afvoerpomp
- Ⓛ 550 mm of meer bij installatie van optionele afvoerpomp
- Ⓜ Minimaal 7 mm: 265 mm of meer bij installatie van optionele afvoerpomp

3. Het binnenapparaat installeren

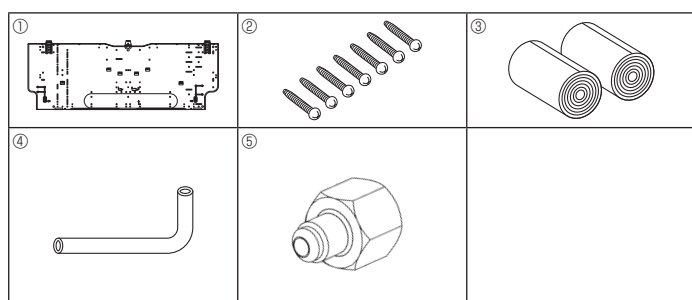


Fig. 3-1

■ PKFY-P-VKM-E

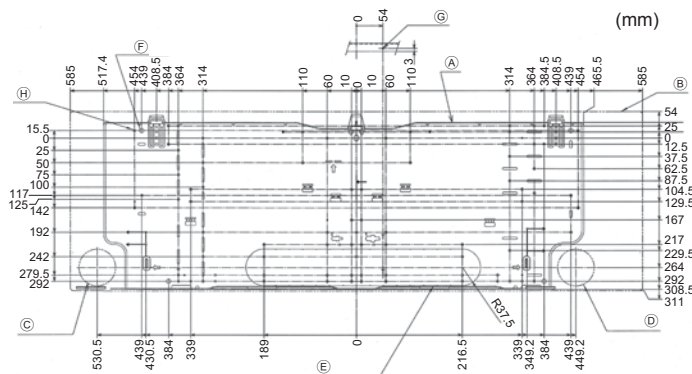


Fig. 3-2

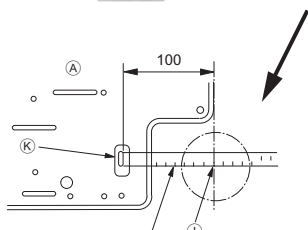


Fig. 3-3

3.1. Controleer de accessoires voor het binnenapparaat (Fig. 3-1)

De volgende accessoires horen bij het binnenapparaat te zijn meegeleverd.

ONDERDEELNUMMER	ACCESSOIRE	HOEEVEELHEID		PLAATS
		P63	P100	
①	Ophangplaat	1	1	Aan de achterkant van het apparaat bevestigen
②	Zelftappende schroef 4 × 25	7	7	
③	Viltband	2	2	
④	L-vormige verbindingspijp	1	1	
⑤	Lastmoer	1	1	

3.2. De muurbevestigingsmal aanbrengen

3.2.1. De muurbevestigingsmal aanbrengen en de plaats van de pijpen bepalen

► Bepaal met behulp van de muurbevestigingsmal de plaats waar het apparaat geïnstalleerd moet worden en waar de gaten voor de pijpen geboord moeten worden.

⚠ Waarschuwing:

Neem contact op met de eigenaar van het gebouw voordat u gaten in de muur gaat boren.

■ PKFY-P-VKM-E (Fig. 3-2)

- Ⓐ Ophangplaat ①
- Ⓑ Binnenunit
- Ⓒ Pijpopening linkszonder achter (ø75-ø80)
- Ⓓ Pijpopening rechtszonder achter (ø75-ø80)
- Ⓔ Doordrukopening voor bevestigingsplaats linkszonder achter (75 × 480)
- Ⓕ Opening voor bout (4-ø9)
- Ⓖ Midden van unit (ø2,5)
- Ⓗ Tapgat (75-ø5,1)
- Ⓘ Midden gat
- Ⓢ Zet de schaal op de lijn.
- Ⓚ Schaal invoegen.

3.2.2. Het gat voor de pijpleiding boren (Fig. 3-3)

► Maak op de plaats die aan de linkerkant op de tekening is aangegeven, met een kernboor een gat door de muur met een diameter van 75-80 mm, in de richting van de pijpen.

► Het gat door de muur moet aflopen, zodat de opening aan de buitenkant lager is dan het gat aan de binnenkant.

► Plaats een mof (diameter 75 mm, niet meegeleverd) in het gat.

Opmerking:

Het gat moet enigszins aflopen omdat de afvoer hierdoor beter verloopt.

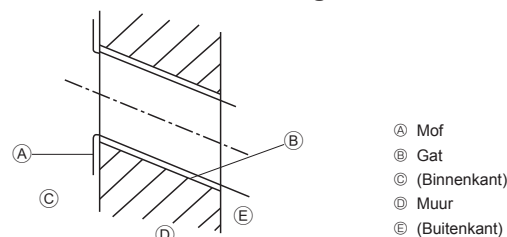


Fig. 3-3

3. Het binnenapparaat installeren

■ PKFY-P-VKM-E

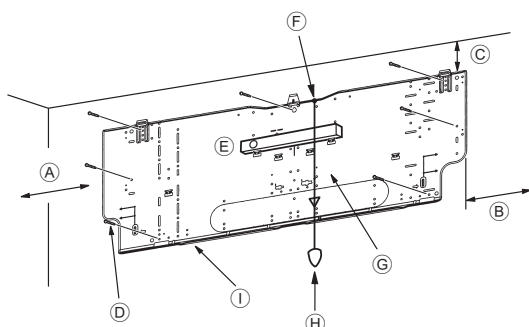


Fig. 3-4

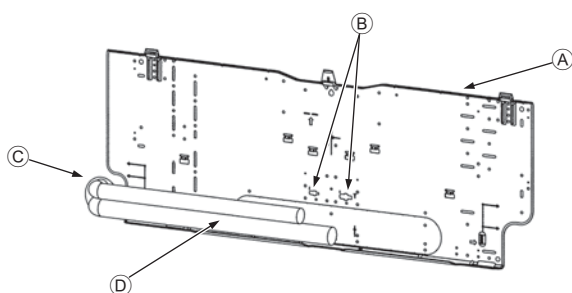


Fig. 3-5

■ PKFY-P-VKM-E

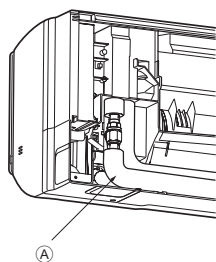


Fig. 3-6

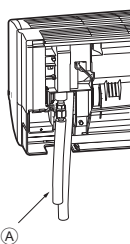


Fig. 3-7



Fig. 3-8

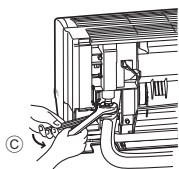


Fig. 3-9

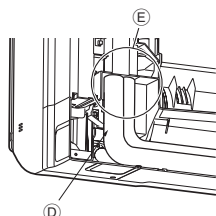


Fig. 3-10

3.2.3. De muurbevestigingsmal aanbrengen

- ▶ Aangezien het binnenapparaat bijna 22 kilo weegt, moet de inbouwplaats met zorg worden uitgekozen. Als de muur niet sterk genoeg lijkt, kunt u hem verstevigen met behulp van platen of balken.
- ▶ De muurbevestigingsmal moet aan weerszijden en indien mogelijk ook in het midden worden bevestigd. Zet hem nooit op één plaats vast en zorg altijd dat de mal symmetrisch bevestigd is (het beste is de mal te bevestigen op alle plaatsen die met een vette pijl staan aangegeven).

⚠ Waarschuwing:

Bevestig de muurbevestigingsmal indien mogelijk op alle plaatsen die met een vette pijl gemarkeerd zijn.

⚠ Voorzichtig:

- Het apparaat moet horizontaal gemonteerd worden.
- Naak vast bij de gaten aangegeven met ▲.

■ PKFY-P-VKM-E (Fig. 3-4)

- Ⓐ Min. 120 mm (617,6 mm of meer bij installatie van optionele afvoerpomp)
- Ⓑ Min. 220 mm
- Ⓒ Min. 70 mm (130 mm of meer bij installatie van een leiding links, linksachter of links onder en optionele afvoerpomp)
- Ⓓ Bevestigingsschroeven (4 × 25) ②
- Ⓔ Niveau
- Ⓕ Bevestig een draad aan het gat.
- Ⓖ Plaats de waterpas tegen de horizontale referentielijn van de ophangplaat zodat het apparaat waterpas hangt. Hang een gewicht aan de draad en lijn deze uit met ▽ EPK van de ophangplaat.
- Ⓗ Gewicht
- Ⓘ Ophangplaat ①

3.3. Bij het inbrengen van de pijpen in de muur (Fig. 3-5)

- De pijpen bevinden zich links onder.
 - Als de koelpijp, de afvoerpijpen, de verbindinglijnen tussen de binnen- en buitenunit, enzovoort op voorhand in de muur moeten worden aangebracht, moet u de uitstekende pijpen wellicht buigen en de lengte van de pijpen aan de unit aanpassen.
 - Gebruik de markeringen op de ophangplaat als referentie voor het bijstellen van de lengte van de in de muur opgenomen koelpijp.
 - Zorg tijdens het werk voor voldoende speling in de lengte van de uitstekende pijpen.
- Ⓐ Ophangplaat ①
 - Ⓑ Referentiemarkering voor verbinding
 - Ⓒ Door gat
 - Ⓓ Leidingen in muur

3.4. De binnenunit voorbereiden

- * Controleer de leidingen vóórdat u begint omdat het voorbereidende werk afhankelijk is van de richting van de leidingen.
- * Als u een leiding gaat buigen, doe dat dan geleidelijk en houd daarbij het uitstekende deel van de leiding aan de basis vast. (Als u de leidingen te snel buigt, kan dat tot ongewenste vormen leiden.)

■ PKFY-P-VKM-E

Bevestiging van de L-vormige verbindingspijp ④

Leidingen rechts, links en achteraan (Fig. 3-6)

1. Verwijder de flensmoer en het kapje van de binnenunit. (alleen gasleiding)
 2. Breng koelolie aan op de aansluitingsoppervlakken. (voorbereiding op de locatie)
 3. Maak de aansluiting op de opening van de knelkoppeling op de binnenunit in de richting waarin de L-vormige verbindingspijp ④ wordt verwijderd.
 4. Draai de flensmoer aan met een steeksleutel. (Fig. 3-9)
Aanhaalmoment: 68 tot 82 Nm
 5. Bevestig de lastmoer ⑤ aan de zijbevestiging van de vloeistofpijp en controleer of de L-vormige verbindingspijp ④ niet lekt.
Verwijder de lastmoer ⑤ als de bevestiging is voltooid.
Aanhaalmoment: 34 tot 42 Nm
 6. Bedek de knelkoppeling met de pijpafdekking van de L-vormige verbindingspijp ④ zodat die niet zichtbaar is. (Fig. 3-10)
- Ⓐ L-vormige verbindingspijp ④
 - Ⓑ Afsnijpunt (recht deel van de leiding)
 - Ⓒ Aandraairichting
 - Ⓓ Afdekken met pijpafdekking
 - Ⓔ De verbinding met de flensmoer met de pijpafdekking afdekken.

Leiding aan de onderzijde (Fig. 3-7)

1. Snijd de L-vormige verbindingspijp ④ op de positie die in figuur 3-8 wordt aangegeven.
2. Plaats de flensmoer die u eerder had verwijderd op de rechte zijde van de afgesneden L-vormige verbindingspijp ④ en tromp vervolgens het einde van de leiding op.
3. Verwijder de flensmoer en het kapje van de binnenunit. (alleen gasleiding)
4. Breng koelolie aan op de aansluitingsoppervlakken. (voorbereiding op de locatie)
5. Bevestig direct daarna de L-vormige verbindingspijp ④ die u onder punt 2) hebt bewerkt op de knelkoppeling van de binnenunit.
6. Draai de flensmoer aan met een steeksleutel. (Fig. 3-9)
Aanhaalmoment: 68 tot 82 Nm
7. Bevestig de lastmoer ⑤ aan de zijbevestiging van de vloeistofpijp en controleer of de L-vormige verbindingspijp ④ niet lekt.
Verwijder de lastmoer ⑤ als de bevestiging is voltooid.
Aanhaalmoment: 34 tot 42 Nm
8. Bedek de knelkoppeling met de pijpafdekking van de L-vormige verbindingspijp ④ zodat die niet zichtbaar is. (Fig. 3-10)

3. Het binnenapparaat installeren

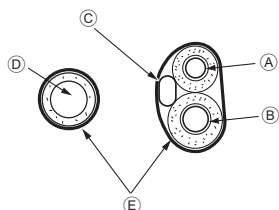


Fig. 3-11

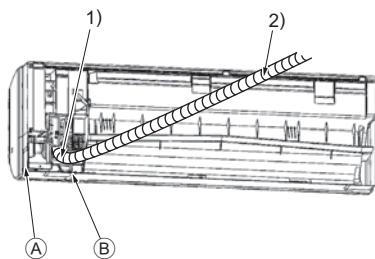


Fig. 3-12

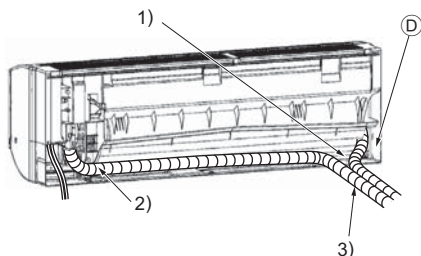
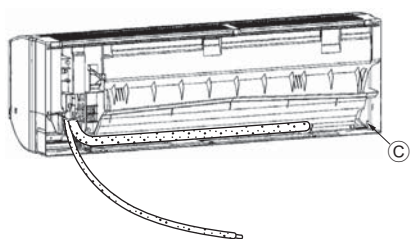


Fig. 3-13

Controle op lekkage van de aansluiting van de L-vormige verbindingspijp

1. Bevestig de lastmoer ⑤ aan de zijbevestiging van de vloeistofpijp.
Aanhaalmoment: 34 tot 42 Nm
2. Voer de druk op door de pijp via de lastmoer met stikstof te vullen.
Voer de druk niet meteen op tot het constante niveau. Voer de druk geleidelijk op.
 - 1) Voer de druk op tot 0,5 MPa (5 kgf/cm²G), wacht vijf minuten en controleer vervolgens of de druk niet terugloopt.
 - 2) Voer de druk op tot 1,5 MPa (15 kgf/cm²G), wacht vijf minuten en controleer vervolgens of de druk niet terugloopt.
 - 3) Voer de druk op tot 4,15 MPa (41,5 kgf/cm²G) en meet de omgevingstemperatuur en koelstofdruk.
3. Als de gespecificeerde druk ongeveer een dag lang aanwezig blijft en niet terugloopt, zijn de pijpen in orde en zijn er geen lekkages.
 - Als de omgevingstemperatuur verandert met 1°C zal de druk veranderen met ongeveer 0,01 MPa (0,1 kgf/cm²G). Voer de nodige aanpassingen uit.
4. Als de druk in stap (2) of (3) terugloopt, is er een gaslek. Zoek het lek.

Het losmaken en behandelen van de pijpen en de bedrading (Fig. 3-11)

1. Het aansluiten van de bedrading binnen/buiten → Zie pagina. 47.
 2. Wikkel de viltband ③ om het deel van de koelleiding en de afvoerleiding dat in de leidingruimte van de binneneenheid wordt geplaatst.
 - Wikkel de viltband ③ nauwkeurig om iedere koelleiding en afvoerleiding, te beginnen vanaf de basis.
 - Overlap de viltband ③ telkens met een halve bandbreedte.
 - Maak het einde van de viltband vast met vinylband.
- ④ Vloeistofpijp
 ⑤ Gaspijp
 ⑥ Verbindingskabel binnen/buiten
 ⑦ Afvoerleiding
 ⑧ Viltband ③
3. Bevestig de afvoerleiding niet opwaarts en zorg ervoor dat deze geen contact maakt met de behuizing van de binneneenheid.
Trek niet te hard aan de afvoerleiding omdat die anders losraakt.

Leidingen aan de achterzijde, rechterzijde en onderzijde (Fig. 3-12)

- 1) Bevestig de afvoerleiding niet opwaarts en zorg ervoor dat deze geen contact maakt met de behuizing van de binneneenheid.
Zorg ervoor dat de afvoerleiding onder de andere leidingen is geplaatst en wikkel de afvoerleiding in viltband ③.
- 2) Wikkel de viltband ③ vanaf de basis nauwkeurig om de leiding. (Overlap de viltband telkens met een halve bandbreedte.)
 - ④ Afsnijpunt voor rechterleiding.
 - ⑤ Afsnijpunt voor onderste leiding.

Leidingen links en linksachter (Fig. 3-13)

4. Vervanging afvoerleiding → Zie 6. Installatie van afvoerleidingen
Zorg ervoor dat u de afvoerleiding en de draineerkap vervangt voor de leidingen aan de linkerzijde en linksachter. Als u deze onderdelen niet installeert of vervangt, kan dat druppelen tot gevolg hebben.
- ⑥ Draineerkap
- 1) Bevestig de afvoerleiding niet opwaarts en zorg ervoor dat deze geen contact maakt met de behuizing van de binneneenheid.
 - 2) Wikkel de viltband ③ vanaf de basis nauwkeurig om de leiding. (Overlap de viltband telkens met een halve bandbreedte.)
 - 3) Maak het einde van de viltband ③ met vinylband vast.
 - ⑦ Afsnijpunt voor linkerleiding.

3. Het binnenapparaat installeren

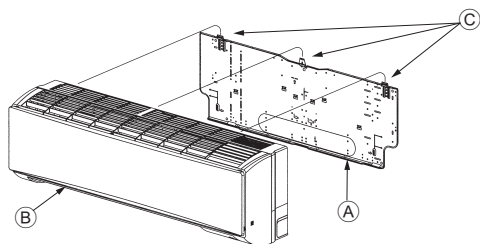


Fig. 3-14

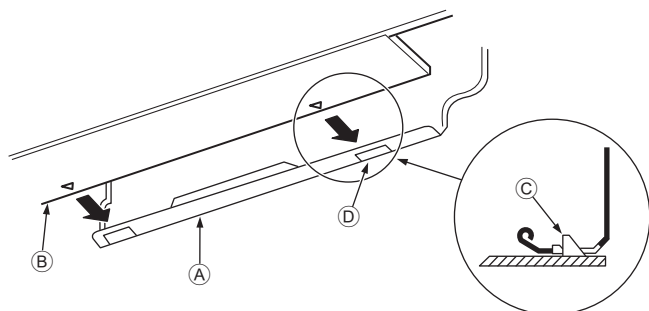


Fig. 3-15

■ PKFY-P-VKM-E

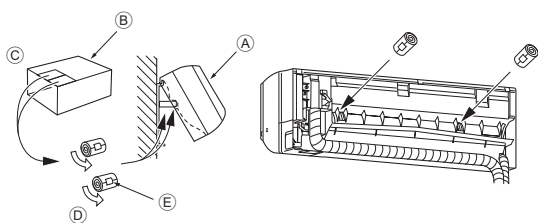


Fig. 3-16

3.5. De binnenunit monteren

1. Bevestig de ophangplaat ① aan de muur.
2. Hang de binnenunit aan de haak aan de bovenzijde van de ophangplaat.

Leidingen aan de achterzijde, rechterzijde en onderzijde (Fig. 3-14)

3. Terwijl u de koelleiding en de afvoerleiding in het gat in de muur steekt, hangt u de bovenzijde van de binnenunit aan de ophangplaat ①.

4. Verplaats de binnenunit naar links en naar rechts en controleer of het apparaat stevig hangt.

5. Duw vervolgens het onderste gedeelte van de binnenunit op de ophangplaat ① om het apparaat te bevestigen. (Fig. 3-15)

* Controleer of de knoppen aan de onderzijde van de binnenunit stevig in de ophangplaat ① zijn bevestigd.

6. Controleer nadat de installatie is voltooid of de binnenunit waterpas is bevestigd.

① Ophangplaat

② Binnenunit

③ Haak

④ Vierkant gat

Leidingen links en linksachter (Fig. 3-16)

3. Terwijl u de afvoerleiding in het gat in de muur steekt, hangt u de bovenzijde van de binnenunit aan de ophangplaat ①.

Voor de correcte plaatsing van de leidingen verplaatst u het apparaat helemaal naar links, snijdt u een deel van het verpakingskarton af en rolt u dat cilindervormig op zoals aangegeven in de figuur. Bevestig de rollen aan de achterzijde van het apparaat om het apparaat van de muur te houden.

4. Sluit de koelleiding aan op de koelleiding van het gebouw.

5. Duw vervolgens het onderste gedeelte van de binnenunit op de ophangplaat ① om het apparaat te bevestigen.

* Controleer of de knoppen aan de onderzijde van de binnenunit stevig in de ophangplaat ① zijn bevestigd.

6. Controleer nadat de installatie is voltooid of de binnenunit waterpas is bevestigd.

① Binnenunit

② Verpakingskarton

③ Afsnijden

④ Cilindervormig oprollen

⑤ Met band bevestigen

4. Installeren van de koelstofleidingen

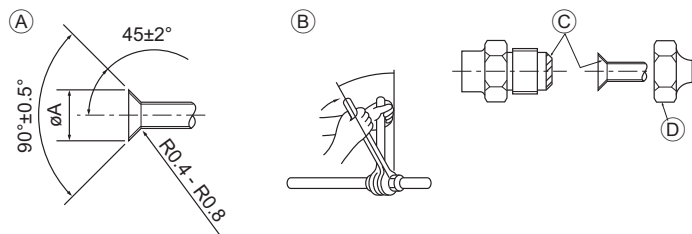


Fig. 4-1

A) Afsnijmaten tromp

Buitendiameter koperen pijp (mm)	Afmetingen tromp $\varnothing A$ (mm)
$\varnothing 9,52$	12,8 - 13,2
$\varnothing 15,88$	19,3 - 19,7
$\varnothing 19,05$	22,9 - 23,3

B) Afmeting koelleidingen & Aanhaalmoment flensmoer

C) Breng geen koelolie aan op de schroefoppervlakken.
(Hierdoor kunnen de flensmoeren eerder losraken.)

D) Zorg ervoor dat u de flensmoeren gebruikt die aan het apparaat zijn bevestigd.
(Het gebruik van andere flensmoeren kan barsten tot gevolg hebben.)

	R410A				Buitendiameter flensmoer	
	Vloeistofpijp		Gasp pijp		Vloeistofpijp (mm)	Gasp pijp (mm)
	Afmeting leiding (mm)	Aanhaalmoment (N·m)	Afmeting leiding (mm)	Aanhaalmoment (N·m)		
P63	OD $\varnothing 9,52$	34 - 42	OD $\varnothing 15,88$	68 - 82	22	29
P100	OD $\varnothing 9,52$	34 - 42	OD $\varnothing 15,88$	68 - 82	22	29

E) Breng koelolie aan op de aansluitingsoppervlakken.

4.1. Aansluiten van de pijpen (Fig. 4-1)

- Als u koperen pijpen gebruikt, moet u de vloeistof- en gaspijpen met isolatiemateriaal bekleden (hittebestendig tot 100 °C, dikte van 12 mm of meer).
- De delen van de afvoerpijp die binnenshuis lopen, moeten worden bekled met isolatiemateriaal van polyethyleenschuim (relatieve dichtheid 0,03, dikte 9 mm of meer).
- Doe een dun laagje koelmachineolie op de leiding en het aansluitingsoppervlak voordat u de "flare"-moer vastdraait.
- Draai met gebruik van twee pijptangen de aansluitende leidingen vast.
- Isoleer met meegeleverd isolatiemateriaal voor koelpijpen de aansluitingen aan de binnenzijde van het apparaat. Voer de isolatie zorgvuldig uit.

⚠ Waarschuwing:

Als u het apparaat installeert, zet de koelmiddelleidingen dan stevig vast voordat u de compressor start.

■ PKFY-P-VKM-E

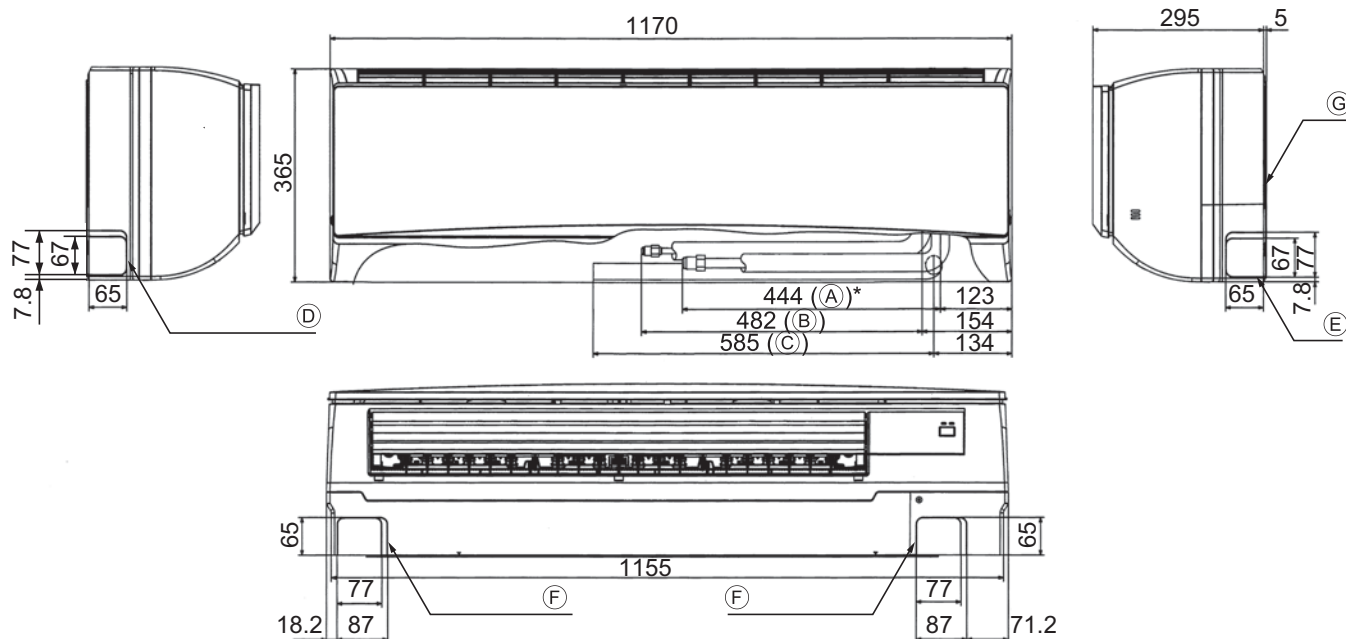


Fig. 4-2

4.2. Plaats van de koelstof- en afvoerpijpen (Fig. 4-2)

■ PKFY-P-VKM-E

- A) Gasp pijp * Geeft de status aan met bevestigde accessoires.
- B) Vloeistofpijp
- C) Afvoerleiding
- D) Doordrukopening voor leidingen aan de linkerzijde
- E) Doordrukopening voor leidingen aan de rechterzijde
- F) Doordrukopening voor leidingen aan de onderzijde
- G) Ophangplaat

4. Installeren van de koelstofleidingen

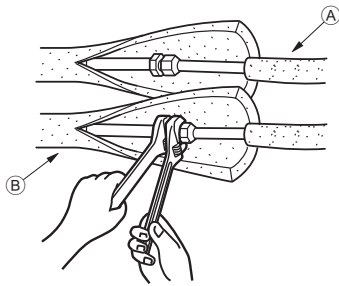


Fig. 4-3

■ PKFY-P-VKM-E

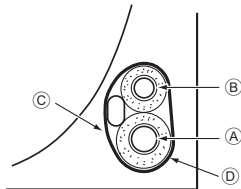


Fig. 4-4

4.3. De koelstofpijpen aansluiten (Fig. 4-3)

Binnenapparaat

1. Verwijder de flare-moer en -kap van de binnenunit.
2. Maak een flare voor de vloeistofpijp en de gaspijp en breng koelmachineolie (bij uw plaatselijke leverancier verkrijgbaar) aan op het oppervlak van de flare.
3. Verbind de plaatselijke koelpijpen snel met de unit.
4. Wikkel de pijpbeschermer die met de gaspijp is verbonden in en zorg ervoor dat de verbinding niet zichtbaar is.
5. Wikkel de pijpbeschermer van de vloeistofpijp van de unit in en zorg ervoor dat het isolatiemateriaal van de plaatselijke vloeistofpijp geheel is bedekt.
6. Gebruik band om de uiteinden van het isolatiemateriaal af te dichten.

Ⓐ Koelleiding muurzijde

Ⓑ Koelleiding apparaatzijde

4.3.1. Plaatsing in de leidingruimte van het apparaat (Fig. 4-4)

1. Wikkel de meegeleverde viltband om het deel van de koelleiding dat in de leidingruimte van het apparaat wordt geplaatst om druppelen te voorkomen.
2. Overlap de viltband telkens met een halve bandbreedte.
3. Maak het einde van de viltband vast met vinylband.

Ⓐ Gaspijp

Ⓑ Vloeistofpijp

Ⓒ Verbindingskabel binnen/buiten

Ⓓ Viltband ③

5. Installatie van Draineerbuizen

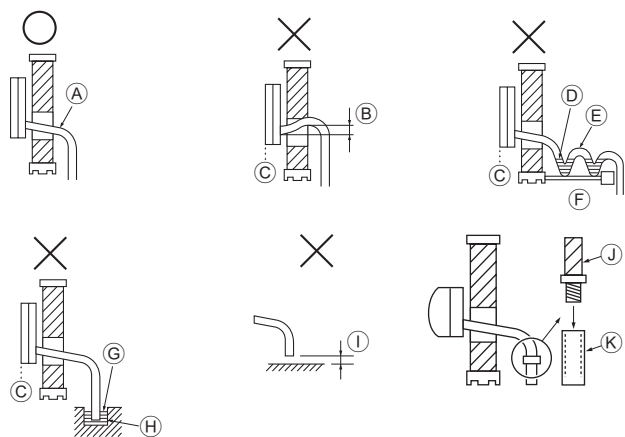


Fig. 5-1

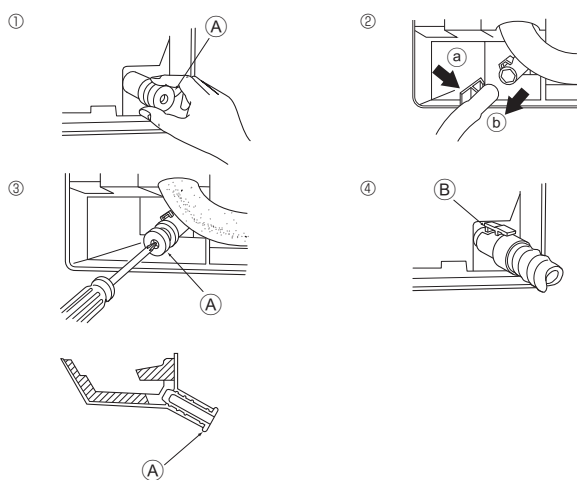


Fig. 5-2

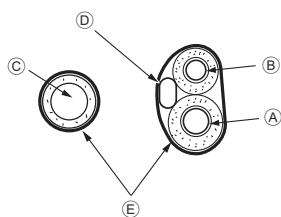


Fig. 5-3

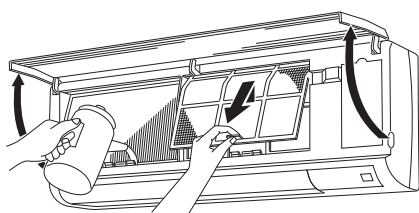


Fig. 5-4

5.1. Installatie van Draineerbuizen (Fig. 5-1)

- De afvoerpijpen moeten 1/100 of meer aflopen.
- Als u de afvoerpijp wilt verlengen, kunt u een buigzame slang (binnendiameter 15 mm), die in de winkel verkrijgbaar is, of een harde PVC-pijp (VP-16/PVC-pijp, O.D. ø22) gebruiken. Zorg er voor dat er geen water lekt bij de aansluitingen.
- Plaats de afvoerpijp niet rechtstreeks in een afvoergeul waar zwavelgas kan ontstaan.
- Controleer nadat u de pijpen heeft aangebracht of er water uit het uiteinde van de afvoerpijp stroomt.

⚠ Voorzichtig:

Voor een juiste afvoer moet de afvoerpijp worden geïnstalleerd volgens de voorschriften van deze installatiehandleiding. De afvoerpijpen moeten thermisch geïsoleerd worden om condensatie te voorkomen. Als de afvoerpijpen niet goed geïnstalleerd en geïsoleerd zijn, kan condensvocht op het plafond, de vloer of andere eigendommen druppelen.

- Ⓐ Naar beneden hellend
- Ⓑ Moet lager zijn dan het uitlaatpunt
- Ⓒ Waterlekkage
- Ⓓ Opgevangen afvoerwater
- Ⓔ Lucht
- Ⓕ Golvend
- Ⓖ Het uiteinde van de afvoerpijp is onder water.
- Ⓗ Afvoergoot
- Ⓛ 5 cm of minder tussen het uiteinde van de afvoerpijp en de grond.
- Ⓜ Afvoerleiding
- Ⓝ Zachte pvc-leiding (binnendiameter 15 mm) of
Harde pvc-leiding (VP-16)
* Bevestigd met speciale pvc-lijm

Pijpen links en linksachter voorbereiden (Fig. 5-2)

- ① Verwijder de afvoerkap.
 - ② Verwijder de afvoerslang.
 - ③ Plaats de afvoerkap.
 - ④ Plaats de afvoerslang.
- Verwijder de afvoerkap door het uitstekende stuk aan het einde van de pijp vast te nemen en te trekken.
 - Verwijder de afvoerslang door deze aan het begin vast te nemen ③ (aangegeven door de pijl) en deze naar u toe te trekken ④.
 - Plaats een schroevendraaier of iets dergelijks in het gat aan het uiteinde van de pijp en druk naar de basis van de afvoerkap.
 - Druk op de afvoerslang totdat deze onderaan de afvoeraansluiting zit.
 - Zorg ervoor dat de haak van de afvoerslang goed is aangebracht over de uitstekende afvoeraansluiting.

◆ Plaatsing in de leidingruimte van de binneneenheid (Fig. 5-3)

- * Als de afvoerleiding binnen het gebouw wordt geplaatst, moet u de leiding met in de handel verkrijgbaar isolatiemateriaal omwikkelen.
- * Pak de afvoerleiding en de koelleiding samen en gebruik de meegeleverde viltband ⑤ om ze samen te omwikkelen.
- * Overlap de viltband ⑤ telkens met een halve bandbreedte.
- * Maak het einde van de viltband vast met vinylband.

- Ⓐ Gaspip
- Ⓑ Vloestofpijp
- Ⓒ Afvoerleiding
- Ⓓ Verbindingsbedrading binnen/buiten
- Ⓔ Viltband ⑤

◆ Controleren op afvoerwater (Fig. 5-4)

1. Open het rooster aan voorzijde en verwijder de filter.
2. Vul de ruimte langzaam met water met de vinnen van de warmtewisselaar naar u toe gericht.
3. Nadat u hebt gecontroleerd of er sprake is van afvoerwater, plaatst u de filter weer op het apparaat en sluit u het rooster.

6. Elektrische aansluitingen

■ PKFY-P-VKM-E

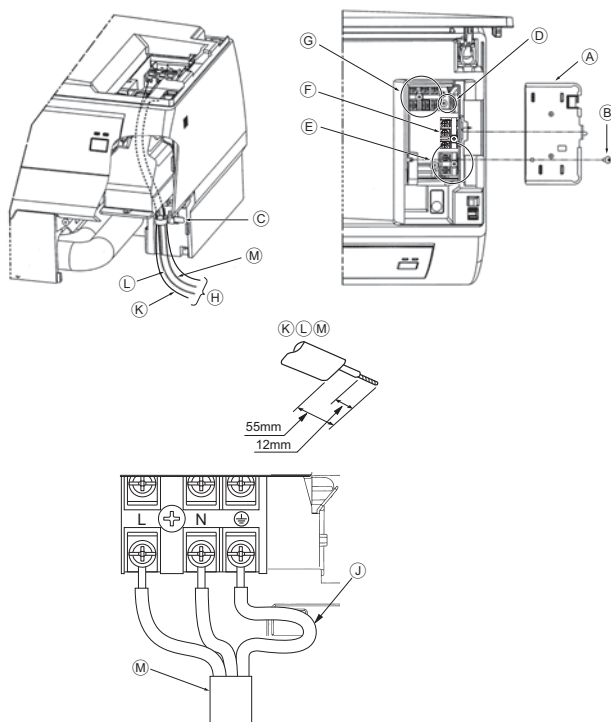


Fig. 6-1

6.1. Elektrische aansluitingen

■ PKFY-P-VKM-E (Fig. 6-1)

De verbinding kan worden gemaakt zonder het voorpaneel te verwijderen.

1. Open het rooster aan de voorzijde, verwijder de schroef (1 schroef) en verwijder de afdekking van de elektronische onderdelen.
 2. Bevestig de kabels stevig op het aansluitpaneel.
- * Houd in verband met toekomstig onderhoud enige speling in de draadlengte aan.
* Wees voorzichtig met het gebruik van geslagen bedrading omdat er kortsluiting kan optreden door beschadigingen en haken in de draad.
3. Plaats alle onderdelen terug zoals deze eerst waren bevestigd.
 4. Bevestig elke draad met de klem aan de onderkant van de elektriciteitsdoos.

- Ⓐ Afdekking elektriciteitsdoos
- Ⓑ Bevestigingsschroef
- Ⓒ Klem
- Ⓓ Aansluiting voor aardleiding
- Ⓔ Aansluitpaneel voor MA afstandsbediening: (1 en 2) hebben geen polariteit
- Ⓕ Aansluitpaneel voor transmissie: (M1, M2, S) hebben geen polariteit
- Ⓖ Aansluitpaneel voeding (L, N, aarde)
- Ⓗ Leiding
- Ⓙ Aansluiting voor aardleiding: Sluit de aardleiding aan in de richting zoals in de figuur aangegeven.
- Ⓚ Kabel afstandsbediening
- Ⓛ Transmissiekabel
- Ⓜ Voedingskabel

6.2. Stroomtoevoerbedrading

- De afmeting van de bedrading moet voldoen aan de van toepassing zijnde lokale en nationale norm.
- De voedingskabel van het apparaat mag niet lichter zijn dan de 245 IEC 53 of 227 IEC57, 245 IEC 53 of 227 IEC 53 specificaties.
- Plaats een aardkabel die langer dan de andere kabels is.
- Een schakelaar met ten minste 3 mm (1/8 inch) contactscheiding in iedere pool moet worden aangebracht bij het installeren van de airconditioner.

[Fig.6-2]

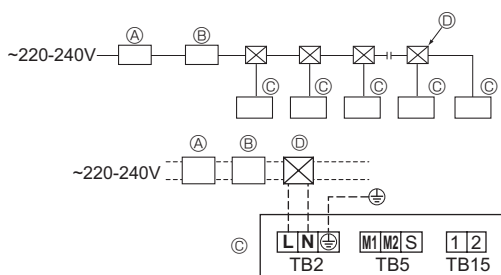


Fig. 6-2

- Ⓐ Aardfout-onderbreker
- Ⓑ Lokale schakelaar/Bedrading-onderbreker
- Ⓒ Binneneunit
- Ⓓ Kabeldoos

⚠ Waarschuwing:

Voorkom rookvorming, brand en communicatiestoringen en splijt derhalve de voedingskabel en de kabel tussen het binnen- en buitenapparaat niet.

6. Elektrische aansluitingen

Totale bedrijfsstroom van binnenuit	Minimale draaddikte (mm ²)			Aardfout-onderbreker *1	Lokale schakelaar (A)		Onderbreker voor bedrading (NFB)
	Hoofdkabel	Vertakking	Aarde		Capaciteit	Zekering	
F0 = 16 A of minder *2	1,5	1,5	1,5	20 A stroomgevoeligheid *3	16	16	20
F0 = 25 A of minder *2	2,5	2,5	2,5	30 A stroomgevoeligheid *3	25	25	30
F0 = 32 A of minder *2	4,0	4,0	4,0	40 A stroomgevoeligheid *3	32	32	40

Pas IEC61000-3-3 toe voor max. toelaatbare systeemimpedantie.

*1 De aardfout-onderbreker moet geschikt zijn voor invertercircuit.

De aardfout-onderbreker moet met het gebruik van een lokale schakelaar of bedradingsonderbreker worden gecombineerd.

*2 Gebruik van F1 of F2 de hogere waarde voor F0.

F1 = Totale maximale bedrijfsstroom van binnenuits × 1,2

F2 = {V1 × (Hoeveelheid van Type1)/C} + {V1 × (Hoeveelheid van Type2)/C} + {V1 × (Hoeveelheid van Type3)/C} + {V1 × (Hoeveelheid van Overige)/C}

Binnenuit	V1	V2
Type 1 PLFY-VBM, PMFY-VBM, PEFY-VMS, PFFY-VKM, PCFY-VKM, PKFY-VHM, PKFY-VKM, PLFY-VCM	18,6	2,4
Type 2 PEFY-VMA	38	1,6
Type 3 PEFY-VMHS	13,8	4,8
Overige Andere binnenuit	0	0

C: Veelvoud van uitschakelstroom bij uitschakeltijd 0,01 sec.

Gebruik "C" van uitschakelkarakteristieken van de onderbreker.

<Voorbeeld van "F2" berekening>

*Voorwaarde PEFY-VMS × 4 + PEFY-VMA × 1, C = 8 (zie de voorbeeldtabel hier rechts)

$$F2 = 18,6 \times 4/8 + 38 \times 1/8$$

$$= 14,05$$

→ 16 A onderbreker (Uitschakelstroom = 8 × 16 A bij 0,01 sec.)

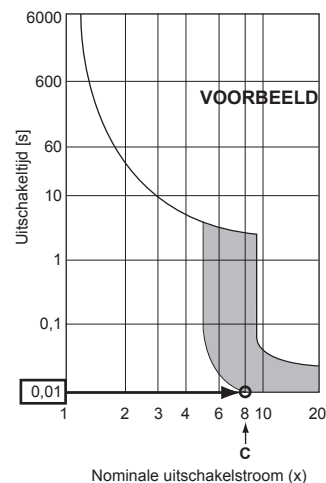
*3 De stroomgevoeligheid wordt berekend met de volgende formule.

$$G1 = V2 \times (\text{Hoeveelheid van Type1}) + V2 \times (\text{Hoeveelheid van Type2}) + V2 \times (\text{Hoeveelheid van Type3}) + V2 \times (\text{Hoeveelheid van Overige}) + V3 \times (\text{Draadlengte [km]})$$

G1	Stroomgevoeligheid
30 of minder	30 mA 0,1 sec. of minder
100 of minder	100 mA 0,1 sec. of minder

Draaddikte	V3
1,5 mm ²	48
2,5 mm ²	56
4,0 mm ²	66

Voorbeeldtabel



6.3. Types regelkabels

1. Bedrading transmissiekabels

Soort transmissiekabel	Gepantserde CVVS of CPEVS kabel
Kabeldiameter	Meer dan 1,25 mm ²
Lengte	Minder dan 200 m

2. M-NET-afstandsbedieningskabels

Soort afstandsbedieningskabel	Gepantserde MVVS kabel
Kabeldiameter	Meer dan 0,5 tot 1,25 mm ²
Lengte	Elk gedeelte boven 10 m tot de maximaal toegestane lengte van de transmissiekabel van 200 m.

3. MA-afstandsbedieningskabels

Soort afstandsbedieningskabel	2-aderige kabel (niet-afgeschermd)
Kabeldiameter	Meer dan 0,3 tot 1,25 mm ²
Lengte	Minder dan 200 m

6. Elektrische aansluitingen

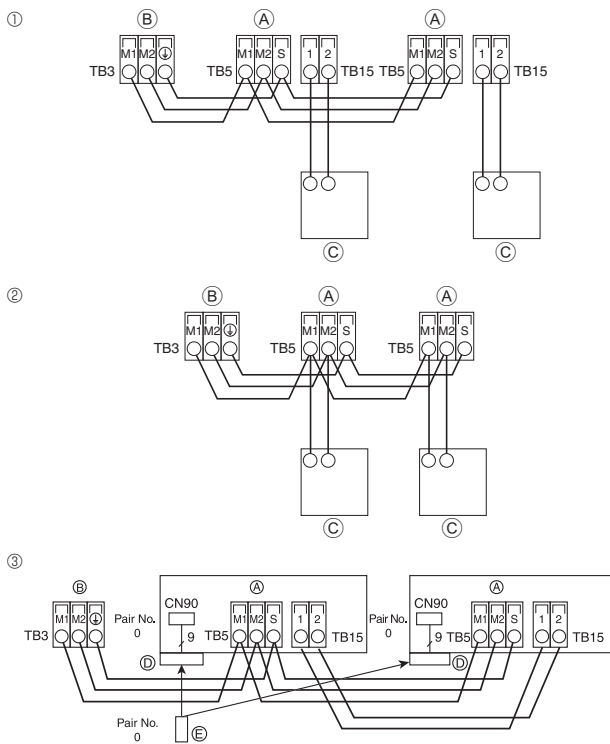


Fig. 6-3

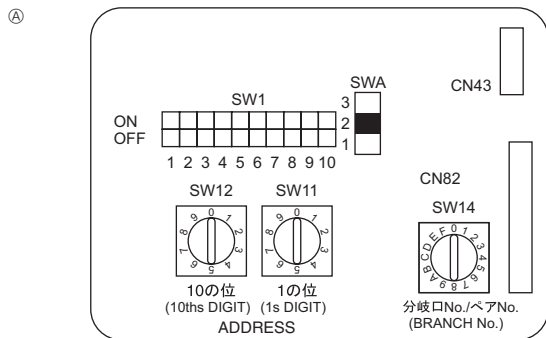


Fig. 6-4

6.4. De afstandsbediening en de transmissiekabels voor het binnen- en buitenapparaat aansluiten (Fig. 6-3)

- Sluit binnenapparaat TB5 en buitenapparaat TB3 aan. (Apolair 2-draads) De "S" op binnenapparaat TB5 is een gepantserde kabelaansluiting. Zie voor specificaties van de aansluitkabels de installatie-instructies van het buitenapparaat.
 - Monteer een afstandsbediening in overeenstemming met de aanwijzingen die bij de afstandsbediening zitten.
 - Sluit de transmissiekabel van de afstandsbediening aan binnen 10 meter met gebruik van een kabel van 0,75 mm² ader. Als de afstand meer dan 10 meter is, gebruik dan een 1,25 mm² aansluitkabel.
- ① MA-afstandsbediening
 - Sluit de "1" en "2" op binnenapparaat TB15 aan op een MA-afstandsbediening. (Nietgepolariseerde tweeaderige kabel)
 - DC 9 tot 13 V tussen 1 en 2 (MA-afstandsbediening)
 - ② M-NET-afstandsbediening
 - Sluit de "M1" en "M2" op binnenapparaat TB5 aan op een M-NET-afstandsbediening. (Niet-gepolariseerde tweeaderige kabel)
 - DC 24 tot 30 V tussen M1 en M2 (M-NET-afstandsbediening)
 - ③ Draadloze afstandsbediening (Bij installatie van een draadloze signaalontvanger)
 - Sluit de draad van de draadloze signaalontvanger (9-polige kabel) aan op CN90 van het bedieningspaneel binnen.
 - Als meer dan twee toestellen als groep bediend worden met een draadloze afstandsbediening, sluit u TB15 op elke aan met hetzelfde nummer.
 - Om de instelling van het paarnummer te wijzigen, raadpleegt u de installatiehandleiding van de draadloze afstandsbediening. (De standaardinstelling van de binneneenheid en afstandsbediening is paar nummer 0.)
- Ⓐ Aansluitblok voor transmissiekabel binnen
 Ⓑ Aansluitblok voor transmissiekabel buiten (M1(A), M2(B), ⊕(S))
 Ⓒ Afstandsbediening
 Ⓓ Draadloze signaalontvanger
 Ⓔ Draadloze afstandsbediening

6.5. De aansluitadressen instellen (Fig. 6-4)

(Zorg ervoor dat er geen stroom op het apparaat staat als u de adressen instelt.)

- Er zijn twee types draaibare schakelinstellingen beschikbaar: voor het instellen van adressen 1 tot 9 en groter dan 10, en voor het instellen van aftakingsnummers.
- ① Adressen instellen
 - Voorbeeld: Voor adres "3" laat u SW12 (voor de tientallen) op "0" staan en zet u SW11 (voor de eenheden) op "3".
 - ② Aftakingsnummers instellen met SW14 (alleen R2-serie)
 - Gebruik voor de koelleiding van het binnenapparaat het eindverbindingsnummer van de BC-controller.
 - Laat andere instellingen dan die voor de R2-serie op "0" staan.
- Bij levering uit de fabriek zijn alle draaischakelaars op "0" ingesteld. Met deze schakelaars kunt u de adressen van de apparaten en aftakingsnummers instellen.
 - De mogelijke waarden voor adressen van binnenapparaten hangen van het systeem ter plaatse af. Stel de adressen in zoals aangegeven in het Informatieblad.

6.6. De kamertemperatuur detecteren met de ingebouwde sensor in een afstandsbediening

Zet SW1-1 op het bedieningspaneel op "ON" als u wilt dat de ingebouwde sensor van een afstandsbediening de kamertemperatuur detecteert. Desgewenst kunt u met SW1-7 en SW1-8 de luchtstroom instellen wanneer de verwarmingsthermometer uitgeschakeld (OFF) is.

6.7. Elektrische karakteristieken

Symbolen: MCA: Max. Circuit Amps (= 1,25×FLA) (Max. circuit amps) FLA: Full Load Amps (Volledige belasting amps)
 IFM: Indoor Fan Motor (Motor binnenventilator) Uitvoer: Ventilatormotor nominale uitvoer

Model	Stroomtoevoer			IFM	
	Volt / Hz	Bereik +/- 10%	MCA (A)	Uitvoer (kW)	FLA (A)
PKFY-P63VKM-E	220-240 V / 50 Hz	Maximaal: 264 V Minimaal: 198 V	0,36	0,056	0,29
PKFY-P100VKM-E	220 V / 60 Hz		0,63	0,056	0,50

7. Proefdraaien

7.1. Voordat u gaat proefdraaien

- ▶ Controleer nadat u de binnen-en buitenapparaten, inclusief pijpen en bedrading, volledig heeft geïnstalleerd het geheel op lekken van koelstof, losse elektrische contacten in voeding of besturingsbedrading en polariteit en controleer of er geen verbreking van een fase in de voeding is.
- ▶ Controleer met behulp van een megohmmeter van 500 volt of de weerstand tussen de netspanningsaansluitpunten en de aarde minimaal 1,0 MΩ bedraagt.

- ▶ Voer deze test niet uit op de aansluitpunten van de besturingsbedrading (laagspanningscircuit).

⚠ Waarschuwing:
U mag de airconditioner niet gebruiken als de isolatieweerstand minder dan 1,0 MΩ bedraagt.

Controller-interface

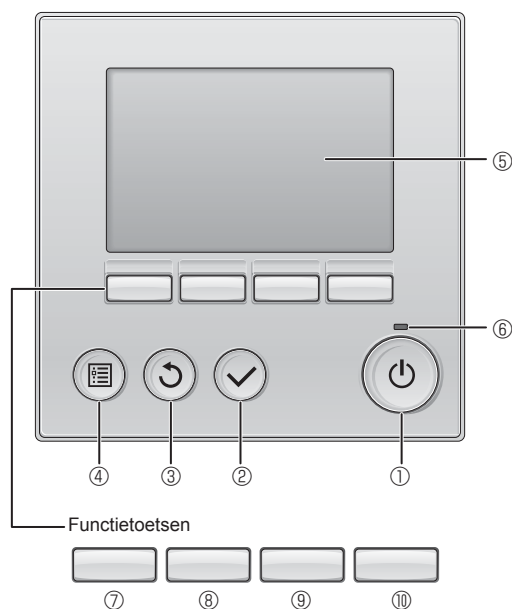


Fig. 7-1

7.2. Proefdraaien

De volgende 3 methodes zijn mogelijk.

7.2.1. Afstandsbediening met draad (Fig. 7-1)

- [AAN/UIT] -toets**
Drukken als u de binnenunit in- of uit wilt schakelen (AAN/UIT).
- [SELECTEREN] -toets**
Druk als u de instelling wilt opslaan.
- [TERUG] -toets**
Druk als u naar het vorige scherm wil terugkeren.
- [MENU] -toets**
Druk als u het Hoofdmenu op het scherm wilt brengen.
- LCD met achtergrondverlichting**
De bedieningsinstellingen zullen verschijnen. Wanneer de achtergrondverlichting uit is, kunt u deze inschakelen door op een willekeurige toets te drukken en de verlichting zal, afhankelijk van het scherm, een bepaalde tijd blijven branden.

Wanneer de achtergrondverlichting uit is, kunt u deze inschakelen door een willekeurige toets in te drukken, maar dan wordt de functie van die toets niet uitgevoerd. (met uitzondering van de [AAN/UIT] -toets)
- ON/OFF-lampje**
Dit lampje brandt groen zolang de unit werkt. Het knippert wanneer de afstandsbediening opstart of wanneer er iets niet in orde is.
- Functietoets [F1]**
Hoofddisplay: Druk als u de werking wilt wijzigen stand.
Hoofdmenu: Druk als u de cursor omlaag wilt verplaatsen.
- Functietoets [F2]**
Hoofddisplay: Druk als u de temperatuur wilt verlagen.
Hoofdmenu: Druk als u de cursor omhoog wilt verplaatsen.
- Functietoets [F3]**
Hoofddisplay: Druk als u de temperatuur wilt verhogen.
Hoofdmenu: Druk als u terug wilt gaan naar de vorige pagina.
- Functietoets [F4]**
Hoofddisplay: Druk als u de ventilatorsnelheid wilt wijzigen.
Hoofdmenu: Druk als u naar de volgende pagina wilt gaan.

Stap 1 Zet de afstandsbediening op "Test run" (Proefdraaien).

- ① Selecteer "Service" in het Hoofdmenu en druk op de toets ✓.
- ② Wanneer het menu Service geselecteerd is, verschijnt er een scherm dat om een wachtwoord vraagt. (Fig. 7-2)
Om het huidige onderhoudswachtwoord (4 cijfers) in te voeren, plaatst u de cursor met de [F1]- of [F2]-knop op het cijfer dat u wilt wijzigen, en stelt u elk cijfer (van 0 tot en met 9) in met de [F3]- of [F4]-knop. Druk vervolgens op de [F1]-knop.

Opmerking: Het standaardonderhoudswachtwoord is "9999". Wijzig het standaardwachtwoord om toegang door onbevoegden te voorkomen. Zorg dat het wachtwoord beschikbaar is voor degenen die het nodig hebben.

Opmerking: Als u het onderhoudswachtwoord vergeet, kunt u het wachtwoord terugzetten naar het standaardwachtwoord "9999" door de [F1]- en [F2]-knoppen tegelijkertijd 3 seconden ingedrukt te houden in het instellingscherm van het onderhoudswachtwoord.

- ③ Selecteer "Test run" (Proefdraaien) met de functietoets [F1] of [F2] en druk op de toets ✓. (Fig. 7-3)
- ④ Selecteer "Test run" (Proefdraaien) met de functietoets [F1] of [F2] en druk op de toets ✓. (Fig. 7-4)

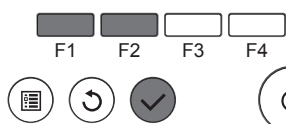
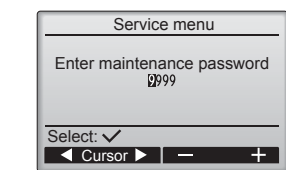


Fig. 7-2

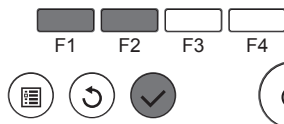
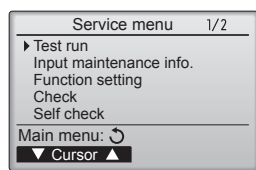


Fig. 7-3

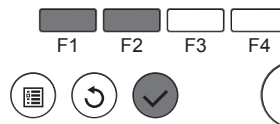
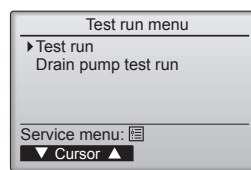


Fig. 7-4

7. Proefdraaien

Stap 2 Voer het proefdraaien uit en controleer de luchtstroomtemperatuur en automatische waaierinstelling.

- ① Druk op de functietoets [F1] om de bedrijfsstanden te doorlopen in de volgorde "Cool" (Koelen) en "Heat" (Verwarmen). (Fig. 7-5)
 Koelstand: controleer of er geen koude lucht wordt uitgeblazen.
 Verwarmingsstand: controleer of er geen warme lucht wordt uitgeblazen.
 * Controleer of de ventilator van de buitenunit goed werkt.
- ② Druk op de toets en open het scherm met waaierinstellingen.

Automatische waaierinstelling controleren

- ① Controleer de automatische waaierinstelling met de functietoetsen [F1] en [F2]. (Fig. 7-6)
- ② Druk op de -toets om terug te gaan naar het scherm "Test run" (Proefdraaien).
- ③ Druk op de -toets.

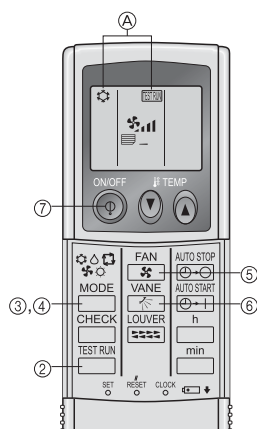


Fig. 7-7

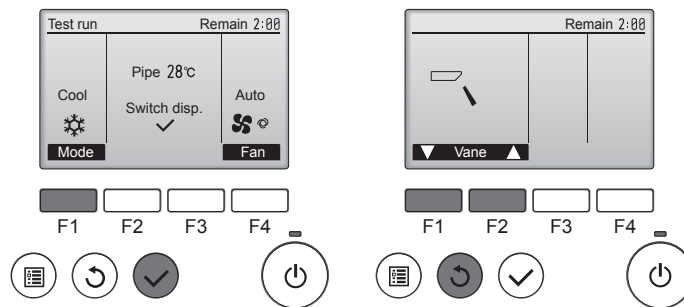


Fig. 7-5

Fig. 7-6

7.2.2. De draadloze afstandsbediening gebruiken (Fig. 7-7)

- ① Schakel minstens 12 uur voor het proefdraaien de netspanning op het apparaat.
- ② Druk twee keer achter elkaar op de toets .
 (Voer deze handeling uit wanneer het display van de afstandsbediening is uitgeschakeld.)
 A en de huidige stand worden weergegeven.
- ③ Druk op de -toets om de COOL (koel)-stand in werking te stellen; controleer daarna of er koude lucht uit het apparaat wordt geblazen.
- ④ Druk op de -toets om de HEAT (verwarming)-stand in werking te stellen; controleer daarna of er verwarmde lucht uit het apparaat wordt geblazen.
- ⑤ Druk op de knop en controleer of het toerental van de ventilator verandert.
- ⑥ Druk op de VANE (lamellen)-toets en controleer of het automatische lamellenrooster goed werkt.
- ⑦ Druk op ON/OFF (AAN/UIT) om het proefdraaien te beëindigen.

Opmerking:

- Richt de afstandsbediening op de afstandsbedieningssensor van het binnenapparaat en voer de stappen ② t/m ⑦ uit.
- Het apparaat kan in de werkstanden VENTILATOR, DROGEN en AUTO niet in werking worden gezet.

Contenido

1. Medidas de seguridad.....	54	5. Tubería de drenaje.....	61
2. Lugar en que se instalará.....	55	6. Trabajo eléctrico.....	62
3. Instalación de la unidad interior.....	55	7. Prueba de funcionamiento.....	65
4. Instalación de los tubos del refrigerante.....	59		

Nota:
En este manual de instalación, la frase “Controlador remoto cableado” se refiere solo a PAR-32MAA.
Si necesita más información sobre el otro controlador remoto, consulte el manual de instalación o el manual de ajustes iniciales incluidos en estas cajas.

1. Medidas de seguridad

- ▶ **Antes de instalar la unidad, asegúrese de haber leído el capítulo de “Medidas de seguridad”.**
- ▶ **Informe al encargado del suministro u obtenga su consentimiento antes de conectar este equipo al sistema de suministro de alimentación.**

⚠ Atención:

Describe las precauciones que deben tenerse en cuenta para evitar el riesgo de lesiones o muerte del usuario.

⚠ Cuidado:

Describe las precauciones que deben tenerse en cuenta para evitar daños en la unidad.

Después de terminar la instalación, explique las “Medidas de seguridad”, funcionamiento y mantenimiento de la unidad al cliente según el Manual de instrucciones y realice una prueba para asegurarse de que funciona correctamente. Entregue una copia del Manual de instalación y del Manual de instrucciones al usuario. Estos manuales deben pasar a usuarios posteriores del equipo.

⚠ Atención:

- La instalación del aire acondicionado debe correr a cargo del distribuidor o de un técnico autorizado.
- El usuario no debe intentar reparar la unidad ni desplazarla a otra ubicación bajo ningún concepto.
- Instale la unidad en un lugar capaz de soportar su peso.
- Utilice solo cables especificados para el cableado. Las conexiones del cableado se deben realizar con seguridad sin que se ejerza tensión en las conexiones de los terminales. Asimismo, no empalme nunca los cables al realizar el cableado (a menos que se indique lo contrario en este documento). El hecho de no seguir estas instrucciones puede provocar un sobrecalentamiento o un incendio.
- Utilice sólo accesorios autorizados por Mitsubishi Electric y pida a su distribuidor o a una empresa autorizada que se los instale.
- No toque las aletas del intercambiador de calor.
- Instale el aire acondicionado según se indica en este manual de instalación.
- Todas las conexiones eléctricas deberán ser realizadas por un electricista autorizado de acuerdo con la normativa local.
- El aparato eléctrico debe instalarse siguiendo las regulaciones vigentes del país en materia de cableado.

⚠ Cuidado:

- No utilice los tubos de refrigerante existentes cuando utilice el refrigerante R410A.
- Utilice aceite de éster, aceite o alquilobenceno (en pequeñas cantidades) como aceite de refrigerador para recubrir las conexiones abocinadas y bridas al usar refrigerante R410A.
- No utilice el aire acondicionado en lugares en los que se guarde comida, animales domésticos, plantas, instrumentos de precisión u obras de arte.
- No utilice el equipo de aire acondicionado en entornos especiales.
- Conecte la unidad a tierra.
- Instale un interruptor para el circuito de fugas.
- Utilice cables de alimentación de capacidad y gama de corriente adecuadas.

- ⊘ : Indica una acción que debe evitarse.
- ⚠ : Indica que deben seguirse unas instrucciones importantes.
- ⚡ : Indica una pieza que debe estar conectada a tierra.
- ⚠ : Indica que debe tenerse cuidado con las piezas giratorias.
- ⚡ : Indica que debe apagarse el interruptor principal antes de intervenir en la unidad.
- ⚡ : Peligro de descarga eléctrica.
- ⚠ : Peligro por superficie caliente.
- ⚡ ELV : A la hora de realizar una reparación, desconecte el interruptor principal tanto de la unidad interior como de la exterior.

⚠ Atención:

Lea atentamente las etiquetas adheridas a la unidad principal.

- Si el cable de alimentación sufre daños, debe ser sustituido por el fabricante, su servicio técnico o personal con una cualificación equivalente para evitar cualquier peligro.
- Si el aire acondicionado se instala en una habitación pequeña deberán tomarse medidas para prevenir que la concentración de refrigerante exceda los límites de seguridad incluso si hubiese fugas.
- Las partes perforadas de caras recortadas pueden causar daños por cortes, etc. Los instaladores deberán llevar equipo de protección adecuado como por ejemplo guantes, etc.
- Cuando instale, mueva o revise el equipo de aire acondicionado, utilice solo el refrigerante indicado (R410A) para cargar los tubos del refrigerante. No lo mezcle con otro tipo de refrigerante y vacíe completamente de aire los tubos. Si el aire se mezcla con el refrigerante, podría producir una tensión anormalmente alta en el tubo del refrigerante y ocasionar una explosión u otros peligros. Usar un refrigerante distinto al indicado para el sistema provocará un fallo mecánico, un funcionamiento defectuoso del sistema o la avería de la unidad. En el peor de los casos, podría suponer un grave impedimento para garantizar la seguridad del producto.

- Utilice un interruptor de circuito y un fusible exclusivamente de la capacidad indicada.
- No toque los enchufes con los dedos mojados.
- No toque las tuberías de refrigerante durante el funcionamiento e inmediatamente después de éste.
- No accione el equipo de aire acondicionado cuando se hayan extraído los paneles y las protecciones.
- No desconecte la corriente inmediatamente después de parar el funcionamiento del equipo.

2. Lugar en que se instalará

■ PKFY-P-VKM-E

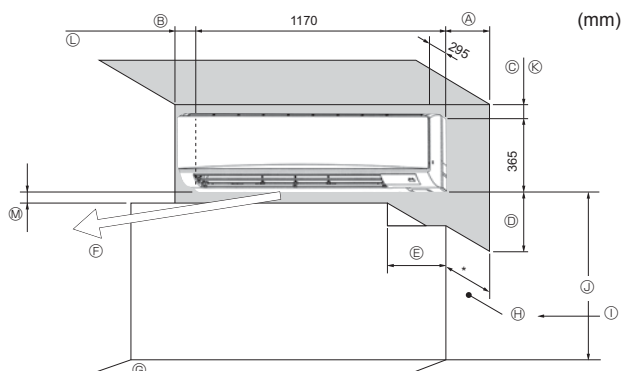


Fig. 2-1

2.1. Dimensiones exteriores (Unidad interior) (Fig. 2-1)

Seleccione una posición adecuada, de forma que queden las siguientes distancias para proceder a la instalación y al mantenimiento.

■ PKFY-P-VKM-E

(mm)

A	B	C	D	E
Mín. 100,5	Mín. 52,3	Mín. 48	Mín. 250	Mín. 220

- F Salida de aire: No coloque ningún obstáculo en 1500 mm de la salida del aire.
- G Superficie del suelo
- H Mobiliario
- I Cuando la dimensión de proyección de una guía de cortina o similar con respecto a la pared supera los 60 mm, debe tomarse una distancia adicional, ya que la corriente de aire del ventilador puede crear un ciclo corto.
- J 1800 mm o más desde la superficie del suelo (para montaje en ubicaciones altas)
- K 108 mm o más con la instalación de las tuberías de la parte izquierda o posterior izquierda y de la bomba opcional de drenaje
- L 550 mm o más con la instalación del bomba opcional de drenaje
- M Mínimo 7 mm: 265 mm o más con la instalación del bomba opcional de drenaje

3. Instalación de la unidad interior

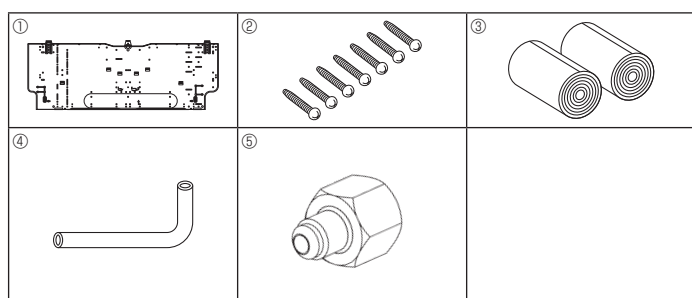


Fig. 3-1

3.1. Comprobación de los accesorios de la unidad interior (Fig. 3-1)

La unidad interior debe ir acompañada de los siguientes accesorios.

NÚMERO	ACCESORIO	CANTIDAD		UBICACIÓN
		P63	P100	
①	Placa de montaje	1	1	Fijado a la parte trasera de la unidad
②	Tomillo roscado 4 x 25	7	7	
③	Cinta de fieltro	2	2	
④	Tubo de conexión en L	1	1	
⑤	Tuerca de carga	1	1	

3.2. Instalación del soporte de montaje en la pared

3.2.1. Determine las posiciones del soporte de montaje y de las tuberías

► Con la ayuda del soporte de montaje determine dónde se colocará la unidad y los lugares en que se hará un agujero para las tuberías.

⚠ Atención:

Antes de hacer los agujeros de la pared, consulte al contratista.

■ PKFY-P-VKM-E (Fig. 3-2)

- A Placa de montaje ①
- B Unidad interior
- C Orificio para tubos en la parte posterior inferior izquierda (ø75-ø80)
- D Orificio para tubos en la parte posterior inferior derecha (ø75-ø80)
- E Orificio ciego para el orificio posterior izquierdo (75 x 480)
- F Orificio troquelado (orificio de 4-ø9)
- G Orificio de medición central (orificio de ø2,5)
- H Orificio roscador (orificio de 75-ø5,1)
- I Centro del orificio
- J Alinear la escala con la línea.
- K Introducir la escala.

3.2.2. Hacer el agujero para las tuberías (Fig. 3-3)

► Utilice una broca hueca para hacer en la pared una perforación de 75-80 mm de diámetro en la dirección de las tuberías, en la posición indicada en el diagrama de la izquierda.

► La perforación de la pared debe inclinarse, de manera que el orificio exterior esté más bajo que el orificio interior.

► Introduzca un manguito por el agujero (de 75 mm de diámetro y comprado en su localidad).

Nota:

El objetivo de la inclinación del agujero perforado es facilitar el drenaje.

■ PKFY-P-VKM-E

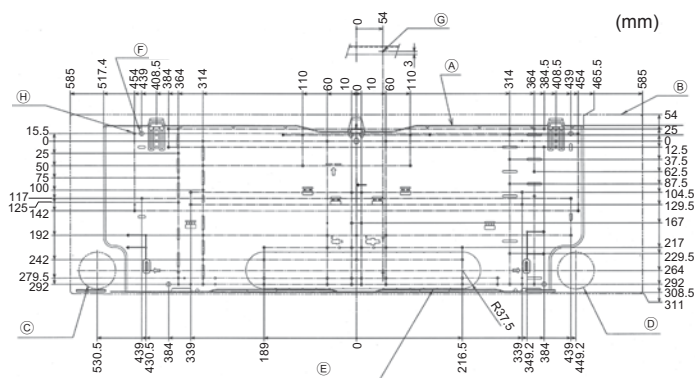


Fig. 3-2

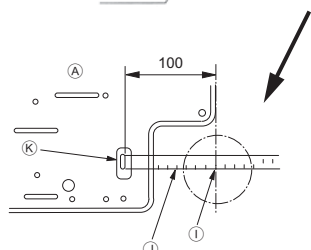
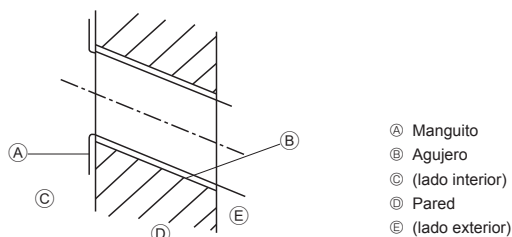


Fig. 3-3



- A Manguito
- B Agujero
- C (lado interior)
- D Pared
- E (lado exterior)

3. Instalación de la unidad interior

■ PKFY-P-VKM-E

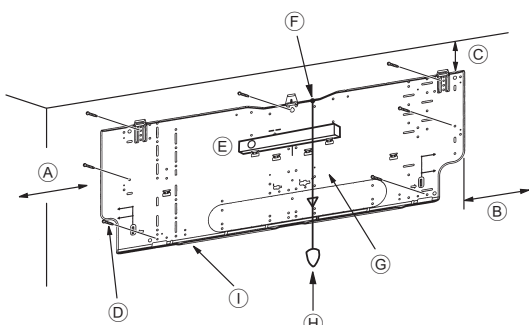


Fig. 3-4

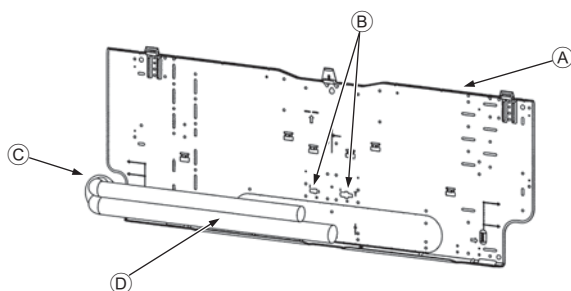


Fig. 3-5

■ PKFY-P-VKM-E

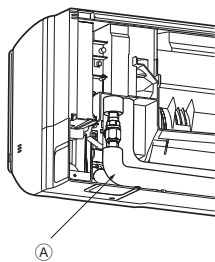


Fig. 3-6

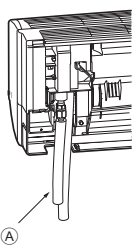


Fig. 3-7



Fig. 3-8

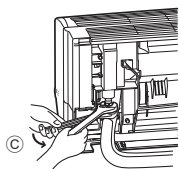


Fig. 3-9

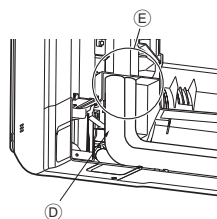


Fig. 3-10

3.2.3. Instalación del soporte de montaje en la pared

- Como la unidad interior pesa casi 22 kg, tendrá que tener en cuenta el lugar de montaje. Si la pared no parece lo suficientemente fuerte, refuércela con tablas y vigas antes de instalar la unidad.
- El soporte de montaje se fijará por ambos extremos y por el centro, si es posible. No lo fije nunca por un solo punto o de manera asimétrica. (Si es posible, sujete el soporte por todos los lados marcados con una flecha gruesa.)

⚠ Atención:

Si es posible, fije el soporte en todas las posiciones marcadas con una flecha.

⚠ Cuidado:

- La unidad se tiene que montar horizontalmente.
- Apriete en los agujeros marcados con ▲.

■ PKFY-P-VKM-E (Fig. 3-4)

- Ⓐ Mín. 120 mm (617,6 mm o más con la instalación del bomba opcional de drenaje)
- Ⓑ Mín. 220 mm
- Ⓒ Mín. 70 mm (130 mm o más con la instalación de tuberías de la parte izquierda, posterior izquierda o inferior izquierda y del bomba opcional de drenaje)
- Ⓓ Tornillos de fijación (4 × 25) ②
- Ⓔ Nivel
- Ⓕ Introduzca un hilo en el orificio y átelo.
- Ⓖ Coloque el nivel contra la línea horizontal de referencia de la placa de montaje y monte de forma que quede nivelado. Cuelgue una plomada del hilo y alinéelo con la marca ▽ EPK de la placa de montaje para lograr el nivelado.
- Ⓗ Plomada
- Ⓛ Placa de montaje ①

3.3. Cuando coloque los tubos en la pared (Fig. 3-5)

- Los tubos están en la parte inferior izquierda.
- Cuando las líneas de conexión interna/externa del tubo de refrigerante y de los tubos de drenaje tienen que empotrarse en la pared con anterioridad, es probable que haya que doblar los tubos troquelados, etc., y modificar su longitud para adaptarlos a la unidad.
- Utilice la marca de la placa de montaje como referencia cuando vaya a ajustar la longitud del tubo de refrigerante empotrado.
- Durante la construcción, deje un margen en la longitud de los tubos troquelados, etc.

- Ⓐ Placa de montaje ①
- Ⓑ Marca de referencia de la conexión abocinada
- Ⓒ Orificio pasante
- Ⓓ Tuberías locales

3.4. Preparación de la unidad interior

- * Compruébelo de antemano, porque los preparativos diferirán según la dirección de salida de la tubería.
- * Si dobla la tubería, hágalo de forma gradual y sujetando la base de la parte de tubería que sale. (Si se dobla bruscamente, se puede deformar la tubería.)

■ PKFY-P-VKM-E

Colocación del tubo de conexión en L ④

Tuberías de la parte derecha, izquierda y posterior (Fig. 3-6)

1. Retire la tuerca abocardada y la tapa de la unidad interior. (Sólo tubo de gas)
2. Aplique aceite refrigerante para máquinas en la superficie abocinada. (Preparación in situ)
3. Mirando en el sentido en que se retirará el tubo de conexión en L ④, realice una conexión rápida en la abertura abocinada de conexión de la unidad interior.
4. Apriete la tuerca abocardada con doble llave de boca. (Fig. 3-9)
Fuerza de apriete: 68 a 82 N·m
5. Coloque la tuerca de carga ⑤ en la parte de la junta lateral del tubo de líquido y compruebe si hay fugas en la parte de conexión del tubo de conexión en L ④. Retire la tuerca de carga ⑤ tras terminar el trabajo.
Fuerza de apriete: 34 a 42 N·m
6. Cubra la parte de conexión abocinada con la cubierta del tubo de conexión en L ④ para que no se quede desprotegida. (Fig. 3-10)
 - Ⓐ Tubo de conexión en L ④
 - Ⓑ Posición de corte (parte recta del tubo)
 - Ⓒ Sentido de apriete
 - Ⓓ Cubrir con la cubierta del tubo
 - Ⓔ Cubrir la parte de conexión de la tuerca abocardada con la cubierta del tubo.

Tuberías de la parte inferior (Fig. 3-7)

1. Corte el tubo de conexión en L ④ en la posición indicada en la (Fig. 3-8).
2. Introduzca la tuerca abocardada que se había retirado anteriormente en el lado recto del tubo de conexión en L ④ y luego abocine el extremo del tubo.
3. Retire la tuerca abocardada y la tapa de la unidad interior. (Sólo tubo de gas)
4. Aplique aceite refrigerante para máquinas en la superficie abocinada. (Preparación in situ)
5. Conecte rápidamente el tubo de conexión en L ④ que se ha procesado según se describe en la parte 2) en la abertura abocinada de conexión de la unidad interior.
6. Apriete la tuerca abocardada con doble llave de boca. (Fig. 3-9)
Fuerza de apriete: 68 a 82 N·m
7. Coloque la tuerca de carga ⑤ en la parte de la junta lateral del tubo de líquido y compruebe si hay fugas en la parte de conexión del tubo de conexión en L ④. Retire la tuerca de carga ⑤ tras terminar el trabajo.
Fuerza de apriete: 34 a 42 N·m
8. Cubra la parte de conexión abocinada con la cubierta del tubo de conexión en L ④ para que no se quede desprotegida. (Fig. 3-10)

3. Instalación de la unidad interior

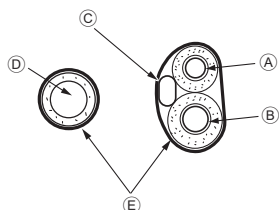


Fig. 3-11

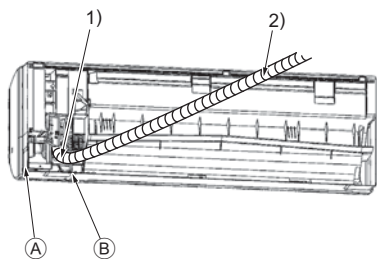


Fig. 3-12

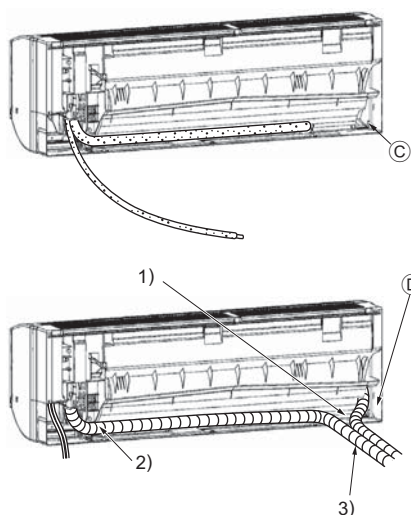


Fig. 3-13

Comprobación de fugas de la parte de conexión del tubo de conexión en L

1. Coloque la tuerca de carga ⑤ en la parte de la junta lateral del tubo de líquido. Fuerza de apriete: 34 a 42 N·m
2. Presurice introduciendo gas nitrógeno desde la tuerca de carga. No presurice de golpe a la presión constante actual. Presurice gradualmente.
 - 1) Presurice a 0,5 MPa (5 kgf/cm²G), espere cinco minutos y compruebe que la presión no se ha reducido.
 - 2) Presurice a 1,5 MPa (15 kgf/cm²G), espere cinco minutos y compruebe que la presión no se ha reducido.
 - 3) Presurice a 4,15 MPa (41,5 kgf/cm²G) y tome la temperatura ambiental y la presión del refrigerante.
3. Si la presión especificada se mantiene estable durante un día y no se reduce, las tuberías han pasado la prueba y no existe riesgo de fugas.
 - Si la temperatura ambiental cambia 1°C, la presión variará unos 0,01 MPa (0,1kgf/cm²G). Haga las correcciones necesarias.
4. Si la presión se reduce en los pasos (2) o (3), hay una fuga de gas. Busque el punto de fuga del gas.

Extracción y procesamiento de las tuberías y el cableado (Fig. 3-11)

1. Conexión del cableado interior/exterior ⇒ Consulte la página 60.
2. Envuelva con cinta de fieltro ③ la zona de las tuberías de refrigerante y la manguera de drenaje que se alojará dentro del espacio para tuberías de la unidad interior.
 - Envuelva firmemente con cinta de fieltro ③ desde la base de las tuberías de refrigerante y de la manguera de drenaje.
 - Solape la cinta de fieltro ③ sobre la mitad de la anchura de la cinta.
 - Fije la parte final de la envoltura con cinta de vinilo.
3. Procure no levantar la manguera de drenaje y que no se produzca contacto con el cuerpo de la caja de la unidad interior. No tire de la manguera de drenaje a la fuerza, porque podría salirse.

Tuberías de la parte posterior, derecha e inferior (Fig. 3-12)

- 1) Procure no levantar la manguera de drenaje y que no se produzca contacto con el cuerpo de la caja de la unidad interior. Disponga la manguera de drenaje en el lado inferior de las tuberías y envuélvala con cinta de fieltro ③.
- 2) Envuelva firmemente con cinta de fieltro ③ empezando por la base. (Solape la cinta de fieltro sobre la mitad de la anchura de la cinta.)
 - ④ Corte para tuberías de la parte derecha.
 - ⑤ Corte para tuberías de la parte inferior.

Tuberías de la parte izquierda y posterior izquierda (Fig. 3-13)

4. Reinstalación de la manguera de drenaje ⇒ Consulte 6. Tubería de drenaje Asegúrese de volver a colocar la manguera de drenaje y la tapa de drenaje para las tuberías de la parte izquierda y posterior izquierda. Pueden producirse goteos si olvida instalar o no vuelve a colocar estas piezas.
 - ⑥ Tapa de drenaje
- 1) Procure no levantar la manguera de drenaje y que no se produzca contacto con el cuerpo de la caja de la unidad interior.
- 2) Envuelva firmemente con cinta de fieltro ③ empezando por la base. (Solape la cinta de fieltro sobre la mitad de la anchura de la cinta.)
- 3) Fije la parte final de la cinta de fieltro ③ con cinta de vinilo.
 - ⑦ Corte para tuberías de la parte izquierda.

3. Instalación de la unidad interior

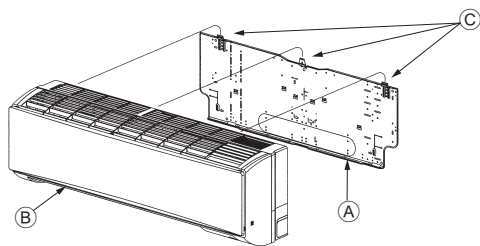


Fig. 3-14

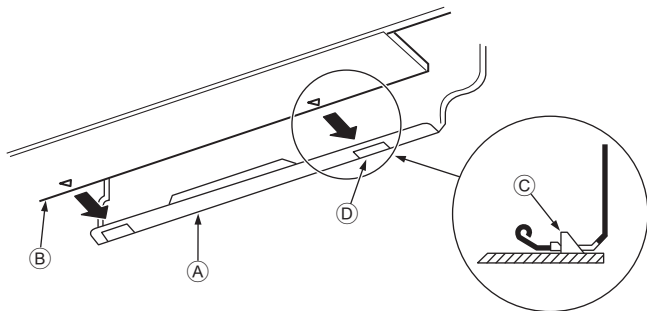


Fig. 3-15

■ PKFY-P-VKM-E

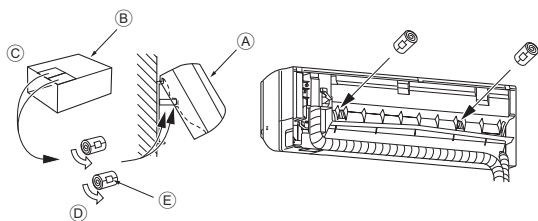


Fig. 3-16

3.5. Montaje de la unidad interior

1. Fije la placa de montaje ① en la pared.
2. Cuelgue la unidad interior en el gancho que está colocado en la parte superior de la placa de montaje.

Tuberías de la parte posterior, derecha e inferior (Fig. 3-14)

3. Al introducir las tuberías de refrigerante y la manguera de drenaje en el orificio de penetración en la pared (manguito de penetración), cuelgue la parte superior de la unidad interior en la placa de montaje ①.
 4. Mueva la unidad interior a izquierda y derecha, y asegúrese de que esté colgada firmemente.
 5. Fije la unidad en la placa de montaje ① empujando la parte inferior de la unidad. (Fig. 3-15)
- * Asegúrese de que los tiradores de la parte inferior de la unidad interior estén bien enganchados en la placa de montaje ①.
6. Tras la instalación, compruebe que la unidad interior esté nivelada.

- ① Placa de montaje
- ② Unidad interior
- ③ Gancho
- ④ Orificio cuadrado

Tuberías de la parte izquierda y posterior izquierda (Fig. 3-16)

3. Al introducir la manguera de drenaje en el orificio de penetración en la pared (manguito de penetración), cuelgue la parte superior de la unidad interior en la placa de montaje ①.
- Teniendo en cuenta el alojamiento de las tuberías, mueva la unidad totalmente hacia la izquierda, corte parte del cartón de embalaje y forme con él un cilindro, tal como se ilustra en el diagrama. Engánchelo en el saliente de la superficie posterior a modo de pieza distanciadora y levante la unidad interior.
4. Conecte las tuberías de refrigerante con las tuberías de refrigerante locales.
 5. Fije la unidad en la placa de montaje ① empujando la parte inferior de la unidad.
- * Asegúrese de que los tiradores de la parte inferior de la unidad interior estén bien enganchados en la placa de montaje ①.
6. Tras la instalación, compruebe que la unidad interior esté nivelada.

- ① Unidad interior
- ② Cartón de embalaje
- ③ Cortar
- ④ Formar un cilindro
- ⑤ Fijar con cinta adhesiva

4. Instalación de los tubos del refrigerante

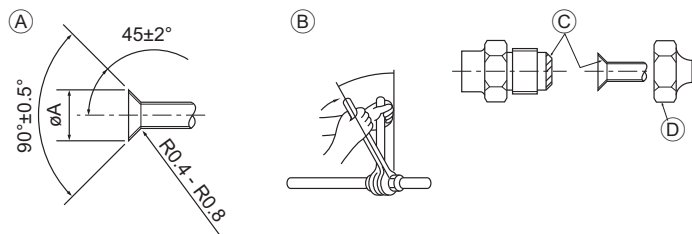


Fig. 4-1

(A) Dimensiones del corte abocinado

Tubo de cobre O.D. (mm)	Dimensiones de abocinado dimensiones ØA (mm)
Ø9,52	12,8 - 13,2
Ø15,88	19,3 - 19,7
Ø19,05	22,9 - 23,3

- (B) Tamaño de las tuberías de refrigerante y par de apriete de la tuerca abocardada
 (C) No aplique aceite refrigerante para máquinas en las partes roscadas. (Esto hará que las tuercas abocardadas tiendan más a aflojarse.)
 (D) Asegúrese de utilizar las tuercas abocardadas que vienen colocadas en la unidad principal. (Si se utilizan productos de venta en comercios, podrían partirse.)

	R410A				Tuerca de abocardado O.D.	
	Tubería de líquido		Tubería de gas		Tubería de líquido (mm)	Tubería de gas (mm)
	Tamaño de la tubería (mm)	Torsión de apriete (N·m)	Tamaño de la tubería (mm)	Torsión de apriete (N·m)		
P63	ODØ9,52	34 - 42	ODØ15,88	68 - 82	22	29
P100	ODØ9,52	34 - 42	ODØ15,88	68 - 82	22	29

(E) Aplique aceite refrigerante para máquinas en toda la superficie abocinada.

■ PKFY-P-VKM-E

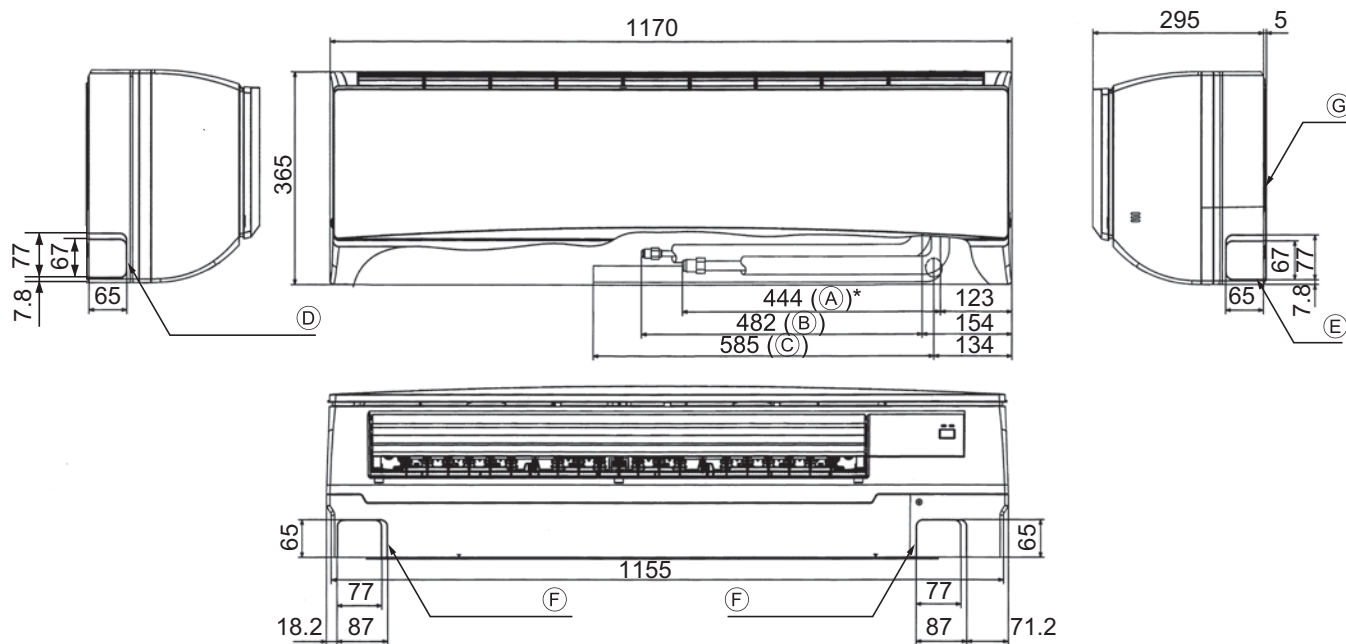


Fig. 4-2

4.1. Tubos de conexión (Fig. 4-1)

- Si se utilizan tubos de cobre convencionales, envuelva los tubos de gas y líquido con materiales aislantes (resistente al calor hasta 100 °C o más, espesor de 12 mm o más).
- Las piezas interiores del tubo de drenaje tienen que estar envueltas en materiales aislantes de espuma de polietileno (gravedad específica de 0,03 y espesor de 9 mm o más).
- Aplique una capa delgada de aceite refrigerante a la superficie tubo y de la junta de asiento antes de apretar la tuerca de abocardado.
- Utilice dos llaves de apriete para apretar las conexiones de los tubos.
- Utilice el aislante de tubería de refrigerante suministrado para aislar las conexiones de la unidad interior. Realice los aislamientos con cuidado.

⚠ Atención:

Al instalar la unidad, conecte firmemente las tuberías de refrigerante antes de poner en marcha el compresor.

4.2. Colocación de los tubos del refrigerante y de drenaje (Fig. 4-2)

■ PKFY-P-VKM-E

- (A) Tubo de gas * Indica el estado con los accesorios montados.
 (B) Tubo de líquido
 (C) Manguera de drenaje
 (D) Orificio ciego para las tuberías del lado izquierdo
 (E) Orificio ciego para las tuberías del lado derecho
 (F) Orificio ciego para las tuberías de la parte inferior
 (G) Placa de montaje①

4. Instalación de los tubos del refrigerante

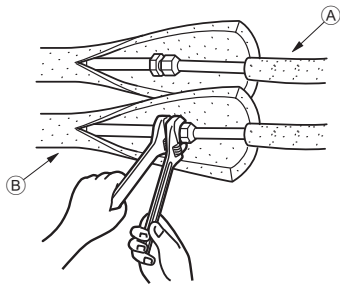


Fig. 4-3

■ PKFY-P-VKM-E

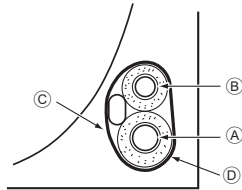


Fig. 4-4

4.3. Trabajo de instalación de la tubería del refrigerante (Fig. 4-3)

Unidad interior

1. Saque la tuerca de mariposa y la tapa de la unidad interior.
2. Efectúe un ensanchamiento para la tubería de líquido y la tubería de gas y aplique aceite refrigerante (que puede obtener a través de su proveedor local) en la superficie de la lámina de mariposa.
3. Conecte rápidamente los tubos de refrigerante existentes en la unidad.
4. Envuelva la tapa que está colocada en el tubo de gas y asegúrese de que la unión de la conexión no quede visible.
5. Envuelva la tapa del tubo de líquido de la unidad y asegúrese de que cubra el material aislante del tubo de líquido existente.
6. La parte en que se junta el material aislante se sella con cinta.
 - Ⓐ Tuberías de refrigerante locales
 - Ⓑ Tuberías de refrigerante de la unidad

4.3.1. Alojamiento en el espacio para tuberías de la unidad (Fig. 4-4)

1. Envuelva con la cinta de fieltro suministrada la zona de las tuberías de refrigerante que se alojará dentro del espacio para tuberías de la unidad para evitar goteos.
2. Solape la cinta de fieltro sobre la mitad de la anchura de la cinta.
3. Fije la parte final de la envoltura con cinta de vinilo, etc.
 - Ⓐ Tubo de gas
 - Ⓑ Tubo de líquido
 - Ⓒ Cable de conexión interior/exterior
 - Ⓓ Cinta de fieltro ③

5. Tubería de drenaje

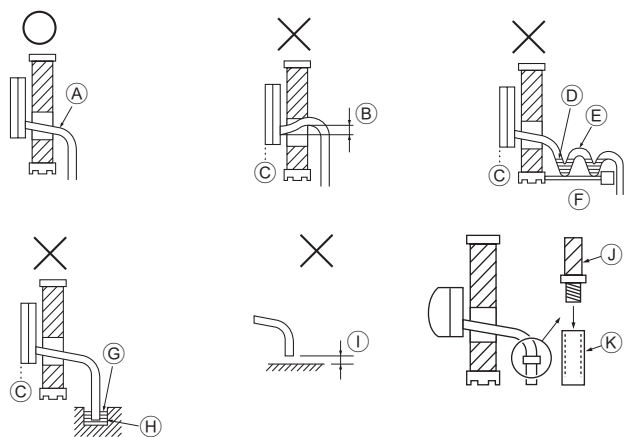


Fig. 5-1

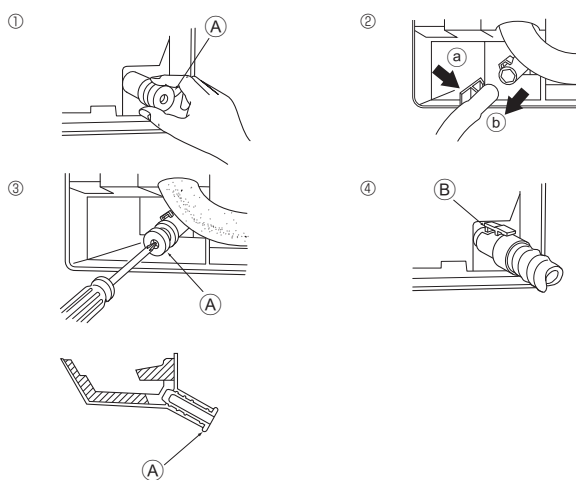


Fig. 5-2

■ PKFY-P-VKM-E

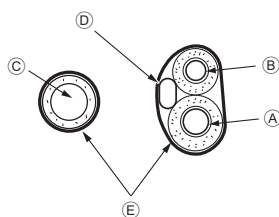


Fig. 5-3

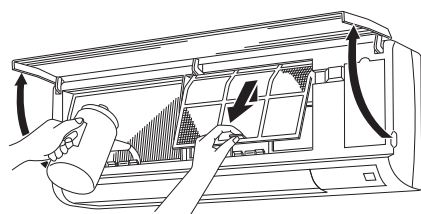


Fig. 5-4

5.1. Tubería de drenaje (Fig. 5-1)

- Los tubos de drenaje deben tener una inclinación de 1/100 o más.
- Para alargar la tubería de drenaje utilice una manguera blanda (diámetro interior: 15 mm) disponible en tiendas especializadas o una tubería dura de cloruro de vinilo (VP-16/O.D. ø22 TUBO PVC). Asegúrese de que no se producen fugas de agua en las conexiones.
- No ponga la tubería de drenaje directamente en una zanja de desagüe donde se pueda generar gas sulfúrico.
- Cuando haya terminado de trabajar en las tuberías, asegúrese de que el agua circula desde el final de la tubería de drenaje.

⚠ Cuidado:

El tubo de drenaje se instalará de acuerdo con el Manual de Instalación para garantizar el drenaje correcto. El aislamiento térmico de los tubos de drenaje es necesario para evitar la condensación. Si los tubos de drenaje no se instalan y se aíslan correctamente, la condensación puede gotear por el techo, el suelo u otras propiedades.

- Ⓐ Inclinado hacia abajo
- Ⓑ Debe estar más abajo que el punto de salida
- Ⓒ Fuga de agua
- Ⓓ Drenaje atascado
- Ⓔ Aire
- Ⓕ Ondulado
- Ⓖ El extremo del tubo de drenaje está bajo el agua.
- Ⓗ Canaleta de drenaje
- ① 5 cm o menos entre el extremo del tubo de drenaje y el suelo.
- Ⓙ Manguera de drenaje
- Ⓚ Manguera blanda de PVC (diámetro interior 15 mm)
 - o tubo rígido de PVC (VP-16)
 - * Unido con adhesivo de tipo PVC

Preparación de la tubería izquierda y posterior izquierda (Fig. 5-2)

- ① Saque la tapa de drenaje.
- Saque la tapa de drenaje sujetando la parte que sobresale del extremo del tubo y tirando.
 - Ⓐ Tapa de drenaje
- ② Saque la manguera de drenaje.
- Saque la manguera de drenaje sujetando la base de la manguera ⓐ (indicada con una flecha) y tire hacia usted ⓑ.
- ③ Introduzca la tapa de drenaje.
- Introduzca un destornillador u objeto similar en el orificio del extremo del tubo y asegúrese de que empuja la base de la tapa de drenaje.
- ④ Introduzca la manguera de drenaje.
- Empuje la manguera de drenaje hasta que se encuentre en la base de la salida de la conexión de la caja de drenaje.
- Asegúrese de que el gancho de la manguera de drenaje esté debidamente ajustado sobre la salida de conexión de la caja de drenaje troquelada.
 - Ⓑ Ganchos

◆ Alojamiento en el espacio para tuberías de la unidad interior (Fig. 5-3)

- * Cuando la manguera de drenaje se haga pasar al interior, asegúrese de envolverla con material aislante de venta en comercios.
- * Junte la manguera de drenaje y las tuberías de refrigerante, y envuélvalas con la cinta de fieltro ③ suministrada.
- * Solape la cinta de fieltro ③ sobre la mitad de la anchura de la cinta.
- * Fije la parte final de la envoltura con cinta de vinilo, etc.

- Ⓐ Tubo de gas
- Ⓑ Tubo de líquido
- Ⓒ Manguera de drenaje
- Ⓓ Cableado de conexión interior/exterior
- Ⓔ Cinta de fieltro ③

◆ Comprobación del drenaje (Fig. 5-4)

1. Abra la rejilla frontal y extraiga el filtro.
2. De cara a las aletas del intercambiador de calor, añada agua despacio.
3. Tras la comprobación del drenaje, coloque el filtro y cierre la rejilla.

6. Trabajo eléctrico

■ PKFY-P-VKM-E

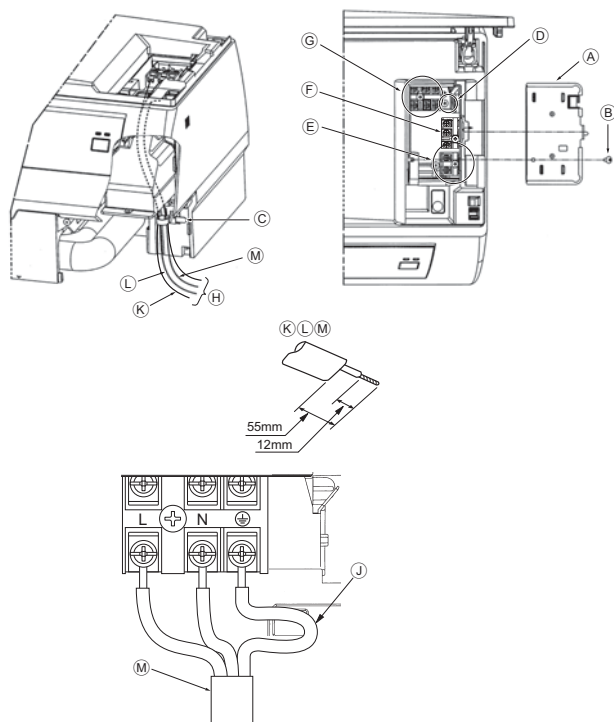


Fig. 6-1

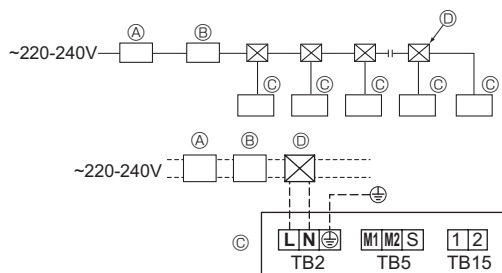


Fig. 6-2

6.1. Trabajo eléctrico

■ PKFY-P-VKM-E (Fig. 6-1)

La conexión se puede realizar sin quitar el panel frontal.

1. Abra la rejilla frontal, retire el tornillo (1 unidad) y quite la cubierta de las piezas eléctricas.
2. Conecte firmemente cada cable al bloque de terminales.
 - * Teniendo en cuenta los trabajos de mantenimiento, deje una longitud extra para cada uno de los cables.
 - * Tenga cuidado cuando utilice cables trenzados, porque las barbas pueden hacer que el cable se cortocircuite.
3. Vuelva a instalar las piezas retiradas en su estado original.
4. Sujete cada uno de los cables con la grapa que hay bajo la caja de piezas eléctricas.

- Ⓐ Cubierta de la caja eléctrica
- Ⓑ Tornillo de fijación
- Ⓒ Grapa
- Ⓓ Parte de conexión del cable a tierra
- Ⓔ Bloque de terminales del controlador remoto MA: (1, 2) sin polaridad
- Ⓕ Bloque de terminales de transmisión: (M1, M2, S) sin polaridad
- Ⓖ Bloque de terminales de la fuente de alimentación (L, N, tierra).
- Ⓗ Cable
- Ⓙ Parte de conexión del cable a tierra: Conectar el cable a tierra en el sentido ilustrado en el diagrama.
- Ⓚ Cable del controlador remoto
- Ⓛ Cable de transmisión
- Ⓜ Cable de alimentación

6.2. Cableado de alimentación

- El diámetro de los cables debe cumplir la normativa local y nacional.
- Los cables de la fuente de alimentación del aparato eléctrico no deben ser más ligeros que el diseño 245 IEC 53 o 227 IEC57, 245 IEC 53 o 227 IEC 53.
- Instale un cable de tierra más largo que los demás cables.
- La instalación del aire acondicionado debe proporcionar un interruptor con un mínimo de 3 mm (1/8 inch) de separación entre los contactos de cada polo.

[Fig.6-2]

- Ⓐ Interruptor de falta de tierra
- Ⓑ Interruptor local/Interruptor de cableado
- Ⓒ Unidad interior
- Ⓓ Caja de derivación

⚠ Atención:

No empalme nunca el cable de corriente o el cable de la conexión interior-exterior, de lo contrario se podrían provocar humo, un incendio o un fallo en la comunicación.

6. Trabajo eléctrico

Corriente operativa total de la unidad interior	Grosor mínimo de cable (mm ²)			Interrupor de falta de tierra *1	Interrupor local (A)		Interrupor para cableado (NFB)
	Cable principal	Ramal	Tierra		Capacidad	Fusible	
F0 = 16A o menos *2	1,5	1,5	1,5	Sensibilidad de corriente de 20 A *3	16	16	20
F0 = 25A o menos *2	2,5	2,5	2,5	Sensibilidad de corriente de 30 A *3	25	25	30
F0 = 32A o menos *2	4,0	4,0	4,0	Sensibilidad de corriente de 40 A *3	32	32	40

Aplicase el IEC61000-3-3 para la impedancia máx. admitida en el sistema.

*1 El interrupor de falta de tierra debería ser compatible con el circuito del inversor.

El interrupor de falta de tierra debería emplear un interrupor local o un interrupor de cableado.

*2 Emplee el mayor de F1 o F2 como valor de F0.

F1 = corriente máxima operativa total de las unidades interiores $\times 1,2$

F2 = $\{V1 \times (\text{cantidad del tipo 1})/C\} + \{V1 \times (\text{cantidad del tipo 2})/C\} + \{V1 \times (\text{cantidad del tipo 3})/C\} + \{V1 \times (\text{cantidad de otros})/C\}$

Unidad interior	V1	V2
Tipo 1 PLFY-VBM, PMFY-VBM, PEFY-VMS, PFFY-VKM, PCFY-VKM, PKFY-VHM, PKFY-VKM, PLFY-VCM	18,6	2,4
Tipo 2 PEFY-VMA	38	1,6
Tipo 3 PEFY-VMHS	13,8	4,8
Otros Otra unidad interior	0	0

C : Múltiplo de la corriente de activación en un tiempo de activación de 0,01 s

Por favor, calcule la variable "C" en función del grado de activación del interrupor.

<Ejemplo de cálculo para "F2">

*Condición PEFY-VMS $\times 4$ + PEFY-VMA $\times 1$, C = 8 (consulte el gráfico de la derecha)

F2 = $18,6 \times 4/8 + 38 \times 1/8$

= 14,05

→ Interrupor de 16A (Corriente de activación = $8 \times 16A$ a 0,01s)

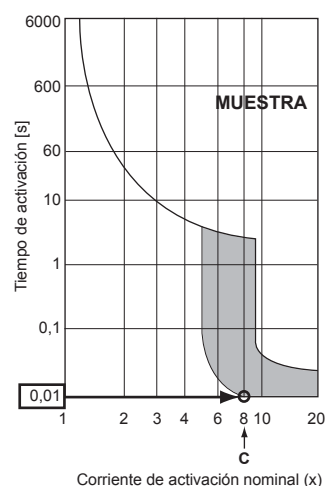
*3 La sensibilidad de corriente se calcula mediante la siguiente fórmula.

G1 = $V2 \times (\text{cantidad del tipo 1}) + V2 \times (\text{cantidad del tipo 2}) + V2 \times (\text{cantidad del tipo 3}) + V2 \times (\text{cantidad de otros}) + V3 \times (\text{longitud de cable [km]})$

G1	Sensibilidad de corriente
30 o menos	30 mA 0,1s o menos
100 o menos	100 mA 0,1s o menos

Grosor de cable	V3
1,5 mm ²	48
2,5 mm ²	56
4,0 mm ²	66

Gráfico de muestra



6.3. Tipos de cables de control

1. Cables de transmisión

Tipos de cable de transmisión	Cable blindado CVVS o CPEVS
Diámetro del cable	Más de 1,25 mm ²
Longitud	Menos de 200 m

2. Cables de mando a distancia M-NET

Tipo de cable de mando a distancia	Cable blindado MVVS
Diámetro del cable	Más de 0,5 a 1,25 mm ²
Longitud	Cualquier sección que exceda los 10 m y que alcance hasta un máximo de 200 m de longitud permisible para el cable de transmisión.

3. Cables de mando a distancia MA

Tipo de cable de mando a distancia	Cable de 2 almas (no blindado)
Diámetro del cable	0,3 a 1,25 mm ²
Longitud	Menos de 200 m

6. Trabajo eléctrico

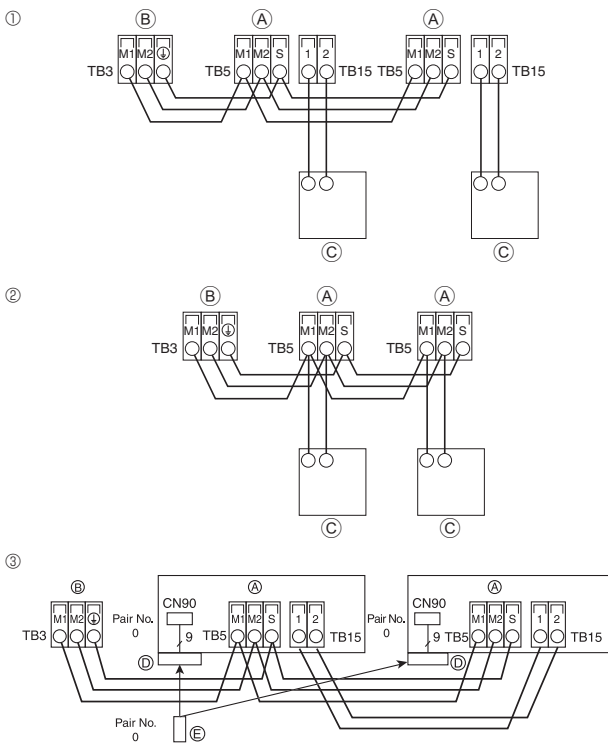


Fig. 6-3

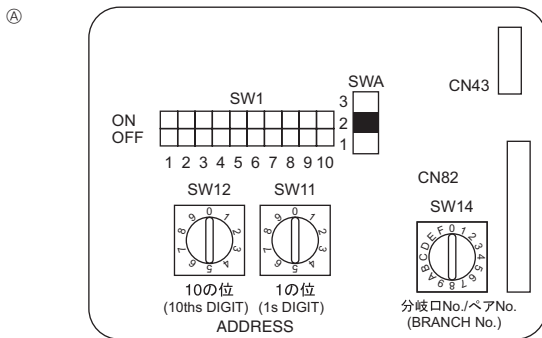


Fig. 6-4

6.4. Conexión de los cables de transmisión del mando a distancia y de las unidades exterior e interior (Fig. 6-3)

- Conecte TB5 de la unidad interior y TB3 de la unidad exterior (cable no polarizado de 2 hilos). La "S" en TB5 de la unidad interior indica una conexión de cable blindado. Consulte en el manual de instalación de la unidad exterior las especificaciones sobre los cables de conexión.
 - Instale el mando a distancia siguiendo las indicaciones del manual que se suministra con el mismo.
 - Si el cable de transmisión del mando a distancia tiene menos de 10 m, use un cable de conductor interno aislado de 0,75 mm². Si la distancia es superior a los 10 m, use un cable de enlace de 1,25 mm².
- Mando a distancia MA
 - Conecte el "1" y el "2" de la unidad interior TB15 a un mando a distancia MA (2 cables no polarizados).
 - DC 9 a 13 V entre 1 y 2 (Mando a distancia MA)
 - Mando a distancia M-NET
 - Conecte el "M1" y el "M2" de la unidad interior TB5 a un mando a distancia M-NET (2 cables no polarizados).
 - DC 24 a 30 V entre M1 y M2 (Mando a distancia M-NET)
 - Controlador remoto inalámbrico (al instalar un receptor de señales inalámbricas)
 - Conecte el cable del receptor de señales inalámbricas (cable de 9 polos) a CN90 en el cuadro de control interior.
 - Si hay más de dos unidades funcionando bajo el control de grupo utilizando el controlador remoto inalámbrico, conecte cada TB15 con el mismo número.
 - Para cambiar el n° de emparejamiento ajustado, consulte el manual de instalación suministrado con el controlador remoto inalámbrico. (De forma predeterminada, el n° de emparejamiento es 0 en la unidad interior y en el controlador remoto inalámbrico.)
- (A) Bloque de terminales para el cable de transmisión interior
 (B) Bloque de terminales para el cable de transmisión exterior (M1(A), M2(B), ⊕(S))
 (C) Controlador remoto
 (D) Receptor de señal inalámbrica
 (E) Controlador remoto inalámbrico

6.5. Configuración de las direcciones (Fig. 6-4)

- (Asegúrese de trabajar con la corriente desconectada)
- Hay disponibles dos tipos de configuraciones para los conmutadores giratorios: uno para la configuración de las direcciones 1 a 9 y por encima de 10 y otro para configurar los números de los ramales.
- Cómo ajustar direcciones
 - Ejemplo: Si la dirección es "3", mantenga SW12 (para más de 10) en "0", y equipare SW11 (para 1 a 9) a "3".
 - Cómo ajustar números de bifurcación SW14 (sólo para la Serie R2)
 - Haga coincidir el tubo refrigerante de la unidad interior con el número de conexión del terminal del controlador BC.
 - Mantenga las demás series que no sean la R2 en "0".
- Todos los interruptores rotatorios están ajustados en "0" al salir de fábrica. Estos interruptores se pueden utilizar para ajustar direcciones de unidades y números de bifurcación según se desee.
 - La determinación de direcciones de unidades interiores varía según el sistema in-situ. Ajústelas según se indica en el Libro de Datos.

6.6. Determinación de la temperatura ambiente con el sensor incorporado en un mando a distancia

Si desea determinar la temperatura ambiente con el sensor incorporado en un mando a distancia, ajuste SW1-1 en el panel de control a "ON". El ajuste de SW1-7 y SW8 también hace posible ajustar el flujo de aire cuando el termómetro de calefacción está apagado.

6.7. Especificaciones eléctricas

Leyenda: MCA: amperaje máximo del circuito (= 1,25×FLA) FLA: Amperaje con carga plena
IFM: motor del ventilador interno Potencia: potencia nominal del motor del ventilador

Modelo	Fuente de alimentación			IFM	
	Voltios/ Hz	Rango +- 10%	MCA (A)	Potencia (kW)	FLA (A)
PKFY-P63VKM-E	220-240 V / 50 Hz	Máx.: 264 V	0,36	0,056	0,29
PKFY-P100VKM-E	220 V / 60 Hz	Mín.: 198 V	0,63	0,056	0,50

7. Prueba de funcionamiento

7.1. Antes de realizar las pruebas

- ▶ Después de la instalación de tubos y cables en las unidades interior y exterior, compruebe que no haya escapes de refrigerante, que no se haya aflojado ni la fuente de alimentación ni el cableado de control, que la polaridad no sea errónea y que no se haya desconectado ninguna fase de la alimentación.
- ▶ Utilice un megaohmímetro de 500 V para comprobar que la resistencia entre los bornes de alimentación y la tierra es como mínimo de 1,0 MΩ.

- ▶ No efectúe esta prueba en los bornes de los cables de control (circuito de bajo voltaje).

⚠ Atención:

No utilice el aire acondicionado si la resistencia de aislamiento es inferior a 1,0 MΩ.

Interfaz del controlador

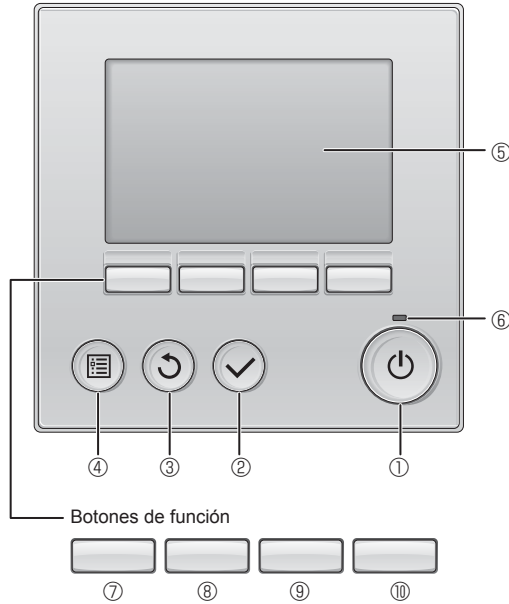


Fig. 7-1

7.2. Prueba de funcionamiento

Están disponibles los siguientes 3 métodos.

7.2.1. Al usar el controlador remoto cableado (Fig. 7-1)

① Botón [ENCENDIDO/APAGADO]

Presione para ENCENDER/APAGAR la unidad interior.

② Botón [ACEPTAR]

Presione para guardar la configuración.

③ Botón [VOLVER]

Pulse para volver a la pantalla anterior.

④ Botón [MENÚ]

Presione para ir al Menú principal.

⑤ LCD con iluminación de fondo

Aparecerá la configuración de operaciones.

Cuando la luz de fondo esté apagada, al presionar cualquier botón se ilumina la luz de fondo y permanece encendida durante un periodo de tiempo determinado dependiendo de la pantalla.

Cuando la luz de fondo está apagada, la luz se enciende al presionar cualquier botón, que no realizará su función. (salvo el botón [ENCENDIDO/APAGADO])

⑥ Lámpara de ENCENDIDO/APAGADO

Esta lámpara se ilumina en verde mientras la unidad esté en funcionamiento. Parpadea cuando se está iniciando el controlador remoto o cuando hay un error.

⑦ Botón de función [F1]

Pantalla principal: Presione para cambiar el modo de operación.

Menú principal: Presione para mover el cursor hacia abajo.

⑧ Botón de función [F2]

Pantalla principal: Presione para disminuir la temperatura.

Menú principal: Presione para mover el cursor hacia arriba.

⑨ Botón de función [F3]

Pantalla principal: Presione para aumentar la temperatura.

Menú principal: Presione para ir a la página anterior.

⑩ Botón de función [F4]

Pantalla principal: Presione para cambiar la velocidad del ventilador.

Menú principal: Presione para ir a la página anterior.

Paso 1 Seleccione "Test run" (Modo prueba) desde el controlador remoto.

- ① Seleccione "Service" (Revisión) desde el Menú principal, y pulse el botón (✓).
- ② Una vez seleccionado el Menú Revisión aparecerá una ventana que pide la contraseña. (Fig. 7-2) Para introducir la contraseña actual de mantenimiento (4 dígitos numéricos), mueva el cursor hasta el dígito que desea cambiar con el botón [F1] o [F2] y fije cada número (0 a 9) con el botón [F3] o [F4]. A continuación, pulse el botón (✓).

Nota: La contraseña inicial de mantenimiento es "9999". Cambie la contraseña predeterminada para evitar un posible acceso no autorizado. Tenga la contraseña disponible para aquellos que la necesiten.

Nota: Si se olvida de la contraseña de mantenimiento, puede restablecer la contraseña predeterminada "9999" pulsando y manteniendo pulsados los botones [F1] y [F2] simultáneamente durante tres segundos en la pantalla de ajuste de contraseña de mantenimiento.

- ③ Seleccione "Test run" (Modo prueba) con el botón [F1] o [F2], y pulse el botón (✓). (Fig. 7-3)
- ④ Seleccione "Test run" (Modo prueba) con el botón [F1] o [F2], y pulse el botón (✓). (Fig. 7-4)

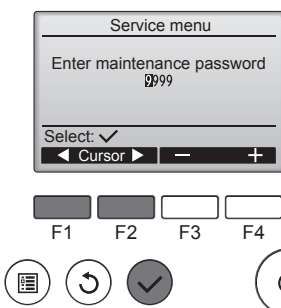


Fig. 7-2

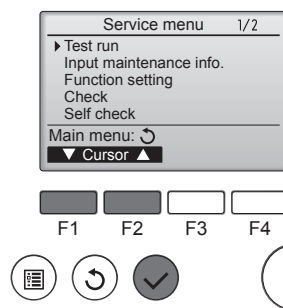


Fig. 7-3

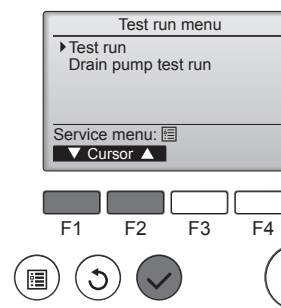


Fig. 7-4

7. Prueba de funcionamiento

Paso 2 Realice la prueba y compruebe la temperatura del flujo de aire y el sistema automático de desviación del aire.

- ① Pulse el botón [F1] para recorrer los modos de funcionamiento, siguiendo el orden de "Cool" (Frio) y "Heat" (Calor). (Fig. 7-5)
 Modo Frío: compruebe si sale aire frío.
 Modo Calor: compruebe si sale aire caliente.
 * Compruebe el funcionamiento del ventilador de la unidad exterior.
- ② Pulse el botón [V] y abra la pantalla de ajuste de la paleta.

Comprobación de la paleta automática

- ① Compruebe la paleta automática con los botones [F1] [F2]. (Fig. 7-6)
- ② Pulse el botón [V] para volver a "Test run" (Modo prueba).
- ③ Pulse el botón [P].

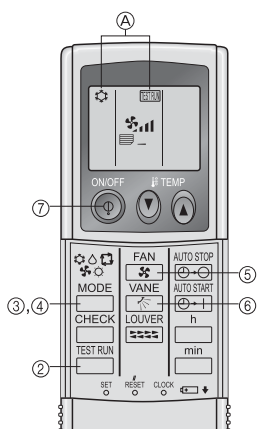


Fig. 7-7

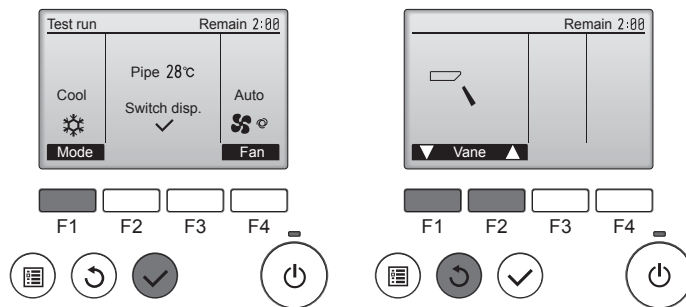


Fig. 7-5

Fig. 7-6

7.2.2. Al usar el controlador remoto inalámbrico (Fig. 7-7)

- ① Encienda la unidad al menos 12 horas antes de la prueba de funcionamiento.
- ② Pulse el botón [TEST RUN] dos veces seguidas.
 (Inicie el procedimiento con la pantalla de estado del controlador remoto apagada.)
 A Se ven en pantalla [TEST RUN] y el modo actual de funcionamiento.
- ③ Presione el botón [MODE] (☄ ☄ ☄ ☄) para activar el modo de refrigeración COOL ☄ y compruebe si sale aire frío de la unidad.
- ④ Presione el botón [MODE] (☄ ☄ ☄ ☄) para activar el modo de calefacción HEAT ☄ y compruebe si sale aire caliente de la unidad.
- ⑤ Pulse el botón [FAN] y compruebe si cambia la velocidad del ventilador.
- ⑥ Presione el botón [VANE] y compruebe que el sistema automático de desviación del aire funciona correctamente.
- ⑦ Presione el botón ON/OFF para finalizar el funcionamiento de prueba.

Nota:

- Cuando siga los pasos ② a ⑦, oriente el mando a distancia hacia el receptor de la unidad interior.
- No es posible activar el modo FAN, DRY o AUTO.

Indice

1. Misure di sicurezza.....	67	5. Installazione della tubazione di drenaggio	74
2. Luogo in cui installare.....	68	6. Collegamenti elettrici.....	75
3. Installazione della sezione interna	68	7. Prova di funzionamento.....	78
4. Installazione della tubazione del refrigerante	72		

Nota:
Nel presente manuale di installazione la locuzione “comando a distanza con filo” fa riferimento al dispositivo PAR-32MAA.
Per informazioni relative all'altro comando a distanza, consultare il manuale di installazione o il manuale delle impostazioni iniziali acclusi a queste confezioni.

1. Misure di sicurezza

- ▶ Leggere attentamente la sezione “Misure di sicurezza” prima di far funzionare l'unità.
- ▶ Prima di collegare l'apparecchiatura alla rete di alimentazione, informare l'ente energia o richiederne il consenso.

⚠ Avvertenza:

Descrive le precauzioni da prendere per evitare il rischio di lesioni, anche mortali, per l'utente.

⚠ Cautela:

Descrive le precauzioni da prendere per evitare il danneggiamento dell'unità.

Terminata l'installazione, spiegare le “Misure di sicurezza”, l'uso e la manutenzione dell'unità al cliente conformemente alle informazioni riportate nel manuale d'uso ed eseguire il ciclo di prova per accertare che l'impianto funzioni normalmente. Consegnare il Manuale d'uso ed il Manuale di installazione al cliente, che li dovrà conservare e, in futuro, consegnarli ad eventuali nuovi utenti.

⚠ Avvertenza:

- Chiedere al distributore o ad una società autorizzata di installare l'unità.
- L'utente deve astenersi dal tentare di riparare l'unità, nonché dal cambiare posizione alla stessa.
- Installare l'unità in un luogo in grado di sostenere il suo peso.
- Utilizzare esclusivamente i cablaggi specificati. I collegamenti devono essere fatti in condizioni di sicurezza, senza tensione sui connettori. Inoltre, non giuntare mai i cablaggi (se non diversamente indicato nel presente documento). La mancata osservanza di queste istruzioni può essere causa di surriscaldamento o incendio.
- Utilizzare soltanto accessori autorizzati dalla Mitsubishi Electric e chiedere al proprio distributore o ad una società autorizzata di installarli.
- Non toccare le alette dello scambiatore di calore.
- Installare l'unità conformemente a quanto indicato nel manuale di installazione.
- Tutti i lavori elettrici devono essere eseguiti da un elettricista esperto, nel rispetto degli standard normativi locali.
- L'apparecchio deve essere installato in conformità con gli standard normativi nazionali sul cablaggio.
- Se il cavo di alimentazione è danneggiato, deve essere sostituito dal

⚠ Cautela:

- Non usare l'esistente tubazione del refrigerante quando si utilizza il refrigerante R410A.
- Usare olio a base di esteri, olio a base di etere o alchilbenzene (in piccola quantità) per lubrificare i collegamenti a cartella ed a flangia, quando si utilizza il refrigerante R410A.
- Non tenere generi alimentari, animali domestici, piante, strumenti di precisione od opere d'arte nella zona della portata d'aria del condizionatore.
- Non usare il condizionatore in ambienti speciali.
- Messa a terra dell'unità.
- Installare un interruttore del circuito, se necessario.

⊘ : Indica un'azione da evitare.

⚠ : Indica la necessità di rispettare un'istruzione importante.

⚡ : Indica la necessità di collegare un componente a massa.

⚠ : Indica che occorre operare con grande cautela con le parti rotanti.

⚠ : Indica che l'interruttore principale deve essere disattivato prima di effettuare la manutenzione.

⚡ : Attenzione alle scosse elettriche.

⚠ : Attenzione alle superfici roventi.

⚠ ELV : Al momento della manutenzione, interrompere l'alimentazione sia della sezione interna che esterna.

⚠ Avvertenza:

Leggere attentamente le etichette attaccate all'unità principale.

fabbricante, dal responsabile addetto all'assistenza o da personale ugualmente qualificato, in modo da scongiurare pericoli.

- Se il condizionatore d'aria viene installato in una stanza di piccole dimensioni, occorre adottare le misure necessarie per evitare la concentrazione di refrigerante al di là dei limiti di sicurezza, in caso di perdite.
- Le parti appuntite possono causare ferite da taglio, ecc. Gli installatori devono pertanto indossare equipaggiamenti protettivi, come guanti, ecc.
- Durante l'installazione o il trasloco, o quando si sottopone ad assistenza il condizionatore d'aria, utilizzare solo il refrigerante specificato (R410A) per ricaricare i tubi del refrigerante. Non mescolarlo con nessun altro tipo di refrigerante e non consentire all'aria di restare all'interno dei tubi. Qualora dell'aria si mescoli con il refrigerante, potrebbe far innalzare in modo anomalo la pressione nel tubo del refrigerante, il che potrebbe provocare un'esplosione o altri pericoli. L'uso di refrigeranti diversi da quello specificato per il sistema provocherà guasti meccanici, malfunzionamenti del sistema o la rottura dell'unità. Nel peggiore dei casi, questo potrebbe impedire seriamente di garantire la messa in sicurezza del prodotto.

• Utilizzare, per le linee di alimentazione, cavi standard con una capacità sufficiente.

• Usare soltanto un interruttore del circuito e fusibili della capacità specificata.

• Non toccare alcun interruttore con le dita bagnate.

• Non toccare i tubi del refrigerante con le mani nude durante ed immediatamente dopo il funzionamento.

• Prima di iniziare il funzionamento dell'unità, controllare che tutti i pannelli, e le protezioni siano installate correttamente.

• Dopo aver arrestato l'unità, non spegnere immediatamente l'interruttore di alimentazione principale.

2. Luogo in cui installare

■ PKFY-P-VKM-E

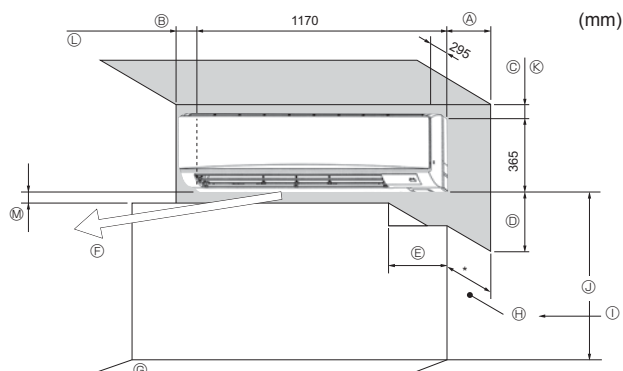


Fig. 2-1

2.1. Dimensioni dell'unità (Sezione interna) (Fig. 2-1)

Selezionare una posizione di installazione in grado di offrire i seguenti spazi necessari per l'installazione e la manutenzione dell'unità:

■ PKFY-P-VKM-E

(mm)

A	B	C	D	E
Min. 100,5	Min. 52,3	Min. 48	Min. 250	Min. 220

- Ⓕ Uscita aria: non collocare ostacoli entro 1500 mm dall'uscita aria.
- Ⓖ Superficie del pavimento
- Ⓗ Arredamento
- Ⓘ Se la sporgenza dal muro di un bastone per tende o simili supera 60 mm, aumentare la distanza poiché la corrente d'aria generata dalla ventola potrebbe creare cicli di avvio/arresto troppo brevi.
- Ⓢ Almeno 1800 mm dalla superficie del pavimento (per montaggio in alto)
- Ⓚ Almeno 108 mm con tubazione posteriore o sinistra e pompa di drenaggio opzionale
- Ⓛ Almeno 550 mm con meccanismo di drenaggio opzionale
- Ⓜ Minimo 7 mm; almeno 265 mm con pompa di drenaggio opzionale

3. Installazione della sezione interna

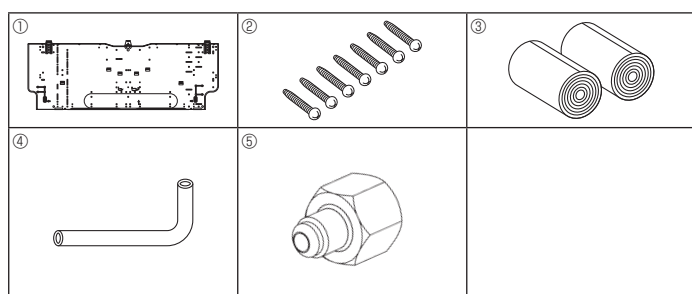


Fig. 3-1

■ PKFY-P-VKM-E

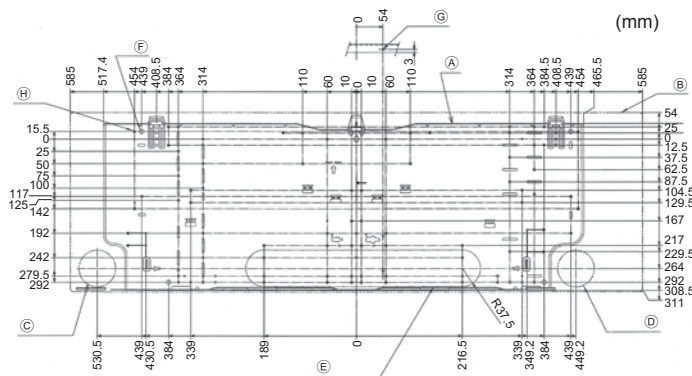


Fig. 3-2

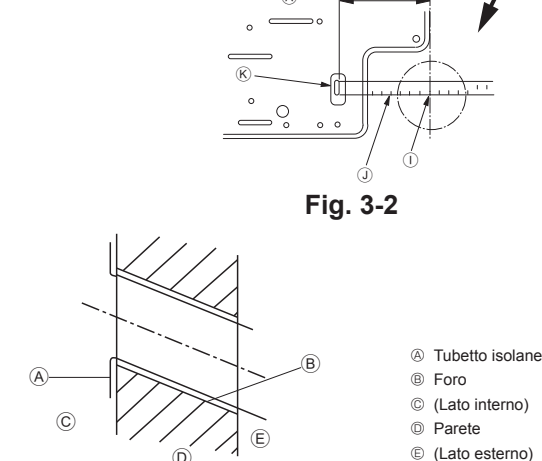


Fig. 3-3

3.1. Controllare gli accessori dell'unità interna (Fig. 3-1)

L'unità interna dovrebbe essere in dotazione i seguenti accessori.

NUMERO COMPONENTE	ACCESSORIO	QUANTITÀ		UBICAZIONE
		P63	P100	
①	Piastra di montaggio	1	1	Fisso sul retro dell'unità
②	Vite autofilettante 4 x 25	7	7	
③	Nastro di feltro	2	2	
④	Tubo di collegamento a L	1	1	
⑤	Dado di caricamento	1	1	

3.2. Installazione dell'attrezzatura di montaggio a parete

3.2.1. Preparazione dell'attrezzatura di montaggio e delle posizioni della tubazione

► Utilizzando l'attrezzatura di montaggio a parete, determinare la posizione di installazione dell'unità ed i punti in cui sarà necessario praticare i fori.

⚠ Avvertenza:

Prima di praticare un foro sulla parete, consultare il costruttore dell'edificio.

■ PKFY-P-VKM-E (Fig. 3-2)

- A Piastra di montaggio ①
- B Unità interna
- C Foro inferiore sinistro per tubo posteriore (ø75-ø80)
- D Foro inferiore destro per tubo posteriore (ø75-ø80)
- E Foro di uscita per foro posteriore sinistro (75 x 480)
- F Foro per bullone (4-foro ø9)
- G Foro di misurazione centrale (foro ø2,5)
- H Foro filettato (75-foro ø5,1)
- I Centro del foro
- J Allineare il righello alla linea.
- K Inserire il righello.

3.2.2. Fori della tubazione (Fig. 3-3)

- Utilizzare un trapano per effettuare un foro di 75-80 mm di diametro nella parete, in linea con la direzione della tubazione, nel punto indicato nel diagramma di sinistra.
- Il foro nella parete deve essere inclinato, in modo che l'apertura esterna sia più piccola dell'apertura interna.
- Inserire nel foro un tubetto isolante (diametro di 75 mm di fornitura locale)

Nota:

Lo scopo dell'inclinazione del foro è di agevolare il drenaggio dell'unità.

3. Installazione della sezione interna

■ PKFY-P-VKM-E

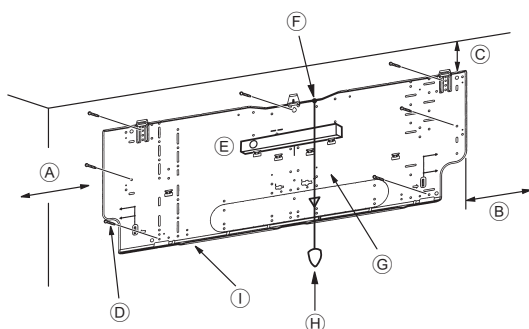


Fig. 3-4

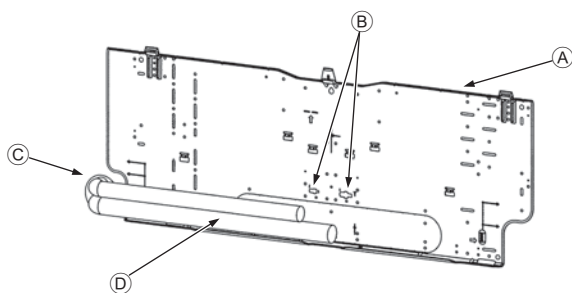


Fig. 3-5

■ PKFY-P-VKM-E

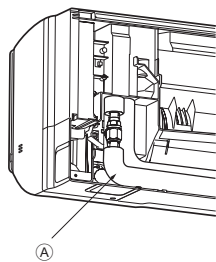


Fig. 3-6

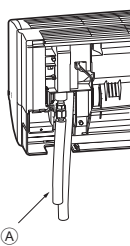


Fig. 3-7



Fig. 3-8

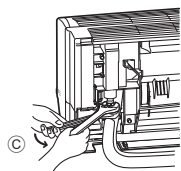


Fig. 3-9

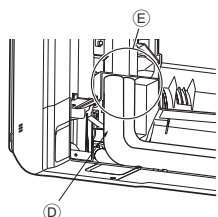


Fig. 3-10

3.2.3. Installazione dell'attrezzatura di montaggio sulla parete

- Poiché l'unità interna pesa circa 22 kg, selezionare il luogo di montaggio tenendo conto di questo fattore. Se la parete non sembra assai solida, rinforzarla con pannelli o travi prima di installare l'unità.
- L'attrezzatura di montaggio deve essere fissata ad entrambe le estremità ed al centro, se possibile. Non fissarla in un solo punto od in modo asimmetrico. (Se possibile, fissare l'attrezzatura nei punti marcati con una freccia in grassetto.)

⚠ Avvertenza:

Se possibile, fissare l'attrezzatura in tutti i punti marcati con una freccia in grassetto.

⚠ Cautela:

- Il corpo dell'unità deve essere montato orizzontalmente.
- Assicurare ai fori marcati con ▲.

■ PKFY-P-VKM-E (Fig. 3-4)

- Ⓐ Min. 120 mm (617,6 mm con pompa di drenaggio opzionale)
- Ⓑ Min. 220 mm
- Ⓒ Min. 70 mm (almeno 130 mm con tubazione sinistra, posteriore sinistra o posteriore inferiore sinistra e pompa di drenaggio opzionale)
- Ⓓ Viti di fissaggio (4 x 25) ②
- Ⓔ Livello
- Ⓕ Far passare una corda attraverso il foro.
- Ⓖ Collocare la livella contro la linea di riferimento orizzontale della piastra di montaggio e montarla in piano. Appendere un piombo alla corda e allinearla con il segno ▽ EPK della piastra di montaggio, in modo da eseguire la messa in piano.
- Ⓗ Piombo
- Ⓛ Piastra di montaggio ①

3.3. Inserimento dei tubi nella parete (Fig. 3-5)

- I tubi si trovano sul lato posteriore sinistro.
 - Se il tubo di raffreddamento, le tubazioni di raccordo interna/esterna dei tubi di drenaggio, ecc. devono essere inseriti nella parete in via preliminare, potrebbe essere necessario piegare i tubi sporgenti e simili o modificarne la lunghezza in modo da adattarli all'unità.
 - Utilizzare il segno di riferimento sulla piastra di montaggio per regolare la lunghezza del tubo di raffreddamento incassato.
 - Durante la costruzione, lasciare un margine di sicurezza per i tubi sporgenti e simili.
- Ⓐ Piastra di montaggio ①
 - Ⓑ Segno di riferimento per raccordo a cartella
 - Ⓒ Foro di passaggio
 - Ⓓ Tubazione locale

3.4. Preparazione dell'unità interna

- * Eseguire un controllo preventivo poiché i lavori di preparazione variano in base alla direzione di uscita delle tubazioni.
- * Per curvare le tubazioni, piegarle gradualmente tenendone il tratto di uscita alla base (una curvatura brusca può deformare le tubazioni).

■ PKFY-P-VKM-E

Fissaggio del tubo di collegamento a L ④

Tubazione destra, sinistra e posteriore (Fig. 3-6)

1. Rimuovere il dado a cartella e il tappo dell'unità interna (solo tubo di trasporto gas).
 2. Applicare olio per macchine refrigeranti sulla superficie della sede di fissaggio (preparazione da eseguire in sede di installazione).
 3. Frontalmente alla direzione in cui il tubo di collegamento a L ④ verrà rimosso, eseguire un collegamento rapido con l'apertura per il raccordo a cartella dell'unità interna.
 4. Stringere il dado a cartella con due chiavi. (Fig. 3-9)
Coppia di serraggio: da 68 a 82 N·m
 5. Collegare il dado di carico ⑤ al tratto di giunzione sul lato del tubo di trasporto liquido e controllare eventuali perdite sul tratto di giunzione del tubo di collegamento a L ④.
Rimuovere il dado di carico ⑤ al termine delle operazioni.
Coppia di serraggio: da 34 a 42 N·m
 6. Coprire il tratto raccordato a cartella con il copritubo del tubo di collegamento a L ④ in modo che non rimanga esposto. (Fig. 3-10)
- Ⓐ Tubo di collegamento a L ④
 - Ⓑ Posizione di taglio (tratto dritto del tubo)
 - Ⓒ Direzione di serraggio
 - Ⓓ Coprire con il copritubo
 - Ⓔ Coprire il tratto di giunzione del dado a cartella con il copritubo.

Tubazione inferiore (Fig. 3-7)

1. Tagliare il tubo di collegamento a L ④ nella posizione indicata in (Fig. 3-8).
2. Inserire il dado a cartella rimosso precedentemente sul lato dritto del tubo di collegamento a L tagliato ④, quindi svasare l'estremità del tubo.
3. Rimuovere il dado a cartella e il tappo dell'unità interna (solo tubo di trasporto gas).
4. Applicare olio per macchine refrigeranti sulla superficie della sede di fissaggio (preparazione da eseguire in sede di installazione).
5. Collegare rapidamente il tubo di collegamento a L ④ lavorato come al passaggio 2) con l'apertura per il raccordo a cartella dell'unità interna.
6. Stringere il dado a cartella con due chiavi. (Fig. 3-9)
Coppia di serraggio: da 68 a 82 N·m
7. Collegare il dado di carico ⑤ al tratto di giunzione sul lato del tubo di trasporto liquido e controllare eventuali perdite sul tratto di giunzione del tubo di collegamento a L ④.
Rimuovere il dado di carico ⑤ al termine delle operazioni.
Coppia di serraggio: da 34 a 42 N·m
8. Coprire il tratto raccordato a cartella con il copritubo del tubo di collegamento a L ④ in modo che non rimanga esposto. (Fig. 3-10)

3. Installazione della sezione interna

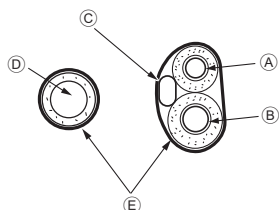


Fig. 3-11

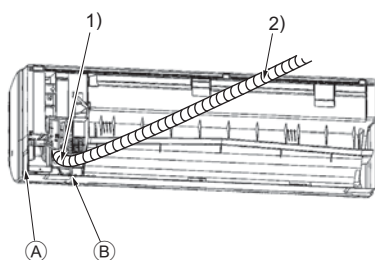


Fig. 3-12

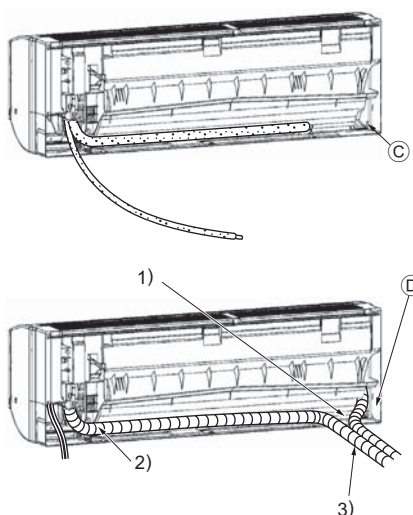


Fig. 3-13

Controllo delle perdite sul tratto di giunzione del tubo di collegamento a L

1. Collegare il dado di caricamento ⑤ al tratto di giunzione sul lato del tubo di trasporto liquido.
Coppia di serraggio: da 34 a 42 N·m
2. Pressurizzare con azoto gassoso dal dado di caricamento.
Non portare la pressione al livello d'esercizio corrente in un solo passaggio. Pressurizzare gradualmente.
 - 1) Pressurizzare a 0,5 MPa (5 kgf/cm²G), attendere cinque minuti ed accertarsi che la pressione non scenda.
 - 2) Pressurizzare a 1,5 MPa (15 kgf/cm²G), attendere cinque minuti ed accertarsi che la pressione non scenda.
 - 3) Pressurizzare a 4,15 MPa (41,5 kgf/cm²G), attendere cinque minuti e misurare la temperatura circostante e la pressione del refrigerante.
3. Se la pressione specificata viene mantenuta per circa un giorno senza diminuire, significa che i tubi hanno superato la prova e non ci sono perdite.
 - Se la temperatura circostante cambia di 1°C, la pressione tende a cambiare di circa 0,01 MPa (0,1 kgf/cm²G). Apportare le modifiche necessarie.
4. Un calo di pressione nelle fasi (2) o (3) indica una perdita di gas. Cercare le cause della perdita.

Estrazione e montaggio delle tubazioni e dei cablaggi (Fig. 3-11)

1. Collegamento dei cablaggi interni/esterni → Vedere a pag. 73.
2. Avvolgere il nastro di feltro ③ sui tratti del tubo del refrigerante e del tubo di drenaggio che rimarranno alloggiati nello spazio riservato alle tubazioni dell'unità interna.
 - Avvolgere saldamente il nastro di feltro ③ dalla base di ogni tubazione del refrigerante e del tubo di drenaggio.
 - A ogni giro, il nastro di feltro ③ deve sovrapporsi di metà della sua larghezza.
 - Fissare l'estremità dell'avvolgimento con nastro vinilico.
3. Verificare che il tubo di drenaggio non sia sollevato e che non vi sia contatto con la scatola dell'unità interna.
Non tirare con forza il tubo di drenaggio in modo da non estrarlo.

Tubazione posteriore, destra e inferiore (Fig. 3-12)

- 1) Verificare che il tubo di drenaggio non sia sollevato e che non vi sia contatto con la scatola dell'unità interna.
Disporre il tubo di drenaggio sul lato inferiore della tubazione e avvolgerlo con il nastro di feltro ③.
- 2) Avvolgere saldamente il nastro di feltro ③ partendo dalla base (a ogni giro, il nastro di feltro deve sovrapporsi di metà della sua larghezza).
 - Ⓐ Eseguire un taglio per la tubazione destra.
 - Ⓑ Eseguire un taglio per la tubazione inferiore.

Tubazione sinistra e posteriore sinistra (Fig. 3-13)

4. Sostituzione del tubo di drenaggio → Vedere 6. Installazione della tubazione di drenaggio
Ricollocare il tubo di drenaggio e il tappo di drenaggio della tubazione sinistra e destra. Se questi componenti non vengono installati o ricollocati, potrebbero verificarsi gocciolamenti.
 - Ⓒ Tappo di drenaggio
- 1) Verificare che il tubo di drenaggio non sia sollevato e che non vi sia contatto con la scatola dell'unità interna.
- 2) Avvolgere saldamente il nastro di feltro ③ partendo dalla base (a ogni giro, il nastro di feltro deve sovrapporsi di metà della sua larghezza).
- 3) Fissare il tratto finale del nastro di feltro ③ con nastro vinilico.
 - Ⓓ Eseguire un taglio per la tubazione sinistra.

3. Installazione della sezione interna

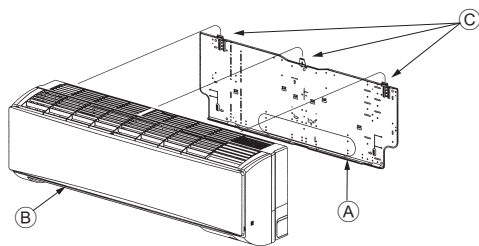


Fig. 3-14

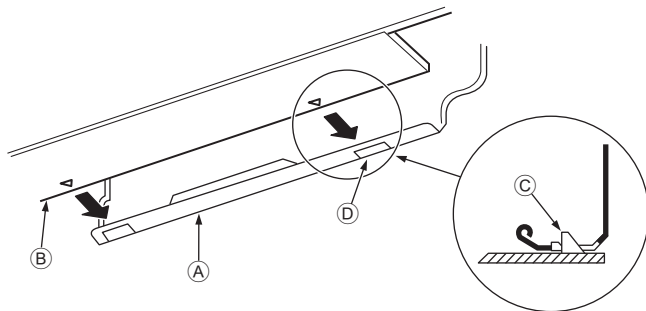


Fig. 3-15

■ PKFY-P-VKM-E

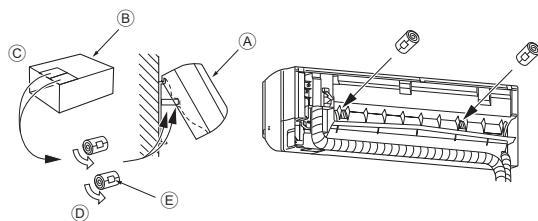


Fig. 3-16

3.5. Montaggio dell'unità interna

1. Fissare la piastra di montaggio ① alla parete.
2. Appendere l'unità interna al gancio sulla parte superiore della piastra di montaggio.

Tubazione posteriore, destra e inferiore (Fig. 3-14)

3. Inserendo il tubo del refrigerante e il tubo di drenaggio nel foro a muro (manicotto di penetrazione), appendere la parte superiore dell'unità interna alla piastra di montaggio ①.
 4. Muovere l'unità interna a destra e a sinistra e verificare che sia agganciata saldamente.
 5. Premere la parte inferiore dell'unità interna sulla piastra di montaggio ① e bloccarla in posizione. (Fig. 3-15)
- * Controllare che le maniglie sulla parte inferiore dell'unità interna siano agganciate saldamente alla piastra di montaggio ①.
6. Dopo l'installazione, verificare che l'unità interna sia in piano.

- ① Piastra di montaggio
- ② Unità interna
- ③ Gancio
- ④ Foro quadro

Tubazione sinistra e posteriore sinistra (Fig. 3-16)

3. Inserendo il tubo di drenaggio nel foro a muro (manicotto di penetrazione), agganciare la parte superiore dell'unità interna alla piastra di montaggio ①. Considerando lo spazio destinato alle tubazioni, spostare l'unità completamente a sinistra, quindi tagliare una parte del cartone di imballaggio e avvolgerlo a tubo, come illustrato in figura. Inserirlo nella cavità posteriore come distanziale e sollevare l'unità interna.
 4. Collegare la tubazione del refrigerante alla tubazione del refrigerante locale.
 5. Premere la parte inferiore dell'unità interna sulla piastra di montaggio ① e bloccarla in posizione.
- * Controllare che le maniglie sulla parte inferiore dell'unità interna siano agganciate saldamente alla piastra di montaggio ①.
6. Dopo l'installazione, verificare che l'unità interna sia in piano.

- ① Unità interna
- ② Cartone di imballaggio
- ③ Taglio
- ④ Avvolgere a tubo
- ⑤ Fissare con nastro

4. Installazione della tubazione del refrigerante

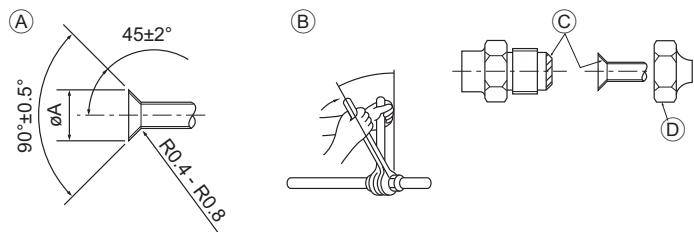


Fig. 4-1

Ⓐ Dimensioni di taglio per raccordo a cartella

O.D. del tubo di rame (mm)	Dimensioni cartella dimensioni $\varnothing A$ (mm)
$\varnothing 9,52$	12,8 - 13,2
$\varnothing 15,88$	19,3 - 19,7
$\varnothing 19,05$	22,9 - 23,3

Ⓑ Dimensioni del tubo del refrigerante e coppia di serraggio del dado a cartella

Ⓒ Non applicare olio per macchine refrigeranti alle filettature.

(Questa operazione favorisce l'allentamento dei dadi a cartella).

Ⓓ Utilizzare i dadi a cartella in dotazione con l'unità principale.

(L'uso di prodotti disponibili sul mercato può favorire la formazione di crepe)

	R410A				O.D. del dado a cartella	
	Tubo del liquido		Tubo del gas		Tubo del liquido (mm)	Tubo del gas (mm)
	Dimensioni tubo (mm)	Coppia di serraggio (N·m)	Dimensioni tubo (mm)	Coppia di serraggio (N·m)		
P63	OD $\varnothing 9,52$	34 - 42	OD $\varnothing 15,88$	68 - 82	22	29
P100	OD $\varnothing 9,52$	34 - 42	OD $\varnothing 15,88$	68 - 82	22	29

Ⓔ Applicare olio adatto alle macchine di refrigerazione sull'intera superficie di alloggiamento svasata.

■ PKFY-P-VKM-E

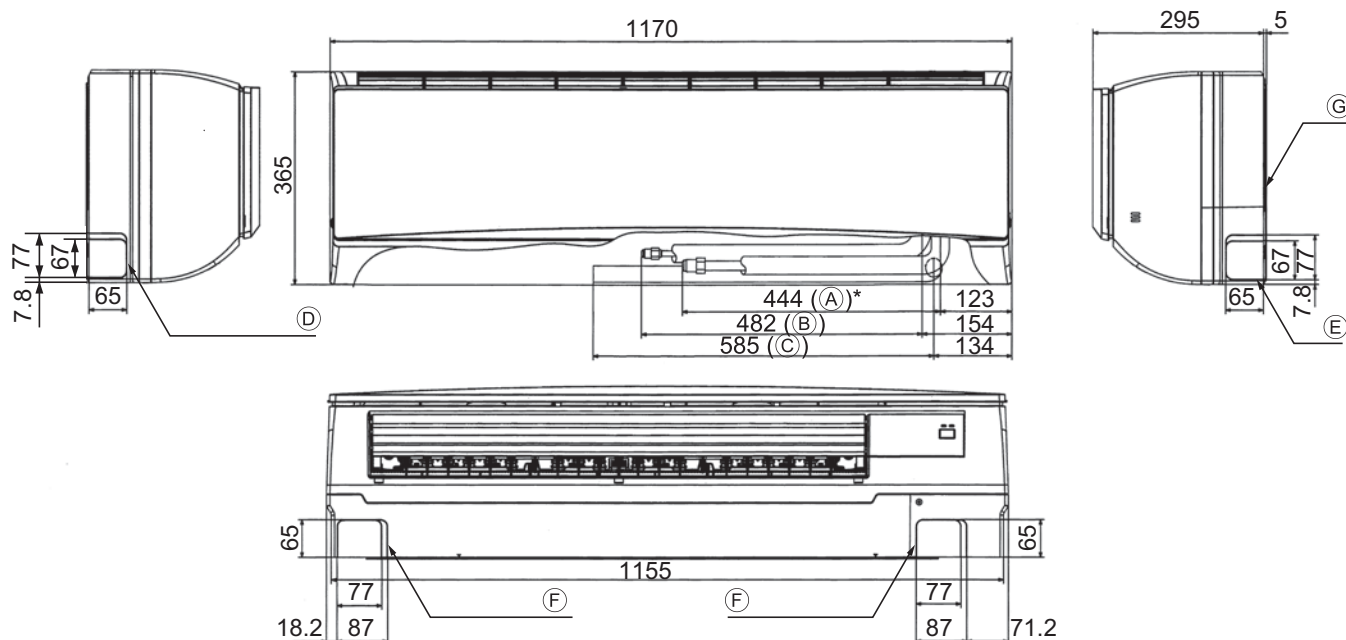


Fig. 4-2

4.1. Collegamento dei tubi (Fig. 4-1)

- Se vengono utilizzati dei tubi di rame disponibili in commercio, avvolgere del materiale di isolamento, disponibile in commercio, attorno ai tubi del liquido e del gas (resistente alla temperatura di 100 °C o superiore, spessore di almeno 12 mm).
- Le parti interne del tubo di drenaggio devono essere ricoperte di materiale di isolamento in schiuma di polietilene (gravità specifica di 0,03, spessore di almeno 9 mm).
- Stendere uno strato sottile di oliorefrigerante sul tubo e collegare la superficie di appoggio prima di serrare il dado a cartella.
- Serrare i raccordi dei tubi usando due chiavi.
- Isolare i raccordi dell'unità interna utilizzando il materiale isolante fornito per la tubazione del refrigerante. Effettuare l'operazione di isolamento con cura.

⚠ Avvertenza:

Al momento dell'installazione dell'unità, collegare saldamente i tubi del refrigerante prima di azionare il compressore.

4.2. Posizionamento delle tubazioni del refrigerante e di drenaggio (Fig. 4-2)

■ PKFY-P-VKM-E

- Ⓐ Tubo di trasporto gas * Con accessori installati.
- Ⓑ Tubo di trasporto liquido
- Ⓒ Tubo di drenaggio
- Ⓓ Foro di uscita tubazione sinistra
- Ⓔ Foro di uscita tubazione destra
- Ⓕ Foro di uscita tubazione inferiore
- Ⓖ Piastra di montaggio ①

4. Installazione della tubazione del refrigerante

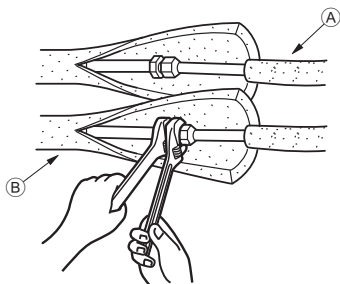


Fig. 4-3

■ PKFY-P-VKM-E

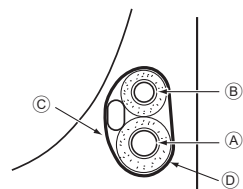


Fig. 4-4

4.3. Realizzazione della tubazione del refrigerante (Fig. 4-3)

Sezione interna

1. Rimuovere il dado a cartella ed il tappo della sezione interna.
2. Svasare il tubo del liquido ed il tubo del gas. Applicare quindi una piccola quantità di olio per macchina refrigerante (disponibile presso il proprio rivenditore locale) sulla superficie della sede di fissaggio.
3. Attaccare rapidamente i tubi di raffreddamento locali all'unità.
4. Fasciare il coperchio del tubo attaccato al tubo del gas ed accertarsi che il giunto di collegamento non sia visibile.
5. Fasciare il coperchio del tubo del liquido dell'unità ed accertarsi che questo ricopra il materiale isolante del tubo del liquido locale.
6. Il tratto di giunzione del materiale isolante deve essere sigillato con nastro.

Ⓐ Tubazione del refrigerante (locale)

Ⓑ Tubazione del refrigerante (unità)

4.3.1. Sistemazione nello spazio riservato alle tubazioni dell'unità (Fig. 4-4)

1. Per prevenire gocciolamenti, avvolgere il nastro di feltro in dotazione sul tratto del tubo del refrigerante che rimarrà alloggiato nello spazio riservato alle tubazioni dell'unità.
2. A ogni giro, il nastro di feltro deve sovrapporsi a metà della sua larghezza.
3. Fissare l'estremità dell'avvolgimento con nastro vinilico.

Ⓐ Tubo di trasporto gas

Ⓑ Tubo di trasporto liquido

Ⓒ Cavo di collegamento interno/esterno

Ⓓ Nastro di feltro ③

5. Installazione della tubazione di drenaggio

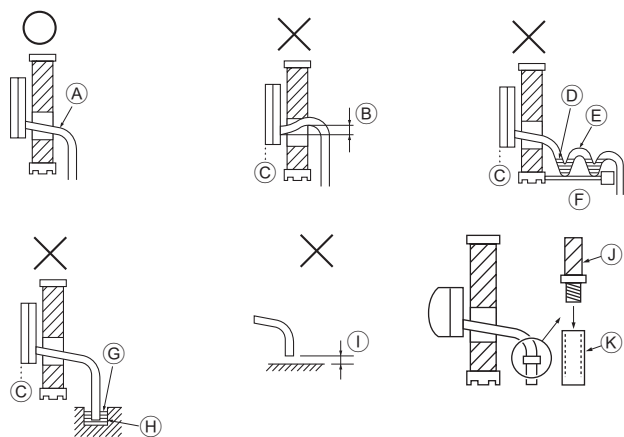


Fig. 5-1

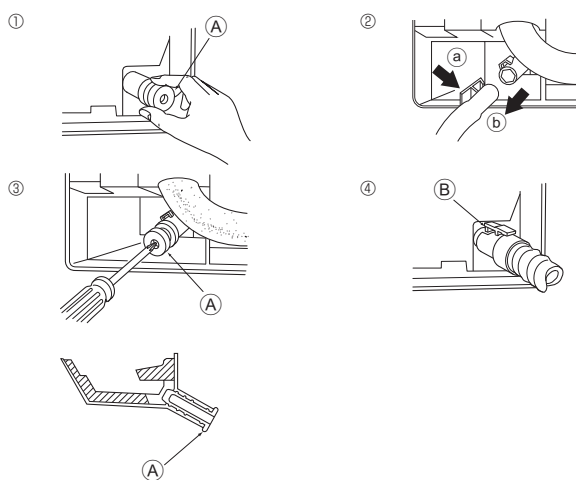


Fig. 5-2

■ PKFY-P-VKM-E

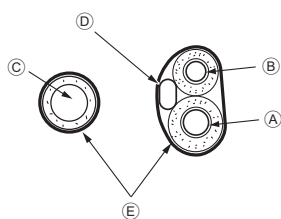


Fig. 5-3

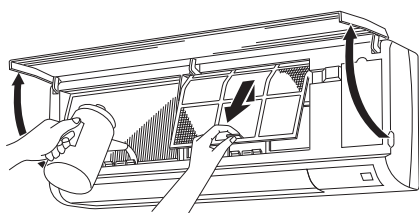


Fig. 5-4

5.1. Installazione della tubazione di drenaggio (Fig. 5-1)

- I tubi di drenaggio devono possedere un'inclinazione di almeno 1/100.
- Per prolungare il tubo di drenaggio, utilizzare un tubo flessibile (diametro interno 15 mm) disponibile in commercio oppure un tubo in cloruro di vinile rigido (VP-16/Tubo in PVC, O.D. ø22). Accertarsi che le connessioni non perdino.
- Non collegare la tubazione di drenaggio direttamente ad un canale di drenaggio in quanto vi può essere la formazione di gas solforico.
- Una volta completato il collegamento della tubazione, controllare lo scorrimento dell'acqua a partire dall'estremità della tubazione di drenaggio.

⚠ Cautela:

La tubazione di drenaggio deve essere installata conformemente al contenuto del presente Manuale di installazione, in modo da assicurare un drenaggio corretto. È necessario isolarla termicamente per evitare la formazione di condensa. Se i tubi di drenaggio non sono installati ed isolati correttamente, è possibile che vi sia la formazione di condensa sul soffitto, sul pavimento o su altri oggetti.

- Ⓐ Inclinato vero il basso
- Ⓑ Inferiore al punto di uscita
- Ⓒ Perdita d'acqua
- Ⓓ drenaggio a sifone
- Ⓔ Aria
- Ⓕ Ondulato
- Ⓖ Estremità del tubo di drenaggio immersa in acqua.
- Ⓗ Pozzetto di drenaggio
- Ⓘ Massimo 5 cm tra l'estremità del tubo di drenaggio e il suolo.
- ⓵ Tubo di drenaggio
- Ⓚ Tubo in PVC morbido (diametro interno 15 mm)
- Tubo in PVC rigido (VP-16)
- * Fissare con adesivo tipo PVC

Preparazione della tubazione sinistra e posteriore sinistra (Fig. 5-2)

- ① Rimuovere il coperchio di drenaggio.
- Rimuovere il coperchio di drenaggio tenendo ben ferma la parte che spunta dall'estremità del tubo e tirare.
 - Ⓐ Coperchio di drenaggio
- ② Rimuovere il tubo flessibile di drenaggio
- Rimuovere il tubo di drenaggio mantenendo ben ferma la base dello stesso ② (indicata da una freccia) e tirare verso di sé ②.
- ③ Inserire il coperchio di drenaggio.
- Inserire un cacciavite, o un oggetto simile, nel foro all'estremità del tubo ed accertarsi di spingere sino alla base del coperchio di drenaggio.
- ④ Inserire il tubo flessibile di drenaggio.
- Spingere il tubo flessibile di drenaggio sino a raggiungere la base dell'uscita del raccordo della scatola di drenaggio.
- Accertarsi che il gancio del tubo flessibile di drenaggio sia fissato correttamente sopra l'uscita del raccordo della scatola di drenaggio sporgente.
 - Ⓑ Gancio

◆ Sistemazione nello spazio riservato alle tubazioni dell'unità interna (Fig. 5-3)

- * Se il tubo di drenaggio deve essere posato internamente, avvolgerlo con un isolante disponibile sul mercato.
- * Raccogliere il tubo di drenaggio e la tubazione del refrigerante e avvolgerli con il nastro di feltro ③ in dotazione.
- * A ogni giro, il nastro di feltro ③ deve sovrapporsi di metà della sua larghezza.
- * Fissare l'estremità dell'avvolgimento con nastro vinilico.

- Ⓐ Tubo di trasporto gas
- Ⓑ Tubo di trasporto liquido
- Ⓒ Tubo di drenaggio
- Ⓓ Cablaggio di collegamento interno/esterno
- Ⓔ Nastro di feltro ③

◆ Controllo del drenaggio (Fig. 5-4)

1. Aprire le griglia anteriore e rimuovere il filtro.
2. Disponendosi frontalmente alle lamelle dello scambiatore di calore, riempire lentamente con acqua.
3. Dopo il controllo del drenaggio, collegare il filtro e chiudere la griglia.

6. Collegamenti elettrici

■ PKFY-P-VKM-E

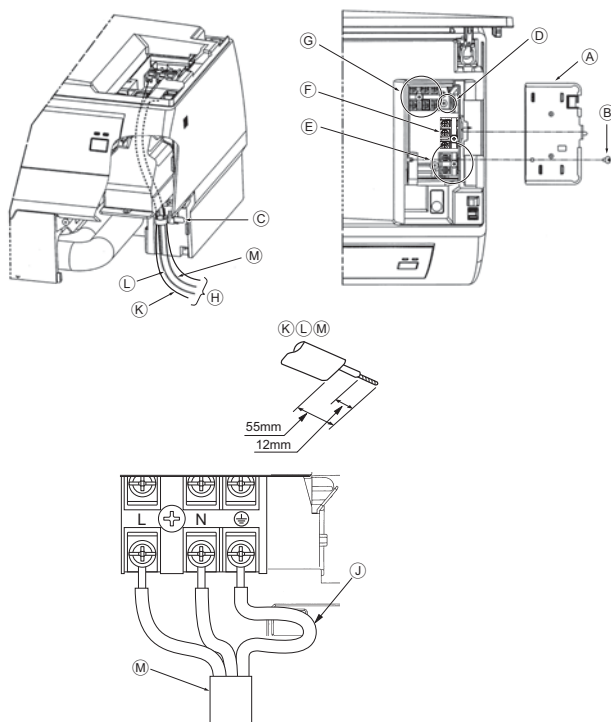


Fig. 6-1

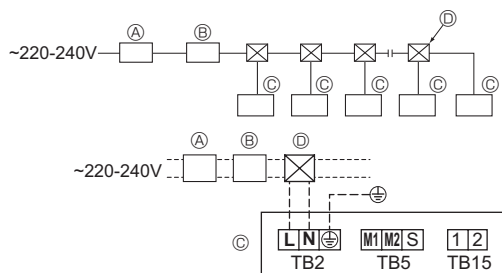


Fig. 6-2

6.1. Collegamenti elettrici

■ PKFY-P-VKM-E (Fig. 6-1)

Il collegamento può essere eseguito senza rimuovere il pannello anteriore.

1. Aprire le griglia anteriore, rimuovere la vite (1 pezzo) e rimuovere il coperchio dei componenti elettrici.
2. Collegare saldamente tutti i fili alla morsetteria.
 - * Considerando i futuri interventi, maggiorare la lunghezza dei fili.
 - * Se si utilizzano cavi intrecciati, prestare attenzione poiché eventuali sfilacciate possono causare cortocircuiti sul cablaggio.
3. Collocare le parti precedentemente rimosse nella posizione originale.
4. Fissare tutti i fili con la fascetta sotto la scatola dei componenti elettrici.

- Ⓐ Coperchio scatola elettrica
- Ⓑ Vite di fissaggio
- Ⓒ Fascetta serracavi
- Ⓓ Tratto di collegamento del filo di terra
- Ⓔ Morsetteria comando a distanza MA: (1,2) non hanno polarità
- Ⓕ Morsetteria trasmissione: (M1, M2, S) non hanno polarità
- Ⓖ Morsetteria alimentazione (L, N, Terra).
- Ⓗ Cavo
- Ⓙ Tratto di collegamento del filo di terra: collegare il filo di terra nella direzione illustrata in figura.
- Ⓚ Cavo comando a distanza
- Ⓛ Cavo trasmissione
- Ⓜ Cavo alimentazione

6.2. Cablaggio di alimentazione

- I collegamenti elettrici devono rispettare le pertinenti norme locali e nazionali.
- Il cavo di alimentazione dell'apparecchio non deve essere inferiore allo standard 245 IEC 53 o 227 IEC57, 245 IEC 53 o 227 IEC 53.
- Installare un cavo di messa a terra più lungo degli altri cavi.
- L'impianto del condizionatore deve essere dotato di interruttore con separazione dei contatti di almeno 3 mm (1/8 di pollice) per ogni polo.

[Fig.6-2]

- Ⓐ Interruttore differenziale
- Ⓑ Interruttore locale/Disgiuntore di rete
- Ⓒ Unità interna
- Ⓓ Scatola di derivazione

⚠ Avvertenza:

Non giuntare mai il cavo dell'alimentazione o il cavo di collegamento interno-esterno, diversamente ciò potrebbe essere causa di fumo, incendio o mancato collegamento.

6. Collegamenti elettrici

Corrente di esercizio totale dell'unità interna	Spessore minimo del filo (mm ²)			Interruttore differenziale *1	Interruttore locale (A)		Disgiuntore di rete (NFB)
	Cavo principale	Derivazione	Terra		Capacità	Fusibile	
F0 = massimo 16 A *2	1,5	1,5	1,5	Sensibilità di corrente 20 A *3	16	16	20
F0 = massimo 25 A *2	2,5	2,5	2,5	Sensibilità di corrente 30 A *3	25	25	30
F0 = massimo 32 A *2	4,0	4,0	4,0	Sensibilità di corrente 40 A *3	32	32	40

Per l'impedenza di sistema massima consentita attenersi alla norma IEC61000-3-3.

*1 L'interruttore differenziale deve supportare un circuito di inversione.

L'interruttore differenziale deve operare congiuntamente all'interruttore locale o al disgiuntore di rete.

*2 Scegliere il valore maggiore tra F1 e F2 come valore di F0.

F1 = Corrente di esercizio totale massima delle unità interne × 1,2

F2 = {V1 × (Quantità del tipo 1)/C} + {V1 × (Quantità del tipo 2)/C} + {V1 × (Quantità del tipo 3)/C} + {V1 × (Quantità di altri tipi)/C}

Unità interna	V1	V2
Tipo 1 PLFY-VBM, PMFY-VBM, PEFY-VMS, PFFY-VKM, PCFY-VKM, PKFY-VHM, PKFY-VKM, PLFY-VCM	18,6	2,4
Tipo 2 PEFY-VMA	38	1,6
Tipo 3 PEFY-VMHS	13,8	4,8
Altri tipi Altra unità interna	0	0

C : multiplo della corrente di intervento con un tempo di intervento di 0,01 s

Scegliere "C" dalle caratteristiche di intervento del disgiuntore.

<Esempio del calcolo di "F2">

*Condizione PEFY-VMS × 4 + PEFY-VMA × 1, C = 8 (fare riferimento al grafico di esempio a destra)

$$F2 = 18,6 \times 4/8 + 38 \times 1/8$$

$$= 14,05$$

→ Disgiuntore 16 A (corrente di intervento = 8 × 16 A a 0,01 s)

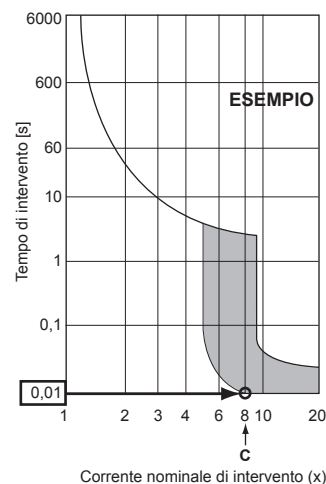
*3 La sensibilità di corrente è calcolata con la formula seguente.

$$G1 = V2 \times (\text{Quantità del tipo 1}) + V2 \times (\text{Quantità del tipo 2}) + V2 \times (\text{Quantità del tipo 3}) + V2 \times (\text{Quantità di altri tipi}) + V3 \times (\text{Lunghezza del filo [km]})$$

G1	Sensibilità di corrente
Massimo 30	Massimo 30 mA 0,1 sec
Massimo 100	Massimo 100 mA 0,1 sec

Spessore del filo	V3
1,5 mm ²	48
2,5 mm ²	56
4,0 mm ²	66

Grafico di esempio



6.3. Tipi di cavi di controllo

1. Cablaggio dei cavi di trasmissione

Tipo di cavo di trasmissione	Cavo schermato CVVS o CPEVS
Diametro del cavo	Più di 1,25 mm ²
Lunghezza	Meno di 200 m

2. Cavi comando a distanza M-NET

Tipi di cavi	Cavo schermato MVVS
Diametro cavo	Da 0,5 a 1,25 mm ²
Lunghezza	Se si superano i 10 m, prolungare il cavo di trasmissione entro una lunghezza massima di 200 m.

3. Cavi comando a distanza MA

Tipi di cavi	A 2 fili (non schermati)
Diametro cavo	Da 0,3 a 1,25 mm ²
Lunghezza	Meno di 200 m

6. Collegamenti elettrici

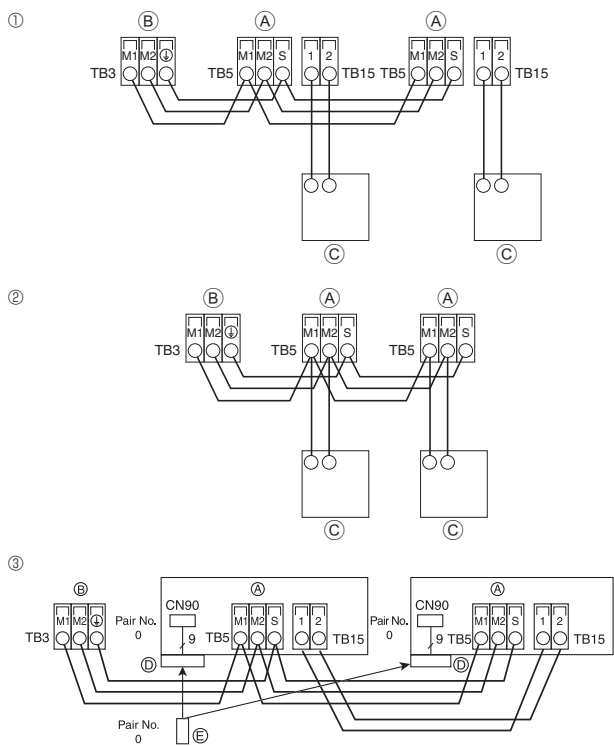


Fig. 6-3

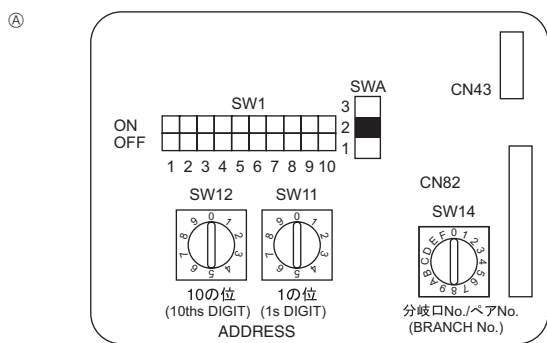


Fig. 6-4

6.4. Collegamento del comando a distanza e dei cavi di trasmissione delle sezioni interne ed esterne (Fig. 6-3)

- Collegare la sezione interna TB5 e la sezione esterna TB3. (2 fili non polarizzati). La sezione marcata "S" sulla sezione interna TB5 è una connessione protetta del cavo. Per le specifiche dei cavi di collegamento, fare riferimento al manuale d'installazione della sezione esterna.
- Installare il comando a distanza seguendo le istruzioni riprese nel manuale fornito con l'unità.
- Collegare il cavo di trasmissione del comando a distanza con un cavo avente una sezione di 0,75 mm² fino a 10 m. Qualora la distanza superi i 10 m, utilizzare un cavo di collegamento avente una sezione di 1,25 mm².

- ① Comando a distanza MA
 - Collegare i terminali "1" e "2" della sezione interna TB15 ad il mando a distanza MA, usando due fili non polarizzati.
 - DC 9 a 13 V tra 1 e 2 (Comando a distanza MA)
 - ② Comando a distanza in rete
 - Collegare i terminali "M1" e "M2" della sezione interna TB5 ad il mando a distanza in rete, usando due fili non polarizzati.
 - DC 24 a 30 V fra M1 e M2 (Comando a distanza in rete)
 - ③ Telecomando senza fili (se si installa il ricevitore del segnale wireless)
 - Collegare il filo del ricevitore del segnale wireless (cavo a 9 poli) al morsetto CN90 sulla scheda dell'unità di controllo interna.
 - Se più di due unità vengono comandate in gruppo con il telecomando senza fili, collegare la morsettiera TB15 di ognuna con lo stesso numero
 - Per cambiare l'impostazione Pair No., leggere il manuale di installazione in dotazione con il telecomando senza fili (come impostazione predefinita per l'unità interna e il telecomando senza fili, Pair No. è 0).
- A Morsettiera per il cavo di trasmissione interna
 B Morsettiera per il cavo di trasmissione esterna (M1(A), M2(B), S(S))
 C Telecomando
 D Ricevitore segnale wireless
 E Telecomando senza fili

6.5. Impostazione degli indirizzi (Fig. 6-4)

- (Accertarsi di operare con l'alimentazione principale disattivata.)
- È possibile impostare i commutatori a rotazione in due modi: impostazione degli indirizzi da 1 a 9 e sopra 10, e impostazione dei numeri delle diramazioni.

- ① Impostazione degli indirizzi
 - Esempio: se l'indirizzo è "3", lasciare SW12 (per indirizzi superiori a 10) su "0" e impostare SW11 (da 1 a 9) su "3".
 - ② SW14 - Impostazione dei numeri di diramazione (solo serie R2)
 - Far corrispondere il tubo del refrigerante dell'unità interna al numero di collegamento sul lato dell'unità di controllo BC.
 - Per tutti i modelli diversi dalla serie R2, lasciare su "0".
- Alla consegna, tutti gli interruttori rotanti sono impostati su "0". Questi interruttori possono essere utilizzati per impostare gli indirizzi delle unità e i numeri di diramazione.
 - Gli indirizzi delle unità interne variano in base al sistema locale. Per impostare gli indirizzi, consultare il manuale dati.

6.6. Rilevamento della temperatura ambiente con il sensore integrato del telecomando

Se si desidera rilevare la temperatura ambiente con il sensore integrato del telecomando, impostare SW1-1 sul pannello di comando su "ON". L'impostazione di SW1-7 e SW1-8 secondo necessità permette anche di regolare la portata d'aria quando il termometro di riscaldamento è disattivato.

6.7. Specifiche elettriche

Simboli: MCA: amperaggio max. del circuito (= 1,25 × FLA) FLA: assorbimento max.
 IFM: motore ventola unità interna Uscita: uscita nominale motore ventola

Modello	Alimentazione			IFM	
	Volt/Hz	Intervallo +/- 10%	MCA (A)	Uscita (kW)	FLA (A)
PKFY-P63VKM-E	220-240 V / 50 Hz	Max.: 264 V	0,36	0,056	0,29
PKFY-P100VKM-E	220 V / 60 Hz	Min.: 198 V	0,63	0,056	0,50

7. Prova di funzionamento

7.1. Operazioni preliminari alla prova di funzionamento

- ▶ Dopo aver completato l'installazione, i collegamenti elettrici e le tubazioni delle sezioni interne ed esterne, verificare l'assenza di perdite di refrigerante, allentamenti dei cavi di alimentazione o di comando, errori di polarità e scollegamenti di una fase dell'alimentazione elettrica.
- ▶ Controllare, mediante un megaohmmetro da 500 volt, se la resistenza fra i morsetti dell'alimentazione e la massa è di almeno 1,0 MΩ.

- ▶ Non eseguire questa prova sui morsetti del cablaggio di controllo (circuito a bassa tensione).

⚠ Avvertenza:

Non avviare il condizionatore d'aria se la resistenza dell'isolamento è inferiore a 1,0 MΩ.

Interfaccia dell'unità di controllo

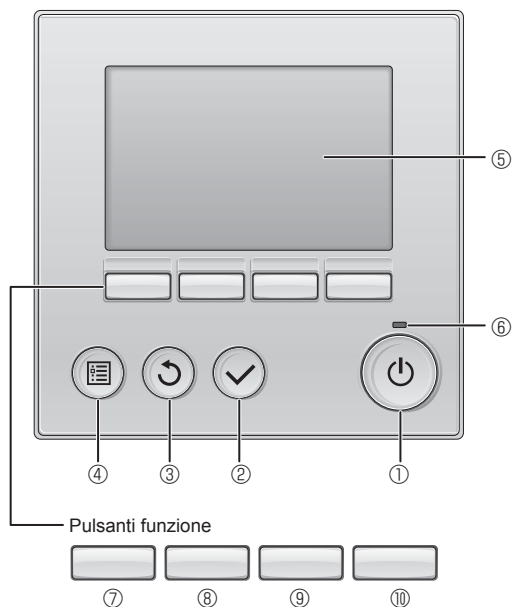


Fig. 7-1

7.2. Prova di funzionamento

Sono disponibili i 3 metodi seguenti.

7.2.1. Uso del comando a distanza con filo (Fig. 7-1)

① Pulsante [ON/OFF]

Premere per accendere/spegnere (ON/OFF) l'unità interna.

② Pulsante [SCEGLI]

Premere per salvare le impostazioni.

③ Pulsante [INDIETRO]

Premere per tornare alla schermata precedente.

④ Pulsante [MENU]

Premere per attivare il Menu principale.

⑤ LCD retroilluminato

Apparirà l'impostazione dell'operazione.

Quando la retroilluminazione è disattivata, premere un pulsante per attivarla: essa rimarrà in funzione per un certo periodo di tempo secondo la schermata.

Quando la retroilluminazione è disattivata, premendo un pulsante viene attivata e non esegue le sue funzioni (eccetto il pulsante [ON/OFF]).

⑥ Lampada ON/OFF

La luce verde si accende quando l'unità è in funzione. Essa lampeggia quando il comando remoto è in avviamento o se si è verificato un errore.

⑦ Pulsante funzione [F1]

Schermata principale: Premere per cambiare la modalità di funzionamento.

Menu principale: Premere per spostare il cursore in basso.

⑧ Pulsante funzione [F2]

Schermata principale: Premere per diminuire la temperatura.

Menu principale: Premere per spostare il cursore in alto.

⑨ Pulsante funzione [F3]

Schermata principale: Premere per diminuire la temperatura.

Menu principale: Premere per tornare alla pagina precedente.

⑩ Pulsante funzione [F4]

Schermata principale: Premere per cambiare la velocità del ventilatore.

Menu principale: Premere per andare alla pagina successiva.

Punto 1 Impostare il telecomando a distanza su "Test run" (Prova di funzionamento).

- Selezionare "Service" (Servizio) da Menu princ, quindi premere il pulsante
- Selezionando il Menu di Servizio, viene visualizzata una finestra che invita a digitare la password. (Fig. 7-2)
Per immettere la Password Tecnico corrente (4 cifre), spostare il cursore sulle cifre da modificare con il pulsante o , quindi immettere ciascuna cifra (da 0 a 9) con il pulsante o . Quindi, premere il pulsante .

Nota: La Password Tecnico predefinita è "9999". Modificare la password predefinita secondo necessità per prevenire accessi non autorizzati. Conservare la password per comunicarla ad altri utenti ove necessario.

Nota: Se la Password Tecnico viene dimenticata, è possibile riportarla al valore predefinito "9999" tenendo premuti i pulsanti e simultaneamente per tre secondi nella schermata di impostazione della password.

- Selezionare "Test run" (Prova di funzionamento) con il pulsante o , quindi premere il pulsante . (Fig. 7-3)
- Selezionare "Test run" (Prova di funzionamento) con il pulsante o , quindi premere il pulsante . (Fig. 7-4)

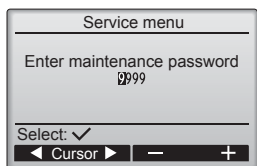


Fig. 7-2

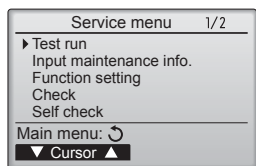


Fig. 7-3

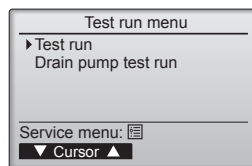


Fig. 7-4

7. Prova di funzionamento

Punto 2 Eseguire la prova di funzionamento e verificare la temperatura del flusso d'aria e il deflettore automatico.

- ① Premere il pulsante **F1** per visualizzare le modalità di funzionamento nell'ordine "Cool" (Raffred) e "Heat" (Riscald). (Fig. 7-5)
 Modalità raffreddamento: assicurarsi che venga emessa aria fredda.
 Modalità riscaldamento: assicurarsi che venga emessa aria calda.
 * Verificare il funzionamento del ventilatore dell'unità esterna.
- ② Premere il pulsante **✓** ed aprire la schermata di impostazione dei deflettori.

Verifica del deflettore AUTO

- ① Verificare il deflettore automatico con i pulsante **F1** **F2**. (Fig. 7-6)
- ② Premere il pulsante **↻** per tornare alla schermata "Test run" (Prova di funzionamento).
- ③ Premere il pulsante **⏻**.

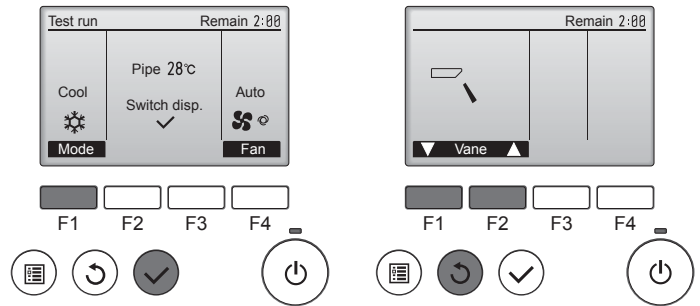


Fig. 7-5

Fig. 7-6

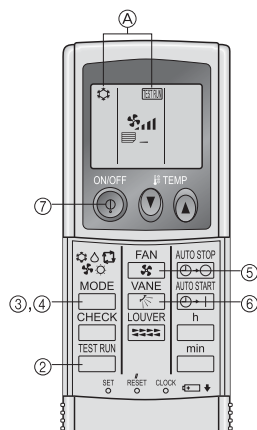


Fig. 7-7

7.2.2. Uso del comando a distanza senza filo (Fig. 7-7)

- ① Attivare l'alimentazione almeno 12 ore prima della prova di funzionamento.
- ② Premere due volte continuamente il pulsante **TEST RUN**.
 (Avviare questa operazione con il display del comando a distanza spento.)
 Ⓐ Vengono visualizzati l'indicatore **TEST RUN** ed il modo operativo in corso.
- ③ Premere il pulsante **MODE** (☼☼☼☼) per attivare il modo **COOL** e controllare poi se l'aria fredda viene soffiata dalla sezione interna.
- ④ Premere il pulsante **MODE** (☼☼☼☼) per attivare il modo **HEAT** (riscaldamento) e controllare se l'aria riscaldata viene soffiata dall'unità.
- ⑤ Premere il pulsante **FAN** e verificare se la velocità del ventilatore cambia.
- ⑥ Premere il tasto **VANE** e controllare se le alette automatiche si muovono correttamente.
- ⑦ Premere il pulsante di accensione/spengimento **ON/OFF** per arrestare la prova di funzionamento.

Nota:

- Rivolgere frontalmente il comando a distanza verso il ricevitore dell'unità interna mentre si eseguono le fasi da ② fino a ⑦ della procedura.
- Non è possibile che funzioni in modo **FAN** (ventilatore), **DRY** (deumidificazione) o **AUTO** (automatico).

Περιεχόμενα

1. Προφυλακτικά Μέτρα Ασφαλείας.....	80	5. Εργασίες Σωληνώσεων Αποχέτευσης.....	87
2. Χώρος εγκατάστασης	81	6. Ηλεκτρικές εργασίες	88
3. Εγκατάσταση της εσωτερικής μονάδας.....	81	7. Δοκιμαστική λειτουργία.....	91
4. Εγκατάσταση της σωληνώσης ψυκτικού υγρού	85		

Σημείωση:

Η φράση “Ενσύρματο τηλεχειριστήριο” σε αυτό το εγχειρίδιο λειτουργίας αναφέρεται στο PAR-32MAA.

Εάν χρειάζεστε πληροφορίες για άλλο τηλεχειριστήριο, ανατρέξτε στο εγχειρίδιο εγκατάστασης ή στο εγχειρίδιο αρχικών ρυθμίσεων που περιλαμβάνεται σε αυτά τα κουτιά.

1. Προφυλακτικά Μέτρα Ασφαλείας

- ▶ Πριν κάνετε την εγκατάσταση της μονάδας, βεβαιωθείτε ότι διαβάσατε όλα τα “Προφυλακτικά Μέτρα Ασφαλείας”.
- ▶ Προτού συνδέσετε τον εξοπλισμό στο δίκτυο ηλεκτρικής παροχής, ενημερώστε τον αρμόδιο ή πάρτε την έγκρισή του.

⚠ Προειδοποίηση:

Περιγράφει τα μέτρα ασφαλείας που πρέπει να λαμβάνονται για την πρόληψη του κινδύνου τραυματισμού ή και θανάτου του χρήστη.

⚠ Προσοχή:

Περιγράφει προφυλακτικά μέτρα που πρέπει να λαμβάνονται για ν’αποφεύγεται βλάβη στη μονάδα.

Αφού ολοκληρωθούν οι εργασίες για την εγκατάσταση, περιγράψτε στον πελάτη τα “Προφυλακτικά Μέτρα Ασφαλείας”, τη χρήση και τη συντήρηση της μονάδας σύμφωνα με τις πληροφορίες στο Εγχειρίδιο Λειτουργίας και εκτελέστε τη δοκιμαστική λειτουργία για να σιγουρευτείτε ότι η μονάδα λειτουργεί κανονικά. Το Εγχειρίδιο Εγκατάστασης και το Εγχειρίδιο Λειτουργίας πρέπει να δοθούν στο χρήστη για αναφορά. Τα εγχειρίδια αυτά πρέπει να δίνονται και στους επόμενους χρήστες της μονάδας.

⚠ Προειδοποίηση:

- Ζητήστε από έναν αντιπρόσωπο ή από έναν εξουσιοδοτημένο τεχνικό να κάνουν την εγκατάσταση του κλιματιστικού.
- Ο χρήστης δεν πρέπει ποτέ να επιχειρήσει να επισκευάσει τη μονάδα ή να τη μεταφέρει σε άλλη θέση.
- Εγκαταστήστε την μονάδα κλιματισμού σε μέρος που μπορεί να αντέξει το βάρος της.
- Χρησιμοποιείτε μόνο τα συνιστώμενα καλώδια για την καλωδίωση. Οι συνδέσεις της καλωδίωσης πρέπει να γίνονται σωστά χωρίς να ασκείται πίεση στις συνδέσεις των τερματικών. Επίσης, ποτέ μη συγκολλήσετε τα καλώδια για την καλωδίωση (εκτός αν αναφέρεται διαφορετικά σε αυτό το έγγραφο). Σε περίπτωση που δεν ακολουθήσετε αυτές τις οδηγίες μπορεί να προκληθεί υπερθέρμανση ή πυρκαγιά.
- Χρησιμοποιείτε μόνο ανταλλακτικά εγκεκριμένα από την Mitsubishi Electric και απευθυνθείτε στον αντιπρόσωπο ή σε έναν εξουσιοδοτημένο τεχνικό για την εγκατάστασή τους.
- Μην αγγίζετε τα πτερύγια εναλλαγής θερμότητας.
- Εγκαταστήστε το κλιματιστικό σύμφωνα με τον Οδηγό Εγκατάστασης.
- Οι ηλεκτρικές εργασίες πρέπει να γίνουν από εξειδικευμένο ηλεκτρολόγο σύμφωνα με τους τοπικούς κανονισμούς.
- Η συσκευή πρέπει να εγκατασταθεί σύμφωνα με τους εθνικούς κανονισμούς περί καλωδίωσης.

⚠ Προσοχή:

- Μη χρησιμοποιείτε τους παλιούς σωλήνες όταν χρησιμοποιείτε ψυκτικό υγρό R410A.
- Χρησιμοποιήστε λάδι εστέρα, λάδι ή αλκυλοβενζόλιο (μικρή ποσότητα) για να επικαλυψετε τις κωνικές άκρες των σωληνών και τις συνδέσεις με φλάντζα, όταν χρησιμοποιείτε το ψυκτικό R410A.
- Μην χρησιμοποιείτε το κλιματιστικό σε μέρη όπου φυλάσσονται τρόφιμα, κατοικίδια ζώα, φυτά, όργανα ακριβείας ή έργα τέχνης.
- Μη χρησιμοποιείτε το κλιματιστικό σε ειδικό περιβάλλον.
- Γειώστε την μονάδα.
- Εγκαταστήστε έναν διακόπτη κυκλώματος διαρροής, όπως απαιτείται.

⚡ : Δείχνει ενέργεια που πρέπει ν’αποφεύγεται.

⚠ : Δείχνει ότι πρέπει ν’ακολουθούνται οδηγίες σημαντικού περιεχομένου.

⚠ : Δείχνει μέρος της συσκευής που πρέπει να γειώνεται.

⚠ : Σημαίνει ότι πρέπει να προσέχετε τα μέρη που περιστρέφονται.

⚠ : Δείχνει ότι ο κεντρικός διακόπτης πρέπει να κλείσει πριν από τη συντήρηση.

⚡ : Κίνδυνος ηλεκτροπληξίας.

⚠ : Κίνδυνος λόγω καυτής επιφάνειας.

⚠ ELY : Κατά τη συντήρηση παρακαλούμε να κλείνετε το διακόπτη τροφοδοσίας τόσο της εσωτερικής όσο και της εξωτερικής μονάδας.

⚠ Προειδοποίηση:

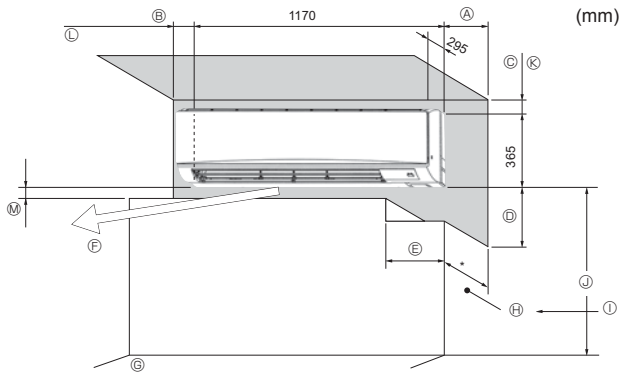
Διαβάστε προσεκτικά τις ετικέτες που είναι κολλημένες πάνω στην κύρια μονάδα.

- Εάν το καλώδιο τροφοδοσίας έχει υποστεί ζημιά, πρέπει να αντικατασταθεί από τον κατασκευαστή, τον αντιπρόσωπο σέρβις ή παρόμοιο καταρτισμένο τεχνικό για να αποφευχθεί ενδεχόμενος κίνδυνος.
- Εάν το κλιματιστικό εγκατασταθεί σε μικρό χώρο, πρέπει να γίνονται ειδικές μετρήσεις ώστε να παρεμποδίζεται η υπέρβαση των ορίων ασφαλείας η συμπύκνωση του ψυκτικού ακόμη και αν υπάρξει διαρροή του.
- Τα διάτρητα μέρη με κομμένη επιφάνεια μπορεί να προκαλέσουν τραυματισμό, κοψίματα κτλ. Οι υπεύθυνοι για την εγκατάσταση πρέπει να διαθέτουν προστατευτικό εξοπλισμό, όπως γάντια κτλ.
- Κατά την εγκατάσταση ή τη μετακίνηση του κλιματιστικού, χρησιμοποιείτε μονό το συνιστώμενο ψυκτικό (R410A) για την πλήρωση των γραμμών ψυκτικού. Μην το αναμιγνύετε με άλλο ψυκτικό μέσο και μην αφήνετε τον αέρα να παραμένει μέσα στις γραμμές. Εάν αναμιχθεί αέρας με το ψυκτικό, ενδέχεται να προκαλέσει ασυνήθιστα υψηλή πίεση στη γραμμή ψυκτικού, με ενδεχόμενο έκρηξης και άλλους κινδύνους. Η χρήση ψυκτικού διαφορετικού από αυτό που καθορίζεται για το σύστημα θα προκαλέσει μηχανική βλάβη ή δυσλειτουργία του συστήματος ή ζημιά στο σύστημα. Στη χειρότερη περίπτωση, μια τέτοια ενέργεια ενδέχεται να υπονομεύσει την ασφάλεια του προϊόντος.

- Χρησιμοποιείτε καλωδιακές γραμμές τροφοδοσίας επαρκούς χωρητικότητας και διαβάθμισης.
- Χρησιμοποιήστε μόνον διακόπτη κυκλώματος και ασφάλεια της χωρητικότητας που προδιαγράφεται.
- Μην αγγίζετε τους διακόπτες με βρεγμένα χέρια.
- Μην αγγίζετε τις ψυκτικές σωληνώσεις κατά την διάρκεια και αμέσως μετά την λειτουργία.
- Μην βάζετε σε λειτουργία το κλιματιστικό χωρίς να είναι τοποθετημένα τα πλαίσια και τα ασφάλιστρα.
- Μην κλείνετε τον διακόπτη τροφοδοσίας αμέσως μετά την διακοπή λειτουργίας.

2. Χώρος εγκατάστασης

■ PKFY-P-VKM-E



Εικ. 2-1

2.1. Εξωτερικές διαστάσεις (Εσωτερική μονάδα) (Εικ. 2-1)

Επιλέξτε την κατάλληλη θέση αφήνοντας τα ακόλουθα διάκενα για διευκόλυνση της τοποθέτησης και των εργασιών συντήρησης.

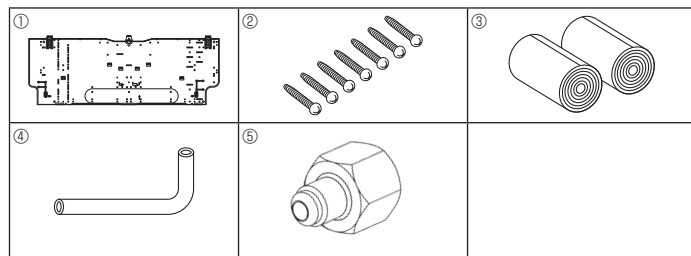
■ PKFY-P-VKM-E

(mm)

A	B	C	D	E
Τουλάχιστον 100,5	Τουλάχιστον 52,3	Τουλάχιστον 48	Τουλάχιστον 250	Τουλάχιστον 220

- Ⓐ Στόμιο εξαγωγής αέρα: Μην τοποθετείτε κανένα αντικείμενο σε απόσταση τουλάχιστον 1500 mm από το στόμιο εξαγωγής αέρα.
- Ⓑ Επιφάνεια δαπέδου
- Ⓒ Έπιπλα
- Ⓛ Όταν υπάρχει κουρτινόβεργα ή άλλο σύστημα στήριξης κουρτίνας που εξέρχεται από τον τοίχο κατά 60 mm, η απόσταση πρέπει να είναι μεγαλύτερη επειδή μπορεί να παρεμποδίζεται η κυκλοφορία του αέρα.
- Ⓜ Απόσταση 1800 mm ή μεγαλύτερη από την επιφάνεια του δαπέδου (για ανάρτηση σε ψηλό σημείο)
- Ⓝ Απόσταση 108 mm ή μεγαλύτερη με την εγκατάσταση του αριστερού ή πίσω αριστερού σωλήνα και του προαιρετικού μηχανισμού αποστράγγισης
- Ⓞ Απόσταση 550 mm ή μεγαλύτερη με την εγκατάσταση του προαιρετικού μηχανισμού αποστράγγισης
- Ⓜ Τουλάχιστον 7 mm: Απόσταση 265 mm ή μεγαλύτερη με την εγκατάσταση της προαιρετικής αντλίας αποστράγγισης

3. Εγκατάσταση της εσωτερικής μονάδας



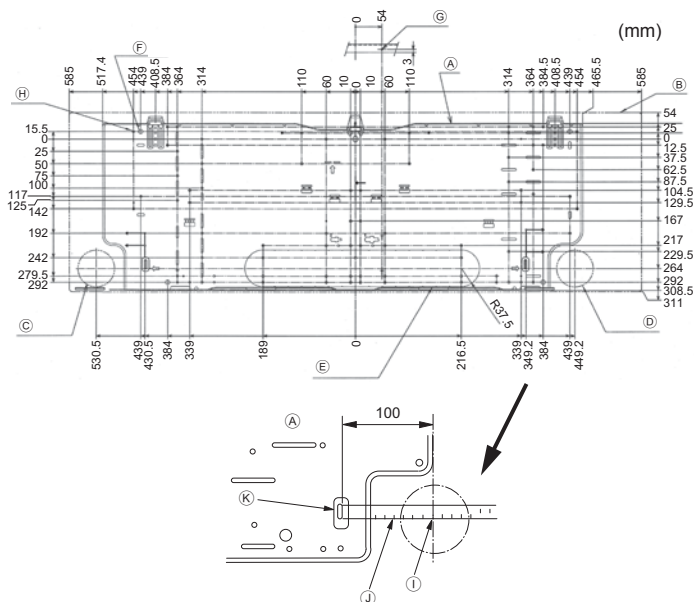
Εικ. 3-1

3.1. Ελέγξτε τα εξαρτήματα της εσωτερικής μονάδας (Εικ. 3-1)

Η εσωτερική μονάδα πρέπει να προμηθευτεί με τα παρακάτω εξαρτήματα.

ΑΡΙΘΜΟΣ ΕΞΑΡΤΗΜΑΤΟΣ	ΕΞΑΡΤΗΜΑ	ΠΟΣΟΤΗΤΑ		ΘΕΣΗ ΤΟΠΟΘΕΤΗΣΗΣ
		P63	P100	
①	Πλάκα ανάρτησης	1	1	Τοποθέτηση στο πίσω μέρος της μονάδας
②	Λαμαρινόβιδες 4 × 25	7	7	
③	Ταινία συνθετικής τσόχας	2	2	
④	Γωνία σύνδεσης σωλήνων	1	1	
⑤	Περικόχλιο πλήρωσης	1	1	

■ PKFY-P-VKM-E



Εικ. 3-2

3.2. Εγκατάσταση του εξαρτήματος της βάσης στήριξης

3.2.1. Καθορισμός των θέσεων για τη βάση και για τις σωληνώσεις

▶ Χρησιμοποιώντας το εξάρτημα της βάσης στήριξης της μονάδας, καθορίστε τη θέση εγκατάστασης της μονάδας και τις θέσεις που πρέπει ν'ανοιχτούν οι τρύπες για τη σωληνώση.

⚠ Προειδοποίηση:

Πριν αρχίσετε ν'ανοίγετε τρύπες στους τοίχους πρέπει να συμβουλευτείτε τον εργολάβο του κτιρίου.

■ PKFY-P-VKM-E (Εικ. 3-2)

- Ⓐ Πλάκα ανάρτησης ①
- Ⓑ Εσωτερική μονάδα
- Ⓒ Κάτω αριστερή οπή σωλήνα στην πίσω πλευρά (φ75-φ80)
- Ⓓ Κάτω δεξιά οπή σωλήνα στην πίσω πλευρά (φ75-φ80)
- Ⓔ Έτοιμη οπή υποδοχής αριστερού σωλήνα στην πίσω πλευρά (75 × 480)
- Ⓕ Οπή μπουλονιού (4-φ9)
- Ⓖ Οπή κεντραρίσματος (φ2,5)
- Ⓗ Οπή κοχλιοτόμησης (75-φ5,1)
- Ⓛ Κεντρική οπή
- Ⓜ Ευθυγράμμιση της κλίμακας με τη γραμμή.
- Ⓝ Εισαγωγή της κλίμακας.

3.2.2. Άνοιγμα οπής για τη σωληνώση (Εικ. 3-3)

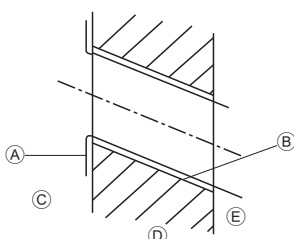
▶ Χρησιμοποιήστε ένα σωληνωτό τρυπάνι για να ανοίξετε στον τοίχο οπή διαμέτρου 75-80 mm, προς την κατεύθυνση της σωληνώσεως, στη θέση που φαίνεται στο διάγραμμα στα αριστερά.

▶ Το άνοιγμα στον τοίχο πρέπει να έχει κλίση προς τα κάτω, έτσι ώστε το άνοιγμα του τοίχου στην εξωτερική πλευρά να είναι χαμηλότερα από το άνοιγμα στην εσωτερική πλευρά.

▶ Βάλτε μέσα στην οπή ένα χιτώνιο (διαμέτρου 75 mm., αγοράζεται τοπικά)

Σημείωση:

Η κλίση του ανοίγματος για τη σωληνώση έχει σκοπό τη διευκόλυνση της ροής αποχέτευσης.

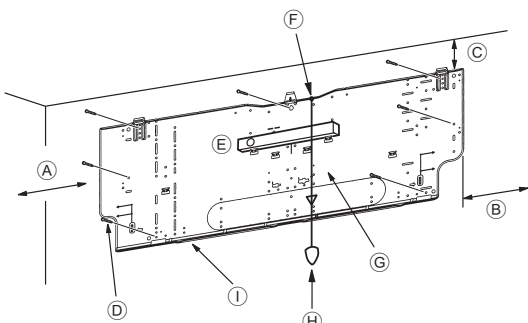


Εικ. 3-3

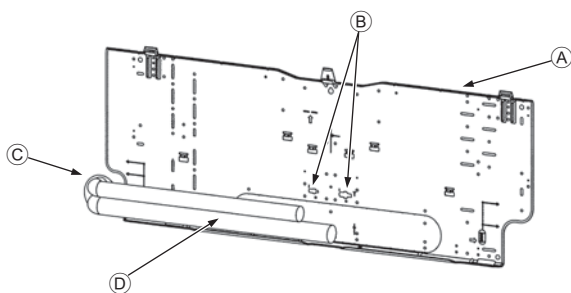
- Ⓐ Χιτώνιο σύνδεσης
- Ⓑ Οπή
- Ⓒ (Εσωτερική πλευρά)
- Ⓓ Τοίχος
- Ⓔ (Εξωτερική πλευρά)

3. Εγκατάσταση της εσωτερικής μονάδας

■ PKFY-P-VKM-E

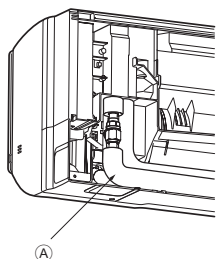


Εικ. 3-4

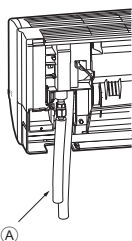


Εικ. 3-5

■ PKFY-P-VKM-E



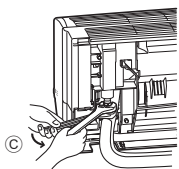
Εικ. 3-6



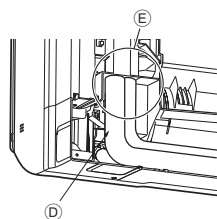
Εικ. 3-7



Εικ. 3-8



Εικ. 3-9



Εικ. 3-10

3.2.3. Τοποθέτηση της βάσης στήριξης της μονάδας για εγκατάσταση σε τοίχο

- Επειδή η εσωτερική μονάδα ζυγίζει περίπου 22 κιλά, πρέπει να δοθεί ιδιαίτερη προσοχή στην επιλογή του σημείου τοποθέτησης. Εάν φαίνεται ότι ο τοίχος δεν είναι αρκετά ανθεκτικός για τη συγκράτηση της μονάδας, πρέπει να τον ενισχύσετε με σανιδωπλάκες ή ράγες πριν από την εγκατάσταση.
- Το εξάρτημα της βάσης για τη στήριξη της μονάδας πρέπει να στερεώνεται στα δύο άκρα όσο και στο κέντρο. Ποτέ μη το στερεώνεται σε ένα μόνο σημείο ή με ασύμμετρο τρόπο.
(Εάν είναι δυνατό, στερεώστε το εξάρτημα σε όλες τις θέσεις που δείχνονται με τα έντονα βέλη.)

⚠ Προειδοποίηση:

Εάν είναι δυνατό, στερεώστε τη βάση σε όλες τις θέσεις που είναι μαρκαρισμένες με ένα έντονο βέλος.

⚠ Προσοχή:

- Ο κορμός της μονάδας πρέπει να είναι οριζοντιωμένος.
- Σφίξτε στις οπές που είναι σημαδεμένες με ▲ όπως δείχνουν τα βέλη.

■ PKFY-P-VKM-E (Εικ. 3-4)

- Ⓐ Απόσταση τουλάχιστον 120 mm (617,6 mm ή μεγαλύτερη με την εγκατάσταση της προαιρετικής αντλίας αποστράγγισης)
- Ⓑ Τουλάχιστον 220 mm
- Ⓒ Απόσταση τουλάχιστον 70 mm (130 mm ή μεγαλύτερη με την εγκατάσταση του αριστερού, του πίσω αριστερού ή του κάτω αριστερού σωλήνα και της προαιρετικής αντλίας αποστράγγισης)
- Ⓓ Βίδες στερέωσης (4 × 25) Ⓜ
- Ⓔ Αλφάδι
- Ⓕ Δέστε ένα νήμα στην οπή.
- Ⓖ Τοποθετήστε το αλφάδι στον οριζόντιο άξονα αναφοράς της πλάκας ανάρτησης και στερεώστε την πλάκα σε ευθεία θέση. Τοποθετήστε ένα βαριδίον στην άκρη του νήματος ▽ και ευθυγραμμίστε την πλάκα ανάρτησης.
- Ⓗ Βαριδίον
- Ⓛ Πλάκα ανάρτησης ①

3.3. Κατά την τοποθέτηση εντοιχισμένων σωλήνων στον τοίχο (Εικ. 3-5)

- Οι σωλήνες βρίσκονται στην κάτω αριστερή πλευρά της μονάδας.
- Όταν ο σωλήνας ψυκτικού, οι σωλήνες αποστράγγισης, οι εξωτερικές/εσωτερικές γραμμές σύνδεσης κτλ. πρέπει να εντοιχιστούν εκ των προτέρων, ίσως πρέπει να λυγίσετε τους σωλήνες και τα υπόλοιπα μέρη που προεξέχουν και να προσαρμόσετε το μήκος τους στο μέγεθος της μονάδας.
- Χρησιμοποιήστε τις ενδείξεις στην πλάκα ανάρτησης ως σημείο αναφοράς κατά την προσαρμογή του μήκους του εντοιχισμένου σωλήνα ψυκτικού.
- Κατά την τοποθέτηση, αφήστε ένα περιθώριο στο μήκος των σωλήνων που προεξέχουν.
 - Ⓐ Πλάκα ανάρτησης ①
 - Ⓑ Ένδειξη αναφοράς για τη σύνδεση εκχείλωσης
 - Ⓒ Μέσω οπής
 - Ⓓ Σωληνώσεις επιπέδου εγκατάστασης

3.4. Προετοιμασία της εσωτερικής μονάδας

- * Ελέγξτε εκ των προτέρων τις προπαρασκευαστικές εργασίες που πρέπει να εκτελέσετε καθώς διαφέρουν ανάλογα με την κατεύθυνση εξόδου των σωληνώσεων.
- * Όταν κάμπτετε τους σωλήνες, πραγματοποιήστε το σταδιακά και κρατώντας σταθερά τη βάση στο τμήμα του σωλήνα που εξέχει. (Μην κάμπτετε τους σωλήνες απότομα καθώς μπορεί να αλλοιώσετε το σχήμα τους.)

■ PKFY-P-VKM-E

Τοποθέτηση της γωνίας σύνδεσης σωλήνων ④

Σωληνώσεις στη δεξιά, αριστερή και πίσω πλευρά (Εικ. 3-6)

1. Αφαιρέστε το περικόχλιο και το καπάκι εκχείλωσης της εσωτερικής μονάδας. (Σωλήνας αερίου μόνο)
2. Αλείψτε με ψυκτικό λάδι ολόκληρη την επιφάνεια του ελάσματος εκχείλωσης. (Προετοιμασία στη θέση εγκατάστασης)
3. Συνδέστε τη γωνία σύνδεσης σωλήνων ④ προς την κατεύθυνση που θα αφαιρεθεί στο άνοιγμα της σύνδεσης εκχείλωσης στην εσωτερική μονάδα.
4. Σφίξτε το περικόχλιο εκχείλωσης χρησιμοποιώντας ένα κλειδί. (Εικ. 3-9)
Ροπή σύσφιξης: 68 έως 82 N·m
5. Τοποθετήστε το περικόχλιο εκχείλωσης ⑤ στο πλαϊνό τμήμα σύνδεσης του σωλήνα υγρού και ελέγξτε για τυχόν διαρροή στο τμήμα σύνδεσης της γωνίας σωλήνων ④. Αφαιρέστε το περικόχλιο εκχείλωσης ⑤ όταν ολοκληρώσετε την εργασία.
Ροπή σύσφιξης: 34 έως 42 N·m
6. Καλύψτε το τμήμα της σύνδεσης εκχείλωσης με το κάλυμμα του σωλήνα της γωνίας σύνδεσης σωλήνων ④ ώστε να μην είναι εκτεθειμένο. (Εικ. 3-10)
 - Ⓐ Γωνία σύνδεσης σωλήνων ④
 - Ⓑ Θέση υποδοχής (ευθύ τμήμα σωλήνα)
 - Ⓒ Κατεύθυνση σύσφιξης
 - Ⓓ Καλύψτε με το κάλυμμα του σωλήνα
 - Ⓔ Καλύψτε το τμήμα σύνδεσης του περικόχλιου εκχείλωσης με το κάλυμμα του σωλήνα.

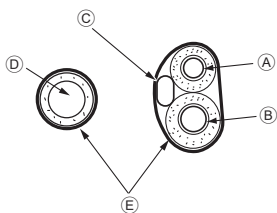
Σωληνώσεις στο κάτω τμήμα (Εικ. 3-7)

1. Κόψτε το τμήμα της γωνίας σύνδεσης σωλήνων ④ όπως φαίνεται στην εικόνα 3-8.
2. Τοποθετήστε το περικόχλιο εκχείλωσης που είχατε αφαιρέσει προηγουμένως απευθείας στο τμήμα περικοπής της γωνίας σύνδεσης σωλήνων ④ και στη συνέχεια εκχειλώστε το άκρο του σωλήνα.
3. Αφαιρέστε το περικόχλιο και το καπάκι εκχείλωσης της εσωτερικής μονάδας. (Σωλήνας αερίου μόνο)
4. Αλείψτε με ψυκτικό λάδι ολόκληρη την επιφάνεια του φύλλου εκχείλωσης. (Προετοιμασία στη θέση εγκατάστασης)
5. Συνδέστε τη γωνία σύνδεσης σωλήνων ④ την οποία έχετε διαμορφώσει όπως περιγράφεται στην παράγραφο 2) στο άνοιγμα της σύνδεσης εκχείλωσης της εσωτερικής μονάδας.
6. Σφίξτε το περικόχλιο εκχείλωσης χρησιμοποιώντας ένα κλειδί. (Εικ. 3-9)
Ροπή σύσφιξης: 68 έως 82 N·m
7. Τοποθετήστε το περικόχλιο εκχείλωσης ⑤ στο πλαϊνό τμήμα σύνδεσης του σωλήνα υγρού και ελέγξτε για τυχόν διαρροή στο τμήμα σύνδεσης της γωνίας σωλήνων ④. Αφαιρέστε το περικόχλιο εκχείλωσης ⑤ όταν ολοκληρώσετε την εργασία.
Ροπή σύσφιξης: 34 έως 42 N·m
8. Καλύψτε το τμήμα της σύνδεσης εκχείλωσης με το κάλυμμα του σωλήνα της γωνίας σύνδεσης σωλήνων ④ ώστε να μην είναι εκτεθειμένο. (Εικ. 3-10)

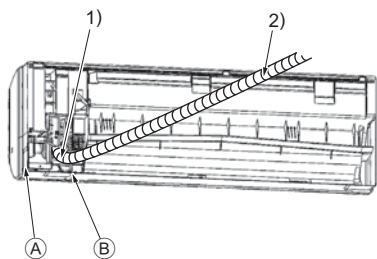
3. Εγκατάσταση της εσωτερικής μονάδας

Έλεγχος για διαρροή στο τμήμα σύνδεσης της γωνίας σωλήνων

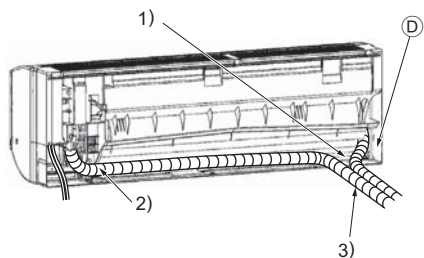
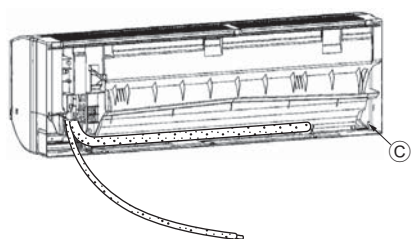
1. Τοποθετήστε το περικόχλιο πλήρωσης ⑤ στο σημείο σύνδεσης του σωλήνα υγρού.
Ροπή σύσφιξης: 34 έως 42 N·m
2. Αυξήστε την πίεση πληρώνοντας με αέριο άζωτο από το περικόχλιο πλήρωσης. Μην αυξάνετε την πίεση μέχρι την τρέχουσα σταθερή απότομα. Αυξήστε την πίεση σταδιακά.
 - 1) Αυξήστε την πίεση μέχρι 0,5 MPa (5 kgf/cm²G), περιμένετε πέντε λεπτά και βεβαιωθείτε ότι η πίεση δεν μειώνεται.
 - 2) Αυξήστε την πίεση σε 1,5 MPa (15 kgf/cm²G), περιμένετε πέντε λεπτά και βεβαιωθείτε ότι η πίεση δεν μειώνεται.
 - 3) Αυξήστε την πίεση σε 4,15 MPa (41,5 kgf/cm²G) και μετρήστε τη θερμοκρασία περιβάλλοντος και την πίεση του ψυκτικού.
3. Αν η συγκεκριμένη πίεση διατηρείται σταθερή για μία περίπου ημέρα και δεν πέφτει, οι σωλήνες έχουν περάσει με επιτυχία τον έλεγχο αεροστεγανότητας και δεν υπάρχουν διαρροές.
 - Αν η θερμοκρασία περιβάλλοντος μεταβληθεί κατά 1°C, η πίεση θα μεταβληθεί επίσης κατά 0,01 MPa (0,1 kgf/cm²G). Κάντε τις απαραίτητες διορθώσεις.
4. Αν η πίεση μειωθεί στα βήματα (2) ή (3), τότε υπάρχει διαρροή αερίου. Αναζητήστε την αιτία της διαρροής.



Εικ. 3-11



Εικ. 3-12



Εικ. 3-13

Προετοιμασία των σωληνώσεων και καλωδιώσεων (Εικ. 3-11)

1. Σύνδεση καλωδιώσεων εσωτερικής/εξωτερικής μονάδας = Ανατρέξτε στη σελ. 86.
 2. Τυλίξτε με την ταινία συνθετικής τσόχας ③ τις σωληνώσεις ψυκτικού και τον σωλήνα αποστράγγισης που θα τοποθετηθούν στο χώρο σωληνώσεων της εσωτερικής μονάδας.
 - Τυλίξτε την ταινία ③ σταθερά ξεκινώντας από τη βάση των σωληνώσεων ψυκτικού και του σωλήνα αποστράγγισης.
 - Μην αφήνετε κενά, τυλίξτε την ταινία ③ φροντίζοντας κάθε φορά να καλύπτεται μέχρι το μέσο του πλάτους της.
 - Στερεώστε το άκρο της ταινίας χρησιμοποιώντας ταινία βινυλίου.
- Ⓐ Σωλήνας υγρού
 Ⓑ Σωλήνας αερίου
 Ⓒ Καλώδιο σύνδεσης εσωτερικής/εξωτερικής μονάδας
 Ⓓ Σωλήνας αποστράγγισης
 Ⓔ Ταινία συνθετικής τσόχας ③
3. Φροντίστε ο σωλήνας αποστράγγισης να μην είναι υπερυψωμένος και να μην έρχεται σε επαφή με το σώμα της εσωτερικής μονάδας. Μην τραβάτε τον σωλήνα αποστράγγισης με υπερβολική δύναμη γιατί μπορεί να βγει από τη θέση του.

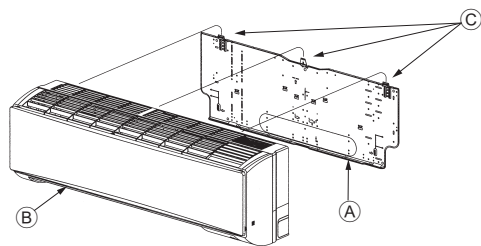
Σωληνώσεις στην πίσω, δεξιά και κάτω πλευρά (Εικ. 3-12)

- 1) Φροντίστε ο σωλήνας αποστράγγισης να μην είναι υπερυψωμένος και να μην έρχεται σε επαφή με το σώμα της εσωτερικής μονάδας. Τοποθετήστε τον σωλήνα αποστράγγισης κάτω από τις υπόλοιπες σωληνώσεις και τυλίξτε τον με την ταινία συνθετικής τσόχας ③.
- 2) Τυλίξτε σταθερά την ταινία ③ ξεκινώντας από τη βάση. (Τυλίξτε την ταινία φροντίζοντας κάθε φορά να καλύπτεται μέχρι το μέσο του πλάτους της ώστε να μην μένουν κενά.)
 - Ⓐ Υποδοχή για τον δεξιό σωλήνα.
 - Ⓑ Υποδοχή για τον κάτω σωλήνα.

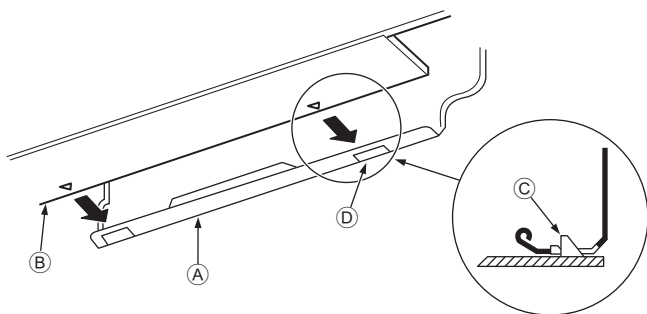
Σωληνώσεις στην αριστερή και στην αριστερή πίσω πλευρά (Εικ. 3-13)

4. Αντικατάσταση σωλήνα αποστράγγισης = Ανατρέξτε στην ενότητα 6. Εργασίες για τις σωληνώσεις αποστράγγισης
Αντικαταστήστε τον σωλήνα και το καπάκι αποστράγγισης για τις σωληνώσεις στην αριστερή και στην αριστερή πίσω πλευρά της μονάδας. Σε περίπτωση λανθασμένης εγκατάστασης ή μη αντικατάστασης των συγκεκριμένων εξαρτημάτων υπάρχει κίνδυνος διαρροής.
 - Ⓒ Καπάκι αποστράγγισης
- 1) Φροντίστε ο σωλήνας αποστράγγισης να μην είναι υπερυψωμένος και να μην έρχεται σε επαφή με το σώμα της εσωτερικής μονάδας.
- 2) Τυλίξτε σταθερά την ταινία ③ ξεκινώντας από τη βάση. (Τυλίξτε την ταινία φροντίζοντας κάθε φορά να καλύπτεται μέχρι το μέσο του πλάτους της ώστε να μην μένουν κενά.)
- 3) Στερεώστε το άκρο της ταινίας ③ χρησιμοποιώντας ταινία βινυλίου.
 - Ⓒ Υποδοχή για τον αριστερό σωλήνα.

3. Εγκατάσταση της εσωτερικής μονάδας

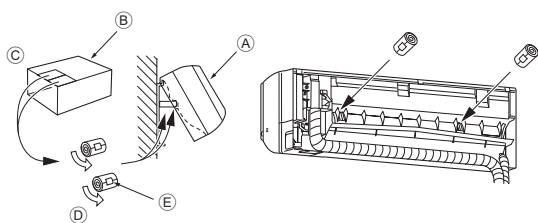


Εικ. 3-14



Εικ. 3-15

■ PKFY-P-VKM-E



Εικ. 3-16

3.5. Ανάρτηση εσωτερικής μονάδας

1. Τοποθετήστε την πλάκα ανάρτησης ① στον τοίχο.
2. Κρεμάστε την εσωτερική μονάδα στο άγκιστρο που βρίσκεται στο πάνω τμήμα της πλάκας ανάρτησης.

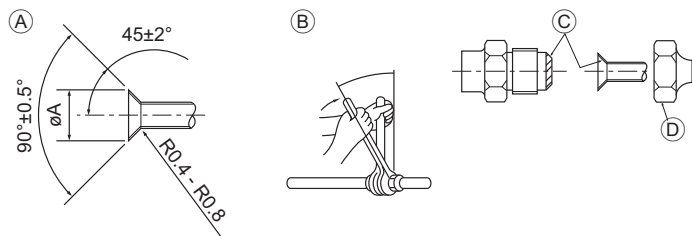
Σωληνώσεις στην πίσω, δεξιά και κάτω πλευρά (Εικ. 3-14)

3. Κατά την εισαγωγή του σωλήνα ψυκτικού και του σωλήνα αποστράγγισης στην οπή εισόδου στον τοίχο (οδηγός εισόδου), στερεώστε το επάνω τμήμα της εσωτερικής μονάδας στην πλάκα ανάρτησης ①.
 4. Μετακινήστε την εσωτερική μονάδα προς τα δεξιά και προς τα αριστερά και βεβαιωθείτε ότι έχει τοποθετηθεί σταθερά στη θέση της.
 5. Στερεώστε την εσωτερική μονάδα πιέζοντας το κάτω τμήμα της προς την πλάκα ανάρτησης ①. (Εικ. 3-15)
- * Βεβαιωθείτε ότι οι προεξοχές στο κάτω τμήμα της εσωτερικής μονάδας είναι καλά στερεωμένες στην πλάκα ανάρτησης ①.
6. Μετά την εγκατάσταση, βεβαιωθείτε ότι η εσωτερική μονάδα είναι ευθυγραμμισμένη.
- Ⓐ Πλάκα ανάρτησης ①
 - Ⓑ Εσωτερική μονάδα
 - Ⓒ Άγκιστρο
 - Ⓓ τετράγωνη οπή

Σωληνώσεις στην αριστερή και στην αριστερή πίσω πλευρά (Εικ. 3-16)

3. Κατά την εισαγωγή του σωλήνα αποστράγγισης στην οπή εισόδου στον τοίχο (οδηγός εισόδου), στερεώστε το επάνω τμήμα της εσωτερικής μονάδας στην πλάκα ανάρτησης ①.
Λαμβάνοντας υπόψη το χώρο αποθήκευσης των σωληνώσεων, μετακινήστε τη μονάδα προς την αριστερή πλευρά και στη συνέχεια κόψτε ένα κομμάτι από το χαρτόνι της συσκευασίας και τυλίξτε το κυλινδρικά όπως φαίνεται στο σχέδιο. Τοποθετήστε το στην πίσω νεύρωση ενίσχυσης της επιφάνειας ως αποστάτη και αναρτήστε την εσωτερική μονάδα.
 4. Συνδέστε το σωλήνα ψυκτικού στις σωληνώσεις ψυκτικού της εγκατάστασης.
 5. Στερεώστε την εσωτερική μονάδα πιέζοντας το κάτω τμήμα της προς την πλάκα ανάρτησης ①.
- * Βεβαιωθείτε ότι οι λαβές στο κάτω τμήμα της εσωτερικής μονάδας είναι καλά στερεωμένες στην πλάκα ανάρτησης ①.
6. Μετά την εγκατάσταση, βεβαιωθείτε ότι η εσωτερική μονάδα είναι ευθυγραμμισμένη.
- Ⓐ Εσωτερική μονάδα
 - Ⓑ Χαρτόνι συσκευασίας
 - Ⓒ Υποδοχή
 - Ⓓ Τύλιγμα σε κύλινδρο
 - Ⓔ Στερέωση με ταινία

4. Εγκατάσταση της σωλήνωσης ψυκτικού υγρού



Εικ. 4-1

Α Διαστάσεις εκχείλωσης

Διάμετρος χαλκοσωλήνα (mm)	Διαστάσεις εκχείλωσης Διάσταση θA (mm)
$\theta 9,52$	12,8 - 13,2
$\theta 15,88$	19,3 - 19,7
$\theta 19,05$	22,9 - 23,3

Β Μεγέθη σωληνώσεων ψυκτικού & ροπή σύσφιξης περικόχλιου εκχείλωσης

Γ Μην αλείψετε με ψυκτικό λάδι τις βίδες.

(Διαφορετικά υπάρχει κίνδυνος να χαλαρώσουν τα περικόχλια εκχείλωσης.)

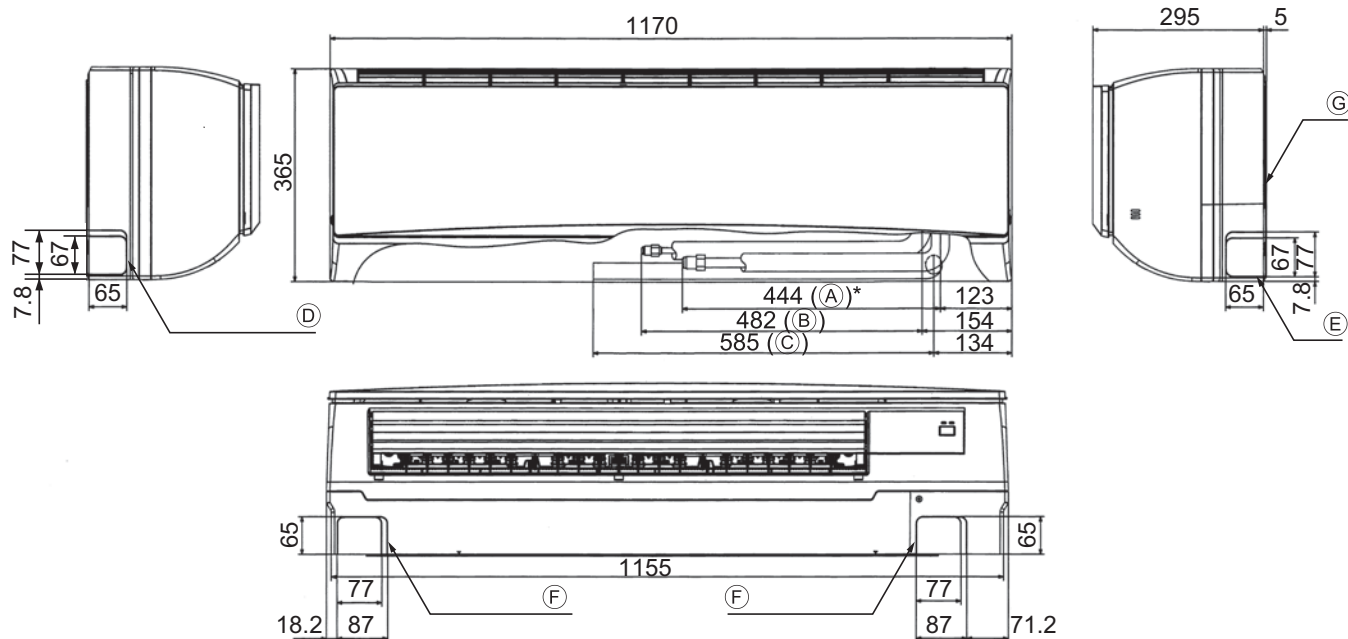
Δ Βεβαιωθείτε ότι χρησιμοποιείτε τα περικόχλια εκχείλωσης που βρίσκονται στην κύρια μονάδα.

(Η χρήση μη ενδεδειγμένων προϊόντων που διατίθενται στο εμπόριο μπορεί να προκαλέσει ζημιές στη μονάδα.)

	R410A				Διάμετρος περικόχλιου εκχείλωσης	
	Σωλήνας υγρού		Σωλήνας αερίου		Σωλήνας υγρού (mm)	Σωλήνας αερίου (mm)
	Μέγεθος σωλήνα (mm)	Ροπή σύσφιξης (N·m)	Μέγεθος σωλήνα (mm)	Ροπή σύσφιξης (N·m)		
P63	OD $\theta 9,52$	34 - 42	OD $\theta 15,88$	68 - 82	22	29
P100	OD $\theta 9,52$	34 - 42	OD $\theta 15,88$	68 - 82	22	29

Ε Αλείψτε με ψυκτικό λάδι ολόκληρη την επιφάνεια στα διαπλατυσμένα τμήματα.

■ PKFY-P-VKM-E



Εικ. 4-2

4.1. Σωλήνες σύνδεσης (Εικ. 4-1)

- Όταν είναι διαθέσιμοι στο εμπόριο χρησιμοποιούνται χαλκοσωλήνες, σπειροειδείς σωλήνες υγρού και αερίου με υλικό μόνωσης που διατίθεται στο εμπόριο (θερμική αντοχή έως 100 °K ή μεγαλύτερη, πάχος 12 mm. ή μεγαλύτερο).
- Τα εσωτερικά εξαρτήματα του σωλήνα αποστράγγισης πρέπει να περιτυλιγονται με μονωτικό αφρό πολυαιθυλαίνιου (ειδικό βάρος 0,03, πάχος 9 mm. ή μεγαλύτερο).
- Πριν βιδώσετε το περικόχλιο εκχείλωσης απλώστε στο σωλήνα και στην κοινή επιφάνεια που επικάθεται λεπτό στρώμα από ψυκτικό λάδι.
- Χρησιμοποιήστε δύο κλειδιά για να σφίξετε τις συνδέσεις των σωλήνων.
- Χρησιμοποιήστε το παρεχόμενο υλικό μόνωσης για τους σωλήνες ψυκτικού για να μονώσετε τις συνδέσεις στις σωληνώσεις της εσωτερικής μονάδας. Κάντε τη μόνωση προσεκτικά.

⚠ Προειδοποίηση:

Κατά την εγκατάσταση της μονάδας, συνδέστε με ασφάλεια τους σωλήνες ψυκτικού πριν θέσετε σε λειτουργία το συμπιεστή.

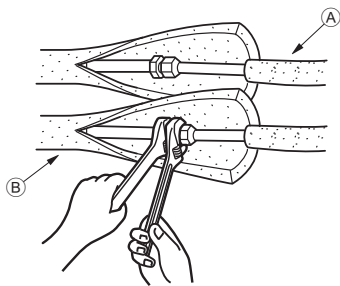
4.2. Τοποθέτηση των σωληνώσεων ψυκτικού και αποχέτευσης (Εικ. 4-2)

■ PKFY-P-VKM-E

Α Σωλήνας αερίου * Υποδεικνύει την κατάσταση μετά την τοποθέτηση των εξαρτημάτων.

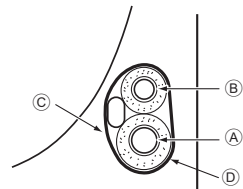
- Β Σωλήνας υγρού
- Γ Σωλήνας αποστράγγισης
- Δ Έτοιμη οπή υποδοχής σωληνώσεων αριστερής πλευράς
- Ε Έτοιμη οπή υποδοχής σωληνώσεων δεξιάς πλευράς
- Φ Έτοιμη οπή υποδοχής σωληνώσεων κάτω πλευράς
- Θ Πλάκα ανάρτησης ①

4. Εγκατάσταση της σωλήνωσης ψυκτικού υγρού



Εικ. 4-3

■ PKFY-P-VKM-E



Εικ. 4-4

4.3. Εργασίες ψυκτικής σωλήνωσης (Εικ. 4-3)

Εσωτερική μονάδα

1. Αφαιρέστε το μπουλόνι το καπάκι της εσωτερικής μονάδας.
2. Κάντε ένα κωνικό χελάκι στη σωλήνα υγρού και στη σωλήνα αερίου και βάλτε λίγο λάδι από το μηχάνημα ψύξης (από τοπικό προμηθευτή) στην εξωτερική επιφάνεια του κώνου.
3. Συνδέστε αμέσως τους σωλήνες της τοπικής εγκατάστασης στη μονάδα.
4. Τοποθετήστε το καπάκι του σωλήνα που είναι συνδεδεμένο στο σωλήνα αερίου και βεβαιωθείτε ότι η σύνδεση δεν είναι ορατή.
5. Τοποθετήστε το καπάκι του σωλήνα από τη σωλήνα αερίου της μονάδας και βεβαιωθείτε ότι καλύπτει το μονωτικό υλικό του σωλήνα υγρού της τοπικής εγκατάστασης.
6. Το τμήμα σύνδεσης όπου τοποθετείται θερμομονωτικό υλικό στεγανοποιείται με ταινία.

Ⓐ Σωληνώσεις ψυκτικού εγκατάστασης

Ⓑ Σωληνώσεις ψυκτικού μονάδας

4.3.1. Αποθήκευση στο χώρο σωληνώσεων της μονάδας (Εικ. 4-4)

1. Τυλίξτε με την παρεχόμενη ταινία από συνθετική τσόχα τις σωληνώσεις ψυκτικού που θα τοποθετηθούν στο χώρο σωληνώσεων της μονάδας για την αποφυγή διαρροών.
2. Τυλίξτε την ταινία φροντίζοντας κάθε φορά να καλύπτεται μέχρι το μέσο πλάτους της ώστε να μην μένουν κενά.
3. Στερεώστε το άκρο της ταινίας χρησιμοποιώντας ταινία βινυλίου κτλ.

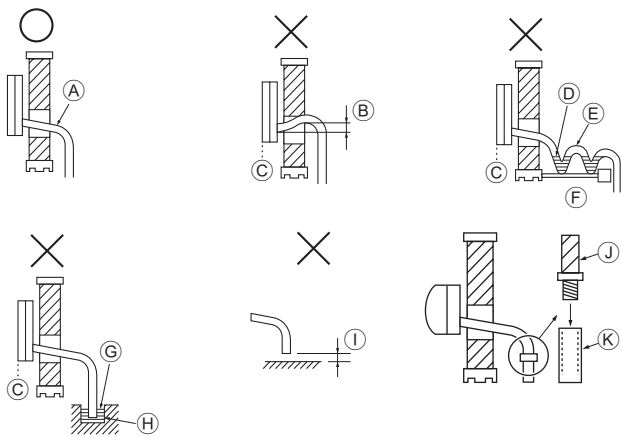
Ⓐ Σωλήνας αερίου

Ⓑ Σωλήνας υγρού

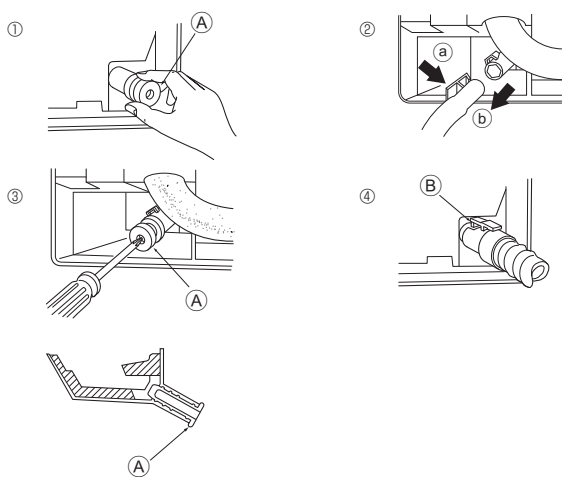
Ⓒ Καλώδιο σύνδεσης εσωτερικής/εξωτερικής μονάδας

Ⓓ Ταινία συνθετικής τσόχας ③

5. Εργασίες Σωληνώσεων Αποχέτευσης

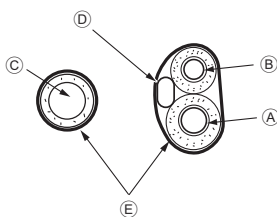


Εικ. 5-1

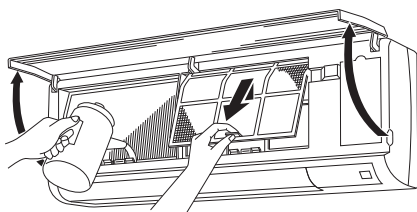


Εικ. 5-2

■ PKFY-P-VKM-E



Εικ. 5-3



Εικ. 5-4

5.1. Εργασίες Σωληνώσεων Αποχέτευσης (Εικ. 5-1)

- Οι σωλήνες αποχέτευσης πρέπει να έχουν κλίση 1/100 ή περισσότερη.
- Για επέκταση του σωλήνα αποστράγγισης, χρησιμοποιήστε έναν εύκαμπτο σωλήνα (εσ. διάμετρος 15 mm) που μπορείτε να βρείτε στο εμπόριο ή σωλήνα από σκληρό PVC (VP-16/Σωλήνας PVC, Ο.Δ. Ø22). Βεβαιωθείτε ότι δεν παρουσιάζονται διαρροές στα σημεία ένωσης.
- Ο σωλήνας αποχέτευσης δεν πρέπει να εισέρχεται απευθείας σε αποχετευτικό αυλάκι όπου είναι πιθανό να παράγονται θειούχα αέρια.
- Όταν έχουν τελειώσει οι εργασίες για τη σωληνώση, ελέγξτε για να είστε βέβαιοι ότι τρέχει νερό από την άκρη του σωλήνα αποχέτευσης.

⚠ Προσοχή:

Για να είναι βέβαιο ότι υπάρχει κανονική αποχέτευση, η εγκατάσταση του σωλήνα αποχέτευσης πρέπει να γίνεται όπως περιγράφεται σ' αυτό το Εγχειρίδιο Οδηγιών Εγκατάστασης. Η θερμική μόνωση των σωλήνων αποχέτευσης είναι απαραίτητη για την πρόληψη δημιουργίας συμπύκνωσης. Εάν δεν έχουν εγκατασταθεί κανονικά οι σωλήνες αποχέτευσης και δεν έχουν μονωθούν ως προβλέπεται, ενδέχεται να στάζει νερό στο ταβάνι, στο δάπεδο και σε άλλα μέρη του σπιτιού, που θα προέρχεται από υγροποιημένη συμπύκνωση.

- Ⓐ Κλίση προς τα κάτω
- Ⓑ Πρέπει να είναι σε χαμηλότερο επίπεδο από το στόμιο εξαγωγής
- Ⓒ Διαρροή νερού
- Ⓓ Σημείο εγκλωβισμού νερού
- Ⓔ Αέρας
- Ⓕ Κυματιστή μορφή
- Ⓖ Το τελικό άκρο του σωλήνα αποστράγγισης βρίσκεται κάτω από το επίπεδο του νερού.
- Ⓖ Αυλάκι αποστράγγισης
- Ⓛ απόσταση 5 cm ή μικρότερη μεταξύ του τελικού άκρου του σωλήνα αποστράγγισης και του δαπέδου.
- Ⓜ Σωλήνας αποστράγγισης
- Ⓝ Σωλήνας από μαλακό PVC (εσωτερική διάμετρος 15 mm) ή Σωλήνας από σκληρό PVC (VP-16)
- * Σύνδεση με συγκολλητικό υλικό από PVC

Προπαρασκευή αριστερού και δεξιού πίσω σωλήνα (Εικ. 5-2)

- 1 Εξαγωγή του καπακιού αποστράγγισης.
- Βγάλτε το καπάκι αποστράγγισης τραβώντας το κομμάτι που προεξέχει από την άκρη του σωλήνα.
 - Ⓐ Καπάκι αποστράγγισης
- 2 Εξαγωγή του εύκαμπτου σωλήνα αποστράγγισης.
 - Βγάλτε τον εύκαμπτο σωλήνα αποστράγγισης κρατώντας τη βάση του εύκαμπτου σωλήνα Ⓜ (όπως δείχνει το βέλος) και τραβώντας προς την πλευρά σας Ⓜ.
- 3 Εισαγωγή του καπακιού αποστράγγισης.
 - Βάλτε το κατσαβίδι κ.λ.π. στην οπή στην άκρη του σωλήνα και πιέστε στη βάση του δοχείου αποστράγγισης.
- 4 Εισαγωγή του εύκαμπτου σωλήνα αποστράγγισης.
 - Τραβήξτε τον εύκαμπτο σωλήνα αποστράγγισης μέχρι να φτάσει στη βάση της εξόδου της σύνδεσης του δοχείου αποστράγγισης.
- Βεβαιωθείτε ότι ο γάντζος του εύκαμπτου σωλήνα αποστράγγισης είναι καλά σφιγμένος στην προεξέχουσα έξοδο σύνδεσης του δοχείου αποστράγγισης.
 - Ⓜ Γάντζοι

◆ Αποθήκευση στο χώρο σωληνώσεων της εσωτερικής μονάδας (Εικ. 5-3)

- * Όταν η όδευση του σωλήνα αποστράγγισης γίνεται εσωτερικά, πρέπει να τον τυλίξετε με μονωτικό υλικό που διατίθεται στο εμπόριο.
- * Πιάστε τον σωλήνα αποστράγγισης μαζί με τον σωλήνα ψυκτικού και τυλίξτε τους με την παρεχόμενη ταινία συνθετικής τσόχας Ⓜ.
- * Τυλίξτε την ταινία Ⓜ φροντίζοντας κάθε φορά να καλύπτεται μέχρι το μέσο του πλάτους της ώστε να μην μένουν κενά.
- * Στερεώστε το άκρο της ταινίας χρησιμοποιώντας ταινία βινυλίου κτλ.

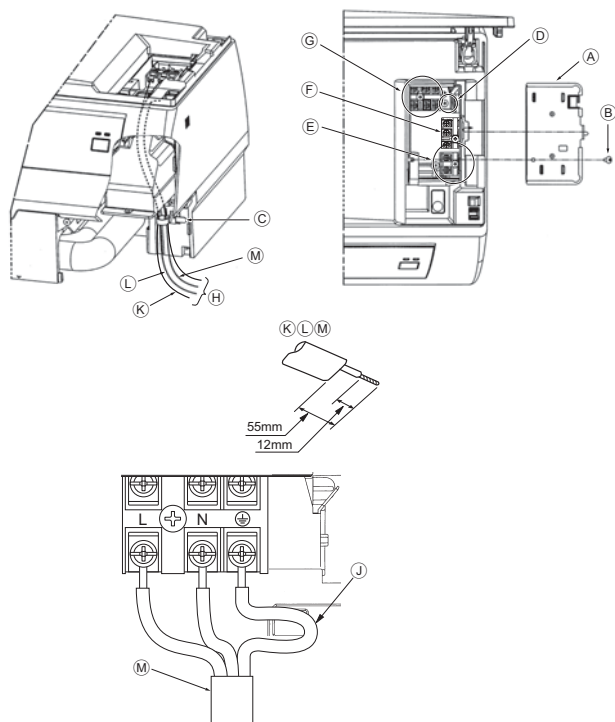
- Ⓐ Σωλήνας αερίου
- Ⓑ Σωλήνας υγρού
- Ⓒ Σωλήνας αποστράγγισης
- Ⓓ Καλωδιώσεις σύνδεσης εσωτερικής/εξωτερικής μονάδας
- Ⓔ Ταινία συνθετικής τσόχας Ⓜ

◆ Έλεγχος της αποστράγγισης (Εικ. 5-4)

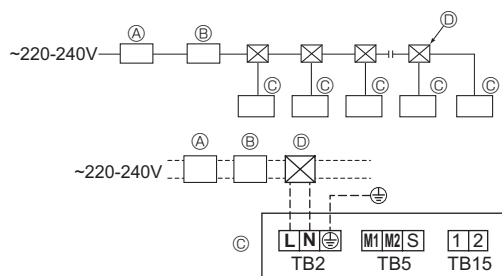
1. Ανοίξτε την μπροστινή γρίλια και αφαιρέστε το φίλτρο.
2. Ενώ είστε στραμμένοι προς την κατεύθυνση των πτερυγίων του εναλλάκτη θερμότητας, γεμίστε αργά με νερό.
3. Αφού ελέγξετε τις σωληνώσεις αποστράγγισης, τοποθετήστε το φίλτρο στη θέση του και κλείστε την γρίλια.

6. Ηλεκτρικές εργασίες

■ PKFY-P-VKM-E



Εικ. 6-1



Εικ. 6-2

6.1. Ηλεκτρικές εργασίες

■ PKFY-P-VKM-E (Εικ. 6-1)

Μπορεί να γίνει σύνδεση χωρίς αφαίρεση του μπροστινού πλαισίου.

1. Ανοίξτε την μπροστινή γρίλια, αφαιρέστε τη βίδα (1) και στη συνέχεια αφαιρέστε το κάλυμμα των ηλεκτρικών εξαρτημάτων.
 2. Συνδέστε σωστά κάθε καλώδιο στην πλακέτα ακροδεκτών.
- * Για λόγους ευκολίας, αφήστε μεγαλύτερο περιθώριο στο μήκος των καλωδίων.
* Προσέξτε όταν χρησιμοποιείτε στριφτά καλώδια γιατί οι περιελίξεις του σπειρώματος ίσως προκαλέσουν μείωση του μήκους τους.
3. Τοποθετήστε τα εξαρτήματα που αφαιρέσατε στην αρχική τους θέση.
 4. Στερεώστε τα καλώδια κάτω από το καπάκι των ηλεκτρικών εξαρτημάτων χρησιμοποιώντας τον σφιγκτήρα.

- Ⓐ Κάλυμμα κουτιού ηλεκτρικών εξαρτημάτων
- Ⓑ Βίδα στερέωσης
- Ⓒ Σφιγκτήρας
- Ⓓ Τμήμα σύνδεσης του καλωδίου γείωσης
- Ⓔ Επαφές ακροδεκτών τηλεχειριστηρίου MA: (1, 2) δεν έχουν πολικότητα
- Ⓕ Επαφές ακροδεκτών μετάδοσης: (M1, M2, S) δεν έχουν πολικότητα
- Ⓖ Επαφές ακροδεκτών τροφοδοσίας (L, N, Γείωση).
- Ⓗ Αγωγός
- Ⓙ Τμήμα σύνδεσης του καλωδίου γείωσης: Συνδέστε το καλώδιο γείωσης προς την κατεύθυνση που φαίνεται στο σχέδιο.
- Ⓚ Καλώδιο τηλεχειριστηρίου
- Ⓛ Καλώδιο μετάδοσης
- Ⓜ Καλώδιο τροφοδοσίας

6.2. Καλωδίωση τροφοδοσίας

- Οι διαστάσεις των καλωδίων πρέπει να συμμορφώνονται με τον ισχύοντα τοπικό και εθνικό κώδικα.
- Το καλώδιο τροφοδοσίας της συσκευής δεν θα πρέπει να έχει χαμηλότερες προδιαγραφές από τα πρότυπα 245 IEC 53 ή 227 IEC 57, 245 IEC 53 ή 227 IEC 53.
- Εγκαταστήστε μια γραμμή γείωσης μεγαλύτερου μήκους από τα υπόλοιπα καλώδια.
- Στην εγκατάσταση του κλιματιστικού πρέπει να υπάρχει ένας διακόπτης με κενό επαφής τουλάχιστον 3 mm, 1/8 inch σε κάθε πόλο.

[Εικ.6-2]

- Ⓐ Αυτόματος διακόπτης διαρροής
- Ⓑ Υπάρχων ασφαλειοδιακόπτης
- Ⓒ Εσωτερική μονάδα
- Ⓓ Κουτί διακλάδωσης

⚠ Προειδοποίηση:

Ποτέ μη συγκολλήσετε το καλώδιο τροφοδοσίας ή το καλώδιο σύνδεσης εσωτερικής-εξωτερικής μονάδας, διαφορετικά μπορεί να προκληθεί καπνός, πυρκαγιά ή σφάλμα επικοινωνίας.

6. Ηλεκτρικές εργασίες

Συνολικό ρεύμα λειτουργίας εσωτερικής μονάδας	Ελάχιστο πάχος καλωδίου (mm ²)			Αυτόματος διακόπτης διαρροής *1	Υπάρχων διακόπτης (A)		Ασφαλειοδιακόπτης καλωδίωσης (NFB)
	Κύριο καλώδιο	Διακλάδωση	Γείωση		Χωρητικότητα	Ασφάλεια	
F0 = 16 A ή λιγότερα *2	1,5	1,5	1,5	Ευαισθησία ρεύματος 20 A *3	16	16	20
F0 = 25 A ή λιγότερα *2	2,5	2,5	2,5	Ευαισθησία ρεύματος 30 A *3	25	25	30
F0 = 32 A ή λιγότερα *2	4,0	4,0	4,0	Ευαισθησία ρεύματος 40 A *3	32	32	40

Εφαρμόστε το πρότυπο IEC61000-3-3 σχετικά με τη μέγιστη παθητική αντίσταση συστήματος.

*1 Ο αυτόματος διακόπτης διαρροής θα πρέπει να υποστηρίζει κύκλωμα μετατροπείας.

Ο αυτόματος διακόπτης διαρροής θα πρέπει να συνδυάζει τη χρήση του υπάρχοντος ασφαλειοδιακόπτη.

*2 Χρησιμοποιήστε τη μεγαλύτερη τιμή μεταξύ των F1 ή F2 για την τιμή του F0.

F1 = Συνολικό μέγιστο ρεύμα λειτουργίας εσωτερικών μονάδων × 1,2

F2 = {V1 × (Ποσότητα τύπου 1)/C} + {V1 × (Ποσότητα τύπου 2)/C} + {V1 × (Ποσότητα τύπου 3)/C} + {V1 × (Ποσότητα άλλων)/C}

Εσωτερική μονάδα	V1	V2
Τύπος 1 PLFY-VBM, PMFY-VBM, PEFY-VMS, PFFY-VKM, PCFY-VKM, PKFY-VHM, PKFY-VKM, PLFY-VCM	18,6	2,4
Τύπος 2 PEFY-VMA	38	1,6
Τύπος 3 PEFY-VMHS	13,8	4,8
Άλλα Άλλη εσωτερική μονάδα	0	0

C : Πολλαπλασιάστε το ρεύμα βραχυκύκλωσης σε χρόνο βραχυκύκλωσης 0,01 s

Εντοπίστε το "C" στα χαρακτηριστικά ρεύματος βραχυκύκλωσης του ασφαλειοδιακόπτη.

<Παράδειγμα υπολογισμού "F2">

*Συνθήκη PEFY-VMS × 4 + PEFY-VMA × 1, C = 8 (ανατρέξτε στο διάγραμμα με το παράδειγμα στα δεξιά)

$$F2 = 18,6 \times 4/8 + 38 \times 1/8$$

$$= 14,05$$

→ Ασφαλειοδιακόπτης 16 A (Ρεύμα βραχυκύκλωσης = 8 × 16 A στα 0,01 s)

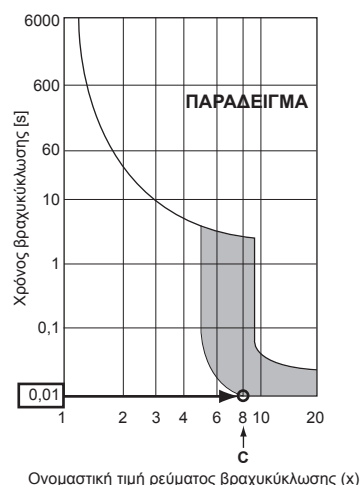
*3 Η ευαισθησία ρεύματος υπολογίζεται με τον ακόλουθο τύπο.

$$G1 = V2 \times (\text{Ποσότητα τύπου 1}) + V2 \times (\text{Ποσότητα τύπου 2}) + V2 \times (\text{Ποσότητα τύπου 3}) + V2 \times (\text{Ποσότητα άλλων}) + V3 \times (\text{Μήκος καλωδίου [km]})$$

G1	Ευαισθησία ρεύματος
30 ή λιγότερο	30 mA 0,1 sec ή λιγότερο
100 ή λιγότερο	100 mA 0,1 sec ή λιγότερο

Πάχος καλωδίου	V3
1,5 mm ²	48
2,5 mm ²	56
4,0 mm ²	66

Σχεδιάγραμμα παραδείγματος



6.3. Τύποι καλωδίων ελέγχου

1. Καλώδια μετάδοσης

Τύποι καλωδίου μετάδοσης	Θωρακίση καλωδίου CVVS ή CPEVS
Διάμετρος καλωδίου	Περισσότερο από 1,25 mm ²
Μήκος	Λιγότερο από 200 m

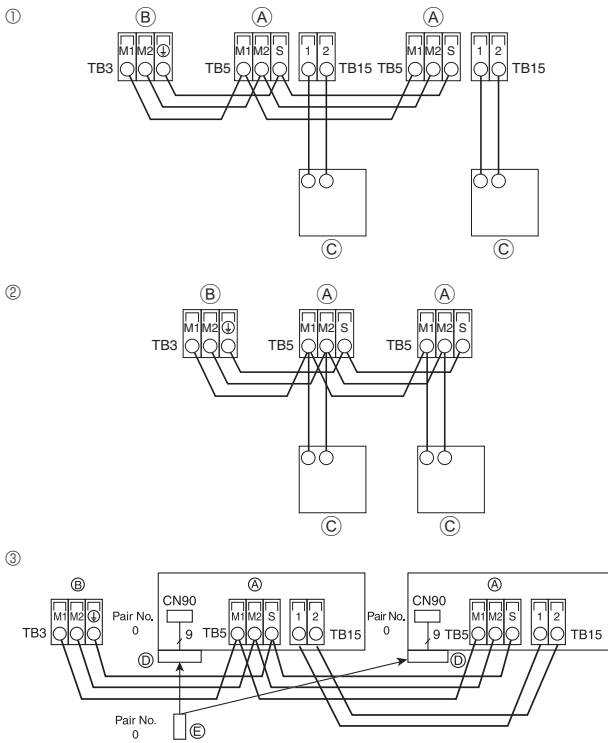
2. Καλώδια ελεγκτή εξ' αποστάσεως M-NET

Τύπος καλωδίου ελεγκτή	Καλώδιο προστασίας MVVS
Διάμετρος καλωδίου	Πάνω από 0,5 έως 1,25 mm ²
Μήκος	Προσθέστε το τμήμα που υπερβαίνει τα 10 m στο καλώδιο μετάδοσης με επιτρεπτό μήκος τα 200 m.

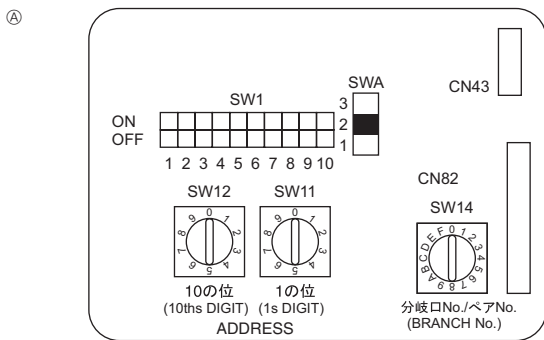
3. Καλώδια ελεγκτή εξ' αποστάσεως MA

Τύπος καλωδίου ελεγκτή	Δίκλωνο καλώδιο (μη θωρακισμένο)
Διάμετρος καλωδίου	Πάνω από 0,3 έως 1,25 mm ²
Μήκος	Λιγότερο από 200 m

6. Ηλεκτρικές εργασίες



Εικ. 6-3



Εικ. 6-4

6.4. Σύνδεση ελεγκτού εξ αποστάσεως, καλώδιων μεταφοράς εξωτερικών και εσωτερικών μονάδων (Εικ. 6-3)

- Συνδέστε την εσωτερική μονάδα TB5 και την εξωτερική μονάδα TB3. (Διπλό μη-πολικό καλώδιο) Το "S" στην εσωτερική μονάδα TB5 είναι μία σύνδεση καλωδίων προστασίας. Για προδιαγραφές σχετικά με τη σύνδεση καλωδίων, βλέπετε τις οδηγίες εγκατάστασης της εξωτερικής μονάδας.
 - Τοποθετήστε τον ελεγκτή εξ αποστάσεως σύμφωνα με τις οδηγίες που παρέχονται με τον ελεγκτή εξ αποστάσεως.
 - Συνδέστε το καλώδιο μεταφοράς του ελεγκτού εξ αποστάσεως εντός 10 m. χρησιμοποιώντας καλώδιο διαμέτρου 0,75 mm². Αν η απόσταση είναι πάνω από 10 m, χρησιμοποιήστε καλώδιο διαμέτρου 1,25 mm².
 - ① Ελεγκτής εξ αποστάσεως MA
 - Συνδέστε τα τερματικά "1" και "2" του TB15 της εσωτερικής μονάδας σε έναν ελεγκτή εξ' αποστάσεων MA. (Χρησιμοποιήστε δύο μη πολωμένα καλώδια.)
 - DC 9 σε 13 V μεταξύ 1 και 2 (Ελεγκτής εξ αποστάσεως MA)
 - ② Ελεγκτής εξ αποστάσεως M-NET
 - Συνδέστε τα τερματικά "M1" και "M2" του TB5 της εσωτερικής μονάδας σε έναν ελεγκτή εξ' αποστάσεων M-NET. (Χρησιμοποιήστε δύο μη πολωμένα καλώδια.)
 - DC 24 σε 30 V μεταξύ M1 και M2 (Ελεγκτής εξ αποστάσεως M-NET)
 - ③ Ασύρματο τηλεχειριστήριο (Κατά την εγκατάσταση του ασύρματου δέκτη σήματος)
 - Συνδέστε το καλώδιο του ασύρματου δέκτη σήματος (καλώδιο 9-πόλων) στο CN90 του πίνακα ελέγχου της εσωτερικής μονάδας.
 - Όταν περισσότερες από δύο μονάδες λειτουργούν με έλεγχο ομάδας με χρήση ασύρματου τηλεχειριστηρίου, συνδέστε το TB15 της καθεμίας με τον ίδιο αριθμό.
 - Για να αλλάξετε τη ρύθμιση του Αρ. Ζεύγους, ανατρέξτε στο εγχειρίδιο εγκατάστασης του ασύρματου τηλεχειριστηρίου. (Στην προεπιλεγμένη ρύθμιση της εσωτερικής μονάδας και του ασύρματου τηλεχειριστηρίου, ο Αρ. Ζεύγους είναι 0.)
- Ⓐ Πίνακας ακροδεκτών για καλώδιο μετάδοσης εσωτερικής μονάδας
 Ⓑ Πίνακας ακροδεκτών για καλώδιο μετάδοσης εξωτερικής μονάδας (M1(A), M2(B), ⊕(S))
 Ⓒ Τηλεχειριστήριο
 Ⓓ Ασύρματος δέκτης σήματος
 Ⓔ Ασύρματο τηλεχειριστήριο

6.5. Ρύθμιση διευθύνσεων (Εικ. 6-4)

- (Εξασφαλίστε ότι κατά τη διάρκεια εργασίας, ο διακόπτης ρεύματος είναι κλειστός)
- Υπάρχουν δύο τύποι ρύθμισης περιστρεφόμενου διακόπτη: ρύθμιση διευθύνσεων 1 έως 9, και πάνω από 10, και ρύθμιση αριθμών διακλαδώσεων.
 - ① Ρύθμιση διευθύνσεων
 - Παράδειγμα: Αν η διεύθυνση είναι "3", αφήστε το διακόπτη SW12 (για πάνω από 10) στη θέση "0", και γυρίστε το διακόπτη SW11 (από 1 έως 9) στη θέση "3".
 - ② Ρύθμιση αριθμών διακλαδώσεων SW14 (μόνο τα μοντέλα R2)
 - Αντιστοιχίστε το σωλήνα ψυκτικού της εσωτερικής μονάδας στον τελευταίο αριθμό σύνδεσης του ελεγκτή BC.
 - Αφήστε τους υπόλοιπους διακόπτες στη θέση "0", εκτός από τα μοντέλα της σειράς R2.
 - Κατά την παράδοση από το εργοστάσιο, οι περιστροφικοί διακόπτες είναι ρυθμισμένοι στη θέση "0". Αυτοί οι διακόπτες χρησιμοποιούνται για τον ορισμό διευθύνσεων μονάδας και αριθμών διακλαδώσεων όπως επιθυμείτε.
 - Ο ορισμός των διευθύνσεων της εσωτερικής ομάδας διαφέρει ανάλογα με το σύστημα. Ρυθμίστε τις ανατρέχοντας στο Βιβλίο Δεδομένων.

6.6. Ανίχνευση θερμοκρασίας χώρου με τον ενσωματωμένο αισθητήρα στο τηλεχειριστήριο

Αν θέλετε να γίνεται ανίχνευση της θερμοκρασίας δωματίου με τον ενσωματωμένο αισθητήρα του τηλεχειριστηρίου, γυρίστε το διακόπτη SW1-1 στη θέση "ON" στον πίνακα ελέγχου. Η κατάλληλη ρύθμιση του διακόπτη SW1-7 και SW1-8 επιτρέπει επίσης την προσαρμογή της ροής του αέρα όταν το θερμομέτρο είναι στη θέση OFF.

6.7. Ηλεκτρολογικά χαρακτηριστικά

Σύμβολα: MAK: Μέγιστο αμπέρ κυκλώματος (= 1,25×ΑΠΦ) ΑΠΦ: Αμπέρ πλήρους φορτίου
 MEA: Μοτέρ εσωτερικού ανεμιστήρα Έξοδος: Ονομαστική τιμή μοτέρ ανεμιστήρα

Μοντέλο	Τροφοδοσία			MEA	
	Volt/ Hz	Εύρος +/- 10%	MAK (A)	Έξοδος (kW)	ΑΠΦ (A)
PKFY-P63VKM-E	220-240 V / 50 Hz	Μέγιστο: 264 V Ελάχιστο: 198 V	0,36	0,056	0,29
PKFY-P100VKM-E	220 V / 60 Hz		0,63	0,056	0,50

7. Δοκιμαστική λειτουργία

7.1. Πριν από τη δοκιμαστική λειτουργία

- ▶ Μετά την εγκατάσταση και αφού τελειώσετε με την καλωδίωση και τη σωλήνωση της εσωτερικής και της εξωτερικής μονάδας, ελέγξτε για τυχόν διαρροή ψυκτικού, χαλαρά καλώδια ηλεκτρικής παροχής ή καλωδίωσης ελέγχου, λανθασμένη πολικότητα ή αποσύνδεση μίας από τις φάσεις της παροχής.
- ▶ Χρησιμοποιήστε ένα μεγόμετρο τάσης 500V για να ελέγξετε ότι η αντίσταση μεταξύ των τερματικών της ηλεκτρικής παροχής και της γείωσης είναι τουλάχιστο 1,0 ΜΩ (μεγαώμ).

- ▶ Μην εκτελέσετε αυτή τη δοκιμή στα τερματικά της καλωδίωσης ελέγχου (κύκλωμα χαμηλής τάσης).

⚠ Προειδοποίηση:
Μην χρησιμοποιήσετε το κλιματιστικό αν η αντίσταση μόνωσης είναι μικρότερη από 1,0 ΜΩ.

Διασύνδεση τηλεχειριστηρίου

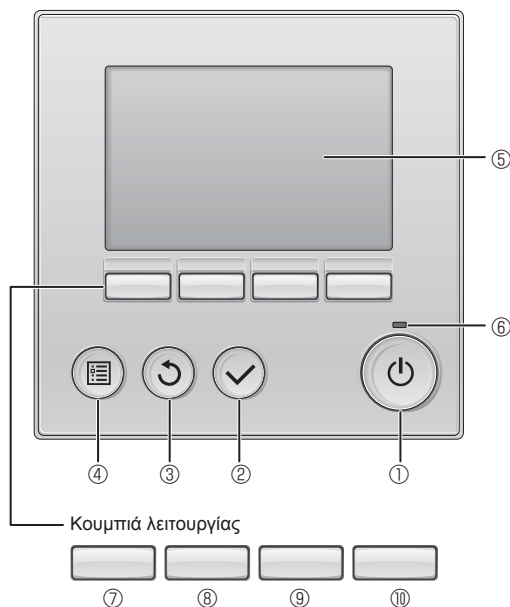


Fig. 7-1

7.2. Δοκιμαστική λειτουργία

Είναι διαθέσιμες οι παρακάτω 3 μέθοδοι.

7.2.1. Με ενσύρματο τηλεχειριστήριο (Fig. 7-1)

- 1 Κουμπί [ON/OFF]**
Πιέστε για να ΕΝΕΡΓΟΠΟΙΗΣΕΤΕ/ΑΠΕΝΕΡΓΟΠΟΙΗΣΕΤΕ (ON/OFF) την εσωτερική μονάδα.
- 2 Κουμπί [ΕΠΙΛΟΓΗ]**
Πιέστε για να αποθηκεύσετε τη ρύθμιση.
- 3 Κουμπί [ΕΠΙΣΤΡΟΦΗ]**
Πιέστε για να επιστρέψετε στην προηγούμενη οθόνη.
- 4 Κουμπί [ΜΕΝΟΥ]**
Πιέστε για να επαναφέρετε το Βασικό μενού.
- 5 Οπισθόφωτο LCD**
Θα εμφανιστούν οι ρυθμίσεις λειτουργίας.
Όταν ο οπίσθιος φωτισμός είναι απενεργοποιημένος, με την πίεση οποιουδήποτε κουμπιού ο φωτισμός αυτός θα ενεργοποιηθεί και θα παραμείνει αναμμένος για μια συγκεκριμένη χρονική περίοδο, ανάλογα με την οθόνη.
Όταν ο οπίσθιος φωτισμός είναι απενεργοποιημένος, με την πίεση οποιουδήποτε κουμπιού ο φωτισμός αυτός θα ενεργοποιηθεί και η λειτουργία του δεν διεξάγεται. (εκτός του κουμπιού [ON/OFF])
- 6 Λυχνία ON/OFF**
Αυτή η λυχνία ανάβει πράσινη, όσο η μονάδα είναι σε λειτουργία. Ανα-βασβήνει ενώ το τηλεχειριστήριο εκκινείται ή όταν υπάρχει σφάλμα.
- 7 Κουμπί λειτουργίας [F1]**
Βασική οθόνη: Πιέστε για να αλλάξετε τη κατάσταση λειτουργίας.
Βασικό μενού: Πιέστε για να μετακινήσετε προς τα κάτω τον κέρσορα.
- 8 Κουμπί λειτουργίας [F2]**
Βασική οθόνη: Πιέστε για να μειώσετε τη θερμοκρασία.
Βασικό μενού: Πιέστε για να μετακινήσετε προς τα επάνω τον κέρσορα.
- 9 Κουμπί λειτουργίας [F3]**
Βασική οθόνη: Πιέστε για να αυξήσετε τη θερμοκρασία.
Βασικό μενού: Πιέστε για να πάτε στην προηγούμενη σελίδα.
- 10 Κουμπί λειτουργίας [F4]**
Βασική οθόνη: Πιέστε για να αλλάξετε την ταχύτητα του ανεμιστήρα.
Βασικό μενού: Πιέστε για να πάτε στην επόμενη σελίδα.

Βήμα 1 Αλλάξτε τη λειτουργία του τηλεχειριστηρίου σε "Test run" (Εκτέλεση ελέγχου).

- 1 Επιλέξτε "Service" (Σέρβις) από το βασικό μενού και πατήστε το κουμπί ☑.
- 2 Όταν επιλεγθεί το μενού Συντήρησης, θα εμφανιστεί ένα παράθυρο αιτήματος κωδικού. (Fig. 7-2)
Για να εισάγετε τον ισχύοντα κωδικό Συντήρησης (4 αριθμητικά ψηφία), μετακινήστε τον κέρσορα στο ψηφίο που θέλετε να αλλάξετε με το πλήκτρο [F1] ή [F2] και ορίστε κάθε αριθμό (0 έως 9) με το πλήκτρο [F3] ή [F4]. Στη συνέχεια, πιέστε το πλήκτρο ☑.

Σημείωση: Ο αρχικός κωδικός συντήρησης είναι "9999". Αλλάξτε τον αρχικό κωδικό για να αποτρέψετε μη εξουσιοδοτημένη πρόσβαση. Έχετε διαθέσιμο τον κωδικό για όσους το χρειάζονται.

Σημείωση: Εάν ξεχάσετε τον κωδικό συντήρησης, μπορείτε να επαναφέρετε τον κωδικό στον αρχικό "9999" πιέζοντας και κρατώντας πατημένα ταυτόχρονα τα πλήκτρα [F1] και [F2] για τρία δευτερόλεπτα στην οθόνη ρύθμισης κωδικού συντήρησης.

- 3 Επιλέξτε "Test run" (Εκτέλεση ελέγχου) με το κουμπί [F1] ή [F2] και, στη συνέχεια, πατήστε το κουμπί ☑. (Fig. 7-3)
- 4 Επιλέξτε "Test run" (Εκτέλεση ελέγχου) με το κουμπί [F1] ή [F2] και, στη συνέχεια, πατήστε το κουμπί ☑. (Fig. 7-4)

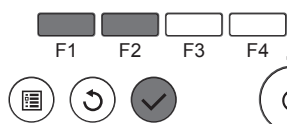
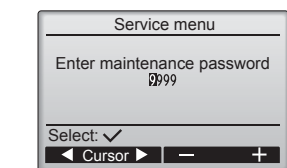


Fig. 7-2

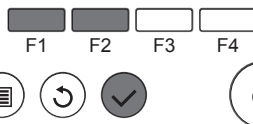
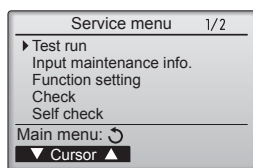


Fig. 7-3

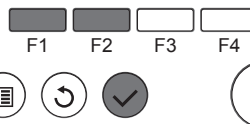
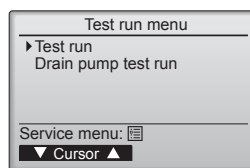


Fig. 7-4

7. Δοκιμαστική λειτουργία

Βήμα 2 Εκτελέστε τη λειτουργία εκτέλεσης ελέγχου και ελέγξτε τη θερμοκρασία ροής αέρα και η αυτόματη διακύμανση της κατεύθυνσης του αέρα.

- ① Πιέστε το κουμπί [F1] για να περιηγηθείτε στις λειτουργίες "Cool" (Ψύξη) και "Heat" (Θέρμανση). (Fig. 7-5)
 Λειτουργία ψύξης: Ελέγξτε αν εξέρχεται ψυχρός αέρας.
 Λειτουργία θέρμανσης: Ελέγξτε αν εξέρχεται θερμός αέρας.
 * Ελέγξτε τη λειτουργία του ανεμιστήρα της εξωτερικής μονάδας.
- ② Πιέστε το κουμπί [✓] και ανοίξτε την οθόνη ρύθμισης περιόδων.

Έλεγχος αυτόματης διακύμανσης κατεύθυνσης αέρα

- ① Ελέγξτε την αυτόματη διακύμανση της κατεύθυνσης του αέρα με τα κουμπιά [F1] [F2]. (Fig. 7-6)
- ② Πιέστε το κουμπί [↺] για να επιστρέψετε στη λειτουργία "Test run" (Εκτέλεση δοκιμαστικής λειτουργίας).
- ③ Πιέστε το κουμπί [⏻].

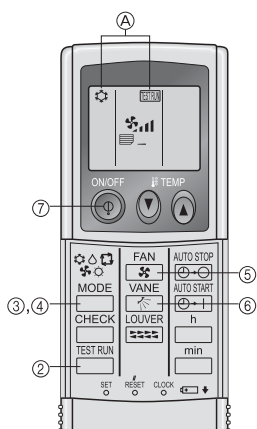


Fig. 7-7

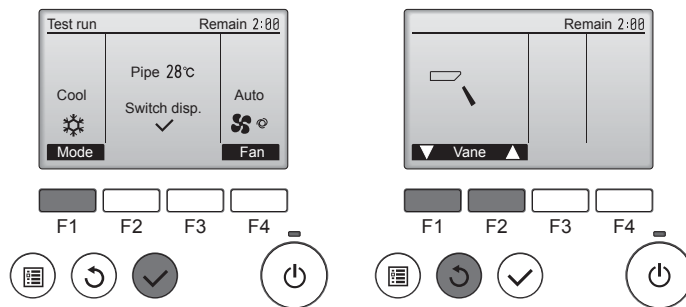


Fig. 7-5

Fig. 7-6

7.2.2. Με ασύρματο τηλεχειριστήριο (Fig. 7-7)

- ① Τροφοδοτήστε με ρεύμα τη μονάδα τουλάχιστον 12 ώρες πριν τη δοκιμαστική λειτουργία.
- ② Πιέστε το κουμπί [TEST RUN] (ΕΛΕΓΧΟΣ) δύο φορές συνεχόμενα.
 (Εκτελέστε αυτή τη λειτουργία όταν η οθόνη του τηλεχειριστηρίου είναι σβηστή.)
 Ⓐ Εμφανίζεται η ένδειξη [TEST RUN] (δοκιμαστική λειτουργία) και ο τρόπος λειτουργίας της στιγμής εκείνης.
- ③ Πατήστε το κουμπί με την ένδειξη [MODE] (☼ ☼ ☼ ☼ ☼) (τρόπος λειτουργίας) για να ενεργοποιηθεί η λειτουργία κλιματισμού cool ☼ (ψύξη) και στη συνέχεια ελέγξτε εάν βγαίνει κρύος αέρας από τη μονάδα.
- ④ Πατήστε το κουμπί με την ένδειξη [MODE] (☼ ☼ ☼ ☼ ☼) (τρόπος λειτουργίας) για να ενεργοποιηθεί η λειτουργία κλιματισμού heat ☼ (θέρμανση) και στη συνέχεια ελέγξτε εάν βγαίνει ζεστός αέρας από τη μονάδα.
- ⑤ Πατήστε το κουμπί [FAN] (ανεμιστήρας) και ελέγξτε εάν αλλάζει η ταχύτητα του ανεμιστήρα.
- ⑥ Πατήστε το κουμπί με την ένδειξη [VANE] (πτερύγια) και ελέγξτε εάν λειτουργεί σωστά η αυτόματη διακύμανση της κατεύθυνσης του αέρα.
- ⑦ Πατήστε το κουμπί με την ένδειξη ON/OFF (διακόπτης λειτουργίας) για να σταματήσετε τη δοκιμαστική λειτουργία.

Σημείωση:

- Στρέψτε το τηλεχειριστήριο προς την κατεύθυνση του δέκτη της εσωτερικής μονάδας ενώ εκτελείτε τις ενέργειες ② έως ⑦.
- Δεν είναι δυνατή η επιλογή των λειτουργιών FAN (ανεμιστήρας), DRY (αφύγραση) ή AUTO (αυτόματη λειτουργία).

Índice

1. Precauções de Segurança	93	5. Trabalho de tubagem de drenagem	100
2. Localização da instalação	94	6. Trabalho de electricidade	101
3. Instalação da unidade interior	94	7. Ensaio	104
4. Instalação da tubagem do refrigerante	98		

Nota:
Neste manual de instalação, a frase “Controlo remoto com fio” refere-se ao PAR-32MAA.
Caso necessite de alguma informação sobre o outro controlo remoto, consulte o manual de instalação ou o manual de configuração inicial fornecidos nestas caixas.

1. Precauções de Segurança

- ▶ **Antes de instalar a unidade, leia atentamente as “Precauções de Segurança”.**
- ▶ **Reporte-se ou peça autorização à autoridade responsável pelo fornecimento de energia antes de proceder à ligação deste equipamento ao sistema de alimentação eléctrica.**

⚠ Aviso:
Descreve as precauções a observar para evitar riscos de ferimentos ou morte ao utilizador.

⚠ Cuidado:
Descreve os cuidados a ter para não danificar a unidade.

Após ter concluído a instalação, explique as “Precauções de Segurança”, a utilização e a manutenção da unidade ao cliente, de acordo com as informações do Manual de Funcionamento, e efectue um ensaio para verificar se a unidade está a funcionar correctamente. O Manual de Instalação e o Manual de Funcionamento devem ser fornecidos ao utilizador, para que este os guarde. Os referidos manuais deverão ser fornecidos a utilizadores futuros.

- ⚡ : Indica uma acção a evitar.
- ⚠ : Indica a existência de instruções importantes a seguir.
- ⚡ : Indica uma peça a ligar à terra.
- ⚠ : Indica que se deve ter cuidado com as peças rotativas.
- ⚡ : Indica que o interruptor principal deve ser desligado antes de proceder à manutenção.
- ⚡ : Perigo de choques eléctricos.
- ⚠ : Atenção à superfície quente.
- ⚡ ELV : Ao proceder à manutenção, desligue a fonte de energia tanto na unidade interior como na unidade exterior.

⚠ Aviso:
Leia atentamente os rótulos afixados na unidade principal.

- ⚠ Aviso:**
- Peça ao seu concessionário ou a um electricista qualificado que instale o ar condicionado.
 - O utilizador nunca deve tentar reparar a unidade ou transferi-la para uma outra localização.
 - Instale a unidade num local que suporte o seu peso.
 - Utilize apenas os cabos eléctricos indicados. As ligações devem ser efectuadas de modo seguro e sem tensão nos terminais. Do mesmo modo, nunca una os cabos para ligação (salvo especificado em contrário neste documento). A inobservância destas instruções pode resultar num sobreaquecimento ou num incêndio.
 - Utilize só acessórios autorizados pela Mitsubishi Electric e peça ao seu distribuidor ou a uma empresa autorizada que os instale.
 - Não toque nas palhetas de refrigeração do permutador de calor.
 - Instale o ar condicionado de acordo com o presente Manual de instruções.
 - Peça a um electricista qualificado que proceda a todos os trabalhos de electricidade em conformidade com as normas locais.
 - O dispositivo será instalado de acordo com os regulamentos nacionais de instalações eléctricas.
 - No caso de danificação do cabo de alimentação, este deve ser substituído

- pelo fabricante, agente de assistência ou pessoas de qualificação semelhante para evitar um perigo.
- Se instalar o ar condicionado num compartimento pequeno, deverá tirar medidas por forma a evitar que a concentração do refrigerante exceda o limite de segurança, mesmo que ocorram fugas de refrigerante.
- As peças perfuradas com face cortante podem provocar ferimentos por corte, etc. É necessário que as pessoas que fazem a instalação usem equipamento de protecção, como luvas, etc.
- Ao instalar ou mudar o aparelho de ar condicionado de sítio, utilize apenas o refrigerante especificado (R410A) para carregar as linhas de refrigerante. Não o misture com qualquer outro refrigerante e assegure-se de que não fica ar nas linhas.
Se o ar for misturado com o refrigerante, tal pode causar uma pressão alta anómala na linha do refrigerante, o que pode resultar numa explosão e outros perigos.
O uso de qualquer refrigerante diferente do especificado para o sistema causará uma falha mecânica ou avaria do sistema ou falta da unidade. No pior dos casos, isto pode comprometer seriamente a segurança do produto.

- ⚠ Cuidado:**
- Não utilize a tubagem de refrigeração existente quando estiver a utilizar o refrigerante R410A.
 - Utilize óleo de éster, óleo ou alquilbenzeno (pequenas quantidades) como óleo de refrigerador para revestir as ligações de afunilamento e de flange quando utilizar o refrigerante R410A.
 - Não utilize o ar condicionado em compartimentos onde permaneçam alimentos, animais domésticos, plantas, instrumentos de precisão ou obras de arte.
 - Não utilize ar condicionado em ambientes especiais.
 - Ligue a unidade à terra.

- Se for necessário, instale um disjuntor de fugas de corrente.
- Utilize cabos eléctricos de capacidade e potência nominal suficientes.
- Utilize unicamente um disjuntor ou fusível com a capacidade indicada.
- Não toque nos interruptores com os dedos molhados.
- Não toque na tubagem de refrigeração durante e imediatamente após o seu funcionamento.
- Não utilize o ar condicionado com os painéis e resguardos retirados.
- Não desligue imediatamente a electricidade depois de terminar a operação.

2. Localização da instalação

■ PKFY-P-VKM-E

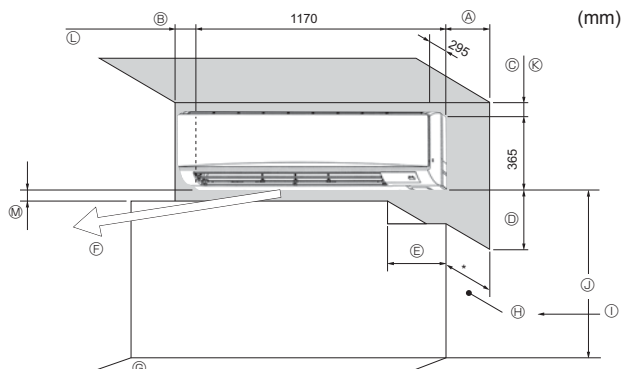


Fig. 2-1

2.1. Dimensões globais (Unidade interior) (Fig. 2-1)

Selecione um lugar adequado que torne possível os seguintes espaços para instalação e manutenção.

■ PKFY-P-VKM-E

(mm)

A	B	C	D	E
Mín. 100,5	Mín. 52,3	Mín. 48	Mín. 250	Mín. 220

- Ⓕ Saída de ar: Não coloque qualquer obstáculo a menos de 1500 mm da saída de ar.
- Ⓖ Superfície do chão
- Ⓗ Móvel
- Ⓘ Se a dimensão da projecção de um varão de cortina ou outra coisa semelhante for superior a 60 mm, tem de deixar uma distância maior porque o ar da ventoinha pode provocar um ciclo curto.
- Ⓢ 1800 mm ou mais a partir do chão (para uma montagem num local alto)
- Ⓚ 108 mm ou mais com tubagem esquerda ou posterior esquerda e instalação de bomba de drenagem opcional
- Ⓛ 550 mm ou mais com a instalação da bomba de drenagem opcional
- Ⓜ Mínimo 7 mm: 265 mm ou mais com a instalação da bomba de drenagem opcional

3. Instalação da unidade interior

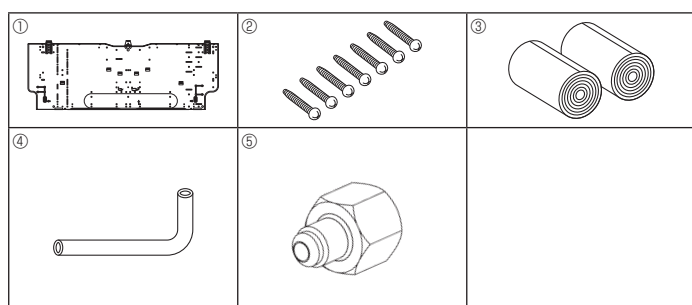


Fig. 3-1

■ PKFY-P-VKM-E

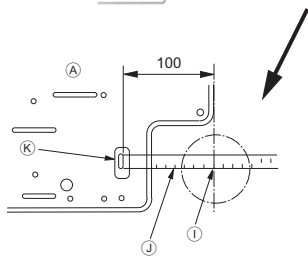
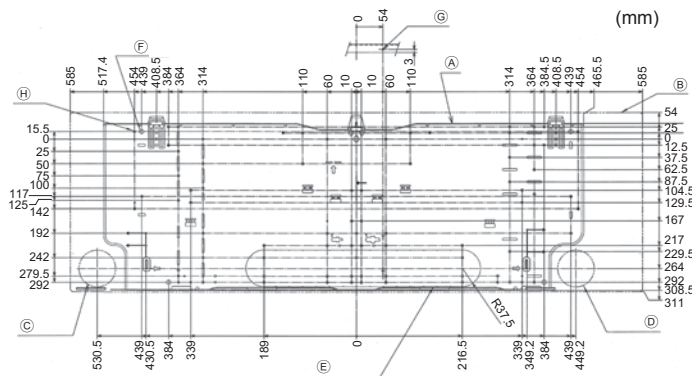


Fig. 3-2

3.1. Verificação dos acessórios da unidade interior (Fig. 3-1)

A unidade interior deve ser fornecida com os seguintes acessórios.

NÚMERO DA PEÇA	ACESSÓRIO	QUANTIDADE		LOCALIZAÇÃO DA FIXAÇÃO
		P63	P100	
①	Placa de montagem	1	1	Fixe na parte de trás da unidade
②	Parafuso roscado 4 x 25	7	7	
③	Fita de feltro	2	2	
④	Tubo de ligação em forma de L	1	1	
⑤	Porca de carregamento	1	1	

3.2. Instalação de uma placa de montagem na parede

3.2.1. Fixe a placa de montagem na parede e as posições da tubagem

► Com a placa de montagem na parede, determine a posição da instalação da unidade e as posições dos furos a efectuar para a tubagem.

⚠ Aviso:

Antes de fazer um furo na parede, consulte o empreiteiro de construção.

■ PKFY-P-VKM-E (Fig. 3-2)

- Ⓐ Placa de montagem ①
- Ⓑ Unidade interior
- Ⓒ Furo do tubo posterior inferior esquerdo (ø75-ø80)
- Ⓓ Furo do tubo posterior inferior direito (ø75-ø80)
- Ⓔ Furo separador para a abertura esquerda traseira (75 x 480)
- Ⓕ Furo do parafuso (4-ø9)
- Ⓖ Furo de medição do centro (ø2,5)
- Ⓗ Furo roscado (75-ø5,1)
- Ⓢ Centro do furo
- Ⓢ Alinhar a escala com a linha.
- Ⓚ Inserir a escala.

3.2.2. Perfuração do furo para a tubagem (Fig. 3-3)

- Use um mandril de alargamento para abrir um furo de 75 a 80 mm de diâmetro na parede na direcção da tubagem, na posição indicada no diagrama à esquerda.
- O furo na parede deve ser inclinado, de modo que a abertura exterior seja mais baixa do que a abertura interior.
- Introduza no furo uma manga (com 75 mm de diâm. e à venda no comércio).

Nota:

O objectivo da inclinação do furo é promover o fluxo de drenagem.

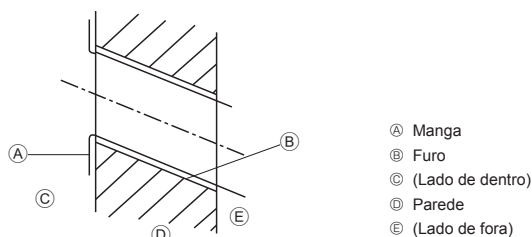


Fig. 3-3

3. Instalação da unidade interior

■ PKFY-P-VKM-E

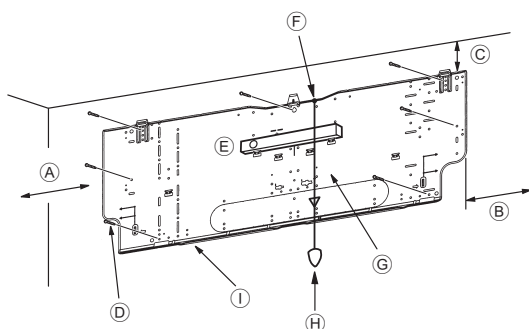


Fig. 3-4

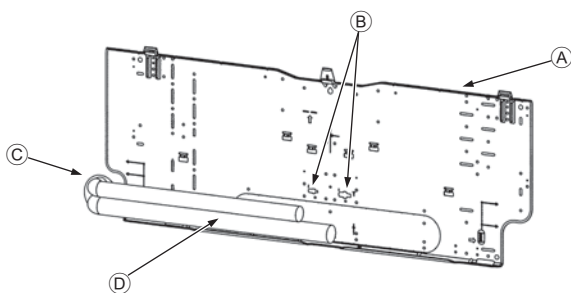


Fig. 3-5

■ PKFY-P-VKM-E

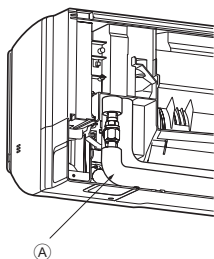


Fig. 3-6

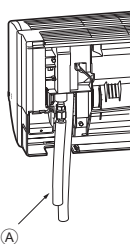


Fig. 3-7



Fig. 3-8

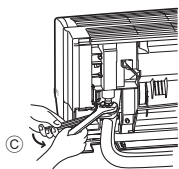


Fig. 3-9

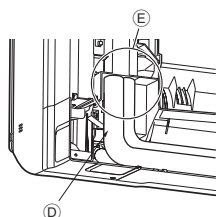


Fig. 3-10

3.2.3. Instalação da placa de montagem na parede

- ▶ Visto que a unidade interior pesa cerca de 22 kg, a selecção do local de montagem requer cuidadosa consideração. Se a parede não parecer suficientemente sólida, reforce-a com tábuas ou vigas antes da instalação.
- ▶ O dispositivo de montagem deve ser fixado nas duas extremidades e no centro, se possível. Nunca a fixe num único ponto nem de maneira não simétrica. (Se possível, fixe o dispositivo em todas as posições indicadas por uma seta escura.)

⚠ Aviso:

Se possível, fixe a placa em todas as posições indicadas por uma seta escura.

⚠ Cuidado:

- A estrutura da unidade deve ser montada horizontalmente.
- Crave nos furos marcados com ▲.

■ PKFY-P-VKM-E (Fig. 3-4)

- Ⓐ Mín. 120 mm (617,6 mm ou mais com a instalação da bomba de drenagem opcional)
- Ⓑ Mín. 220 mm
- Ⓒ Mín. 70 mm (130 mm ou mais com a instalação da bomba de drenagem opcional e a tubagem inferior esquerda, posterior esquerda e esquerda)
- Ⓓ Parafusos de fixação (4 × 25) ②
- Ⓔ Nível
- Ⓕ Aperte a rosca ao furo.
- Ⓖ Coloque o nível encostado à linha de referência horizontal da placa de montagem e monte de maneira a ficar nivelado. Pendure um peso na rosca e alinhe com ∇ EPK da placa de montagem para permitir o nivelamento.
- Ⓗ Peso
- Ⓛ Placa de montagem ①

3.3. Quando incorporar os tubos na parede (Fig. 3-5)

- Os tubos estão na parte inferior esquerda.
- Quando o tubo do refrigerante, as linhas de ligação internas/externas dos tubos de drenagem etc. tiverem de ser previamente incorporados na parede, os tubos de extrusão podem ter de ser dobrados e o comprimento respectivo alterado para se adaptarem à unidade.
- Utilize as marcações da placa de montagem como referência quando estiver a ajustar o comprimento do tubo do refrigerante incorporado.
- Durante a construção, deixe mais algum espaço para o comprimento dos tubos de extrusão, etc.
- Ⓐ Placa de montagem ①
- Ⓑ Marcação de referência para ligação de afilamento
- Ⓒ Através do furo
- Ⓓ Tubagem no local

3.4. Preparação da unidade interior

- * Verifique anteriormente porque o trabalho de preparação difere em função da direcção de saída das tubagens.
- * Quando dobrar a tubagem, dobre gradualmente mantendo a base da parte de saída da tubagem. (Se dobrar bruscamente pode provocar uma forma incorrecta da tubagem.)

■ PKFY-P-VKM-E

Instalação do tubo de ligação em forma de L ④ Tubagem direita, esquerda e posterior (Fig. 3-6)

1. Retire a porca afunilada e a tampa da unidade interior. (Apenas tubo de gás)
 2. Aplique óleo de máquina refrigerante em toda a superfície de encaixe de afilamento. (Preparação no local)
 3. Virado na direcção em que o tubo de ligação em forma de L ④ irá ser removido, faça rapidamente a ligação à abertura de ligação de afilamento da unidade interior.
 4. Aperte a porca afunilada utilizando duas chaves de bocas. (Fig. 3-9)
Binário de aperto: 68 a 82 N·m
 5. Instale a porca de carregamento ⑤ na parte de união do lado do tubo do líquido e verifique se há fugas na parte de união do tubo de ligação em forma de L ④. Retire a porca de carregamento ⑤ depois de terminar o trabalho.
Binário de aperto: 34 a 42 N·m
 6. Tape a parte de ligação de afilamento com a tampa do tubo de ligação em forma de L ④ para não ficar à vista. (Fig. 3-10)
- Ⓐ Tubo de ligação em forma de L ④
 - Ⓑ Posição de corte (Parte a direito do tubo)
 - Ⓒ Direcção de aperto
 - Ⓓ Tapar com a tampa do tubo
 - Ⓔ Tape a parte de ligação da porca afunilada com a tampa do tubo.

Tubagem inferior (Fig. 3-7)

1. Corte o tubo de ligação em forma de L ④ na posição indicada na (Fig. 3-8).
2. Introduza a porca afunilada que retirou, no lado a direito do tubo de ligação em forma de L ④ e depois afunile a extremidade do tubo.
3. Retire a porca afunilada e a tampa da unidade interior. (Apenas tubo de gás)
4. Aplique óleo de máquina refrigerante em toda a superfície de encaixe de afilamento. (Preparação no local)
5. Ligue rapidamente o tubo de ligação em forma de L ④ que executou, como descrito na parte 2) à abertura de ligação de afilamento da unidade interior.
6. Aperte a porca afunilada utilizando duas chaves de bocas. (Fig. 3-9)
Binário de aperto: 68 a 82 N·m
7. Instale a porca de carregamento ⑤ na parte de união do lado do tubo do líquido e verifique se há fugas na parte de união do tubo de ligação em forma de L ④. Retire a porca de carregamento ⑤ depois de terminar o trabalho.
Binário de aperto: 34 a 42 N·m
8. Tape a parte de ligação de afilamento com a tampa do tubo de ligação em forma de L ④ para não ficar à vista. (Fig. 3-10)

3. Instalação da unidade interior

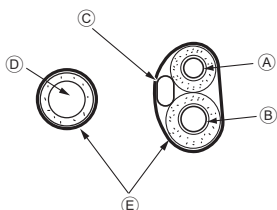


Fig. 3-11

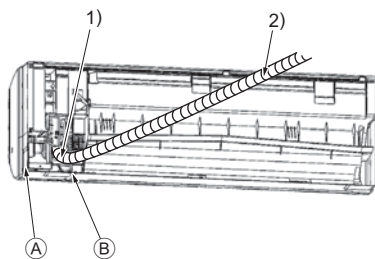


Fig. 3-12

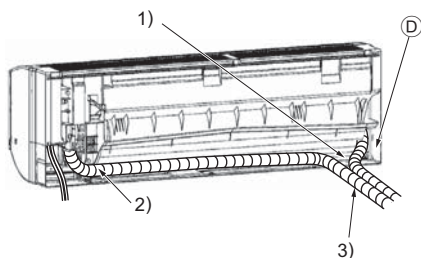
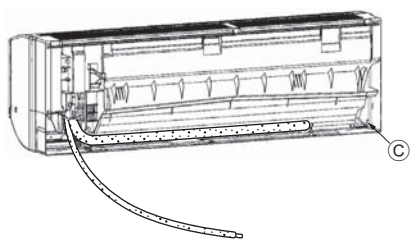


Fig. 3-13

Verificação de fugas na parte da união do tubo de ligação em forma de L

1. Fixe a porca de carregamento ⑤ à parte da união do lado do tubo do líquido.
Binário de aperto: 34 a 42 N·m
2. Pressurize enchendo com gás de nitrogénio a partir da porca de carregamento. Não pressurize até a pressão ficar constante de uma só vez. Pressurize gradualmente.
 - 1) Pressurizzare a 0,5 MPa (5 kgf/cm²G), attendere cinque minuti ed accertarsi che la pressione non scenda.
 - 2) Pressurizzare a 1,5 MPa (15 kgf/cm²G), attendere cinque minuti ed accertarsi che la pressione non scenda.
 - 3) Pressurizzare a 4,15 MPa (41,5 kgf/cm²G), attendere cinque minuti e misurare la temperatura circostante e la pressione del refrigerante.
3. Se la pressione specificata viene mantenuta per circa un giorno senza diminuire, significa che i tubi hanno superato la prova e non ci sono perdite.
 - Se la temperatura circostante cambia di 1°C, la pressione tende a cambiare di circa 0,01 MPa (0,1 kgf/cm²G). Apportare le modifiche necessarie.
4. Un calo di pressione nelle fasi (2) o (3) indica una perdita di gas. Cercare le cause della perdita.

Extracção e execução da instalação da tubagem e dos cabos eléctricos (Fig. 3-11)

1. Ligação dos cabos eléctricos interiores/exteriores ⇒ Consultar a página. 99.
2. Enrole a fita de feltro ③ na parte da tubagem de refrigerante e da tubagem de drenagem que ficarão dentro do espaço das tubagens da unidade interior.
 - Enrole bem a fita de feltro ③ a partir da base de cada uma das tubagens do refrigerante e da mangueira de drenagem.
 - Sobreponha a fita de feltro ③ até meio da largura da fita.
 - Fixe a extremidade de enrolamento com fita de vinil.

- Ⓐ Tubo de líquido
- Ⓑ Tubo de gás
- Ⓒ Cabo de ligação interior/externo
- Ⓓ Mangueira de drenagem
- Ⓔ Fita de feltro ③

3. Tenha cuidado para que a mangueira de drenagem não fique levantada e não esteja em contacto com a caixa da unidade interior.
Não puxe a mangueira de drenagem à força pois pode soltar-se.

Tubagem posterior, direita e inferior (Fig. 3-12)

- 1) Tenha cuidado para que a mangueira de drenagem não fique levantada e não esteja em contacto com a caixa da unidade interior.
Instale a mangueira de drenagem no lado de baixo da tubagem e revista-a com fita de feltro ③.
- 2) Enrole bem a fita de feltro ③ começando pela base. (Sobreponha a fita de feltro até meio da largura da fita.)
 - Ⓐ Corte para a tubagem direita.
 - Ⓑ Corte para a tubagem inferior.

Tubagem esquerda e posterior esquerda (Fig. 3-13)

4. Substituição da mangueira de drenagem ⇒ Consultar 6. Trabalho de tubagem de drenagem
Tem de substituir a mangueira e a tampa de drenagem das tubagens esquerda e inferior esquerda. Se se esquecer de instalar ou de substituir estas peças podem ocorrer fugas de água.
 - Ⓒ Tampa de drenagem
- 1) Tenha cuidado para que a mangueira de drenagem não fique levantada e não esteja em contacto com a caixa da unidade interior.
- 2) Enrole bem a fita de feltro ③ começando pela base. (Sobreponha a fita de feltro até meio da largura da fita.)
- 3) Fixe a extremidade da fita de feltro ③ com fita de vinil.
 - Ⓓ Corte para a tubagem esquerda.

3. Instalação da unidade interior

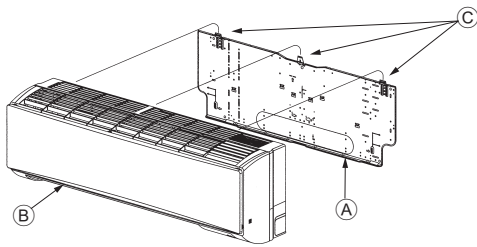


Fig. 3-14

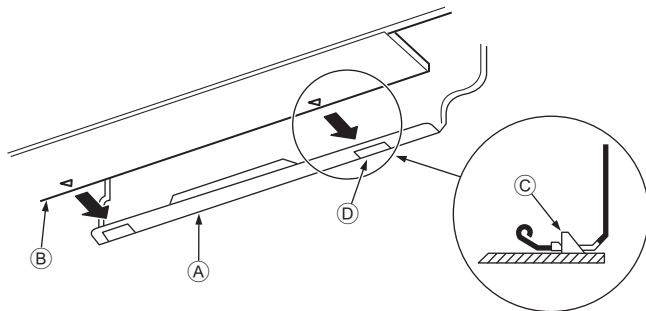


Fig. 3-15

■ PKFY-P-VKM-E

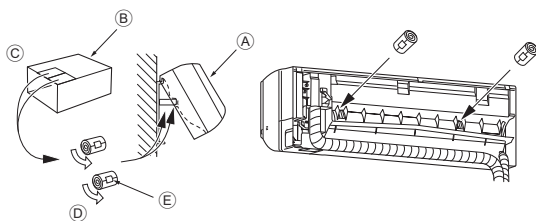


Fig. 3-16

3.5. Montagem da unidade interior

1. Pendre a placa de montagem ① na parede.
2. Pendure a unidade interior no gancho localizado na parte superior da placa de montagem.

Tubagem posterior, direita e inferior (Fig. 3-14)

3. Enquanto introduz a tubagem do refrigerante e a mangueira de drenagem no furo da parede (bucha), pendure a parte superior da unidade interior na placa de montagem ①.
 4. Mova a unidade interior para a direita e a esquerda e verifique se a unidade interior está pendurada com segurança.
 5. Fixe empurrando a parte inferior da unidade interior para dentro da placa de montagem ①. (Fig. 3-15)
- * Verifique se os botões da parte inferior da unidade interior estão bem presos à placa de montagem ①.
6. Depois da instalação, verifique se a unidade interior está instalada nivelada.

- ① Placa de montagem
- ② Unidade interior
- ③ Gancho
- ④ furo quadrado

Tubagem esquerda e posterior esquerda (Fig. 3-16)

3. Enquanto introduz a mangueira de drenagem no furo da parede (bucha), pendure a parte superior da unidade interior na placa de montagem ①. Tendo em consideração o armazenamento da tubagem, mova a unidade completamente para o lado esquerdo e depois corte parte da caixa de embalagem e enrole-a em forma de cilindro, como se mostra no diagrama. Pendure na estria da superfície posterior como separador e levante a unidade interior.
 4. Ligue a tubagem do refrigerante à tubagem do refrigerante do lado das instalações.
 5. Fixe empurrando a parte inferior da unidade interior para dentro da placa de montagem ①.
- * Verifique se os botões da parte inferior da unidade interior estão bem presos à placa de montagem ①.
6. Depois da instalação, verifique se a unidade interior está instalada nivelada.

- ① Unidade interior
- ② Caixa de embalagem
- ③ Corte
- ④ Enrole em forma de cilindro
- ⑤ Fixe com fita

4. Instalação da tubagem do refrigerante

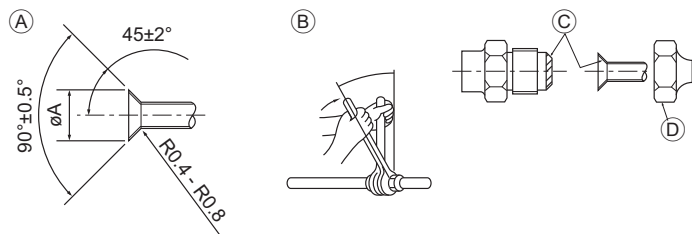


Fig. 4-1

Ⓐ Dimensões do corte de afunilamento

Tubo de cobre O.D. (mm)	Dimensões de afunilamento øA dimensões (mm)
ø9,52	12,8 - 13,2
ø15,88	19,3 - 19,7
ø19,05	22,9 - 23,3

Ⓑ Tamanhos do tubo de refrigerante e binário de aperto da porca afunilada

Ⓒ Não aplique óleo de máquina refrigerante nas partes do parafuso.

(Isso fará com que as porcas afuniladas tenham mais tendência a ficar desapertadas.)

Ⓓ Certifique-se de que está a utilizar as porcas afuniladas que vinham presas à unidade principal.

(A utilização de produtos à venda no mercado pode provocar rachas.)

	R410A				Porca afunilada O.D.	
	Tubo de líquido		Tubo de gás		Tubo de líquido (mm)	Tubo de gás (mm)
	Tamanho do tubo (mm)	Binário de Aperto (N·m)	Tamanho do tubo (mm)	Binário de Aperto (N·m)		
P63	ODø9,52	34 - 42	ODø15,88	68 - 82	22	29
P100	ODø9,52	34 - 42	ODø15,88	68 - 82	22	29

Ⓔ Aplique óleo de máquina refrigerante em toda a superfície de encaixe de afunilamento.

■ PKFY-P-VKM-E

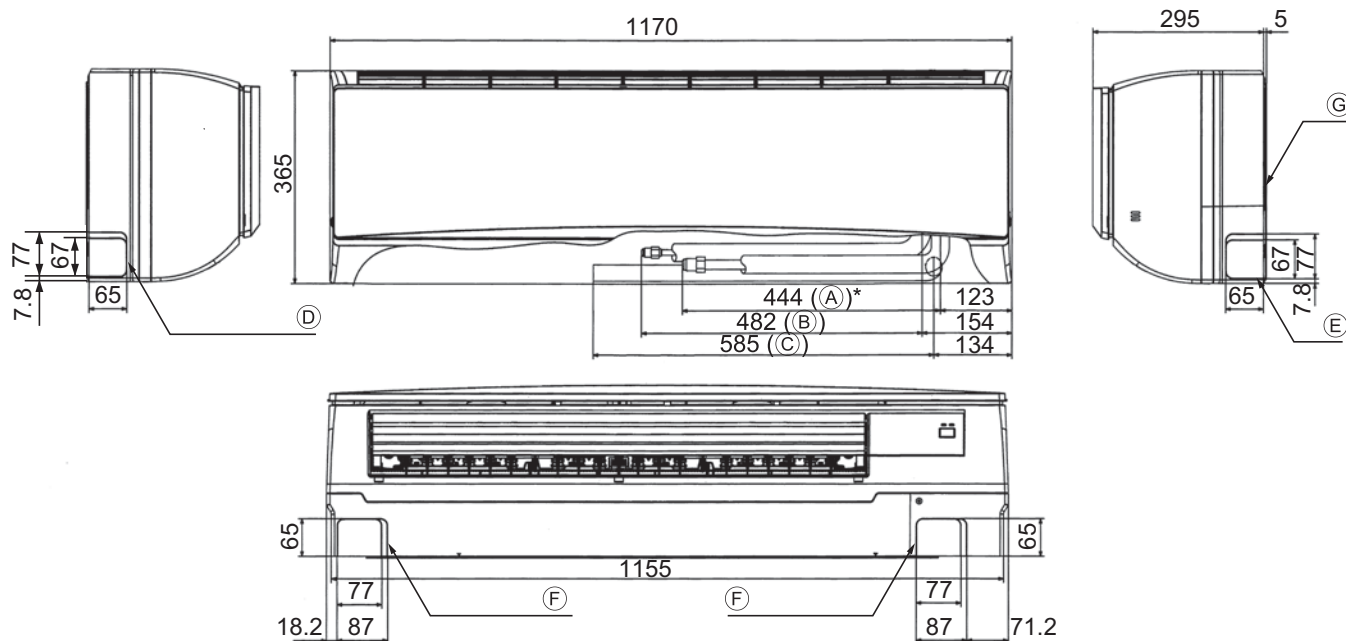


Fig. 4-2

4.1. Tubos de ligação (Fig. 4-1)

- Se forem utilizados tubos de cobre comercialmente disponíveis, limpe os tubos de líquido e de gás com materiais de isolamento comercialmente disponíveis (resistentes ao calor de 100 °C ou mais, com uma espessura de 12 mm ou mais).
- As peças internas do tubo de drenagem devem ser limpas com materiais de isolamento de espuma de polietileno (gravidade específica de 0,03 de espessura de 9 mm ou mais).
- Aplique uma fina camada de óleo refrigerante ao tubo e à superfície de costura da junta antes de apertar a porca do tubo.
- Aperte os tubos de ligação com duas chaves.
- Use o isolamento da tubagem de refrigerante fornecido para isolar as ligações da unidade interior. Isole cuidadosamente.

⚠ **Aviso:**

Quando instalar a unidade, ligue os tubos de refrigerante firmemente antes de ligar o compressor.

4.2. Colocação das tubagens de refrigerante e de drenagem (Fig. 4-2)

■ PKFY-P-VKM-E

- Ⓐ Tubo de gás * Indica o estado com os acessórios montados.
- Ⓑ Tubo de líquido
- Ⓒ Mangueria de drenagem
- Ⓓ Furo separador da tubagem do lado esquerdo
- Ⓔ Furo separador da tubagem do lado direito
- Ⓕ Furo separador da tubagem inferior
- Ⓖ Placa de montagem ①

4. Instalação da tubagem do refrigerante

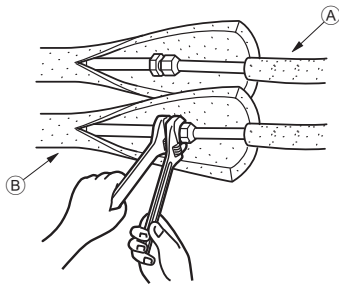


Fig. 4-3

■ PKFY-P-VKM-E

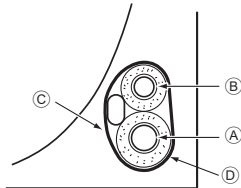


Fig. 4-4

4.3. Trabalho de instalação da tubagem de refrigerante (Fig. 4-3)

Unidade interior

1. Retire a porca afunilada e a tampa da unidade interior.
2. Crie um afunilamento para o tubo de líquido e o tubo de gás, e aplique óleo de refrigeração de máquina (disponível no seu fornecedor local) à superfície da chapa afunilada.
3. Ligue de imediato os tubos do refrigerante locais à unidade.
4. Envolve o revestimento do tubo do gás e certifique-se de que o ponto de união não é visível.
5. Envolve o revestimento do tubo de líquido da unidade e certifique-se de que cobre o material de isolamento do tubo de líquido local.
6. O ponto de junção do material isolante é selado por revestimento.
 - A Tubagem do refrigerante do lado das instalações
 - B Tubagem do refrigerante do lado da unidade

4.3.1. Guardar no espaço da tubagem da unidade (Fig. 4-4)

1. Enrole a fita de feltro fornecida na parte da tubagem do refrigerante que vai ficar dentro do espaço das tubagens da unidade para evitar fugas de água.
2. Sobreponha a fita de feltro até meio da largura da fita.
3. Fixe a extremidade do revestimento com fita de vinil, etc.
 - A Tubo de gás
 - B Tubo de líquido
 - C Cabo de ligação interior/externo
 - D Fita de feltro

5. Trabalho de tubagem de drenagem

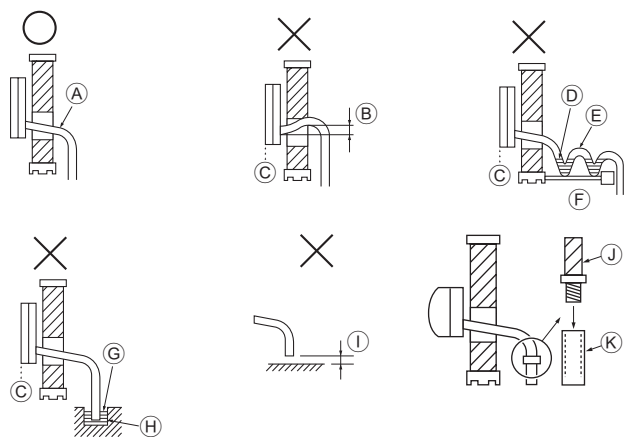


Fig. 5-1

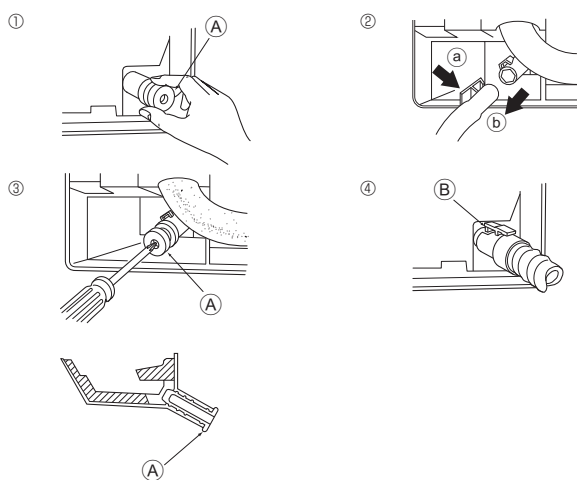


Fig. 5-2

■ PKFY-P-VKM-E

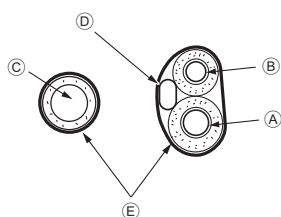


Fig. 5-3

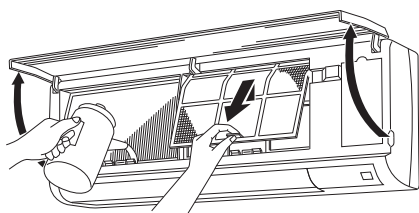


Fig. 5-4

5.1. Trabalho de tubagem de drenagem (Fig. 5-1)

- Os tubos de drenagem devem ter uma inclinação de 1/100 ou mais.
- Para extensão do tubo de drenagem, utilize uma mangueira mole (15 mm de diâm. interno) à venda no mercado ou um tubo de cloreto de vinilo rígido (VP-16/Tubo PVC, O.D. Ø22). Assegure-se de que não há fugas de água nas uniões.
- Não coloque a tubagem de drenagem directamente instalados e isolados, onde possa ser gerado gás sulfúrico.
- Quando terminar o trabalho de instalação da tubagem, certifique-se de que corre água pela ponta do tubo de drenagem.

⚠ Cuidado:

O tubo de drenagem deve ser instalado de acordo com o presente Manual de Instalação para garantir a drenagem correcta. Para impedir a formação de condensação, é necessária a isolamento térmico dos tubos de drenagem. Se os tubos de drenagem não forem convenientemente instalados e isolados, podem aparecer gotas de condensação no tecto, no chão ou em peças do mobiliário.

- Ⓐ Inclinação para baixo
- Ⓑ Tem de estar mais baixa do que o ponto de saída
- Ⓒ Fuga de água
- Ⓓ Drenagem com sifão
- Ⓔ Ar
- Ⓕ Ondulada
- Ⓖ A extremidade do tubo de drenagem está debaixo de água.
- Ⓗ Vala de drenagem
- Ⓛ 5 cm ou menos entre a extremidade do tubo de drenagem e o chão.
- Ⓜ Mangueira de drenagem
- Ⓝ Mangueira de PVC flexível (Diâmetro interno 15 mm) ou
Tubo em PVC rígido (VP-16)
* Preso com adesivo tipo PVC

Preparação da tubagem esquerda e posterior esquerda (Fig. 5-2)

- Retire a tampa de drenagem.
- Retire a tampa de drenagem, segurando a parte que se prolonga na extremidade do tubo e puxando.
 - Ⓐ Tampa de drenagem
- Retire a mangueira de drenagem.
 - Ⓐ Retire a mangueira de drenagem, segurando a base da mesma Ⓜ (indicada pela seta) e puxando para si.
- Insira a tampa de drenagem.
 - Insira uma chave de fenda, etc. no orifício da extremidade do tubo e certifique-se de que empurra para a base da tampa de drenagem.
 - Insira a mangueira de drenagem.
 - Empurre a mangueira de drenagem até a mesma alcançar a base da saída da ligação da caixa de drenagem.
 - Certifique-se de que o engate da mangueira de drenagem está devidamente fixo sobre a saída da ligação da caixa de drenagem.
 - Ⓑ Engates

◆ Guardar no espaço da tubagem da unidade interior (Fig. 5-3)

- * Quando a mangueira de drenagem for direccionada para o interior, revista-a com um material isolante à venda no mercado.
- * Junte a mangueira de drenagem e a tubagem do refrigerante e enrole-os com a fita de feltro fornecida Ⓝ.
- * Sobreponha a fita de feltro Ⓝ até metade da largura da fita.
- * Fixe a extremidade de enrolamento com fita de vinil, etc.

- Ⓐ Tubo de gás
- Ⓑ Tubo de líquido
- Ⓒ Mangueira de drenagem
- Ⓓ Cabos de ligação interiores/exteriores
- Ⓔ Fita de feltro Ⓝ

◆ Verificação da drenagem (Fig. 5-4)

- Abra a grelha frontal e retire o filtro.
- Virado para as palhetas do permutador de calor, enche devagar com água.
- Depois de verificar a drenagem, monte o filtro e feche a grelha.

6. Trabalho de electricidade

■ PKFY-P-VKM-E

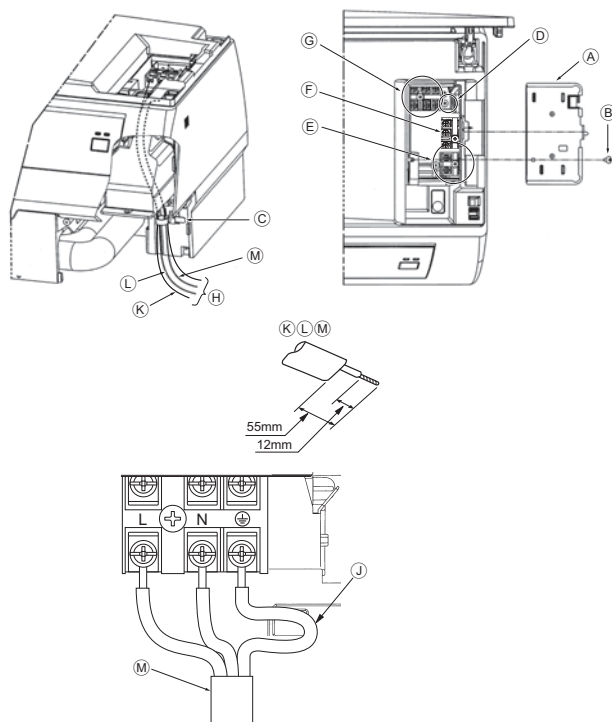


Fig. 6-1

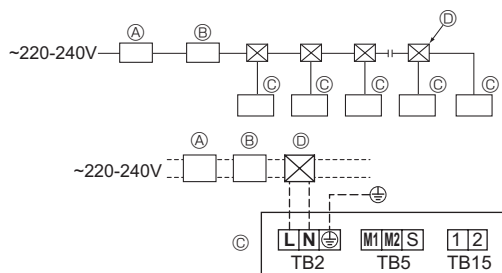


Fig. 6-2

6.1. Trabalho de electricidade

■ PKFY-P-VKM-E (Fig. 6-1)

Pode fazer a ligação sem retirar o painel frontal.

1. Abra a grelha frontal, retire o parafuso (1) e retire a tampa das peças eléctricas.
 2. Ligue correctamente cada um dos fios à placa de terminais.
- * Tendo em consideração a manutenção deixe mais algum espaço para o comprimento de cada um dos fios.
- * Tenha cuidado se utilizar fios trançados, visto que as pontas podem provocar um curto-circuito na cablagem.
3. Volte a instalar as peças que retirou como estavam.
 4. Fixe cada um dos fios com o gancho por baixo da caixa das peças eléctricas.

- Ⓐ Tampa da caixa eléctrica
- Ⓑ Parafuso de fixação
- Ⓒ Grampo
- Ⓓ Parte da ligação do fio de terra
- Ⓔ Placa de terminais do controlo remoto MA: (1, 2) não têm polaridade
- Ⓕ Placa de terminais de transmissão: (M1, M2, S) não têm polaridade
- Ⓖ Placa de terminais de alimentação (Fase, Neutro, Terra)
- Ⓗ Condutor
- Ⓙ Parte da ligação do fio de terra: Ligue o fio de terra na direcção ilustrada no diagrama.
- Ⓚ Cabo do controlo remoto
- Ⓛ Cabo de transmissão
- Ⓜ Cabo de alimentação

6.2. Cablagem de alimentação

- A dimensão da cablagem deve estar em conformidade com as regulamentações nacionais e locais aplicáveis.
- O cabo de alimentação do aparelho não deve ser inferior ao tipo 245 IEC 53 ou 227 IEC57, 245 IEC 53 ou 227 IEC 53.
- Instale uma linha de terra mais comprida do que os outros cabos.
- A instalação do ar condicionado deve incluir a instalação de um interruptor com uma distância mínima de separação entre contactos em cada pólo de 3 mm.

[Fig.6-2]

- Ⓐ Interruptor diferencial
- Ⓑ Interruptor/disjuntor local
- Ⓒ Unidade interior
- Ⓓ Caixa de derivação

⚠ Aviso:

Nunca una o cabo de alimentação ou o cabo de ligação interior-exterior, caso contrário pode resultar em fumo, incêndio ou uma falha de comunicação.

6. Trabalho de electricidade

Corrente total de funcionamento da unidade interior	Secção mínima dos cabos (mm ²)			Interruptor diferencial *1	Interruptor local (A)		Disjuntor de alimentação (NFB)
	Cabo de alimentação	Derivação	Terra		Calibre	Fusíveis	
F0 = 16 A ou menos *2	1,5	1,5	1,5	Corrente nominal de 20 A *3	16	16	20
F0 = 25 A ou menos *2	2,5	2,5	2,5	Corrente nominal de 30 A *3	25	25	30
F0 = 32 A ou menos *2	4,0	4,0	4,0	Corrente nominal de 40 A *3	32	32	40

Compatível com IEC61000-3-3 de acordo com a impedância máxima permitida do sistema.

*1 O interruptor diferencial deve ser compatível com circuitos contendo onduladores.

O interruptor diferencial deve combinar a utilização de um interruptor local ou disjuntor de alimentação.

*2 Considere os valores máximos de F1 ou F2 como o valor para F0.

F1 = Corrente total máxima de funcionamento das unidades interiores × 1,2

F2 = {V1 × (quantidade do Tipo 1)/C} + {V1 × (quantidade do Tipo 2)/C} + {V1 × (quantidade do Tipo 3)/C} + {V1 × (quantidade de outras)/C}

Unidade interior		V1	V2
Tipo 1	PLFY-VBM, PMFY-VBM, PEFY-VMS, PFFY-VKM, PCFY-VKM, PKFY-VHM, PKFY-VKM, PLFY-VCM	18,6	2,4
Tipo 2	PEFY-VMA	38	1,6
Tipo 3	PEFY-VMHS	13,8	4,8
Outras	Outras unidades interiores	0	0

C: múltiplo da corrente de disparo para um tempo de disparo de 0,01 segundos

Selecione "C" nas características de disparo do disjuntor.

<Exemplo de cálculo de "F2">

*Condição PEFY-VMS × 4 + PEFY-VMA × 1, C = 8 (consulte a tabela do lado direito)

$$F2 = 18,6 \times 4/8 + 38 \times 1/8$$

$$= 14,05$$

→ Disjuntor de 16 A (corrente de disparo = 8 × 16 A a 0,01 segundos)

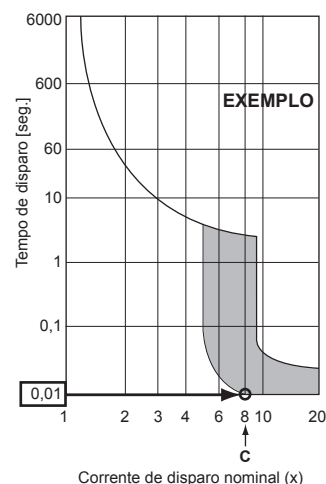
*3 A corrente nominal é calculada utilizando a seguinte fórmula.

$$G1 = V2 \times (\text{quantidade do Tipo 1}) + V2 \times (\text{quantidade do Tipo 2}) + V2 \times (\text{quantidade do Tipo 3}) + V2 \times (\text{quantidade de outras}) + V3 \times (\text{comprimento do cabo [km]})$$

G1	Corrente de disparo
30 ou menos	30 mA, 0,1 segundos ou menos
100 ou menos	100 mA, 0,1 segundos ou menos

Secção do cabo	V3
1,5 mm ²	48
2,5 mm ²	56
4,0 mm ²	66

Tabela de exemplo



6.3. Tipos de cabos de controlo

1. Cabos de transmissão da ligação eléctrica

Tipos de cabo de transmissão	Fio blindado CVVS ou CPEVS
Diâmetro do cabo	Mais de 1,25 mm ²
Comprimento	Menos de 200 m

2. Cabos de controlo remoto M-NET

Tipo do cabo do controlo remoto	Fio blindado MVVS
Diâmetro do cabo	Mais de 0,5 mm a 1,25 mm ²
Comprimento	Qualquer secção até 10 m dentro do comprimento máximo permitido do cabo de transmissão, 200 m.

3. Cabos de controlo remoto MA

Tipo do cabo do controlo remoto	Cabo de 2 núcleos (não blindado)
Diâmetro do cabo	0,3 a 1,25 mm ²
Comprimento	Menos de 200 m

6. Trabalho de electricidade

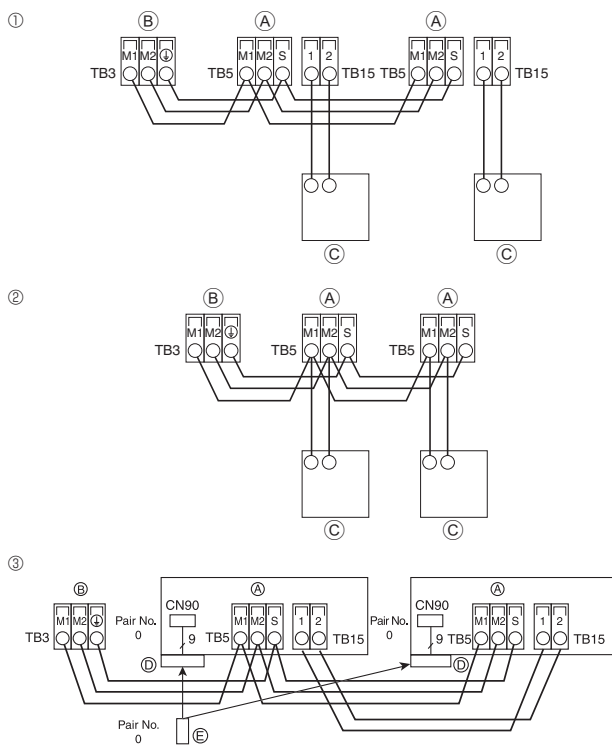


Fig. 6-3

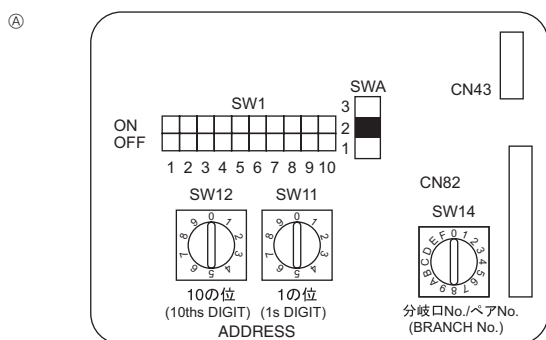


Fig. 6-4

6.4. Ligação dos cabos de transmissão do controlo remoto e das unidades interior e exterior (Fig. 6-3)

- Ligue a unidade interior TB5 e a unidade exterior TB3. (2 fios não polarizados). O "S" da unidade interior TB5 é uma ligação de fio blindado. Veja as especificações sobre os cabos de ligação no manual de instalação da unidade externa.
- Instale o controlo remoto segundo o respectivo manual fornecido.
- Ligue o cabo de transmissão do controlo remoto utilizando cabo de secção de 0,75 mm² se a distância for inferior a 10 m. Se for mais de 10 m, utilize cabo de junção de 1,25 mm².
- ① Controlo remoto MA
 - Ligue o "1" e "2" na unidade interior TB15 para um controlo remoto MA. (2 fios não polarizados)
 - DC 9 a para 13 V entre 1 e 2 (Controlo remoto MA)
- ② Controlo remoto M-NET
 - Ligue o "M1" e "M2" na unidade interior TB5 para um controlo remoto M-NET. (2 fios não-polarizados)
 - DC 24 a 30 V entre M1 e M2 (Controlo remoto M-NET)
- ③ Controlo remoto sem fios (Ao instalar o receptor de sinal sem fios)
 - Ligue o fio do receptor de sinal sem fios (cabo de 9 pólos) a CN90 da placa do controlo interior.
 - Quando existirem mais de duas unidades a funcionar em controlo de grupo utilizando o controlo remoto sem fios, ligue cada número de TB15 ao número correspondente.
 - Para alterar a definição de N° de par, consulte o manual de instalação fornecido com o controlo remoto sem fios. (Na predefinição da unidade interior e do controlo remoto sem fios, o N° de par é 0.)
 - Ⓐ Bloco de terminais para o cabo de transmissão interior
 - Ⓑ Bloco de terminais para o cabo de transmissão exterior (M1(A), M2(B), Ⓢ(S))
 - Ⓒ Controlo remoto
 - Ⓓ Receptor de sinal sem fios
 - Ⓔ Controlo remoto sem fios

6.5. Definição dos endereços (Fig. 6-4)

(Trabalhe sempre com a corrente DESLIGADA.)

- Há dois tipos de regulação de interruptor rotativo: regulação dos endereços de 1 a 9 e mais de 10 e regulação dos números de bifurcação.
 - ① Como definir endereços
 - Exemplo: Se o endereço for "3", manter SW12 (para mais de 10) em "0" e colocar SW11 (de 1 a 9) em "3".
 - ② Como definir números de bifurcação SW14 (apenas para a Série R2)
 - Faça corresponder o tubo de refrigerante da unidade interior ao número de ligação terminal do controlo BC
 - Manter em "0", excepto para a série R2.
- Todos os interruptores rotativos estão colocados em "0" à saída da fábrica. Pode utilizar estes interruptores para definir endereços e números de bifurcação das unidades conforme o pretendido.
- A definição de endereços da unidade interior varia consoante o sistema no local. Consulte o Livro de Dados para os definir.

6.6. Determinar a temperatura ambiente com o sensor incorporado num controlo remoto

Se pretender determinar a temperatura ambiente com o sensor incorporado num controlo remoto, coloque SW1-1 no painel de controlo em "ON". A definição de SW1-7 e SW1-8 conforme necessário possibilita também o ajuste do fluxo de ar quando o termómetro de aquecimento estiver desligado (OFF).

6.7. Características eléctricas

Símbolos: MCA: corrente máxima no circuito (= 1,25 × FLA) FLA: corrente a plena carga
IFM: motor do ventilador interior Potência: potência nominal do motor do ventilador

Modelo	Alimentação			IFM	
	Volts/ Hz	Intervalo +- 10%	MCA (A)	Potência (kW)	FLA (A)
PKFY-P63VKM-E	220-240 V / 50 Hz	Máx.: 264 V Mín.: 198 V	0,36	0,056	0,29
PKFY-P100VKM-E			0,63		

7. Ensaio

7.1. Antes do ensaio

- ▶ Depois de concluir a instalação, a cablagem e a tubagem das unidades interior e exterior, verifique se não há fugas de refrigerante, maus contactos na fonte de alimentação ou na cablagem de controlo, polaridade errada e se não foi desligada qualquer fase na alimentação.
- ▶ Utilize um megóhmetro de 500 V para verificar se a resistência entre os terminais da fonte de alimentação e o solo são de pelo menos 1,0 MΩ.

- ▶ Não execute este ensaio nos terminais da cablagem de controlo (circuito de baixa voltagem).

⚠ **Aviso:**

Não utilize o ar condicionado se a resistência de isolamento for inferior a 1,0 MΩ.

Interface do controlador

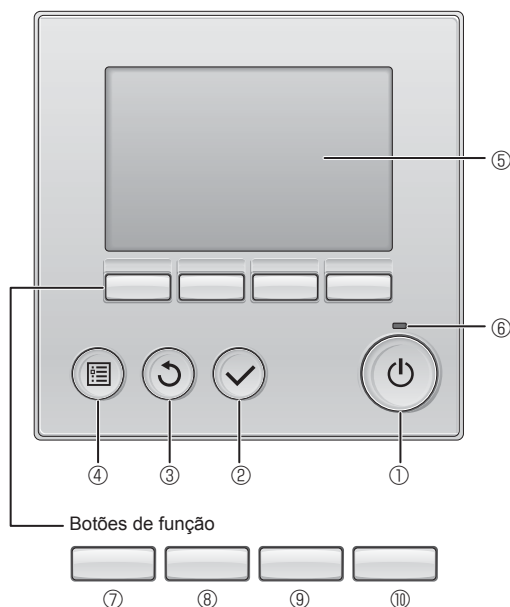


Fig. 7-1

7.2. Ensaio

Estão disponíveis os seguintes 3 métodos.

7.2.1. Utilizar o controlo remoto com fio (Fig. 7-1)

① Botão [ON/OFF]

Prima ON/OFF para ligar/desligar a unidade interna.

② Botão [OK]

Prima para guardar a definição.

③ Botão [VOLTAR]

Prima para voltar ao ecrã anterior.

④ Botão [MENU]

Prima para invocar o Menu principal.

⑤ LCD retroiluminado

As definições de funcionamento irão aparecer.

Quando a retroiluminação estiver desligada, será ligada ao premir qualquer botão e permanecerá acesa durante um determinado período de tempo consoante o ecrã.

Quando a retroiluminação estiver desligada, será ligada ao premir qualquer botão que não desempenhará a respectiva função. (excepto para o botão [ON/OFF])

⑥ Lâmpada ON/OFF

Esta lâmpada fica acesa a verde enquanto a unidade estiver a funcionar. Fica intermitente enquanto o controlador remoto está a ser iniciado ou quando ocorrer um erro.

⑦ Botão de função [F1]

Visor principal: Prima para alterar o modo de funcionamento.

Menu principal: Prima para mover o cursor para baixo.

⑧ Botão de função [F2]

Visor principal: Prima para reduzir a temperatura.

Menu principal: Prima para mover o cursor para cima.

⑨ Botão de função [F3]

Visor principal: Prima para aumentar a temperatura.

Menu principal: Prima para voltar à página anterior.

⑩ Botão de função [F4]

Visor principal: Prima para alterar a velocidade da ventoinha.

Menu principal: Prima para avançar para a página seguinte.

Passo 1 Coloque o controlo remoto em modo "Test run" (Testar funcio.).

- ① Selecciona "Service" (Assistência) no Menu principal e prima o botão [OK].
- ② Quando o Menu de assistência é seleccionado, aparece uma janela a pedir a palavra-passe. (Fig. 7-2) Para introduzir a palavra-passe de manutenção actual (4 dígitos numéricos), mova o cursor para o dígito que pretende alterar utilizando a tecla [F1] ou [F2] e defina cada número (0 a 9) com a tecla [F3] ou [F4]. Em seguida, prima a tecla [OK].

Nota: A palavra-passe de manutenção inicial é "9999". Altere a palavra-passe predefinida consoante necessário para evitar acessos não autorizados. Disponibilize a palavra-passe aos utilizadores que dela necessitem.

Nota: Se se esquecer da sua palavra-passe de manutenção, pode repor a palavra-passe predefinida "9999" mantendo premidas as teclas [F1] e [F2] em simultâneo durante três segundos no ecrã de definição da palavra-passe de manutenção.

- ③ Selecciona "Test run" (Testar funcio.) com o botão [F1] ou [F2] e prima o botão [OK]. (Fig. 7-3)
- ④ Selecciona "Test run" (Testar funcio.) com o botão [F1] ou [F2] e prima o botão [OK]. (Fig. 7-4)

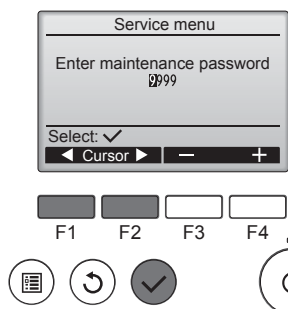


Fig. 7-2

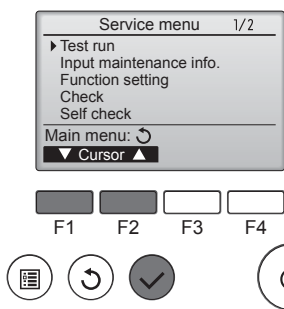


Fig. 7-3

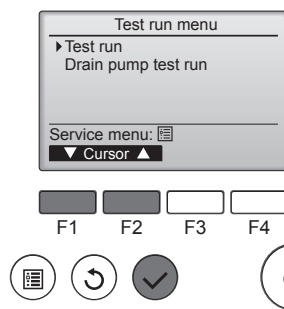


Fig. 7-4

7. Ensaio

Passo 2 Execute o teste de funcionamento e verifique a temperatura do fluxo de ar e a palheta automática.

- ① Prima o botão **[F1]** para ir para os modos de funcionamento pela ordem "Cool" (Frio) e "Heat" (Calor). (Fig. 7-5)
 Modo de refrigeração: Verifique se o ar que sai é frio.
 Modo de aquecimento: Verifique se o ar que sai é quente.
 * Verifique o funcionamento da ventoinha da unidade exterior.
- ② Prima o botão **[✓]** e abra o ecrã de ajuste da palheta.

Verificação da palheta AUTOMÁTICA

- ① Verifique a palheta automática com os botões **[F1]** **[F2]**. (Fig. 7-6)
- ② Prima o botão **[↺]** para regressar ao ecrã "Test run" (Operação Testar funcionamento).
- ③ Prima o botão **[⏻]**.

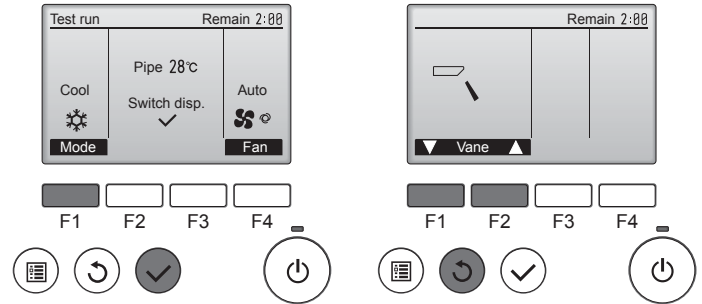


Fig. 7-5

Fig. 7-6

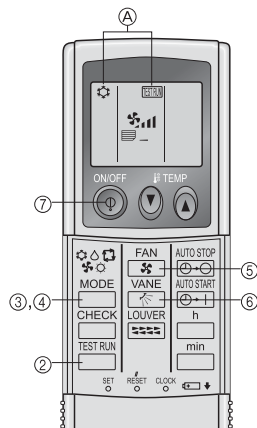


Fig. 7-7

7.2.2. Utilizar o controlo remoto sem fio (Fig. 7-7)

- ① Ligue a alimentação à unidade pelo menos 12 horas antes do ensaio.
- ② Prima o botão **[TEST RUN]** duas vezes continuamente.
 (Inicie esta operação a partir do estado do visor do controlo remoto parado.)
 ① **[TEST RUN]** e o modo de funcionamento em curso aparecem no visor.
- ③ Carregue na tecla **[MODE]** (**[Cool]**) para activar o modo **COOL** e verifique se sai ar frio da unidade.
- ④ Carregue na tecla **[MODE]** (**[Heat]**) para activar o modo **HEAT** e verifique se sai ar quente da unidade.
- ⑤ Prima o botão **[FAN]** e verifique se a velocidade do ventilador altera.
- ⑥ Carregue na tecla **[VANE]** e verifique se a válvula automática funciona correctamente.
- ⑦ Carregue na tecla **[ON/OFF]** para parar o ensaio.

Nota:

- Aponte o controlo remoto para o receptor da unidade interior enquanto segue os passos ② a ⑦.
- Não é possível utilizar os modos **FAN** (ventoinha), **DRY** (desumidificação) ou **AUTO** (automático).

İçindekiler

1. Güvenlik Önlemleri	106	5. Drenaj Tesisatı İşleri	113
2. Montaj yeri	107	6. Elektrik işleri	114
3. İç ünitenin montajı	107	7. Çalışma testi	117
4. Soğutucu borularının monte edilmesi	111		

Not:
Bu kurulum kılavuzundaki "Kablolu uzaktan kumanda" terimi PAR-32MAA anlamına gelmektedir.
Diğer uzaktan kumanda ile ilgili bilgi için lütfen bu kutuların içindeki kurulum kılavuzuna veya başlangıç ayarı kılavuzuna başvurun.

1. Güvenlik Önlemleri

- ▶ Üniteyi monte etmeden önce "Güvenlik Önlemleri"nin hepsini okumalısınız.
- ▶ Bu cihazı güç sistemine bağlamadan önce, güç sağlayıcı kurum ile görüşün ya da onayını alın.

⚠ Uyarı:

Kullanıcı açısından yaralanma veya ölüm tehlikesinin önüne geçmek için alınması gereken önlemleri açıkla.

⚠ Dikkat:

Cihazın hasar görmesini önlemek için alınması gereken önlemleri açıkla.

Montaj tamamlandıktan sonra, Kullanma Kılavuzunda yer alan bilgilere uygun şekilde müşteriye cihazın "Güvenlik Önlemleri" ni, kullanımını ve bakımını açıklayın ve cihazın normal şekilde çalıştığından emin olmak için bir çalışma testi yapın. Hem Montaj Kılavuzu hem de Kullanım Kılavuzu, kullanıcıda kalmak üzere kendisine verilmelidir. Bu kılavuzlar sonraki kullanıcılara da devredilmelidir.

- ⊘ : Kaçınılması gereken hareketleri gösterir.
- ⚠ : Önemli talimatlara mutlaka uymak gerektiğini gösterir.
- ⚠ : Topraklanması gereken parçaları gösterir.
- ⚠ : Dönen parçalara dikkat edilmesi gerektiğini gösterir.
- ⚠ : Bakım yapmaya başlamadan önce ana şalterin kapatılması gerektiğini gösterir.
- ⚠ : Elektrik çarpmasına dikkat edin.
- ⚠ : Sıcak yüzeye dikkat edin.
- ⚠ ELV : Bakım yapacağınız zaman lütfen hem İç Ünitenin hem de Dış Ünitenin elektrik girişini kapatın.

⚠ Uyarı:

Ana üniteye yapıştırılmış olan etiketleri dikkatle okuyunuz.

⚠ Uyarı:

- Satıcıdan veya yetkili bir teknisyenden klimanın montajını yapmasını isteyiniz.
- Kullanıcı kesinlikle üniteyi onarmaya veya başka bir yere taşımaya çalışmamalıdır.
- Üniteyi, ağırlığını kaldıracak bir yere monte edin.
- Kablolama için sadece belirtilen kabloları kullanın. Kabloleme bağlantıları, terminal bağlantılarında hiç gerilim uygulanmadan güvenle yapılmalıdır. Ayrıca kablolama için kabloları hiçbir zaman birbirine bağlamayın (tersi bu belgede belirtilmedikçe). Bu talimatlara uyulmaması aşırı ısınmaya ya da yangına neden olabilir.
- Sadece Mitsubishi Electric'in izin verdiği aksesuarları kullanın ve bunları bayinize veya yetkili teknisyene monte ettirin.
- Isı eşanjörünün kanatçıklarına dokunmayınız.
- Montajı montaj elkitabında belirtildiği gibi gerçekleştirin.
- Elektrikle ilgili her türlü işin ruhsatlı elektrikçi tarafından yerel yönetmeliklere uygun olarak yapılmasını sağlayın.
- Cihaz mutlaka ulusal kablo bağlantı yönetmeliklerine uygun şekilde monte edilmelidir.
- Elektrik kablosu hasar görmüşse, olası tehlikelerin önlenmesi için mutlaka

- üretici, yetkili servis veya benzeri yetkili kişi veya kuruluşlar tarafından değiştirilmelidir.
- Eğer klima cihazı küçük bir odaya kurulacaksa, soğutucu kaçağı olması halinde bile odadaki soğutucu yoğunluğunun güvenlik sınırını aşmasını önlemek üzere önlem alınmalıdır.
- Kesilen yüzeydeki delinen parçalar, kesme vb. yoluyla yaralanmalara yol açabilir. Montajcılar, eldiven vb. koruyucu donanım giymelidirler.
- Klimanın montajını yaparken, yerini değiştirirken veya bakımını yaparken soğutucu hatlarını doldurmak için yalnızca belirtilen soğutucuyu (R410A) kullanın. Bu soğutucuyu diğer soğutucularla karıştırmayın ve hatlarda hava kalmamasını sağlayın. Havanın soğutucuyla karışması, soğutucu hattında anormal bir basınç oluşmasına neden olabilir ve bu da patlamaya veya diğer tehlikelerin ortaya çıkmasına neden olabilir. Sistem için belirtilenden farklı bir soğutucunun kullanılması mekanik arızaya, sistemin bozulmasına veya ünitenin arızalanmasına neden olabilir. Bu durum, en kötü ihtimalde ürün güvenliğinin sağlanması açısından bir engel ortaya çıkarabilir.

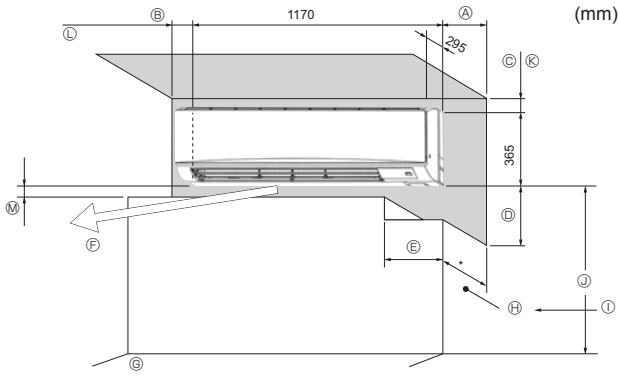
⚠ Dikkat:

- R410A soğutucu kullanıldığında mevcut soğutucu borularını kullanmayın.
- R410A soğutucu kullanıldığında geçme ve flanşlı bağlantılara sürülen soğutucu yağı olarak eter yağı, ester yağı veya alkilbenzen (az miktarda) kullanın.
- Klimayı yiyecek maddeleri, bitki, hayvanlar, sanat eserleri ya da hassas cihazların bulundurulduğu yerlerde kullanmayın. • Özel ortamlarda klimayı kullanmayın.
- Üniteye topraklayın.
- Gerektiğinde, devre kesicisi takılmasını sağlayınız.

- Elektrik kabloları için yeterli akım kapasitesine sahip standart kablo kullanınız.
- Sadece belirtilen kapasitede sigorta ve devre kesici kullanınız.
- Anahtarlara ıslak elle dokunmayınız.
- Soğutucu madde borularına cihaz çalışırken ve durduktan hemen sonra, çıplak elle dokunmayınız.
- Klimayı panel ve mahfazalar çıkarılmış olarak çalıştırmayın.
- Cihazın çalışmasını durdurduktan hemen sonra ana elektrik şalterini kapatmayın.

2. Montaj yeri

■ PKFY-P-VKM-E



Şekil 2-1

2.1. Dış ölçüler (İç ünite) (Şekil 2-1)

Montaj ve bakım için aşağıdaki açıklıklara izin veren uygun bir konum seçin.

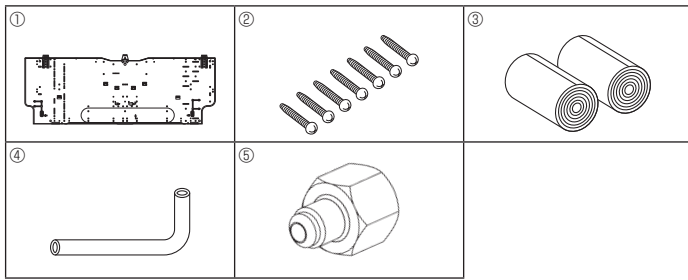
■ PKFY-P-VKM-E

(mm)

A	B	C	D	E
Min. 100,5	Min. 52,3	Min. 48	Min. 250	Min. 220

- Ⓐ Hava çıkışı: Hava çıkışının 1500 mm içerisinde herhangi bir engel yerleştirmeyiniz.
- Ⓑ Zemin yüzeyi
- Ⓗ Sabit eşyalar, vb.
- Ⓛ Perde rayı veya benzeri bir şeyin duvardan çıkıntı mesafesi 60 mm'yi geçtiğinde, fan hava akımı bir kısa çevrim yaratabileceği için, ilave mesafe konulmalıdır.
- Ⓜ Zemin yüzeyinden 1800 mm veya daha uzak (yüksek konuma montaj için)
- Ⓚ sol veya sol arka boru ve isteğe bağlı drenaj pompası kurulumu için 108 mm veya daha uzak
- Ⓛ İsteğe bağlı tahliye mekanizması kurulumu için 550 mm veya daha uzak
- Ⓜ Minimum 7 mm: isteğe bağlı tahliye pompası kurulumu için 265 mm veya daha uzak

3. İç ünitenin montajı



Şekil 3-1

3.1. İç ünite aksesuarlarını kontrol edin (Şekil 3-1)

İç ünite aşağıdaki aksesuarlarla birlikte teslim edilmiş olmalıdır:

PARÇA NUMARASI	AKSESUAR	ADEDİ		YERLEŞTİRİLECEĞİ YER
		P63	P100	
①	Montaj levhası	1	1	Ünitenin arkasına tespit ediniz
②	Kılavuz vida 4 x 25	7	7	
③	Keçe bant	2	2	
④	L biçimli bağlantı borusu	1	1	
⑤	Dolum somunununu	1	1	

3.2. Duvar montaj mesnedinin takılması

3.2.1. Duvar montaj mesnedinin ve boru yerlerinin tespiti

► Duvar montaj mesnedini kullanarak ünitenin monte edileceği yeri ve delinecek olan boru deliklerinin yerlerini saptayınız.

⚠ Uyarı:

Duvara delik delmeden önce inşaatçıya danışmalısınız.

■ PKFY-P-VKM-E (Şekil 3-2)

- Ⓐ Montaj levhası ①
- Ⓑ İç ünite
- Ⓒ Sol arka boru deliği (ø75-ø80)
- Ⓓ Sağ arka boru deliği (ø75-ø80)
- Ⓔ Sol arka boru deliği için parça deliği (75 x 480)
- Ⓕ Cıvata deliği (4-ø9 delik)
- Ⓖ Merkez ölçüm deliği (ø2,5 delik)
- Ⓗ Kılavuz deliği (75-ø5,1 delik)
- Ⓛ Delik merkezi
- Ⓜ Ölçeği çizgiyle hizalayınız.
- Ⓚ Ölçeği sokunuz.

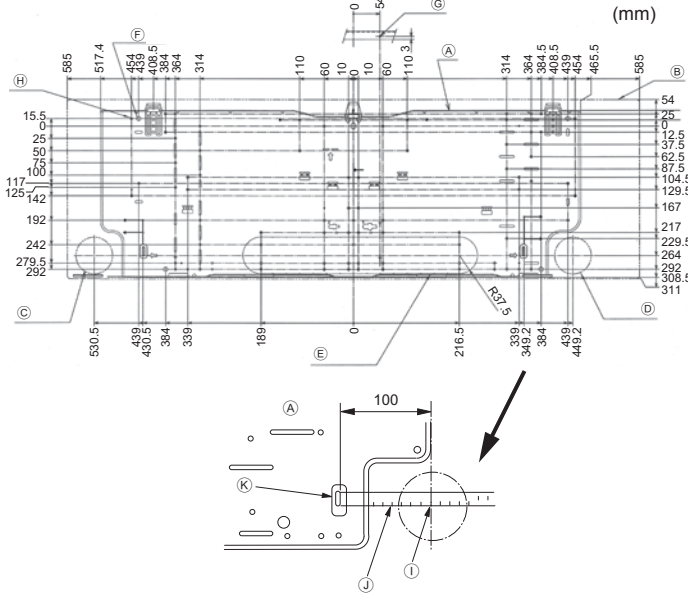
3.2.2. Boru deliğinin delinmesi (Şekil 3-3)

- Karot matkabı kullanarak, duvarda boru tesisatı yönünde, soldaki şemada gösterilen konumda, 75-80 mm çapında bir delik açınız.
- Duvardaki delik, dış taraftaki ağız iç taraftaki ağızdan daha aşağı seviyede olacak şekilde meyilli olmalıdır.
- Deliğe (yerel piyasadan temin edilen 75 mm çapında) bir manşon sokunuz.

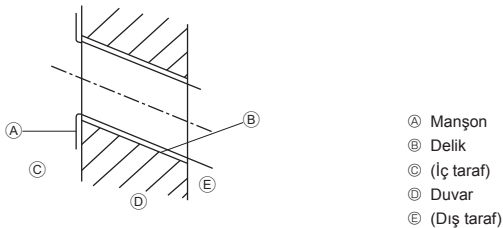
Not:

Duvara açılan deliğin meyilli olmasının nedeni, drenaj akışı sağlamaktır.

■ PKFY-P-VKM-E



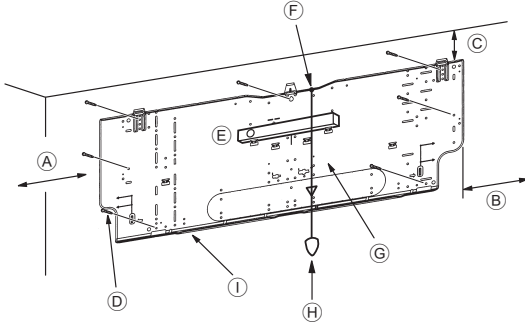
Şekil 3-2



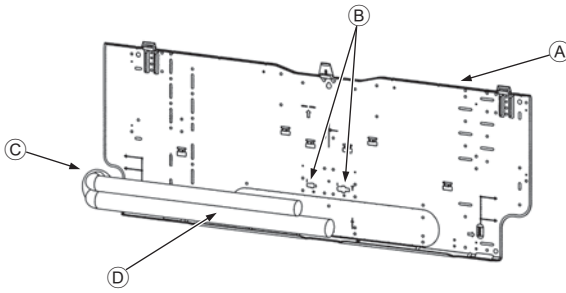
Şekil 3-3

3. İç ünitenin montajı

■ PKFY-P-VKM-E

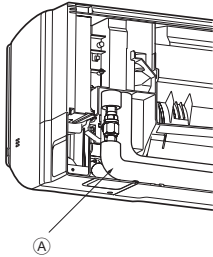


Şekil 3-4

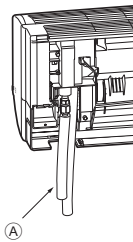


Şekil 3-5

■ PKFY-P-VKM-E



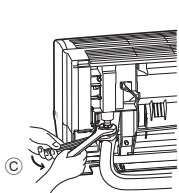
Şekil 3-6



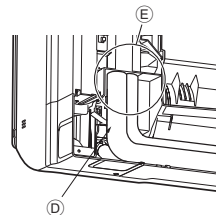
Şekil 3-7



Şekil 3-8



Şekil 3-9



Şekil 3-10

3.2.3. Duvar montaj mesnedinin takılması

- İç ünitenin ağırlığı yaklaşık 22 kg olduğu için, monte edileceği yeri seçerken iyice düşünmek gerekir. Eğer duvar yeterince sağlam görünmüyorsa, montaj işleminden önce duvarı levha ve kirişlerle takviye ediniz.
- Montaj mesnedi her iki ucundan ve mümkünse ortasından tespit edilmelidir. Mesnedi asla tek bir noktadan veya simetrik olmayan bir şekilde tespit etmeyiniz. (Eğer mümkünse mesnedi kalın oklarla işaretlenmiş olan tüm noktalardan tespit ediniz.)

⚠ Uyarı:

Mümkünse mesnedi kalın oklarla işaretlenmiş olan tüm noktalardan tespit ediniz.

⚠ Dikkat:

- Ünitenin gövdesi yatay olarak monte edilmelidir.
- Oklarla gösterilen şekilde işaretli deliklere tespit ediniz.

■ PKFY-P-VKM-E (Şekil 3-4)

- Ⓐ Min. 120 mm (isteğe bağlı tahliye pompası kurulumu için 617,6 mm veya daha uzak)
- Ⓑ Min. 220 mm
- Ⓒ Min. 70 mm (sol, sol arka ve sol alt boru tesisatı ve isteğe bağlı tahliye pompası kurulumu için 130 mm veya daha uzak)
- Ⓓ Tespit vidaları (4 × 25) ②
- Ⓔ Terazî
- Ⓕ Deliğe bir ip tespit ediniz.
- Ⓖ Teraziyi montaj levhasının yatay referans çizgisine getirin ve düz olacak şekilde monte edin. İpe bir ağırlık asarak, montaj levhasının ▽ EPK'si ile hizalanmasını sağlayın.
- Ⓗ Ağırlık
- Ⓛ Montaj levhası ①

3.3. Borular duvarın içine döşendiğinde (Şekil 3-5)

- Borular sol alt taraftadır.
- Soğutma borusu, drenaj boruları, iç/dış ünite bağlantı hatları vb. önceden duvarın içine gömülecek, boruların duvardan dışarı çıkan uçlarının vb. üniteye göre bükülmeleri ve uzunluklarının ayarlanması gerekebilir.
- Duvar içine gömülü soğutucu borusunun uzunluğunu ayarlarken, montaj levhasındaki işaretleri referans olarak kullanın.
- Tesisatı yaparken duvardan çıkan boruların uzunluğunda bir miktar tolerans bırakın.
 - Ⓐ Montaj levhası ①
 - Ⓑ Geçme bağlantı için referans işareti
 - Ⓒ Boru deliği
 - Ⓓ Bağlantı boruları

3.4. İç ünitenin hazırlanması

- * Hazırlık çalışmaları boru tesisatının çıkış yönüne bağlı olarak değişeceği için önceden kontrol ediniz.
- * Boru tesisatını bükerken, boru tesisatı çıkış kısmının tabanını tutarak yavaşça bükün. (Aniden bükmek, boru tesisatında arızalara neden olabilir.)

■ PKFY-P-VKM-E

L biçimli bağlantı borusunun takılması ④

Sağ, sol ve arka boru tesisatı (Şekil 3-6)

1. İç ünitenin geçme somununu ve kapağını çıkarın. (Yalnızca gaz borusu)
2. Geçme yüzeyine soğutucu makine yağı uygulayın. (Yerinde hazırlanır)
3. L biçimli bağlantı borusunun ④ çıkarılacağı yöne bakacak şekilde, iç ünitenin geçme bağlantı açıklığına hızla bağlayın.
4. Çift açık uçlu bir anahtar kullanarak geçme somunu sıkın. (Şekil 3-9)
Sıkma kuvveti: 68 ila 82 N·m
5. Dolum somununu ⑤ bağlantı yerinin sıvı boru tarafına bağlayın ve L biçimli bağlantı borusunun ④ bağlantı kısmında sızıntı kontrolü yapın.
Dolum somununu ⑤ iş tamamlandıktan sonra çıkarın.
Sıkma kuvveti: 34 ila 42 N·m
6. Geçme bağlantı kısmını, L biçimli bağlantı borusunun ④ kapağıyla kapatarak görünmemesini sağlayın. (Şekil 3-10)
 - Ⓐ L biçimli bağlantı borusu ④
 - Ⓑ Kesme konumu (Düz boru kısmı)
 - Ⓒ Sıkma yönü
 - Ⓓ Boru kapağıyla kapatın
 - Ⓔ Geçme somun bağlantısı kısmını, boru kapağıyla kapatın.

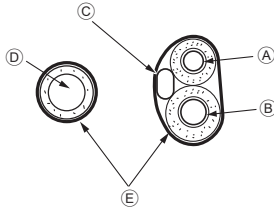
Alt boru tesisatı (Şekil 3-7)

1. L biçimli bağlantı borusunu ④ gösterilen (Şekil 3-8) yerinden kesin.
2. Daha önce çıkarılmış olan geçme somunu, kesilen L biçimli bağlantı borusunun ④ düz boru tarafına sokun ve ardından borunun ucunu geçirin.
3. İç ünitenin geçme somununu ve kapağını çıkarın. (Yalnızca gaz borusu)
4. Geçme yüzeyine soğutucu makine yağı uygulayın. (Yerinde hazırlanır)
5. Yukarıda adım 2)'de yapılan L biçimli bağlantı borusunu ④ iç ünitenin geçme bağlantı açıklığına hızla bağlayın.
6. Çift açık uçlu bir anahtar kullanarak geçme somunu sıkın. (Şekil 3-9)
Sıkma kuvveti: 68 ila 82 N·m
7. Dolum somununu ⑤ bağlantı yerinin sıvı boru tarafına bağlayın ve L biçimli bağlantı borusunun ④ bağlantı kısmında sızıntı kontrolü yapın.
Dolum somununu ⑤ iş tamamlandıktan sonra çıkarın.
Sıkma kuvveti: 34 ila 42 N·m
8. Geçme bağlantı kısmını, L biçimli bağlantı borusunun ④ kapağıyla kapatarak görünmemesini sağlayın. (Şekil 3-10)

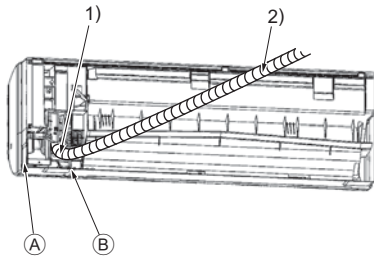
3. İç ünitenin montajı

L biçimli bağlantı borusunun bağlantı kısmında sızıntı kontrolü

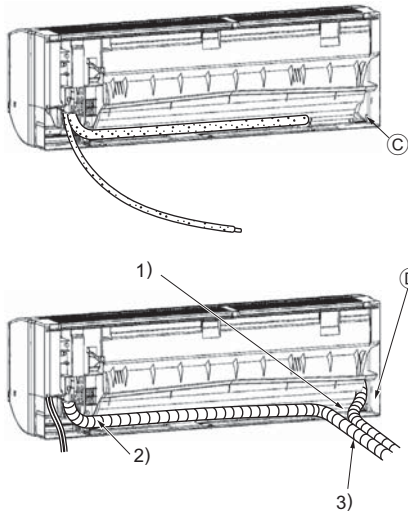
1. Dolum somununu ⑤ bağlantı yerinin sıvı borusu tarafına bağlayın.
Sıkma kuvveti: 34 ila 42 N·m
2. Dolum somunundan nitrojen gazı doldurarak basınçlandırın.
Basıncı belirtilen değere birden yükseltmeyin. Azar azar basınç verin.
 - 1) 0,5 Mpa'a (5 kgf/cm²G) kadar basınç verin, beş dakika bekleyin ve basıncın düşmediğinden emin olun.
 - 2) 1,5 Mpa'a (15 kgf/cm²G) kadar basınç verin, beş dakika bekleyin ve basıncın düşmediğinden emin olun.
 - 3) 4,15 Mpa'a (41,5 kgf/cm²G) kadar basınç verin ve çevre sıcaklığını ve soğutucu basıncını ölçün
3. Belirtilen değerdeki basınç bir gün süreyle sabit kalır ve düşmezse, borular testi geçmiş ve kaçak yok demektir.
 - Çevre sıcaklığı 1°C değişirse, basınç yaklaşık 0,01 MPa (0,1 kgf/cm²G) değişir. Gerekli düzeltmeleri yapın.
4. Basınç (2) ve (3) adımımda düşerse, gaz kaçağı var demektir. Gaz kaçağının kaynağını araştırın.



Şekil 3-11



Şekil 3-12



Şekil 3-13

Boru tesisatının ve kabloların çıkarılması ve bağlanması (Şekil 3-11)

1. İç/dış kablo bağlantılarının yapılması = Bkz. sayfa 112.
2. Keçe bandı ③ iç ünitenin boru tesisatı bölümüne yerleştirilecek olan soğutucu borusu ve drenaj hortumunun aralığına sarın.
 - Keçe bandı ③ soğutucu borusu ve drenaj hortumunun her birinin tabanına sıkıca sarın.
 - Keçe bandı ③, bant genişliğinin yarısı kadar üst üste bindirin.
 - Keçenin uç kısmını vinil bantla tutturun.

④ Sıvı borusu
⑤ Gaz borusu
⑥ İç/dış bağlantı kablosu
⑦ Drenaj hortumu
⑧ Keçe bant ③
3. Drenaj borusunun yukarı kalkmamasına ve iç ünite kutusunun gövdesiyle temas etmemesine dikkat edin.
Drenaj borusunu kuvvetle çekmeyin, çünkü dışarı çıkabilir.

Arka, sağ ve alt boru tesisatı (Şekil 3-12)

- 1) Drenaj borusunun yukarı kalkmamasına ve iç ünite kutusunun gövdesiyle temas etmemesine dikkat edin.
Drenaj hortumunu, borunun alt tarafından dolaştırın ve keçе bantla ③.
- 2) Keçe bandı ③ tabandan başlayarak sıkıca sarın. (Keçe bandı, bant genişliğinin yarısı kadar üst üste bindirin.)

④ Sağ boru tesisatı kesimi.
⑤ Sol boru tesisatı kesimi.

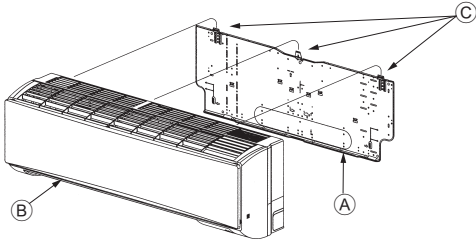
Sol ve sol arka boru tesisatı (Şekil 3-13)

4. Drenaj hortumu değiştirme = Bkz. 6. Drenaj tesisatı işleri
Drenaj hortumunu ve sol ve sol arka boru bağlantıları için drenaj kapağını yerine takmayı unutmayın. Bu parçaları takmayı veya değiştirmeyi unutursanız damlama yaşanabilir.

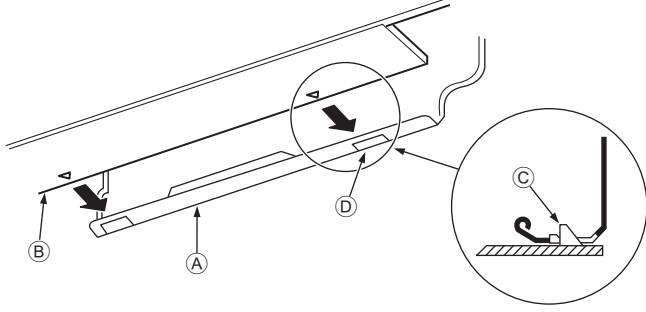
⑥ Drenaj kapağı
- 1) Drenaj borusunun yukarı kalkmamasına ve iç ünite kutusunun gövdesiyle temas etmemesine dikkat edin.
- 2) Keçe bandı ③ tabandan başlayarak sıkıca sarın. (Keçe bandı, bant genişliğinin yarısı kadar üst üste bindirin.)
- 3) Keçe bandın ③ uç kısmını vinil bantla tutturun.

⑦ Sol boru tesisatı kesimi.

3. İç ünitenin montajı

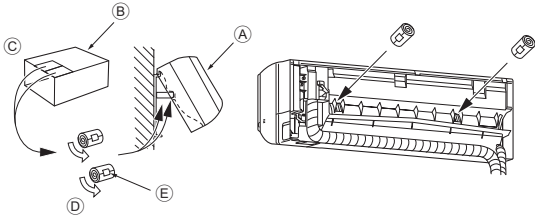


Şekil 3-14



Şekil 3-15

■ PKFY-P-VKM-E



Şekil 3-16

3.5. İç ünitenin monte edilmesi

1. Montaj levhasını ① duvara takın.
2. İç üniteyi montaj levhasının üst tarafındaki kancaya asın.

Arka, sağ ve alt boru tesisatı (Şekil 3-14)

3. Soğutucu borusunu ve drenaj hortumunu duvar giriş deliğine (giriş manşonuna) sokarken, iç ünitenin üst kısmını montaj levhasına ① asın.
4. İç üniteyi sol kaydırarak sağlam bir şekilde asılı olduğundan emin olun.
5. İç ünitenin alt kısmını montaj levhasının ① üzerine bastırarak sabitleyin. (Şekil 3-15)

* İç ünitenin alt kısmındaki düğmelerin, montaj levhasının ① kancasına sıkıca geçtiğini kontrol edin.

6. Montaj sonrasında, iç ünitenin terazide kurulduğundan emin olun.

- ① Montaj levhası
- ② İç ünite
- ③ Kanca
- ④ kare delik

Sol ve sol arka boru tesisatı (Şekil 3-16)

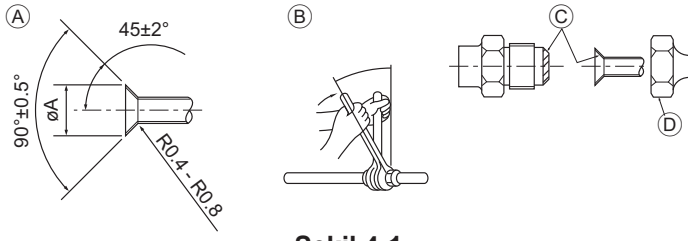
3. Drenaj hortumunu duvar giriş deliğine (giriş manşonuna) sokarken, iç ünitenin üst kısmını montaj levhasına ① asın. Boruların saklanma yerini düşünerek, üniteyi tümüyle sol tarafa taşıyın, ardından ambalaj kartonu ve sargısının bir kısmını şekilde gösterildiği gibi silindirik olarak kesin. Bu kısmı, arka yüzeye bir aralayıcı olarak takın ve iç üniteyi yukarı kaldırın.
4. Soğutucu borusunu, montaj tarafı soğutucu borusundan başlayarak bağlayın.
5. İç ünitenin alt kısmını montaj levhasının ① üzerine bastırarak sabitleyin.

* İç ünitenin alt kısmındaki düğmelerin, montaj levhasının ① kancasına sıkıca geçtiğini kontrol edin.

6. Montaj sonrasında, iç ünitenin terazide kurulduğundan emin olun.

- ① İç ünite
- ② Ambalaj kartonu
- ③ Kesim
- ④ Silindirik biçimde sarın
- ⑤ Bantla sabitleyin

4. Soğutucu borularının monte edilmesi



Şekil 4-1

(A) Geçme kesim ölçüleri

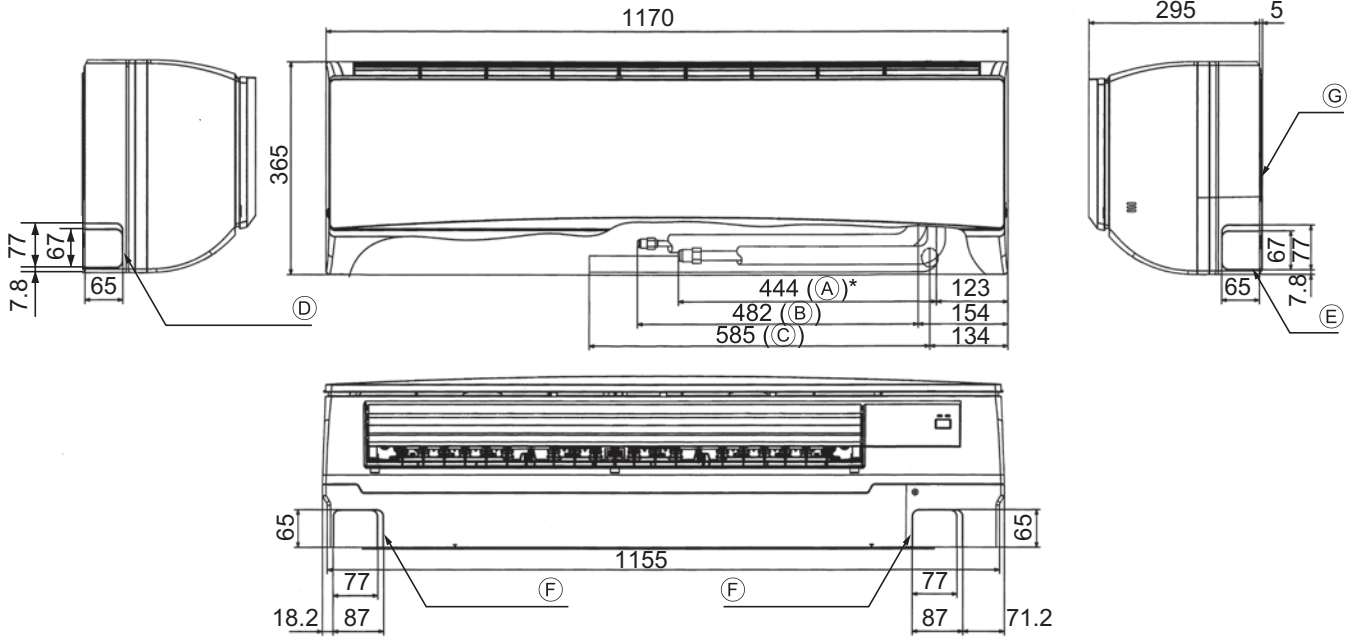
Bakır boru O.D. (mm)	Geçme boyutları ØA boyutları (mm)
Ø9,52	12,8 - 13,2
Ø15,88	19,3 - 19,7
Ø19,05	22,9 - 23,3

- (B) Soğutucu boru büyüklükleri ve Geçme somun sıkıştırma torku
 (C) Vida kısımlarına soğutucu makine yağı uygulayın.
 (Aksi takdirde, geçme somunlar gevşeyebilir.)
 (D) Ana üniteye bağlı geçme somunları kullandığınızdan emin olun.
 (Piyasada satılan ürünlerin kullanılması çatlama neden olabilir.)

	R410A				Geçme somun O.D.	
	Sıvı borusu		Gaz borusu		Sıvı borusu (mm)	Gaz borusu (mm)
	Boru büyüklüğü (mm)	Sıkıştırma torku (N·m)	Boru büyüklüğü (mm)	Sıkıştırma torku (N·m)		
P63	ODØ9,52	34 - 42	ODØ15,88	68 - 82	22	29
P100	ODØ9,52	34 - 42	ODØ15,88	68 - 82	22	29

(E) Bütün geçme yatağı yüzeyine soğutucu makine yağı sürün.

■ PKFY-P-VKM-E



Şekil 4-2

4.1. Boruların bağlanması (Şekil 4-1)

- Piyasada satılan bakır borular kullanıldığında, sıvı ve gaz borularını piyasada satılan yalıtım malzemeleriyle sarın (en az 100 °C sıcaklığa dayanıklı olmalı veya en az 12 mm kalınlığında olmalıdır).
- Drenaj borusunun bina içindeki aksami polietilen köpük yalıtım malzemeleriyle sarılmalıdır (özgül ağırlığı 0,03 olmalı, kalınlığı en az 9 mm olmalıdır).
- Geçme somunu sıkmadan önce boru ve conta bağlantı yüzeylerine ince bir tabaka halinde soğutucu yağı uygulayınız.
- Boru bağlantılarını iki somun anahtarıyla sıkınız.
- Soğutucu boru yalıtımında, yalnızca iç ünite bağlantılarının yalıtımı için verilen yalıtım malzemelerini kullanın. Dikkatli izole edin.

⚠ Uyarı:

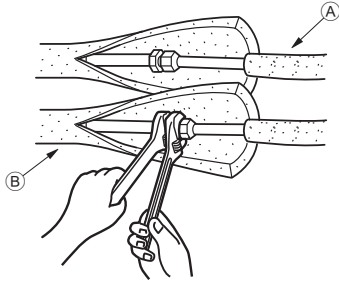
Ünitenin montajını yaparken, kompresörü çalıştırmadan önce soğutucu borularını sağlam şekilde bağlayın.

4.2. Soğutucu ve drenaj borularının yerlerinin belirlenmesi (Şekil 4-2)

■ PKFY-P-VKM-E

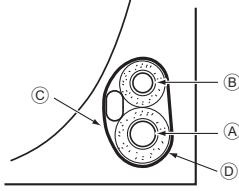
- (A) Gaz borusu * Aksesuarları takılı haldeki durumu göstermektedir.
 (B) Sıvı borusu
 (C) Drenaj hortumu
 (D) Sol boru tesisatı parça deliği
 (E) Sağ boru tesisatı parça deliği
 (F) Alt boru tesisatı parça deliği
 (G) Montaj levhası ①

4. Soğutucu borularının monte edilmesi



Şekil 4-3

■ PKFY-P-VKM-E



Şekil 4-4

4.3. Soğutucu tesisatı işleri (Şekil 4-3)

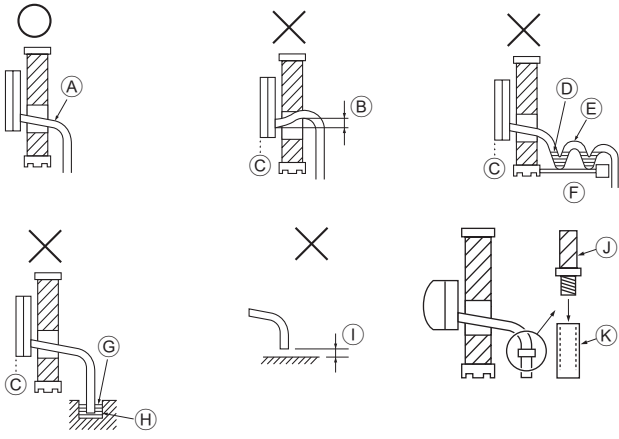
İç ünite

1. Geçme somunu ve iç ünitenin kapağını çıkarın.
2. Sıvı borusunun ve gaz borusunun ağızlarını geçme bağlantı için hazırlayın ve geçme yüzeyine soğutucu makine yağı (yerel piyasadan temin edilebilir) uygulayın.
3. Montaj yerindeki soğutma borularını hızla üniteye bağlayın.
4. Gaz borusuna takılı olan boru kapağını sarın ve bağlantı ek yerinin görünmemesini sağlayın.
5. Ünite sıvı borusunun boru kapağını sarın ve montaj yerindeki sıvı borusunun izolasyon malzemesinin üzerini örtmesini sağlayın.
6. İzolasyon malzemesinin birleştiği yer bantla kapatılır.
 - Ⓐ Montaj yerindeki soğutucu boruları
 - Ⓑ Ünite tarafındaki soğutucu boruları

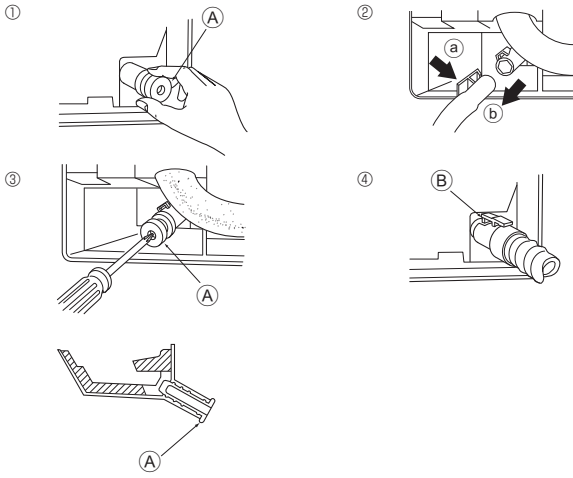
4.3.1. Ünitenin boru tesisatı yerinde saklama (Şekil 4-4)

1. Birlikte verilen keçe bandı, ünitenin boru tesisatı bölümüne yerleştirilecek olan soğutucu borusunun aralığına sararak, damlamayı önleyin.
2. Keçe bandı, bant genişliğinin yarısı kadar üst üste bindirin.
3. Keçenin uç kısmını vinil bantla, vb. tutturun.
 - Ⓐ Gaz borusu
 - Ⓑ Sıvı borusu
 - Ⓒ İç/dış bağlantı kablosu
 - Ⓓ Keçe bant Ⓣ

5. Drenaj Tesisatı İşleri

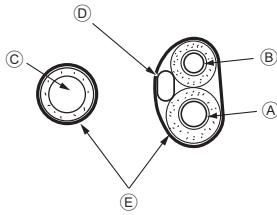


Şekil 5-1

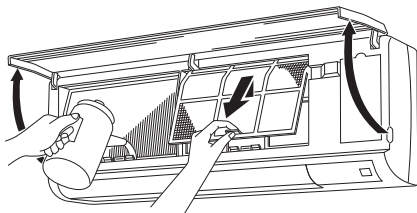


Şekil 5-2

■ PKFY-P-VKM-E



Şekil 5-3



Şekil 5-4

5.1. Drenaj Tesisatı İşleri (Şekil 5-1)

- Drenaj boruları en az 1/100 eğimli olmalıdır.
- Drenaj borusunu uzatmak için piyasadan temin edilen yumuşak hortum (iç çapı 15 mm) veya sert vinil klorür boru (VP-16/PVC boru, O.D. ø22) kullanın. Bağlantılardan su sızıntısı olmamasına dikkat edin.
- Drenaj tesisatını doğrudan doğruya drenaj çukuruna vermeyiniz; bu orada kükürt gazı oluşmasına yol açabilir.
- Tesisat tamamlanınca drenaj borusunun ucundan su aktığını teyid etmek için kontrol yapınız.

⚠ Dikkat:

Gerekli şekilde drenaj olabilmesi için drenaj tesisatını bu Montaj Elkitabına uygun olarak döşeyiniz. Kondansasyonu önlemek için drenaj borularının ısıya karşı tecrit edilmesi gerekir. Drenaj borularının usulüne uygun şekilde döşenmemesi ve tecrit edilmemesi halinde kondansasyon tavana, zemine veya diğer eşyaların üzerine damlayabilir.

- Ⓐ Aşağı eğik
- Ⓑ Çıkış noktasından daha aşağıda olmalıdır
- Ⓒ Su sızıntısı
- Ⓓ Sıkışmış drenaj
- Ⓔ Hava
- Ⓕ Dalgalı
- Ⓖ Drenaj borusunun ucu su altındadır.
- Ⓗ Drenaj çukuru
- Ⓘ Drenaj borusunun ucu ve yer arasında 5 cm veya daha az.
- Ⓙ Drenaj hortumu
- Ⓚ Yumuşak PVC hortum (iç çapı 15 mm) veya sert PVC boru (VP-16)
* Yapışkanlı PVC bantla bağlayın

Sol ve sol arka boru bağlantılarının hazırlanması (Şekil 5-2)

1. Drenaj kapağını çıkarın.
2. Borunun ucundan dışarı taşan kısımdan tutup çekerek drenaj kapağını çıkarın.
Ⓐ Drenaj kapağı
3. Drenaj hortumunu çıkarın.
• Hortumun (okla gösterilen) ucundan ③ tutup kendinize doğru ④ çekerek drenaj hortumunu çıkarın.
4. Drenaj kapağını takın.
• Borunun ucundaki deliğe bir tornavida vb sokarak drenaj kapağının dibine kadar itirmeye dikkat edin.
5. Drenaj hortumunu takın.
• Drenaj hortumunu drenaj kutusu bağlantısının çıkışının dibine erişinceye kadar itin.
• Drenaj hortumu kancasının drenaj kutusu bağlantısının dışarı taşan çıkışına gerektiği gibi tutturulmasına dikkat edin.
Ⓑ Kancalar

◆ İç ünitenin boru tesisatı yerinde saklama (Şekil 5-3)

- * Drenaj hortumu iç mekanda dolaştırılacaksa, hortumu piyasada satılan bir izolasyon malzemesiyle sardığınızdan emin olun.
- * Drenaj hortumunu ve soğutucu boruyu bir araya getirin ve birlikte verilen keçe bantla ③ sarın.
- * Keçe bandı ③, bant genişliğinin yarısı kadar üst üste bindirin.
- * Keçenin uç kısmını vinil bantla, vb. tutturun.

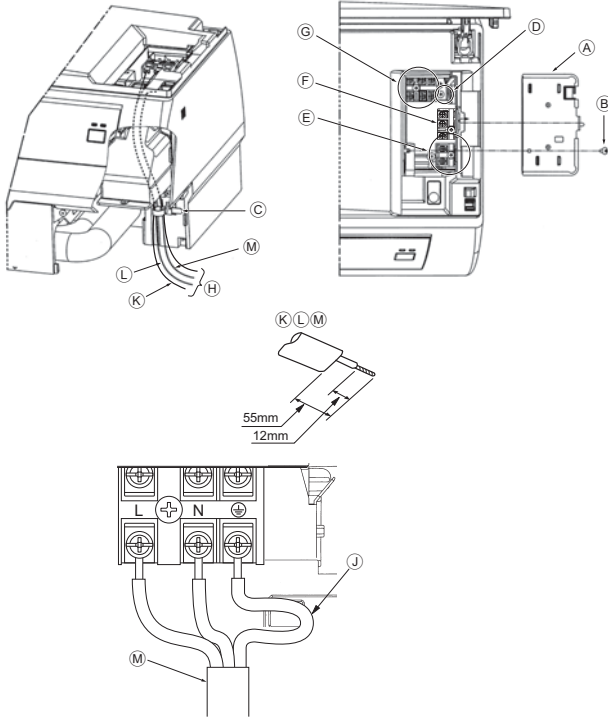
- Ⓐ Gaz borusu
- Ⓑ Sıvı borusu
- Ⓒ Drenaj hortumu
- Ⓓ İç/dış bağlantı kablosu
- Ⓔ Keçe bant ③

◆ Drenaj kontrolü (Şekil 5-4)

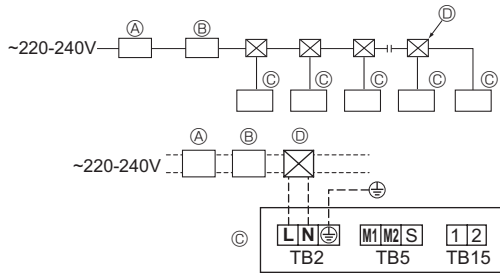
1. Ön ızgarayı açın ve filtreyi çıkarın.
2. Isı değiştiricinin kanatçıkları size dönük olarak, yavaşça suyla doldurun.
3. Drenaj kontrolünden sonra, filtreyi ve ızgarayı takın.

6. Elektrik işleri

■ PKFY-P-VKM-E



Şekil 6-1



Şekil 6-2

6.1. Elektrik işleri

■ PKFY-P-VKM-E (Şekil 6-1)

Ön panel sökülmeden bağlantı yapılabilir.

1. Ön ızgarayı açın, vidayı (1 adet) sökün ve elektrikli parçaların kapağını açın.
 2. Tellerden her birini terminal bloğuna sıkıcı bağlayın.
- * İleride servis gerekeceğini göz önünde bulundurarak kablunun uzunluğunu biraz fazla tutun.
- * Çok damarlı kablo kullanırken teller kısa devreye neden olabileceği için dikkatli olun.
3. Tüm parçaları tekrar daha önce buldukları duruma getirin.
 4. Elektrik aksam kutusunun dibindeki kelepçelerle tellerden her birini tutturun.

- A Elektrik kutusu kapağı
- B Sabitleme vidası
- C Kelepçe
- D Toprak kablosu bağlantı kısmı
- E MA uzaktan kumandası terminal panosu: (1 ve 2'de) polarite yoktur
- F İletim terminal panosu: (M1, M2, S'de) polarite yoktur
- G Güç kaynağı terminal panosu (L, N, Toprak).
- H Uç
- J Toprak kablosu bağlantı kısmı: Toprak kablosunu şekilde gösterilen yönde bağlayın.
- K Uzaktan kumanda kablosu
- L İletim kablosu
- M Güç kaynağı kablosu

6.2. Güç kaynağı kablosu

- Kablolama boyutu, ilgili yerel ve ulusal yönetmeliğe uygun olmalıdır.
- Cihazın güç kaynağı kablosu 245 IEC 53 veya 227 IEC57, 245 IEC 53 veya 227 IEC 53 tasarımından daha hafif olmamalıdır.
- Toprak hattı kurulumunu diğer kablolardan uzun olacak şekilde yapın.
- Klima kurulumunda her kutuptan en az 3 mm (1/8 inç) temas aralığı bırakılan bir anahtar kullanılmalıdır.

[Şekil 6-2]

- A Topraklama devresi kesici
- B Lokal anahtar/Kablo şalteri
- C İç ünite
- D Çekme kutusu

⚠ Uyarı:

Güç kablosunu ya da iç-dış bağlantı kablosunu asla birbirine bağlamayın, aksi takdirde duman, yangın ya da iletişim hatasına neden olabilir.

6. Elektrik işleri

İç ünitenin toplam çalışma akımı	Minimum kablo kalınlığı (mm ²)			Topraklama devresi kesici *1	Lokal anahtar (A)		Kablo tesisatı için şalter (NFB)
	Ana kablo	Branş	Toprak		Kapasite	Sigorta	
F0 = 16 A veya daha az *2	1,5	1,5	1,5	20 A akım hassasiyeti *3	16	16	20
F0 = 25 A veya daha az *2	2,5	2,5	2,5	30 A akım hassasiyeti *3	25	25	30
F0 = 32 A veya daha az *2	4,0	4,0	4,0	40 A akım hassasiyeti *3	32	32	40

IEC61000-3-3'e göre yaklaşık izin verilen maksimum sistem empedansını uygulayın.

*1 Topraklama devresi kesici inverter devresini desteklemelidir.

Topraklama devresi kesici lokal anahtar veya kablo şalterini birlikte kullanılmalıdır.

*2 F1 veya F2'den büyük olanı F0 değeri olarak kabul edin.

F1 = İç ünitelerin toplam maksimum çalışma akımı × 1,2

F2 = {V1 × (Tip1Miktari)/C} + {V1 × (Tip2Miktari)/C} + {V1 × (Tip3Miktari)/C} + {V1 × (Diğerlerinin Miktarı)/C}

İç ünite	V1	V2
Tip 1 PLFY-VBM, PMFY-VBM, PEFY-VMS, PFFY-VKM, PCFY-VKM, PKFY-VHM, PKFY-VKM, PLYF-VCM	18,6	2,4
Tip 2 PEFY-VMA	38	1,6
Tip 3 PEFY-VMHS	13,8	4,8
Diğerleri Diğer iç ünite	0	0

C: 0,01 sn'lik çalışma süresindeki çalışma akımı

Lütfen devre kesicinin atma özelliğinden "C"yi seçin.

<"F2" hesaplama örneği>

*Koşul PEFY-VMS × 4 + PEFY-VMA × 1, C = 8 (sağdaki örnek şemasına bakınız)

F2 = 18,6 × 4/8 + 38 × 1/8

= 14,05

→ 16 A devre kesici (Atan akım = 8 × 16 A 0,01 sn'de)

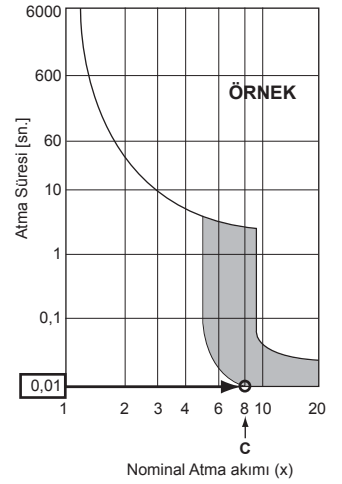
*3 Akım hassasiyeti şu formül kullanılarak hesaplanır.

G1 = V2 × (Tip1 Miktarı) + V2 × (Tip2 Miktarı) + V2 × (Tip3 Miktarı) + V2 × (Diğerlerinin Miktarı)
+ V3 × (Kablo uzunluğu[km])

G1	Akım hassasiyeti
30 veya daha az	30 mA 0,1sn veya daha az
100 veya daha az	100 mA 0,1sn veya daha az

Kablo kalınlığı	V3
1,5 mm ²	48
2,5 mm ²	56
4,0 mm ²	66

Örnek şema



6.3. Kontrol kablosu türleri

1. İletim kablolarının bağlanması

İletim kablosu türleri	Blendajlı kablo CVVS veya CPEVS
Kablo çapı	1.25 mm ² 'den büyük
Uzunluk	200 m'den az

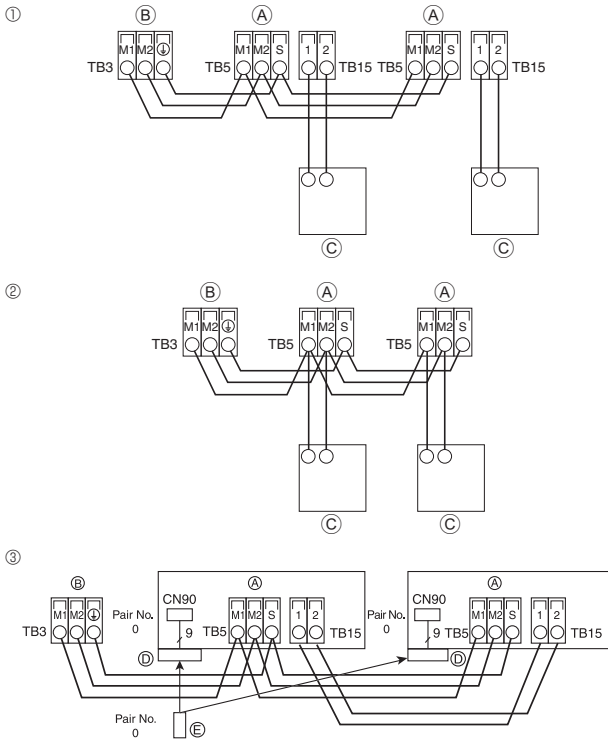
2. M-NET Uzaktan kumanda ünitesi kabloları

Uzaktan kumanda ünitesi kablosu türü	MVVS blendaj kablosu
Kablo çapı	0,5 - 1,25 mm ² den fazla
Uzunluk	Yzin verilen en uzun iletim kablosu uzunluğu 200 m içinde 10 m'yi geçen herhangi bir bölüm.

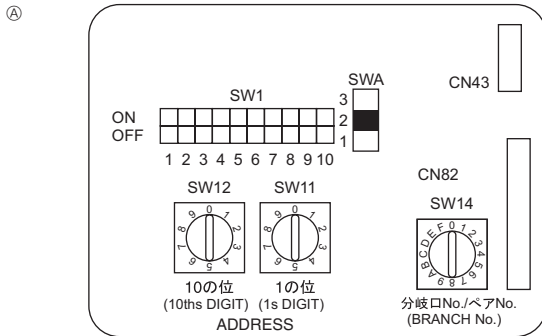
3. MA Uzaktan kumanda ünitesi kabloları

Uzaktan kumanda ünitesi kablosu türü	2 iletkenli kablo (blendajsız)
Kablo çapı	0,3 - 1,25 mm ²
Uzunluk	200 m'den az

6. Elektrik işleri



Şekil 6-3



Şekil 6-4

6.4. Uzaktan kumanda ünitesi, iç ve dış iletim kablolarının bağlanması (Şekil 6-3)

- TB5 iç ünitesinin ve TB3 dış ünitesinin bağlanması. (Kutupsuz 2 tel) TB5 iç ünite üzerindeki "S" blendajlı kablo bağlantısıdır. Kablo bağlantılarına ilişkin spesifikasyonlar için dış ünite talimat elkitabına bakınız.
- Uzaktan kumanda ünitesini birlikte verilen elkitabına göre monte ediniz.
- Uzaktan kumanda ünitesinin iletim kablolarını 0,75 mm² göbekli kabloyla 10 m'yi aşmayacak şekilde bağlayınız. Eğer mesafe 10 m'den fazlaysa, 1,25 mm²lik jonksiyon kablosu kullanınız.
- ① MA Uzaktan kumanda ünitesi
 - 1 ile 2 arasında DC 9 - 13 V (MA uzaktan kumanda ünitesi)
 - TB15 iç ünitesindeki "1" ve "2"yi bir MA uzaktan kumanda ünitesine bağlayın. (Kutupsuz çift tel)
- ② M-NET Uzaktan kumanda ünitesi
 - TB5 iç ünitesindeki "M1" ve "M2"yi bir M-NET uzaktan kumanda ünitesine bağlayın. (Kutupsuz çift tel)
- ③ Kablosuz uzaktan kumanda (Kablosuz sinyal alıcı kurarken)
 - Kablosuz sinyal alıcının kablolarını (9 kutuplu kablo) iç kontrol panosunda CN90'a bağlayın.
 - Kablosuz uzaktan kumanda kullanılarak ikiden fazla ünite aynı grupta çalıştırıldığında, TB15'i her birine aynı numarayla bağlayın.
 - Çift No. ayarını değiştirmek için, kablosuz uzaktan kumanda ile birlikte verilen kılavuza bakın. (İç ünitenin ve kablosuz uzaktan kumandanın varsayılan ayarı Çift No. 0 şeklindedir.)
 - Ⓐ İç ünite iletim kablolarının terminal bloğu
 - Ⓑ Dış ünite iletim kablolarının terminal bloğu (M1(A), M2(B), #(S))
 - Ⓒ Uzaktan kumanda
 - Ⓓ Kablosuz sinyal alıcı
 - Ⓔ Kablosuz uzaktan kumanda
- M1 ile M2 arasında DC 24 - 30 V (M-NET Uzaktan kumanda ünitesi)
 - Ⓐ İç iletim kablosu terminal bloğu
 - Ⓑ Dış iletim kablosu terminal bloğu
 - Ⓒ Uzaktan kumanda ünitesi

6.5. Adreslerin düzenlenmesi (Şekil 6-4)

- (Bu işlemi ana elektrik kaynağı kapatılmış (OFF) durumda yapmaya dikkat ediniz.)
- İki tür döner anahtar ayarı vardır: 1 - 9 arasındaki ve 10'un üzerindeki adreslerin düzenlenmesi ve şube numaralarının düzenlenmesi.
 - ① Adres ayarının yapılması
 - Örnek: Adres "3" ise, SW12'yi (10 ve üzeri için) "0"da tutun ve SW11'i (1 - 9 için) "3"e getirin.
 - ② Bölüm numarası ayarının yapılması SW14 (sadece R2 serisi)
 - İç ünite soğutucu borusunu BC denetleyicinin uç bağlantı numarası ile eşleştirin.
 - R2 serisi dışında "0" olarak bırakın.
 - Tüm döner anahtarların fabrika çıkışı değeri "0"dır. Bu anahtarlar ünite adresi ve bölüm numarasının isteğe göre ayarlanması için kullanılabilir.
 - İç ünite adresinin belirlenmesi sahada kurulu olan sisteme göre değişiklik gösterir. Adres ayarını Veri Kitabına başvurarak yapın.

6.6. Uzaktan kumanda yerleşik sensör ile oda sıcaklığının algılanması

Bir uzaktan kumanda yerleşik sensör ile oda sıcaklığını algılamak isterseniz, kontrol kartında bulunan SW1-1'i "ON" konumuna getirin. SW1-7 ve SW1-8'in gerektiği şekilde ayarlanması ısıtma termometresi OFF iken bir kerede hava akışının ayarlanmasını da mümkün kılmaktadır.

6.7. Elektriksel özellikler

Semboller: MCA: Maks. Devre Amp (= 1,25×FLA) FLA: Tam Yüklü Amp
IFM: İç Fan Motoru Çıkışı: Fan motoru nominal çıkışı

Model	Güç kaynağı		IFM		
	Volt/ Hz	Aralık +/- %10	MCA (A)	Çıkış (kW)	FLA (A)
PKFY-P63VKM-E	220-240 V / 50 Hz	Maks.: 264 V Min.: 198 V	0,36	0,056	0,29
PKFY-P100VKM-E	220 V / 60 Hz		0,63	0,056	0,50

7. Çalışma testi

7.1. İşletme testinden önce

- ▶ İç ve dış ünitenin montajının ve kablo ve boru bağlantılarının tamamlanmasından sonra, soğutucu kaçağı, elektrik ve kontrol kablolarında gevşeme, hatalı polarite ve fazlardan birinde kopma olup olmadığına bakınız.
- ▶ 500-Voltluk bir megometreyle besleme kaynağı terminalleriyle toprak arasında en az 1,0 MΩ direnç bulunduğunu kontrol ediniz.

- ▶ Bu testi kontrol kablosu (düşük gerilim devresi) terminallerinde yapmayınız.
- ⚠ **Uyarı:**
İzolasyon direnci 1,0 MΩ'dan azsa klimayı kullanmayınız.

Kumanda arayüzü

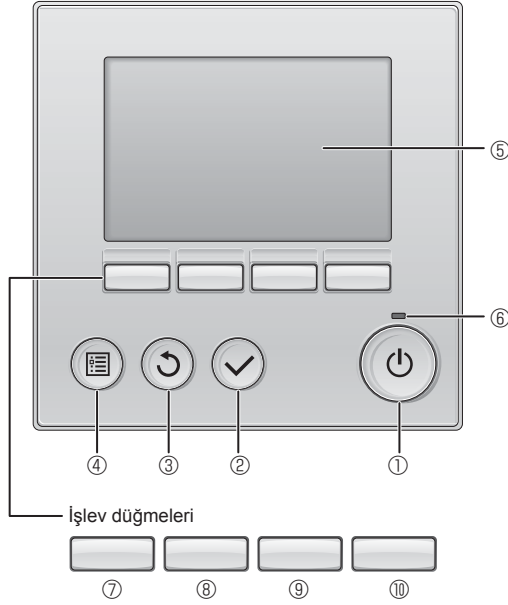


Fig. 7-1

7.2. Çalışma testi

Şu 3 yöntem kullanılabilir.

7.2.1. Kablolu uzaktan kumanda kullanarak (Fig. 7-1)

① [AÇMA/KAPATMA] düğmesi

İç üniteyi AÇMAK/KAPATMAK için basın.

② [SEÇİM] düğmesi

Ayarı kaydetmek için basın.

③ [GERİ DÖN] düğmesi

Önceki ekrana dönmek için basın.

④ [MENÜ] düğmesi

Ana Menüü açmak için basın.

⑤ LCD Arka Aydınlatma

Çalışma ayarları görüntülenir.

Arka aydınlatma kapalıyken herhangi bir düğmeye basılması arka aydınlatmayı açar ve aydınlatma ekrana bağlı olarak belli bir süre açık kalır.

Arka aydınlatma kapalıyken, herhangi bir düğmeye basılması arka aydınlatmayı açar ancak düğmenin işlevini yerine getirmez. (bu yalnızca [AÇMA/KAPATMA] düğmesi için geçerli değildir)

⑥ AÇIK/KAPALI lambası

Ünite çalışırken bu lamba yeşil renkte yanar. Uzaktan kumanda başlarken veya hata olduğunda lamba yanıp söner.

⑦ İşlev düğmesi [F1]

Ana ekran: Çalışma modunu değiştirmek için basın.

Ana menü: İmleci aşağı hareket ettirmek için basın.

⑧ İşlev düğmesi [F2]

Ana ekran: Sıcaklığı azaltmak için basın.

Ana menü: İmleci yukarı hareket ettirmek için basın.

⑨ İşlev düğmesi [F3]

Ana ekran: Sıcaklığı artırmak için basın.

Ana menü: Önceki sayfaya gitmek için basın.

⑩ İşlev düğmesi [F4]

Ana ekran: Fan hızını değiştirmek için basın.

Ana menü: Sonraki sayfaya gitmek için basın.

Adım 1 Uzaktan kumandayı "Test run" (Test çalıştırma) moduna alın.

① Ana menüden "Service" (Servis) öğesini seçin ve düğmesine basın.

② Servis menüsünü seçildiğinde, bir pencere açılarak parola isteyecektir. (Fig. 7-2)

Mevcut bakım parolasını (4 rakam) girmek için, [F1] veya [F2] düğmesi ile imleci değiştirmek istediğiniz haneye getirin ve her sayıyı (0'dan 9'a kadar) [F3] veya [F4] düğmesi ile değiştirin. Ardından, düğmesine basın.

Not: İlk bakım parolası "9999"dir. İzinsiz girişi önlemek için varsayılan parolayı gerektiğinde değiştirin. Parolayı kullanacak kişilere bildirin.

Not: Eğer bakım parolanızı unutursanız, bakım parolası ayar ekranından [F1] ve [F2] düğmelerine aynı anda üç saniye basılı tutarak parolanızı varsayılan parola olan "9999" değerine getirebilirsiniz.

③ [F1] veya [F2] düğmesi ile "Test run" (Test çalıştırma) öğesini seçin ve düğmesine basın. (Fig. 7-3)

④ [F1] veya [F2] düğmesi ile "Test run" (Test çalıştırma) öğesini seçin ve düğmesine basın. (Fig. 7-4)

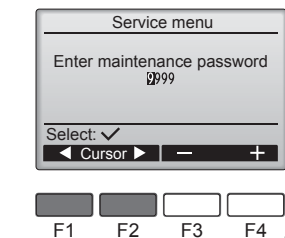


Fig. 7-2

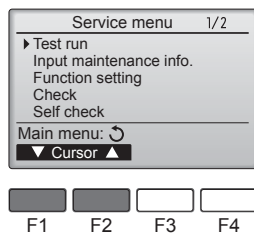


Fig. 7-3

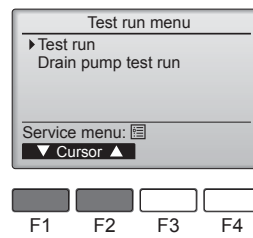


Fig. 7-4

7. Çalışma testi

Adım 2 Testi çalıştırın, hava akımı sıcaklığını ve otomatik kanadı kontrol edin.

- ① [F1] düğmesine basarak, "Cool" (Soğutma) ve "Heat" (Isıtma) çalışma modları arasında geçiş yapın. (Fig. 7-5)
Soğutma modu: Soğuk hava üflemesini kontrol edin.
Isıtma modu: Sıcak hava üflemesini kontrol edin.
- * Dış ünite fanının çalışmasını kontrol edin.
- ② Kanatçık ayar ekranını açmak için [Vane] düğmesine basın.

OTOMATİK kanatçık kontrolü

- ① [F1] [F2] düğmeleri ile otomatik kanatçığı kontrol edin. (Fig. 7-6)
- ② [Vane] düğmesine basarak "Test run" (Test çalıştırma) işlem ekranına dönün.
- ③ [Power] düğmesine basın.

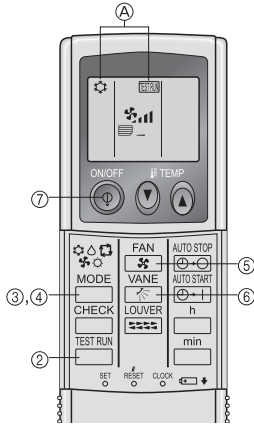


Fig. 7-7

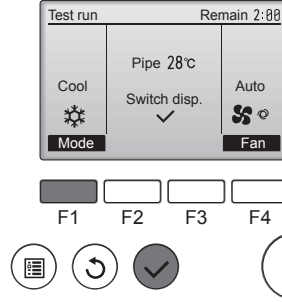


Fig. 7-5

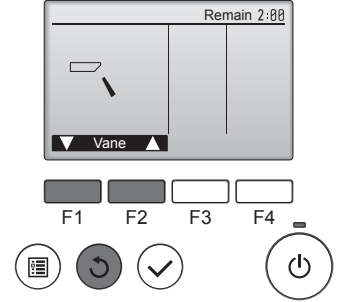


Fig. 7-6

7.2.2. Kablosuz uzaktan kumanda kullanarak (Fig. 7-7)

- ① Çalışma testinden en az 12 saat önce üniteye güç verin.
- ② [TEST RUN] (kontrol) düğmesine iki kere sürekli olarak basın.
(Bu işlemi uzaktan kumanda durum göstergesi kapalı durumdaki ünite için başlatın.)
- ③ [TEST RUN] (işletme testi) ve o andaki işletme modu görüntülenir.
- ④ COOL (soğutma) modunu yürürlüğe koymak için [MODE] (soğutma) düğmesine basarak işletme modu görüntülenir.
- ⑤ HEAT (ısıtma) modunu yürürlüğe koymak için [MODE] (ısıtma) düğmesine basarak işletme modu görüntülenir.
- ⑥ [FAN] (Fan) düğmesine basıp, fan hızının değişip, değişmediğini denetleyiniz.
- ⑦ [VANE] (kanatçık) düğmesine basıp otomatik kanatçığın gerektiği gibi çalışıp çalışmadığını kontrol ediniz.
- ⑧ İşletme testini durdurmak için ON/OFF (açma/kapama) düğmesine basınız.

Not:

- Uzaktan kumanda ünitesini iç ünitenin alıcısına doğru yönlendirip ②'den ⑧'ye kadar olan işlemleri yerine getiriniz.
- Üniteyi FAN (vantilatör), DRY (kurutma) veya AUTO (otomatik) modlarında çalıştırmak mümkün değildir.

Содержание

1. Меры предосторожности.....	119	5. Дренажные трубы.....	126
2. Место установки	120	6. Электрические работы	127
3. Установка внутреннего прибора.....	120	7. Выполнение испытания.....	130
4. Прокладка труб хладагента	124		

Примечание:

В этом руководстве по использованию аппарата фраза “проводной пульт дистанционного управления” относится к пульту дистанционного управления PAR-32МАА.

Сведения о других пультах дистанционного управления приводятся в руководстве по установке или руководстве по начальным настройкам, находящемся в этих коробках.

1. Меры предосторожности

- ▶ До установки прибора убедитесь, что Вы прочли все “Меры предосторожности”.
- ▶ Пожалуйста, перед подключением данного оборудования к системе электропитания, сообщите об этом своему поставщику электропитания или получите его разрешение.

⚠ Предупреждение:

Описывает меры предосторожности, необходимые для предотвращения получения травмы или гибели пользователя.

⚠ Осторожно:

Описывает меры предосторожности, необходимые для предотвращения повреждения прибора.

После окончания установочных работ проинструктируйте пользователя относительно правил эксплуатации и обслуживания аппарата, а также ознакомьте с разделом “Меры предосторожности” в соответствии с информацией, приведенной в Руководстве по использованию аппарата, и выполните тестовый прогон аппарата для того, чтобы убедиться, что он работает нормально. Обязательно передайте пользователю на хранение экземпляры Руководства по установке и Руководства по эксплуатации. Эти Руководства должны быть переданы и последующим пользователям данного прибора.

⚠ Предупреждение:

- Обратитесь к дилеру или квалифицированному технику для выполнения установки кондиционера воздуха.
- Запрещается самостоятельный ремонт или перемещение прибора.
- Устанавливайте прибор в месте, способном выдержать его вес.
- Используйте для проводки указанные кабели. Убедитесь, что кабели надежно соединены, а оконечные соединения не натянуты. Никогда не соединяйте кабели внахлест (если иное не указано в прилагаемой документации). Несоблюдение этих инструкций может привести к перегреву или возгоранию.
- Используйте только те дополнительные принадлежности, на которые имеется разрешение от Mitsubishi Electric; для их установки обращайтесь к дилеру или уполномоченному специалисту по установке.
- Не прикасайтесь к лопастям теплообменника.
- Устанавливайте кондиционер согласно инструкциям, приведенным в данном Руководстве по установке.
- Все электроработы должны выполняться квалифицированным электриком, имеющим соответствующую лицензию, в соответствии с местными нормативами.
- Установку необходимо выполнять в соответствии с действующими правилами электробезопасности.

⚠ Осторожно:

- При использовании хладагента R410A следует заменить установленные ранее трубы хладагента.
- Используйте эфирное масло или алкилбензин (в небольших количествах) в качестве охлаждающего масла для смазывания раструбных и фланцевых трубных соединений при использовании хладагента R410A.
- Не используйте кондиционер воздуха в местах содержания продуктов, домашних животных, растений, точных приборов или предметов искусства.
- Не используйте кондиционер воздуха в особых условиях.
- Заземлите прибор.

- ⊘ : Указывает действие, которое следует избегать.
- ⚠ : Указывает на важную инструкцию.
- ⚡ : Указывает, что данная часть должна быть заземлена.
- ⚠ : Указывает на необходимость проявлять осторожность по отношению к вращающимся частям.
- ⚠ : Указывает на необходимость отключения главного выключателя перед проведением техобслуживания.
- ⚠ : Опасайтесь электрошока.
- ⚠ : Опасайтесь горячих поверхностей.
- ⚠ ELV : При проведении техобслуживания отключите электропитание как внутреннего, так и наружного прибора.

⚠ Предупреждение:

Внимательно прочтите текст на этикетках главного прибора.

- Поврежденный кабель из комплекта поставки должен быть заменен в целях безопасности производителем, сервисным агентом или лицами, обладающими необходимой квалификацией.
- Если кондиционер установлен в небольшом помещении, необходимо принять меры для предотвращения концентрации хладагента свыше безопасных пределов в случае утечки хладагента.
- Вырубленные грани отпрессованных деталей могут нанести травмы - порезы и т.д. Просим установщиков надевать защитную одежду, например, перчатки и т.д.
- При монтаже или перемещении, а также при обслуживании кондиционера используйте только указанный хладагент (R410A) для заполнения трубопроводов хладагента. Не смешивайте его ни с каким другим хладагентом и не допускайте наличия воздуха в трубопроводах. Наличие воздуха в трубопроводах может вызывать скачки давления, в результате которых может произойти взрыв или другие повреждения. Использование любого хладагента, отличного от указанного для этой системы, вызовет механическое повреждение, сбой в работе системы, или выход устройства из строя. В наихудшем случае, это может послужить серьезной преградой к обеспечению безопасной работы этого изделия.

- Установите прерыватель цепи, если требуется.
- Используйте сетевой кабель достаточной мощности напряжения.
- Используйте прерыватель цепи и предохранитель указанной мощности.
- Не прикасайтесь к выключателям мокрыми руками.
- Не прикасайтесь к трубам хладагента во время работы и сразу после выключения прибора.
- Не используйте кондиционер воздуха, если его панели и крышки сняты.
- Не отключайте питание немедленно после выключения прибора.

3. Установка внутреннего прибора

■ PKFY-P-VKM-E

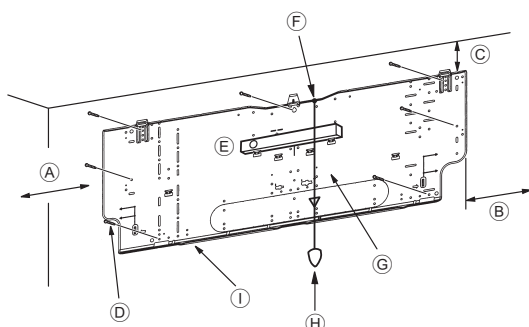


Рис. 3-4

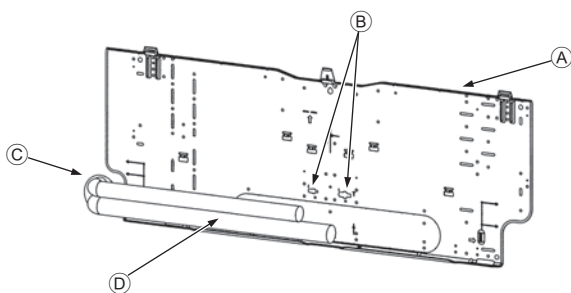


Рис. 3-5

■ PKFY-P-VKM-E

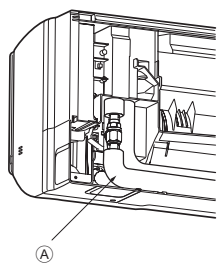


Рис. 3-6

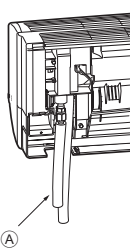


Рис. 3-7



Рис. 3-8

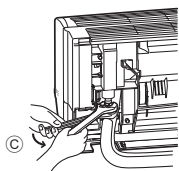


Рис. 3-9

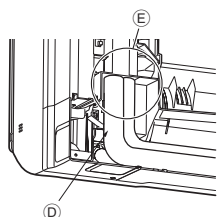


Рис. 3-10

3.2.3. Установка настенного кронштейна

► Поскольку внутренний прибор весит около 22 кг, необходимо тщательно продумать место для его установки. Если стена недостаточно прочная, перед установкой прибора ее следует укрепить досками или балками.

► Настенный кронштейн должен быть закреплен с обоих концов и в центре, если возможно. Никогда не укрепляйте его только в одном месте или каким-либо несимметричным образом. (Если возможно, укрепите установочную арматуру во всех точках, которые обозначены жирной стрелкой.)

⚠ Предупреждение:

Если возможно, закрепите установку в точках, обозначенных жирными стрелками

⚠ Осторожно:

- Корпус прибора должен быть установлен ровно по горизонтали.
- Закрепите в отверстиях, обозначенных символом ▲, на которые указывают стрелки.

■ PKFY-P-VKM-E (Рис. 3-4)

- ▲ Мин. 120 мм (617,6 мм и более при установке опционального дренажного насоса)
- ⓑ Мин. 220 мм
- ⓒ Мин. 70 мм (130 мм и более при использовании левой, задней левой или нижней левой трубок или опционального дренажного насоса)
- ⓓ Крепежные винты (4 × 25) ②
- ⓔ Уровень
- ⓕ Установите винтовое соединение в отверстие.
- ⓖ Установите уровень по референтной линии на монтажной плите и проверьте горизонтальность. Свесьте грузик с резьбы и совместите его с ▽ ЕРК монтажной плиты для выставления уровня.
- ⓗ Грузик
- Ⓢ Монтажная плита ①

3.3. Встраивание труб в стены (Рис. 3-5)

- Трубки расположены слева внизу.
- Если предполагается заблаговременно встраивать трубку охлаждения, внешние/внутренние соединения дренажных трубок и выступающие трубки, может понадобиться их согнуть и обрезать под установку.
- При обрезке встроенной трубки охлаждения используйте метки на монтажной плите.
- Во время монтажных работ оставляйте запас трубок по длине.

- ▲ Монтажная плита ①
- ⓑ Метки для фланцевых соединений
- ⓒ Через отверстие
- ⓓ Трубки, монтируемые на месте

3.4. Подготовка внутреннего блока

* Поверьте заблаговременно, поскольку подготовительные работы будут отличаться в зависимости от направления прокладки трубок.

* Сгибайте трубки постепенно, удерживая их за основание у блока. (Резкое сгибание может привести к деформации трубки.)

■ PKFY-P-VKM-E

Подсоединение L-образной соединительной трубки ④

Правые, левые и нижние трубопроводы (Рис. 3-6)

1. Снимите раструбную муфту и заглушку внутреннего блока. (Только труба газового контура)
2. Нанесите холодильное масло на поверхность раструбы. (Подготовительные работы на месте установки)
3. С направления, в котором будет сниматься L-образная соединительная трубка ④ установите быстроразъемное соединение на раструбном соединении внутреннего блока.
4. Затяните раструбную муфту рожковым гаечным ключом. (Рис. 3-9) Момент затяжки: от 68 до 82 Нм
5. Подсоедините зарядный штуцер ⑤ к соединению со стороны жидкостного контура и проверьте соединительную часть L-образной соединительной трубки ④ на протечки. Снимите зарядный штуцер ⑤ по окончании работ. Момент затяжки: от 34 до 42 Нм
6. Закройте заглушкой раструбное соединение L-образной соединительной трубки, ④ чтобы защитить его. (Рис. 3-10)
 - ▲ L-образная соединительная трубка ④
 - ⓑ Положения обрезания (прямая часть трубки)
 - ⓒ Направление затяжки
 - ⓓ Закройте заглушкой
 - ⓔ Закройте заглушкой раструбное соединение.

Нижняя трубка (Рис. 3-7)

1. Отрежьте L-образную соединительную трубку ④ в месте, указанном на (Рис. 3-8).
2. Вставьте ранее снятую раструбную муфту в прямую часть обрезанной L-образной соединительной трубки ④ и развальцуйте конец трубки.
3. Снимите раструбную муфту и заглушку внутреннего блока. (Только труба газового контура)
4. Нанесите холодильное масло на поверхность раструбы. (Подготовительные работы на месте установки)
5. Быстро подсоедините L-образную соединительную трубку ④, которая была подготовлена указанным в пункте 2) образом к отверстию раструбного соединения внутреннего блока.
6. Затяните раструбную муфту рожковым гаечным ключом. (Рис. 3-9) Момент затяжки: от 68 до 82 Нм
7. Подсоедините зарядный штуцер ⑤ к соединению со стороны жидкостного контура и проверьте соединительную часть L-образной соединительной трубки ④ на протечки. Снимите зарядный штуцер ⑤ по окончании работ. Момент затяжки: от 34 до 42 Нм
8. Закройте заглушкой раструбное соединение L-образной соединительной трубки, ④ чтобы защитить его. (Рис. 3-10)

3. Установка внутреннего прибора

Тест на протечку соединительной части L-образной соединительной трубки

1. Подсоедините зарядный штуцер ⑤ со стороны жидкостного контура соединительной трубки.
Момент затяжки: от 34 до 42 Нм
2. Подайте азот под давлением через зарядный штуцер. Не подавайте рабочее давление сразу. Наравчивайте давление постепенно.
 - 1) Увеличьте давление до 0,5 МПа (5 кгс/см²G), подождите пять минут и удостоверьтесь, что давление не снизилось.
 - 2) Увеличьте давление до 1,5 МПа (15 кгс/см²G), подождите пять минут и удостоверьтесь, что давление не снизилось.
 - 3) Увеличьте давление до 4,15 МПа (41,5 кгс/см²G) и измерьте температуру окружающего воздуха и давление хладагента.
3. Если указанное давление держится в течение приблизительно одного дня и не уменьшается, то трубы выдержали испытание и утечек нет.
 - При изменении температуры окружающего воздуха на 1°C давление изменяется приблизительно на 0,01 МПа (0,1 кгс/см²G). Произведите необходимые подстройки.
4. Если на этапах (2) или (3) наблюдается снижение давления, происходит утечка газа. Найдите источник утечки газа.

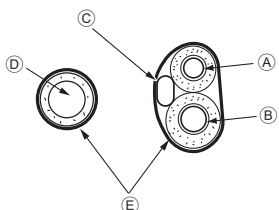


Рис. 3-11

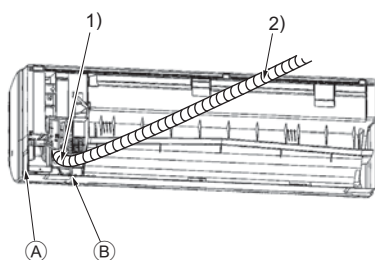


Рис. 3-12

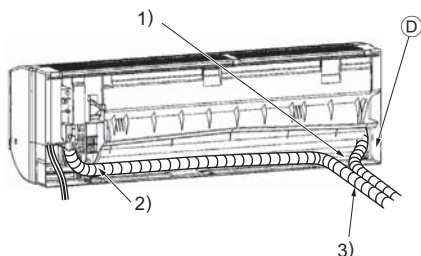
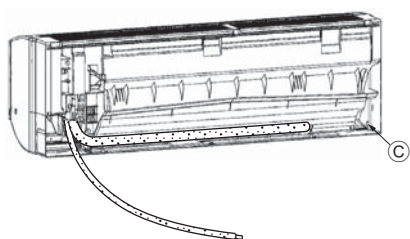


Рис. 3-13

Извлечение и обработка трубопроводов и электропроводки (Рис. 3-11)

1. Подсоединение внутренней/наружной проводки = См. стр. 125.
2. Обмотайте изолентой ③ область трубок хладагента и дренажную трубку, которые будут устанавливаться на внутреннем блоке.
 - Тщательно обмотайте изолентой ③ трубки хладагента и сливную трубку от их оснований.
 - Захлест изоленты ③ должен составлять половину ее ширины.
 - Закрепите конец изоленты скотчем.

Ⓐ Труба жидкостного контура
Ⓑ Труба газового контура
Ⓒ Провод для соединения внутреннего и наружного блока
Ⓓ Дренажная трубка
Ⓔ Изолента ③
3. Проследите, чтобы дренажная трубка не была поднята и не контактировала с корпусом внутреннего блока. Не тяните за дренажную трубку, чтобы не вырвать ее.

Правые, левые и нижние трубопроводы (Рис. 3-12)

- 1) Проследите, чтобы дренажная трубка не была поднята и не контактировала с корпусом внутреннего блока. Проведите дренажную трубку под трубопроводами и обмотайте ее изолентой ③.
- 2) Надежно закрепите изоленту ③ от самого основания. (Перехлест изоленты должен составлять половину ее ширины.)

Ⓐ Вырез для правой трубки.
Ⓑ Вырез для нижней трубки.

Левая и левая нижняя трубки (Рис. 3-13)

4. Замена дренажной трубки = См. 6. Работы по установке дренажной системы
Заменяйте дренажную трубку и ее заглушку для левой и правой трубок. В противном случае будет капать конденсат.

Ⓒ Заглушка дренажной трубки
- 1) Проследите, чтобы дренажная трубка не была поднята и не контактировала с корпусом внутреннего блока.
- 2) Надежно закрепите изоленту ③ от самого основания. (Перехлест изоленты должен составлять половину ее ширины.)
- 3) Закрепите конец изоленты ③ скотчем.

Ⓓ Вырез для левой трубки.

3. Установка внутреннего прибора

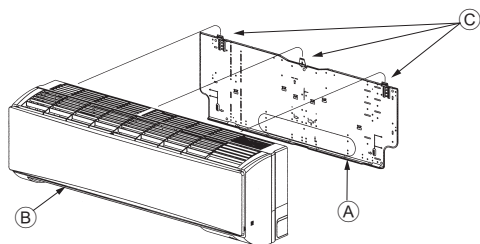


Рис. 3-14

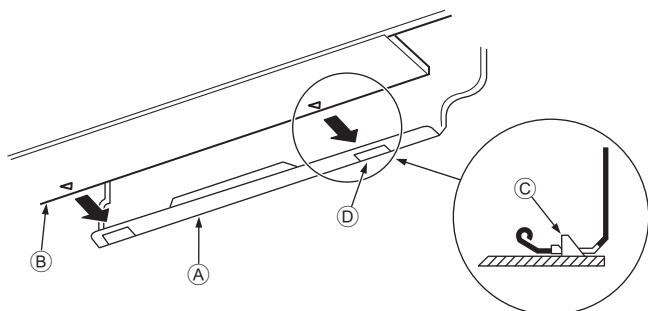


Рис. 3-15

■ PKFY-P-VKM-E

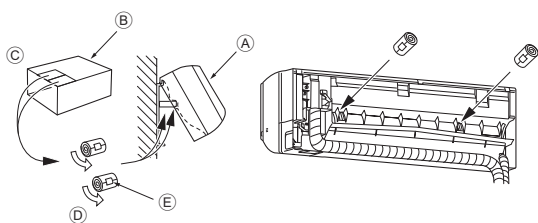


Рис. 3-16

3.5. Установка внутреннего блока

1. Подсоедините монтажную плиту ① к стене.
2. Подвесьте внутренний блок на крюк, расположенный в верхней части монтажной плиты.

Правые, левые и нижние трубопроводы (Рис. 3-14)

3. Устанавливая трубки хладагента и дренажа в отверстие на стене (муфту), подвесьте верхнюю часть внутреннего блока к монтажной плите ①.
4. Сдвигая блок вправо-влево, убедитесь в его надежном креплении.
5. Закрепите блок, вдвинув его нижнюю часть в монтажную плиту ①. (Рис. 3-15)

* Убедитесь, что нижние фиксаторы внутреннего блока надежно встали в монтажной плите ①.

6. После этого проверьте горизонтальность установки внутреннего блока.

- ① Монтажная плита
- ② Внутренний блок
- ③ Крюк
- ④ квадратное отверстие

Левая и левая нижняя трубки (Рис. 3-16)

3. Устанавливая дренажную трубку в отверстие на стене (муфту), подвесьте верхнюю часть внутреннего блока к монтажной плите ①. Учитывая необходимость укладки трубки, сместите блок влево, затем отрежьте кусок упаковочного картона и сверните его трубкой как показано на рисунке. Установите получившуюся трубку на ребро задней поверхности в качестве проставки, затем поднимите внутренний блок
4. Подсоедините трубку хладагента к установленному на месте холодильному контуру.
5. Закрепите блок, вдвинув его нижнюю часть в монтажную плиту ①.
- * Убедитесь, что нижние фиксаторы внутреннего блока надежно встали в монтажной плите ①.
6. После этого проверьте горизонтальность установки внутреннего блока.

- ① Внутренний блок
- ② Упаковочный картон
- ③ Отрезать
- ④ Свернуть в трубку
- ⑤ Закрепить скотчем

4. Прокладка труб хладагента

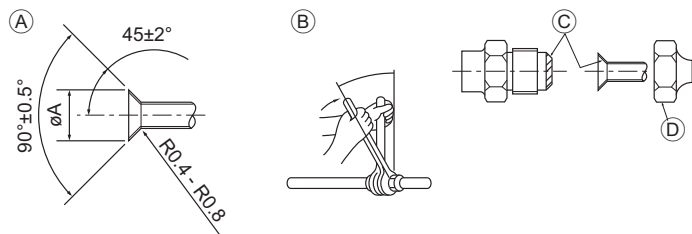


Рис. 4-1

Ⓐ Раструбный стык - размеры

Медная труба O.D. (мм)	Размеры раструба, диаметр А (мм)
ø9,52	12,8 - 13,2
ø15,88	19,3 - 19,7
ø19,05	22,9 - 23,3

Ⓑ Размеры магистрали хладагента и момент затяжки конусной гайки

Ⓒ Запрещается наносить холодильное масло на места установки винтов. (Это повысит риск ослабления конусных гаек.)

Ⓓ Обязательно используйте конусные гайки, закрепленные на главном блоке.

(При использовании гаек другого типа, имеющихся в продаже, могут появиться трещины.)

	R410A				Гайка раструбного стыка O.D.	
	Труба для жидкости		Труба для газа		Труба для жидкости (мм)	Труба для газа (мм)
	Размер трубы (мм)	Момент затяжки (Н·м)	Размер трубы (мм)	Момент затяжки (Н·м)		
P63	ODø9,52	34 - 42	ODø15,88	68 - 82	22	29
P100	ODø9,52	34 - 42	ODø15,88	68 - 82	22	29

Ⓔ Нанесите машинное масло охлаждения на всю поверхность области присоединения муфты.

4.1. Соединение труб (Рис. 4-1)

- При использовании медных труб, имеющихся в продаже, оберните трубы для жидкости и газа имеющимися в продаже изоляционными материалами (с теплозащитой от 100 °С или выше, толщиной не менее 12 мм).
- Внутренняя часть дренажной трубы должна быть обернута в пенополиэтиленовый изолирующий материал (удельный вес 0,03; толщина 9 мм или более).
- Нанесите тонкий слой масла хладагента на контактную поверхность труб и соединений перед тем, как затягивать гайку с фланцем.
- Для затягивания трубных соединений используйте два гаечных ключа.
- Используйте прилагаемое трубное изоляционное покрытие для изоляции соединений внутреннего блока. Тщательно крепите изоляцию.

⚠ Предупреждение:

При установке прибора надежно подсоедините трубы подачи охлаждающей жидкости до запуска компрессора.

■ PKFY-P-VKM-E

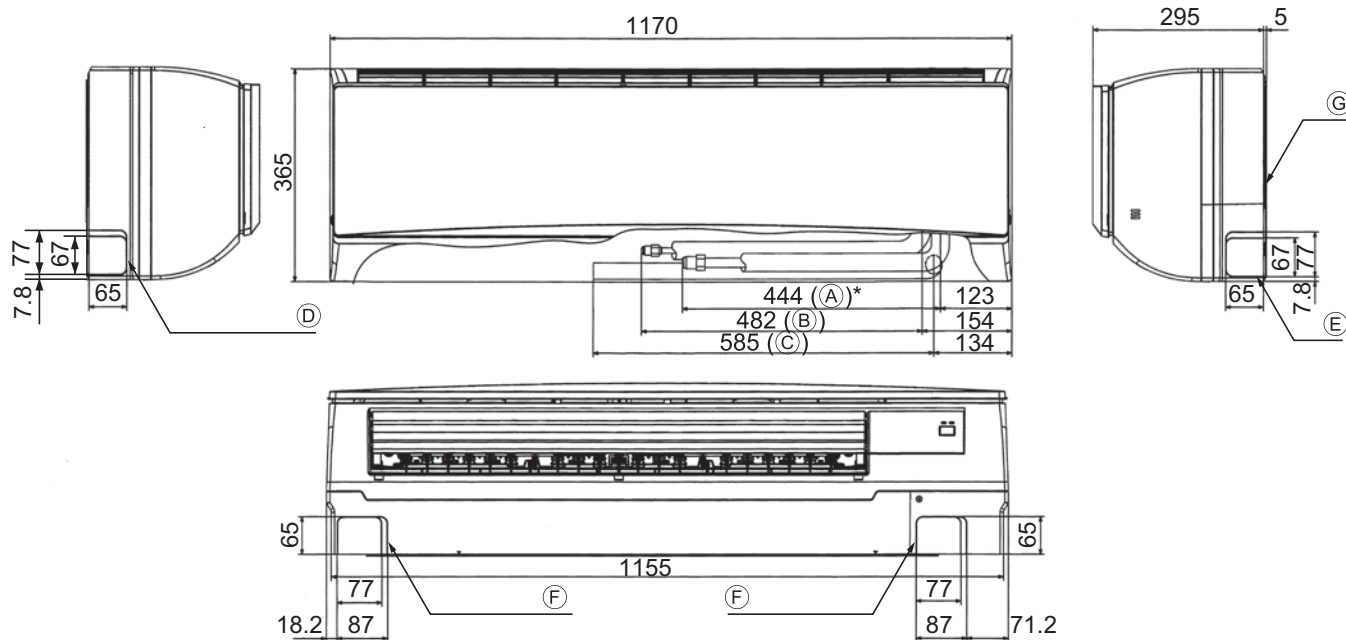


Рис. 4-2

4.2. Выбор расположения труб хладагента и дренажных труб (Рис. 4-2)

■ PKFY-P-VKM-E

- Ⓐ Труба газового контура * При установке с аксессуарами.
- Ⓑ Труба жидкостного контура
- Ⓒ Дренажная трубка
- Ⓓ Заглушка отверстия для левой трубки
- Ⓔ Заглушка отверстия для правой трубки
- Ⓕ Заглушка отверстия для нижней трубки
- Ⓖ Монтажная плита ①

4. Прокладка труб хладагента

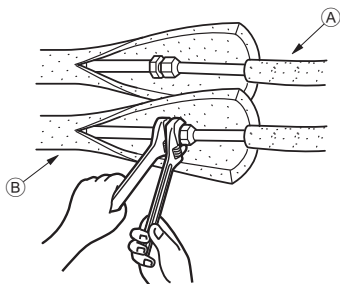


Рис. 4-3

■ РКФУ-Р-VKM-E

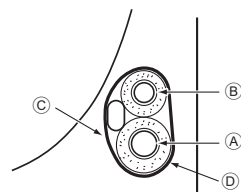


Рис. 4-4

4.3. Трубы хладагента (Рис. 4-3)

Внутренний прибор

1. Снимите гайку раструба и колпачок внутреннего прибора.
2. Сделайте раструб на трубе хладагента и на трубе для газа и нанесите немного охлаждающего машинного масла (продается местным поставщиком) на поверхность седла раструба.
3. Быстро подсоедините местные трубы к прибору.
4. Оберните оболочку трубы, которая прикрепена к трубе для газа, и убедитесь в том, что место соединения невидимо.
5. Оберните оболочку трубы для жидкости внутреннего прибора и убедитесь в том, что она покрывает изоляционный материал местной трубы для жидкости.
6. Место соединения изоляционного материала уплотняется лентой.
 - Ⓐ Трубка хладагента со стороны площадки
 - Ⓑ Трубка хладагента со стороны блока

4.3.1. Укладка в место для трубок блока (Рис. 4-4)

1. Во избежание конденсации обмотайте прилагаемой изоляцией область трубки хладагента, которая будет устанавливаться на внутреннем блоке.
2. Перехлест изоляции должен составлять половину ее ширины.
3. Закрепите конец изоляции скотчем.
 - Ⓐ Труба газового контура
 - Ⓑ Труба жидкостного контура
 - Ⓒ Провод для соединения внутреннего и наружного блока
 - Ⓓ Изоляция Ⓝ

5. Дренажные трубы

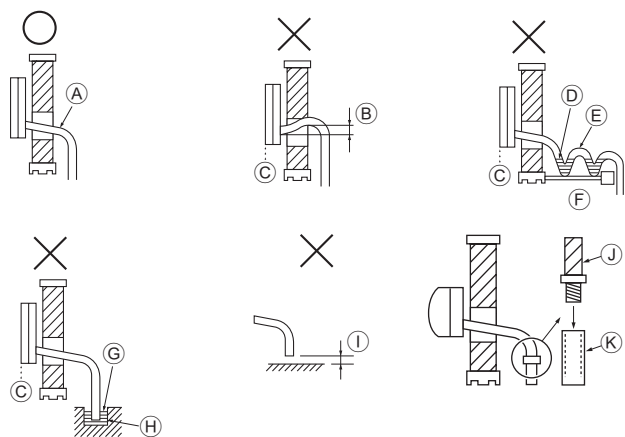


Рис. 5-1

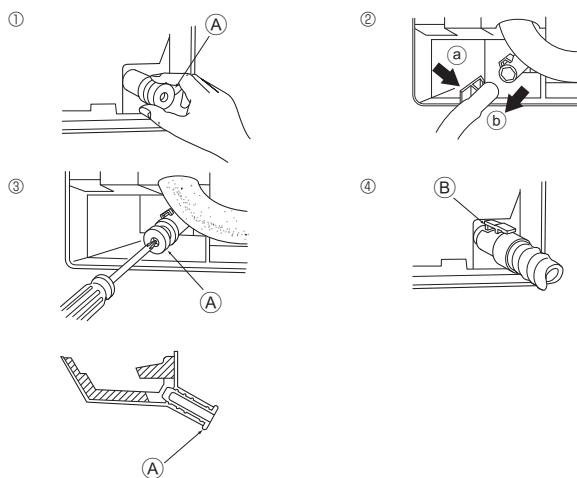


Рис. 5-2

■ PKFY-P-VKM-E

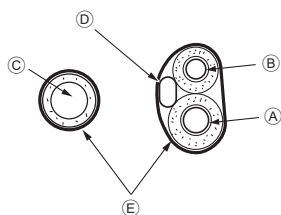


Рис. 5-3

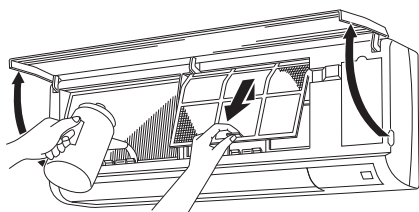


Рис. 5-4

5.1. Дренажные трубы (Рис. 5-1)

- Дренажные трубы должны иметь наклон 1/100 или более.
- Для удлинения дренажных труб используйте мягкий шланг (внутренний диаметр 15 мм), имеющийся в продаже, или трубу из твердого винилхлорида (VP-16/Трубы из ПВХ, О.Д. \varnothing 22). Убедитесь, что в местах соединения нет утечек.
- Не помещайте дренажные трубы непосредственно в дренажную канаву, где возможно образование сернистого газа.
- После завершения прокладки труб, проверьте поток воды из и от дренажной трубы.

⚠ Осторожно:

Дренажная труба должна быть установлена в соответствии с инструкциями в данном руководстве для обеспечения правильного дренажа. Термоизоляция дренажных труб необходима для предотвращения конденсации. Если дренажные трубы не установлены и не изолированы как требуется, может появиться конденсация на потолке и вода будет капать на пол и на ваше имущество.

- Ⓐ Наклон вниз
- Ⓑ Должен быть ниже выходного патрубка
- Ⓒ Протечка воды
- Ⓓ Скопившийся конденсат
- Ⓔ Воздух
- Ⓕ Неровный
- Ⓖ Торец дренажной трубки под водой.
- Ⓗ Дренажный лоток
- Ⓚ 5 см и менее между торцом дренажной трубки и землей.
- Ⓛ Дренажная трубка
- Ⓜ Мягкий шланг из ПВХ (внутренний диаметр 15 мм) или
Твердая трубка из ПВХ (VP-16)
* Скрепить клеящим средством на основе ПВХ

Подготовка труб слева и слева сзади (Рис. 5-2)

- ① Снимите дренажный колпачок.
- Снимайте дренажный колпачок, взявшись за деталь, выступающую из конца трубы, и при этом тяните на себя.
 - Ⓐ Дренажный колпачок
- ② Снимите дренажный шланг.
 - Снимайте дренажный шланг, взявшись за основание шланга Ⓜ (показано стрелкой), и при этом тяните на себя ①.
- ③ Вставьте дренажный колпачок.
 - Вставьте отвертку или т.п. приспособление в отверстие на конце трубы и обязательно давите на основание дренажного колпачка.
- ④ Вставьте дренажный шланг.
 - Давите на дренажный шланг, пока он не дойдет до основания выпускного соединительного отверстия дренажной коробки.
 - Убедитесь в том, что крючок дренажного шланга прочно прикреплен к выступающему выпускному соединительному отверстию дренажной коробки.
 - Ⓑ Крючки

◆ Укладка в место для трубок внутреннего блока (Рис. 5-3)

- * Если дренажная трубка будет проложена внутри помещения, изолируйте ее имеющимися в продаже материалами.
- * Сложите вместе трубку хладагента и дренажную трубку и обмотайте их прилагаемой изоляцией ⑤.
- * Перехлест изоляции ⑤ должен составлять $\frac{1}{2}$ ее ширины.
- * Закрепите конец изоляции скотчем.

- Ⓐ Труба газового контура
- Ⓑ Труба жидкостного контура
- Ⓒ Дренажная трубка
- Ⓓ Провод для соединения внутреннего и наружного блока
- Ⓔ Изоляция ⑤

◆ Проверка дренажа (Рис. 5-4)

1. Откройте переднюю решетку и снимите фильтр.
2. Со стороны ребер охлаждения теплообменника медленно залейте воду.
3. После проверки дренажа подсоедините фильтр и закройте решетку.

6. Электрические работы

■ PKFY-P-VKM-E

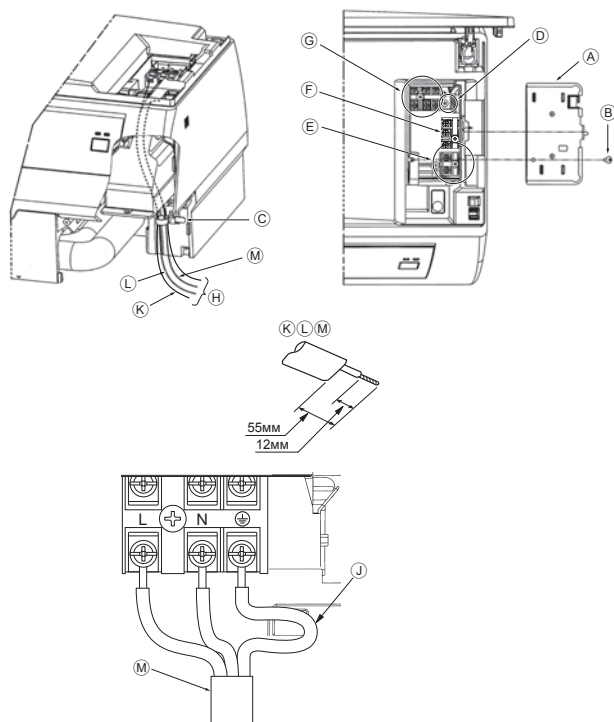


Рис. 6-1

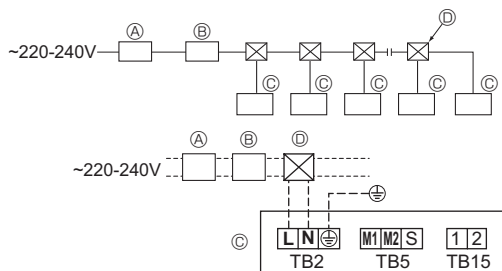


Рис. 6-2

6.1. Электрические работы

■ PKFY-P-VKM-E (Рис. 6-1)

Предусмотрена возможность подсоединения без снятия передней панели.

1. Откройте переднюю решетку, снимите винт (1 шт.), затем снимите крышку электрических компонентов.
2. Надежно подсоедините провода к клеммному щитку.
 - * Учитывая необходимость в обслуживании, оставляйте запас проводов по длине.
 - * Будьте осторожны при использовании многожильных проводов, поскольку свободные жилы могут привести к замыканию проводки.
3. Установите на место снятые части.
4. Закрепите каждый провод хомутом под блоком электрических компонентов.

- Ⓐ Крышка блока электрических компонентов
- Ⓑ Крепежный винт
- Ⓒ Хомут
- Ⓓ Часть для подсоединения провода заземления
- Ⓔ Клеммная колодка дистанционного управления МА: (1, 2) не имеют полярности
- Ⓕ Клеммная колодка передающего устройства: (M1, M2, S) не имеют полярности
- Ⓖ Клеммная колодка питания (фаза, нейтраль, заземление).
- Ⓗ Направляющая
- Ⓙ Часть для подсоединения провода заземления: Подсоедините провод заземления в направлении, указанном на схеме.
- Ⓚ Провод пульта дистанционного управления
- Ⓛ Коммуникационный кабель
- Ⓜ Силовой кабель

6.2. Силовая проводка

- Диаметр проводов должен соответствовать применимым местным и национальным нормам.
- Класс проводов электропитания должен быть не ниже 245 IEC 53 или 227 IEC57, 245 IEC 53 или 227 IEC 53.
- Длина устанавливаемого кабеля заземления должна превышать длину других кабелей.
- При установке кондиционера следует предусмотреть переключатель с расстоянием между контактами 3 мм, 1/8 дюйма на каждом проводе.

[Рис.6-2]

- Ⓐ Устройство защитного отключения
- Ⓑ Вводной автоматический выключатель/автоматический выключатель проводки
- Ⓒ Внутренний прибор
- Ⓓ Проходная коробка

⚠ Предупреждение:
Никогда не подсоединяйте внахлест силовой кабель или соединительный кабель внешнего питания. Это может привести к задымлению, возгоранию или неисправности.

6. Электрические работы

Общий рабочий ток внутреннего прибора	Минимальная толщина провода (мм ²)			Устройство защитного отключения *1	Вводной автоматический выключатель (А)		Автоматический выключатель проводки (без предохранителя)
	Магистральный кабель	Ответвление	Заземление		Мощность	Предохранитель	
F0 = 16 А или меньше *2	1,5	1,5	1,5	Чувствительность по току 20 А *3	16	16	20
F0 = 25 А или меньше *2	2,5	2,5	2,5	Чувствительность по току 30 А *3	25	25	30
F0 = 32 А или меньше *2	4,0	4,0	4,0	Чувствительность по току 40 А *3	32	32	40

Предельно допустимое полное сопротивление системы должно соответствовать стандарту IEC61000-3-3.

*1 Устройство защитного отключения должно поддерживать инверторную схему.

Устройство защитного отключения следует использовать совместно с вводным автоматическим выключателем или автоматическим выключателем проводки.

*2 В качестве значения "F0" следует использовать большее из значений "F1" или "F2".

F1 = максимальный общий рабочий ток внутренних приборов × 1,2

F2 = {V1 × (количество внутренних приборов типа 1)/C} + {V1 × (количество внутренних приборов типа 2)/C} + {V1 × (количество внутренних приборов типа 3)/C} + {V1 × (количество внутренних приборов других типов)/C}

Внутренний прибор		V1	V2
Тип 1	PLFY-VBM, PMFY-VBM, PEFY-VMS, PFFY-VKM, PCFY-VKM, PKFY-VHM, PKFY-VKM, PLFY-VCM	18,6	2,4
Тип 2	PEFY-VMA	38	1,6
Тип 3	PEFY-VMHS	13,8	4,8
Другие типы	Другой тип внутреннего прибора	0	0

C : несколько значений тока расцепления при времени расцепления 0,01 с

Из характеристик расцепления автоматического выключателя выберите "C".

<Пример расчета "F2">

*Условие PEFY-VMS × 4 + PEFY-VMA × 1, C = 8 (см. типовой график справа)

$$F2 = 18,6 \times 4/8 + 38 \times 1/8$$

$$= 14,05$$

→ Автоматический выключатель 16 А (Ток расцепления = 8 × 16 А при 0,01 с)

*3 Чувствительность по току рассчитывается по следующей формуле.

$$G1 = V2 \times (\text{количество внутренних приборов типа 1}) + V2 \times (\text{количество внутренних приборов типа 2}) +$$

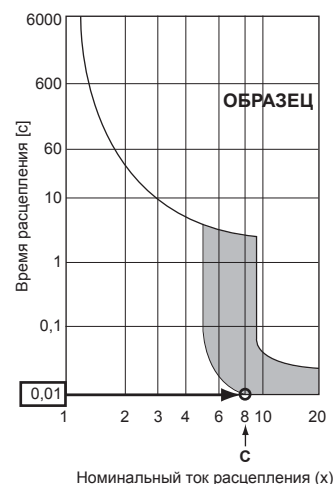
$$V2 \times (\text{количество внутренних приборов типа 3}) + V2 \times (\text{количество внутренних приборов других типов}) +$$

$$V3 \times (\text{длина провода [км]})$$

G1	Чувствительность по току
30 или меньше	30 мА 0,1 с или меньше
100 или меньше	100 мА 0,1 с или меньше

Толщина провода	V3
1,5 мм ²	48
2,5 мм ²	56
4,0 мм ²	66

Типовой график



6.3. Типы кабелей управления

1. Коммуникационные кабели

Типы коммуникационных кабелей	Экранированный провод CVVS или CPEVS
Диаметр кабеля	Свыше 1,25 мм ²
Длина	Менее 200 м

2. Кабели дистанционного управления "M-NET"

Тип кабеля дистанционного управления	Экранированный провод MVVS
Диаметр кабеля	Свыше 0,5 до 1,25 мм ²
Длина	Для кабелей свыше 10 м длина не должна превышать максимальную допустимую длину коммуникационного кабеля, равную 200 м.

3. Кабели дистанционного управления "MA"

Тип кабеля дистанционного управления	2-жильный кабель (неэкранированный)
Диаметр кабеля	От 0,3 до 1,25 мм ²
Длина	Менее 200 м

6. Электрические работы

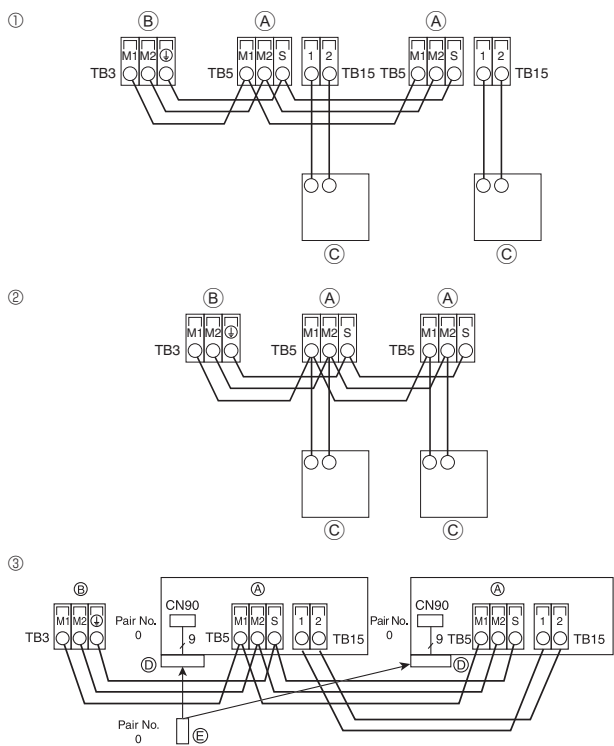


Рис. 6-3

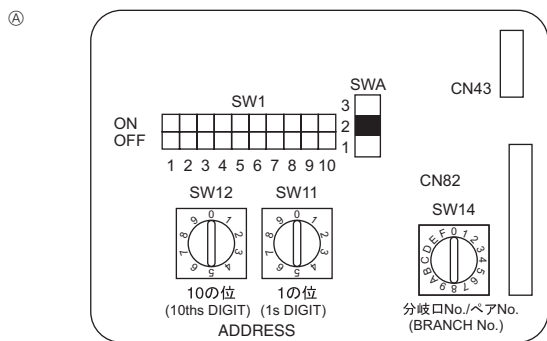


Рис. 6-4

6.4. Подсоединение пульта дистанционного управления, кабелей передачи внутри и снаружи (Рис. 6-3)

- Подсоедините внутренний прибор TB5 к внешнему прибору TB3 (неполяризованный двухжильный провод). "S" на внутреннем приборе TB5 - это соединение экранированного провода. Технические условия соединения кабелей указаны в руководстве по установке наружного прибора.
- Установите пульт дистанционного управления, следуя инструкциям, приведенным в поставленном вместе с ним руководстве.
- Подсоедините кабель передачи пульта дистанционного управления в пределах 10 м с помощью 0,75 мм². Если расстояние превышает 10 м, используйте для соединения кабель 1,25 мм².
- ① Пульт дистанционного управления "MA"
- Подсоедините "1" и "2" на TB15 внутреннего блока кондиционера к Пульт дистанционного управления "MA". (Неполяризованный 2-жильный кабель)
- Между 1 и 2 постоянный ток 9 - 13 В (Пульт дистанционного управления "MA")
- ② Пульт дистанционного управления "M-NET"
- Подсоедините "M1" и "M2" на TB5 внутреннего блока кондиционера к Пульт дистанционного управления "M-NET". (Неполяризованный 2-жильный кабель)
- Между M1 и M2 постоянный ток 24 - 30 В (Пульт дистанционного управления "M-NET")
- ③ Беспроводной пульт дистанционного управления (в случае установки приемника беспроводных сигналов)
- Подключите провод беспроводного приемника (9-жильный провод) к разъему CN90 платы контроллера внутреннего блока.
- Если беспроводной пульт используется для одновременного управления более чем двумя блоками, подключите к каждому из них TB15 с соответствующим номером.
- Чтобы изменить настройку номера пары, см. Руководство по установке, прилагаемое к беспроводному пульту дистанционного управления. (Настройка по умолчанию для внутреннего блока и беспроводного пульта дистанционного управления: номер пары - 0.)
- Ⓐ Клеммная колодка для внутреннего коммуникационного кабеля
- Ⓑ Клеммная колодка для наружного коммуникационного кабеля (M1(A), M2(B), ⊕(S))
- Ⓒ Пульт дистанционного управления
- Ⓓ Беспроводной приемник
- Ⓔ Беспроводной пульт дистанционного управления

6.5. Установка адресов (Рис. 6-4)

(Убедитесь, что при выполнении этой работы подача электроэнергии отключена.)

- Имеются два способа установки поворотного переключателя: установка адресов от 1 до 9 и свыше 10, и установка номеров ветвей.
- ① Установка адресов
 - Пример: Для установки адреса "3" оставьте переключатель SW12 (для адресов свыше 10) в положении "0" и переведите переключатель SW11 (для адресов от 1 до 9) в положение "3".
- ② Установка номеров ответвлений с помощью переключателя SW14 (только для серии R2)
 - Определите номер соединения на ВС-контроллере для трубопровода хладагента внутреннего блока.
 - Для серий, отличных от R2, оставьте переключатель в положении "0".
- При отправке с завода-изготовителя поворотные переключатели установлены в положение "0". Переключатели используются для установки адресов и номеров ответвлений по желанию пользователя.
- Значения адресов внутренних блоков зависят от конкретной системы. Устанавливайте адреса и номера ответвлений в соответствии со "Сборником данных".

6.6. Измерение температуры внутри комнаты с помощью датчика, встроенного в пульт дистанционного управления

Для измерения температуры внутри комнаты с помощью датчика, встроенного в пульт дистанционного управления, установите переключатель SW1-7 и SW1-8 в требуемые положения также возможно регулировать воздушный поток при выключенном термометре режима обогрева.

6.7. Электрические характеристики

Символы: МТЦ: максимальный ток в цепи (= 1,25×ТЭПН)

ТЭПН: ток электродвигателя при полной нагрузке

ЭВВ: электродвигатель внутреннего вентилятора

Выходная мощность: номинальная выходная мощность электродвигателя вентилятора

Модель	Источник электропитания			ЭВВ	
	Напряжение (В)/ Частота (Гц)	Диапазон напряжения +- 10%	МТЦ (А)	Выходная мощность (кВт)	ТЭПН (А)
PKFY-P63VKM-E	220-240 В / 50 Гц 220 В / 60 Гц	Макс.: 264 В Мин.: 198 В	0,36	0,056	0,29
PKFY-P100VKM-E			0,63		

7. Выполнение испытания

7.1. Перед пробным прогоном

- ▶ После завершения установки, прокладки труб и электропроводки внутреннего и наружного приборов проверьте отсутствие утечки хладагента, слабых соединений кабеля питания или проводов управления и неправильной полярности, а также убедитесь, что все фазы питания подключены.
- ▶ Измерьте сопротивление между терминалами источника электропитания и заземлением с использованием 500-вольтного меггера и убедитесь, что сопротивление составляет не менее 1,0 МΩ.

- ▶ Запрещается выполнять этот замер на терминалах проводах управления (цепь низкого напряжения).

⚠ Предупреждение:
Не пользуйтесь кондиционером воздуха, если сопротивление изоляции ниже 1,0 МΩ.

Интерфейс контроллера

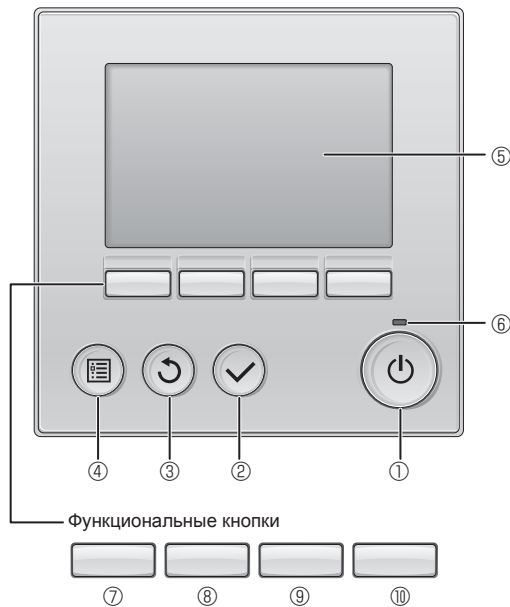


Fig. 7-1

7.2. Выполнение испытания

Возможны три способа.

7.2.1. Использование проводного пульта дистанционного управления (Fig. 7-1)

① Кнопка [ВКЛ/ВЫКЛ]

Нажмите, чтобы включить или выключить внутренний блок.

② Кнопка [ВЫБОР]

Нажмите, чтобы сохранить настройку.

③ Кнопка [ВОЗВРАТ]

Нажмите для возврата к предыдущему экрану.

④ Кнопка [МЕНЮ]

Нажмите, чтобы открыть главное меню.

⑤ Подсветка ЖК-экрана

Будут отображены параметры работы.

Когда подсветка выключена, нажатие на любую кнопку включит подсветку, которая будет работать некоторое время в зависимости от экрана.

Когда подсветка выключена, нажатие любой кнопки включает подсветку, но не приводит к выполнению ее функции (кроме кнопки [ВКЛ/ВЫКЛ]).

⑥ Индикатор ВКЛ/ВЫКЛ

Индикатор будет гореть зеленым цветом, когда устройство находится в работе. Индикатор будет мигать при включении контроллера или при возникновении ошибки.

⑦ Функциональная кнопка [F1]

Главное окно: нажмите для изменения режима работы.

Главное меню: нажмите, чтобы переместить курсор вниз.

⑧ Функциональная кнопка [F2]

Главное окно: нажмите для уменьшения температуры.

Главное меню: нажмите, чтобы переместить курсор вверх.

⑨ Функциональная кнопка [F3]

Главное окно: нажмите, чтобы увеличить температуру.

Главное меню: нажмите для перехода к предыдущей странице.

⑩ Функциональная кнопка [F4]

Главное окно: нажмите, чтобы изменить скорость вентилятора.

Главное меню: нажмите для перехода к следующей странице.

Шаг 1 Включите на пульте дистанционного управления режим "Test run" (Тестовый прогон).

- ① Выберите в Главном меню пункт "Service" (Сервисное обслуживание) и нажмите кнопку ☑.
- ② После выбора Сервисного меню появится окно ввода пароля. (Fig. 7-2)
Для ввода текущего пароля на отладку (4 цифры) установите курсор на цифру, которую нужно изменить, с помощью кнопок [F1] или [F2], а затем установите требуемую цифру (от 0 до 9) в каждой позиции кнопкой [F3] или [F4]. После этого нажмите кнопку ☑.

Примечание: По умолчанию установлен пароль на отладку "9999" Измените пароль по умолчанию, чтобы предотвратить несанкционированный доступ. Сообщите пароль только лицам, которым он необходим.

Примечание: В случае утери пароля на отладку его можно сбросить до значения по умолчанию ("9999") путем одновременного нажатия и удержания кнопок [F1] и [F2] в течение 3 секунд на экране установки пароля на отладку.

- ③ С помощью кнопки [F1] или [F2] выберите пункт "Test run" (Тестовый прогон) и нажмите кнопку ☑. (Fig. 7-3)
- ④ С помощью кнопки [F1] или [F2] выберите пункт "Test run" (Тестовый прогон) и нажмите кнопку ☑. (Fig. 7-4)

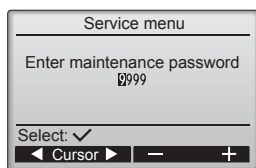


Fig. 7-2

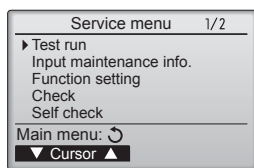


Fig. 7-3

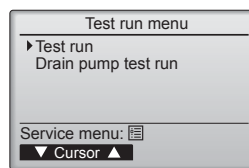


Fig. 7-4

7. Выполнение испытания

Шаг 2 Выполните пробный пуск и проверьте температуру воздушного потока и автоматическую работу жалюзи.

- ① Кнопкой [F1] выберите режим работы "Cool" (Охлаждение) или "Heat" (Нагревание). (Fig. 7-5)
 Режим охлаждения: проверьте выход охлажденного воздуха.
 Режим нагревания: проверьте выход нагретого воздуха.
 * Проверка работы вентилятора наружного блока.
- ② Нажмите кнопку [✓] и откройте окно настройки режима работы заслонки.

Проверка работы заслонки в автоматическом режиме

- ① С помощью кнопок [F1] [F2] проверьте работу заслонки в автоматическом режиме. (Fig. 7-6)
- ② Нажмите кнопку [↺] для возврата в режим "Test run" (Тестовый прогон).
- ③ Нажмите кнопку [⏻].

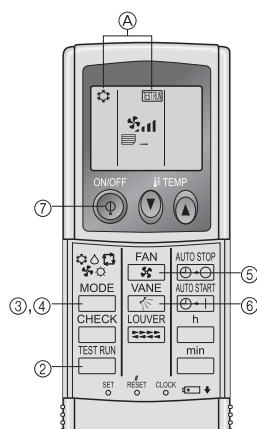


Fig. 7-7

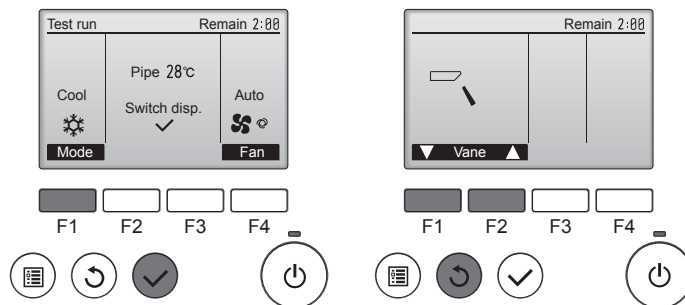


Fig. 7-5

Fig. 7-6

7.2.2. Использование беспроводного пульта дистанционного управления (Fig. 7-7)

- ① Включите питание блока по крайней мере за 12 часов до начала испытаний.
- ② Дважды нажмите кнопку [TEST RUN].
 (Начните данную операцию с выключенным дисплеем пульта дистанционного управления.)
 Ⓐ На дисплее появится индикация [TEST RUN] и индикация текущего режима работы.
- ③ Нажмите кнопку [MODE] (⚙️ ⚡️ ⚙️ ⚙️), чтобы активизировать режим COOL ⚙️, затем проверьте исправность выдува холодного воздуха из прибора.
- ④ Нажмите кнопку [MODE] (⚙️ ⚡️ ⚙️ ⚙️), чтобы активизировать режим HEAT ⚡️, затем проверьте исправность выдува теплого воздуха из прибора.
- ⑤ Нажмите кнопку [FAN] и проверьте, изменяется ли скорость вращения вентилятора.
- ⑥ Нажмите кнопку [VANE] и проверьте исправность работы автоматических заслонок.
- ⑦ Для остановки пробного прогона нажмите кнопку ON/OFF (ВКЛ./ВЫКЛ.).

Примечание:

- При выполнении операций с ② по ⑦ направьте пульт дистанционного управления на ресивер сигналов внутреннего прибора.
- Прогон в режимах FAN (ВЕНТИЛЯЦИЯ), DRY (СУШКА) или AUTO (АВТОМАТИЧЕСКИЙ) невозможен.

This product is designed and intended for use in the residential,
commercial and light-industrial environment.

Please be sure to put the contact address/telephone number on
this manual before handing it to the customer.



mitsubishi electric corporation

HEAD OFFICE: TOKYO BUILDING, 2-7-3, MARUNOUCHI, CHIYODA-KU, TOKYO 100-8310, JAPAN