

Air-Conditioners For Building Application

INDOOR UNIT

PKFY-P·VKM-E

PLFY-P·VCM-E2

PCFY-P·VKM-E

OPERATION MANUAL

For safe and correct use, please read this operation manual thoroughly before operating the air-conditioner unit.

FOR USER

BEDIENUNGSHANDBUCH

Zum sicheren und einwandfreien Gebrauch der Klimaanlage dieses Bedienungshandbuch vor Inbetriebnahme gründlich durchlesen.

FÜR BENUTZER

MANUEL D'UTILISATION

Pour une utilisation correcte sans risques, veuillez lire le manuel d'utilisation en entier avant de vous servir du climatiseur.

POUR L'UTILISATEUR

BEDIENINGSHANDLEIDING

Voor een veilig en juist gebruik moet u deze bedieningshandleiding grondig doorlezen voordat u de airconditioner gebruikt.

VOOR DE GEBRUIKER

MANUAL DE INSTRUCCIONES

Lea este manual de instrucciones hasta el final antes de poner en marcha la unidad de aire acondicionado para garantizar un uso seguro y correcto.

PARA EL USUARIO

ISTRUZIONI DI FUNZIONAMENTO

Leggere attentamente questi istruzioni di funzionamento prima di avviare l'unità, per un uso corretto e sicuro della stessa.

PER L'UTENTE

ΕΓΧΕΙΡΙΔΙΟ ΟΔΗΓΙΩΝ ΧΡΗΣΕΩΣ

Για ασφάλεια και σωστή χρήση, παρακαλείσθε διαβάσετε προσεχτικά αυτό το εγχειρίδιο χρήσεως πριν θέσετε σε λειτουργία τη μονάδα κλιματισμού.

ΓΙΑ ΤΟΝ ΧΡΗΣΤΗ

MANUAL DE OPERAÇÃO

Para segurança e utilização correctas, leia atentamente o manual de operação antes de pôr a funcionar a unidade de ar condicionado.

PARA O UTILIZADOR

İşletme Elkitabı

Emniyetli ve doğru biçimde nasıl kullanılacağını öğrenmek için lütfen klima cihazını işletmeden önce bu elkitabını dikkatle okuyunuz.

KULLANICI İÇİN

РУКОВОДСТВО ПО ЭКСПЛУАТАЦИИ

Для обеспечения правильного и безопасного использования следует ознакомиться с инструкциями, указанными в данном руководстве по эксплуатации, тщательным образом до того, как приступить к использованию кондиционера.

ДЛЯ ПОЛЬЗОВАТЕЛЯ

操作说明书

在操作空调机之前，请全面阅读本操作说明书，以便安全和正确地使用本机。

用户适用**English (GB)****Deutsch (D)****Français (F)****Nederlands (NL)****Español (E)****Italiano (I)****Ελληνικά (GR)****Português (P)****Türkçe (TR)****Русский (RU)****中文 (SC)**

Contents

1. Safety Precautions	2	7. Other Functions	12
2. Parts Names	3	8. Function Selection	13
3. Screen Configuration	6	9. Emergency Operation for Wireless Remote-controller	17
4. Setting the Day of the Week and Time	6	10. Care and Cleaning	17
5. Operation	6	11. Trouble shooting	19
6. Timer	9	12. Specifications	21

1. Safety Precautions

- ▶ Before installing the unit, make sure you read all the “Safety Precautions”.
- ▶ The “Safety Precautions” provide very important points regarding safety. Make sure you follow them.
- ▶ Please report to or take consent by the supply authority before connection to the system.

Symbols used in the text

⚠ Warning:

Describes precautions that should be observed to prevent danger of injury or death to the user.

⚠ Caution:

Describes precautions that should be observed to prevent damage to the unit.

Symbols used in the illustrations

⚡ : Indicates a part which must be grounded.

Note:

The phrase “Wired remote controller” in this operation manual refers to the PAR-21MAA. If you need any information for the other remote controller, please refer to the instruction book included in these box.

⚠ Warning:

- These appliances are not accessible to the general public.
- The unit must not be installed by the user. Ask the dealer or an authorized company to install the unit. If the unit is installed improperly, water leakage, electric shock or fire may result.
- Do not stand on, or place any items on the unit.
- Do not splash water over the unit and do not touch the unit with wet hands. An electric shock may result.
- Do not spray combustible gas close to the unit. Fire may result.
- Do not place a gas heater or any other open-flame appliance where it will be exposed to the air discharged from the unit. Incomplete combustion may result.
- Do not remove the front panel or the fan guard from the outdoor unit when it is running.
- Never repair the unit or transfer it to another site by yourself.
- When you notice exceptionally abnormal noise or vibration, stop operation, turn off the power switch, and contact your dealer.
- Never insert fingers, sticks etc. into the air inlets or outlets.
- If you detect odd smells, stop using the unit, turn off the power switch and consult your dealer. Otherwise, a breakdown, electric shock or fire may result.
- This air conditioner is NOT intended for use by children or infirm persons without supervision.

- Young children must be supervised to ensure that they do not play with the air conditioner.
- If the refrigeration gas blows out or leaks, stop the operation of the air conditioner, thoroughly ventilate the room, and contact your dealer.
- This appliance is not intended for use by persons (including children) with reduced physical, sensory or mental capabilities, or lack of experience and knowledge, unless they have been given supervision or instruction concerning use of the appliance by a person responsible for their safety.
- When installing or relocating, or servicing the air conditioner, use only the specified refrigerant (R410A) to charge the refrigerant lines. Do not mix it with any other refrigerant and do not allow air to remain in the lines.
If air is mixed with the refrigerant, then it can be the cause of abnormal high pressure in the refrigerant line, and may result in an explosion and other hazards. The use of any refrigerant other than that specified for the system will cause mechanical failure or system malfunction or unit breakdown. In the worst case, this could lead to a serious impediment to securing product safety.

⚠ Caution:

- Do not use any sharp object to push the buttons, as this may damage the remote controller.
- Never block or cover the indoor or outdoor unit’s air inlets or outlets.
- Never wipe the remote controller with benzene, thinner chemical rags, etc.
- Do not operate the unit for a long time in high humidity, e.g. leaving a door or window open. In the cool mode, if the unit is operated in a room with high humidity (80% RH or more) for a long time, water condensed in the air conditioner may drop and wet or damage furniture, etc.

- Do not touch the upper air outlet vane or the lower air outlet damper during operation. Otherwise, condensation may form and the unit may stop operating.

Disposing of the unit

When you need to dispose of the unit, consult your dealer.

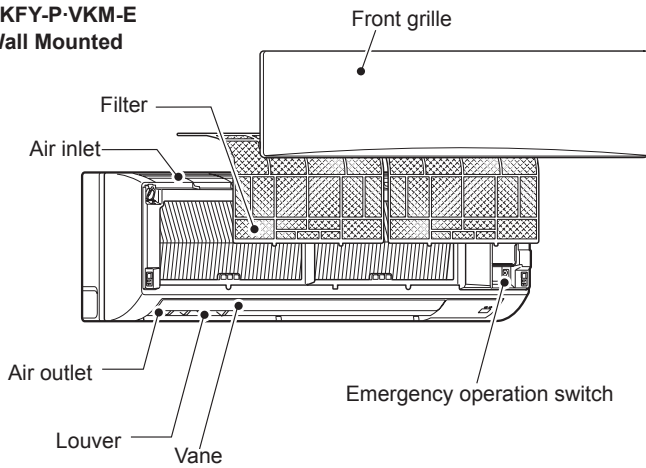
2. Parts Names

Indoor Unit

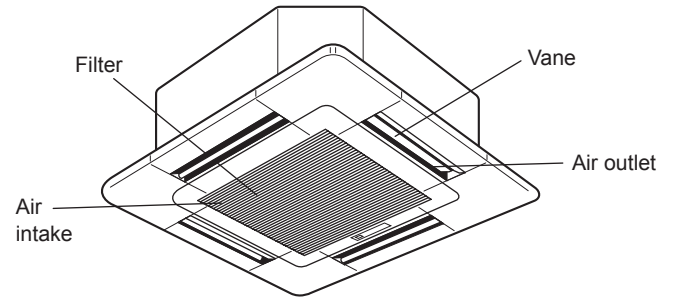
		PKFY-P-VKM-E	PLFY-P-VCM-E2	PCFY-P-VKM-E
Fan speed		2 speed	3 speed	4 speed+ Auto*
Vane	Steps	4 steps	4 steps	5 steps
	Auto Swing	○	○	○
Louver		Manual	—	Manual
Filter		Normal	Long-life	Long-life
Filter cleaning indication		100 hr	2,500 hr	2,500 hr

* This operation is available only using the remote controller that is able to set its Fan speed setting "Auto".

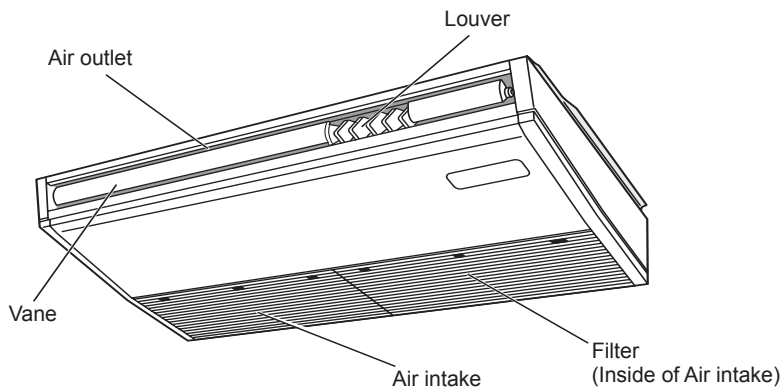
PKFY-P-VKM-E Wall Mounted



PLFY-P-VCM-E2 4-way Ceiling Cassette



PCFY-P-VKM-E Ceiling Suspended



2. Parts Names

■ Wired Remote-Controller (Optional parts)

Display Section

For purposes of this explanation, all parts of the display are shown as lit. During actual operation, only the relevant items will be lit.

Identifies the current operation

Shows the operation mode, etc.
* Multi language display is supported.

“Centrally Controlled” indicator

Indicates that operation of the remote controller has been prohibited by a master controller.

“Timer is Off” indicator

Indicates that the timer is off.

Temperature Setting

Shows the target temperature.

Day-of-Week

Shows the current day of the week.

Time/Timer Display

Shows the current time, unless the simple or Auto Off timer is set.
If the simple or Auto Off timer is set, shows the time remaining.

“Sensor” indicator

Displayed when the remote controller sensor is used.

“Locking function” indicator

Indicates that remote controller buttons have been locked.

“Clean the filter” indicator

Comes on when it is time to clean the filter.

Timer indicators

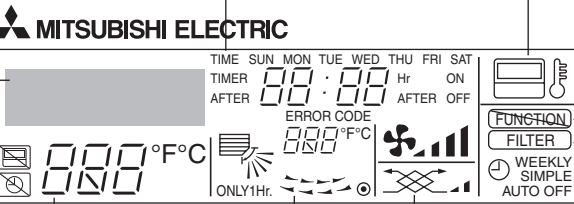
The indicator comes on if the corresponding timer is set.

Fan Speed indicator

Shows the selected fan speed.

Ventilation indicator

Appears when the unit is running in Ventilation mode.



Airflow up/down direction indicator

The indicator shows the direction of the outgoing airflow.

“One Hour Only” indicator

Displayed if the airflow is set to Low and downward during COOL or DRY operation mode. (Operation varies according to model.)
The indicator goes off after one hour when the airflow up/down direction also changes.

Room Temperature display

Shows the room temperature. The room temperature display range is 8–39 °C. The display blinks if the temperature is less than 8 °C or 39 °C or more.

Louver display

Indicates the action of the swing louver. Does not appear if the louver is stationary.

● (Power On indicator)

Indicates that the power is on.

Operation Section

Temperature set buttons

▽ Down

△ Up

Timer Menu button
(Timer monitor/Timer set button)

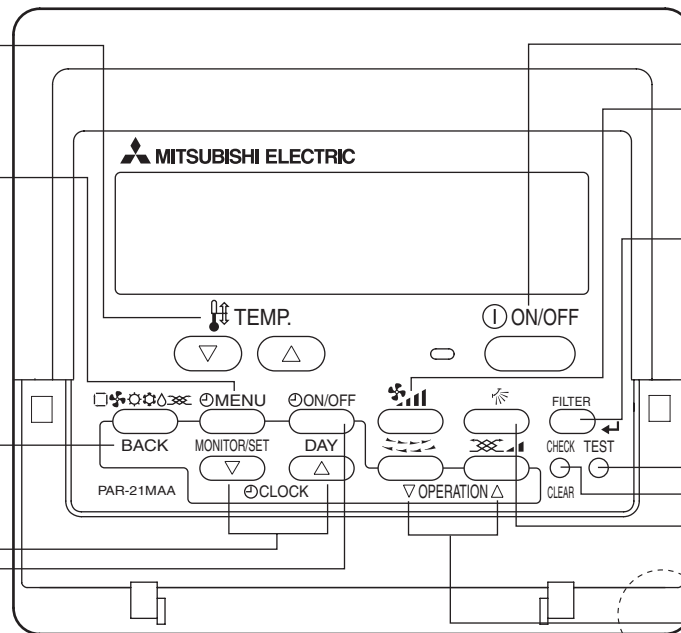
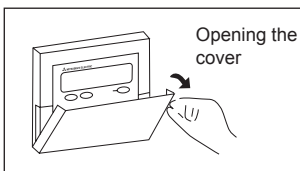
Operation mode button
(Back button)

Set Time buttons

▽ Back

△ Ahead

Timer On/Off button
(Set Day button)



ON/OFF button

Fan Speed button

Filter button
(<Enter> button)

Test Run button

Check button
(Clear button)

Airflow up/down button

Louver button
(▽ Operation button)

▽ To preceding operation number.

Ventilation button
(△ Operation button)

△ To next operation number.

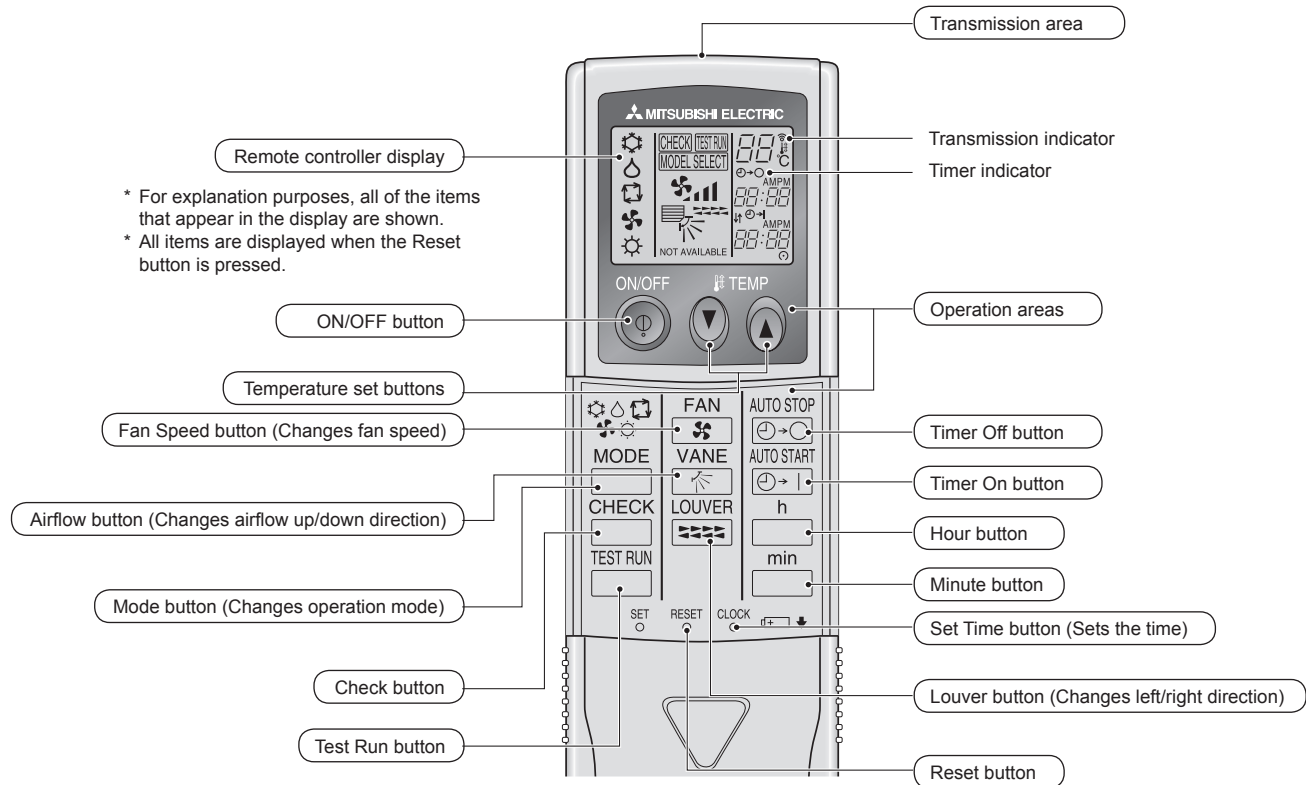
Built-in temperature sensor

Note:

- “PLEASE WAIT” message
This message is displayed for approximately 3 minutes when power is supplied to the indoor unit or when the unit is recovering from a power failure.
- Operation mode flashing display
When multiple indoor units are connected to a single outdoor unit and an operation mode is selected for one indoor unit that is different from the current operation mode of another indoor unit, the operation mode display flashes. Select the same operation mode of the other indoor unit.
- “NOT AVAILABLE” message
This message is displayed if a button is pressed to operate a function that the indoor unit does not have.
When the same remote controller is used to operate multiple indoor units, this message is displayed if the main indoor unit is not equipped with the selected function.
- Room temperature display
The indoor unit temperature sensors or the remote controller temperature sensor can be selected to measure the room temperature. The indoor unit temperature sensors are the initial setting. When the indoor unit temperature sensors are selected to measure the room temperature, the room temperature measured at the main indoor unit is displayed on the remote controller that operates multiple indoor units.

2. Parts Names

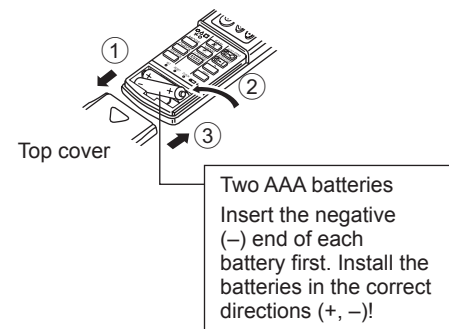
■ Wireless Remote-Controller (Optional parts)



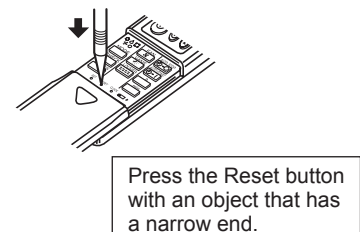
- When using the wireless remote controller, point it towards the receiver on the indoor unit.
- If the remote controller is operated within approximately 2 minutes after power is supplied to the indoor unit, the indoor unit may beep twice as the unit is performing the initial automatic check.
- The indoor unit beeps to confirm that the signal transmitted from the remote controller has been received. Signals can be received up to approximately 7 meters in a direct line from the indoor unit in an area 45° to the left and right of the unit. However, illumination such as fluorescent lights and strong light can affect the ability of the indoor unit to receive signals.
- If the operation lamp near the receiver on the indoor unit is flashing, the unit needs to be inspected. Consult your dealer for service.
- Handle the remote controller carefully! Do not drop the remote controller or subject it to strong shocks. In addition, do not get the remote controller wet or leave it in a location with high humidity.
- To avoid misplacing the remote controller, install the holder included with the remote controller on a wall and be sure to always place the remote controller in the holder after use.

Battery installation/replacement

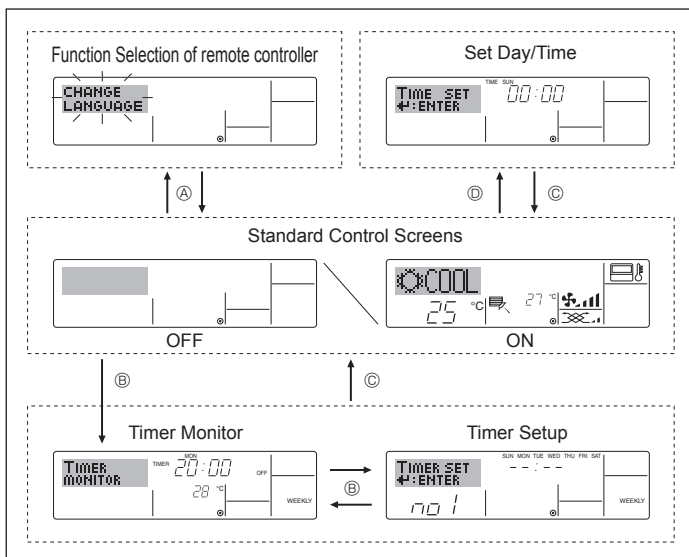
1. Remove the top cover, insert two AAA batteries, and then install the top cover.



2. Press the Reset button.



3. Screen Configuration



<Screen Types>

For details on setting the language for the remote controller display, refer to section 8. Function Selection.

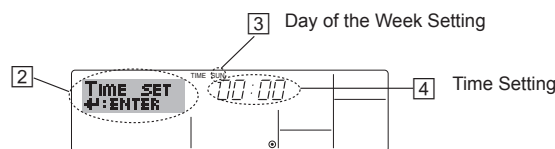
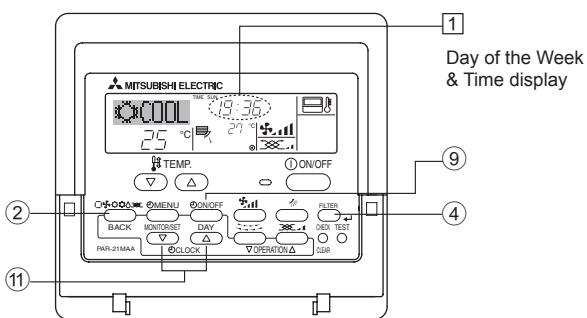
The initial language setting is English.

- **Function Selection of remote controller:** Set the functions and ranges available to the remote controller (timer functions, operating restrictions, etc.)
- **Set Day/Time:** Set the current day of the week or time.
- **Standard Control Screens:** View and set the air conditioning system's operating status
- **Timer Monitor:** View the currently set timer (weekly timer, simple timer, or Auto Off timer)
- **Timer Setup:** Set the operation of any of the timers (weekly timer, simple timer, or Auto Off timer).

<How to change the screen>

- Ⓐ : Hold down both the Operation mode button and the Timer On/Off button for 2 seconds.
- Ⓑ : Press the Timer Menu button.
- Ⓒ : Press the Operation mode (Back) button.
- Ⓓ : Press either of the Set Time buttons (▽ or △).

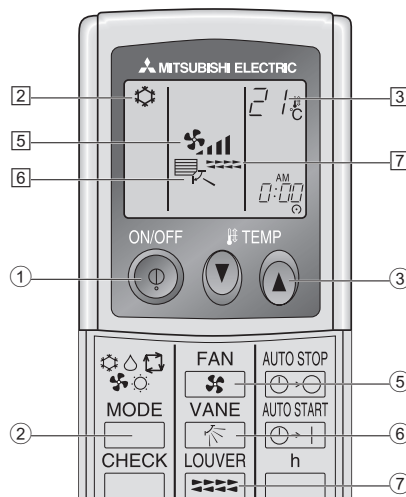
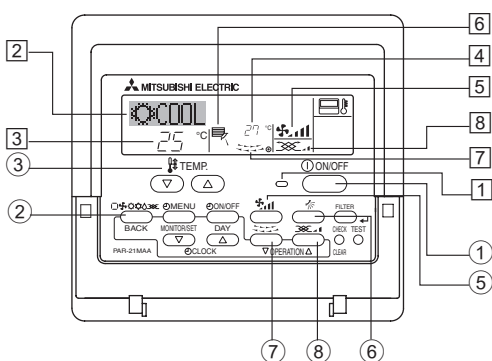
4. Setting the Day of the Week and Time



1. Press the ▽ or △ Set Time button ① to show display ②.
2. Press the Timer On/Off (Set Day) button ⑨ to set the day.
* Each press advances the day shown at ③ : Sun → Mon → ... → Fri → Sat.
3. Press the appropriate Set Time button ⑩ as necessary to set the time.
* As you hold the button down, the time (at ④) will increment first in minute intervals, then in ten-minute intervals, and then in one-hour intervals.
4. After making the appropriate settings at Steps 2 and 3, press the Filter ← button ④ to lock in the values.

Note:
The day and time will not appear if clock use has been disabled at Function Selection of remote controller.

5. Operation



5.1. Turning ON/OFF

<To Start Operation>

- Press the ON/OFF button ①.
 - The ON lamp ② and the display area come on.

Note:
● When the unit is restarted, initial settings are as follows.

		Remote Controller settings	
Mode		Last operation mode	
Temperature setting		Last set temperature	
Fan speed		Last set fan speed	
Airflow up/down	Mode	COOL or DRY	Last setting
		HEAT	Last setting
		FAN	Last setting

<To Stop Operation>

- Press the ON/OFF button ① again.
 - The ON lamp ② and the display area go dark.

Note:
Even if you press the ON/OFF button immediately after shutting down the operation is progress, the air conditioner will not start for about three minutes. This is to prevent the internal components from being damaged.

5. Operation

<To Stop Operation>

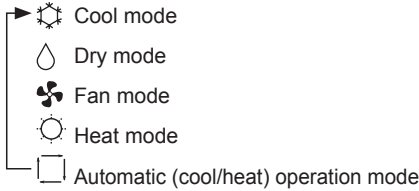
- Press the ON/OFF button ① again.
 - The ON lamp ① and the display area go dark.

Note:

Even if you press the ON/OFF button immediately after shutting down the operation is progress, the air conditioner will not start for about three minutes. This is to prevent the internal components from being damaged.

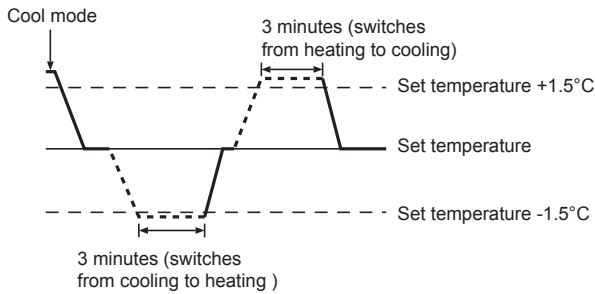
5.2. Operation mode select

- Press the operation mode (□, ⚙️, ⚙️, ⚙️) button ② and select the operation mode ③.



Automatic operation

- According to a set temperature, cooling operation starts if the room temperature is too hot and heating operation starts if the room temperature is too cold.
- During automatic operation, if the room temperature changes and remains 1.5 °C or more above the set temperature for 3 minutes, the air conditioner switches to cool mode. In the same way, if the room temperature remains 1.5 °C or more below the set temperature for 3 minutes, the air conditioner switches to heat mode.



- Because the room temperature is automatically adjusted in order to maintain a fixed effective temperature, cooling operation is performed a few degrees warmer and heating operation is performed a few degrees cooler than the set room temperature once the temperature is reached (automatic energy-saving operation).

5.3. Temperature setting

▶ To decrease the room temperature:

Press button ③ to set the desired temperature. The selected temperature is displayed ④.

▶ To increase the room temperature:

Press button ③ to set the desired temperature. The selected temperature is displayed ④.

- Available temperature ranges are as follows:
 - Cooling/Drying: 19 - 30 °C
 - Heating: 17 - 28 °C
 - Automatic: 19 - 28 °C
- The display flashes either 8 °C or 39 °C to inform you if the room temperature is lower or higher than the displayed temperature.

5.4. Fan speed setting

- Press the Fan Speed button ⑤ as many times as necessary while the system is running.
 - Each press changes the force. The currently selected speed is shown at ⑥.
 - The change sequence, and the available settings, are as follows.

FAN SPEED	Display
2 speed model	Speed 1 → Speed 2
3 speed model	Speed 1 → Speed 2 → Speed 3
4 speed + Auto *	Speed 1 → Speed 2 → Speed 3 → Speed 4 → Auto

* For MA remote controller only.

Automatic fan speed setting is necessary for wireless remote controller.

Note:

- The number of available fan speeds depends on the type of unit connected. Note also that some units do not provide an "Auto" setting.
- In the following cases, the actual fan speed generated by the unit will differ from the speed shown the remote controller display.
 - While the display is showing "STAND BY" or "DEFROST".
 - When the temperature of the heat exchanger is low in the heat mode. (e.g. immediately after heat operation starts)
 - In HEAT mode, when room temperature is higher than the temperature setting.
 - When the unit is in DRY mode.

■ Automatic fan speed setting (For wireless remote controller)

It is necessary to set for wireless remote controller only when automatic fan speed is not set at default setting. It is not necessary to set for wired remote controller with automatic fan speed at default setting.

- Press the SET button with something sharp at the end. Operate when display of remote controller is off.

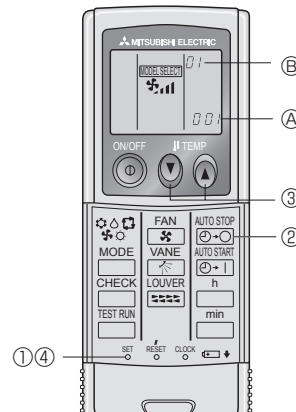
blinks and Model No. is lighted ①.

- Press the AUTO STOP button. blinks and setting No. is lighted ②. (Setting No.01: without automatic fan speed)

- Press the temp. buttons to set the setting No.02. (Setting No.02:with automatic fan speed)

If you mistook the operation, press the ON/OFF button and operate again from procedure ②.

- Press the SET button with something sharp at the end. and Model No. are lighted for 3 seconds, then turned off.



5. Operation

5.5. Airflow up/down direction setting

<To change the airflow up/down direction>

- With the unit running, press the Airflow up/down button ⑥ as necessary.
 - Each press changes the direction. The current direction is shown at ⑥.
 - The change sequence, and the available settings, are as follows.

Airflow	Display
4 steps model	
5 steps model*1	

* Note that during swing operation, the directional indication on the screen does not change in sync with the directional vanes on the unit.

* Some models do not support directional settings.

*1. For MA remote controller only, other remote controllers display the same as 4 steps model.

*2. Airflow direction setting <Auto>

COOL/FAN/DRY : Setting 1 (Horizontal),
HEAT : Setting 5 (Downward 5)

Note:

- Available directions depend on the type of unit connected. Note also that some units do not provide an “Auto” setting.
- In the following cases, the actual air direction will differ from the direction indicated on the remote controller display.
 1. While the display is showing “STAND BY” or “DEFROST”.
 2. Immediately after starting heater mode (while the system is waiting for the operation mode change to take effect).
 3. In heat mode, when room temperature is higher than the temperature setting.

<[Manual] To Change the Airflow's Left/Right Direction>

* The louver button ⑦ cannot be used.

■ Model PKFY-P-VKM-E

- Stop the unit operation, hold the lever of the louver, and adjust to the desired direction.

* Do not set to the inside direction when the unit is in the cooling or drying mode because there is a risk of condensation and water dripping.



⚠ Caution:

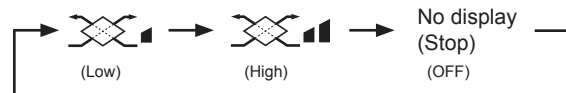
To prevent falls, maintain a stable footing when operating the unit.

5.6. Ventilation

▶ For LOSSNAY combination

5.6.1. For Wired Remote-controller

- To run the ventilator together with the indoor unit:
 - Press the ON/OFF button ①.
 - The Vent indication appears on the screen (at ⑧). The ventilator will now automatically operate whenever the indoor unit is running.
- To run the ventilator only when the indoor unit is off:
 - Press the Ventilation button ② while the indoor unit is off.
 - The On lamp (at ⑩) and the Vent indication (at ⑧) come on.
- To change the ventilator force:
 - Press the Ventilation button ③ as necessary.
 - Each press toggles the setting, as shown below.



Note:

- With some model configurations, the fan on the indoor unit may come on even when you set the ventilator to run independently.

6. Timer

6.1. For Wired Remote-controller

You can use Function Selection of remote controller to select which of three types of timer to use: ① Weekly timer, ② Simple timer, or ③ Auto Off timer.

6.1.1. Weekly Timer

■ The weekly timer can be used to set up to eight operations for each day of the week.

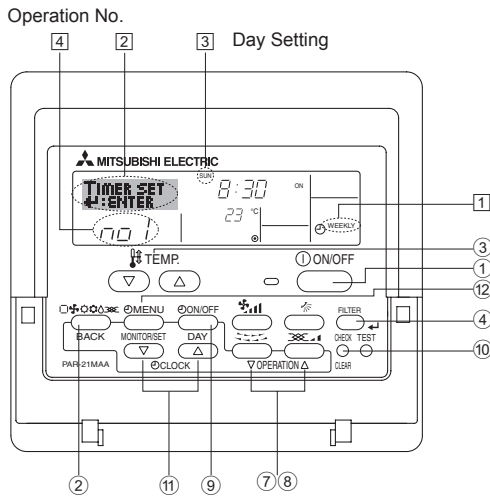
- Each operation may consist of any of the following: ON/OFF time together with a temperature setting, or ON/OFF time only, or temperature setting only.
- When the current time reaches a time set at this timer, the air conditioner carries out the action set by the timer.

■ Time setting resolution for this timer is 1 minute.

Note:

- *1. **Weekly Timer/Simple Timer/Auto Off Timer cannot be used at the same time.**
- *2. **The weekly timer will not operate when any of the following conditions is in effect.**

The timer feature is off; the system is in a malfunction state; a test run is in progress; the remote controller is undergoing self-check or remote controller check; the user is in the process of setting a function; the user is in the process of setting the timer; the user is in the process of setting the current day of the week or time; the system is under central control. (Specifically, the system will not carry out operations (unit on, unit off, or temperature setting) that are prohibited during these conditions.)



<How to Set the Weekly Timer>

1. Be sure that you are at a standard control screen, and that the weekly timer indicator ① is shown in the display.
 2. Press the Timer Menu button ②, so that the "Set Up" appears on the screen (at ②). (Note that each press of the button toggles the display between "Set Up" and "Monitor".)
 3. Press the Timer On/Off (Set Day) button ③ to set the day. Each press advances the display at ③ to the next setting, in the following sequence: "Sun Mon Tues Wed Thurs Fri Sat" → "Sun" →... → "Fri" → "Sat" → "Sun Mon Tues Wed Thurs Fri Sat"...
 4. Press the ∇ or ∆ operation button (⑦ or ⑧) as necessary to select the appropriate operation number (1 to 8) ④.
 - * Your inputs at Steps 3 and 4 will select one of the cells from the matrix illustrated below.
- (The remote-controller display at left shows how the display would appear when setting Operation 1 for Sunday to the values indicated below.)

Setup Matrix

Op No.	Sunday	Monday	...	Saturday
No. 1	• 8:30 • ON • 23 °C			
No. 2	• 10:00 • OFF	• 10:00 • OFF	• 10:00 • OFF	• 10:00 • OFF
...				
No. 8				

<Operation 1 settings for Sunday>
Start the air conditioner at 8:30, with the temperature set to 23 °C.

<Operation 2 settings for every day>
Turn off the air conditioner at 10:00.

Note:

By setting the day to "Sun Mon Tues Wed Thurs Fri Sat", you can set the same operation to be carried out at the same time every day. (Example: Operation 2 above, which is the same for all days of the week.)

<Setting the Weekly Timer>

Shows the time ⑤ Shows the selected operation (ON or OFF) setting ⑥ * Does not appear if operation is not set.

Shows the temperature setting ⑦ * Does not appear if temperature is not set.

5. Press the appropriate Set Time button ⑤ as necessary to set the desired time (at ⑤).
 - * As you hold the button down, the time first increments in minute intervals, then in ten-minute intervals, and then in one-hour intervals.
6. Press the ON/OFF button ⑥ to select the desired operation (ON or OFF), at ⑥.
 - * Each press changes the next setting, in the following sequence: No display (no setting) → "ON" → "OFF"

6. Timer

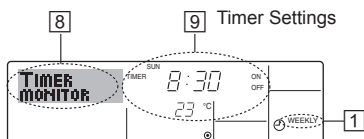
- Press the appropriate Temperature set button ③ to set the desired temperature (at ⑦).
 - * Each press changes the setting, in the following sequence: No display (no setting) ⇔ 24 ⇔ 25 ⇔ ... ⇔ 29 ⇔ 30 ⇔ 12 ⇔ ... ⇔ 23 ⇔ No display.
(Available range: The range for the setting is 12 °C to 30 °C. The actual range over which the temperature can be controlled, however, will vary according to the type of the connected unit.)
- After making the appropriate settings at Steps 5, 6 and 7, press the Filter ↵ button ④ to lock in the values.
To clear the currently set values for the selected operation, press and quickly release the Check (Clear) button ⑩ once.
 - * The displayed time setting will change to “—:—”, and the On/Off and temperature settings will all disappear.
(To clear all weekly timer settings at once, hold down the Check (Clear) button ⑩ for 2 seconds or more. The display will begin flashing, indicating that all settings have been cleared.)

Note:

Your new entries will be cancelled if you press the Operation mode (Back) button ② before pressing the Filter ↵ button ④.
If you have set two or more different operations for exactly the same time, only the operation with the highest Operation No. will be carried out.

- Repeat Steps 3 to 8 as necessary to fill as many of the available cells as you wish.
- Press the Operation mode (Back) button ② to return to the standard control screen and complete the setting procedure.
- To activate the timer, press the Timer On/Off button ⑨, so that the “Timer Off” indication disappears from the screen. **Be sure that the “Timer Off” indication is no longer displayed.**
 - * If there are no timer settings, the “Timer Off” indication will flash on the screen.

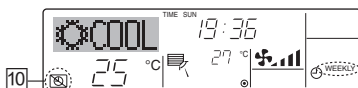
<How to View the Weekly Timer Settings>



- Be sure that the weekly timer indicator is visible on the screen (at ①).
- Press the Timer Menu button ② so that “Monitor” is indicated on the screen (at ③).
- Press the Timer On/Off (Set Day) button ④ as necessary to select the day you wish to view.
- Press the ∇ or ∆ operation button (⑦ or ⑧) as necessary to change the timer operation shown on the display (at ⑤).
 - * Each press will advance to the next timer operation, in order of time setting.
- To close the monitor and return to the standard control screen, press the Operation mode (Back) button ②.

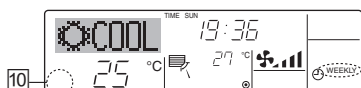
<To Turn Off the Weekly Timer>

Press the Timer On/Off button ⑨ so that “Timer Off” appears at ⑩.



<To Turn On the Weekly Timer>

Press the Timer On/Off button ⑨ so that the “Timer Off” indication (at ⑩) goes dark.



6.1.2. Simple Timer

You can set the simple timer in any of three ways.

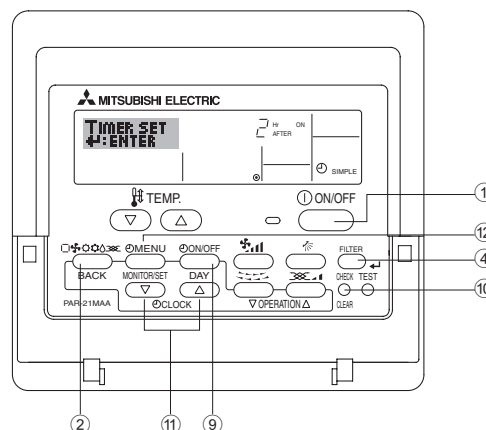
- Start time only:
The air conditioner starts when the set time has elapsed.
 - Stop time only:
The air conditioner stops when the set time has elapsed.
 - Start & stop times:
The air conditioner starts and stops at the respective elapsed times.
- The simple timer (start and stop) can be set only once within a 72-hour period.
The time setting is made in hour increments.

Note:

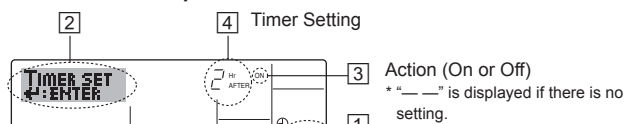
*1. Weekly Timer/Simple Timer/Auto Off Timer cannot be used at the same time.

*2. The simple timer will not operate when any of the following conditions is in effect.

The timer is off; the system is in malfunction state; a test run is in progress; the remote controller is undergoing self-check or remote controller check; the user is in the process of selecting a function; the user is in the process of setting the timer; the system is under central control. (Under these conditions, On/Off operation is prohibited.)



<How to Set the Simple Timer>



- Be sure that you are at a standard control screen, and that the simple timer indicator is visible in the display (at ①).
When something other than the Simple Timer is displayed, set it to SIMPLE TIMER using the function selection of remote controller (see 8.[4]-3 (3)) timer function setting.
- Press the Timer Menu button ②, so that the “Set Up” appears on the screen (at ②). (Note that each press of the button toggles the display between “Set Up” and “Monitor”.)
- Press the ON/OFF button ① to display the current ON or OFF simple timer setting. Press the button once to display the time remaining to ON, and then again to display the time remaining to OFF. (The ON/OFF indication appears at ③).
 - “ON” timer:
The air conditioner will start operation when the specified number of hours has elapsed.
 - “OFF” timer:
The air conditioner will stop operation when the specified number of hours has elapsed.
- With “ON” or “OFF” showing at ③: Press the appropriate Set Time button ④ as necessary to set the hours to ON (if “ON” is displayed) or the hours to OFF (if “OFF” is displayed) at ④.
 - Available Range: 1 to 72 hours
- To set both the ON and OFF times, repeat Steps 3 and 4.
 - * Note that ON and OFF times cannot be set to the same value.
- To clear the current ON or OFF setting: Display the ON or OFF setting (see step 3) and then press the Check (Clear) button ⑩ so that the time setting clears to “—” at ④. (If you want to use only an ON setting or only an OFF setting, be sure that the setting you do not wish to use is shown as “—”.)

6. Timer

7. After completing steps 3 to 6 above, press the Filter \leftarrow button ④ to lock in the value.

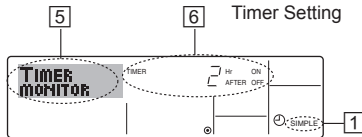
Note:

Your new settings will be cancelled if you press the Operation mode (Back) button ② before pressing the Filter \leftarrow button ④.

8. Press the Operation mode (Back) button ② to return to the standard control screen.

9. Press the Timer On/Off button ⑨ to start the timer countdown. When the timer is running, the timer value is visible on the display. **Be sure that the timer value is visible and appropriate.**

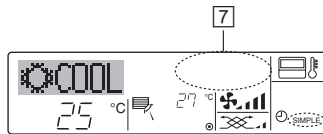
<Viewing the Current Simple Timer Settings>



1. Be sure that the simple timer indicator is visible on the screen (at ①).
2. Press the Timer Menu button ②, so that the "Monitor" appears on the screen (at ⑤).
 - If the ON or OFF simple timer is running, the current timer value will appear at ⑥.
 - If ON and OFF values have both been set, the two values appear alternately.
3. Press the Operation mode (Back) button ② to close the monitor display and return to the standard control screen.

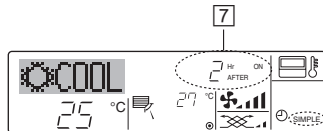
<To Turn Off the Simple Timer...>

Press the Timer On/Off button ⑨ so that the timer setting no longer appears on the screen (at ⑦).



<To Turn On the Simple Timer...>

Press the Timer On/Off button ⑨ so that the timer setting becomes visible at ⑦.

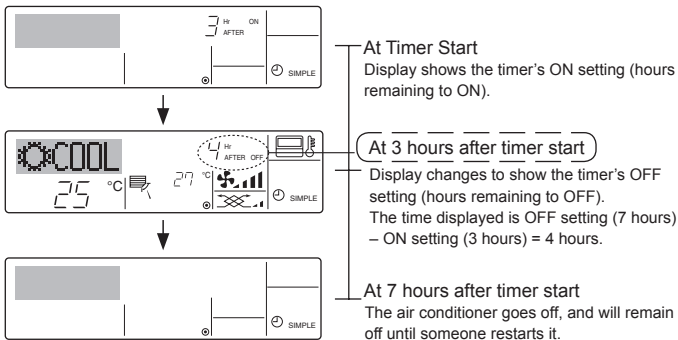


Examples

If ON and OFF times have both been set at the simple timer, operation and display are as indicated below.

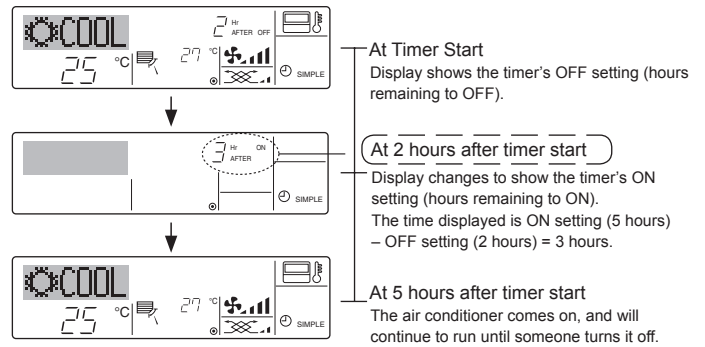
Example 1:

Start the timer, with ON time set sooner than OFF time
 ON Setting: 3 hours
 OFF Setting: 7 hours



Example 2:

Start the timer, with OFF time is sooner than ON time
 ON Setting: 5 hours
 OFF Setting: 2 hours



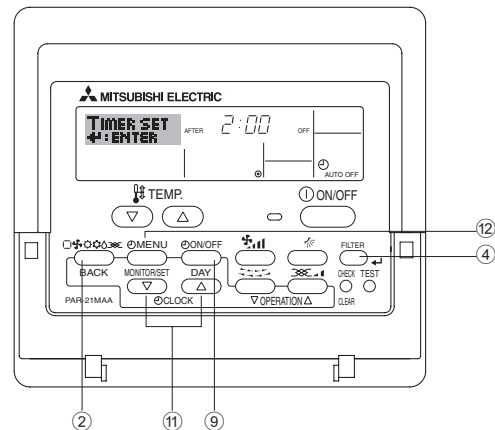
6.1.3. Auto Off Timer

- This timer begins countdown when the air conditioner starts, and shuts the air conditioner off when the set time has elapsed.
- Available settings run from 30 minutes to 4 hours, in 30-minute intervals.

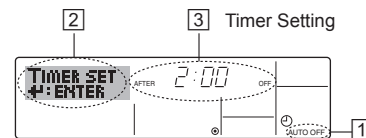
Note:

- *1. Weekly Timer/Simple Timer/Auto Off Timer cannot be used at the same time.
- *2. The Auto Off timer will not operate when any of the following conditions is in effect.

The timer is off; the system is in malfunction state; a test run is in progress; the remote controller is undergoing self-check or remote controller check; the user is in the process of selecting a function; the user is in the process of setting the timer; the system is under central control. (Under these conditions, On/Off operation is prohibited.)



<How to Set the Auto Off Timer>



1. Be sure that you are at a standard control screen, and that the Auto Off timer indicator is visible in the display (at ①). When something other than the Auto Off Timer is displayed, set it to AUTO OFF TIMER using the function selection of remote controller (see 8.[4]-3 (3)) timer function setting.
2. Hold down the Timer Menu button ② for 3 seconds, so that the "Set Up" appears on the screen (at ②). (Note that each press of the button toggles the display between "Set Up" and "Monitor".)
3. Press the appropriate Set Time button ⑩ as necessary to set the OFF time (at ③).
4. Press the Filter \leftarrow button ④ to lock in the setting.

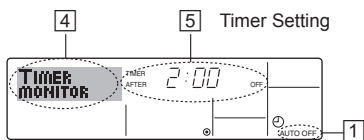
Note:

Your entry will be cancelled if you press the Operation mode (Back) button ② before pressing the Filter \leftarrow button ④.

5. Press the Operation mode (Back) button ② to complete the setting procedure and return to the standard control screen.
6. If the air conditioner is already running, the timer starts countdown immediately. **Be sure to check that the timer setting appears correctly on the display.**

6. Timer

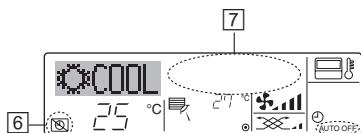
<Checking the Current Auto Off Timer Setting>



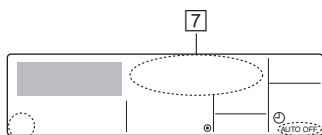
1. Be sure that the "Auto Off" is visible on the screen (at 1).
2. Hold down the Timer Menu button 2 for **3 seconds**, so that "Monitor" is indicated on the screen (at 4).
 - The timer remaining to shutdown appears at 5.
3. To close the monitor and return to the standard control screen, press the Operation mode (Back) button 2.

<To Turn Off the Auto Off Timer...>

- Hold down the Timer On/Off button 9 for **3 seconds**, so that "Timer Off" appears (at 6) and the timer value (at 7) disappears.

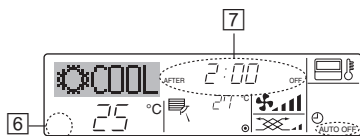


- Alternatively, turn off the air conditioner itself. The timer value (at 7) will disappear from the screen.

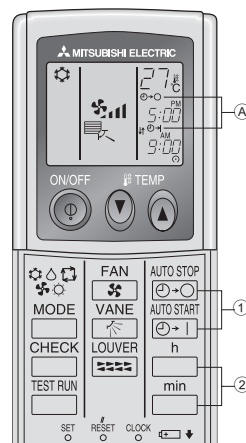


<To Turn On the Auto Off Timer...>

- Hold down the Timer On/Off button 9 for **3 seconds**. The "Timer Off" indication disappears (at 6), and the timer setting comes on the display (at 7).
- Alternatively, turn on the air conditioner. The timer value will appear at 7.



6.2. For wireless remote controller



- 1 Press the or button (TIMER SET).
 - Time can be set while the following symbol is blinking.
OFF timer : is blinking.
ON timer : is blinking.
 - 2 Use the and buttons to set the desired time.
 - 3 Canceling the timer.
 - To cancel the OFF timer, press the button.
 - To cancel the ON timer, press the button.
- It is possible to combine both OFF and ON timers.
 - Pressing the ON/OFF button of the remote controller during timer mode to stop the unit will cancel the timers.
 - If the current time has not been set, the timer operation cannot be used.

7. Other Functions

7.1. Locking the Remote Controller Buttons (Operation function limit controller)

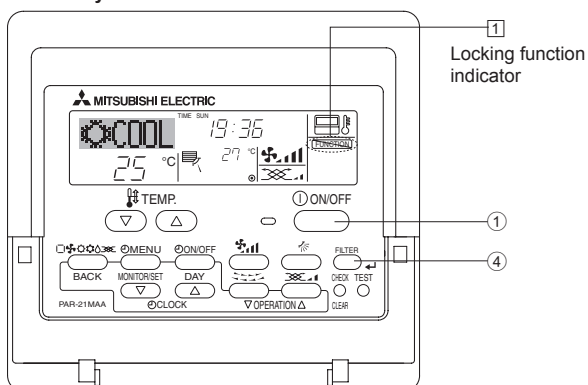
- If you wish, you can lock the remote controller buttons. You can use the Function Selection of remote controller to select which type of locking function to use. (For information about selecting the lock type, see section 8, item [4]-2 (1)).

Specifically, you can use either of the following two locking functions.

- 1 Lock All Buttons:
Locks all of the buttons on the remote controller.
- 2 Lock All Except ON/OFF:
Locks all buttons other than the ON/OFF button.

Note:

The "Locking function" indicator appears on the screen to indicate that buttons are currently locked.



<How to Lock the Buttons>

1. While holding down the Filter button 4, press and hold down the ON/OFF button 1 for 2 seconds. The "Locking function" indicator appears on the screen (at 1), indicating that the locking function is now engaged.
 - * If locking has been disabled in Function Selection of remote controller, the screen will display the "Not Available" message when you press the buttons as described above.



- If you press a locked button, the "Locking function" indicator (at 1) will blink on the display.



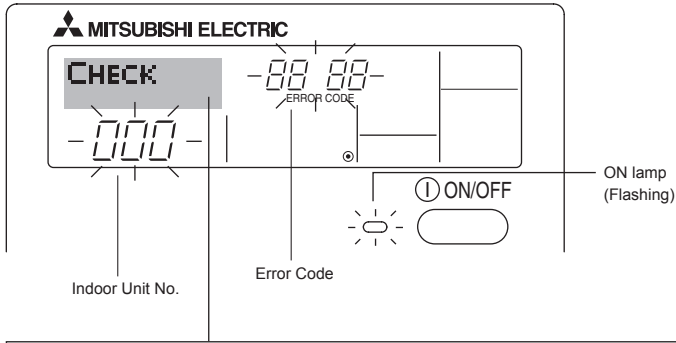
<How to Unlock the Buttons>

1. While holding down the Filter button 4, press and hold down the ON/OFF button 1 for 2 seconds—so that the "Locking function" indicator disappears from the screen (at 1).



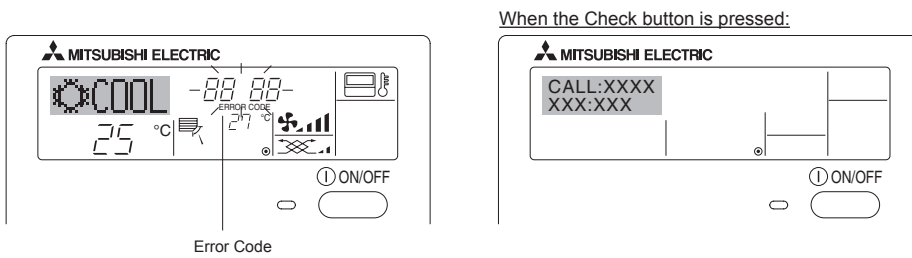
7. Other Functions

7.2. Error Codes indication



If you have entered contact number to be called in the event of a problem, the screen displays this number. (You can set this up under Function Selection of remote controller. For information, refer to section 8.)

- If the ON lamp and error code are both flashing: This means that the air conditioner is out of order and operation has been stopped (and cannot resume). Take note of the indicated unit number and error code, then switch off the power to the air conditioner and call your dealer or servicier.



- If only the error code is flashing (while the ON lamp remains lit): Operation is continuing, but there may be a problem with the system. In this case, you should note down the error code and then call your dealer or servicier for advice.
- * If you have entered contact number to be called in the event of a problem, push the Check button to display it on the screen. (You can set this up under Function Selection of remote controller. For information, refer to section 8.)

8. Function Selection

Function selection of remote controller

The setting of the following remote controller functions can be changed using the remote controller function selection mode. Change the setting when needed.

Item 1	Item 2	Item 3 (Setting content)
1. Change Language ("CHANGE LANGUAGE")	Language setting to display	<ul style="list-style-type: none"> • Display in multiple languages is possible
2. Function limit ("FUNCTION SELECTION")	(1) Operation function limit setting (operation lock) ("LOCKING FUNCTION")	<ul style="list-style-type: none"> • Setting the range of operation limit (operation locking function)
	(2) Use of automatic mode setting ("SELECT AUTO MODE")	<ul style="list-style-type: none"> • Setting the use or non-use of "automatic" operation mode
	(3) Temperature range limit setting ("LIMIT TEMP FUNCTION")	<ul style="list-style-type: none"> • Setting the temperature adjustable range (maximum, minimum)
3. Operation mode selection ("MODE SELECTION")	(1) Remote controller main/sub setting ("CONTROLLER MAIN/SUB")	<ul style="list-style-type: none"> • Selecting main or sub remote controller * When two remote controllers are connected to one group, one controller must be set to sub.
	(2) Use of clock setting ("CLOCK")	<ul style="list-style-type: none"> • Setting the use or non-use of clock function
	(3) Timer function setting ("WEEKLY TIMER")	<ul style="list-style-type: none"> • Setting the timer type
	(4) Contact number setting for error situation ("CALL.")	<ul style="list-style-type: none"> • Contact number display in case of error • Setting the telephone number
4. Display change ("DISP MODE SETTING")	(1) Temperature display °C/°F setting ("TEMP MODE °C/°F")	<ul style="list-style-type: none"> • Setting the temperature unit ("°C" or "°F") to display
	(2) Suction air temperature display setting ("ROOM TEMP DISP SELECT").	<ul style="list-style-type: none"> • Setting the use or non-use of the display of indoor (suction) air temperature
	(3) Automatic cooling/heating display setting ("AUTO MODE DISP C/H")	<ul style="list-style-type: none"> • Setting the use or non-use of the display of "Cooling" or "Heating" display during operation with automatic mode

8. Function Selection

[Detailed setting]

[4]-1. CHANGE LANGUAGE setting

The language that appears on the dot display can be selected.

- Press the [MENU] button ⑥ to change the language.
 - ① English (GB), ② German (D), ③ Spanish (E), ④ Russian (RU),
 - ⑤ Italian (I), ⑥ Chinese (CH), ⑦ French (F), ⑧ Japanese (JP)

Refer to the dot display table.

[4]-2. Function limit

(1) Operation function limit setting (operation locking function)

- To switch the setting, press the [ON/OFF] button ⑥.
 - ① no1 : Operation lock setting is made on all buttons other than the [ON/OFF] button.
 - ② no2 : Operation lock setting is made on all buttons.
 - ③ OFF (Initial setting value): Operation lock setting is not made.
- * To make the operation lock setting valid on the normal screen, it is necessary to press buttons (Press and hold down the [FILTER] and [ON/OFF] buttons at the same time for 2 seconds.) on the normal screen after the above setting is made.

(2) Use of automatic mode setting

When the remote controller is connected to the unit that has automatic operation mode, the following settings can be made.

- To switch the setting, press the [ON/OFF] button ⑥.
 - ① ON (Initial setting value):
The automatic mode is displayed when the operation mode is selected.
 - ② OFF:
The automatic mode is not displayed when the operation mode is selected.

(3) Temperature range limit setting

After this setting is made, the temperature can be changed within the set range.

- To switch the setting, press the [ON/OFF] button ⑥.
 - ① LIMIT TEMP COOL MODE:
The temperature range can be changed on cool/dry mode.
 - ② LIMIT TEMP HEAT MODE:
The temperature range can be changed on heat mode.
 - ③ LIMIT TEMP AUTO MODE:
The temperature range can be changed on automatic mode.
 - ④ OFF (initial setting): The temperature range limit is not active.
- * When the setting, other than OFF, is made, the temperature range limit setting on cool, heat and automatic mode is made at the same time. However, the range cannot be limited when the set temperature range has not changed.
- To increase or decrease the temperature, press the [TEMP.] button ⑤ (▽) or (△) button ⑤.
- To switch the upper limit setting and the lower limit setting, press the [TEMP.] button ⑤. The selected setting will flash and the temperature can be set.
- Settable range
Cool/Dry mode:
Lower limit: 19°C ~ 30°C Upper limit: 30°C ~ 19°C
Heat mode:
Lower limit: 17°C ~ 28°C Upper limit: 28°C ~ 17°C
Automatic mode:
Lower limit: 19°C ~ 28°C Upper limit: 28°C ~ 19°C

[4]-3. Operation mode selection setting

(1) Remote controller main/sub setting

- To switch the setting, press the [ON/OFF] button ⑥.
 - ① Main: The controller will be the main controller.
 - ② Sub: The controller will be the sub controller.

(2) Use of clock setting

- To switch the setting, press the [ON/OFF] button ⑥.
 - ① ON: The clock function can be used.
 - ② OFF: The clock function cannot be used.

(3) Timer function setting

- To switch the setting, press the [ON/OFF] button ⑥ (Choose one of the followings.).
 - ① WEEKLY TIMER (initial setting value):
The weekly timer can be used.
 - ② AUTO OFF TIMER:
The auto off timer can be used.
 - ③ SIMPLE TIMER:
The simple timer can be used.
 - ④ TIMER MODE OFF:
The timer mode cannot be used.
- * When the use of clock setting is OFF, the "WEEKLY TIMER" cannot be used.

(4) Contact number setting for error situation

- To switch the setting, press the [ON/OFF] button ⑥.
 - ① CALL OFF:
The set contact numbers are not displayed in case of error.
 - ② CALL **** * * * *:
The set contact numbers are displayed in case of error.
CALL :
The contact number can be set when the display is as shown on the left.
- Setting the contact numbers
To set the contact numbers, follow the following procedures. Move the flashing cursor to set numbers. Press the [TEMP.] button ⑤ (▽) and (△) button ⑤ to move the cursor to the right (left). Press the [CLOCK] (▽) and (△) button ⑤ to set the numbers.

[4]-4. Display change setting

(1) Temperature display °C/°F setting

- To switch the setting, press the [ON/OFF] button ⑥.
 - ① °C: The temperature unit °C is used.
 - ② °F: The temperature unit °F is used.

(2) Suction air temperature display setting

- To switch the setting, press the [ON/OFF] button ⑥.
 - ① ON: The suction air temperature is displayed.
 - ② OFF: The suction air temperature is not displayed.

(3) Automatic cooling/heating display setting

- To switch the setting, press the [ON/OFF] button ⑥.
 - ① ON:
One of "Automatic cooling" and "Automatic heating" is displayed under the automatic mode is running.
 - ② OFF:
Only "Automatic" is displayed under the automatic mode.

8. Function Selection

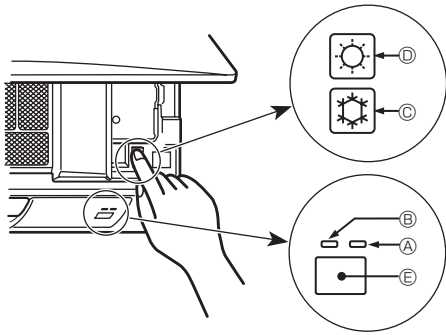
[Dot display table]

Selecting language	English	German	Spanish	Russian	Italian	Chinese	French	Japanese	
Waiting for start-up	PLEASE WAIT	←	←	←	←	←	←	←	
Operation mode	Cool	COOL	Kühlen	FRÍO	Холод	COOL	制冷	FROID	冷房
	Dry	DRY	Trocknen	DESHUMIDIFICACIÓN	Сушка	DRY	除湿	DESHU	ドライ
	Heat	HEAT	Heizen	CALOR	Тепло	HEAT	制热	CHAUD	暖房
	Auto	AUTO	AUTO	AUTOMÁTICO	Авто	AUTO	自动	AUTO	自動
	Auto(Cool)	COOL	Kühlen	FRÍO	Холод	COOL	制冷	FROID	冷房
	Auto(Heat)	HEAT	Heizen	CALOR	Тепло	HEAT	制热	CHAUD	暖房
	Fan	FAN	Lüfter	VENTILACIÓN	ВЕНТ	VENTILAZIONE	送风	VENTI LATION	送風
	Ventilation	VENTI LATION	Gelüftebetrieb	VENTI LATION	Вентиляция	ARIA ESTERNA	换气	VENTI LATION	换气
	Stand by (Hot adjust)	STAND BY	STAND BY	CALENTANDO	ОБОГРЕВ: ПАУЗА	STAND BY	准备中	PRE CHAUFFAGE	準備中
Defrost	DEFROST	Alttauen	DESCONGE LACIÓN	ОТТАВЛИВАНИЕ	SBRINAMENTO	除霜中	DEGIVRAGE	霜取中	
Set temperature	SET TEMP	TEMP einstellen	TEMP. CONSIGNA	ЦЕЛЕВАЯ ТЕМПЕРАТУРА	IMPOSTAZIONE TEMPERATURA	设定温度	REGLAGE TEMPERATURE	設定温度	
Fan speed	FAN SPEED	Lüftergeschwindigkeit	VELOCIDAD VENTILADOR	СКОРОСТЬ ВЕНТИЛЯТОРА	VELOCITA' VENTILATORE	风速	VITESSE DE VENTILATION	風速	
Not use button	NOT AVAILABLE	Nicht verfügbar	NO DISPONIBLE	НЕ ДОСТУПНО	NON DISPONIBILE	无效按钮	NON DISPONIBLE	無効ボタン	
Check (Error)	CHECK	Prüfen	COMPROBAR	ПРОВЕРКА	CHECK	检查	CONTROLE	点検	
Test run	TEST RUN	Testbetrieb	TEST FUNCIONAMIENTO	ТЕСТОВЫЙ ЗАПУСК	TEST RUN	试运行	TEST	試運転	
Self check	SELF CHECK	Selbst-diagnose	AUTO REVISIÓN	САМОДИАГНОСТИКА	SELF CHECK	自我诊断	AUTO CONTROLE	自己診断	
Unit function selection	FUNCTION SELECTION	Funktion auswählen	SELECCIÓN DE FUNCIONES	ВЫБОР ФУНКЦИИ	SELEZIONE FUNZIONI	功能选择	SELECTION FUNCTIONS	キョウ選択	
Setting of ventilation	SETTING OF VENTILATION	Lüfterstufen wählen	CONFIG. VENTILACIÓN	НАСТРОЙКА ВЕНТУСТАН.	IMPOSTAZIONE ARIA ESTERNA	换气设定	SELECTION VENTILATION	换气設定	

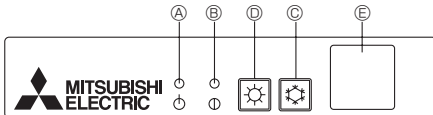
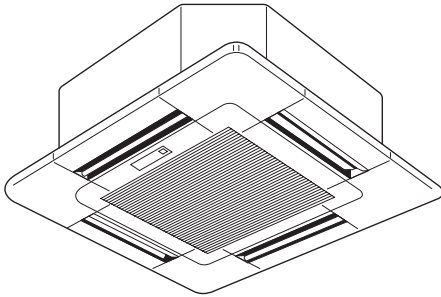
Selecting language	English	German	Spanish	Russian	Italian	Chinese	French	Japanese
CHANGE LANGUAGE	CHANGE LANGUAGE	←	←	←	←	←	←	←
Function selection	FUNCTION SELECTION	Funktion auswählen	SELECCIÓN DE FUNCIONES	ВЫБОР ФУНКЦИИ	SELEZIONE FUNZIONI	功能限制	SELECTION FUNCTIONS	キョウ制限
Operation function limit setting	LOCKING FUNCTION	Sperre - Funktion	FUNCION BLOQUEADA	ФУНКЦИЯ БЛОКИРОВАН	BLOCCO FUNZIONI	操作限制	BLOCCAGE FONCTIONS	操作ロック
Use of automatic mode setting	SELECT AUTOMODE	Auswahl Autobetrieb	SELECCIÓN MODO AUTO	ВЫБОР РЕЖИМА АВТО	SELEZIONE MODO AUTO	自动模式	SELECTION DU MODE AUTO	自動モード
Temperature range limit setting	LIMIT TEMP FUNCTION	Limit Funktion	LIMIT TEMP CONSIGNA	ОГРАНИЧЕННЫЕ УСТ. ТЕМПЕРАТ	LIMITAZIONE TEMPERATURA	温度限制	LIMITATION TEMPERATURE	温度制限
Limit temperature cool/day mode	LIMIT TEMP COOL MODE	Limit Kühl Temp	LIMIT TEMP MODO FRIO	ОГРАНИЧЕНО ОХЛАЖДЕНИЕ	LIMITAZIONE MODO COOL	制冷范围	LIMITE TEMP MODE FROID	制冷冷房
Limit temperature heat mode	LIMIT TEMP HEAT MODE	Limit Heiz Temp	LIMIT TEMP MODO CALOR	ОГРАНИЧЕН ОБОГРЕВ	LIMITAZIONE MODO HEAT	制热范围	LIMITE TEMP MODE CHAUD	制热暖房
Limit temperature auto mode	LIMIT TEMP AUTO MODE	Limit Auto Temp	LIMIT TEMP MODO AUTO	ОГРАНИЧЕН РЕЖИМ АВТО	LIMITAZIONE MODO AUTO	自动范围	LIMITE TEMP MODE AUTO	制热自动
Operation mode selection	MODE SELECTION	Betriebsart wählen	SELECCIÓN DE MODO	ВЫБОР РЕЖИМА	SELEZIONE MODO	基本模式	SELECTION DU MODE	基本キョウ
Remote controller setting MAIN	CONTROLLER MAIN	Hauptcontroller	CONTROL PRINCIPAL	ОСНОВНОЙ ПУЛЬТ	CONTROLLO MAIN	遥控主	TEKOMMANDE MAÎTRE	リモコ主従
Remote controller setting SUB	CONTROLLER SUB	Nebencontroller	CONTROL SECUNDARIO	ДОПОЛНИТЕЛЬНЫЙ ПУЛЬТ	CONTROLLO SUB	遥控辅	TEKOMMANDE ESCLAVE	リモコ主従
Use of clock setting	CLOCK	Uhr	RELOJ	ЧАСЫ	OROLOGIO	时钟	AFFICHAGE HORLOGE	時計 ヨコウ
Setting the day of the week and time	TIME SET \uparrow :ENTER	Uhr stellen \uparrow :einstellen	CONFIG RELOJ \uparrow :CONFIG	ЧАСЫ: УСТ. \uparrow : ВВОД	OROLOGIO \uparrow : ENTER	时间 \uparrow : ENTER	HORLOGE \uparrow : ENTER	タイムセッテイ \uparrow : カクテイ
Timer set	TIMER SET \uparrow :ENTER	Zeitschaltuhr \uparrow :einstellen	TEMPORIZA - DOR \uparrow :CONFIG	ТАЙМЕР: УСТ. \uparrow : ВВОД	TIMER \uparrow : ENTER	定时器 \uparrow : ENTER	PROG HORAIRE \uparrow : ENTER	タイムセッテイ \uparrow : カクテイ
Timer monitor	TIMER MONITOR	Uhrzeit anzeigen	VISUALIZAR TEMPORIZAD.	ПРОСМОТР ТАЙМЕРА	VISUALIZ TIMER	定时器状态	AFFICHAGE PROG HORAIRE	タイムモニター
Weekly timer	WEEKLY TIMER	Wochenzeit schalt Uhr	TEMPORIZA - DOR SEMANAL	НЕДЕЛЬНЫЙ ТАЙМЕР	TIMER SETTIMANALE	每周定时器	PROG HERDO MAINAIRE	タイム週間
Timer mode off	TIMER MODE OFF	Zeitschaltuhr AUS	TEMPORIZA - DOR APAGADO	ТАЙМЕР ВЫКЛ.	TIMER OFF	定时器无效	PROG HORAIRE INACTIF	タイム無効
Auto off timer	AUTO OFF TIMER	Auto Zeit funktion AUS	APAGADO AUTOMÁTICO	АВТООТКЛЮЧ. ПО ТАЙМЕРУ	AUTO OFF TIMER	解除定时	PROG HORAIRE ARRET AUTO	タイムオフオフオウ
Simple timer	SIMPLE TIMER	Einfache Zeitfunktion	TEMPORIZA - DOR SIMPLE	ПРОСТОЙ ТАЙМЕР	TIMER SEMPLIFICATO	简易定时器	PROG HORAIRE SI MP LIFE	タイムカンイ
Contact number setting of error situation	CALL	←	←	←	←	←	←	←
Display change	DISP MODE SETTING	Anzeige Betriebsart	MOSTRAR MODO	НАСТРОЙКА ИНА РЕЖИМА	IMPOSTAZIONE MODO DISPLAY	转换表示	AFFICHAGE SOUS MENU	表示切替
Temperature display °C/°F setting	TEMP MODE \uparrow :C/ \uparrow :F	Wechsel \uparrow :C/ \uparrow :F	TEMPERADOS \uparrow :C/ \uparrow :F	ЕДИН.ТЕМПЕРАТ. \uparrow :C/ \uparrow :F	TEMPERATURA \uparrow :C/ \uparrow :F	温度 \uparrow :C/ \uparrow :F	TEMPERATURE \uparrow :C/ \uparrow :F	温度 \uparrow :C/ \uparrow :F
Air inlet temperature display setting	ROOM TEMP DISP SELECT	RAUM TEMP gewährlit	MOSTRAR TEMP.	ПОКАЗЫВАТЬ ТЕМП. В КОМН.	TEMPERATURA AMBIENTE	吸入温度	TEMPERATURE AMBIANTE	スィコエント 室温
Automatic cool/heat display setting	AUTO MODE DISP C/H	Auto Betrieb C/H	MOSTRAR F/C EN AUTO	ИНА. Т/Х В РЕЖИМЕ АВТО	AUTO C/H	自动表示	AFFICHAGE AUTO F/C	自動表示

9. Emergency Operation for Wireless Remote-controller

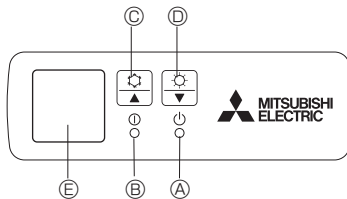
PKFY-P-VKM-E



PLFY-P-VCM-E2



PCFY-P-VKM-E



When the remote controller cannot be used

When the batteries of the remote controller run out or the remote controller malfunctions, the emergency operation can be done using the emergency buttons on the grille.

- Ⓐ DEFROST/STAND BY lamp
- Ⓑ Operation lamp
- Ⓒ Emergency operation cooling switch
- Ⓓ Emergency operation heating switch
- Ⓔ Receiver

Starting operation

- To operate the cooling mode, press the ☼ button Ⓒ for more than 2 seconds.
- To operate the heating mode, press the ☼ button Ⓓ for more than 2 seconds.
- Lighting of the Operation lamp Ⓑ means the start of operation.

Note:

- Details of emergency mode are as shown below.

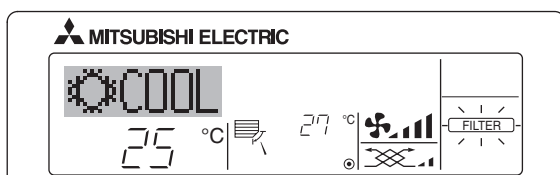
Details of EMERGENCY MODE are as shown below.

Operation mode	COOL	HEAT
Set temperature	24°C	24°C
Fan speed	High	High
Airflow direction	Horizontal	Downward 4 (5)

Stopping operation

- To stop operation, press the ☼ button Ⓒ or the ☼ button Ⓓ for more than 2 seconds.

10. Care and Cleaning



- Indicates that the filter needs cleaning.
Clean the filter.

- When resetting "FILTER" display
When the [FILTER] button is pressed two times successively after cleaning the filter, the display goes off and is reset.

Note:

- When two or more different types of indoor unit are controlled, the cleaning period differs with the type of filter. When the master unit cleaning period arrives, "FILTER" is displayed. When the filter display goes off, the cumulative time is reset.
- "FILTER" indicates the cleaning period when the air conditioner was used under general indoor air conditions by criteria time. Since the degree of dirtiness depends on the environmental conditions, clean the filter accordingly.
- The filter cleaning period cumulative time differs with the model.
- This indication is not available for wireless remote controller.

▶ Cleaning the filters

- Clean the filters using a vacuum cleaner. If you do not have a vacuum cleaner, tap the filters against a solid object to knock off dirt and dust.
- If the filters are especially dirty, wash them in lukewarm water. Take care to rinse off any detergent thoroughly and allow the filters to dry completely before putting them back into the unit.

⚠ Caution:

- Do not dry the filters in direct sunlight or by using a heat source, such as an electric heater: this may warp them.
- Do not wash the filters in hot water (above 50°C), as this may warp them.
- Make sure that the air filters are always installed. Operating the unit without air filters can cause malfunction.

⚠ Caution:

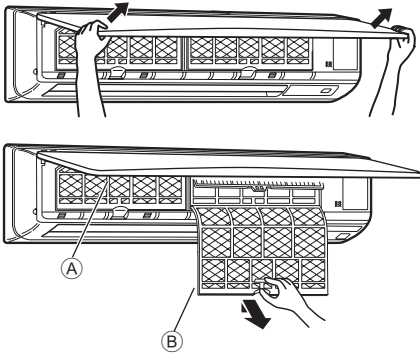
- Before you start cleaning, stop operation and turn OFF the power supply.
- Indoor units are equipped with filters to remove the dust of sucked-in air. Clean the filters using the methods shown in the following sketches.

⚠ Caution:

- In removing the filter, precautions must be taken to protect your eyes from dust. Also, if you have to climb up on a stool to do the job, be careful not to fall.
- When the filter is removed, do not touch the metallic parts inside the indoor unit, otherwise injury may result.

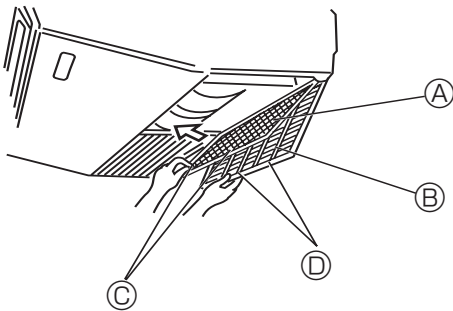
10. Care and Cleaning

■ PKFY-P-VKM-E



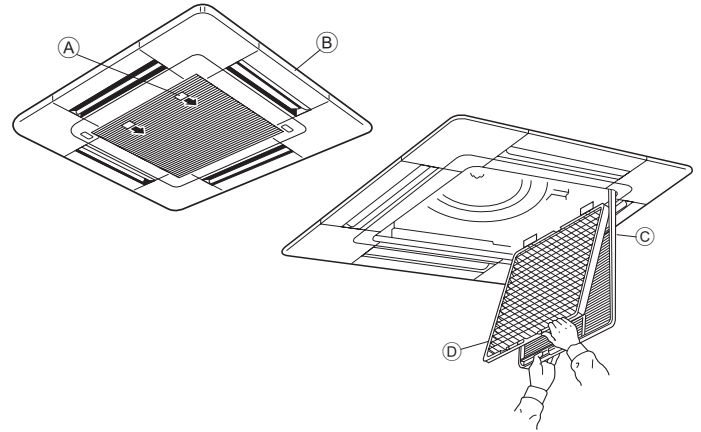
- ① Using both hands, pull both the bottom corners of the inlet grille to open the grille, then lift the filter until it clicks at the stop position.
 - ② Hold the knobs on the filter and pull the filter up, then pull it out downward.
(Located in two places, on the left and right.)
- A Front grille
 B Filter

■ PCFY-P-VKM-E



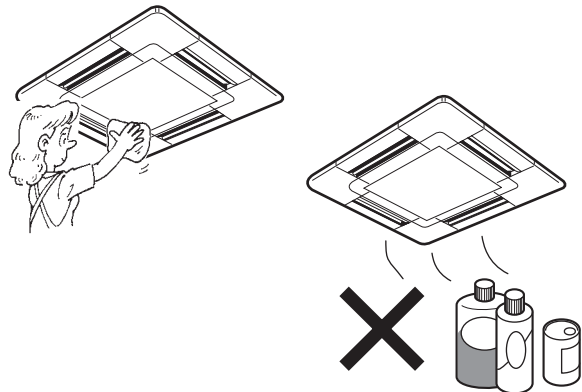
- ① Open the intake grille.
 - ② Hold the knob on the filter then pull the filter up in the direction of an arrow. To replace the filter after cleaning, be sure to insert the filter far enough until it fits into the stopper.
- A Filter B Intake Grille C Knob D Stopper

■ PLFY-P-VCM-E2



- ① Pull the knob on the intake grille in the direction indicated by the arrow and it should open.
 - ② Open the intake grille.
 - ③ Release the knob on the center edge of the intake grille and pull the filter forward to remove the filter.
- A Knob
 B Grille
 C Intake grille
 D Filter

Cleaning the indoor unit







- Wipe the outside of the unit with a clean, dry, soft cloth.
- Clean off any oil stains or finger marks using a neutral household detergent (such as dishwashing liquid or laundry detergent).

⚠ Caution:

Never use gasoline, benzene, thinner, scouring powder or any type of non-neutral detergent, as these substances may damage the unit's case.

11. Troubleshooting

Having trouble?	Here is the solution. (Unit is operating normally.)
Air conditioner does not heat or cool well.	<ul style="list-style-type: none"> ■ Clean the filter. (Airflow is reduced when the filter is dirty or clogged.) ■ Check the temperature adjustment and adjust the set temperature. ■ Make sure that there is plenty of space around the outdoor unit. Is the indoor unit air inlet or outlet blocked? ■ Has a door or window been left open?
When heating operation starts, warm air does not blow from the indoor unit soon.	<ul style="list-style-type: none"> ■ Warm air does not blow until the indoor unit has sufficiently warmed up.
During heat mode, the air conditioner stops before the set room temperature is reached.	<ul style="list-style-type: none"> ■ When the outdoor temperature is low and the humidity is high, frost may form on the outdoor unit. If this occurs, the outdoor unit performs a defrosting operation. Normal operation should begin after approximately 10 minutes.
Airflow up/down direction changes during operation or airflow up/down direction cannot be set.	<ul style="list-style-type: none"> ■ During cool mode, the vanes automatically move to the horizontal (down) position after 1 hour when the down (horizontal) airflow up/down direction is selected. This is to prevent water from forming and dripping from the vanes. ■ During heat mode, the vanes automatically move to the horizontal airflow up/down direction when the airflow temperature is low or during defrosting mode.
When the airflow up/down direction is changed, the vanes always move up and down past the set position before finally stopping at the position.	<ul style="list-style-type: none"> ■ When the airflow up/down direction is changed, the vanes move to the set position after detecting the base position.
A flowing water sound or occasional hissing sound is heard.	<ul style="list-style-type: none"> ■ These sounds can be heard when refrigerant is flowing in the air conditioner or when the refrigerant flow is changing.
A cracking or creaking sound is heard.	<ul style="list-style-type: none"> ■ These sounds can be heard when parts rub against each due to expansion and contraction from temperature changes.
The room has an unpleasant odor.	<ul style="list-style-type: none"> ■ The indoor unit draws in air that contains gases produced from the walls, carpeting, and furniture as well as odors trapped in clothing, and then blows this air back into the room.
A white mist or vapor is emitted from the indoor unit.	<ul style="list-style-type: none"> ■ If the indoor temperature and the humidity are high, this condition may occur when operation starts. ■ During defrosting mode, cool airflow may blow down and appear like a mist.
Water or vapor is emitted from the outdoor unit.	<ul style="list-style-type: none"> ■ During cool mode, water may form and drip from the cool pipes and joints. ■ During heat mode, water may form and drip from the heat exchanger. ■ During defrosting mode, water on the heat exchanger evaporates and water vapor may be emitted.
The operation indicator does not appear in the remote controller display.	<ul style="list-style-type: none"> ■ Turn on the power switch. "●" will appear in the remote controller display.
The air conditioner does not operate even though the ON/OFF button is pressed. The operation mode display on the remote controller disappears.	<ul style="list-style-type: none"> ■ Is the power switch of the indoor unit turned off? Turn on the power switch.
"  " appears in the remote controller display.	<ul style="list-style-type: none"> ■ During central control, "" appears in the remote controller display and air conditioner operation cannot be started or stopped using the remote controller.
When restarting the air conditioner soon after stopping it, it does not operate even though the ON/OFF button is pressed.	<ul style="list-style-type: none"> ■ Wait approximately three minutes. (Operation has stopped to protect the air conditioner.)
Air conditioner operates without the ON/OFF button being pressed.	<ul style="list-style-type: none"> ■ Is the on timer set? Press the ON/OFF button to stop operation. ■ Is the air conditioner connected to a central remote controller? Consult the concerned people who control the air conditioner. ■ Does "" appear in the remote controller display? Consult the concerned people who control the air conditioner. ■ Has the auto recovery feature from power failures been set? Press the ON/OFF button to stop operation.
Air conditioner stops without the ON/OFF button being pressed.	<ul style="list-style-type: none"> ■ Is the off timer set? Press the ON/OFF button to restart operation. ■ Is the air conditioner connected to a central remote controller? Consult the concerned people who control the air conditioner. ■ Does "" appear in the remote controller display? Consult the concerned people who control the air conditioner.
Remote controller timer operation cannot be set.	<ul style="list-style-type: none"> ■ Are timer settings invalid? If the timer can be set, (WEEKLY), (SIMPLE), or (AUTO OFF) appears in the remote controller display.
"PLEASE WAIT" appears in the remote controller display.	<ul style="list-style-type: none"> ■ The initial settings are being performed. Wait approximately 3 minutes.
An error code appears in the remote controller display.	<ul style="list-style-type: none"> ■ The protection devices have operated to protect the air conditioner. ■ Do not attempt to repair this equipment by yourself. Turn off the power switch immediately and consult your dealer. Be sure to provide the dealer with the model name and information that appeared in the remote controller display.
Draining water or motor rotation sound is heard.	<ul style="list-style-type: none"> ■ When cooling operation stops, the drain pump operates and then stops. Wait approximately 3 minutes.

11. Troubleshooting

Having trouble?	Here is the solution. (Unit is operating normally.)												
Noise is louder than specifications.	<ul style="list-style-type: none"> The indoor operation sound level is affected by the acoustics of the particular room as shown in the following table and will be higher than the noise specification, which was measured in an echo-free room. <table border="1"> <thead> <tr> <th></th> <th>High sound-absorbing rooms</th> <th>Normal rooms</th> <th>Low sound-absorbing rooms</th> </tr> </thead> <tbody> <tr> <td>Location examples</td> <td>Broadcasting studio, music room, etc.</td> <td>Reception room, hotel lobby, etc.</td> <td>Office, hotel room</td> </tr> <tr> <td>Noise levels</td> <td>3 to 7 dB</td> <td>6 to 10 dB</td> <td>9 to 13 dB</td> </tr> </tbody> </table>		High sound-absorbing rooms	Normal rooms	Low sound-absorbing rooms	Location examples	Broadcasting studio, music room, etc.	Reception room, hotel lobby, etc.	Office, hotel room	Noise levels	3 to 7 dB	6 to 10 dB	9 to 13 dB
	High sound-absorbing rooms	Normal rooms	Low sound-absorbing rooms										
Location examples	Broadcasting studio, music room, etc.	Reception room, hotel lobby, etc.	Office, hotel room										
Noise levels	3 to 7 dB	6 to 10 dB	9 to 13 dB										
Nothing appears in the wireless remote controller display, the display is faint, or signals are not received by the indoor unit unless the remote controller is close.	<ul style="list-style-type: none"> The batteries are low. Replace the batteries and press the Reset button. If nothing appears even after the batteries are replaced, make sure that the batteries are installed in the correct directions (+, -). 												
The operation lamp near the receiver for the wireless remote controller on the indoor unit is flashing.	<ul style="list-style-type: none"> The self diagnosis function has operated to protect the air conditioner. Do not attempt to repair this equipment by yourself. Turn off the power switch immediately and consult your dealer. Be sure to provide the dealer with the model name. 												
Warm air blows from the indoor unit intermittently when heat mode is off or during fan mode.	<ul style="list-style-type: none"> When another indoor unit is operating in heat mode, the control valve opens and closes occasionally to maintain stability in the air conditioning system. This operation will stop after a while. <ul style="list-style-type: none"> * If this will cause an undesirable rise in the room temperature in small rooms, etc., stop the operation of the indoor unit temporarily. 												

Range of application

The range of working temperatures for both the indoor and outdoor units of the series Y, R2, Multi-S is as below.

⚠ Caution:

The use of your air conditioner outside the range of working temperature and humidity can result in serious failure.

Mode	Indoor unit	Outdoor unit		
		PUHY	PURY	PUMY
Cooling	15 °C - 24 °C WB	-5 °C - 46 °C DB	-5 °C - 46 °C DB	-5 °C - 46 °C DB
Heating	15 °C - 27 °C DB	-20 °C - 15.5 °C WB	-20 °C - 15.5 °C WB	-15 °C - 15 °C WB

Note: As an applicable humidity standard for both indoors and outdoors, we recommend use within a range of 30 - 80% relative humidity.

⚠ Warning:

If the air conditioner operates but does not cool or heat (depending on model) the room, consult your dealer since there may be a refrigerant leak. Be sure to ask the service representative whether there is refrigerant leakage or not when repairs are carried out.

The refrigerant charged in the air conditioner is safe. Refrigerant normally does not leak, however, if refrigerant gas leaks indoors, and comes into contact with the fire of a fan heater, space heater, stove, etc., harmful substances will be generated.

12. Specifications

Model		PKFY-P63VKM-E	PKFY-P100VKM-E
Power source (Voltage<V>/Frequency)	<Hz>	~N/220-230-240/50, 220/60	
Capacity (Cooling/Heating)	<kW>	7.1/8.0	11.2/12.5
Dimension (Height)	<mm>	365	
Dimension (Width)	<mm>	1170	
Dimension (Depth)	<mm>	295	
Net weight	<kg>	22	
Fan Airflow volume (Low-High)	<m ³ /min>	16-20	20-25
Noise level (Low-High)	<dB>	39-43	41-49

Model		PLFY-P15VCM-E2	PLFY-P20VCM-E2	PLFY-P25VCM-E2	PLFY-P32VCM-E2	PLFY-P40VCM-E2
Power source (Voltage<V>/Frequency)	<Hz>	~N/220-230-240/50				
Capacity (Cooling/Heating)	<kW>	1.7/1.9	2.2/2.5	2.8/3.2	3.6/4.0	4.5/5.0
Dimension (Height)	<mm>	208 (20)				
Dimension (Width)	<mm>	570 (650)				
Dimension (Depth)	<mm>	570 (650)				
Net weight	<kg>	15.5 (3)			17.0 (3)	
Fan Airflow volume (Low-Middle-High)	<m ³ /min>	8-8.5-9	8-9-10		8-9-11	
Noise level (Low-Middle-High)	<dB>	28-30-31	28-31-35	28-31-37	29-33-38	30-34-39

Model		PCFY-P40VKM-E	PCFY-P63VKM-E	PCFY-P100VKM-E	PCFY-P125VKM-E
Power source (Voltage<V>/Frequency)	<Hz>	~N 220-230-240/50, 220/60			
Capacity (Cooling/Heating)	<kW>	4.5/5.0	7.1/8.0	11.2/12.5	14.0/16.0
Dimension (Height)	<mm>	230			
Dimension (Width)	<mm>	960	1280	1600	
Dimension (Depth)	<mm>	680			
Net weight	<kg>	24	32	36	38
Fan Airflow volume (Low-Middle2-Middle1-High)	<m ³ /min>	10-11-12-13	14-15-16-18	21-24-26-28	21-24-27-31
Noise level (Low-Middle2-Middle1-High)	<dB>	29-32-34-36	31-33-35-37	36-38-41-43	36-39-42-44

*1 Cooling/Heating capacity indicates the maximum value at operation under the following condition.

Cooling: Indoor 27 °C DB/19 °C WB, Outdoor 35 °C DB

Heating: Indoor 20 °C DB, Outdoor 7 °C DB/6 °C WB

*2 This figure () indicates panel's.

Inhaltsverzeichnis

1. Sicherheitsvorkehrungen.....	22	7. Weitere Funktionen	32
2. Bezeichnungen der Teile	23	8. Funktionsauswahl.....	33
3. Bildschirmkonfiguration	26	9. Notbetrieb bei schnurloser Fernbedienung	37
4. Einstellen des Wochentags und der Zeit.....	26	10. Pflege und Reinigung	37
5. Bedienung	26	11. Fehlerbehebung	39
6. Timer	29	12. Technische Daten.....	41

1. Sicherheitsvorkehrungen

- ▶ Vor dem Einbau der Anlage vergewissern, dass Sie alle Informationen über "Sicherheitsvorkehrungen" gelesen haben.
- ▶ Die "Sicherheitsvorkehrungen" enthalten sehr wichtige Sicherheitsgesichtspunkte. Sie sollten sie unbedingt befolgen.
- ▶ Vor Anschluss an das System Mitteilung an Stromversorgungsunternehmen machen oder dessen Genehmigung einholen.

Im Text verwendete Symbole

- ⚠ **Warnung:**
Beschreibt Vorkehrungen, die beachtet werden sollten, um den Benutzer vor der Gefahr von Verletzungen oder tödlicher Unfälle zu bewahren.
- ⚠ **Vorsicht:**
Beschreibt Vorkehrungen, die beachtet werden sollten, damit an der Anlage keine Schäden entstehen.

In den Abbildungen verwendete Symbole

- ⚡ : Verweist auf einen Teil der Anlage, der geerdet werden muss.

Hinweis:

Der Begriff "Verdrahte Fernbedienung" in dieser Bedienungsanleitung bezieht sich auf den PAR-21MAA. Entnehmen Sie weitere Informationen zur anderen Fernbedienung dem in diesen Paketen beiliegenden Bedienungshandbuch.

⚠ Warnung:

- Diese Geräte sind nicht allgemein zugänglich.
- Die Anlage sollte nicht vom Benutzer eingebaut werden. Bitten Sie Ihren Händler oder eine Vertragswerkstatt, die Anlage einzubauen. Wenn die Anlage unsachgemäß eingebaut wurde, kann Wasser auslaufen, können Stromschläge erfolgen, oder es kann Feuer ausbrechen.
- Nicht auf die Anlage stellen oder Gegenstände darauf ablegen.
- Kein Wasser über die Anlage spritzen und die Anlage auch nicht mit nassen Händen berühren. Dies kann zu Stromschlägen führen.
- Kein brennbares Gas in der Nähe der Anlage versprühen. Es kann Feuer ausbrechen.
- Keine Gasheizung oder sonstige Geräte mit offenen Flammen in Bereichen abstellen, an denen Luft aus der Anlage ausströmt. Unvollständige Verbrennung kann die Folge sein.
- Wenn die Anlage läuft, nicht die Frontplatte oder den Gebläseschutz von der Außenanlage abnehmen.
- Sie sollten die Anlage niemals eigenhändig reparieren oder an einen anderen Standort verbringen.
- Wenn das Geräusch oder die Vibrationen anders als normal oder besonders stark sind, den Betrieb einstellen, den Hauptschalter ausschalten, und das Verkaufsgeschäft um Hilfe bitten.
- Niemals die Finger, Stöcke etc. in die Ansaug- oder Austrittsöffnungen stecken.
- Wenn Sie merkwürdige Gerüche feststellen, sollten Sie die Anlage nicht mehr benutzen, den Strom abschalten und sich an Ihren Kundendienst wenden, da sonst schwere Defekte an der Anlage, ein Stromschlag oder ein Brand verursacht werden können.

⚠ Vorsicht:

- Zum Drücken der Tasten keine scharfen Gegenstände benutzen, da dadurch die Fernbedienung beschädigt werden kann.
- Die Ansaug- oder Austrittsöffnungen weder der Innen- noch der Außenanlage blockieren oder abdecken.
- Die Fernbedienung niemals mit Benzol, Verdünner, mit Chemikalien getränkten Putzlappen usw. abwischen.
- Betreiben Sie die Klimaanlage niemals für längere Zeit bei hoher Luftfeuchtigkeit, z. B. bei geöffneter Tür oder geöffnetem Fenster. Falls die Klimaanlage für längere Zeit im Kühlbetrieb in einem Raum mit hoher Luftfeuchtigkeit (80% oder mehr) betrieben wird, kann in der Klimaanlage kondensiertes Wasser abtropfen und Möbel usw. nass werden lassen oder beschädigen.

- Diese Klimaanlage darf NICHT von Kindern oder unsicheren Personen ohne Aufsicht benutzt werden.
- Kleine Kinder müssen beaufsichtigt werden, um sicherzustellen, dass sie nicht an der Klimaanlage herumspielen.
- Wenn gasförmiges oder flüssiges Kühlmittel entweicht, die Klimaanlage abstellen, den Raum ausreichend lüften und das Verkaufsgeschäft benachrichtigen.
- Dieses Gerät ist nicht zur Verwendung durch Personen (einschließlich Kindern) mit reduzierten körperlichen, sensorischen oder mentalen Fähigkeiten oder mangelnden Erfahrungen oder Kenntnissen vorgesehen, es sei denn, sie werden durch eine für ihre Sicherheit verantwortliche Person beaufsichtigt oder wurden von dieser in der Verwendung des Geräts unterwiesen.
- Beim Installieren oder Umsetzen oder Warten der Klimaanlage darf nur das angegebene Kältemittel (R410A) zur Befüllung der Kältemittelleitungen verwendet werden. Vermischen Sie es nicht mit anderem Kältemittel und lassen Sie nicht zu, dass Luft in den Leitungen zurückbleibt. Wenn sich Luft mit dem Kältemittel vermischt, kann dies zu einem ungewöhnlich hohen Druck in der Kältemittelleitung führen und eine Explosion oder andere Gefahren verursachen. Die Verwendung eines anderen als des für das System angegebenen Kältemittels führt zu mechanischem Versagen, einer Fehlfunktion des Systems oder einer Beschädigung des Geräts. Im schlimmsten Fall kann sie ein schwerwiegendes Hindernis für die Aufrechterhaltung der Produktsicherheit darstellen.

- Berühren Sie während des Betriebs nicht den Flügel des oberen Luftauslasses oder den Dämpfer des unteren Luftauslasses. Dadurch kann Kondensation auftreten, wodurch der Betrieb stoppt.

Die Anlage entsorgen

Zum Entsorgen des Gerätes wenden Sie sich an Ihren Kundendienst.

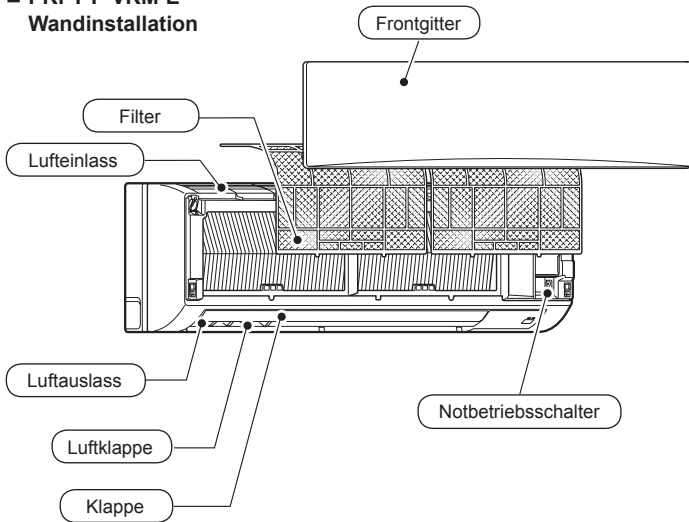
2. Bezeichnungen der Teile

■ Inneneinheit

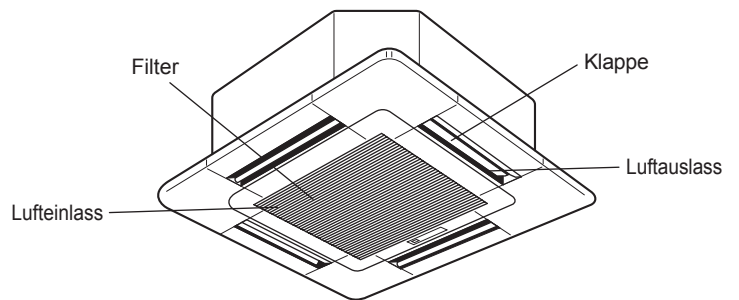
		PKFY-P-VKM-E	PLFY-P-VCM-E2	PCFY-P-VKM-E
Lüfterstufen		2 Geschwindigkeitsstufen	3 Geschwindigkeitsstufen	4 Geschwindigkeit+Autom.*
Klappe	Stufen	4 Stufen	4 Stufen	5 Stufen
	Auto-Schwingen	○	○	○
Luftklappe		Manuell	—	Manuell
Filter		Normal	Langlebig	Langlebig
Reinigungsempfehlung für Filter		100 Std.	2.500 Std.	2.500 Std.

* Diese Bedienung ist nur durch Verwendung der Fernbedienung möglich, die die Gebläsegeschwindigkeit auf "Autom." stellen kann.

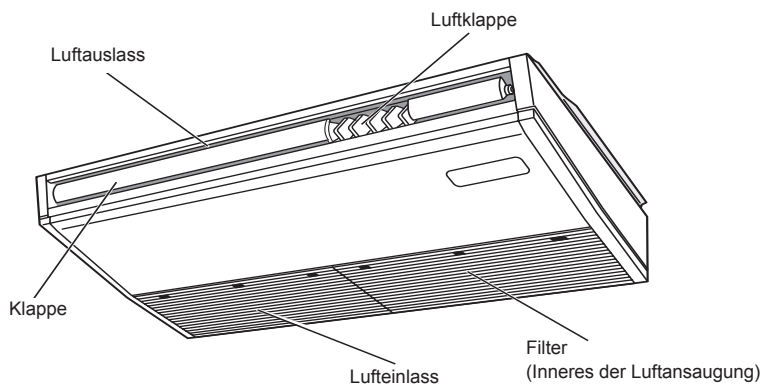
■ PKFY-P-VKM-E Wandinstallation



■ PLFY-P-VCM-E2 4-Wege-Deckenkassette

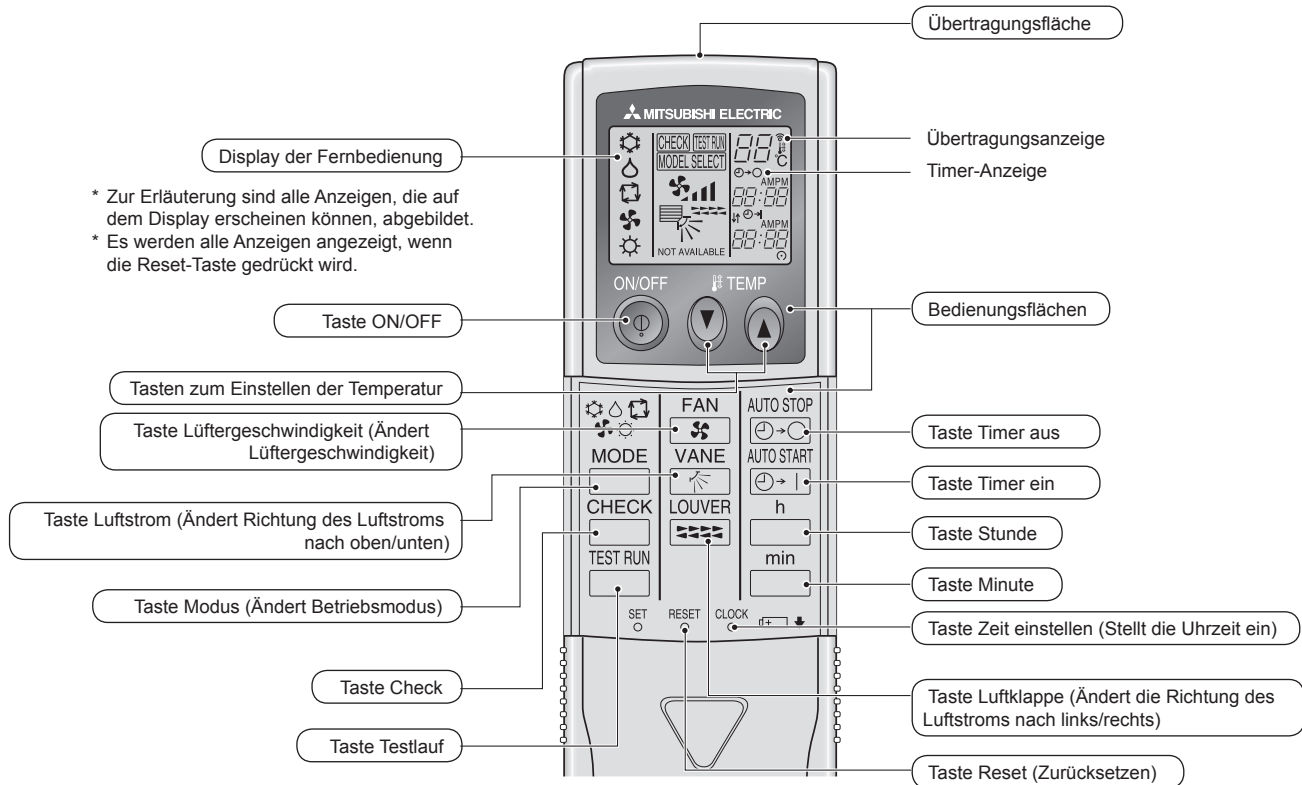


■ PCFY-P-VKM-E Unterdeckengerät



2. Bezeichnungen der Teile

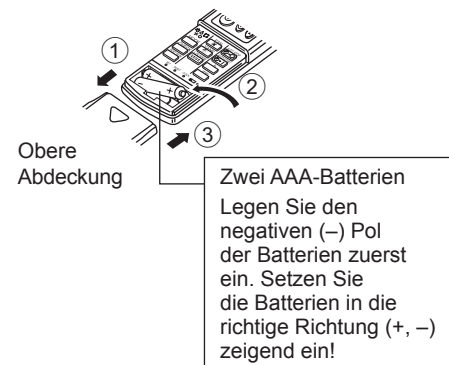
■ Für die schnurlose Fernbedienung (optionaler Bauteil)



- Zur Benutzung der schnurlosen Fernbedienung diese auf den Empfänger am Innengerät richten.
- Wird die Fernbedienung innerhalb von etwa 2 Minuten betätigt, nachdem das Innengerät eingeschaltet wurde, erklingt unter Umständen zweimal ein Piepton während das Gerät die automatische Anfangsprüfung durchführt.
- Das Innengerät piept zur Bestätigung, dass das Signal, das von der Fernbedienung übertragen wird, empfangen wurde. Signale können bis zu etwa 7 Meter Sichtlinie vom Innengerät in einem Winkel von 45° nach links und rechts vom Gerät empfangen werden. Jedoch kann der Empfang des Innengeräts durch Beleuchtung wie Leuchtstofflampen oder starkes Licht beeinträchtigt werden.
- Wenn die Betriebsanzeige in der Nähe des Empfängers am Innengerät blinkt, muss das Gerät geprüft werden. Wenden Sie sich an Ihren Händler für Service.
- Behandeln Sie die Fernbedienung pfleglich! Lassen Sie sie nicht fallen und schützen Sie sie vor starken Erschütterungen. Schützen Sie die Fernbedienung darüber hinaus vor Wasser und hoher Luftfeuchtigkeit.
- Um ein Verlegen der Fernbedienung zu vermeiden, montieren Sie den Halter, der mit der Fernbedienung geliefert wurde, an einer Wand und legen Sie die Fernbedienung nach Gebrauch stets in den Halter zurück.

Einsetzen/Austausch der Batterien

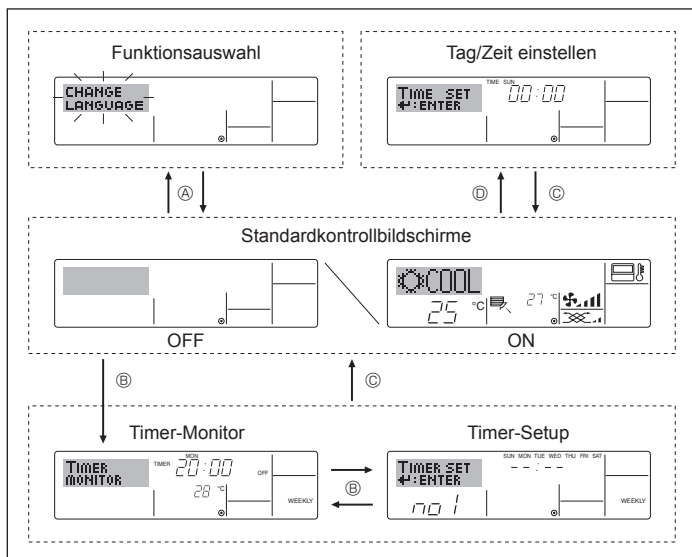
1. Nehmen Sie die obere Abdeckung ab und legen Sie zwei AAA-Batterien ein. Schließen Sie dann die obere Abdeckung wieder.



2. Drücken Sie die Taste Reset (Zurücksetzen).



3. Bildschirmkonfiguration



<Bildschirmtypen>

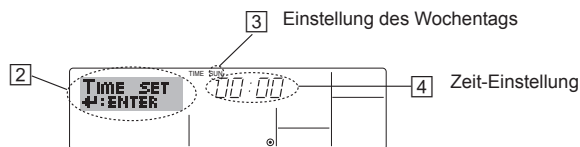
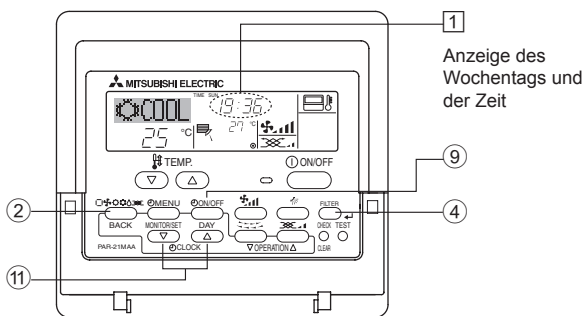
Mit der Funktionsauswahl der Fernbedienung kann die Spracheinstellung des Displays auf German (Deutsch) umgestellt werden. In Abschnitt 8, Punkt [4]–1 sehen Sie, wie Sie die Spracheinstellung ändern. Die anfängliche Einstellung ist Englisch.

- Funktionsauswahl: Stellt die verfügbaren Funktionen und Bereiche auf der Fernbedienung ein (Timer-Funktionen, Betriebsbeschränkungen, usw.).
- Tag/Zeit einstellen: Stellt den aktuellen Wochentag oder die Zeit ein.
- Standard-Kontrollbildschirme: Zeigt den Betriebsstatus des Klimaanlageanlagensystems und stellt ihn ein.
- Timer-Monitor: Zeigt den aktuell eingestellten Timer an (wöchentlicher Timer, einfacher Timer oder Auto-Off-Timer).
- Timer-Setup: Stellt den Betriebs eines der Timer ein (wöchentlicher Timer, einfacher Timer oder Auto-Off-Timer).

<So wechseln Sie den Bildschirm>

- Zu (A) : Halten Sie sowohl die Taste Betriebsart als auch die Taste Timer Ein/Aus 2 Sekunden lang gedrückt.
- Zu (B) : Drücken Sie die Taste Timer-Menü.
- Zu (C) : Drücken Sie die Taste Betriebsart (Zurück).
- Zu (D) : Drücken Sie eine der Tasten Zeit einstellen (▽ oder △).

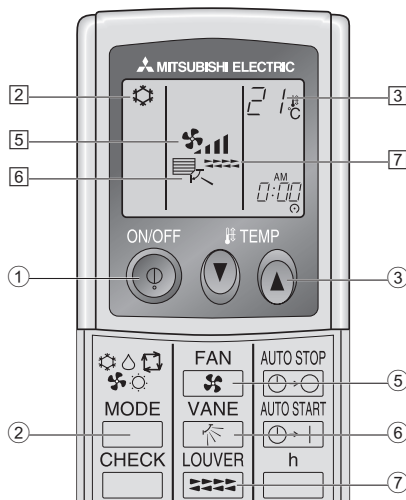
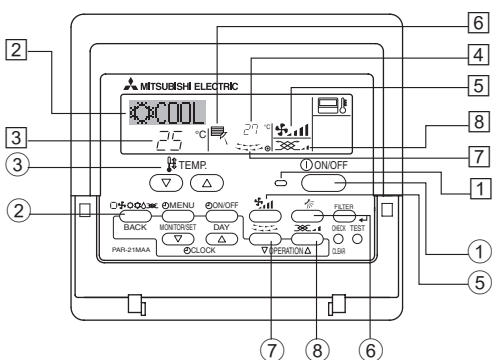
4. Einstellen des Wochentags und der Zeit



Hinweis:
Der Tag und die Zeit erscheinen nicht, wenn die Uhr in der Funktionsauswahl deaktiviert wurde.

1. Drücken Sie die Taste Zeit einstellen ▽ oder △ (1) um (2) anzuzeigen.
2. Drücken Sie die Taste Timer Ein/Aus (Tag einstellen) (9), um den Tag einzustellen.
* Mit jedem Drücken rückt die Anzeige unter (3) einen Tag vor: Sun → Mon → ... → Fri → Sat.
3. Drücken Sie die entsprechenden Taste Zeit einstellen (11) nach Bedarf, um die Zeit einzustellen.
* Wenn Sie die Taste gedrückt halten, rückt die Zeit (unter (4)) zuerst in Minutenintervallen vor, dann in Zehn-Minuten-Intervallen und dann in Ein-Stunden-Intervallen.
4. Nachdem Sie die entsprechenden Einstellungen unter Schritt 2 und 3 durchgeführt haben, drücken Sie die Taste Filter ← (4) um die Werte zu speichern.

5. Bedienung



5.1. ON/OFF (Ein-/Ausschalten)

<So starten Sie den Betrieb>

- Drücken Sie die Taste ON/OFF (1).
- Die Lampe EIN (1) und der Anzeigebereich erscheinen.

Hinweis:
● Wenn das Gerät neu gestartet wird, sind die Anfangseinstellungen wie folgt.

Fernbedienungseinstellungen			
Modus	Letzte Betriebsart		
Temperatureinstellung	Letzte Temperatureinstellung		
Lüftergeschwindigkeit	Letzte Lüftergeschwindigkeitseinstellung		
Luftstrom nach oben/nach unten	Modus	COOL oder DRY	Letzte Einstellung
		HEAT	Letzte Einstellung
		FAN	Letzte Einstellung

<So stoppen Sie den Betrieb>

- Drücken Sie die Taste ON/OFF (1) nochmals.
- Die Lampe ON (1) und die Anzeige erlöschen.

Hinweis:
Selbst wenn Sie die Taste ON/OFF unmittelbar nach dem Ausschalten des laufenden Geräts drücken, kann die Klimaanlage etwa drei Minuten lang nicht gestartet werden. Dadurch wird verhindert, dass Teile im Inneren der Anlage beschädigt werden.

5. Bedienung

<So stoppen Sie den Betrieb>

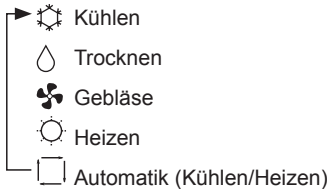
- Drücken Sie die Taste ON/OFF ① erneut.
 - Die Lampe EIN ② und der Display-Bereich verschwinden.

Hinweis:

Selbst wenn Sie die ON/OFF (NETZSTROM EIN/AUS-) Taste unmittelbar nach Abschaltung des in Gang befindlichen Betriebs drücken, beginnt die Klimaanlage etwa drei Minuten lang nicht zu laufen. Dadurch wird verhindert, dass Teile im Inneren der Anlage beschädigt werden.

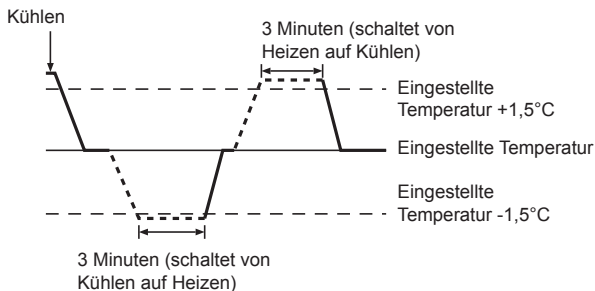
5.2. Betriebsart wählen

- Die Betriebsart (☐☐☐☐☐)-Taste ② drücken und die Betriebsart wählen ③.



Automatischer Betrieb

- Eine Temperatur wird eingestellt und der Kühlbetrieb beginnt, wenn die Umgebungstemperatur zu hoch ist bzw. der Heizbetrieb beginnt, wenn sie zu niedrig ist.
- Im automatischen Betrieb schaltet die Klimaanlage in die Betriebsart Kühlen, wenn die Umgebungstemperatur sich ändert und 3 Minuten lang 1,5 °C oder mehr über der eingestellten Temperatur liegt. Ebenso schaltet die Klimaanlage in die Betriebsart Heizen, wenn die Umgebungstemperatur 3 Minuten lang 1,5 °C oder mehr unter der eingestellten Temperatur liegt.



- Da die Umgebungstemperatur automatisch angepasst wird, um eine festgelegte tatsächliche Temperatur beizubehalten, wird das Kühlen einige Grade wärmer und das Heizen einige Grade kühler ausgeführt als die eingestellte Umgebungstemperatur, sobald die Temperatur erreicht ist (automatisches Energiesparen).

5.3. Temperatureinstellung

► Zum Absenken der Raumtemperatur:

Taste ④ drücken ③, um die gewünschte Raumtemperatur einzustellen.

Die eingestellte Raumtemperatur wird angezeigt ③.

► Zur Erhöhung der Raumtemperatur:

Taste ⑤ drücken ③, um die gewünschte Raumtemperatur einzustellen.

Die eingestellte Temperatur wird angezeigt ③.

- Folgende Temperaturbereiche sind verfügbar:

Kühlen und Trocknen: 19 - 30 °C
 Heizen: 17 - 28 °C
 Automatik: 19 - 28 °C

- Die Anzeige blinkt bei 8 °C oder 39 °C und informiert so darüber ob die Raumtemperatur höher oder niedriger als die angezeigte Temperatur ist.

5.4. Einstellung der Lüftergeschwindigkeit

- Drücken Sie die Taste Lüftergeschwindigkeit ⑤ so oft wie nötig, während das System läuft.
 - Jedes Drücken ändert die Stärke. Die aktuell ausgewählte Geschwindigkeit ist unter ⑤ dargestellt
 - Die Änderungsreihenfolge und die verfügbaren Einstellungen sind wie folgt.

LÜFTERGESCHWINDIGKEIT	Anzeige
2-Geschwindigkeitsstufen-Modell	Geschwindigkeit 1 → Geschwindigkeit 2
3-Geschwindigkeitsstufen-Modell	Geschwindigkeit 1 → Geschwindigkeit 2 → Geschwindigkeit 3
4 Geschwindigkeiten + Autom.*	Geschwindigkeit 1 → Geschwindigkeit 2 → Geschwindigkeit 3 → Geschwindigkeit 4 → Autom.*

* Nur für MA-Fernbedienung.

Automatische Gebläsegeschwindigkeit-Einstellung ist für drahtlose Fernbedienung erforderlich.

Hinweis:

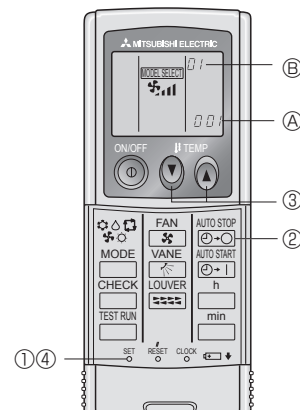
- Die Anzahl der verfügbaren Lüftergeschwindigkeiten hängt von der Art des angeschlossenen Geräts ab. Beachten Sie außerdem, dass einige Geräte die Einstellung "Auto" nicht haben.
- In den folgenden Fällen unterscheidet sich die vom Gerät erzeugte tatsächliche Lüftergeschwindigkeit von der auf der Fernbedienungsanzeige angezeigten Geschwindigkeit:
 1. Während das Display "STAND BY" oder "DEFROST" anzeigt.
 2. Wenn die Temperatur des Wärmetauschers in der Betriebsart Heizen zu niedrig ist. (z.B. direkt nach dem Heizbeginn)
 3. Im HEAT-Modus, wenn die Raumtemperatur höher als die Temperatureinstellung ist.
 4. Wenn sich das Gerät im DRY-Modus befindet.

- Automatische Einstellung der Lüfterdrehzahl (für drahtlose Fernbedienung)

Die Einstellung ist bei drahtloser Fernbedienung nur notwendig, wenn die automatische Lüfterdrehzahl bei der Standardeinstellung nicht eingestellt wird.

Die Einstellung ist nicht notwendig bei verdrahteter Fernbedienung mit automatischer Lüfterdrehzahl bei Standardeinstellung.

- ① SET-Taste mit einem spitzen Gegenstand drücken. Dies muss bei ausgeschaltetem Display der Fernbedienung erfolgen. **MODEL SELECT** blinkt und die Modellnummer wird hervorgehoben ④.
 - ② AUTO STOP-Taste betätigen. ⑤-⑥. **5** blinkt und die Einstell-Nummer wird hervorgehoben ③. (Einstell-Nr. 01: ohne automatische Lüfterdrehzahl)
 - ③ Die Tasten ⑦ ⑧ drücken, um die Einstell-Nr. 02 einzustellen. (Einstellung 02: mit automatischer Lüfterdrehzahl)
- Bei einem Fehler ist die ON/OFF ①-Taste zu drücken und der Vorgang ab Schritt ② zu wiederholen.
- ④ SET-Taste mit einem spitzen Gegenstand drücken. **MODEL SELECT** und die Modellnummer leuchten 3 Sekunden lang auf und verschwinden dann.



5. Bedienung

5.5. Einstellung der Luftstromrichtung

<So ändern Sie die Richtung des Luftstroms (nach oben/nach unten)>

- Drücken Sie, während das Gerät läuft, die Taste Luftstrom nach oben/nach unten nach Bedarf.
 - Jedes Drücken ändert die Richtung. Die aktuelle Richtung wird unter angezeigt.
 - Die Änderungsreihenfolge und die verfügbaren Einstellungen sind wie folgt:

Luftstrom	Anzeige
4-Stufen-Modell	
5-Stufen-Modell *1	

- * Beachten Sie, dass sich während dem Schwingbetrieb die Richtungsanzeige auf dem Bildschirm nicht synchron mit den Richtungsklappen am Gerät ändert.
- * Einige Modelle unterstützen Richtungseinstellungen nicht.
- *1 Nur für MA-Fernbedienung, andere Fernbedienungen zeigen das gleiche an wie das 4-Schritt-Modell.
- *2 Einstellung der Luftstromrichtung <Autom.>
COOL/FAN/DRY : Einstellung 1 (Horizontal), HEAT : Einstellung 5 (Abwärts 5)

Hinweis:

- Die verfügbaren Richtungen hängen von der Art des angeschlossenen Geräts ab. Beachten Sie außerdem, dass einige Geräte die Einstellung "Auto" nicht haben.
- In den folgenden Fällen unterscheidet sich die tatsächliche Luftfrichtung von der Richtung, die auf der Fernbedienungsanzeige angezeigt wird:
 1. Während das Display "STAND BY" oder "DEFROST" anzeigt.
 2. Sofort nach Starten des Heizmodus (während das System darauf wartet, dass sich die Betriebsart ändert).
 3. Im Heizmodus, wenn die Raumtemperatur höher als die Temperatureinstellung ist.

<[Manuell] Ändern der Luftstromrichtung links/rechts>

- * Taste Luftstromklappe kann nicht verwendet.

■ Modell PKFY-P-VKM-E

- Stoppen Sie das Gerät, halten Sie den Hebel der Luftklappen fest und stellen Sie die gewünschte Richtung ein.
- * Richten Sie die Klappen nicht nach Innen aus, wenn das Gerät in der Betriebsart Kühlen oder Trocknen arbeitet, da dabei Kondensat und Wasser abtropfen könnte.



⚠ Vorsicht:

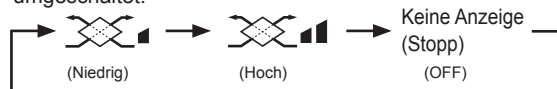
Achten Sie beim Bedienen des Geräts auf einen sicheren Fußhalt, um Stürze zu vermeiden.

5.6. Belüftung

► Für LOSSNAY-Kombination

5.6.1. Für verdrahtete Fernbedienung

- So betreiben Sie den Ventilator zusammen mit dem Innengerät:
 - Drücken Sie die Taste ON/OFF .
 - Die Anzeige Vent erscheint auf dem Bildschirm (unter). Der Ventilator arbeitet jetzt immer automatisch, wenn das Innengerät läuft.
- So betreiben Sie den Ventilator nur, wenn das Innengerät ausgeschaltet ist:
 - Drücken Sie die Taste Belüftung , während das Innengerät ausgeschaltet ist.
 - Die Lampe Ein (unter) und die Anzeige Belüftung (unter) erscheinen.
- So ändern Sie die Ventilatorstärke:
 - Drücken Sie die Taste Belüftung nach Bedarf.
 - Mit jedem Drücken wird die Einstellung wie unten dargestellt umgeschaltet.



Hinweis:

- Bei einigen Modellkonfigurationen kann sich der Lüfter des Innengeräts einschalten, auch wenn Sie den Ventilator so eingestellt haben, dass er unabhängig läuft.

6. Timer

6.1. Für verdrahtete Fernbedienung

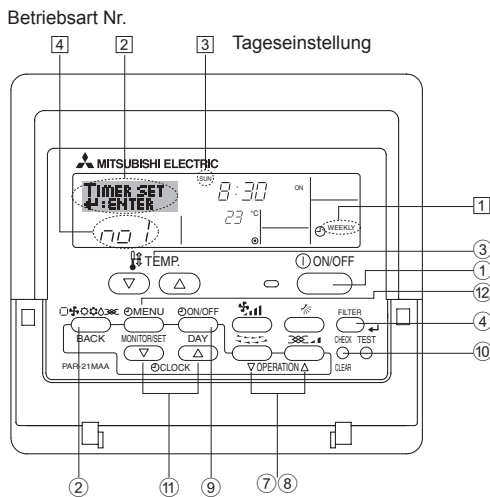
Sie können die Funktionsauswahl verwenden, um auszuwählen, welchen der drei Timer Sie verwenden möchten: ① Wöchentlicher Timer, ② Einfacher Timer oder ③ Auto-Off-Timer.

6.1.1. Wöchentlicher Timer

- Der wöchentliche Timer kann verwendet werden, um bis zu acht Betriebsarten für jeden Tag der Woche einzustellen.
 - Jede Betriebsart kann aus Folgendem bestehen: EIN/AUS-Zeit zusammen mit einer Temperatureinstellung oder nur EIN/AUS-Zeit oder nur Temperatureinstellung.
 - Wenn die aktuelle Zeit eine vom Timer eingestellte Zeit erreicht, führt die Klimaanlage die vom Timer eingestellte Aktion durch.
- Die Einteilung der Zeiteinstellung für diesen Timer ist 1 Minute.

Hinweis:

- *1. Der wöchentliche Timer/einfache Timer/Auto-Off-Timer können nicht gleichzeitig eingestellt werden.
- *2. Der wöchentliche Timer funktioniert nicht, wenn eine der folgenden Bedingungen wirksam ist.
Die Timerfunktion ist ausgeschaltet; das System befindet sich in einem unnormalen Zustand; ein Testlauf wird durchgeführt; die Fernbedienung führt einen Selbstcheck oder einen Fernbedienungscheck durch; der Benutzer stellt gerade eine Funktion ein; der Benutzer stellt gerade einen Timer ein; der Benutzer stellt gerade den aktuellen Wochentag oder die Zeit ein; das System wird zentral gesteuert. (Das System führt insbesondere dann keine Betriebsarten durch (Gerät ein, Gerät aus oder Temperatureinstellung), die während diesen Bedingungen deaktiviert sind.)



<So stellen Sie den wöchentlichen Timer ein>

1. Achten Sie darauf, dass Sie sich im Standardkontrollbildschirm befinden und dass die Anzeige für den wöchentlichen Timer ① auf dem Display angezeigt wird.
2. Drücken Sie die Taste Timer-Menü ②, so dass "Set Up" auf dem Bildschirm erscheint (unter ②). (Beachten Sie, dass mit jedem Tastendruck die Anzeige zwischen "Set Up" und "Monitor" umgeschaltet wird.)
3. Drücken Sie die Taste Timer Ein/Aus (Tag einstellen) ③, um den Tag einzustellen. Mit jedem Drücken geht die Anzeige unter ③ zur nächsten Einstellung in der folgenden Reihenfolge: "Sun Mon Tues Wed Thurs Fri Sat" → "Sun" → ... → "Fri" → "Sat" → "Sun Mon Tues Wed Thurs Fri Sat"...
4. Drücken Sie die Taste Betrieb ∇ oder △ (⑦ oder ⑧) so oft wie nötig, um die entsprechende Betriebsnummer auszuwählen (1 bis 8) ④.
 - * Mit Ihren Eingaben unter Schritt 3 und 4 wählen Sie eine der Zellen aus der unten dargestellten Matrix.
 (Die Fernbedienungsanzeige auf der linken Seite zeigt, wie das Display aussieht, wenn Betrieb 1 für Sonntag auf die unten angegebenen Werte eingestellt ist.)

Setup-Matrix

Betr.-Nr.	Sonntag	Montag	...	Samstag
Nr. 1	• 8:30 • EIN • 23 °C			
Nr. 2	• 10:00 • AUS	• 10:00 • AUS	• 10:00 • AUS	• 10:00 • AUS
...				
Nr. 8				

<Einstellungen von Betrieb 1 für Sonntag>
Klimaanlage um 8.30 Uhr mit auf 23 °C eingestellter Temperatur starten.

<Einstellung von Betrieb 2 für jeden Tag>
Klimaanlage um 10.00 Uhr ausschalten.

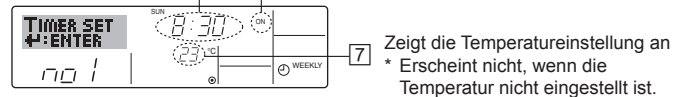
Hinweis:

Durch Einstellen des Tags auf "Sun Mon Tues Wed Thurs Fri Sat", können Sie festlegen, dass derselbe Betrieb jeden Tag zur selben Zeit durchgeführt wird.

(Beispiel: Betrieb 2 oben, der für jeden Tag der Woche gleich ist.)

<Einstellen des wöchentlichen Timers>

Zeigt die Zeiteinstellung an ⑤ ⑥ Zeigt die ausgewählte Betriebsart an (EIN oder AUS)
* Erscheint nicht, wenn die Betriebsart nicht eingestellt ist.



5. Drücken Sie die entsprechende Taste Zeit einstellen ⑤ so oft wie nötig, um die gewünschte Zeit einzustellen (unter ⑤).
 - * Wenn Sie die Taste gedrückt halten, rückt die Zeit zuerst in Minutenintervallen, dann in Zehn-Minuten-Intervallen und dann in Ein-Stunden-Intervallen vor.
6. Drücken Sie die Taste ON/OFF ①, um die gewünschte Betriebsart auszuwählen (EIN oder AUS) unter ⑥.
 - * Jedes Drücken ändert die nächste Einstellung in der folgenden Reihenfolge: keine Anzeige (keine Einstellung) → "ON" → "OFF".

6. Timer

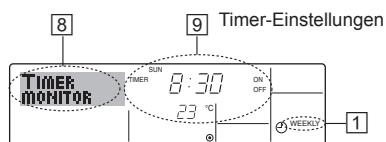
7. Drücken Sie die entsprechende Taste Temperatur einstellen ③, um die gewünschte Temperatur einzustellen (unter ⑦).
- * Jedes Drücken ändert die Einstellung in der folgenden Reihenfolge: keine Anzeige (keine Einstellung) ⇔ 24 ⇔ 25 ⇔ ... ⇔ 29 ⇔ 30 ⇔ 12 ⇔ ... ⇔ 23 ⇔ keine Anzeige.
(Verfügbarer Bereich: Der Bereich für die Einstellung ist 12 °C bis 30 °C. Der tatsächliche Bereich, über den die Temperatur gesteuert werden kann, variiert jedoch entsprechend des Typs des angeschlossenen Geräts.)
8. Nachdem Sie die entsprechenden Einstellungen unter Schritt 5, 6 und 7 durchgeführt haben, drücken Sie die Taste Filter ④ um die Werte zu speichern.
Um die aktuell eingestellten Werte für den ausgewählten Betrieb einzustellen, drücken Sie die Taste Check (Löschen) ⑩ einmal kurz.
- * Die angezeigte Zeiteinstellung ändert sich zu "—" und die Ein/Aus- und Temperatureinstellungen verschwinden.
(Um alle wöchentlichen Timer-Einstellungen gleichzeitig zu löschen, halten Sie die Taste Check (Löschen) ⑩ mindestens 2 Sekunden lang gedrückt. Das Display beginnt zu blinken, wodurch angezeigt wird, dass alle Einstellungen gelöscht wurden.)

Hinweis:

Ihre neuen Einträge werden storniert, wenn Sie die Taste Betriebsart (Zurück) ② drücken, bevor Sie die Taste Filter ④ drücken. Wenn Sie zwei oder mehr unterschiedliche Betriebsarten für genau dieselbe Zeit eingestellt haben, wird nur die Betriebsart mit der höchsten Betriebsart-Nr. ausgeführt.

9. Wiederholen Sie die Schritte 3 bis 8 nach Bedarf, um so viele der verfügbaren Zellen auszufüllen, wie Sie möchten.
10. Drücken Sie die Taste Betriebsart (Zurück) ②, um zum Standardkontrollbildschirm zurückzukehren und den Einstellvorgang zu beenden.
11. Um den Timer zu aktivieren, drücken Sie die Taste Timer Ein/Aus ⑨, so dass die Anzeige "Timer Off" vom Bildschirm verschwindet. **Achten Sie darauf, dass die Anzeige "Timer Off" verschwunden ist.**
- * Wenn es keine Timer-Einstellungen gibt, blinkt die Anzeige "Timer Off" auf dem Bildschirm.

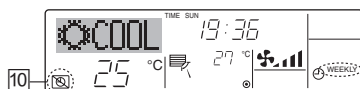
<So zeigen Sie den wöchentlichen Timer an>



1. Achten Sie darauf, dass die wöchentliche Timer-Anzeige auf dem Bildschirm sichtbar ist (unter ①).
2. Drücken Sie die Taste Timer-Menü ② so dass "Monitor" auf dem Bildschirm erscheint (unter ⑥).
3. Drücken Sie die Taste Timer Ein/Aus (Tag einstellen) ⑨ so oft wie nötig, um den Tag einzustellen, den Sie anzeigen möchten.
4. Drücken Sie die Taste Betrieb ∇ oder △ (⑦ oder ⑧) so oft wie nötig, um den auf dem Display angezeigten Timer-Betrieb zu ändern (unter ⑨).
- * Mit jedem Drücken gelangen Sie zur nächsten Timer-Betriebsart in der Reihenfolge der Zeiteinstellung.
5. Um den Monitor zu schließen und zum Standardkontrollbildschirm zurückzukehren, drücken Sie die Taste Betriebsart (Zurück) ②.

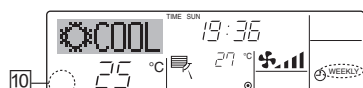
<So schalten Sie den wöchentlichen Timer aus>

Drücken Sie die Taste Timer Ein/Aus ⑨, so dass "Timer Off" unter ⑩ erscheint.



<So schalten Sie den wöchentlichen Timer ein>

Drücken Sie die Taste Timer Ein/Aus ⑨, so dass die Anzeige "Timer Off" (unter ⑩) verschwindet.

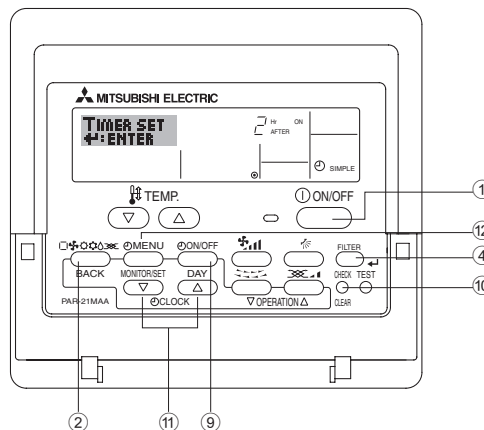


6.1.2. Einfacher Timer

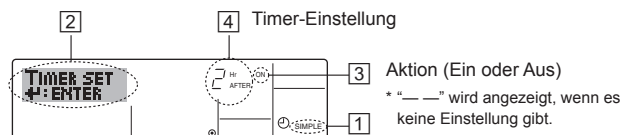
- Sie haben drei Möglichkeiten, den einfachen Timer einzustellen.
 - Nur Startzeit:
Die Klimaanlage startet, wenn die eingestellte Zeit vergangen ist.
 - Nur Stopzeit:
Die Klimaanlage stoppt, wenn die eingestellte Zeit vergangen ist.
 - Start- und Stopzeiten:
Die Klimaanlage startet und stoppt, wenn die entsprechenden Zeiten vergangen sind.
- Der einfache Timer (Start und Stopp) kann nur einmal innerhalb eines Zeitraums von 72 Stunden eingestellt werden. Die Zeiteinstellung erfolgt in Stunden-Schritten.

Hinweis:

- *1. Der wöchentliche Timer/einfache Timer/Auto-Off-Timer können nicht gleichzeitig eingestellt werden.
- *2. Der einfache Timer funktioniert nicht, wenn eine der folgenden Bedingungen wirksam ist:
Die Timerfunktion ist ausgeschaltet; das System befindet sich in einem unnormalen Zustand; ein Testlauf wird durchgeführt; die Fernbedienung führt einen Selbstcheck oder eine Diagnose durch; der Benutzer wählt gerade eine Funktion aus; der Benutzer stellt gerade den Timer ein; das System wird zentral gesteuert. (Unter diesen Bedingungen ist der Ein/Aus-Betrieb deaktiviert.)



<So stellen Sie den einfachen Timer ein>



1. Achten Sie darauf, dass Sie sich im Standardkontrollbildschirm befinden und dass die Anzeige des einfachen Timers auf dem Display angezeigt wird (unter ①).
Wenn etwas anderes als der einfache Timer angezeigt wird, stellen Sie den SIMPLE TIMER mit Hilfe der Timer-Funktionseinstellung der Funktionsauswahl ein (siehe 8.[4]–3 (3)).
2. Drücken Sie die Taste Timer-Menü ②, so dass "Set Up" auf dem Bildschirm erscheint (unter ②). (Beachten Sie, dass mit jedem Tastendruck die Anzeige zwischen "Set Up" und "Monitor" umgeschaltet wird.)
3. Drücken Sie die Taste ON/OFF ①, um die aktuelle EIN- oder AUS-Einstellung des einfachen Timers anzuzeigen. Drücken Sie die Taste einmal, um die restliche Zeit unter EIN anzuzeigen, und dann noch einmal, um die restliche Zeit unter AUS anzuzeigen. (Die Anzeige EIN/AUS erscheint unter ③.)
 - "EIN"-Timer:
Die Klimaanlage startet den Betrieb, wenn die angegebene Anzahl Stunden vergangen ist.
 - "AUS"-Timer:
Die Klimaanlage stoppt den Betrieb, wenn die angegebene Anzahl Stunden vergangen ist.
4. Wenn "ON" oder "OFF" unter ③ angezeigt wird: Drücken Sie die entsprechende Taste Zeit einstellen ⑩ so oft wie nötig, um die Stunden auf EIN (falls "ON" angezeigt wird) oder die Stunden auf AUS (falls "OFF" angezeigt wird) unter ④ einzustellen.
 - Verfügbarer Bereich: 1 bis 72 Stunden
5. Um sowohl die Zeiten für EIN als auch für AUS einzustellen, wiederholen Sie die Schritte 3 und 4.
 - * Beachten Sie, dass die AUS- und EIN-Zeiten nicht auf denselben Wert eingestellt werden können.
6. So löschen Sie die aktuelle EIN- oder AUS-Einstellung: Zeigen Sie die EIN- oder AUS-Einstellung (siehe Schritt 3) an und drücken Sie dann die Taste Check (Löschen) ⑩, so dass die Zeiteinstellung zu "—" unter ④ zurückkehrt. (Wenn Sie nur eine EIN-Einstellung oder nur eine AUS-Einstellung verwenden wollen, achten Sie darauf, dass die Einstellung, die Sie nicht verwenden möchten, als "—" angezeigt wird.)

6. Timer

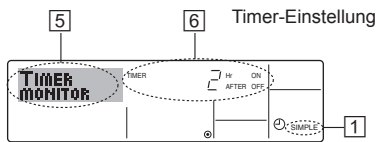
7. Nach Durchführung der oben angegebenen Schritte 3 bis 6 drücken Sie die Taste Filter \leftarrow ④ um den Wert zu speichern.

Hinweis:

Ihre neuen Einstellungen werden storniert, wenn Sie die Taste Betriebsart (Zurück) ② drücken, bevor Sie die Taste Filter \leftarrow ④ drücken.

- Drücken Sie die Taste Betriebsart (Zurück) ②, um zum Standardkontrollbildschirm zurückzukehren.
- Drücken Sie die Taste Timer Ein/Aus ⑨, um den Timer-Countdown zu starten. Wenn der Timer läuft, wird der Timer-Wert auf dem Display angezeigt. **Achten Sie darauf, ob der Timer-Wert sichtbar und richtig ist.**

<Anzeigen der aktuellen Einstellungen des einfachen Timers>



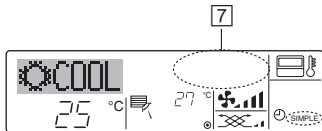
- Achten Sie darauf, dass die Anzeige des einfachen Timers auf dem Bildschirm sichtbar ist (unter ①).
- Drücken Sie die Taste Timer-Menü ⑩, so dass "Monitor" auf dem Bildschirm erscheint (unter ⑤).

 - Falls der einfache EIN- oder AUS-Timer läuft, erscheint der aktuelle Timer-Wert unter ⑥.
 - Falls die EIN- und AUS-Werte beide eingestellt wurden, erscheinen beide Werte abwechselnd.

- Drücken Sie die Taste Betriebsart (Zurück) ②, um die Monitoranzeige zu schließen und zum Standardkontrollbildschirm zurückzukehren.

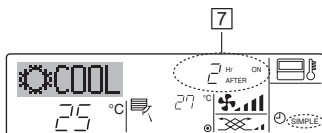
<So schalten Sie den einfachen Timer aus...>

Drücken Sie die Taste Timer Ein/Aus ⑨, so dass die Timer-Einstellung nicht mehr auf dem Bildschirm erscheint (unter ⑦).



<So starten Sie den einfachen Timer...>

Drücken Sie die Taste Timer Ein/Aus ⑨, so dass die Timer-Einstellungen unter ⑦ sichtbar sind.



Beispiele

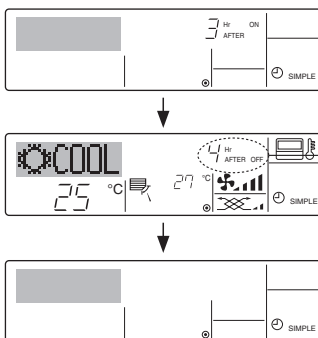
Falls die EIN- und AUS-Zeiten beide im einfachen Timer eingestellt wurden, werden der Betrieb und die Anzeige wie unten dargestellt.

Beispiel 1:

Starten Sie den Timer, wobei die EIN-Zeit früher als die AUS-Zeit eingestellt ist.

EIN-Einstellung: 3 Stunden

AUS-Einstellung: 7 Stunden



Beim Timer-Start
Das Display zeigt die EIN-Einstellung des Timers (Stunden bleiben EIN).

3 Stunden nach dem Timer-Start
Die Anzeige wechselt zur Anzeige der AUS-Einstellung des Timers (Stunden bleiben AUS).

Die angezeigte Zeit entspricht der Einstellung AUS (7 Stunden) – Einstellung EIN (3 Stunden) = 4 Stunden.

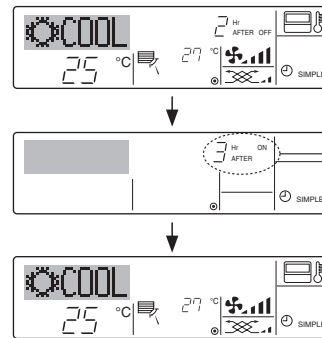
7 Stunden nach dem Timer-Start
Die Klimaanlage schaltet sich aus und bleibt aus, bis sie von jemandem erneut gestartet wird.

Beispiel 2:

Starten Sie den Timer, wobei die AUS-Zeit vor der EIN-Zeit liegt.

EIN-Einstellung: 5 Stunden

AUS-Einstellung: 2 Stunden



Beim Timer-Start
Das Display zeigt die AUS-Einstellung des Timers (Stunden bleiben AUS).

2 Stunden nach dem Timer-Start
Das Display wechselt zur Anzeige der EIN-Einstellung des Timers (Stunden bleiben EIN). Die angezeigte Zeit entspricht der Einstellung EIN (5 Stunden) – Einstellung AUS (2 Stunden) = 3 Stunden.

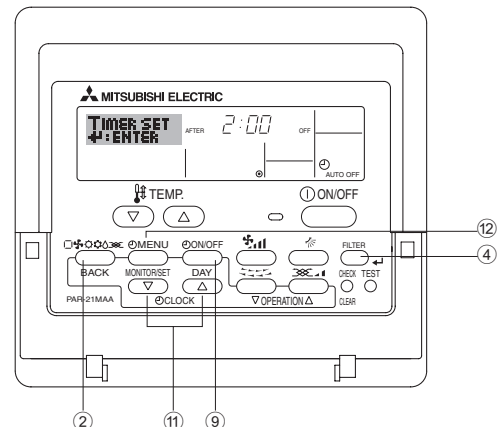
5 Stunden nach dem Timer-Start
Die Klimaanlage schaltet sich ein und läuft weiter, bis sie jemand ausschaltet.

6.1.3. Timer für automatisches Ausschalten

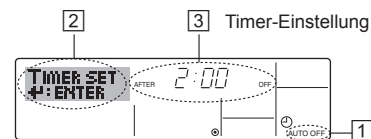
- Dieser Timer beginnt den Countdown, wenn die Klimaanlage startet, und schaltet die Klimaanlage aus, wenn die eingestellte Zeit abgelaufen ist.
- Die verfügbaren Einstellungen gehen in 30-Minuten-Intervallen von 30 Minuten bis zu 4 Stunden.

Hinweis:

- Der wöchentliche Timer/einfache Timer/Auto-Off-Timer können nicht gleichzeitig eingestellt werden.
- Der Auto-Off-Timer funktioniert nicht, wenn eine der folgenden Bedingungen wirksam ist:
Die Timerfunktion ist ausgeschaltet; das System befindet sich in einem unnormalen Zustand; ein Testlauf wird durchgeführt; die Fernbedienung führt einen Selbstcheck oder eine Diagnose durch; der Benutzer wählt gerade eine Funktion aus; der Benutzer stellt gerade den Timer ein; das System wird zentral gesteuert. (Unter diesen Bedingungen ist der Ein/Aus-Betrieb deaktiviert.)



<So stellen Sie den Auto-Off-Timer ein>



- Achten Sie darauf, dass Sie sich im Standardkontrollbildschirm befinden und dass die Anzeige "Auto Off Timer" auf dem Display angezeigt wird (unter ①). Wenn etwas anderes als der Auto-Off-Timer angezeigt wird, stellen Sie den AUTO-OFF-TIMER mit Hilfe der Timer-Funktionseinstellung der Funktionsauswahl ein (siehe 8.[4]-3 (3)).
- Halten Sie die Taste Timer-Menü ⑩ **3 Sekunden** lang gedrückt, so dass "Set Up" auf dem Bildschirm erscheint (unter ②). (Beachten Sie, dass mit jedem Tastendruck die Anzeige zwischen "Set Up" und "Monitor" umgeschaltet wird.)
- Drücken Sie die entsprechende Taste Zeit einstellen ⑪ so oft wie nötig, um die OFF-Zeit einzustellen (unter ③).
- Drücken Sie die Taste Filter \leftarrow ④ um die Einstellung zu speichern.

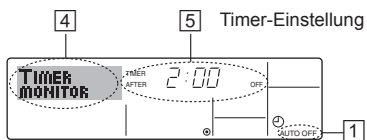
Hinweis:

Ihr Eintrag wird storniert, wenn Sie die Taste Betriebsart (Zurück) ② drücken, bevor Sie die Taste Filter \leftarrow ④ drücken.

- Drücken Sie die Taste Betriebsart (Zurück) ②, um den Einstellvorgang zu beenden und zum Standardkontrollbildschirm zurückzukehren.
- Falls die Klimaanlage bereits läuft, beginnt der Timer sofort mit dem Countdown. **Achten Sie darauf, zu überprüfen, ob die Timer-Einstellung richtig auf dem Display erscheint.**

6. Timer

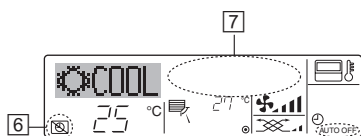
<Überprüfen der aktuellen Einstellung des Auto-Off-Timers>



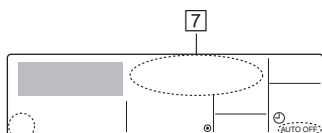
1. Achten Sie darauf, dass "Auto Off" auf dem Bildschirm sichtbar ist (unter 1).
2. Halten Sie die Taste Timer-Menü 3 Sekunden lang gedrückt, so dass "Monitor" auf dem Bildschirm angegeben wird (unter 4).
 - Der Timer, der noch beendet werden muss, erscheint unter 5.
3. Um den Monitor zu schließen und zum Standardkontrollbildschirm zurückzukehren, drücken Sie die Taste Betriebsart (Zurück) 2.

<So schalten Sie den Auto-Off-Timer aus...>

- Halten Sie die Taste Timer Ein/Aus 3 Sekunden lang gedrückt, so dass "Timer Off" erscheint (unter 6) und der Timer-Wert (unter 7) verschwindet.

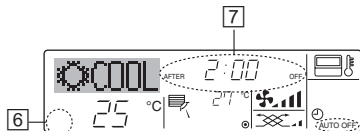


- Oder schalten Sie die Klimaanlage selbst aus. Der Timer-Wert (unter 7) verschwindet vom Bildschirm.

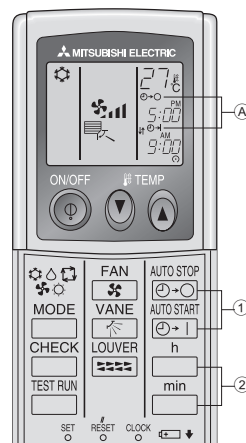


<So starten Sie den Auto-Off-Timer...>

- Halten Sie die Taste Timer Aus/Ein 3 Sekunden lang gedrückt. Die Anzeige "Timer Off" erscheint (unter 6) und die Timer-Einstellung erscheint auf dem Display (unter 7).
- Oder schalten Sie die Klimaanlage ein. Der Timer-Wert erscheint unter 7.



6.2. Für die schnurlose Fernbedienung



1. AUTO STOP oder AUTO START-Taste drücken (zeitschaltereinstellung).
 - Während das nachstehende Symbol blinkt, kann die Zeit eingestellt werden.
 - Ausschalt (OFF)-Timer: (A) (A) blinkt.
 - Einschalt (ON)-Timer: (A) (A) blinkt.
 2. Mit den Tasten h und min die gewünschte Zeit einstellen.
 3. Den Zeitschalter löschen.
 - Zum Löschen der Zeitschaltereinstellung OFF (AUS), die Taste (A) drücken.
 - Zum Löschen der Zeitschaltereinstellung ON (EIN), die Taste (A) drücken.
- Zeitschalter OFF (AUS) und ON (EIN) können miteinander kombiniert werden.
 - Das Betätigen der (A) ON/OFF (netzschalter EIN/AUS)-Taste der Fernbedienung im Zeitschalterbetrieb zum Ausschalten der Anlage führt zum Löschen des Zeitschalters.
 - Wenn die aktuelle Zeit nicht eingestellt wurde, kann der Timerbetrieb nicht benutzt werden.

7. Weitere Funktionen

7.1. Sperren der Fernbedienungstasten (Beschränkung der Betriebsfunktionen)

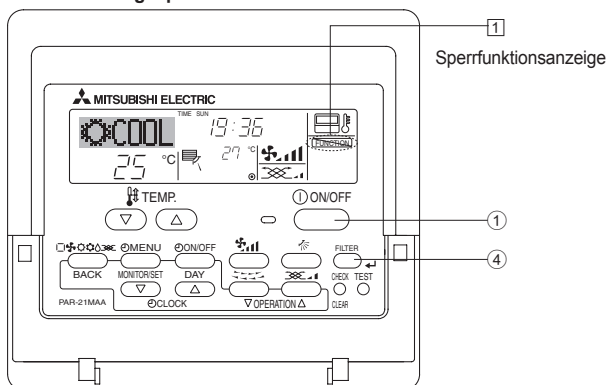
- Wenn Sie möchten, können Sie die Tasten der Fernbedienung sperren. Sie können die Funktionsauswahl der Fernbedienung verwenden, um auszuwählen, welche Art von Sperre Sie verwenden möchten. (Informationen zur Auswahl des Sperrtyps finden Sie in Abschnitt 8, Punkt [4]-2 (1).)

Sie können eine der zwei folgenden Sperrarten verwenden:

1. Alle Tasten sperren:
Sperrt alle Tasten auf der Fernbedienung
2. Alle außer EIN/AUS sperren:
Sperrt alle Tasten außer der Taste ON/OFF.

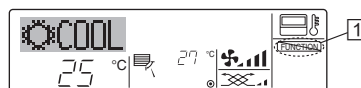
Hinweis:

Die Sperrfunktionsanzeige erscheint auf dem Bildschirm, um anzugeben, dass die Tasten zur Zeit gesperrt sind.



<So sperren Sie die Tasten>

1. Halten Sie die Taste Filter 4 zusammen mit der Taste ON/OFF 2 Sekunden lang gedrückt. Die Sperrfunktionsanzeige erscheint auf dem Bildschirm (unter 1) und zeigt an, dass die Sperre jetzt aktiv ist.
 - * Wenn das Sperren in der Funktionsauswahl deaktiviert wurde, zeigt der Bildschirm die Meldung "Not Available" an, wenn Sie die Tasten wie oben beschrieben drücken.



- Wenn Sie eine gesperrte Taste drücken, blinkt die Sperrfunktionsanzeige (unter 1) auf dem Display.



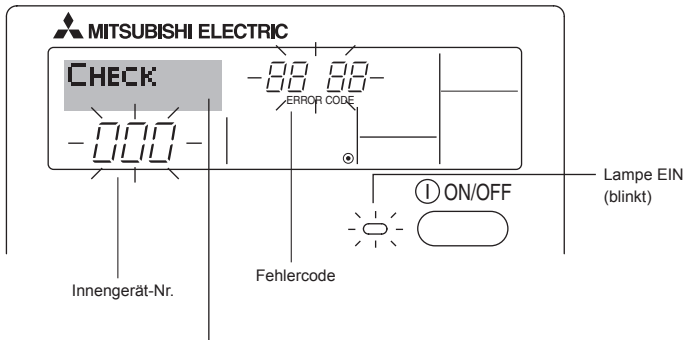
<So entsperren Sie die Tasten>

1. Halten Sie die Taste Filter 4 zusammen mit der Taste ON/OFF 2 Sekunden lang gedrückt – die Sperrfunktionsanzeige verschwindet vom Bildschirm (unter 1).



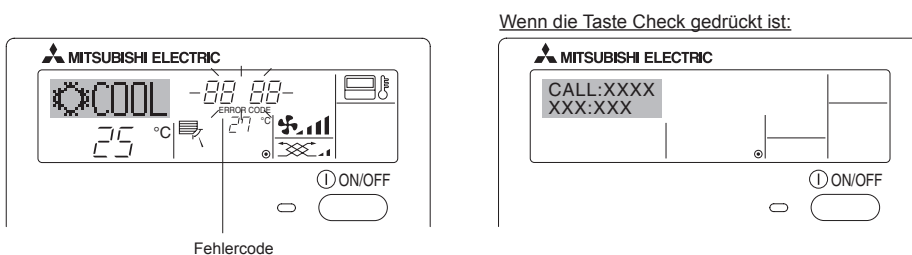
7. Weitere Funktionen

7.2. Anzeige von Fehlercodes



Wenn Sie eine Telefonnummer eingegeben haben, die bei Auftreten eines Problems angerufen werden sollte, zeigt der Bildschirm diese Nummer an. (Sie können dies in der Funktionsauswahl einrichten. Informationen dazu finden Sie in Abschnitt 8.)

- Falls sowohl die Lampe EIN als auch der Fehlercode blinken: Dies bedeutet, dass die Klimaanlage gestört ist und der Betrieb gestoppt wurde (und nicht wiederaufgenommen werden kann). Notieren Sie sich die angegebene Gerätenummer und den Fehlercode und schalten Sie dann die Netztaсте der Klimaanlage aus und rufen Sie Ihren Händler oder Servicetechniker.



- Wenn nur der Fehlercode blinkt (während die Lampe EIN leuchtet): Der Betrieb läuft weiter, es kann jedoch ein Problem mit dem System vorliegen. In diesem Fall sollten Sie den Fehlercode notieren und Ihren Händler oder Servicetechniker um Rat fragen.
- * Falls Sie eine Telefonnummer eingegeben haben, die bei Auftreten eines Problems angerufen werden soll, drücken Sie die Taste Check und die Nummer wird auf dem Bildschirm angezeigt. (Sie können dies in der Funktionsauswahl einrichten. Informationen dazu finden Sie in Abschnitt 8.)

8. Funktionsauswahl

Funktionsauswahl an der Fernbedienung

Die Einstellung der folgenden Fernbedienungsfunktionen kann mit dem Auswahlmodus der Fernbedienungsfunktion geändert werden. Ändern Sie die Einstellung nach Bedarf.

Eintrag 1	Eintrag 2	Eintrag 3 (Inhalt der Einstellungen)
1. Sprache ändern ("CHANGE LANGUAGE")	Einstellung der angezeigten Sprache	<ul style="list-style-type: none"> Anzeige in mehreren Sprachen ist möglich
2. Funktionsgrenzen ("Funktion auswählen")	(1) Einstellung der Funktionsgrenzen bei der Bedienung (Operation Lock) ("Sperr-Funktion")	<ul style="list-style-type: none"> Einstellung der Funktionsgrenzen bei der Bedienung (Sperrfunktion)
	(2) Einstellung der Benutzung der Betriebsart Automatisch ("Auswahl Autobetrieb")	<ul style="list-style-type: none"> Einstellung, ob die Betriebsart "Automatisch" benutzt wird oder nicht
	(3) Einstellung der Temperaturgrenzen ("Limit temp Funktion")	<ul style="list-style-type: none"> Einstellung des Temperaturbereichs (Maximum, Minimum)
3. Auswahl der Betriebsart ("Betriebsart wählen")	(1) Haupt-/Nebenfunktion der Fernbedienung ("Haupt/Neben controller")	<ul style="list-style-type: none"> Auswahl der Funktion als Haupt-/Nebenfernbedienung * Wenn zwei Fernbedienungen in einer Gruppe angeschlossen sind, muss eine der beiden als Nebengerät arbeiten.
	(2) Benutzung der Uhreinstellung ("Uhr")	<ul style="list-style-type: none"> Einstellung, ob die Zeitfunktionen benutzt werden oder nicht
	(3) Einstellung der Timer-Funktion ("Wochenzeit schalt uhr")	<ul style="list-style-type: none"> Einstellen des Timer-Typs
	(4) Kontaktnummer für den Fall von Fehlfunktionen ("CALL.")	<ul style="list-style-type: none"> Anzeige der Kontaktnummer für den Fall von Fehlfunktionen Einstellen der Telefonnummer
4. Änderung der Anzeige ("Anzeige Betriebsart")	(1) Temperatureinstellung in °C/°F ("Wechsel °C/°F")	<ul style="list-style-type: none"> Einstellen der Temperatureinheit der Anzeige (°C oder °F)
	(2) Einstellung der Anzeige der Luftansaugtemperatur ("Raum TEMP gewählt")	<ul style="list-style-type: none"> Einstellung, ob die Temperatur der (angesaugten) Innenluft angezeigt wird oder nicht
	(3) Einstellung der automatischen Kühl-/Heizanzeige ("Auto Betrieb C/H")	<ul style="list-style-type: none"> Einstellung, ob "Cooling" oder "Heating" (Kühlen/Heizen) in der Betriebsart Automatisch angezeigt werden oder nicht

8. Funktionsauswahl

[Flussdiagramm der Funktionsauswahl] Spracheinstellung (Englisch)

Normalbetriebsanzeige (Anzeige bei deaktivierter Klimaanlage)

Halten Sie die Taste **Ⓜ** gedrückt und drücken Sie Taste **Ⓜ** 2 Sekunden lang.

Halten Sie die Taste **Ⓜ** gedrückt und drücken Sie Taste **Ⓜ** 2 Sekunden lang.

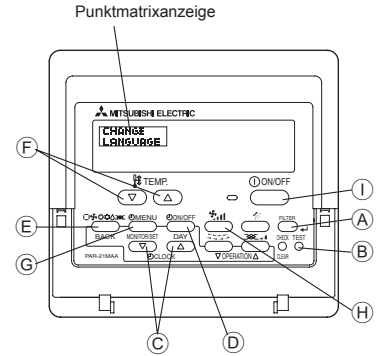
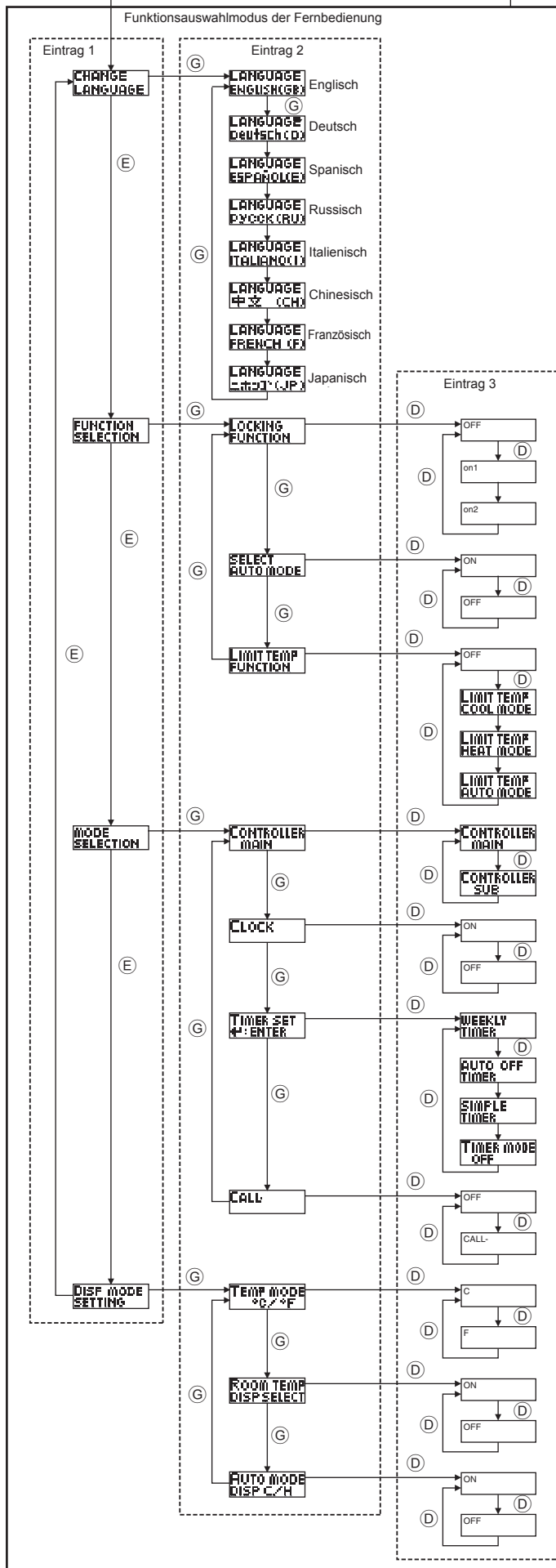
- Ⓜ Drücken Sie die Taste für die Betriebsart.
- Ⓜ Drücken Sie die Taste TIMER MENU (TIMER-MENÜ).
- Ⓜ Drücken Sie die Taste TIMER ON/OFF (TIMER EIN/AUS).

Sprache ändern

Funktion auswählen

Betriebsart wählen

Anzeige Betriebsart



- Einstellung für die Bedienungssperre wird nicht benutzt. (Anfänglicher Einstellungswert)
- Bedienungssperre außer für Taste On/Off (Ein/Aus).
- Bedienungssperre für alle Tasten.
- Die Betriebsart Automatisch wird angezeigt, wenn die Betriebsart gewählt wird. (Anfänglicher Einstellungswert)
- Die Betriebsart Automatisch wird nicht angezeigt, wenn die Betriebsart gewählt wird.
- Die Temperaturbereichsgrenzen sind nicht aktiv. (Anfänglicher Einstellungswert)
- Der Temperaturbereich kann in der Betriebsart Kühlen/Trocken geändert werden.
- Der Temperaturbereich kann in der Betriebsart Heizen geändert werden.
- Der Temperaturbereich kann in der Betriebsart Automatisch geändert werden.
- Die Fernbedienung fungiert als Hauptfernbedienung. (Anfänglicher Einstellungswert)
- Die Fernbedienung fungiert als Nebenfernbedienung.
- Die Uhrfunktion kann benutzt werden. (Anfänglicher Einstellungswert)
- Die Uhrfunktion kann nicht benutzt werden.
- Der wöchentliche Timer kann benutzt werden. (Anfänglicher Einstellungswert)
- Der Timer für automatisches Ausschalten kann benutzt werden.
- Der einfache Timer kann benutzt werden.
- Betriebsart Timer kann nicht benutzt werden.
- Die eingestellten Kontaktnummern werden im Falle von Fehlern nicht angezeigt. (Anfänglicher Einstellungswert)
- Die eingestellten Kontaktnummern werden im Falle von Fehlern angezeigt.
- Die Temperatureinheit °C wird verwendet. (Anfänglicher Einstellungswert)
- Die Temperatureinheit °F wird verwendet.
- Die Umgebungstemperatur wird angezeigt. (Anfänglicher Einstellungswert)
- Die Umgebungstemperatur wird nicht angezeigt.
- Entweder "Automatic cooling" (automatisches Kühlen) oder "Automatic heating" (automatisches Heizen) wird angezeigt, wenn die Betriebsart Automatisch gewählt wurde. (Anfänglicher Einstellungswert)
- Nur "Automatic" (automatisch) wird in der Betriebsart Automatisch angezeigt.

8. Funktionsauswahl

[Genaue Einstellung]

[4]–1. Einstellung CHANGE LANGUAGE (Sprache ändern)

Die Sprache des Punktmatrix-Displays kann eingestellt werden.

- Drücken Sie die Taste [MENU] ⊕ um die Sprache einzustellen.
 - ① Englisch (GB), ② Deutsch (D), ③ Spanisch (E), ④ Russisch (RU), ⑤ Italienisch (I), ⑥ Chinesisch (CH), ⑦ Französisch (F), ⑧ Japanisch (JP)

Siehe Punktmatrix-Tabelle.

[4]–2. Funktionsgrenzen

(1) Einstellung der Funktionsgrenzen bei der Bedienung (Sperrfunktion)

- Zur Umschaltung der Einstellung drücken Sie die Taste [ON/OFF] ⊕.
 - ① no1 : Die Einstellung der Bedienungssperre (Operation Lock) gilt für alle Tasten außer der [ON/OFF]-Taste.
 - ② no2 : Die Einstellung der Bedienungssperre gilt für alle Tasten.
 - ③ OFF (Anfängliche Einstellungswert):
Die Einstellung der Bedienungssperre wird nicht vorgenommen.
- * Damit die Bedienungssperre (Operation Lock) in der normalen Anzeige gültig ist, müssen Sie die [FILTER]-Taste gedrückt halten und währenddessen die Taste [ON/OFF] 2 Sekunden lang drücken, nachdem Sie die obige Einstellung durchgeführt haben.

(2) Einstellung der Benutzung der Betriebsart Automatisch

Wenn die Fernbedienung an einem Gerät angeschlossen ist, bei dem ein automatischer Betrieb möglich ist, können die folgenden Einstellungen vorgenommen werden.

- Zur Umschaltung der Einstellung drücken Sie die Taste [ON/OFF] ⊕.
 - ① ON (Anfängliche Einstellungswert):
Die Betriebsart Automatisch wird angezeigt, wenn diese Betriebsart ausgewählt wird.
 - ② OFF:
Die Betriebsart Automatisch wird nicht angezeigt, wenn diese Betriebsart ausgewählt wird.

(3) Einstellung der Temperaturgrenzen

Nach dieser Einstellung kann die Temperatur im eingestellten Bereich verändert werden.

- Zur Umschaltung der Einstellung drücken Sie die Taste [ON/OFF] ⊕.
 - ① Limit Kühltemperatur:
Der Temperaturbereich kann in der Betriebsart Kühlen/Trocknen geändert werden.
 - ② Limit Heiztemperatur:
Der Temperaturbereich kann in der Betriebsart Heizen geändert werden.
 - ③ Limit Auto-Temperatur:
Der Temperaturbereich kann in der Betriebsart Automatisch geändert werden.
 - ④ OFF (Anfangseinstellung):
Die Temperaturbereichsgrenzen sind nicht aktiv.
- * Wenn eine andere Einstellung als OFF gewählt wird, werden die Temperaturbereichsgrenzen für Kühlen, Heizen und automatischen Betrieb gleichzeitig eingestellt. Der Bereich kann jedoch nicht begrenzt werden, wenn der eingestellte Temperaturbereich sich nicht geändert hat.
- Um die Temperatur zu erhöhen oder zu verringern, drücken Sie die Taste [TEMP. (▽) oder (△)] ⊕.
- Um die Obergrenze und die Untergrenze einzustellen, drücken Sie die Taste [FAN] ⊕. (Gebläsegeschwindigkeit). Die ausgewählte Einstellung blinkt, und die Temperatur kann eingestellt werden.
- Einstellbarer Bereich
Betriebsart Kühlen/Trocknen:
Untergrenze: 19°C bis 30°C Obergrenze: 30°C bis 19°C
Betriebsart Heizen:
Untergrenze: 17°C bis 28°C Obergrenze: 28°C bis 17°C
Betriebsart Automatisch:
Untergrenze: 19°C bis 28°C Obergrenze: 28°C bis 19°C

[4]–3. Einstellen der Auswahl der Betriebsart

(1) Haupt-/Nebenfunktion der Fernbedienung

- Zur Umschaltung der Einstellung drücken Sie die Taste [ON/OFF] ⊕.
 - ① Haupt: Die Fernbedienung fungiert als Hauptfernbedienung.
 - ② Neben: Die Fernbedienung fungiert als Nebenfernbedienung.

(2) Benutzung der Uhreinstellung

- Zur Umschaltung der Einstellung drücken Sie die Taste [ON/OFF] ⊕.
 - ① ON: Die Clock-Funktion kann benutzt werden.
 - ② OFF: Die Clock-Funktion kann nicht benutzt werden.

(3) Einstellung der Timer-Funktion

- Zur Umschaltung der Einstellung drücken Sie die Taste [ON/OFF] ⊕ (Wählen Sie einen der folgenden Einträge aus.).
 - ① Wochenzeitschaltuhr (Anfängliche Einstellungswert):
Der Wochen-Timer kann benutzt werden.
 - ② Autozeitfunktion aus:
Der Auto-Off-Timer kann benutzt werden.
 - ③ Einfache Zeitfunktion:
Der einfache Timer kann benutzt werden.
 - ④ Zeitschaltuhr Aus:
Der Timer-Modus kann nicht benutzt werden.
- * Wenn die Verwendung der Clock-Einstellung auf OFF steht, kann "Wochenzeit schalt uhr" nicht benutzt werden.

(4) Kontaktnummer für den Fall von Fehlfunktionen

- Zur Umschaltung der Einstellung drücken Sie die Taste [ON/OFF] ⊕.
 - ① CALL OFF:
Die eingestellten Kontaktnummern werden im Falle von Fehlfunktionen nicht angezeigt.
 - ② CALL **** * * * * *:
Die eingestellten Kontaktnummern werden im Falle von Fehlfunktionen angezeigt.
CALL_ :
Die Kontaktnummer kann eingegeben werden, wenn das Display so aussieht wie links gezeigt.
- Eingabe der Kontaktnummern
Zur Eingabe der Kontaktnummern gehen Sie wie folgt vor. Bewegen Sie den blinkenden Cursor auf die eingestellten Nummern. Drücken Sie die Taste [TEMP. (▽) und (△)] ⊕, um den Cursor nach rechts (links) zu bewegen. Drücken Sie die Taste [CLOCK (▽) und (△)] ⊕, um die Nummern einzustellen.

[4]–4. Einstellung der Anzeige

(1) Temperatureinstellung in °C/°F

- Zur Umschaltung der Einstellung drücken Sie die Taste [ON/OFF] ⊕.
 - ① °C: Für die Temperatur wird die Einheit Celsius (°C) verwendet.
 - ② °F: Für die Temperatur wird die Einheit Fahrenheit (°F) verwendet.

(2) Einstellung der Anzeige der Luftansaugtemperatur

- Zur Umschaltung der Einstellung drücken Sie die Taste [ON/OFF] ⊕.
 - ① ON: Die Temperatur der Ansaugluft wird angezeigt.
 - ② OFF: Die Temperatur der Ansaugluft wird nicht angezeigt.

(3) Einstellung der automatischen Kühl-/Heizanzeige

- Zur Umschaltung der Einstellung drücken Sie die Taste [ON/OFF] ⊕.
 - ① ON:
Entweder "Automatic cooling" (Automatisches Kühlen) oder "Automatic heating" (Automatisches Heizen) wird in der Betriebsart Automatisch angezeigt.
 - ② OFF:
Nur "Automatic" wird in der Betriebsart Automatisch angezeigt.

8. Funktionsauswahl

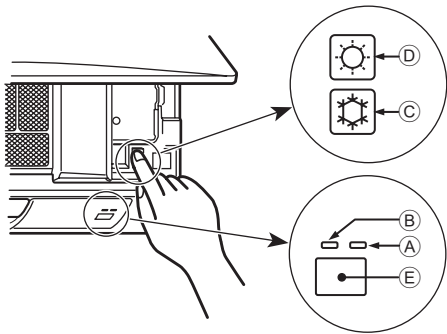
[Tabelle Punktmatrix]

Spracheinstellung		Englisch	Deutsch	Spanisch	Russisch	Italienisch	Chinesisch	Französisch	Japanisch
Warten auf Start		PLEASE WAIT	←	←	←	←	←	←	←
Betriebsart	Kühlen	COOL	Kühlen	FRÍO	Холод	COOL	制冷	FROID	冷房
	Trocknen	DRY	Trocknen	DESHUMIDIFICACIÓN	Сушка	DRY	除湿	DESHU	ドライ
	Heizen	HEAT	Heizen	CALOR	Тепло	HEAT	制热	CHAUD	暖房
	Automatik	AUTO	AUTO	AUTOMÁTICO	Авто	AUTO	自动	AUTO	自動
	Automatik (Kühlen)	COOL	Kühlen	FRÍO	Холод	COOL	制冷	FROID	冷房
	Automatik (Heizen)	HEAT	Heizen	CALOR	Тепло	HEAT	制热	CHAUD	暖房
	Gebläse	FAN	Lüfter	VENTILACIÓN	Вент	VENTILAZIONE	送风	VENTILATION	送風
	Belüftung	VENTILATION	Geblüsebetrieb	VENTILACIÓN	Вентиляция	ARIA ESTERNA	换气	VENTILATION	换气
	Stand By (Voreinstellungen möglich)	STAND BY	STAND BY	CALENTANDO	ОБОГРЕВ: ПАУЗА	STAND BY	准备中	PRE CHAUFFAGE	準備中
Abtauen	DEFROST	Abtauen	DESCONGELACIÓN	ОТТАВЛИВАНИЕ	SBRINAMENTO	除霜中	DEGIVRAGE	霜取中	
Eingestellte Temperatur		SET TEMP	TEMP. Einstellen	TEMP. CONSIGNA	ЦЕЛЕВАЯ ТЕМПЕРАТУРА	IMPOSTAZIONE TEMPERATURA	设定温度	REGLAGE TEMPERATURE	設定温度
Lüftergeschwindigkeit		FAN SPEED	Lüftergeschwindigkeit	VELOCIDAD VENTILADOR	СКОРОСТЬ ВЕНТИЛЯТОРА	VELOCITA' VENTILATORE	风速	VITESSE DE VENTILATION	風速
Nicht verwendete Taste		NOT AVAILABLE	nicht verfügbar	NO DISPONIBLE	НЕ ДОСТУПНО	NON DISPONIBILE	无效按钮	NON DISPONIBLE	無効ボタン
Prüfen (Fehler)		CHECK	Prüfen	COMPROBAR	ПРОВЕРКА	CHECK	检查	CONTROLE	点検
Testlauf		TEST RUN	Testbetrieb	TEST FUNCIONAMIENTO	ТЕСТОВЫЙ ЗАПУСК	TEST RUN	试运行	TEST	試運転
Selbsttest		SELF CHECK	Selbstdiagnose	AUTO REVISIÓN	САМОДИАГНОСТИКА	SELF CHECK	自我诊断	AUTO CONTROLE	自己診断
Auswahl der Gerätefunktion		FUNCTION SELECTION	Funktionauswahl	SELECCIÓN DE FUNCIÓN	ВЫБОР ФУНКЦИИ	SELEZIONE FUNZIONI	功能选择	SELECTION FUNCTIONS	機能選択
Lüfterstufen wählen		SETTING OF VENTILATION	Lüfterstufen wählen	CONFIG. VENTILACIÓN	НАСТРОЙКА ВЕНТУСТАЯ	IMPOSTAZIONE ARIA ESTERNA	换气设定	SELECTION VENTILATION	換気設定

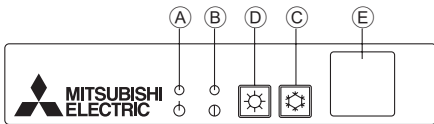
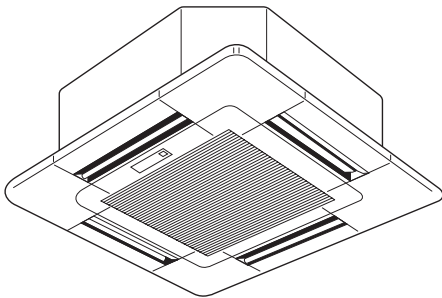
Spracheinstellung		Englisch	Deutsch	Spanisch	Russisch	Italienisch	Chinesisch	Französisch	Japanisch
Sprache ändern		CHANGE LANGUAGE	←	←	←	←	←	←	←
Funktion auswählen		FUNCTION SELECTION	Funktion auswählen	SELECCIÓN DE FUNCIONES	ВЫБОР ФУНКЦИИ	SELEZIONE FUNZIONI	功能限制	SELECTION FONCTIONS	機能制限
Einschränkung der Bedienungsfunktionen		LOCKING FUNCTION	Sperre - Funktion	FUNCION BLOQUEADA	ФУНКЦИЯ БЛОКИРОВАН	BLOCCO FUNZIONI	操作限制	BLOCCAGE FONCTIONS	操作ロック
Betriebsart Automatisch wählen		SELECT AUTO MODE	Auswahl Auto Betrieb	SELECCIÓN MODO AUTO	ВЫБОР РЕЖИМА АВТО	SELEZIONE MODO AUTO	自动模式	SELECTION DU MODO AUTO	自動モード
Temperaturbereichsgrenzen einstellen		LIMIT TEMP FUNCTION	Limit Temp Funktion	LIMIT TEMP CONSIGNA	ОГРАНИЧЕНИЕ УСТ. ТЕМПЕРАТ	LIMITAZIONE TEMPERATURA	温度限制	LIMITAZIONE TEMPERATURE	温度制限
Temperatur in Betriebsart Kühlen/Tag begrenzen		LIMIT TEMP COOL MODE	Limit Kühl Temp	LIMIT TEMP MODO FRIO	ОГРАНИЧЕНИЕ Охлаждения	LIMITAZIONE MODO COOL	制冷范围	LIMITE TEMP MODO FROID	制冷冷房
Temperatur in Betriebsart Heizen begrenzen		LIMIT TEMP HEAT MODE	Limit Heiz Temp	LIMIT TEMP MODO CALOR	ОГРАНИЧЕНИЕ ОБОГРЕВ	LIMITAZIONE MODO HEAT	制热范围	LIMITE TEMP MODO CHAUD	制热暖房
Temperatur in Betriebsart Automatisch begrenzen		LIMIT TEMP AUTO MODE	Limit Auto Temp	LIMIT TEMP MODO AUTO	ОГРАНИЧЕНИЕ РЕЖИМА АВТО	LIMITAZIONE MODO AUTO	自动范围	LIMITE TEMP MODO AUTO	制自动
Betriebsart auswählen		MODE SELECTION	Betriebsart wählen	SELECCIÓN DE MODO	ВЫБОР РЕЖИМА	SELEZIONE MODO	基本模式	SELECTION DU MODO	基本機能
Fernbedienung auf MAIN (HAUPT) einstellen		CONTROLLER MAIN	Haupt Controller	CONTROL PRINCIPAL	ОСНОВНОЙ ПУЛЬТ	CONTROLLO MAIN	遥控主	TECOMMANDE MAITRE	リモコン主
Fernbedienung auf SUB (NEBEN) einstellen		CONTROLLER SUB	Neben Controller	CONTROL SECUNDARIO	ДОПОЛНИТЕЛЬНЫЙ ПУЛЬТ	CONTROLLO SUB	遥控辅	TECOMMANDE ESCLAVE	リモコン主副
Uhreinstellung benutzen		CLOCK	Uhr	RELOJ	ЧАСЫ	OROLOGIO	时钟	AFFICHAGE HORLOGE	時計 ヨウウ
Wochentag und Zeit einstellen		TIME SET 4:ENTER	Uhr stellen 4: einstellen	CONFIG RELOJ 4: CONFIG	ЧАСЫ: УСТ. 4: ВВОД	OROLOGIO 4: ENTER	时间 4: ENTER	HORLOGE 4: ENTRER	トキイセッテイ 4: カクテイ
Timer einstellen		TIMER SET 4:ENTER	Zeitschaltuhr 4: einstellen	TEMPORIZA - DOR 4: CONFIG	ТАЙМЕР: УСТ. 4: ВВОД	TIMER 4: ENTER	定时器 4: ENTER	PROG HORAIRE 4: ENTRER	タイマーセッテイ 4: カクテイ
Timer anzeigen		TIMER MONITOR	Uhrzeit Anzeige	VISUALIZAR TEMPORIZAD.	ПРОСМОТР ТАЙМЕРА	VISUALIZ TIMER	定时器状态	AFFICHAGE PROG HORAIRE	タイマーモニター
Wöchentlicher Timer		WEEKLY TIMER	Wochenzeit schalt Uhr	TEMPORIZA - DOR SEMANAL	НЕДЕЛЬНЫЙ ТАЙМЕР	TIMER SETTIMANALE	每周定时器	PROG HERDO MAIDAIRE	タイマー週間
Betriebsart Timer aus		TIMER MODE OFF	Zeitschaltuhr AUS	TEMPORIZA - DOR APAGADO	ТАЙМЕР ВЫКЛ.	TIMER OFF	定时器无效	PROG HORAIRE INACTIF	タイマー無効
Timer für automatisches Ausschalten		AUTO OFF TIMER	Auto Zeit funktion AUS	APAGADO AUTOMÁTICO	АВТООТКЛЮЧ. ПО ТАЙМЕРУ	AUTO OFF TIMER	解除定时	PROG HORAIRE ARRET AUTO	タイマーオフホウシ
Einfacher Timer		SIMPLE TIMER	Einfache Zeitfunktion	TEMPORIZA - DOR SIMPLE	ПРОСТОЙ ТАЙМЕР	TIMER SEMPLIFICATO	简易定时器	PROG HORAIRE SIMPLIFIE	タイマーカンイ
Kontaktnummer bei Fehlern		CALL	←	←	←	←	←	←	←
Änderung anzeigen		DISP MODE SETTING	Anzeige Betriebsart	MOstrar MODO	НАСТРОЙКА ИНА РЕЖИМА	IMPOSTAZIONE MODO DISPLAY	转换表示	AFFICHAGE SOUS MENU	表示切替
Einstellung °C/°F für Temperaturanzeige		TEMP MODE °C/°F	Wechsel °C/°F	TEMP GRADOS °C/°F	ЕДИН. ТЕМПЕРАТ. °C/°F	TEMPERATURA °C/°F	温度 °C/°F	TEMPERATURE °C/°F	温度 °C/°F
Einstellung für Anzeige der Umgebungstemperatur		ROOM TEMP DISP SELECT	Raum Temp gewählt	MOstrar TEMP.	ПОКАЗЫВАТЬ ТЕМП. В КОМН.	TEMPERATURA AMBIENTE	吸入温度	TEMPERATURE AMBIANTE	スリコエント 室温
Einstellung für Anzeige bei automatischem Kühlen/Heizen		AUTO MODE DISP C/H	Auto Betrieb C/H	MOstrar F/C EN AUTO	ИНА. Т./Х В РЕЖИМЕ АВТО	AUTO C/H	自动表示	AFFICHAGE AUTO F/C	自動 室温

9. Notbetrieb bei schnurloser Fernbedienung

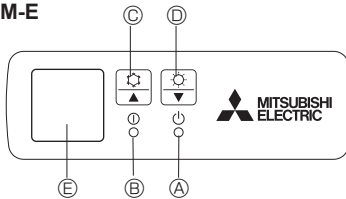
■ PKFY-P-VKM-E



■ PLFY-P-VCM-E2



■ PCFY-P-VKM-E



Wenn die Fernbedienung nicht benutzt werden kann.

Wenn die Batterien der Fernbedienung leer sind oder bei Fehlfunktionen der Fernbedienung, kann mit den Nottasten am Gitter der Notbetrieb erfolgen.

- Ⓐ DEFROST/STAND BY
(Enteisen/Betriebsbereitschaft)-Kontrolllampe
- Ⓑ Betriebskontrolllampe
- Ⓒ Notbetriebsschalter für die Kühlung
- Ⓓ Notbetriebsschalter für das Heizen
- Ⓔ Empfänger

So starten Sie den Betrieb

- Zum Starten des Kühlbetriebs drücken Sie Taste Ⓒ ☼ länger als 2 Sekunden.
- Zum Starten des Heizbetriebs drücken Sie Taste Ⓓ ☼ länger als 2 Sekunden.
- Das Aufleuchten der Betriebskontrolllampe Ⓑ bedeutet, dass der Betrieb eingesetzt hat.

Hinweis:

- Einzelheiten zum Notbetrieb sind unten angegeben.

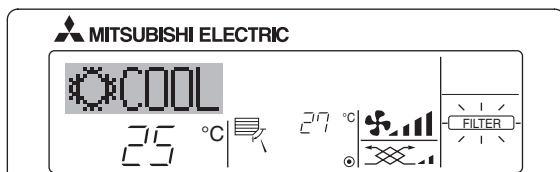
Einzelheiten zum NOTBETRIEB sind nachstehend dargestellt.

Betriebsart	COOL	HEAT
Eingestellte Temperatur	24 °C	24 °C
Lüftergeschwindigkeit	Schnell	Schnell
Luftstromrichtung	Horizontal	Nach unten 4 (5)

Ausschalten des Betriebs

- Zum Ausschalten des Betriebs drücken Sie Taste Ⓒ ☼ oder Ⓓ ☼ länger als 2 Sekunden.

10. Pflege und Reinigung



- Anzeige, dass der Filter gereinigt werden muss.
Filter reinigen.
- "FILTER"-Anzeige zurücksetzen
Wird nach dem Reinigen des Filters die Taste [FILTER] zweimal hintereinander gedrückt, wird die Anzeige gelöscht und zurückgesetzt.

Hinweis:

- Werden zwei oder mehr Innenanlagen gesteuert, kann die Reinigungsperiode entsprechend der Filtertypen unterschiedlich sein. Wird die Reinigungsperiode der Hauptanlage erreicht, wird "FILTER" angezeigt. Ist die Anzeige Filter ausgeschaltet, ist die kumulierte Zeit zurückgesetzt.
- "FILTER" zeigt die Reinigungsperiode an, in der die Klimaanlage unter allgemeinen inneren Luftbedingungen in einer bestimmten Zeit betrieben wurde. Da der Grad der Verunreinigung von den Umgebungsbedingungen abhängig ist, muss der Filter entsprechend gereinigt werden.
- Die kumulative Zeit der Reinigungsperiode der Filter unterscheidet sich nach den entsprechenden Modellen.
- Diese Anzeige ist bei schnurlosen Fernbedienungen nicht verfügbar.

► Reinigung der Filter

- Die Filter mit einem Staubsauger reinigen. Wenn Sie keinen Staubsauger besitzen, den Schmutz und Staub durch Klopfen der Filter auf einen harten Gegenstand hinaus befördern.
- Wenn die Filter besonders schmutzig sind, diese in lauwarmem Wasser auswaschen. Sorgfältig darauf achten, das Waschmittel gründlich auszuspülen und die Filter vor dem Wiedereinsetzen in die Anlage vollständig trocknen lassen.

⚠ **Vorsicht:**

- Die Filter nicht in direktem Sonnenlicht oder unter Verwendung einer Wärmequelle, wie etwa einer Elektroheizung, trocknen: sie können sich dadurch verformen.
- Die Filter nicht in heißem Wasser (mehr als 50°C) waschen, da sie sich sonst verformen können.
- Dafür sorgen, dass die Luftfilter immer installiert sind. Der Betrieb der Anlage ohne Luftfilter kann zu Fehlfunktionen führen

⚠ **Vorsicht:**

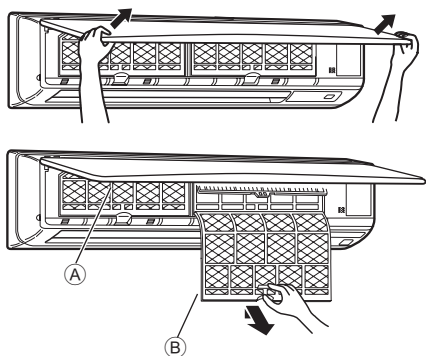
- Zur Reinigung muss unbedingt der Betrieb eingestellt und die Stromversorgung ausgeschaltet werden.
- Jede Inneneinheit hat Filter, um Staub aus der angesaugten Luft zu entfernen. Reinigen Sie die Filter unter Bezug auf die folgende Abbildung.

⚠ **Vorsicht:**

- Bei Entfernen des Filters Vorsichtsmaßnahmen treffen, um die Augen vor dem Staub zu schützen. Außerdem darauf achten, nicht zu fallen, falls für diese Aufgabe ein Hocker benutzt werden muss.
- Wenn der Filter entfernt ist, die metallenen Bauteile im Inneren der Innenanlage nicht berühren; andernfalls können Sie sich verletzen.

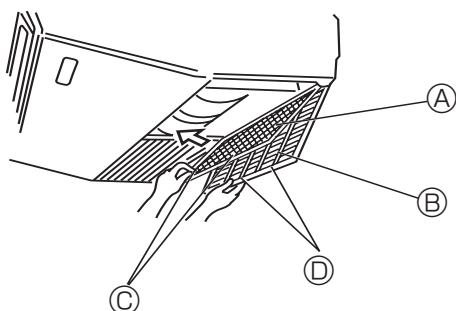
10. Pflege und Reinigung

■ PKFY-P-VKM-E



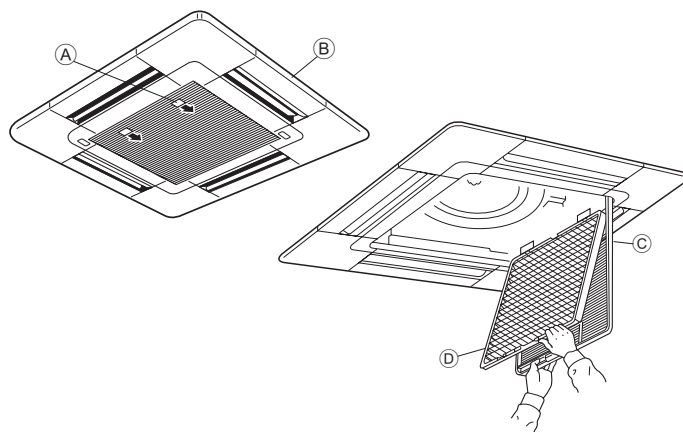
- ① Ziehen Sie die beiden unteren Ecken des Einlassgitters mit beiden Händen heraus und heben Sie dann den Filter heraus, bis er an der Stopp-Position einrastet.
 - ② Ziehen Sie den Filter an den Knöpfen zuerst nach oben und dann nach unten heraus.
(Zwei Stellen, links und rechts.)
- A Frontgitter
 B Filter

■ PCFY-P-VKM-E



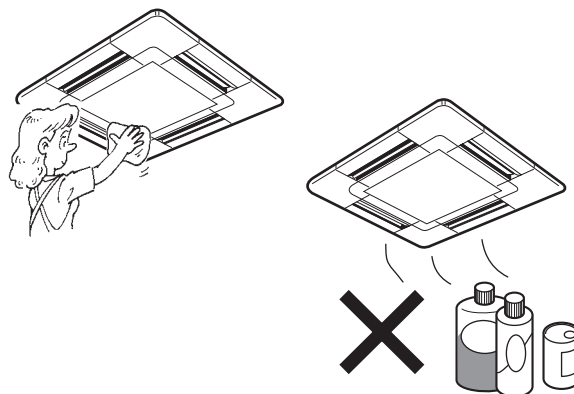
- ① Das Ansauggitter öffnen.
 - ② Den Knopf am Filter ergreifen, dann den Filter nach oben in Pfeilrichtung ziehen. Zum Ersetzen des Filters nach der Reinigung vergewissern, dass der Filter weit genug eingesetzt wird, bis er ganz in das Verschlussstück hineinpasst.
- A Filter B Ansauggitter C Knopf D Verschlussstück

■ PLFY-P-VCM-E2



- ① Den Knopf am Ansauggitter in der durch den Pfeil gekennzeichneten Richtung ziehen und das Gitter sollte sich öffnen.
 - ② Das Ansauggitter öffnen.
 - ③ Zum Herausnehmen des Filters den Knopf an der mittleren Kante des Ansauggitters lösen und den Filter nach vorne ziehen.
- A Knopf
 B Gitter
 C Ansauggitter
 D Filter

Reinigung der Innenanlage



- Die Außenseite der Anlage mit einem sauberen, weichen Trockentuch abwischen.
- Alle Schmutzflecken oder Fingerabdrücke mit einem neutralen Haushaltsreiniger (Geschirrspülmittel oder Waschmittel) reinigen.

⚠ Vorsicht:

Niemals Benzin, Waschbenzin, Verdünner, Scheuersand oder sonstige nicht-neutrale Waschmittel verwenden, da diese Substanzen das Gehäuse der Anlage beschädigen können.

11. Fehlerbehebung

Probleme?	Hier ist die Lösung. (Gerät arbeitet normal.)
Klimaanlage heizt bzw. kühlt schlecht.	<ul style="list-style-type: none"> ■ Reinigen Sie den Filter. (Bei verschmutztem oder blockiertem Filter wird der Luftstrom behindert.) ■ Prüfen Sie die Temperaturanpassung und passen Sie die eingestellte Temperatur an. ■ Stellen Sie sicher, dass um das Außengerät herum genügend Freiraum ist. Ist der Luften- oder Luftauslass des Innengeräts blockiert? ■ Wurde eine Tür oder ein Fenster offen stehen gelassen?
Beim Anlaufen des Heizvorgangs dauert es eine Zeit, bis warme Luft vom Innengerät abgegeben wird.	<ul style="list-style-type: none"> ■ Erst wenn das Innengerät sich ausreichend erwärmt hat, bläst es warme Luft.
In der Betriebsart Heizen stoppt die Klimaanlage, bevor die eingestellte Umgebungstemperatur erreicht wurde.	<ul style="list-style-type: none"> ■ Wenn die Außentemperatur gering ist und die Feuchtigkeit hoch, kann sich Eis auf dem Außengerät bilden. Wenn dies geschieht, führt das Außengerät einen Abtauvorgang aus. Normaler Betrieb sollte nach ungefähr 10 Minuten beginnen.
Richtung des Luftstroms ändert sich bei laufendem Betrieb oder die Richtung des Luftstroms kann nicht eingestellt werden.	<ul style="list-style-type: none"> ■ In der Betriebsart Kühlen werden die Klappen nach 1 Stunde automatisch in horizontale Stellung (nach unten) gebracht, wenn die Luftstromrichtung nach unten (horizontal) gewählt wurde. Dies soll verhindern, dass sich Wasser an den Klappen bildet und heruntertropft. ■ In der Betriebsart Heizen werden die Klappen automatisch in horizontale Luftstromrichtung gebracht, wenn die Luftstromtemperatur zu niedrig ist oder in der Betriebsart Abtauen.
Wenn die Luftstromrichtung geändert wird, bewegen sich die Klappen auf und ab über die eingestellte Position hinaus, bevor sie schließlich in der eingestellten Position stoppen.	<ul style="list-style-type: none"> ■ Wenn die Luftstromrichtung geändert wird, bewegen sich die Klappen in die eingestellte Position, nachdem die Grundstellung erkannt wurde.
Gelegentlich ist ein Geräusch wie fließendes Wasser oder ein Zischen zu hören.	<ul style="list-style-type: none"> ■ Diese Geräusche entstehen, wenn Kältemittel in der Klimaanlage fließt oder wenn sich der Kältemitteldurchfluss ändert.
Ein Knarren oder Quietschen ist zu hören.	<ul style="list-style-type: none"> ■ Diese Geräusche werden durch Teile verursacht, die aneinander reiben aufgrund von Ausdehnung und Zusammenziehen bei Temperaturänderungen.
Der Raum wird von einem unangenehmen Geruch durchströmt.	<ul style="list-style-type: none"> ■ Das Innengerät saugt Luft ein, die mit den Ausdünstungen der Wände, Teppiche und Möbel durchsetzt ist, sowie mit Gerüchen, die sich in Kleidung befinden, und bläst diese Luft anschließend zurück in den Raum.
Das Innengerät strömt einen weißen Nebel oder Dampf aus.	<ul style="list-style-type: none"> ■ Wenn Innentemperatur und Feuchtigkeit hoch sind, kann es bei Betriebsbeginn zu dieser Erscheinung kommen. ■ In der Betriebsart Abtauen kann ein kühler Luftstrom nach unten blasen und wie Nebel erscheinen.
Das Außengerät strömt Wasser oder Dampf aus.	<ul style="list-style-type: none"> ■ In der Betriebsart Kühlen kann sich Wasser bilden und von kalten Rohren und Verbindungen tropfen. ■ In der Betriebsart Heizen kann sich Wasser bilden und vom Wärmetauscher heruntertropfen. ■ In der Betriebsart Abtauen verdunstet Wasser auf dem Wärmetauscher und Wasserdampf kann ausströmen.
Die Betriebsanzeige erscheint nicht im Display der Fernbedienung.	<ul style="list-style-type: none"> ■ Schalten Sie den Netzschalter ein. "●" erscheint im Display der Fernbedienung.
Die Klimaanlage arbeitet selbst dann nicht, wenn die Taste ON/OFF gedrückt wird. Die Betriebsartanzeige auf der Fernbedienung erlischt.	<ul style="list-style-type: none"> ■ Ist der Netzschalter der Innenanlage ausgeschaltet? Schalten Sie den Netzschalter ein.
"☒" erscheint im Display der Fernbedienung.	<ul style="list-style-type: none"> ■ Bei Zentralsteuerung erscheint "☒" im Display der Fernbedienung und der Klimaanlagenbetrieb kann mit der Fernbedienung weder aufgenommen noch gestoppt werden.
Wenn die Klimaanlage erneut gestartet wird kurz nachdem sie ausgeschaltet wurde, lässt sie sich auch durch Drücken auf die Taste ON/OFF (EIN/AUS) nicht einschalten.	<ul style="list-style-type: none"> ■ Warten Sie etwa drei Minuten. (Der Betrieb wurde zum Schutz der Klimaanlage eingestellt.)
Die Klimaanlage schaltet sich ein, ohne dass die Taste ON/OFF (EIN/AUS) gedrückt wurde.	<ul style="list-style-type: none"> ■ Ist der Timer zum Einschalten gesetzt? Drücken Sie auf ON/OFF, um das Gerät auszuschalten. ■ Ist die Klimaanlage an eine zentrale Fernbedienung angeschlossen? Wenden Sie sich an die betreffenden Personen, die die Klimaanlage steuern. ■ Erscheint "☒" im Display der Fernbedienung? Wenden Sie sich an die betreffenden Personen, die die Klimaanlage steuern. ■ Wurde die automatische Wiederherstellung nach Stromausfällen eingestellt? Drücken Sie auf ON/OFF, um das Gerät auszuschalten.
Die Klimaanlage schaltet sich aus, ohne dass die Taste ON/OFF (EIN/AUS) gedrückt wurde.	<ul style="list-style-type: none"> ■ Ist der Timer zum Ausschalten gesetzt? Drücken Sie auf ON/OFF, um das Gerät wieder einzuschalten. ■ Ist die Klimaanlage an eine zentrale Fernbedienung angeschlossen? Wenden Sie sich an die betreffenden Personen, die die Klimaanlage steuern. ■ Erscheint "☒" im Display der Fernbedienung? Wenden Sie sich an die betreffenden Personen, die die Klimaanlage steuern.
Timerfunktion der Fernbedienung kann nicht eingestellt werden.	<ul style="list-style-type: none"> ■ Sind die Timereinstellungen unzulässig? Wenn der Timer eingestellt werden kann, erscheint (WEEKLY), (SIMPLE), oder (AUTO OFF) im Display der Fernbedienung.
"PLEASE WAIT" (BITTE WARTEN) erscheint im Display der Fernbedienung.	<ul style="list-style-type: none"> ■ Die anfänglichen Einstellungen werden vorgenommen. Warten Sie etwa 3 Minuten.
Ein Fehlercode erscheint im Display der Fernbedienung.	<ul style="list-style-type: none"> ■ Die Schutzvorrichtungen haben zum Schutz der Klimaanlage eingegriffen. ■ Versuchen Sie nicht, das Gerät selbst zu reparieren. Schalten Sie den Netzschalter sofort aus und wenden Sie sich an Ihren Händler. Teilen Sie dem Händler den Modellnamen und die Informationen mit, die im Display der Fernbedienung angezeigt wurden.
Ablaufendes Wasser oder das Geräusch eines sich drehenden Motors sind zu hören.	<ul style="list-style-type: none"> ■ Wenn der Kühlvorgang stoppt, läuft die Entleerungspumpe und stoppt dann. Warten Sie etwa 3 Minuten.

11. Fehlerbehebung

Probleme?	Hier ist die Lösung. (Gerät arbeitet normal.)												
Es wird mehr Lärm erzeugt als in den technischen Daten angegeben.	<ul style="list-style-type: none"> Der Geräuschpegel im Innenbetrieb wird durch die akustischen Eigenschaften des einzelnen Raumes wie in der nachfolgenden Tabelle aufgeführt beeinflusst und kann höher sein als die Spezifikation, die in einem Raum ohne Hall gemessen wurde. <table border="1"> <thead> <tr> <th></th> <th>Schallschluckende Räume</th> <th>Normale Räume</th> <th>Nicht schallschluckende Räume</th> </tr> </thead> <tbody> <tr> <td>Aufstellbeispiele</td> <td>Sendesaal, Musikraum etc.</td> <td>Empfangszimmer, Hotellobby etc.</td> <td>Büro, Hotelzimmer</td> </tr> <tr> <td>Geräuschpegel</td> <td>3 bis 7 dB</td> <td>6 bis 10 dB</td> <td>9 bis 13 dB</td> </tr> </tbody> </table>		Schallschluckende Räume	Normale Räume	Nicht schallschluckende Räume	Aufstellbeispiele	Sendesaal, Musikraum etc.	Empfangszimmer, Hotellobby etc.	Büro, Hotelzimmer	Geräuschpegel	3 bis 7 dB	6 bis 10 dB	9 bis 13 dB
	Schallschluckende Räume	Normale Räume	Nicht schallschluckende Räume										
Aufstellbeispiele	Sendesaal, Musikraum etc.	Empfangszimmer, Hotellobby etc.	Büro, Hotelzimmer										
Geräuschpegel	3 bis 7 dB	6 bis 10 dB	9 bis 13 dB										
Es wird nichts im Display der Fernbedienung angezeigt, das Display leuchtet nur schwach oder Signale werden vom Innengerät nur empfangen, wenn die Fernbedienung sehr nahe ist.	<ul style="list-style-type: none"> Die Batterien sind schwach. Tauschen Sie die Batterien aus und drücken Sie die Reset-Taste. Wenn auch nach Austausch der Batterien nichts angezeigt wird, stellen Sie sicher, dass die Batterien richtig herum (+, -) eingelegt sind. 												
Die Betriebsanzeige in der Nähe des Empfängers für die schnurlose Fernbedienung am Innengerät blinkt.	<ul style="list-style-type: none"> Die Selbstdiagnosefunktion wurde zum Schutz der Klimaanlage aktiviert. Versuchen Sie nicht, das Gerät selbst zu reparieren. Schalten Sie den Netzschalter sofort aus und wenden Sie sich an Ihren Händler. Teilen Sie dem Händler den Modellnamen mit. 												
Wenn der Heizbetrieb ausgeschaltet ist oder während des Gebläsebetriebs wird aus der Innenanlage in Abständen Warmluft ausgeblasen.	<ul style="list-style-type: none"> Wenn eine andere Innenanlage im Heizbetrieb arbeitet, öffnet und schließt sich das Steuerventil von Zeit zu Zeit zur Aufrechterhaltung der Stabilität des Systems der Klimaanlage. Dieser Vorgang kommt nach einiger Zeit zum Stillstand. * Wenn dadurch die Raumtemperatur in kleinen Räumen usw. in unerwünschter Weise ansteigt, schalten Sie den Betrieb der Innenanlage vorübergehend aus. 												

Verwendungsbereich

Die Betriebstemperaturbereiche für Innen- und Außenanlagen der Baureihe Y, R2, Multi-S sind nachstehend aufgeführt.

⚠ Vorsicht:

Verwendung außerhalb des Temperatur- und Luftfeuchtigkeitsbereiches kann schwere Störungen verursachen.

Betriebsart	Inneneinheit	Außeneinheit		
		PUHY	PURY	PUMY
Kühlen	15 °C bis 24 °C WB	-5 °C bis 46 °C DB	-5 °C bis 46 °C DB	-5 °C bis 46 °C DB
Heizen	15 °C bis 27 °C DB	-20 °C bis 15,5 °C WB	-20 °C bis 15,5 °C WB	-15 °C bis 15 °C WB

Hinweis: Innen- und Außeneinheiten sollten in einem Luftfeuchtigkeitsbereich von 30 bis 80% RH verwendet werden.

⚠ Warnung:

Wenn die Klimaanlage zwar läuft, aber den Raum (je nach Modell) nicht kühlt oder heizt, ziehen Sie bitte Ihren Fachhändler zu Rate, da möglicherweise Kältemittel austritt. Bei der Ausführung von Reparaturarbeiten darauf achten, den Kundendiensttechniker zu fragen, ob Kältemittel austritt oder nicht.

Das Kältemittel, das in die Klimaanlage gefüllt wurde, ist sicher. Kältemittel tritt normalerweise nicht aus. Wenn Kältemittel aber in Innenräumen austritt und mit den Flammen eines Heizgebläses, einer Raumheizung, eines Ofens etc. in Kontakt kommt, entstehen schädliche Substanzen.

12. Technische Daten

Modell		PKFY-P63VKM-E	PKFY-P100VKM-E
Netzanschluss (Spannung <V>/Frequenz)	<Hz>	~N/220-230-240/50, 220/60	
Leistung (Kühlen/Heizen)	<kW>	7,1/8,0	11,2/12,5
Maß (Höhe)	<mm>	365	
Maß (Breite)	<mm>	1170	
Maß (Tiefe)	<mm>	295	
Nettogewicht	<kg>	22	
Gebläseleistung (Niedrig-Hoch)	<m³/min>	16-20	20-25
Geräuschpegel (Niedrig-Hoch)	<dB>	39-43	41-49

Modell		PLFY-P15VCM-E2	PLFY-P20VCM-E2	PLFY-P25VCM-E2	PLFY-P32VCM-E2	PLFY-P40VCM-E2
Netzanschluss (Spannung <V>/Frequenz)	<Hz>	~N/220-230-240/50				
Leistung (Kühlen/Heizen)	<kW>	1,7/1,9	2,2/2,5	2,8/3,2	3,6/4,0	4,5/5,0
Maß (Höhe)	<mm>	208 (20)				
Maß (Breite)	<mm>	570 (650)				
Maß (Tiefe)	<mm>	570 (650)				
Nettogewicht	<kg>	15,5 (3)			17,0 (3)	
Gebläseleistung (Niedrig-Mittel-Hoch)	<m³/min>	8-8,5-9	8-9-10		8-9-11	
Geräuschpegel (Niedrig-Mittel-Hoch)	<dB>	28-30-31	28-31-35	28-31-37	29-33-38	30-34-39

Modell		PCFY-P40VKM-E	PCFY-P63VKM-E	PCFY-P100VKM-E	PCFY-P125VKM-E
Netzanschluss (Spannung <V>/Frequenz)	<Hz>	~N 220-230-240/50, 220/60			
Leistung (Kühlen/Heizen)	<kW>	4,5/5,0	7,1/8,0	11,2/12,5	14,0/16,0
Maß (Höhe)	<mm>	230			
Maß (Breite)	<mm>	960	1280	1600	
Maß (Tiefe)	<mm>	680			
Nettogewicht	<kg>	24	32	36	38
Gebläseleistung (Niedrig-Mittel2-Mittel1-Hoch)	<m³/min>	10-11-12-13	14-15-16-18	21-24-26-28	21-24-27-31
Geräuschpegel (Niedrig-Mittel2-Mittel1-Hoch)	<dB>	29-32-34-36	31-33-35-37	36-38-41-43	36-39-42-44

*1 Kühl-/Heiz-Leistung gibt den Höchstwert beim Betrieb unter folgenden Bedingungen an.

Kühlen: Innen 27 °C DB/19 °C WB, außen 35 °C DB

Heizen: Innen 20 °C DB, außen 7 °C DB/6 °C WB

*2 Die in den Klammern () angegebenen Werte beziehen sich auf das Bedienfeld.

1. Consignes de sécurité.....	42	7. Autres fonctions.....	52
2. Nomenclature.....	43	8. Sélection des fonctions.....	53
3. Configuration d'écran.....	46	9. Fonctionnement d'urgence de la télécommande sans fil.....	57
4. Régler le jour de la semaine et l'heure.....	46	10. Entretien et nettoyage.....	57
5. Fonctionnement.....	46	11. Guide de dépannage.....	59
6. Minuterie.....	49	12. Spécifications techniques.....	61

1. Consignes de sécurité

- ▶ Avant d'installer le climatiseur, lire attentivement toutes les "Consignes de sécurité".
- ▶ Les "Consignes de sécurité" reprennent des points très importants concernant la sécurité. Veillez bien à les suivre.
- ▶ Veuillez consulter ou obtenir la permission votre compagnie d'électricité avant de connecter votre système.

Symboles utilisés dans le texte

⚠ Avertissement:

Précautions à suivre pour éviter tout danger de blessure ou de décès de l'utilisateur.

⚠ Précaution:

Décrit les précautions qui doivent être prises pour éviter d'endommager l'appareil.

Symboles utilisés dans les illustrations

Ⓧ : Indique un élément qui doit être mis à la terre.

Remarque :

Dans le présent manuel d'utilisation, l'expression "Télécommande filaire" fait référence au modèle PAR-21MAA. Pour toute information sur l'autre télécommande, reportez-vous au livret d'instructions fourni dans les boîtes.

⚠ Avertissement:

- Ces appareils ne sont pas accessibles au grand public.
- Cet appareil ne doit pas être installé par l'utilisateur. Demander au revendeur ou à une société agréée de l'installer. Si l'appareil n'est pas correctement installé il peut y avoir un risque de fuite d'eau, d'électrocution ou d'incendie.
- Ne pas marcher sur l'appareil ni y déposer des objets.
- Ne jamais éclabousser l'appareil ni le toucher avec des mains humides. Il pourrait en résulter un risque d'électrocution.
- Ne pas vaporiser de gaz inflammable à proximité de l'appareil sous risque d'incendie.
- Ne pas placer de chauffage au gaz ou tout autre appareil fonctionnant avec une flamme vive là où il serait exposé à l'échappement d'air du climatiseur. Cela risquerait de provoquer une mauvaise combustion.
- Ne pas retirer la face avant ou la protection du ventilateur de l'appareil extérieur pendant son fonctionnement.
- Ne jamais réparer ou déménager personnellement l'appareil.
- Si vous remarquez des vibrations ou des bruits particulièrement anormaux, arrêter l'appareil, éteindre l'interrupteur et prendre contact avec le revendeur.
- Ne jamais mettre des doigts, des bâtons, etc. dans les admissions et sorties d'air.
- Si vous sentez des odeurs étranges, arrêter l'appareil, le mettre hors tension et contacter le revendeur. Si vous ne procédez pas de cette façon, il pourrait y avoir risque de panne, d'électrocution ou d'incendie.

⚠ Précaution:

- Ne pas utiliser d'objet pointu pour enfoncer les boutons car cela risquerait d'endommager la commande à distance.
- Ne jamais obstruer les admissions et sorties d'air des appareils extérieurs et intérieurs.
- Ne jamais nettoyer la télécommande avec du benzène, un chiffon imbibé de diluant, etc.
- Ne laissez pas l'appareil fonctionner pendant une période prolongée dans des conditions humides, par ex. avec une porte ou une fenêtre ouverte. En mode de refroidissement, si l'appareil fonctionne longtemps dans une pièce humide (RH de 80 % ou plus), l'eau condensée à l'intérieur du climatiseur risque de tacher ou d'abîmer les meubles, etc.

- Ne JAMAIS laisser des enfants ou des personnes handicapées utiliser le climatiseur sans surveillance.
- Toujours surveiller que les jeunes enfants ne jouent pas avec le climatiseur.
- Si le gaz de réfrigérant fuit, arrêter le fonctionnement du climatiseur, aérer convenablement la pièce et prendre contact avec le revendeur.
- Cet appareil ne doit pas être utilisé par les personnes (y compris les enfants) ayant des capacités physiques, sensorielles ou mentales réduites ou qui sont dépourvues d'expérience ou de connaissance, à moins qu'elles n'aient reçu une supervision ou des instructions sur l'utilisation de l'appareil de la part d'une personne répondant de leur sécurité.
- Lors de l'installation, du déplacement ou de l'entretien du climatiseur, n'utilisez que le réfrigérant spécifié (R410A) pour remplir les tuyaux de réfrigérant. Ne pas le mélanger avec un autre réfrigérant et faire le vide d'air dans les tuyaux.
Si du réfrigérant est mélangé avec de l'air, cela peut provoquer des pointes de pression dans les tuyaux de réfrigérant et entraîner une explosion et d'autres risques. L'utilisation d'un réfrigérant différent de celui spécifié pour le climatiseur peut entraîner des défaillances mécaniques, des dysfonctionnements du système ou une panne de l'appareil. Dans le pire des cas, cela peut entraîner un obstacle à la mise en sécurité du produit.

- Ne touchez ni l'ailette de sortie d'air supérieure ni le registre de sortie d'air inférieure pendant le fonctionnement de l'appareil. De la condensation risquerait de se former et l'appareil pourrait s'arrêter de fonctionner.

Rangement de l'appareil

Lorsque vous devez ranger l'appareil, veuillez consulter votre revendeur.

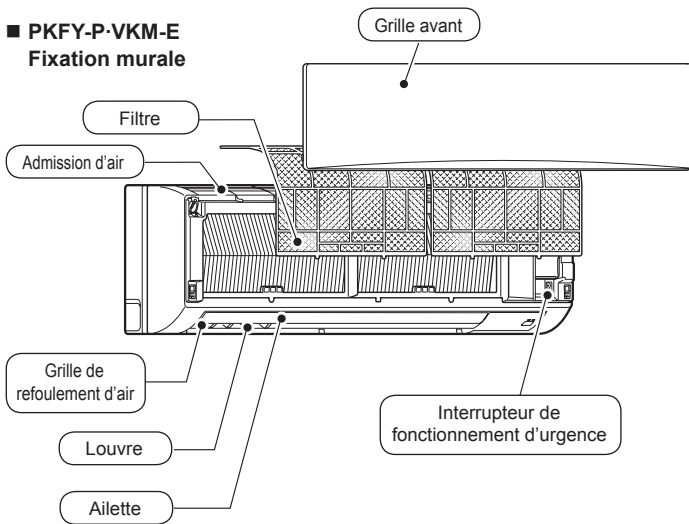
2. Nomenclature

■ Unité interne

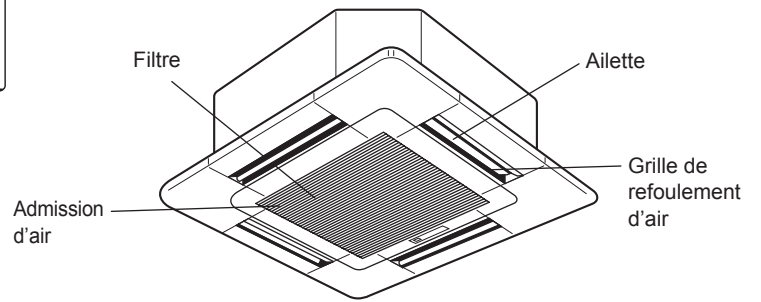
		PKFY-P-VKM-E	PLFY-P-VCM-E2	PCFY-P-VKM-E
Vitesse du ventilateur		2 Vitesses	3 Vitesses	4 Vitesses + Auto*
Ailette	Étapes	4 étapes	4 étapes	5 étapes
	Variation auto	○	○	○
Louvre		Manuel	—	Manuel
Filtre		Normal	Longue durée	Longue durée
Témoin de nettoyage du filtre		100 heures	2.500 heures	2.500 heures

* Cette opération n'est possible qu'à l'aide de la télécommande qui permet de régler la vitesse du ventilateur sur "Auto".

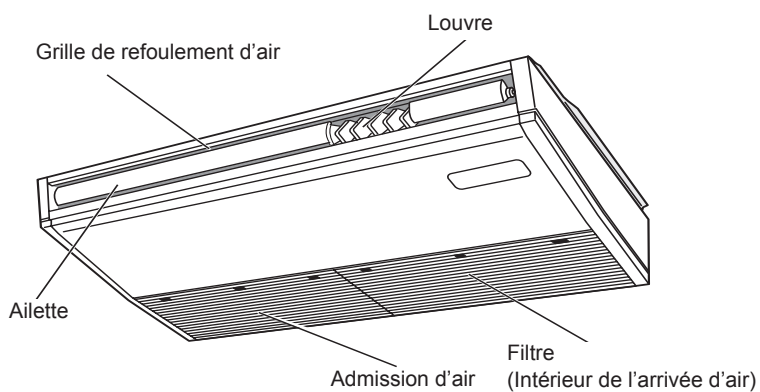
■ PKFY-P-VKM-E Fixation murale



■ PLY-P-VCM-E2 Plafonnier à Casette 4 volets



■ PCFY-P-VKM-E Suspendu au Plafond



2. Nomenclature

■ Pour la télécommande à fil (pièce en option)

Section de l'affichage

Pour cette explication, toutes les parties de l'affichage sont montrées allumées. Lors du fonctionnement réel, seuls les éléments correspondants seront allumés.

Indique l'opération en cours

Montre le mode de fonctionnement, etc.
* les affichages peuvent être en plusieurs langues.

Témoin "Commande centrale"

Indique que le fonctionnement de la commande à distance a été désactivée par une commande maîtresse.

Témoin "Programmeur éteint"

Indique que le programmeur est éteint.

Réglage de température

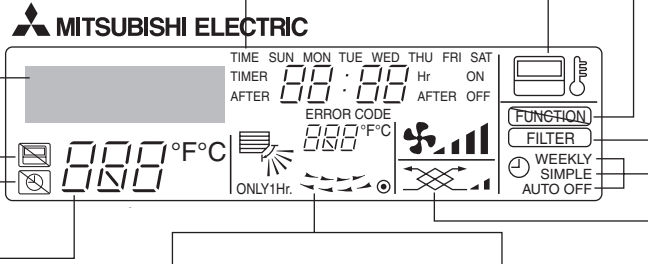
Indique la température souhaitée.

Jour de la semaine

Indique le jour de la semaine.

Affichage heure/programmeur

Affiche l'heure, à moins que le programmeur simple ou arrêt auto soit activé. Si le programmeur simple ou arrêt auto est en activé, l'affichage indique le temps restant.



Témoin de direction du flux d'air vertical

Ce témoin \ indique dans quelle direction souffle l'air sortant.

Témoin "une heure seulement"

Il s'affiche si le courant d'air est réglé sur faible et descendant, lors des modes FROID ou DESHU. (L'opération varie en fonction du modèle.)
Le témoin s'éteint au bout d'une heure, et à ce moment-là la direction du flux d'air change aussi.

Affichage de température ambiante

Donne la température ambiante. La plage d'affichage de la température de la pièce est comprise entre 8-39 °C. L'affichage clignote si la température descend au-dessous de 8 °C ou monte au-dessus de 39 °C.

Affichage du louver

Montre l'action de la grille de transfert. N'apparaît pas si la grille reste stationnaire.

● (Témoin de marche)

Indique que l'appareil est en marche.

Témoin "Capteur"

S'affiche lors de l'utilisation du capteur de la télécommande.

Indicateur "Fonction de blocage"

Indique que les boutons de la commande à distance ont été bloqués.

Témoin "Nettoyer le filtre"

S'allume quand il est temps de nettoyer le filtre.

Témoins du programmeur

Ce témoin s'allume quand le programmeur correspondant est en fonction.

Témoin de vitesse du ventilateur

Montre la vitesse sélectionnée pour le ventilateur.

Témoin de ventilation

Apparaît quand l'unité fonctionne en mode Ventilation.

Section de commandes

Boutons de réglage de température

- ▽ Baisser
- △ Monter

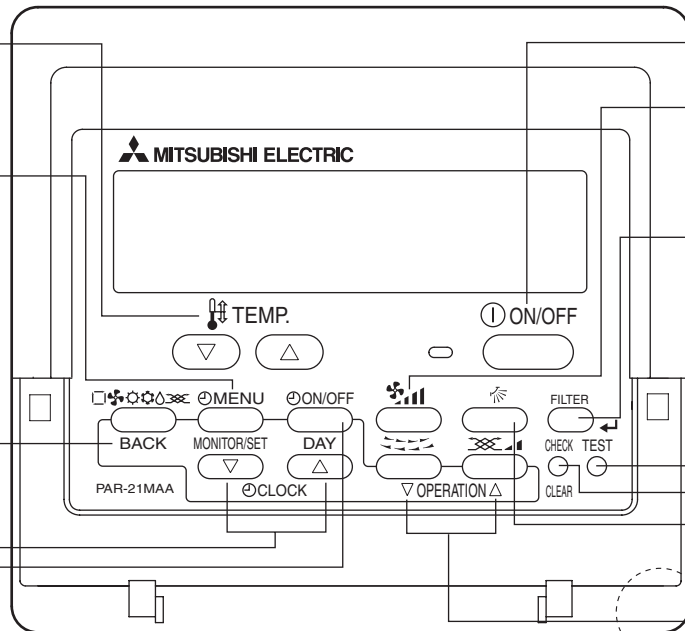
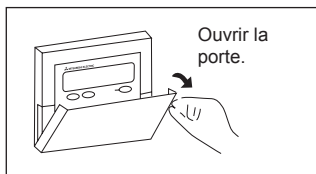
Bouton de menu du programmeur (Bouton de contrôle/réglage minuterie)

Bouton de mode de fonctionnement (Bouton d'entrée)

Boutons de réglage horaire

- ▽ Reculer
- △ Avancer

Bouton marche/arrêt du programmeur (Bouton de réglage de la date)



Bouton ON/OFF

Bouton de vitesse du ventilateur

Bouton du filtre (Bouton ←)

Bouton de test de fonctionnement

Bouton Check (Bouton d'effacement)

Bouton de direction du flux d'air vertical

Bouton de louver (Bouton opération ▽)

▽ pour la précédente opération

Bouton de ventilation (Bouton opération △)

△ pour l'opération suivante

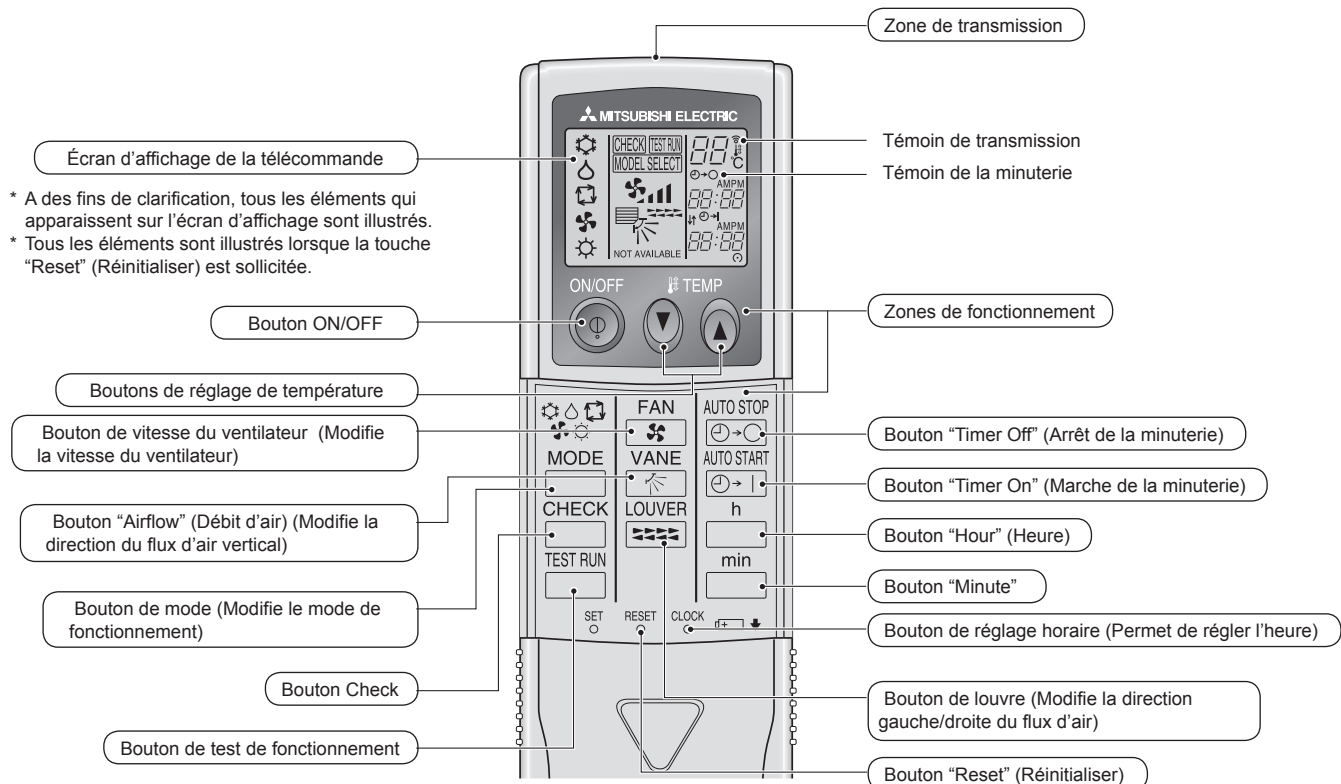
Capteur de température intégré

Remarque :

- Message "PLEASE WAIT" (VEUILLEZ PATIENTER)
Ce message s'affiche pendant 3 minutes environ lorsque l'appareil intérieur est alimenté.
- Ecran clignotant affichant le mode de fonctionnement
Lorsque plusieurs appareils intérieurs sont connectés à un seul appareil extérieur et que le mode de fonctionnement sélectionné pour un appareil intérieur ne correspond pas à celui d'un autre appareil intérieur, l'écran affichant le mode de fonctionnement clignote. Sélectionnez le même mode de fonctionnement pour tous les appareils intérieurs.
- Message "NOT AVAILABLE" (INDISPONIBLE)
Ce message s'affiche quand vous appuyez sur une touche pour lancer une fonction qui est indisponible pour cet appareil intérieur. Si une télécommande unique est utilisée pour contrôler simultanément plusieurs appareils intérieurs de modèle différent, ce message ne s'affichera pas si l'un des appareils intérieurs présente cette fonction.
- Affichage de la température de la pièce
Les capteurs de température de l'appareil intérieur ou le capteur de température de la télécommande peuvent être sélectionnés dans le cadre de la mesure de la température de la pièce. Les capteurs de température de l'appareil intérieur disposent du paramétrage initial. Lorsque les capteurs de température de l'appareil intérieur sont sélectionnés pour mesurer la température de la pièce, la température mesurée au niveau de l'appareil intérieur principal s'affiche sur la télécommande utilisée pour faire fonctionner les différents appareils intérieurs.

2. Nomenclature

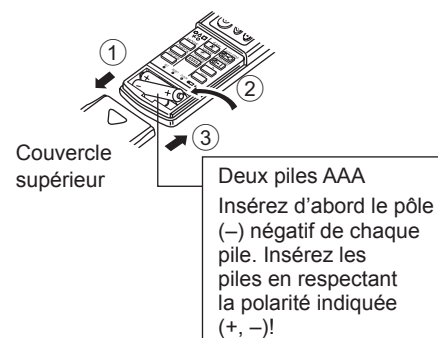
■ Pour la télécommande sans fil (pièce en option)



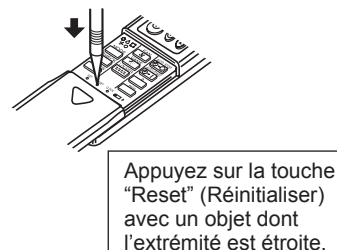
- Pour utiliser la télécommande sans fil, pointez-la vers le récepteur de l'appareil intérieur.
- Si la télécommande est utilisée dans les 2 minutes qui suivent l'alimentation de l'appareil intérieur, l'appareil peut émettre deux bips successifs indiquant que le contrôle automatique initial est en cours.
- L'appareil intérieur émet des bips pour confirmer que le signal transmis par la télécommande a été reçu. Les signaux peuvent être reçus jusqu'à 7 mètres environ en ligne droite à partir de l'appareil intérieur et dans une zone de 45° vers la gauche ou la droite de l'appareil. Cependant, une lumière vive ou fluorescente peut gêner la réception de signaux de l'appareil intérieur.
- Si le témoin de fonctionnement situé près du récepteur de l'appareil intérieur clignote, ceci signifie que l'appareil doit être inspecté. Consultez votre revendeur pour connaître les modalités d'entretien.
- Manipulez la télécommande avec précaution ! Ne la faites pas tomber et ne lui infligez pas de chocs violents. De plus, évitez de mouiller la télécommande et ne la laissez pas dans un endroit humide.
- Pour éviter de chercher la télécommande, placez le support fourni avec la télécommande sur un mur et veillez à replacer la télécommande dans le support après chaque utilisation.

Insertion/remplacement de la pile

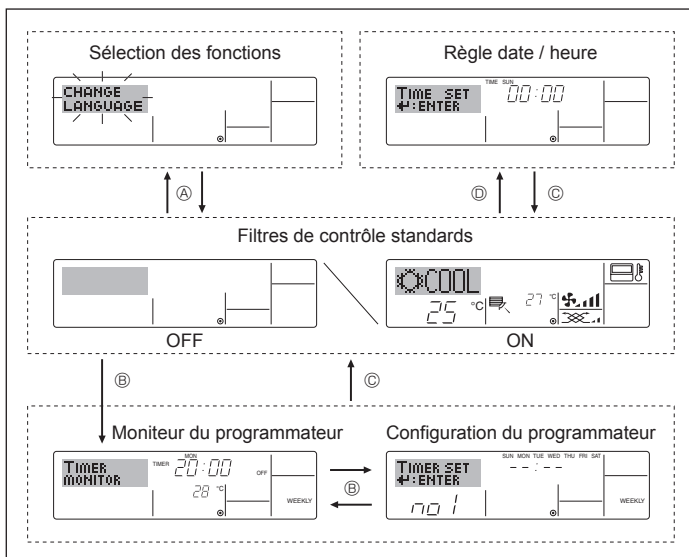
1. Retirez le couvercle supérieur, insérez deux piles AAA, puis reposez le couvercle.



2. Appuyez sur la touche "Reset" (Réinitialiser).



3. Configuration d'écran



<Types d'écrans>

Le paramétrage de la langue d'affichage peut être modifié pour que le français devienne la langue par défaut en sélectionnant la fonction appropriée sur la télécommande. Voyez la section 8, paragraphe [4]-1 pour modifier la langue.

La langue de base est l'Anglais.

● Sélection des fonctions :

Règle les fonctions et les plages disponibles pour la télécommande (fonctions du programmeur, restrictions de fonctionnement, etc.)

● Régler date / heure :

Règle le jour de la semaine et l'heure.

● Écrans de contrôle standards :

Visualise et règle le fonctionnement du système de conditionnement.

● Moniteur du programmeur :

Affiche le programmeur en place (hebdomadaire, simple ou arrêt automatique)

● Configuration du programmeur :

Règle le fonctionnement des programmeurs (hebdomadaire, simple ou arrêt automatique)

<Comment changer d'écran>

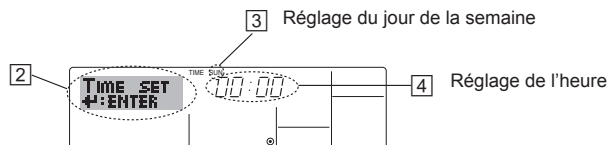
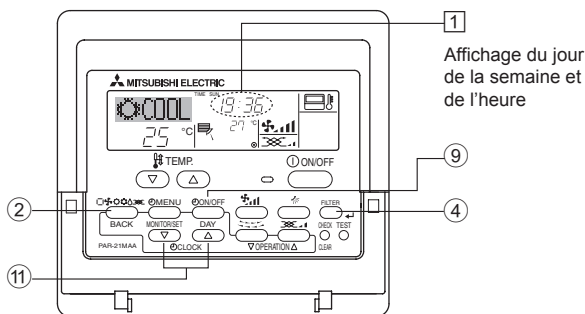
Pour aller à (A) : Appuyez sur les boutons Mode de fonctionnement et On/Off du programmeur durant 2 secondes.

Pour aller à (B) : Appuyez sur le bouton Menu du programmeur.

Pour aller à (C) : Appuyez sur le bouton Mode de fonctionnement (Entrée).

Pour aller à (D) : Appuyez sur l'un ou l'autre des boutons de réglage horaire (▽ ou △).

4. Régler le jour de la semaine et l'heure



1. Appuyez sur le bouton de réglage horaire (▽ ou △) pour appeler l'affichage 2.

2. Appuyez sur le bouton 9 Timer On/Off pour régler le jour.

* À chaque fois que vous appuyez, vous avancez le jour affiché en 3 : Dim → Lun → ... → Ven → Sam.

3. Appuyez sur le bouton de réglage correspondant (▽ ou △) afin de régler l'heure.

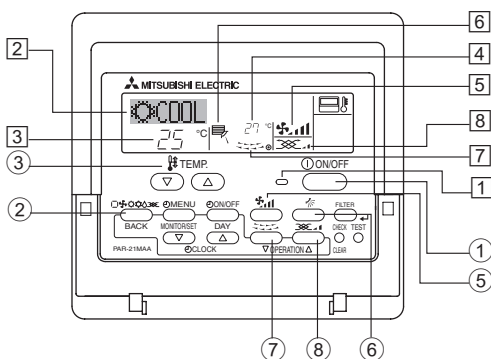
* À chaque fois que vous maintenez le bouton appuyé, l'heure (en 4) augmentera d'abord toutes les minutes, puis toutes les 10 minutes, puis toutes les heures.

4. Après avoir effectué les réglages nécessaires des étapes 2 et 3, appuyez sur le bouton 4 Filter ← pour valider ces informations.

Remarque :

Le jour et l'heure n'apparaîtront pas si l'horloge a été déconnectée dans la sélection des fonctions.

5. Fonctionnement



5.1. MARCHE/ARRÊT

<Pour commencer l'opération>

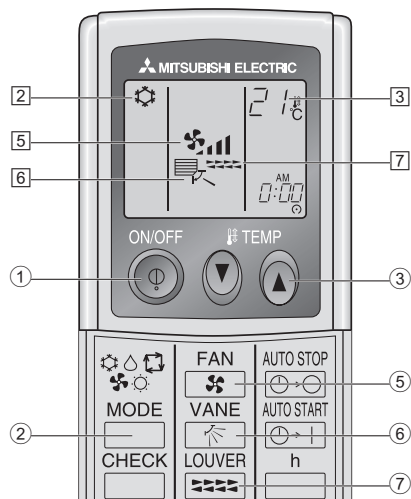
■ Appuyez sur le bouton ON/OFF 1.

• Le témoin de marche 1 et la zone d'affichage s'allument.

Remarque :

● Quand l'unité est relancée, les réglages de base sont les suivants.

Réglages de télécommande			
Mode	Dernier mode de fonctionnement		
Réglage de température	Dernière température réglée		
Vitesse de ventilateur	Dernière vitesse du ventilateur réglée		
Air montant/descendant	Mode	FROID ou DESHU	Dernier réglage
		CHAUD	Dernier réglage
		VENTILATION	Dernier réglage



<Pour arrêter le fonctionnement>

■ Appuyez de nouveau sur le bouton ON/OFF 1.

• Le témoin de marche 1 et la zone d'affichage s'éteignent.

Remarque :

Même si vous appuyez sur le bouton ON/OFF immédiatement après avoir arrêté la fonction en cours, le climatiseur ne se remettra en route que trois minutes plus tard. Ceci est une précaution pour éviter l'endommagement de tout composant interne.

5. Fonctionnement

<Pour arrêter le fonctionnement>

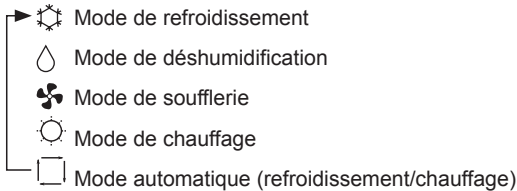
- Appuyez de nouveau sur le bouton ON/OFF ①.
 - Le témoin de marche ② et la zone d'affichage s'éteignent.

Remarque :

Même si vous appuyez sur le bouton ON/OFF immédiatement après avoir arrêté la fonction en cours, le climatiseur ne se remettra en route que trois minutes plus tard. Ceci est une précaution pour éviter l'endommagement de tout composant interne.

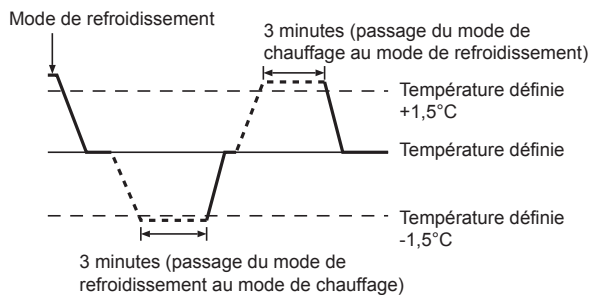
5.2. Sélection du mode de fonctionnement

- Appuyer sur la touche du mode de fonctionnement (☐☐☐☐☐) ② pour sélectionner le mode de fonctionnement souhaité ②.



Fonctionnement automatique

- En fonction de la température définie préalablement, l'opération de refroidissement débutera si la température de la pièce est trop élevée ; à l'inverse, l'opération de chauffage débutera si la température de la pièce est trop basse.
- En mode de fonctionnement automatique, le climatiseur passera en mode de refroidissement si la température de la pièce varie et affiche 1,5 °C ou plus au-dessus de la température définie pendant 3 minutes. De la même façon, le climatiseur passera en mode de chauffage si la température de la pièce affiche 1,5 °C ou plus au-dessous de la température définie pendant 3 minutes.



- La température de la pièce étant ajustée automatiquement de façon à rester stable, l'opération de refroidissement se met en marche à quelques degrés au-dessus, et l'opération de chauffage à quelques degrés au-dessous, de la température définie lorsque cette dernière est atteinte (fonction automatique d'économie d'énergie).

5.3. Réglage de la température

► Pour réduire la température ambiante:

Appuyer sur le bouton (▼) ③ pour sélectionner la température désirée. La température sélectionnée est affichée ③.

► Pour augmenter la température ambiante:

Appuyer sur le bouton (▲) ③ pour sélectionner la température désirée. La température sélectionnée est affichée ③.

- Plages de températures à votre disposition:
 - Refroidissement et déshumidification : 19 - 30 °C
 - Chauffage : 17 - 28 °C
 - Automatique : 19 - 28 °C
- L'affichage clignote sur 8 °C ou 39 °C pour signaler que la température de la pièce est inférieure ou supérieure à la température affichée.

5.4. Réglage de la vitesse du ventilateur

- Appuyez sur le bouton de vitesse du ventilateur ⑤ autant de fois que nécessaire alors que le système est en fonction.
 - À chaque fois que vous appuyez sur le bouton, vous changez la force. La vitesse actuelle est indiquée en ⑤.
 - La séquence de changement, et les réglages disponibles sont les suivants.

VITESSE DE VENTILATION	Affichage
Modèle à 2 vitesses	Vitesse 1 → [icône ventilateur] → Vitesse 2 → [icône ventilateur]
Modèle à 3 vitesses	Vitesse 1 → [icône ventilateur] → Vitesse 2 → [icône ventilateur] → Vitesse 3 → [icône ventilateur]
4 vitesses + Auto*	Vitesse 1 → [icône ventilateur] → Vitesse 2 → [icône ventilateur] → Vitesse 3 → [icône ventilateur] → Vitesse 4 → [icône ventilateur] → Auto → [icône ventilateur]

* Uniquement pour la télécommande MA. Le réglage de vitesse de ventilateur automatique est nécessaire pour la télécommande sans fil.

Remarque :

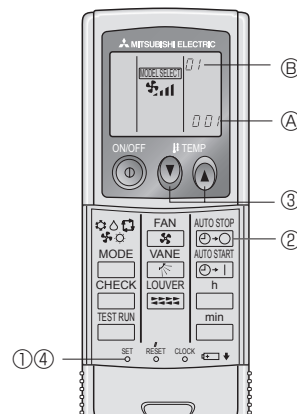
- Le nombre de ventilateurs disponible dépend du type d'unité connectée. Notez aussi que certaines unités ne permettent que le réglage "Auto".
- Dans les cas suivants, la vitesse de ventilation actuelle générée par l'unité différera de la vitesse indiquée au niveau de la commande à distance.
 1. Quand l'affichage indique "ATTENTE" ou "DEGIVRE".
 2. Lorsque la température de l'échangeur thermique est basse en mode de chauffage. (par ex. immédiatement après le lancement de l'opération de chauffage)
 3. En mode CHAUFFAGE, quand la température ambiante dans la pièce est supérieure à la température réglée.
 4. Quand l'unité est en mode DESHU.

- Réglage automatique de la vitesse du ventilateur (pour télécommande sans fil).

Il faut régler la télécommande sans fil uniquement lorsque la vitesse du ventilateur n'est pas automatiquement réglée par défaut.

Il n'est pas nécessaire de régler la vitesse automatique du ventilateur par défaut sur la télécommande avec fil.

- ① Appuyer sur le bouton SET à l'aide d'un objet pointu. Intervenir lorsque l'affichage de la télécommande est éteint. **MODEL SELECT**, clignote et le No de modèle est allumé ④.
 - ② Appuyer sur la touche AUTO STOP (☐) ②. [icône ventilateur], clignote et le No de configuration est allumé ②. (Configuration No 01: sans vitesse automatique du ventilateur)
 - ③ Appuyer sur les touches temp. (▲) (▼) pour régler la configuration No 02. (Configuration No 02: avec vitesse automatique du ventilateur)
- Si l'opération est erronée, appuyer sur la touche ON/OFF (⊕) et recommencer à partir du point ②.
- ④ Appuyer sur le bouton SET à l'aide d'un objet pointu. **MODEL SELECT**, et le No de modèle s'allume pendant 3 secondes, puis s'éteint.



5. Fonctionnement

5.5. Réglage de la direction du flux d'air vertical

<Pour changer la direction flux d'air vertical>

- Quand l'unité est en fonction, appuyez sur le bouton ⑥ de ventilation montante/descendante autant de fois que nécessaire..
 - À chaque fois que vous appuyez sur le bouton, vous changez la direction. La direction actuelle est affichée sur ⑥.
 - La séquence de changement, et les réglages disponibles sont les suivants :

Flux d'air	Affichage
Modèle à 4 étapes	
Modèle à 5 étapes *1	

- * Notez que lors de l'opération de basculement, l'indication directionnelle à l'écran ne change pas en synchronisation avec les ailettes de l'unité.
- * Certains modèles n'acceptent pas les réglages directionnels.
- *1 Uniquement pour la télécommande MA ; l'affichage de l'autre télécommande est similaire au modèle à 4 étapes.
- *2 Réglage de la direction du débit d'air <Auto>
COOL/FAN/DRY : Réglage 1 (Horizontal),
HEAT : Réglage 5 (Vers le bas 5)

Remarque :

- Les directions disponibles dépendent du type d'unités connectées. Notez aussi que certaines unités ne permettent que le réglage "Auto".
- Dans les cas suivants, la direction actuelle de l'air différera de la direction indiquée au niveau de la commande à distance.
 1. Quand l'affichage indique "ATTENTE" ou "DEGIVRE".
 2. Immédiatement après le démarrage du mode CHAUFFAGE (alors que le système attend que le changement de mode se fasse).
 3. En mode chauffage, quand la température ambiante dans la pièce est supérieure à la température réglée.

<[Manuel] Pour changer la direction droite/gauche du flux d'air>

* Le bouton de louvre ⑦ n'est pas utilisable.

■ Modèle PKFY-P-VKM-E

- Arrêtez l'appareil, maintenez le levier du louvre et réglez la direction souhaitée.
- * Ne réglez pas vers l'intérieur lorsque l'appareil est en mode de refroidissement ou de déshumidification du fait du risque de condensation et de suintement.



⚠ Précaution :

Pour éviter les chutes, ayez une position stable lors de l'utilisation de l'appareil.

5.6. Ventilation

► Pour les appareils combinés LOSSNAY

5.6.1. Pour la télécommande à fil

- Pour lancer le ventilateur conjointement à l'unité intérieure :
 - Appuyez sur le bouton ON/OFF ①.
 - Quand l'indication de ventilation apparaît à l'écran (en ⑧). Le ventilateur sera désormais lancé automatiquement à chaque fois que l'unité intérieure démarrera.
- Pour lancer le ventilateur uniquement quand l'unité intérieure est éteinte :
 - Appuyez sur le bouton de ventilation ⑧ quand l'unité intérieure est éteinte.
 - Le témoin ON (en ①) et l'indication de ventilation (en ⑧) s'allument.
- Changer la force du ventilateur :
 - Appuyez sur le bouton de ventilation ⑧ autant que nécessaire.
 - À chaque fois que vous appuyez sur le bouton, vous changez le réglage comme indiqué ci-dessous.



Remarque :

- Dans certaines configurations, le ventilateur de l'unité intérieure peut s'allumer même quand vous demandez au ventilateur de fonctionner indépendamment.

6. Minuterie

6.1. Pour la télécommande à fil

Vous pouvez utiliser la sélection des fonctions pour sélectionner le type de programmeur, entre les trois disponibles. ① Hebdomadaire, ② Simple, ou ③ Arrêt auto.

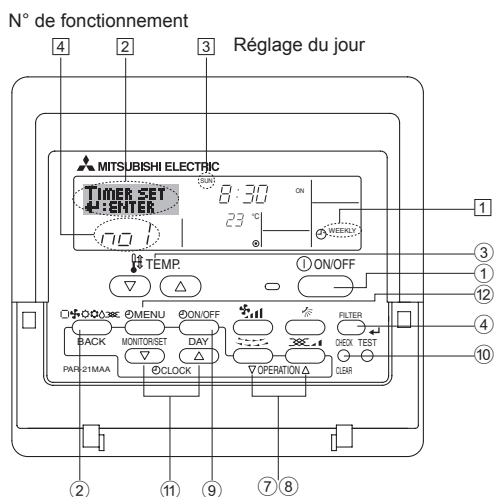
6.1.1. Minuterie hebdomadaire

- Le programmeur hebdomadaire peut servir à régler les huit opérations pour chaque jour de la semaine.
 - Chaque opération permet l'une ou l'autre des fonctions suivantes : Programmeur Marche/Arrêt avec un réglage de température ou programmeur Marche/Arrêt seulement, ou réglage de température seulement.
 - À l'heure dite, le conditionneur d'air effectue l'action programmée.
- La précision horaire de ce programmeur est de 1 minute.

Remarque :

- *1. Les programmeurs hebdomadaire / simple / Arrêt auto ne peuvent être utilisés en même temps.
- *2. Le programmeur hebdomadaire ne fonctionne pas dans les conditions suivantes.

La fonction de temporisateur est désactivée ; le système est dans un état anormal ; une exécution de test est en cours ; la télécommande est soumise à un auto-diagnostic ou à un diagnostic externe ; l'utilisateur est en train de définir une fonction ; l'utilisateur est en train de régler l'heure ou le jour de la semaine ; le système est sous commande centralisée. (Précisément, le système n'exécute pas les opérations (allumage, extinction ou réglage de la température) désactivées dans ces situations.)



<Comment régler le programmeur hebdomadaire>

- Assurez-vous que vous êtes sur l'écran de contrôle standard, et que le témoin du programmeur hebdomadaire ① s'affiche.
- Appuyez sur le bouton Menu du programmeur ②, de manière à ce que le "Réglage" apparaisse à l'écran (en ②). (Notez qu'à chaque fois que vous appuyez sur le bouton, vous passez de "Réglage" à "Moniteur" (moniteur).)
- Appuyez sur le bouton On/Off du programmeur ③ pour régler le jour. À chaque fois que vous appuyez, vous changez le réglage en ③, selon la séquence suivante : "Dim Lun Mar Mer Jeu Ven Sam" → "Dim" → ... → "Ven" → "Sam" → "Dim Lun Mar Mer Jeu Ven Sam"...
- Appuyez sur le bouton (⑦ ou ⑧) d'opération ∇ ou ∆ autant de fois que nécessaire pour sélectionner le numéro d'opération approprié (1 à 8) ④.
 - * Vos choix aux étapes 3 et 4 sélectionneront l'une des cellules de la matrice affichée ci-dessous. (L'affichage de la commande à distance à gauche montre comment l'affichage devrait apparaître lors du réglage de l'opération 1 pour dimanche aux valeurs indiquées ci-dessous.)

Matrice de réglage

N ° d'op.	Dimanche	Lundi	...	Samedi
N ° 1	• 8:30 • MARCHE • 23 °C			
N ° 2	• 10:00 • ARRET	• 10:00 • ARRET	• 10:00 • ARRET	• 10:00 • ARRET
...				
N ° 8				

<Réglage de l'opération 1 pour dimanche>
Démarrer le conditionneur d'air à 8:30, avec la température à 23 °C.

<Réglage de l'opération 2 pour tous les jours>
Éteindre le conditionneur d'air à 10:00.

Remarque :

En réglant le jour sur "Dim Lun Mar Mer Jeu Ven Sam", vous pouvez régler la même opération à effectuer au même moment tous les jours.

(Exemple : L'opération 2 ci-dessus, qui est la même pour tous les jours de la semaine.)

<Régler le programmeur hebdomadaire>

Affiche le réglage de l'heure ⑤ ⑥ Affiche l'opération choisie (Marche ou Arrêt)
* N'apparaît pas si l'opération n'est pas réglée.



- Appuyez sur le bouton de réglage de l'heure ⑤ approprié autant de fois que nécessaire pour régler l'heure choisie (en ⑤).
 - * Quand vous maintenez le bouton appuyé, l'heure augmentera d'abord toutes les minutes, puis toutes les 10 minutes, puis toutes les heures.
- Appuyez sur le bouton ON/OFF ① pour sélectionner l'opération choisie (Marche ou Arrêt : marche ou arrêt), en ⑥.
 - * À chaque fois que vous appuyez vous passez au réglage suivant, selon la séquence suivante : aucun affichage (pas de réglage) → "MARCHE" → "ARRET"

6. Minuterie

- Appuyez sur le bouton de réglage de température ③ approprié pour régler la température choisie (en 7).
 - * À chaque fois que vous appuyez vous changez le réglage, selon la séquence suivante : aucun affichage (pas de réglage) ⇔ 24 ⇔ 25 ⇔ ... ⇔ 29 ⇔ 30 ⇔ 12 ⇔ ... ⇔ 23 ⇔ pas d'affichage. (Plage disponible : La plage disponible pour ce réglage va de 12 °C à 30 °C. La plage réelle au-delà de laquelle la température peut être contrôlée, toutefois, peut changer en fonction du type d'unité connectée.)
- Après avoir effectué les réglages nécessaires des étapes 5, 6 et 7, appuyez sur le bouton ④ Filter ← pour valider ces informations. pour effacer les valeurs actuelles de l'opération choisie, appuyez et relâchez rapidement le bouton ⑩ Check (Clear) une fois.
 - * Le réglage du temps affiché devient "—:—", et les réglages de température et On/Off s'éteignent tous. (Pour effacer tous les réglages du programmeur hebdomadaire d'un coup, appuyez sur le bouton ⑩ Check (Clear) pendant 2 secondes ou plus. L'affichage commencera à clignoter, ce qui indiquera que tous les réglages ont été effacés.)

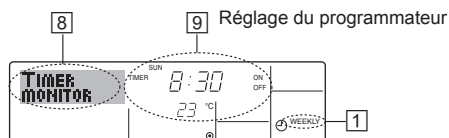
Remarque :

Vos nouvelles informations seront effacées si vous appuyez sur le bouton ② Mode de fonctionnement (Entrée) avant d'appuyer sur le bouton ④ Filter ←.

Si vous avez réglé deux opérations différentes ou plus pour le même temps exactement, seule l'opération ayant le n° le plus élevé sera effectuée.

- Répétez les étapes 3 à 8 autant de fois que nécessaire pour remplir les cellules disponibles que vous souhaitez.
- Appuyez sur le bouton ② Mode de fonctionnement (Retour) pour revenir à l'écran de contrôle standard et terminer la procédure de réglage.
- Pour activer le programmeur, appuyez sur le bouton Timer On/Off (programmeur Marche/arrêt) ⑨, de manière à ce que l'indication "Timer Off" (arrêt programmeur) disparaisse de l'écran. **Veillez à ce que l'indication "Timer Off" ne s'affiche plus.**
 - * Si le programmeur n'est pas réglé, l'indication "arrêt programmeur" clignote à l'écran.

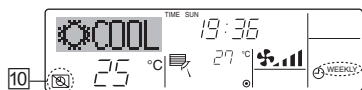
<Comment visualiser les réglages du programmeur hebdomadaire>



- Assurez-vous que l'indication du programmeur hebdomadaire apparaisse à l'écran (en 1).
- Appuyez sur le bouton Menu du programmeur ② de manière à ce que l'écran affiche "Moniteur" (en 8).
- Appuyez sur le bouton Marche/Arrêt du programmeur ⑨ tant qu'il faut pour choisir le jour.
- Appuyez sur le bouton ⑦ ou ⑧ d'opération ∇ ou Δ autant que nécessaire pour changer l'opération du programmeur à l'affichage (en 9).
 - * À chaque fois que vous appuyez, vous passez à l'opération du programmeur suivante, dans l'ordre du réglage horaire.
- Pour fermer le moniteur et retourner à l'écran de contrôle standard, appuyez sur le bouton Mode de fonctionnement (Entrée) ②.

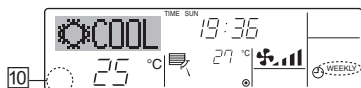
<Pour éteindre le programmeur hebdomadaire>

Appuyez sur le bouton Marche/Arrêt du programmeur ⑨, de manière à ce que l'indication "arrêt programmeur" apparaisse en 10.



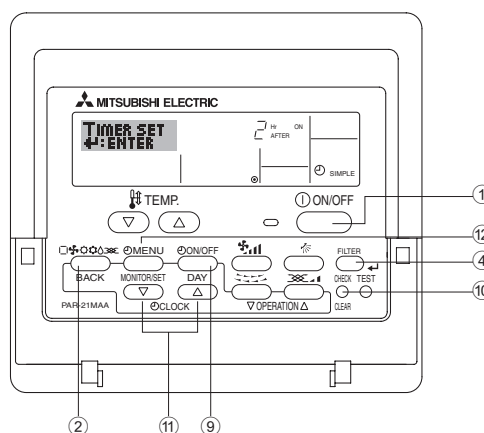
<Pour allumer le programmeur hebdomadaire>

Appuyez sur le bouton Marche/Arrêt du programmeur ⑨, de manière à ce que l'indication "arrêt programmeur" s'éteigne en 10.

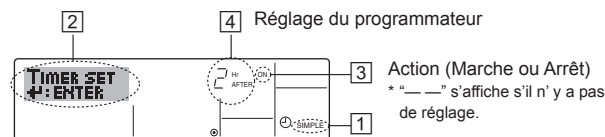


6.1.2. Minuterie simple

- Vous pouvez régler le programmeur simple de trois manières possible.
 - Heure de démarrage uniquement : Le conditionneur d'air démarre quand le temps indiqué s'est écoulé.
 - Heure d'arrêt uniquement : Le conditionneur d'air s'arrête quand le temps indiqué s'est écoulé.
 - Horaires de marche & d'arrêt : Le conditionneur d'air démarre et s'arrête quand les temps indiqués se sont écoulés.
 - Le programmeur simple (démarrage et arrêt) peut être régler une fois seulement sur une période de 72 heures. Le réglage se fait heure par heure.
- Remarque :
- Les programmeurs hebdomadaire / simple / Arrêt auto ne peuvent être utilisés en même temps.
 - Le programmeur simple n'opérera pas dans les cas suivants. La fonction programmeur est éteinte ; anomalie du système ; un test est en cours ; la commande à distance effectue un auto-test ou un diagnostic ; l'utilisateur est en train de sélectionner une fonction ; l'utilisateur est en train de régler le programmeur ; le système est sous contrôle central. (Dans ces conditions, l'opération Marche/Arrêt est désactivée.)



<Comment régler le programmeur simple>



- Assurez-vous que vous êtes sur un écran de contrôle standard, et que le témoin du programmeur simple s'affiche (en 1). Lorsque qu'une fonction autre que le temporisateur simple est affichée, réglez la télécommande sur SIMPLE TIMER en utilisant le paramètre de fonction temporisateur de la sélection des fonctions (voir 8.[4]-3 (3)).
- Appuyez sur le bouton Menu ②, de manière à ce que le "Réglage" apparaisse à l'écran (en 2). (Notez qu'à chaque fois que vous appuyez sur le bouton, vous passez de "Réglage" à "Moniteur".)
- Appuyez sur le bouton ON/OFF ① pour afficher le réglage du programmeur simple (Marche ou Arrêt : marche ou arrêt). Appuyez une fois sur le bouton pour afficher le temps restant sur Marche, et une fois encore pour afficher le temps restant sur Arrêt (l'indication Marche/Arrêt apparaît en 3) :
 - Programmeur "Marche" : Le conditionneur d'air démarre quand le nombre d'heures indiqué s'est écoulé.
 - Programmeur "Arrêt" : Le conditionneur d'air s'arrête quand le nombre d'heures indiqué s'est écoulé.
- Avec l'indication "Marche" ou "Arrêt" en 3: Appuyez sur le bouton de réglage d'heure ③ approprié autant de fois que nécessaire pour régler l'heure sur Marche (si "Marche" s'affiche) ou sur Arrêt (si "Arrêt" s'affiche en 4).
 - Plage disponible : 1 à 72 heures
- Pour régler à la fois pour Marche et pour Arrêt, répéter les étapes 3 et 4.
 - * Notez que les temps pour Marche et Arrêt ne peuvent avoir la même valeur.
- Pour effacer le réglage Marche ou Arrêt actuel : Afficher le réglage Marche ou Arrêt (voir étape 3) puis appuyez sur le bouton Check (Clear) ⑩ de manière à ce que le réglage passe à "—" en 4. (Si vous souhaitez utiliser un réglage Marche ou Arrêt uniquement, assurez-vous que le réglage dont vous ne voulez pas est bien sur "—".)

6. Minuterie

7. Après avoir effectué les étapes 3 à 6, appuyez sur le bouton ④ Filter ← pour valider ces informations.

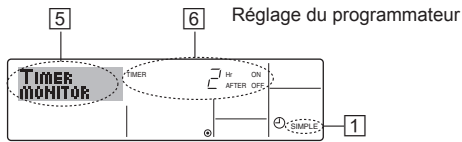
Remarque :

Vos nouvelles informations seront effacées si vous appuyez sur le bouton ② Mode de fonctionnement (Entrée) avant d'appuyer sur le bouton ④ Filter ←.

8. Appuyez sur le bouton ② Mode de fonctionnement (Entrée) pour retourner à l'écran de contrôle standard.

9. Appuyez sur le bouton Marche/Arrêt du programmeur ⑨ pour lancer le compte à rebours. Pendant que le programme s'exécute, l'affichage indique l'état du programmeur. **Veillez à ce que la valeur du programmeur soit visible et convenable.**

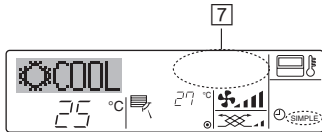
<Afficher les réglages actuels du programmeur simple>



1. Assurez-vous que l'indication du programmeur simple apparaisse à l'écran (sur ①).
2. Appuyez sur le bouton Menu ②, de manière à ce que le "Moniteur" apparaisse à l'écran (en ⑤).
 - Si le programmeur simple Marche ou Arrêt est en fonction, son état actuel apparaîtra en ⑥.
 - Si les valeurs Marche et Arrêt ont été réglées toutes les deux, les deux valeurs apparaîtront alternativement.
3. Appuyez sur le bouton ② Mode de fonctionnement (Entrée) pour fermer le moniteur et retourner à l'écran de contrôle standard.

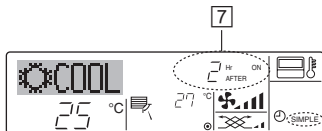
<Pour éteindre le programmeur simple...>

Appuyez sur le bouton Marche/Arrêt du programmeur ⑨, de manière à ce que le réglage du programmeur n'apparaisse plus à l'écran (en ⑦).



<Pour lancer le programmeur simple...>

Appuyez sur le bouton Marche/Arrêt du programmeur ⑨, de manière à ce que le réglage du programmeur apparaisse en ⑦.

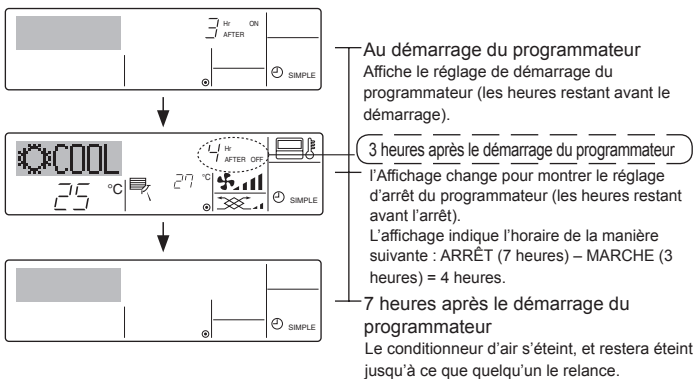


Exemples

Si les horaires de marche et d'arrêt ont été réglés pour le programmeur simple, l'opération et l'affichage sont comme indiqués comme ci-dessous.

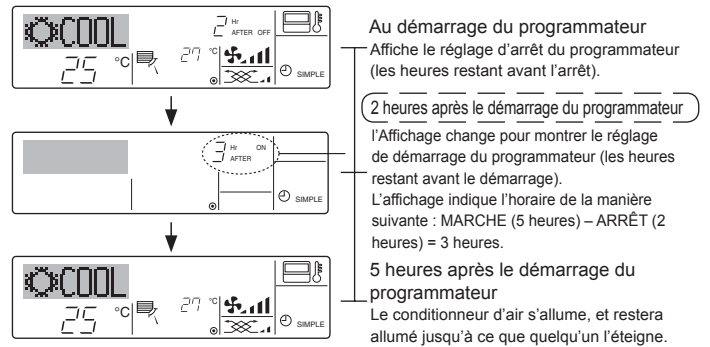
Exemple 1 :

Démarrer le programmeur, avec l'heure de démarrage avant l'heure d'arrêt
 Réglage Marche : 3 heures
 Réglage Arrêt : 7 heures



Exemple 2 :

Démarrer le programmeur, avec l'heure d'arrêt avant l'heure de démarrage
 Réglage Marche : 5 heures
 Réglage Arrêt : 2 heures



6.1.3. Minuterie "Auto Off" (Arrêt auto)

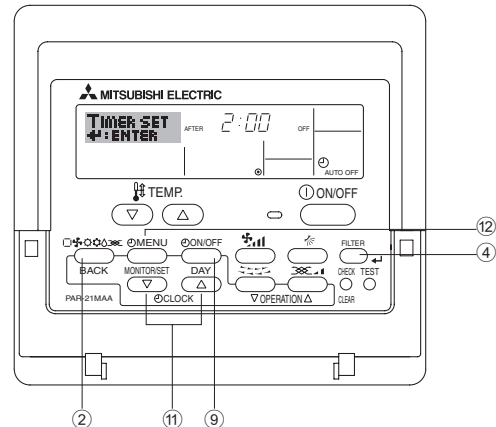
- Ce programmeur commence le compte à rebours au démarrage du conditionneur d'air, et éteint le conditionneur quand le temps indiqué s'est écoulé.
- les réglages possibles vont de 30 minutes à 4 heures, par tranches de 30 minutes.

Remarque :

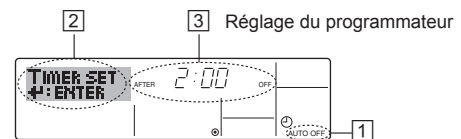
*1. Les programmeurs hebdomadaire / simple / Arrêt auto ne peuvent être utilisés en même temps.

*2. Le programmeur Arrêt Auto n'opérera pas quand l'une des conditions suivantes est en fonction.

La fonction programmeur est éteinte ; anomalie du système ; un test est en cours ; la commande à distance effectue un auto-test ou un diagnostic ; l'utilisateur est en train de sélectionner une fonction ; l'utilisateur est en train de régler le programmeur ; le système est sous contrôle central. (Sous ces conditions, l'opération Marche/Arrêt est désactivée.)



<Comment régler le programmeur Arrêt Auto>



1. Assurez-vous que vous êtes sur un écran de contrôle standard, et que le témoin du programmeur Arrêt Auto s'affiche (en ①).
Lorsque qu'une fonction autre que le temporisateur sur EXTINCTION automatique est affichée, réglez la télécommande sur AUTO OFF TIMER en utilisant le paramètre de fonction temporisateur de la sélection des fonctions (voir 8.[4]-3 (3)).
2. Appuyez sur le bouton Menu du programmeur ② pendant 3 secondes, de manière à ce que le "Réglage" apparaisse à l'écran (en ②). (Notez qu'à chaque fois que vous appuyez sur le bouton, vous passez de "Réglage" à "Moniteur".)
3. Appuyez sur le bouton de réglage d'heure ⑪ approprié autant de fois que nécessaire pour régler l'heure d'arrêt (en ③).
4. Appuyez sur le bouton ④ Filter ← pour enregistrer le réglage.

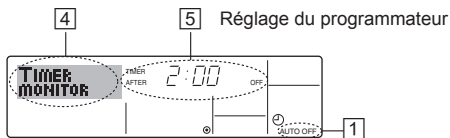
Remarque :

Vos informations seront effacées si vous appuyez sur le bouton ② Mode de fonctionnement (Entrée) avant d'appuyer sur le bouton ④ Filter ←.

5. Appuyez sur le bouton ② Mode de fonctionnement (Entrée) pour terminer la procédure de réglage et retourner à l'écran de contrôle standard.
6. Si le conditionneur d'air est déjà en fonction, le programmeur démarre le compte à rebours immédiatement. **Veillez à vérifier que le réglage du programmeur apparaisse correctement à l'écran.**

6. Minuterie

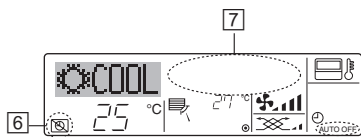
<Vérifier le réglage actuel du programmeur Arrêt Auto>



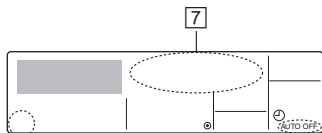
1. Assurez-vous que l'indication "Arrêt Auto" apparaisse à l'écran (sur ❶).
2. Appuyez sur le bouton Menu du programmeur ❷ pendant **3 secondes**, de manière à ce que "Moniteur" apparaisse à l'écran (en ❸).
 - Le temps restant avant l'extinction apparaît en ❹.
3. Pour fermer le moniteur et retourner à l'écran de contrôle standard, appuyez sur le bouton Mode de fonctionnement (Entrée) ❸.

<Pour éteindre le programmeur Arrêt Auto...>

- Appuyez sur le bouton Marche/Arrêt du programmeur ❹ pendant **3 secondes**, de manière à ce que l'indication "Arrêt programmeur" apparaisse en ❺ et que la valeur du programmeur (en ❻) disparaisse.

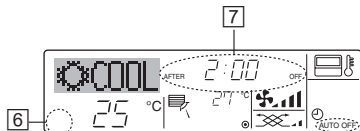


- Sinon, il est possible d'éteindre le conditionneur d'air lui-même. La valeur du programmeur (en ❻) disparaîtra de l'écran.



<Pour démarrer le programmeur Arrêt Auto...>

- Appuyez sur le bouton Marche/Arrêt du programmeur ❹ pendant **3 secondes**. L'indication "Arrêt programmeur" disparaît (en ❻), et le réglage du programmeur apparaît (en ❼).
- Sinon, il est possible d'allumer le conditionneur d'air lui-même. La valeur du programmeur apparaît en ❼.



7. Autres fonctions

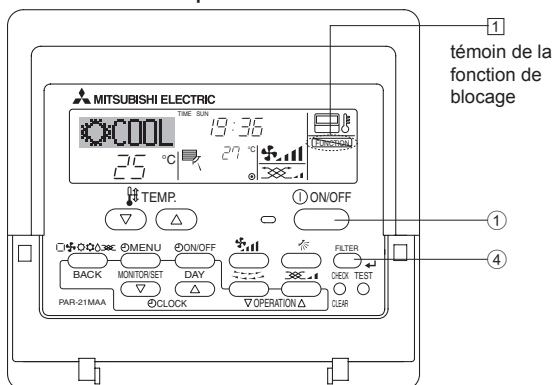
7.1. Verrouiller les boutons de la télécommande (limite de fonctionnement d'opération)

- Vous pouvez verrouiller les boutons de la télécommande si vous le souhaitez. Vous pouvez utiliser la sélection de fonction de la télécommande pour sélectionner le type de fonction de blocage. (Pour de plus amples informations sur comment sélectionner ce verrouillage, voyez la section 8, paragraphe [4]-2 (1).) Vous pouvez utiliser spécifiquement l'une ou l'autre des fonctions de blocage ci-dessous.

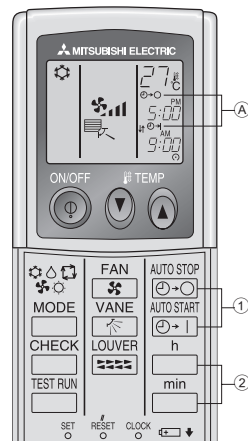
- ❶ Blocage de tous les boutons :
Bloque tous les boutons de la télécommande.
- ❷ Blocage de tout sauf ON/OFF (Marche/Arrêt) :
Bloque tous les boutons autres que ON/OFF.

Remarque :

Le témoin "Fonction de blocage" apparaît à l'écran pour indiquer que les boutons sont actuellement bloqués.



6.2. Pour la télécommande sans fil



- ❶ Pousser le bouton arrêt ou marche ❶ ou ❷ (Réglage du minuteur).

- Vous pouvez régler l'heure lorsque le symbole suivant clignote. Minuteur d'arrêt : (A) ❶-❷ clignote.

Minuteur de mise en marche : (A) ❶-❷ clignote.

- ❷ Utiliser les boutons h et min pour régler l'heure.

- ❸ Annuler le minuteur.

Pour annuler le minuteur d'arrêt, pousser le bouton ❶-❷.

Pour annuler le minuteur de marche, pousser le bouton ❶-❷.

- il est possible de combiner les minuteurs marche et arrêt (ON et OFF).
- Si l'on pousse le bouton marche/arrêt ❶ ON/OFF de la télécommande alors que le minuteur est actif, l'appareil annulera les minuteurs.
- Si l'horloge n'a pas été mise à l'heure, il n'est pas possible d'utiliser le minuteur.

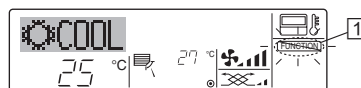
<Comment bloquer les boutons>

1. Tout en pressant le bouton Filter ❹, maintenez appuyé le bouton ON/OFF ❶ pendant 2 secondes. Le témoin "Fonction de blocage" apparaît à l'écran (en ❶), indiquant que la fonction de blocage est enclenchée.

- * Si le verrouillage a été désactivé pour la sélection des fonctions, l'écran affichera le message "indisponible" quand vous appuyez sur les boutons de la manière indiquée ci-dessus.

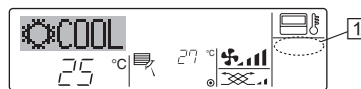


- Si vous appuyez sur un bouton bloqué, le témoin "Fonction de blocage" (en ❶) clignotera à l'écran.



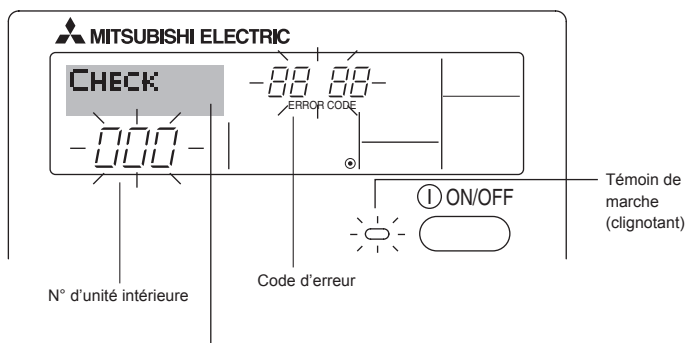
<Comment débloquer les boutons>

1. Tout en pressant le bouton Filter ❹, maintenez appuyé le bouton ON/OFF ❶ pendant 2 secondes—de manière à ce que le témoin "Fonction de blocage" disparaisse de l'écran (en ❶).



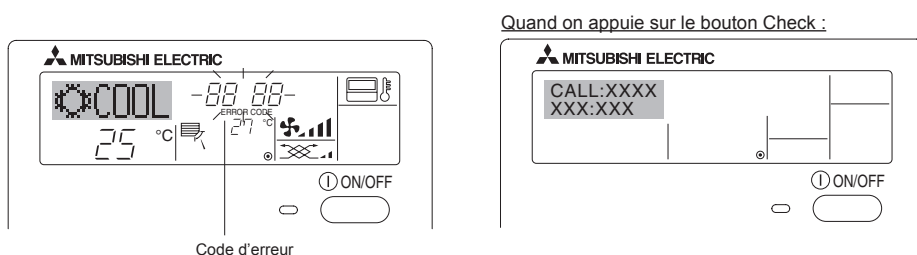
7. Autres fonctions

7.2. Indication des codes d'erreur



Si vous avez entré un numéro de téléphone à appeler en cas de problème, l'écran affiche ce numéro. (Vous pouvez effectuer ce réglage sous la sélection des fonctions. Pour de plus amples informations, reportez-vous section 8.)

- Si le témoin de marche et le code d'erreur clignotent tous les deux : Cela signifie que le conditionneur d'air est hors service et que le fonctionnement est arrêté (et qu'il ne peut être relancé). Notez le numéro d'unité et le code d'erreur, puis éteignez l'alimentation du conditionneur et appelez votre fournisseur ou votre technicien de maintenance.



- Si seul le code d'erreur clignote (alors que le témoin de marche reste allumé) : L'opération continue, mais il se peut que le système ait un problème. Dans ce cas, vous devez noter le code d'erreur, puis appeler votre fournisseur ou votre technicien pour lui demander son avis.
- * Si vous avez entré un numéro de téléphone à appeler en cas de problème, appuyez sur le bouton Check pour l'afficher à l'écran. (Vous pouvez effectuer ce réglage sous la sélection des fonctions. Pour de plus amples informations, reportez-vous section 8.)

8. Sélection des fonctions

Sélection des fonctions de la commande à distance

Le réglage des fonctions de la commande suivantes peut être modifié à l'aide du mode de sélection des fonctions de la commande à distance. Modifiez le réglage au besoin.

Elément 1	Elément 2	Elément 3 (contenu de réglage)
1. Modification de la langue ("CHANGE LANGUAGE")	Réglage des langues d'affichage	<ul style="list-style-type: none"> • L'affichage en plusieurs langues est possible
2. Limitation des fonctions ("SELECTION FONCTIONS")	(1) Réglage de la limitation des fonctions de fonctionnement (verrouillage de fonctionnement) ("BLOCAGE FONCTIONS")	<ul style="list-style-type: none"> • Réglage de la plage de limitation de fonctionnement (fonction de blocage du fonctionnement)
	(2) Utilisation du réglage du mode automatique ("SELECTION DU MODE AUTO")	<ul style="list-style-type: none"> • Activation ou désactivation du mode de fonctionnement "automatique"
	(3) Réglage de la limitation de la plage de températures ("LIMITATION TEMPERATURE")	<ul style="list-style-type: none"> • Réglage de la plage de températures ajustable (maximum, minimum)
3. Sélection des modes ("SELECTION DU MODE")	(1) Réglage de la commande à distance principale/secondaire ("TELCOMMANDE MAITRE/ESCLAVE")	<ul style="list-style-type: none"> • Sélection de la commande à distance principale ou secondaire * Lorsque deux commandes à distance sont connectées à un groupe, l'une des deux doit être réglée en tant que commande secondaire.
	(2) Utilisation du réglage de l'horloge ("AFFICHAGE HORLOGE")	<ul style="list-style-type: none"> • Activation ou désactivation de la fonction d'horloge
	(3) Réglage de la fonction de minuterie ("PROG HEBDO MADAIRE")	<ul style="list-style-type: none"> • Réglage du type de minuterie
	(4) Réglage du numéro à contacter en cas d'erreur ("CALL.")	<ul style="list-style-type: none"> • Affichage du numéro à contacter en cas d'erreur • Réglage du numéro de téléphone
4. Modification de l'affichage ("AFFICHAGE SOUS MENU")	(1) Réglage de l'affichage de la température °C/°F ("TEMPERATURE °C/°F")	<ul style="list-style-type: none"> • Réglage de l'unité de température (°C ou °F) à afficher
	(2) Réglage de l'affichage de la température de l'air d'aspiration ("TEMPERATURE AMBIANTE")	<ul style="list-style-type: none"> • Activation ou désactivation de l'affichage de la température de l'air (d'aspiration) intérieur
	(3) Réglage de l'affichage du refroidissement/chauffage automatique ("AFFICHAGE AUTO F/C")	<ul style="list-style-type: none"> • Activation ou désactivation de l'affichage "Cooling" (Refroidissement) ou "Heating" (Chauffage) pendant le fonctionnement en mode automatique

8. Sélection des fonctions

[Organigramme de sélection des fonctions] Langue par défaut (Anglais)

Affichage normal (affichage lorsque le climatiseur ne fonctionne pas)

Maintenez la touche **Ⓜ** enfoncée et appuyez sur la touche **Ⓜ** pendant 2 secondes.

Maintenez la touche **Ⓜ** enfoncée et appuyez sur la touche **Ⓜ** pendant 2 secondes.

- Ⓜ Appuyez sur la touche "operation mode" (mode de fonctionnement).
- Ⓜ Appuyez sur la touche "TIMER MENU" (MENU DE LA MINUTERIE).
- Ⓜ Appuyez sur la touche "TIMER ON/OFF" (MINUTERIE MARCHE/ARRÊT).

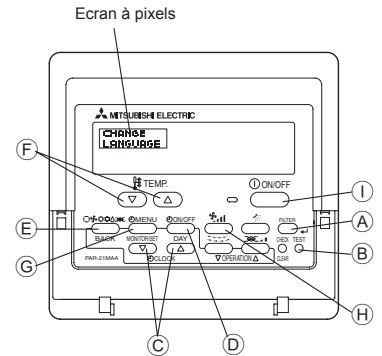
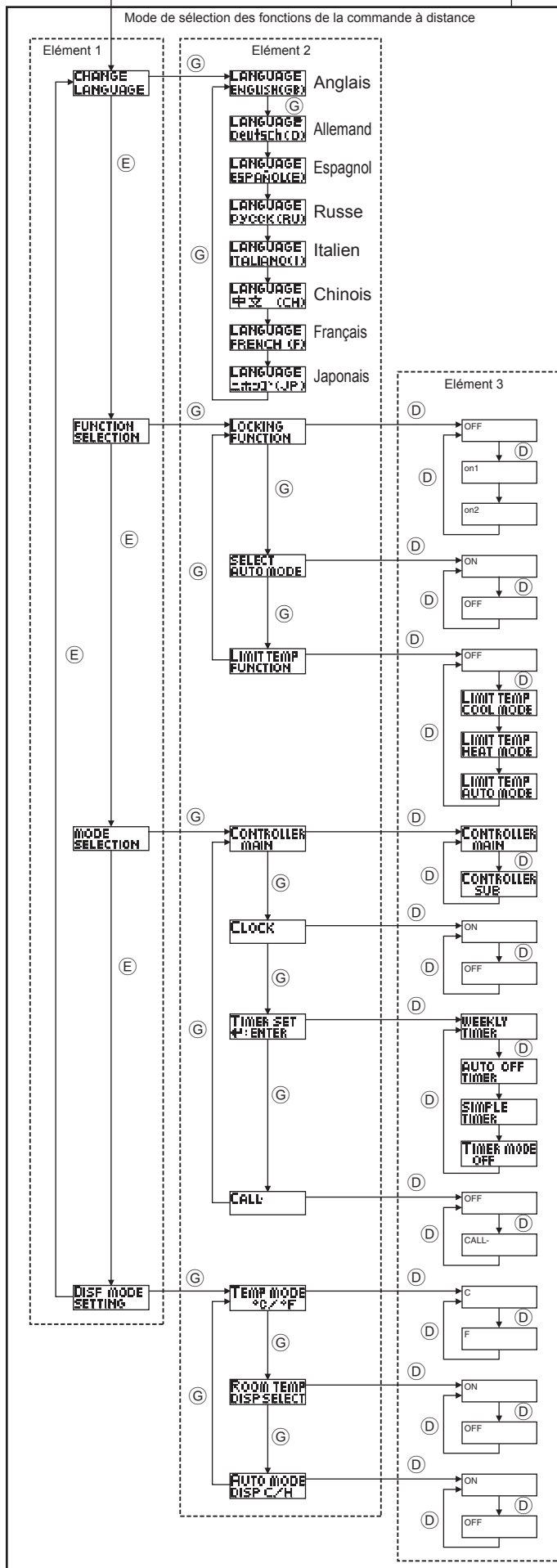
Mode de sélection des fonctions de la commande à distance

Modification de la langue

Sélection des fonctions

Sélection du mode de fonctionnement

Modification de l'affichage



- Le paramétrage de la fonction de blocage du fonctionnement est inactif. (Valeur de paramétrage initiale)
- Le paramétrage de verrouillage des opérations est actif sauf pour les touche "On/Off" (Marche/Arrêt).
- Le paramétrage de verrouillage des opérations concerne toutes les touches.
- Le mode automatique s'affiche lorsque le mode de fonctionnement est sélectionné. (Valeur de paramétrage initiale)
- Le mode automatique ne s'affiche pas lorsque le mode de fonctionnement est sélectionné.
- Les limites de la plage de température sont inactives. (Valeur de paramétrage initiale)
- La plage de température peut être modifiée en mode de refroidissement/déshumidification.
- La plage de température peut être modifiée en mode de chauffage.
- La plage de température peut être modifiée en mode automatique.
- La télécommande deviendra alors la commande principale. (Valeur de paramétrage initiale)
- La télécommande deviendra alors la commande auxiliaire.
- La fonction horloge peut être utilisée. (Valeur de paramétrage initiale)
- La fonction horloge ne peut pas être utilisée.
- La minuterie hebdomadaire peut être utilisée. (Valeur de paramétrage initiale)
- La minuterie "Auto off" (Arrêt auto) peut être utilisée.
- La minuterie simple peut être utilisée.
- Le mode minuterie ne peut pas être utilisé.
- Les numéros programmés ne s'affichent pas en cas d'erreur. (Valeur de paramétrage initiale)
- Les numéros programmés s'affichent en cas d'erreur.
- La température de l'appareil est affichée en °C. (Valeur de paramétrage initiale)
- La température de l'appareil est affichée en °F.
- La température de l'air de la pièce est affichée. (Valeur de paramétrage initiale)
- La température de l'air de la pièce n'est pas affichée.
- Le mode "Automatic cooling" (refroidissement auto) ou "Automatic heating" (chauffage auto) s'affiche en mode automatique. (Valeur de paramétrage initiale)
- Seul "Automatic" s'affiche en mode automatique.

8. Sélection des fonctions

[Réglage détaillé]

[4]–1. Réglage CHANGE LANGUAGE (Modification de la langue)

La langue d'affichage de l'écran à pixels peut être sélectionnée.

- Appuyez sur la touche [ON/OFF] pour modifier la langue.
 - ① Anglais (GB), ② Allemand (D), ③ Espagnol (E), ④ Russe (RU),
 - ⑤ Italien (I), ⑥ Chinois (CH), ⑦ Français (F), ⑧ Japonais (JP)

Consultez le tableau d'affichage par point.

[4]–2. Limitation des fonctions

(1) Réglage de la limitation des fonctions de fonctionnement (fonction de blocage du fonctionnement)

- Pour commuter le réglage, appuyez sur la touche [ON/OFF].
 - ① no1 : Le réglage du verrouillage de fonctionnement est appliqué à toutes les touches autres que la touche [ON/OFF].
 - ② no2 : Le réglage du verrouillage de fonctionnement est appliqué à toutes les touches.
 - ③ OFF (valeur de réglage initial) :
Le réglage du verrouillage de fonctionnement n'est pas appliqué.
- * Pour appliquer le réglage du verrouillage de fonctionnement à l'écran normal, il est nécessaire d'appuyer sur les touches (Appuyez simultanément sur les touches [FILTER] et [ON/OFF] en même temps et les maintenir enfoncées pendant 2 secondes.) sur l'écran normal après avoir effectué le réglage ci-dessus.

(2) Utilisation du réglage du mode automatique

Lorsque la commande à distance est connectée à l'appareil disposant du mode de fonctionnement automatique, les réglages suivants peuvent être effectués.

- Pour commuter le réglage, appuyez sur la touche [ON/OFF].
 - ① ON (valeur de réglage initial) :
Le mode automatique s'affiche lorsque ce mode de fonctionnement est sélectionné.
 - ② OFF :
Le mode automatique ne s'affiche pas lorsque ce mode de fonctionnement est sélectionné.

(3) Réglage de la limitation de la plage de températures

Une fois ce réglage effectué, la température peut être modifiée dans la plage définie.

- Pour commuter le réglage, appuyez sur la touche [ON/OFF].
 - ① LIMITE TEMP MODE FROID :
La plage de températures peut être modifié en mode refroidissement/déshumidification.
 - ② LIMITE TEMP MODE CHAUD :
La plage de températures peut être modifié en mode chauffage.
 - ③ LIMITE TEMP MODE AUTO :
La plage de températures peut être modifié en mode automatique.
 - ④ OFF (programmation initiale) :
La limitation de la plage de températures n'est pas active.
- * Lorsqu'un réglage autre que OFF est sélectionné, le réglage de la limitation de la plage de températures des modes refroidissement, chauffage et automatique s'effectue en même temps. Toutefois, la plage ne peut pas être limitée lorsque la plage de températures réglée n'a pas été modifiée.
- Pour augmenter ou diminuer la température, appuyez sur la touche [TEMP. (▽) ou (△)].
- Pour commuter entre le réglage maximal et minimal, appuyez sur la touche [TEMP. (▽) et (△)]. Le réglage sélectionné clignote et la température peut être réglée.
- Plage réglable
Mode refroidissement/déshumidification :
Limite inférieure : 19°C à 30°C Limite supérieure : 30°C à 19°C
Mode chauffage :
Limite inférieure : 17°C à 28°C Limite supérieure : 28°C à 17°C
Mode automatique :
Limite inférieure : 19°C à 28°C Limite supérieure : 28°C à 19°C

[4]–3. Réglage de la sélection des modes de fonctionnement

(1) Réglage de la commande à distance principale/secondaire

- Pour commuter le réglage, appuyez sur la touche [ON/OFF].
 - ① Maître : La commande devient la commande principale.
 - ② Esclave : La commande devient la commande secondaire.

(2) Utilisation du réglage de l'horloge

- Pour commuter le réglage, appuyez sur la touche [ON/OFF].
 - ① ON : La fonction d'horloge peut être utilisée.
 - ② OFF : La fonction d'horloge ne peut pas être utilisée.

(3) Réglage de la fonction de minuterie

- Pour commuter le réglage, appuyez sur la touche [ON/OFF].
 - ① (Choisissez l'une des fonctions suivantes.)
 - ① PROG HEBDO MADAIRE (Valeur de réglage initial) :
La minuterie hebdomadaire peut être utilisée.
 - ② PROG HORAIRE ARRET AUTO :
L'arrêt différé automatique peut être utilisé.
 - ③ PROG HORAIRE SIMPLIFIE :
La minuterie simple peut être utilisée.
 - ④ PROG HORAIRE INACTIF :
Le mode de minuterie ne peut pas être utilisé.
- * Lorsque l'utilisation du réglage de l'horloge est définie sur OFF, la fonction "PROG HEBDO MADAIRE" ne peut pas être utilisée.

(4) Réglage du numéro à contacter en cas d'erreur

- Pour commuter le réglage, appuyez sur la touche [ON/OFF].
 - ① CALL OFF :
Les numéros à contacter définis ne s'affichent pas en cas d'erreur.
 - ② CALL **** * :
Les numéros à contacter définis s'affichent en cas d'erreur.
CALL_ :
Le numéro à contacter peut être réglé lorsque l'affichage est tel qu'illustré à gauche.
- Réglage des numéros à contacter
Pour régler les numéros à contacter, effectuez la procédure suivante.
Déplacez le curseur clignotant sur les numéros réglés.
Appuyez sur la touche [TEMP. (▽) et (△)] pour déplacer le curseur vers la droite (gauche). Appuyez sur la touche [CLOCK (▽) et (△)] pour régler les numéros.

[4]–4. Réglage de l'affichage

(1) Réglage de l'affichage de la température °C/°F

- Pour commuter le réglage, appuyez sur la touche [ON/OFF].
 - ① °C : L'unité de température °C est utilisée.
 - ② °F : L'unité de température °F est utilisée.

(2) Réglage de l'affichage de la température de l'air d'aspiration

- Pour commuter le réglage, appuyez sur la touche [ON/OFF].
 - ① ON : La température de l'air d'aspiration s'affiche.
 - ② OFF : La température de l'air d'aspiration ne s'affiche pas.

(3) Réglage de l'affichage du refroidissement/chauffage automatique

- Pour commuter le réglage, appuyez sur la touche [ON/OFF].
 - ① ON :
L'une des fonctions "Automatic cooling" (Refroidissement automatique) ou "Automatic heating" (Chauffage automatique) s'affiche en mode automatique.
 - ② OFF :
Seule la fonction "Automatic" (Automatique) s'affiche en mode automatique.

8. Sélection des fonctions

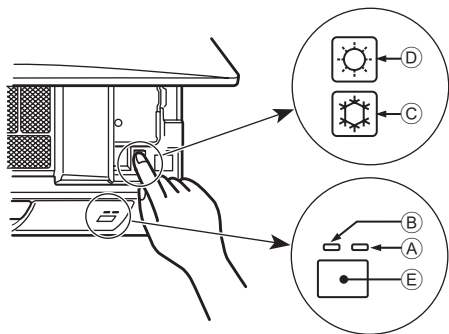
[Tableau d'affichage par point]

Langue par défaut		Anglais	Allemand	Espagnol	Russe	Italien	Chinois	Français	Japonais
Attendre le démarrage		PLEASE WAIT	←	←	←	←	←	←	←
Mode de fonctionnement	Refroidissement	COOL	Kühlen	FRÍO	Холод	COOL	制冷	FROID	冷房
	Déshumidification	DRY	Trocknen	DESHUMIDIFICACIÓN	Сушка	DRY	除湿	DESHU	ドライ
	Chauffage	HEAT	Heizen	CALOR	Тепло	HEAT	制热	CHAUD	暖房
	Automatique	AUTO	AUTO	AUTOMÁTICO	Авто	AUTO	自动	AUTO	自動
	Automatique (Refroidissement)	COOL	Kühlen	FRÍO	Холод	COOL	制冷	FROID	冷房
	Automatique (Chauffage)	HEAT	Heizen	CALOR	Тепло	HEAT	制热	CHAUD	暖房
	Soufflerie	FAN	Lüfter	VENTILACIÓN	ВЕНТ	VENTILAZIONE	送风	VENTILATION	送風
	Ventilation	VENTILATION	Gelüftebetrieb	VENTILACIÓN	ВЕНТИЛЯЦИЯ	ARIA ESTERNA	换气	VENTILATION	換気
	Attente (Pré-chauffage)	STAND BY	STAND BY	CALENTANDO	ОБОГРЕВ: ПАУЗА	STAND BY	准备中	PRE CHAUFFAGE	準備中
Dégivrage	DEFROST	Alttauen	DESCONGE-LACIÓN	ОТТАВЛИВАНИЕ	SBRINAMENTO	除霜中	DEGIVRAGE	霜取中	
Température définie	SET TEMP	TEMP einstellen	TEMP. CONSIGNA	ЦЕЛЕВАЯ ТЕМПЕРАТУРА	IMPOSTAZIONE TEMPERATURA	设定温度	REGLAGE TEMPERATURE	設定温度	
Vitesse du ventilateur	FAN SPEED	Lüftergeschwindigkeit	VELOCIDAD VENTILADOR	СКОРОСТЬ ВЕНТИЛЯТОРА	VELOCITÀ VENTILATORE	风速	VITESSE DE VENTILATION	風速	
Touche indisponible	NOT AVAILABLE	nicht verfügbar	NO DISPONIBLE	НЕ ДОСТУПНО	NON DISPONIBILE	无效按钮	NON DISPONIBILE	無効ボタン	
Contrôle (Erreur)	CHECK	Prüfen	COMPROBAR	ПРОВЕРКА	CHECK	检查	CONTROLE	点検	
Marche d'essai	TEST RUN	Testbetrieb	TEST FUNCIONAMIENTO	ТЕСТОВЫЙ ЗАПУСК	TEST RUN	试运行	TEST	試運転	
Auto-contrôle	SELF CHECK	Selbst-diagnose	AUTO REVISIÓN	САМОДИАГНОСТИКА	SELF CHECK	自我诊断	AUTO CONTROL	自己診断	
Sélection des fonctions	FUNCTION SELECTION	Funktion auswählen	SELECCIÓN DE FUNCIONES	ВЫБОР ФУНКЦИИ	SELEZIONE FUNZIONI	功能选择	SELECTION FUNCTIONS	メニュー選択	
Réglage de la ventilation	SETTING OF VENTILATION	Lüfterstufen wählen	CONFIG. VENTILACIÓN	НАСТРОЙКА ВЕНТУСТАЯ	IMPOSTAZIONE ARIA ESTERNA	换气设定	SELECTION VENTILATION	換気設定	

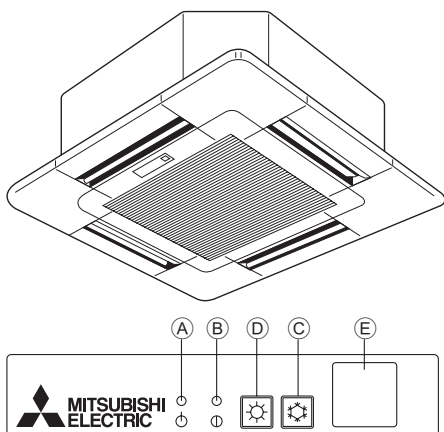
Langue par défaut		Anglais	Allemand	Espagnol	Russe	Italien	Chinois	Français	Japonais
Modification de la langue		CHANGE LANGUAGE	←	←	←	←	←	←	←
Sélection des fonctions		FUNCTION SELECTION	Funktion auswählen	SELECCIÓN DE FUNCIONES	ВЫБОР ФУНКЦИИ	SELEZIONE FUNZIONI	功能限制	SELECTION FUNCTIONS	メニュー制限
Blocage des fonctions		LOCKING FUNCTION	Sperre - Funktion	FUNCION BLOQUEADA	ФУНКЦИЯ БЛОКИРОВАН	BLOCCO FUNZIONI	操作限制	BLOCCAGE FUNCTIONS	操作ロック
Sélection du mode automatique		SELECT AUTO MODE	Auswahl Auto Betrieb	SELECCIÓN MODO AUTO	ВЫБОР РЕЖИМА АВТО	SELEZIONE MODO AUTO	自动模式	SELECTION DU MODO AUTO	自動モード
Limites de la plage de température		LIMIT TEMP FUNCTION	Limit Temp Funktion	LIMIT TEMP CONSIGNA	ОГРАНИЧЕНИЕ УСТ. ТЕМПЕРАТ	LIMITAZIONE TEMPERATURA	温度限制	LIMITAZIONE TEMPERATURE	温度制限
Limites de température mode refroidissement		LIMIT TEMP COOL MODE	Limit Kühl Temp	LIMIT TEMP MODO FRIO	ОГРАНИЧЕНО ОХЛАЖДЕНИЕ	LIMITAZIONE MODO COOL	制冷范围	LIMITE TEMP MODO FROID	制冷冷房
Limites de température mode chauffage		LIMIT TEMP HEAT MODE	Limit Heiz Temp	LIMIT TEMP MODO CALOR	ОГРАНИЧЕН ОБОГРЕВ	LIMITAZIONE MODO HEAT	制热范围	LIMITE TEMP MODO CHAUD	制热暖房
Limites de température mode auto		LIMIT TEMP AUTO MODE	Limit Auto Temp	LIMIT TEMP MODO AUTO	ОГРАНИЧЕН РЕЖИМ АВТО	LIMITAZIONE MODO AUTO	自动范围	LIMITE TEMP MODO AUTO	制自动
Sélection du mode de fonctionnement		MODE SELECTION	Betriebsart wählen	SELECCIÓN DE MODO	ВЫБОР РЕЖИМА	SELEZIONE MODO	基本模式	SELECTION DU MODO	基本メニュー
Réglage télécommande PRINCIPALE		CONTROLLER MAIN	Haupt Controller	CONTROL PRINCIPAL	ОСНОВНОЙ ПУЛЬТ	CONTROLLO MAIN	遥控主	TELCOMMANDE MAÎTRE	リモコン主
Réglage télécommande AUXILIAIRE		CONTROLLER SUB	Neben Controller	CONTROL SECUNDARIO	ДОПОЛНИТЕЛЬНЫЙ ПУЛЬТ	CONTROLLO SUB	遥控辅	TELCOMMANDE ESCLAVE	リモコン主副
Réglage de l'horloge		CLOCK	Uhr	RELOJ	ЧАСЫ	OROLOGIO	时钟	AFFICHAGE HORLOGE	時計 3:00
Réglage jour/heure		TIME SET 4:ENTER	Uhr stellen 4:einstellen	CONFIG RELOJ 4:CONFIG	ЧАСЫ: УСТ. 4: ВВОД	OROLOGIO 4: ENTER	时间 4: ENTER	HORLOGE 4: ENTER	トイセツテイ 4: カクテイ
Réglage minuterie		TIMER SET 4:ENTER	Zeitschaltuhr 4:einstellen	TEMPORIZA - DOR 4:CONFIG	ТАЙМЕР: УСТ. 4: ВВОД	TIMER 4: ENTER	定时器 4: ENTER	PROG HORAIRES 4: ENTRER	タイマーセツテイ 4: カクテイ
Contrôle minuterie		TIMER MONITOR	Uhrzeit Anzeige	VISUALIZAR TEMPORIZAD.	ПРОСМОТР ТАЙМЕРА	VISUALIZ TIMER	定时器状态	AFFICHAGE PROG HORAIRES	タイマーモニター
Minuterie hebdomadaire		WEEKLY TIMER	Wochenzeit schalt Uhr	TEMPORIZA - DOR SEMANAL	НЕДЕЛЬНЫЙ ТАЙМЕР	TIMER SET TIMANALE	每周定时器	PROG HEBDO MAÎNAIRE	タイマー週間
Mode de minuterie "off" (Arrêt)		TIMER MODE OFF	Zeitschaltuhr AUS	TEMPORIZA - DOR APAGADO	ТАЙМЕР ВЫКЛ.	TIMER OFF	定时器无效	PROG HORAIRES INACTIF	タイマー無効
Minuterie "Auto Off" (Arrêt auto)		AUTO OFF TIMER	Auto Zeit funktion AUS	APAGADO AUTOMÁTICO	АВТООТКЛЮЧ. ПО ТАЙМЕРУ	AUTO OFF TIMER	解除定时	PROG HORAIRES ARRET AUTO	タイマーオフオフ
Minuterie simple		SIMPLE TIMER	einfache Zeitfunktion	TEMPORIZA - DOR SIMPLE	ПРОСТОЙ ТАЙМЕР	TIMER SEMPLIFICATO	简易定时器	PROG HORAIRES SIMPLIFIE	タイマーカンイ
Paramétrage des numéros en situation d'erreur		CALL	←	←	←	←	←	←	←
Modification de l'affichage		DISP MODE SETTING	Anzeige Betriebsart	MOstrar MODO	НАСТРОЙКА ИНА РЕЖИМА	IMPOSTAZIONE MODO DISPLAY	转换表示	AFFICHAGE SOUS MENU	表示切替
Réglage de l'affichage de la température en °C/°F		TEMP MODE °C/°F	Wechsel °C/°F	TEMPGRADOS °C/°F	ЕДИН.ТЕМПЕРАТ. °C/°F	TEMPERATURA °C/°F	温度 °C/°F	TEMPERATURE °C/°F	温度 °C/°F
Réglage de l'affichage de la température de l'air de la pièce		ROOM TEMP DISP SELECT	Raum Temp schwahl	MOstrar TEMP	ПОКАЗЫВАТЬ ТЕМП. В КОМН.	TEMPERATURA AMBIENTE	吸入温度	TEMPERATURE AMBIANTE	ストコロオド 3:00
Réglage de l'affichage refroidissement/ chauffage automatique		AUTO MODE DISP C/H	Auto Betrieb C/H	MOstrar F/C EN AUTO	ИНА. Т./Х В РЕЖИМЕ АВТО	AUTO C/H	自动表示	AFFICHAGE AUTO F/C	自動 3:00

9. Fonctionnement d'urgence de la télécommande sans fil

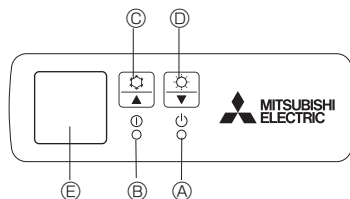
■ PKFY-P-VKM-E



■ PLFY-P-VCM-E2



■ PCFY-P-VKM-E



Lorsqu'il n'est pas possible d'utiliser la télécommande

Lorsque les piles de la télécommande sont usées ou lorsque la télécommande ne fonctionne pas correctement, vous pouvez activer le mode de fonctionnement d'urgence à l'aide des touches d'urgence situées sur la grille.

- Ⓐ Témoin DEFROST/STAND BY (dégivrage/veilleuse)p
- Ⓑ Témoin de fonctionnement
- Ⓒ Interrupteur de fonctionnement de refroidissement d'urgence
- Ⓓ Interrupteur de fonctionnement de chauffage d'urgence
- Ⓔ Capteur

Opération de mise en marche

- Pour exécuter le mode de refroidissement, appuyez sur le bouton Ⓒ pendant plus de 2 secondes.
- Pour exécuter le mode de chauffage, appuyez sur le bouton Ⓓ pendant plus de 2 secondes.
- L'allumage du témoin de fonctionnement Ⓑ signifie que le fonctionnement a commencé.

Remarque :

- Les détails concernant le mode d'urgence sont tels qu'indiqués ci-dessous.

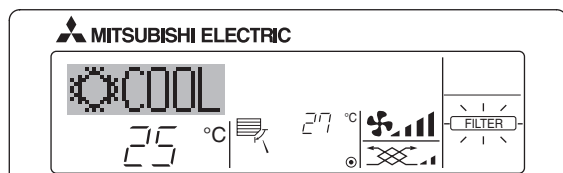
Les détails concernant le mode d'urgence sont tels qu'indiqués ci-dessous.

Mode de fonctionnement	FROID	CHAUD
Température définie	24°C	24°C
Vitesse de ventilateur	Élevé	Élevé
Direction du flux d'air	Horizontal	Vers le bas 4 (5)

Pour arrêter le fonctionnement

- Pour arrêter l'appareil, appuyez sur la touche Ⓒ Ⓔ ou sur la touche Ⓓ pendant plus de 2 secondes.

10. Entretien et nettoyage



■ Affiche qu'il faut nettoyer le filtre.

Nettoyez le filtre.

■ Pour réinitialiser l'affichage "FILTER" (filtre)

Si vous appuyez deux fois successives sur la touche [FILTER] (filtre) après avoir nettoyé le filtre, l'affichage s'éteint puis est réinitialisé.

Remarque :

- Si deux types d'appareils intérieurs (ou plus) sont contrôlés, la période entre les nettoyages dépend du type de filtre. Si vous devez nettoyer le filtre de l'appareil principal, "FILTER" (filtre) s'affiche. Si l'affichage s'éteint, la période cumulée est réinitialisée.
- "FILTER" (filtre) indique la période entre les nettoyages en heure si le climatiseur est utilisé dans des conditions d'air intérieur normales. Toutefois, le degré d'encrassement du filtre dépend des conditions environnementales ; nettoyez-le donc en conséquence.
- La période cumulée avant le nettoyage du filtre varie selon les modèles.
- Cette indication est indisponible pour la télécommande sans fil.

► Nettoyage des filtres

- Nettoyer les filtres avec un aspirateur. Si vous ne possédez pas d'aspirateur, battre les filtres contre un objet dur afin de les secouer et de retirer toutes les saletés et la poussière.
- Si les filtres sont particulièrement sales, les laver à l'eau tiède. Veiller à rincer soigneusement toute trace de détergent et laisser sécher les filtres complètement avant de les remonter dans le climatiseur.

⚠ Précaution:

- Ne jamais laisser sécher les filtres au soleil ni les sécher en utilisant une source de chaleur comme un chauffage électrique : vous risqueriez de les déformer.
- Ne jamais laver les filtres à l'eau chaude (au-dessus de 50°C) car vous risqueriez de les faire gondoler.
- Veiller à ce que les filtres à air soient toujours en place. La mise en marche de l'appareil alors que les filtres sont retirés pourrait en effet être à l'origine d'un mauvais fonctionnement.

⚠ Précaution:

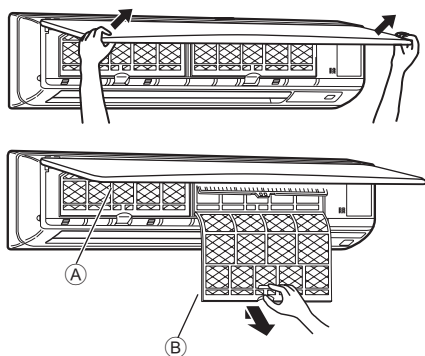
- Avant de commencer le nettoyage, arrêter l'appareil et couper l'alimentation.
- Les appareils intérieurs sont équipés de filtres servant à extraire les poussières de l'air aspiré. Nettoyer les filtres selon les méthodes illustrées ci-après.

⚠ Précaution:

- Lors du retrait du filtre, se protéger les yeux de la poussière. Si vous devez monter sur le rebord d'une fenêtre pour effectuer l'opération, attention de ne pas tomber.
- Une fois le filtre retiré, ne pas toucher les pièces métalliques internes de l'appareil intérieur sous peine de blessure.

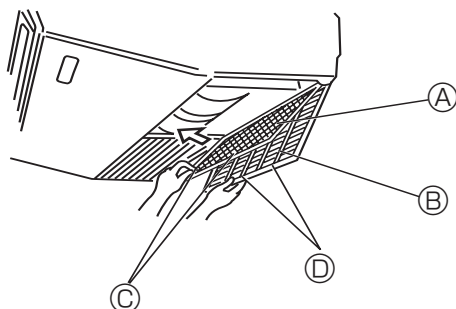
10. Entretien et nettoyage

■ PKFY-P-VKM-E



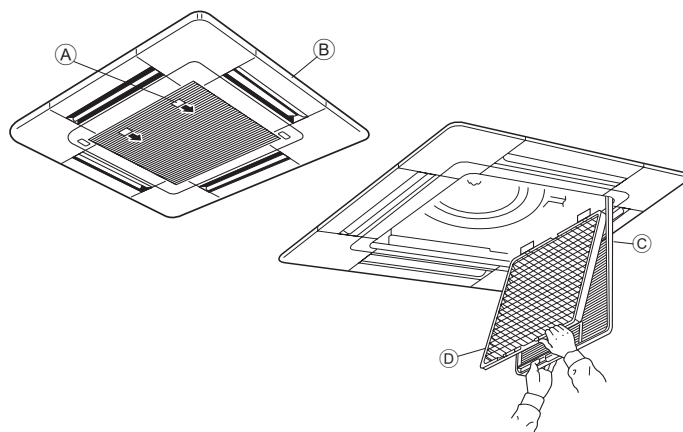
- ① Tirez sur les deux coins inférieurs de la grille d'aspiration des deux mains pour ouvrir la grille, puis levez le filtre jusqu'à ce qu'il se bloque en position d'arrêt.
 - ② Maintenez enfoncés les boutons se trouvant sur le filtre et tirez le filtre vers le haut avant de le retirer complètement. (Situé à deux endroits : droite et gauche.)
- A Grille avant
 B Filtre

■ PCFY-P-VKM-E



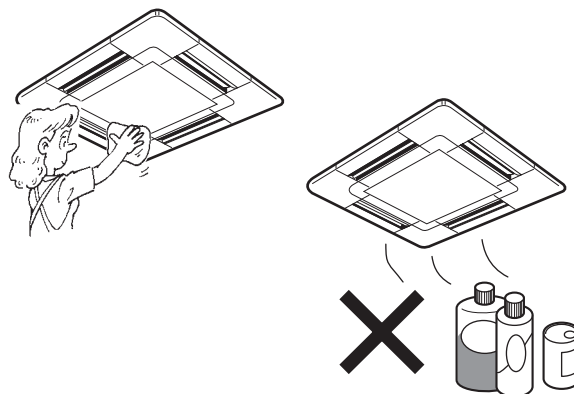
- ① Ouvrir la grille d'aspiration.
 - ② Tenir le bouton se trouvant sur le filtre puis tirer le filtre vers le haut dans la direction d'une flèche. Pour remplacer le filtre après le nettoyage, assurez-vous d'insérer le filtre jusqu'à ce qu'il soit bien en place dans l'arrêtoir.
- A Filtre B Grille d'aspiration C Bouton D Arrêtoir

■ PLFY-P-VCM-E2



- ① Tirer le bouton de la grille d'aspiration dans le sens indiqué par la flèche pour ouvrir la grille.
 - ② Ouvrir la grille d'aspiration.
 - ③ Dégager le bouton situé au centre du bord de la grille d'aspiration et tirer le filtre vers l'avant pour l'extraire.
- A Bouton
 B Grille
 C Grille d'aspiration
 D Filtre

Nettoyage de l'appareil intérieur



- Essuyer les surfaces externes de l'appareil avec un chiffon propre, doux et sec.
- Nettoyer toute tâche d'huile ou marque de doigts à l'aide d'un détergent ménager neutre (comme par exemple du détergent pour la vaisselle ou pour la lessive).

⚠ Précaution:

Ne jamais utiliser d'essence, de benzène, de thinner, de poudre à récurer ou tout autre type de détergent abrasif car ces substances risquent d'endommager le coffret de l'appareil.

11. Guide de dépannage

En cas de problème :	Voici la solution. (L'appareil fonctionne normalement.)
Le climatiseur ne chauffe ni ne refroidit correctement.	<ul style="list-style-type: none"> ■ Nettoyez le filtre. (Le débit d'air est réduit lorsque le filtre est sale ou colmaté.) ■ Contrôlez la température et ajustez la température définie en conséquence. ■ Assurez-vous qu'il y a suffisamment d'espace autour de l'appareil extérieur. L'admission ou la sortie d'air de l'appareil intérieur est-elle bloquée ? ■ Une porte ou une fenêtre a-t-elle été laissée ouverte ?
Lorsque l'opération de chauffage débute, de l'air chaud n'est pas expulsé immédiatement de l'appareil intérieur.	<ul style="list-style-type: none"> ■ De l'air chaud est expulsé uniquement lorsque l'appareil intérieur est suffisamment chaud.
En mode de chauffage, le climatiseur s'arrête avant que la température définie pour la pièce soit atteinte.	<ul style="list-style-type: none"> ■ Lorsque la température extérieure est basse et l'humidité de l'air importante, du givre peut se former sur l'appareil extérieur. Dans ce cas, l'appareil extérieur procède à une opération de dégivrage. Un fonctionnement normal de l'appareil devrait débiter au bout de 10 minutes environ.
La direction du flux d'air vertical varie pendant l'opération ou la direction ne peut être définie.	<ul style="list-style-type: none"> ■ En mode de refroidissement, les ailettes se placent automatiquement en position horizontale (basse) au bout d'une (1) heure lorsqu'une direction du flux d'air vertical basse (horizontale) est sélectionnée. Ceci évite la formation d'eau sur les ailettes et prévient tout suintement. ■ En mode de chauffage, les ailettes se placent automatiquement en position horizontale lorsque la température du flux d'air vertical est basse ou pendant le mode de dégivrage.
Lorsque la direction du flux d'air vertical est modifiée, les ailettes se déplacent toujours vers le haut et vers le bas au-delà de la position déterminée avant de s'arrêter sur la position souhaitée.	<ul style="list-style-type: none"> ■ Lorsque la direction du flux d'air vertical est modifiée, les ailettes se placent sur la position déterminée après être passées par la position de base.
Un bruit d'eau qui ruisselle ou plus rarement un souffle peut être perçu.	<ul style="list-style-type: none"> ■ Ces bruits peuvent être perçus lorsque le réfrigérant circule dans le climatiseur ou lorsque le flux du réfrigérant a été modifié.
Un craquement ou un grincement peut être perçu.	<ul style="list-style-type: none"> ■ Ces bruits peuvent être perçus lorsque les pièces du climatiseur frottent les unes contre les autres en raison de l'expansion et de la contraction qui résultent des variations de température.
La pièce a une odeur désagréable.	<ul style="list-style-type: none"> ■ L'appareil intérieur aspire de l'air qui contient des gaz produits par les murs, les moquettes et les meubles ainsi que des odeurs véhiculées par les vêtements, puis il les expulse à nouveau dans la pièce.
Une buée ou vapeur blanche sort de l'appareil intérieur.	<ul style="list-style-type: none"> ■ Si la température intérieure et l'humidité de l'air sont élevées, cette situation peut se produire en début d'opération. ■ En mode de dégivrage, de l'air froid peut être expulsé et avoir l'apparence de la buée.
De l'eau ou de la vapeur sort de l'appareil extérieur.	<ul style="list-style-type: none"> ■ En mode de refroidissement, de l'eau peut se former et suinter des tuyaux et des raccords froids. ■ En mode de chauffage, de l'eau peut se former et suinter de l'échangeur thermique. ■ En mode de dégivrage, l'eau présent sur l'échangeur thermique s'évapore provoquant ainsi une émission de vapeur d'eau.
Le témoin de fonctionnement n'apparaît pas sur l'écran de la télécommande.	<ul style="list-style-type: none"> ■ Mettez l'appareil sous tension. Le signe "●" apparaîtra sur l'écran de la télécommande.
Le climatiseur ne fonctionne pas, même lorsque la touche ON/OFF (Marche/Arrêt) est activée. L'écran du mode de fonctionnement disparaît au niveau de la télécommande.	<ul style="list-style-type: none"> ■ L'interrupteur de l'appareil intérieur est-il désactivé ? Activez l'interrupteur.
Le signe "☒" apparaît sur l'écran de la télécommande.	<ul style="list-style-type: none"> ■ Lors du contrôle centralisé, le signe "☒" apparaît sur l'écran de la télécommande et le fonctionnement du climatiseur ne peut être lancé ou arrêté à l'aide de la télécommande.
Lorsque le climatiseur est redémarré immédiatement après avoir été éteint, son fonctionnement est bloqué même si la touche "ON/OFF" (Marche/Arrêt) est sollicitée.	<ul style="list-style-type: none"> ■ Patientez trois minutes environ. (Le fonctionnement s'est arrêté pour protéger le climatiseur.)
Le climatiseur fonctionne sans que la touche "ON/OFF" (Marche/Arrêt) soit sollicitée.	<ul style="list-style-type: none"> ■ La fonction de marche de la minuterie a-t-elle été réglée ? Appuyez sur la touche "ON/OFF" (Marche/Arrêt) pour l'arrêter. ■ Le climatiseur est-il relié à une télécommande centralisée ? Veuillez consulter les personnes responsables du contrôle du climatiseur. ■ Le signe "☒" apparaît-il sur l'écran de la télécommande ? Veuillez consulter les personnes responsables du contrôle du climatiseur. ■ La fonction de recouvrement auto en cas de coupure d'électricité a-t-elle été réglée ? Appuyez sur la touche "ON/OFF" (Marche/Arrêt) pour l'arrêter.
Le climatiseur s'arrête sans que la touche "ON/OFF" (Marche/Arrêt) soit sollicitée.	<ul style="list-style-type: none"> ■ La fonction d'arrêt de la minuterie a-t-elle été réglée ? Appuyez sur la touche "ON/OFF" (Marche/Arrêt) pour relancer l'opération. ■ Le climatiseur est-il relié à une télécommande centralisée ? Veuillez consulter les personnes responsables du contrôle du climatiseur. ■ Le signe "☒" apparaît-il sur l'écran de la télécommande ? Veuillez consulter les personnes responsables du contrôle du climatiseur.
Le fonctionnement de la minuterie de la télécommande ne peut pas être réglé.	<ul style="list-style-type: none"> ■ Les paramètres de la minuterie sont-ils invalides ? Si la minuterie peut être réglée, les signes (WEEKLY), (SIMPLE), ou (AUTO OFF) doivent apparaître sur l'écran de la télécommande.
Le message "PLEASE WAIT" (VEUILLEZ PATIENTER) apparaît sur l'écran de la télécommande.	<ul style="list-style-type: none"> ■ Les paramètres initiaux sont en cours d'exécution. Patientez 3 minutes environ.
Un code d'erreur apparaît sur l'écran de la télécommande.	<ul style="list-style-type: none"> ■ Les dispositifs de protection ont fonctionné pour protéger le climatiseur. ■ N'essayez pas de réparer cet appareil vous-même. Mettez l'appareil hors tension immédiatement et consultez votre revendeur. Vous devrez fournir au revendeur le nom du modèle et les informations qui apparaissent sur l'écran de la télécommande.
Un bruit de goutte à goutte ou de moteur qui tourne peut être perçu.	<ul style="list-style-type: none"> ■ A l'arrêt de l'opération de refroidissement, la pompe de vidange se met en marche puis s'arrête. Patientez 3 minutes environ.

11. Guide de dépannage

En cas de problème :	Voici la solution. (L'appareil fonctionne normalement.)												
Le bruit perçu est supérieur aux caractéristiques sonores.	<ul style="list-style-type: none"> Le niveau sonore du fonctionnement intérieur dépend de l'acoustique de la pièce dans laquelle l'appareil est installé (voir tableau suivant), et sera supérieur aux caractéristiques sonores (mesurées dans une pièce sans écho). <table border="1"> <thead> <tr> <th></th> <th>Pièces présentant une absorption phonique élevée</th> <th>Pièces présentant une absorption phonique normale</th> <th>Pièces présentant une absorption phonique faible</th> </tr> </thead> <tbody> <tr> <td>Exemples de pièce</td> <td>Studio de radiodiffusion, salle de musique, etc.</td> <td>Salle de réception, entrée d'hôtel, etc.</td> <td>Bureau, chambre d'hôtel</td> </tr> <tr> <td>Niveaux sonores</td> <td>3 à 7 dB</td> <td>6 à 10 dB</td> <td>9 à 13 dB</td> </tr> </tbody> </table>		Pièces présentant une absorption phonique élevée	Pièces présentant une absorption phonique normale	Pièces présentant une absorption phonique faible	Exemples de pièce	Studio de radiodiffusion, salle de musique, etc.	Salle de réception, entrée d'hôtel, etc.	Bureau, chambre d'hôtel	Niveaux sonores	3 à 7 dB	6 à 10 dB	9 à 13 dB
	Pièces présentant une absorption phonique élevée	Pièces présentant une absorption phonique normale	Pièces présentant une absorption phonique faible										
Exemples de pièce	Studio de radiodiffusion, salle de musique, etc.	Salle de réception, entrée d'hôtel, etc.	Bureau, chambre d'hôtel										
Niveaux sonores	3 à 7 dB	6 à 10 dB	9 à 13 dB										
Rien n'apparaît sur l'écran de la télécommande sans fil, l'écran est flou, ou l'appareil intérieur ne reçoit aucun signal sauf si la télécommande est éteinte.	<ul style="list-style-type: none"> Les piles sont faibles. Remplacez les piles et appuyez sur la touche "Reset" (Réinitialiser). Si rien n'apparaît suite au remplacement des piles, assurez-vous que les piles sont insérées conformément à la polarité indiquée (+, -). 												
Le témoin de fonctionnement situé près du récepteur de la télécommande sans fil sur l'appareil intérieur clignote.	<ul style="list-style-type: none"> La fonction d'auto-diagnostic a fonctionné pour protéger le climatiseur. N'essayez pas de réparer cet appareil vous-même. Mettez l'appareil hors tension immédiatement et consultez votre revendeur. Veuillez fournir au revendeur le nom du modèle. 												
L'appareil intérieur produit de l'air chaud de manière intermittente lorsque le mode de chauffage est désactivé ou lorsque le mode de soufflerie est activé.	<ul style="list-style-type: none"> Lorsqu'un autre appareil intérieur fonctionne en mode de chauffage, la soupape de commande se ferme et s'ouvre occasionnellement afin de maintenir la stabilité du système de climatisation. Ce fonctionnement de la soupape cesse après quelques instants. * Si ceci entraîne une augmentation indésirable de la température des petites pièces, etc., interrompez temporairement le fonctionnement de l'appareil intérieur. 												

Plage d'applications :

La plage des températures de fonctionnement pour les appareils intérieurs et extérieurs de série Y, R2, Multi-S est celle indiquée ci-dessous.

⚠ Précaution :

L'utilisation du climatiseur en dehors de cette plage de températures de fonctionnement et de taux d'humidité peut provoquer des dégâts importants.

Mode	Appareil intérieur	Appareil extérieur		
		PUHY	PURY	PUMY
Refroidissement	15 °C à 24 °C WB	-5 °C à 46 °C DB	-5 °C à 46 °C DB	-5 °C à 46 °C DB
Chauffage	15 °C à 27 °C DB	-20 °C à 15,5 °C WB	-20 °C à 15,5 °C WB	-15 °C à 15 °C WB

Remarque : Tant pour les appareils intérieurs qu'extérieurs, nous recommandons une utilisation avec un taux d'humidité relative compris entre 30 et 80%.

⚠ Avertissement :

Si le climatiseur fonctionne sans refroidir ou sans chauffer la pièce (en fonction du modèle), contacter le revendeur car il pourrait alors y avoir une fuite de gaz réfrigérant. Toujours demander au représentant du service technique s'il n'y a pas de fuite de réfrigérant après une intervention technique.

Le réfrigérant présent dans le climatiseur est sûr et normalement il ne doit pas y avoir de fuite. Néanmoins, en cas de fuite à l'intérieur, si le gaz réfrigérant entre en contact avec la partie chauffante d'un chauffage à ventilation, d'un chauffage d'appoint, d'un poêle, etc., il dégagera des substances toxiques.

12. Spécifications techniques

Modèle		PKFY-P63VKM-E	PKFY-P100VKM-E
Alimentation de l'appareil (Tension <V>/Fréquence)	<Hz>	~N/220-230-240/50, 220/60	
Capacité (Refroidissement/Chauffage)	<kW>	7,1/8,0	11,2/12,5
Dimensions (Hauteur)	<mm>	365	
Dimensions (Largeur)	<mm>	1170	
Dimensions (Profondeur)	<mm>	295	
Poids net	<kg>	22	
Débit de la soufflerie (Faible-Élevé)	<m ³ /min>	16-20	20-25
Niveau de bruit (Faible-Élevé)	<dB>	39-43	41-49

Modèle		PLFY-P15VCM-E2	PLFY-P20VCM-E2	PLFY-P25VCM-E2	PLFY-P32VCM-E2	PLFY-P40VCM-E2
Alimentation de l'appareil (Tension <V>/Fréquence)	<Hz>	~N/220-230-240/50				
Capacité (Refroidissement/Chauffage)	<kW>	1,7/1,9	2,2/2,5	2,8/3,2	3,6/4,0	4,5/5,0
Dimensions (Hauteur)	<mm>	208 (20)				
Dimensions (Largeur)	<mm>	570 (650)				
Dimensions (Profondeur)	<mm>	570 (650)				
Poids net	<kg>	15,5 (3)			17,0 (3)	
Débit de la soufflerie (Faible-Moyen-Élevé)	<m ³ /min>	8-8,5-9	8-9-10		8-9-11	
Niveau de bruit (Faible-Moyen-Élevé)	<dB>	28-30-31	28-31-35	28-31-37	29-33-38	30-34-39

Modèle		PCFY-P40VKM-E	PCFY-P63KM-E	PCFY-P100KM-E	PCFY-P125KM-E
Alimentation de l'appareil (Tension <V>/Fréquence)	<Hz>	~N 220-230-240/50, 220/60			
Capacité (Refroidissement/Chauffage)	<kW>	4,5/5,0	7,1/8,0	11,2/12,5	14,0/16,0
Dimensions (Hauteur)	<mm>	230			
Dimensions (Largeur)	<mm>	960	1280	1600	
Dimensions (Profondeur)	<mm>	680			
Poids net	<kg>	24	32	36	38
Débit de la soufflerie (Faible-Moyen2-Moyen1-Élevé)	<m ³ /min>	10-11-12-13	14-15-16-18	21-24-26-28	21-24-27-31
Niveau de bruit (Faible-Moyen2-Moyen1-Élevé)	<dB>	29-32-34-36	31-33-35-37	36-38-41-43	36-39-42-44

*1 La capacité de refroidissement/chauffage indique la valeur maximale lorsque l'appareil fonctionne dans les conditions suivantes.

Refroidissement: appareil intérieur 27 °C DB/19 °C WB, appareil extérieur 35 °C DB

Chauffage: appareil intérieur 20 °C DB, appareil extérieur 7 °C DB/6 °C WB

*2 Les valeurs entre parenthèses correspondent au panneau.

Inhoud

1. Veiligheidsvoorschriften.....	62	7. Andere functies	72
2. Onderdelen.....	63	8. Functiekeuze	73
3. Schermconfiguratie	66	9. Noodbedrijf voor draadloze afstandsbediening.....	77
4. De dag van de week en de tijd instellen.....	66	10. Onderhoud en schoonmaken.....	77
5. Gebruik.....	66	11. Problemen en oplossingen.....	79
6. Timer	69	12. Specificaties	81

1. Veiligheidsvoorschriften

- ▶ Lees alle “Veiligheidsvoorschriften” voordat u het apparaat installeert.
- ▶ In de “Veiligheidsvoorschriften” staan belangrijke instructies met betrekking tot de veiligheid. Volg ze zorgvuldig op.
- ▶ Stel de aanleverende instantie op de hoogte of vraag om toestemming voordat u het systeem aansluit op het net.

Symbolen die in de tekst worden gebruikt

⚠ Waarschuwing:

Beschrijft maatregelen die genomen moeten worden om het risico van verwonding of dood van de gebruiker te voorkomen.

⚠ Voorzichtig:

Beschrijft maatregelen die genomen moeten worden om schade aan het apparaat te voorkomen.

Symbolen die in de afbeeldingen worden gebruikt

⚙ : Geeft een onderdeel aan dat geaard moet worden.

Opmerking:

De term “Bedrade afstandsbediening” in deze handleiding refereert aan de PAR-21MAA.

Zie de handleiding die bij deze dozen is geleverd voor meer informatie over de andere afstandsbediening.

⚠ Waarschuwing

- Deze apparaten zijn niet toegankelijk voor het grote publiek.
- Het apparaat mag niet door de gebruiker zelf worden geïnstalleerd. Vraag de zaak waar u het apparaat gekocht heeft of een erkend bedrijf om het apparaat te installeren. Als het apparaat niet juist is geïnstalleerd, kan dit lekkage, elektrische schokken of brand tot gevolg hebben.
- Ga niet op het apparaat staan en plaats geen voorwerpen op het apparaat.
- Zorg ervoor dat u geen water op het apparaat knoeit en raak het apparaat nooit met natte handen aan. Dit kan elektrische schokken tot gevolg hebben.
- Spuit niet met brandbaar gas in de buurt van het apparaat. Dit kan brand tot gevolg hebben.
- Zet geen gasverwarmingstoestel of een ander toestel met open vuur op een plaats waar het blootstaat aan de lucht die het apparaat uitblaast. Dit kan onvolledige verbranding tot gevolg hebben.
- Verwijder nooit de beschermkap van de ventilator in het buitenapparaat terwijl het apparaat aan staat.
- Probeer nooit zelf het apparaat te repareren of te verplaatsen.
- Wanneer u uitzonderlijk ongewone geluiden of vibraties bemerkt, zet dan het apparaat stil, schakel de elektriciteit uit en neem contact op met uw dealer.
- Steek nooit uw vingers, stokjes of iets dergelijks in de luchtinlaat- en -uitlaatopeningen.
- Als u iets vreemds ruikt, dient u het apparaat niet meer te gebruiken. Draai de schakelaar uit en raadpleeg uw dealer. Doet u dat niet, dan loopt u het risico van stroomonderbreking, elektrische schokken of brand.

⚠ Voorzichtig:

- Gebruik geen scherpe voorwerpen om de toetsen in te drukken - hiermee kunt u het bedieningspaneel beschadigen.
- Zorg ervoor dat de luchtinlaat- en -uitlaatopeningen van het binnen- of buitenapparaat nooit verstopt raken of afgedekt worden.
- Reinig de afstandsbediening nooit met benzine, oplosmiddelen etc.
- Gebruik de airconditioner niet langdurig in een omgeving met een hoge vochtigheidsgraad of een open deur of raam.

- Deze airconditioner is NIET bedoeld voor gebruik door kinderen of onbekwame personen die niet onder toezicht staan.
- Jonge kinderen moeten onder toezicht staan om te voorkomen dat ze met de airconditioning gaan spelen.
- Als het koelgas uit het apparaat geblazen wordt of lekt, zet dan de airconditioner stil, ventileer de kamer goed en neem contact op met uw dealer.
- Dit apparaat is niet bedoeld voor gebruik door personen (inclusief kinderen) met beperkte fysieke, zintuiglijke of mentale vermogens of een gebrek aan ervaring en kennis, tenzij ze onder toezicht staan of instructies van een persoon die verantwoordelijk is voor hun veiligheid volgen betreffende het gebruik van het apparaat.
- Gebruik bij het installeren of verplaatsen van het apparaat uitsluitend de voorgeschreven koelstof (R410A) voor het vullen van de koelstofpijpen. Meng de koelstof niet met andere koelstoffen en let erop dat er geen lucht in de pijpen achterblijft. Als de koelstof wordt gemengd met lucht, kan dit een uitzonderlijk hoge druk in de koelstofpijp tot gevolg hebben. Dit kan resulteren in explosiegevaar en andere gevaren. Als er een andere koelstof wordt gebruikt dan de voorgeschreven koelstof, heeft dit mechanische storingen, storingen van het systeem of uitvallen van het apparaat tot gevolg. In het ergste geval kan de veiligheid van het product ernstig in gevaar komen.

Bij langdurig gebruik in de koelfunctie in een kamer met een hoge vochtigheidsgraad (80% of hoger) zou condens van de airconditioner kunnen druppelen en het tapijt of meubelen kunnen beschadigen.

- Raak de schoep van de bovenste luchtuitlaat en de demper van de onderste luchtuitlaat niet aan als het apparaat in werking is. Dit kan condensvorming opleveren waardoor het apparaat stopt.

Het apparaat verwijderen

Raadpleeg de zaak waar u het apparaat gekocht heeft indien u zich van het apparaat wilt ontdoen.

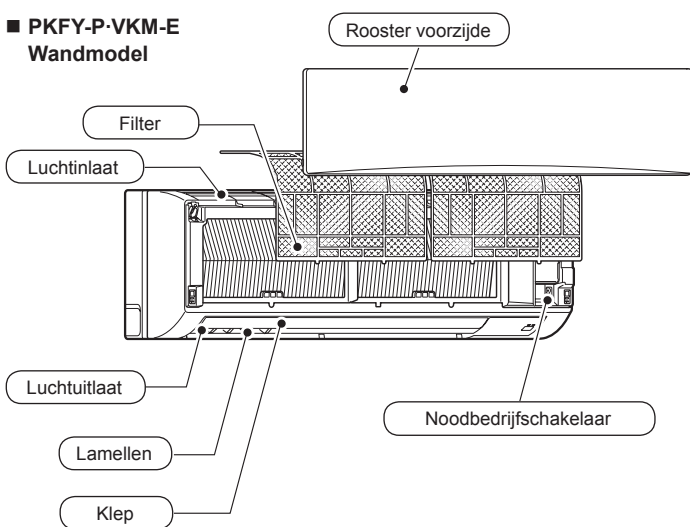
2. Onderdelen

■ Binnenunit

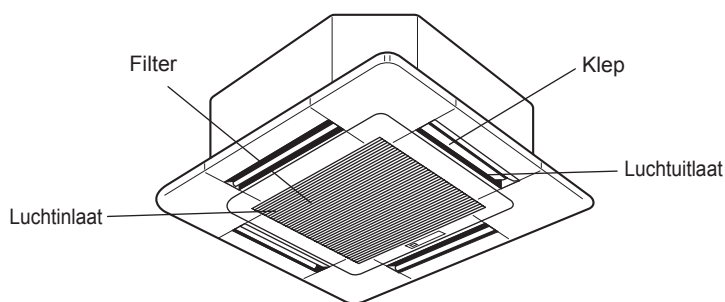
		PKFY-P-VKM-E	PLFY-P-VCM-E2	PCFY-P-VKM-E
Ventilatorsnelheid		2 snelheden	3 snelheden	4 snelheden + Auto*
Klep	Stappen	4 stappen	4 stappen	5 stappen
	Automatisch zwenken	○	○	○
Lamellen		Handmatig	—	Handmatig
Filter		Normaal	Lange levensduur	Met lange levensduur
Indicatie filter reinigen		100 uur	2.500 uur	2.500 uur

* Dit werkt alleen via de afstandsbediening waarmee u de ventilatorsnelheidinstelling kunt zetten op "Auto".

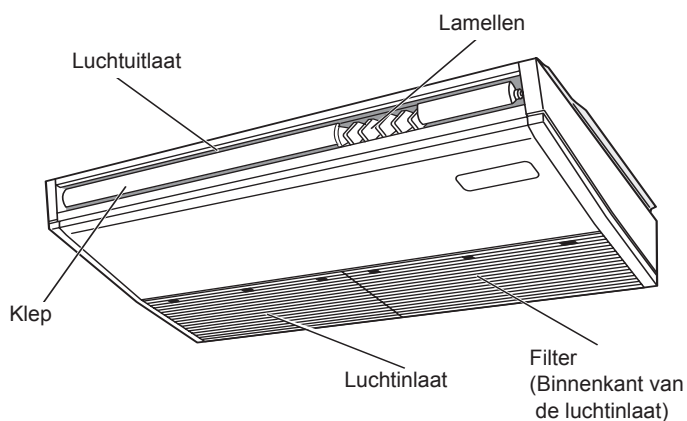
■ PKFY-P-VKM-E Wandmodel



■ PLFY-P-VCM-E2 4-weg-plafondcassette



■ PCFY-P-VKM-E Hangend aan plafond



2. Onderdelen

■ Voor de snoer afstandsbediening (optioneel onderdeel)

Weergave

In deze uitleg worden alle oplichtendelen van het display weergegeven. Tijdens de werking van het apparaat branden alleen de relevante onderdelen.

Huidige werking

Toont de bedrijfsstand, enz.
* Weergave in meerdere talen wordt ondersteund.

Indicator "Centrally Controlled" (Centrale bediening)

Geeft aan dat de werking van de afstandsbediening is uitgeschakeld door een centrale regeling.

Indicator "Timer Is Off" (Timer staat uit)

Geeft aan dat de timer is uitgeschakeld.

Temperatuurstelling

Toont de doeltemperatuur.

Dag van de week

Toont de huidige dag van de week.

Weergave Tijd/Timer

Toont de huidige tijd, tenzij de simple timer (enkelvoudige timer) of de Auto Off timer (automatische uitschakeling) is ingesteld. Als de enkelvoudige timer of automatische uitschakeling is ingesteld, wordt de resterende tijd weergegeven.

Indicator "Sensor"

Wordt weergegeven als de sensor op de afstandsbediening wordt gebruikt.

Indicator "Locking Function" (vergrendelen)

Geeft aan dat de knoppen of de afstandsbediening zijn vergrendeld.

Indicator "Filter reinigen"

Gaat branden als het filter moet worden gereinigd.

Timerindicatoren

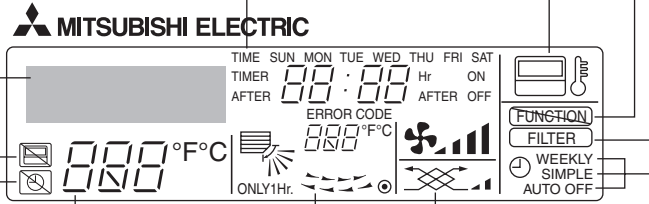
De indicator gaat branden als de bijbehorende timer is ingesteld.

Indicator Ventilatorsnelheid

Toont de gekozen ventilatorsnelheid.

Indicator Ventilatie

Verschijnt als de unit in de Ventilatiemodus draait.



Indicator Luchtstroomrichting naar boven/beneden

De indicator geeft de richting van de luchtuitstroom aan.

Indicator "One Hour Only" (Slechts een uur)

Wordt weergegeven als de luchtstroom is ingesteld op zwak en neerwaarts in de bedrijfsstand COOL of DRY (de werking verschilt al naargelang het model). De indicator schakelt na een uur uit, waarna de luchtstroomrichting naar boven/beneden ook verandert.

Weergave omgevingstemperatuur

SToont de omgevingstemperatuur. De kamertemperatuur wordt getoond tussen 8-39 °C. Het display gaat knipperen bij temperaturen lager dan 8 °C of hoger dan 39 °C.

Weergave lamellen

Toont de stand van het uitblaasrooster. Wordt niet weergegeven als het uitblaasrooster niet beweegt.

● (Indicator On)

Geeft aan dat de stroom is ingeschakeld.

Bediening

Toetsen voor temperatuurstelling

- ▽ Lager
- △ Hoger

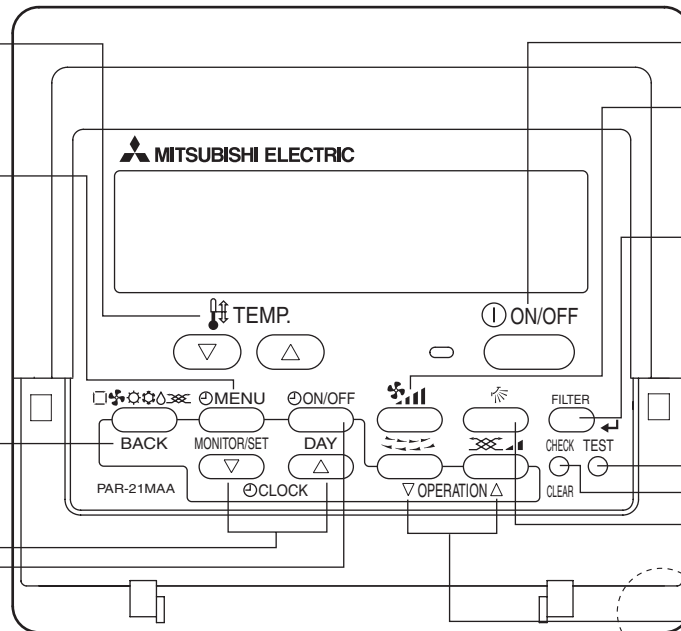
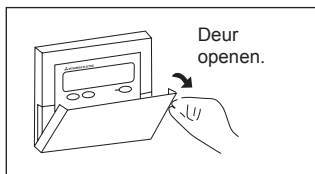
Knop Timermenu (Knop Tijd controleren/instellen)

Knop Bedrijfsstand (Knop Back)

Knoppen voor instellen tijd

- ▽ Achteruit
- △ Vooruit

Knop Timer On/Off (Knop Set Day)



Knop ON/OFF

Knop Ventilatorsnelheid

Knop Filter ← (knop ←)

Knop Test Run

Knop Check (Knop Clear)

Knop Luchtstroom naar boven/beneden

Knop Uitblaasrooster (knop Werking ▽)

▽ Vorige werkingsnummer.

Knop Ventilatie (knop Operation △)

△ Volgende werkingsnummer.

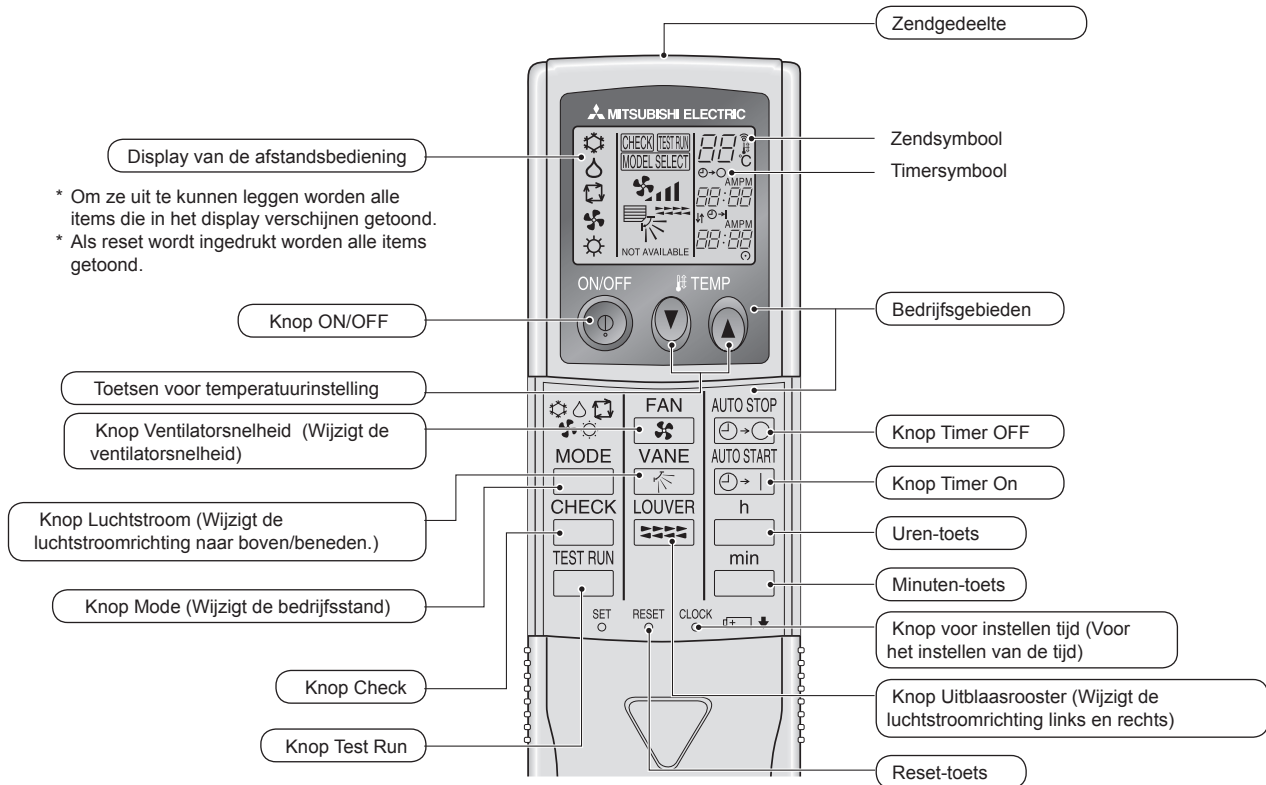
Ingebouwde temperatuursensor

Opmerking:

- Boodschap "PLEASE WAIT" (wachten a.u.b.)
Als het binnenapparaat op de voeding wordt aangesloten, wordt deze boodschap ongeveer 3 minuten getoond.
- Weergave bedrijfsstand (knipperend)
Als er meer binnenapparaten op één buitenapparaat zijn aangesloten en er voor een van de binnenapparaten een bedrijfsstand wordt geselecteerd die anders is dan de huidige bedrijfsstand van een ander binnenapparaat, gaat de weergave voor de bedrijfsstand knipperen. Selecteer dezelfde bedrijfsstand als voor het andere binnenapparaat.
- Boodschap "NOT AVAILABLE" (niet beschikbaar)
Deze boodschap wordt getoond als een toets wordt ingedrukt voor een functie die niet op het binnenapparaat beschikbaar is. Indien een enkele afstandsbediening voor meerdere binnenapparaten van verschillende modellen tegelijk wordt gebruikt, wordt deze boodschap niet getoond indien minstens één van de binnenapparaten over die functie beschikt.
- Weergave kamertemperatuur
Voor het meten van de kamertemperatuur kunt u de temperatuursensoren van het binnenapparaat of de temperatuursensor van de afstandsbediening selecteren. Standaard worden de temperatuursensoren van het binnenapparaat gebruikt. Als de temperatuursensoren van het binnenapparaat worden geselecteerd om de kamertemperatuur te meten, wordt op de afstandsbediening die wordt gebruikt voor de bediening van meerdere binnenapparaten de kamertemperatuur getoond die is gemeten bij het hoofdbinnenapparaat.

2. Onderdelen

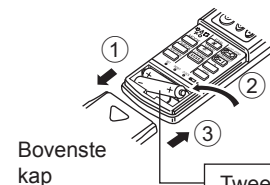
■ Voor de draadloze afstandsbediening (optioneel onderdeel)



- Indien u de draadloze afstandsbediening gebruikt, dient u deze in de richting te houden van de ontvanger op het binnenapparaat.
- Als u de afstandsbediening bedient binnen ongeveer twee minuten nadat het binnenapparaat op de voeding is aangesloten, laat het binnenapparaat mogelijk 2 keer een piepsignaal horen ten teken dat het apparaat de initiële automatische controle aan het uitvoeren is.
- Het binnenapparaat laat een piepsignaal horen om te bevestigen dat het uitgezonden signaal van de afstandsbediening is ontvangen. De signalen kunnen tot ongeveer 7 meter in een rechte lijn van het binnenapparaat worden ontvangen, binnen 45° links en rechts van het apparaat. Fluorescerende lampen en sterke verlichting kunnen het vermogen van het binnenapparaat om signalen te ontvangen echter verminderen.
- Als het bedrijfslampje bij de ontvanger op het binnenapparaat knippert, dient het apparaat te worden geïnspecteerd. Neem voor onderhoud contact op met uw leverancier.
- Wees voorzichtig met de afstandsbediening! Laat hem niet vallen en stel hem niet bloot aan harde schokken. Laat de afstandsbediening ook niet nat worden en laat hem ook niet in ruimtes met een hoog vochtigheidsgehalte.
- Om te voorkomen dat de afstandsbediening kwijt raakt, kunt u de houder die bij de afstandsbediening wordt meegeleverd aan een wand monteren en de afstandsbediening hier na gebruik steeds in terug plaatsen.

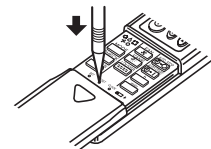
Aanbrengen/vervangen van de batterijen

1. Verwijder de bovenste kap, breng twee AAA-batterijen aan en breng de bovenste kap weer aan.



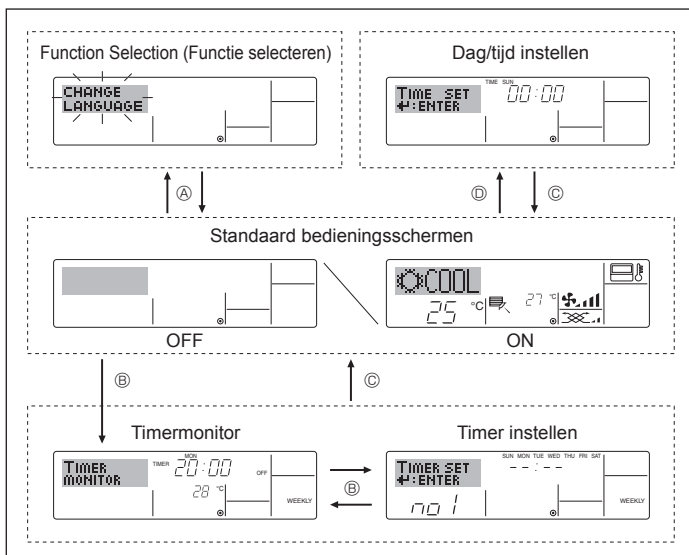
Twee AAA-batterijen
Breng eerst de negatieve pool (-) van de batterijen in de houder. Plaats de batterijen in de juiste richting (+, -)!

2. Druk op reset.



Gebruik een voorwerp met een smalle punt om op reset te drukken.

3. Schermconfiguratie



<Schermtypen>

De displaytaal kan niet worden ingesteld op Nederlands. Daarom wordt de oorspronkelijk ingestelde taal, Engels, weergegeven op de displays in deze handleiding.

- **Function Selection (Funcie selecteren):** de beschikbare functies en bereiken instellen op de afstandsbediening (timerfuncties, beperkingen, enz.).
- **Dag/tijd instellen:** de huidige dag van de week of tijd instellen.
- **Standaard bedieningsschermen:** de werkingsstatus van het airconditioningsysteem weergeven en instellen.
- **Timermonitor:** de momenteel ingestelde timer weergeven (schakelklok, enkelvoudige timer of automatisch uitschakelen).
- **Timer instellen:** de werking van de timers instellen (schakelklok, enkelvoudige timer of automatisch uitschakelen).

<Het scherm wijzigen>

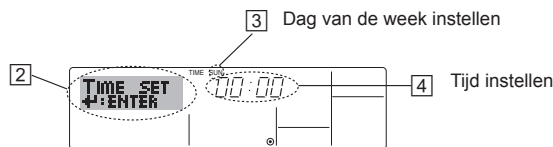
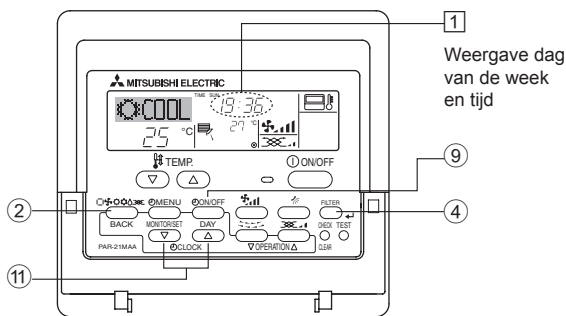
Naar ① : houd zowel de knop Bedrijfsstand als Timer On/Off 2 seconden lang ingedrukt.

Naar ② : druk op de knop Timer Menu.

Naar ③ : druk op de knop Bedrijfsstand (Back).

Naar ④ : druk op een van de knoppen Set Time (▽ of △).

4. De dag van de week en de tijd instellen

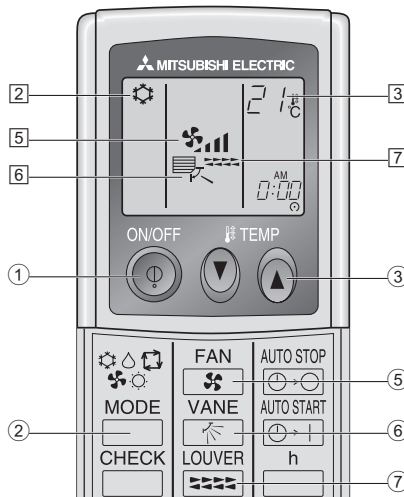
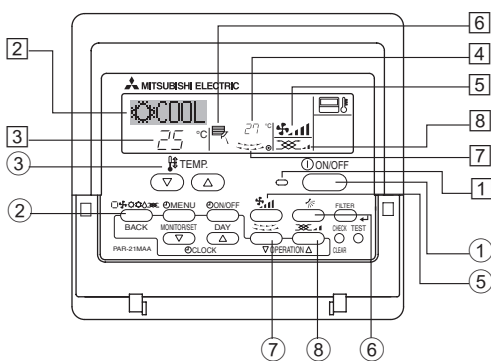


1. Druk op ▽ of op △ van Set Time ① zodat ② wordt weergegeven.
2. Druk op Timer On/Off (Set Day) ⑨ om de dag in te stellen.
* Met elke druk op de knop schuift de weergegeven dag bij ③ een dag op: Sun → Mon → ... → Fri → Sat (Zo, ma, vr, za).
3. Druk zo vaak als nodig is op Set Time ① om de tijd in te stellen.
* Als u de knop ingedrukt houdt, neemt de tijd (bij ④) eerst toe in minuten, dan met een interval van tien minuten en tenslotte met een interval van een uur.
4. Nadat u bij de stappen 2 en 3 de juiste instellingen hebt ingevoerd, drukt u op Filter ← ④ om de waarden te vergrendelen.

Opmerking:

De dag en tijd worden niet weergegeven als de klok is uitgeschakeld bij Function Selection.

5. Gebruik



5.1. ON/OFF (AAN/UIT)-zetten

<De werking starten>

■ Druk op ON/OFF ①.

- Het ON-lampje ① gaat aan en het schermgebied licht op.

Opmerking:

● Nadat de unit opnieuw is gestart, zijn dit de begininstellingen.

		Instellingen op de afstandsbediening	
Modus		Laatste bedrijfsstand	
Temperatuurinstelling		Laatste temperatuurinstelling	
Ventilatorsnelheid		Laatste ventilatorinstelling	
Luchtstroom naar boven/beneden	Modus	COOL of DRY	Laatste instelling
		HEAT	Laatste instelling
		FAN	Laatste instelling

<De werking stoppen>

■ Druk nogmaals op ON/OFF ①.

- Het ON-lampje ① gaat uit en het scherm wordt donker.

Opmerking:

Zelfs als u direct na het uitschakelen op de ON/OFF (AAN/UIT)-knop drukt, zal het apparaat pas na ongeveer drie minuten weer starten. Dit is om te voorkomen dat interne onderdelen schade oplopen.

5. Gebruik

<De werking stoppen>

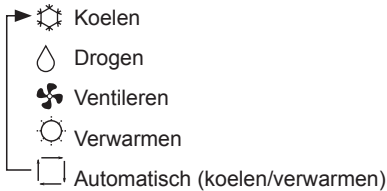
- Druk nogmaals op ON/OFF ①.
 - Het ON-lampje ① gaat uit en het schermgebied wordt donker.

Opmerking:

Zelfs als u direct op de ON/OFF (AAN/UIT)-toets drukt nadat u de airconditioner net uitgeschakeld hebt, zal het apparaat voor ongeveer drie minuten niet starten. Dit is om te voorkomen dat interne onderdelen schade oplopen.

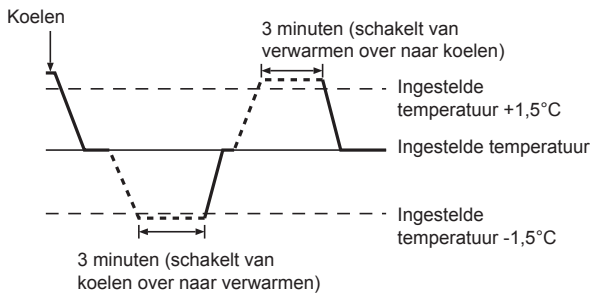
5.2. Kiezen van de bedrijfsstand

- Druk op knop Operation mode (☐☐☐☐☐) ② en kies de gewenste bedrijfsstand ③.



Automatisch bedrijf

- Uitgaande van een ingestelde temperatuur, begint het koelbedrijf als de ruimtetemperatuur te hoog is en begint het verwarmingsbedrijf als de ruimtetemperatuur te laag is.
- Bij automatisch bedrijf schakelt de airconditioner over naar koelen als de ruimtetemperatuur verandert en 3 minuten lang minstens 1,5 °C boven de ingestelde temperatuur blijft. Op dezelfde wijze schakelt de airconditioner over naar verwarmen als de ruimtetemperatuur 3 minuten lang minstens 1,5 °C onder de ingestelde temperatuur blijft.



- Aangezien de ruimtetemperatuur automatisch wordt geregeld om een vaste effectieve temperatuur te behouden, wordt het koelbedrijf een paar graden hoger en het verwarmingsbedrijf een paar graden lager uitgevoerd dan de ingestelde ruimtetemperatuur, zodra die temperatuur is bereikt (automatisch energiebesparend bedrijf).

5.3. Temperatuurinstelling

► Om de kamertemperatuur te verlagen:

Druk op ③ om de gewenste temperatuur in te stellen. De ingestelde temperatuur wordt weergegeven ③.

► Om de kamertemperatuur te verhogen:

Druk op ③ om de gewenste temperatuur in te stellen. De ingestelde temperatuur wordt weergegeven ③.

- Het beschikbare temperatuurbereik dat ingesteld kan worden is:
 - Koelen & Drogen: 19 - 30 °C
 - Verwarmen: 17 - 28 °C
 - Automatisch: 19 - 28 °C
- Het display knippert op 8 °C of op 39 °C ten teken dat de kamertemperatuur onder 8 °C of boven 39 °C ligt.

5.4. Instelling ventilatorsnelheid

- Druk, als de unit is ingeschakeld, zo vaak op de knop voor de ventilatiesnelheid ⑤ als nodig is.
 - Met elke druk op de knop wijzigt u de kracht. De momenteel geselecteerde snelheid wordt weergegeven bij ⑤.
 - Dit is de wijzigingsvolgorde en de beschikbare instellingen.

VENTILATORSNELHEID	Display
Model met 2 snelheden	snelheden 1 → snelheden 2
Model met 3 snelheden	snelheden 1 → snelheden 2 → snelheden 3
4 snelheden + Auto*	snelheden 1 → snelheden 2 → snelheden 3 → snelheden 4 → Auto

* Uitsluitend voor MA afstandsbediening.

Automatische ventilatorsnelheidinstelling is nodig voor draadloze afstandsbediening.

Opmerking:

- Het aantal ventilatorsnelheden is afhankelijk van het type unit dat is aangesloten. Sommige units bevatten geen instelling "Auto".
- In de volgende gevallen verschilt de daadwerkelijke ventilatorsnelheid van de snelheid die op het display van de afstandsbediening wordt aangegeven.
 1. Als op het display "STAND BY" of "DEFROST" wordt getoond.
 2. Als de temperatuur van de warmtewisselaar in de verwarmingsstand laag is. (bijvoorbeeld onmiddellijk na het starten van het verwarmingsbedrijf)
 3. In de modus HEAT, als de omgevingstemperatuur hoger is dan de ingestelde temperatuur.
 4. Als de unit in de modus DRY staat.

- Automatische windsnelheidsinstelling (voor draadloze afstandsbediening)
 - U hoeft alleen de draadloze afstandsbediening te gebruiken als de windsnelheid niet automatisch ingesteld is als standaardinstelling. Het is niet nodig de automatische afstandsbediening te gebruiken als de windsnelheid automatisch is ingesteld als standaardinstelling.

① Druk op de toets SET met een puntig voorwerp.

Voer dit uit als de display van de afstandsbediening uitstaat.

knippert en het modelnummer licht op ①.

② Druk op de toets AUTO STOP .

knippert en het instellingsnummer licht op ②.

(Instelling Nr. 01: zonder automatische windsnelheid)

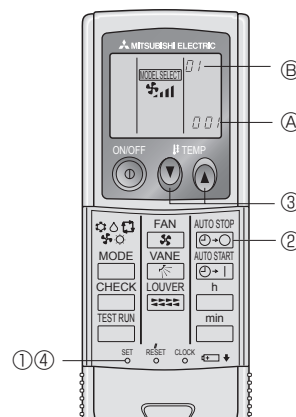
③ Druk op de temp. toetsen voor instelling nr. 02.

(Instelling Nr. 02 met automatische windsnelheid)

Als u de uitvoering verkeerd heeft begrepen, druk dan op de ON/OFF ④ en begin de uitvoering opnieuw vanaf procedure ②.

④ Druk op de toets SET met een puntig voorwerp.

en modelnummer lichten gedurende 3 seconden op en worden daarna uitgeschakeld.



5. Gebruik

5.5. Instellen van luchtstroomrichting naar boven/beneden

<De richting van de luchtstroom wijzigen naar beneden of naar boven>

- Druk, als de unit is ingeschakeld, zo vaak op de knop Luchtstroomrichting naar boven/beneden ⑥ als nodig is.
 - Met elke druk op de knop wijzigt u de richting. De huidige richting wordt weergegeven bij ⑥.
 - Dit is de wijzigingsvolgorde en de beschikbare instellingen.

Luchtstroom	Display
Model met 4 stappen	
Model met 5 stappen *1	

- * Tijdens de "swing"-handeling wijzigt de richtingsindicatie op het scherm niet synchroon met de richting van de ventilatorbladen.
- * Op sommige modellen worden richtingsaanduidingen niet ondersteund.
- *1 Alleen voor MA-afstandsbediening, andere afstandsbedieningen geven hetzelfde weer als het 4 stappenmodel.
- *2 Instelling van de richting van de luchtstroom <Auto>
 COOL/FAN/DRY : Instelling 1 (Horizontaal),
 HEAT : Instelling 5 (Naar beneden 5)

Opmerking:

- De beschikbare richtingen zijn afhankelijk van het type unit dat is aangesloten. Sommige units bevatten geen instelling "Auto".
- In de volgende gevallen verschilt de daadwerkelijke luchtrichting van de richting die op het display van de afstandsbediening wordt aangegeven.
 1. Als op het display "STAND BY" of "DEFROST" wordt getoond.
 2. Direct na het starten van de modus HEAT (als het systeem wacht tot de bedrijfsstandwijziging van kracht wordt).
 3. In de modus HEAT, als de omgevingstemperatuur hoger is dan de ingestelde temperatuur.

<[Handmatig] De richting van de luchtstroom wijzigen naar links of naar rechts>

- * De toets voor lamellen ⑦ kan niet worden gebruikt.

■ Model PKFY-P-VKM-E

- Stop het apparaat, houd de hendel van de lamellen vast en stel de gewenste richting in.
- * Stel de richting niet naar binnen in als het apparaat in de modus koelen of drogen staat omdat dat kan leiden tot condensatie of druppelen.



⚠ **Voorzichtig:**

Zorg voor een stevige ondersteuning als u het apparaat bedient om vallen te voorkomen.

5.6. Ventilatie

► Voor de LOSSNAY-combinatie

5.6.1. Voor de snoer afstandsbediening

- De ventilator in combinatie met de binnenunit laten werken:
 - Druk op ON/OFF ①.
 - De indicatie Vent wordt weergegeven op het scherm (bij ⑧). De ventilator werkt nu automatisch als de binnenunit is ingeschakeld.
- De ventilator alleen laten werken als de binnenunit is uitgeschakeld:
 - Druk, terwijl de binnenunit is uitgeschakeld, op Ventilation ②.
 - Het ON-lampje (bij ⑨) gaat aan en de indicatie Ventilation (bij ⑧) licht op.
- De ventilatorcracht wijzigen:
 - Druk, voor zover nodig, op Ventilation ②.
 - Met elke druk op de knop schakelt u tussen de verschillende instellingen, zoals hieronder vermeld.



Opmerking:

- Bij sommige modelconfiguraties draait de ventilator op de binnenunit zelfs als u de ventilator zo instelt dat deze onafhankelijk draait.

6. Timer

6.1. Voor de snoer afstandsbediening

Met behulp van Function Selection kunt u aangeven welk van de drie typen timers u wilt gebruiken: ① Weekly timer (schakelklok), ② Simple timer (enkelvoudige timer) of ③ Auto Off timer (automatisch uitschakelen).

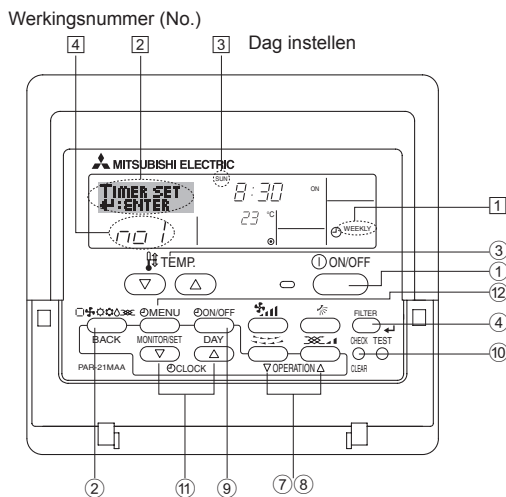
6.1.1. Weekly Timer (Schakelklok)

- Met de schakelklok kunt u maximaal acht handelingen opgeven voor elke dag van de week.
 - Elke handeling kan bestaan uit: aan/uit-tijd in combinatie met een temperatuur, alleen de aan/uit-tijd of alleen de temperatuur.
 - Als de huidige tijd op de ingestelde tijd van deze timer komt, wordt de op de timer ingestelde handeling op de airconditioner uitgevoerd.
- De minimale tijd die u kunt instellen op de timer is 1 minuut.

Opmerking:

- *1. De schakelklok, enkelvoudige timer en automatisch uitschakelen kunnen niet tegelijkertijd worden gebruikt.
- *2. De schakelklok werkt niet als aan een van de volgende voorwaarden is voldaan.

De timerfunctie is uitgeschakeld; het systeem bevindt zich in een abnormale staat; er is een testrun gaande; op de afstandsbediening wordt een zelftest of controle uitgevoerd; de gebruiker schakelt op dit moment een functie of timer in of stelt de huidige dag van de week of de tijd in; het systeem wordt centraal bestuurd. (Op het systeem worden met name geen handelingen uitgevoerd (unit aan, unit uit, temperatuur instellen) die tijdens deze omstandigheden zijn uitgeschakeld.)



<Schakelklok instellen>

1. Zorg dat u het standaard bedieningsscherm voor u hebt en dat de indicator van de schakelklok ① op het display wordt weergegeven.
2. Druk op Timer Menu ②, zodat "Set Up" op het scherm verschijnt (bij ②). (Met elke druk op de knop schakelt u tussen "Set Up" en "Monitor".)
3. Druk op Timer On/Off (Set Day) ③ om de dag in te stellen. Met elke druk op de knop schuift de weergegeven dag bij ③ een dag op, in de onderstaande volgorde: "Sun Mon Tues Wed Thurs Fri Sat" → "Sun" → ... → "Fri" → "Sat" → "Sun Mon Tues Wed Thurs Fri Sat" ...
4. Druk zo vaak als nodig op de bedieningsknoppen ∇ of △ (⑦ of ⑧) om het juiste werkingsnummer te selecteren (1 tot en met 8) ④.
 - * Door middel van uw keuze bij de stappen 3 en 4 wordt een van de cellen uit de onderstaande matrix geselecteerd (op het display van de afstandsbediening links wordt weergegeven wat op het display komt te staan als u Operation 1 voor Sunday (Werking 1 voor zondag) op de onderstaande matrix instelt).

Instellingmatrix

Op No.	Zondag	Maandag	...	Zaterdag
No. 1	• 8:30 • ON • 23 °C			
No. 2	• 10:00 • OFF	• 10:00 • OFF	• 10:00 • OFF	• 10:00 • OFF
...				
No. 8				

<Operation 1-instellingen voor zondag>
Start de airconditioner om 8.30 uur, met een ingestelde temperatuur van 23 °C.

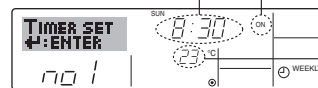
<Operation 2-instellingen voor elke dag>
Zet de airconditioner uit om 10.00 uur.

Opmerking:

Als u de dag instelt op "Sun Mon Tues Wed Thurs Fri Sat", kunt u elke dag dezelfde handelingen laten uitvoeren op dezelfde tijd. (Bijvoorbeeld: Operation 2 hierboven, die voor alle dagen van de week gelijk is.)

<Schakelklok instellen>

De ingestelde tijd ⑤ ⑥ De geselecteerde handeling (ON of OFF)
* Wordt niet weergegeven als de handeling niet is ingesteld.



De ingestelde temperatuur
* Wordt niet weergegeven als de temperatuur niet is ingesteld.

5. Druk zo vaak als nodig op de betreffende Set Time-knop ⑤ om de gewenste tijd in te stellen (bij ⑤).
 - * Als u de knop ingedrukt houdt, neemt de tijd eerst toe in minuten, dan met een interval van tien minuten en tenslotte met een interval van een uur.
6. Druk op ON/OFF ① om de gewenste handeling te selecteren (ON of OFF), bij ⑥.
 - * Met elke druk op de knop wijzigt de volgende instelling, in de onderstaande volgorde: geen weergave (geen instelling) → "ON" → "OFF"

6. Timer

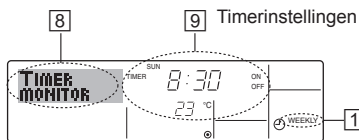
- Druk zo vaak als nodig op de betreffende Set Temperature-knop ③ om de gewenste temperatuur in te stellen (bij ⑦).
 - * Met elke druk op de knop wijzigt u de instelling, in de onderstaande volgorde: geen weergave (geen instelling) ⇔ 24 ⇔ 25 ⇔ ... ⇔ 29 ⇔ 30 ⇔ 12 ⇔ ... ⇔ 23 ⇔ geen weergave. (Beschikbaar bereik: het instellingsbereik varieert van 12 °C tot 30 °C. Het daadwerkelijke bereik voor de temperatuurregeling is echter afhankelijk van het type unit dat is aangesloten.)
- Nadat u bij de stappen 5, 6 en 7 de juiste instellingen hebt ingevoerd, drukt u op Filter ④ om de waarden te vergrendelen. Als u de huidige reeks waarden voor de geselecteerde handeling wilt verwijderen, drukt u eenmaal op Check (Clear) ⑩ en laat deze snel weer los.
 - * De weergegeven tijd verandert in “—:—” en de instellingen On/Off en temperatuur verdwijnen allemaal. (Als u alle schakelklokinstellingen in een keer wilt wissen, houdt u Check (Clear) ⑩ 2 seconden of langer ingedrukt. Het display begint te knipperen ter aanduiding dat alle instellingen zijn gewist.)

Opmerking:

De nieuwe waarden worden geannuleerd als u op de knop Bedrijfsstand (Back) ② drukt voordat u op Filter ④ hebt gedrukt. Als u twee of meer verschillende handelingen voor precies dezelfde tijd hebt ingesteld, wordt alleen de handeling met het hoogste Operation No. uitgevoerd.

- Herhaal, indien nodig, de stappen 3 tot en met 8, om alle gewenste cellen te vullen.
- Druk op de knop Bedrijfsstand (Back) ② om terug te keren naar het standaard bedieningsscherm en de instelprocedure te voltooien.
- Voor het activeren van de timer drukt u op Timer On/Off ⑨, zodat de indicatie “Timer Off” van het scherm verdwijnt. **Controleer of de indicatie “Timer Off” niet langer wordt weergegeven.**
 - * Als er geen timerinstellingen meer zijn, knippert de indicatie “Timer Off” op het scherm.

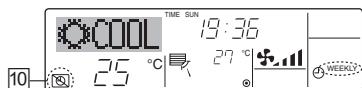
<Schakelklokinstellingen weergeven>



- Controleer dat de schakelklokindicator zichtbaar is op het scherm (bij ①).
- Druk op Timer Menu ②, zodat “Monitor” op het scherm verschijnt (bij ⑧).
- Druk zo vaak als nodig op Timer On/Off (Set Day) ⑨ om de dag weer te geven waarvan u de instellingen wilt bekijken.
- Druk zo vaak als nodig op de bedieningsknoppen ∇ of △ (⑦ of ⑧) om het juiste werkingsnummer op het display weer te geven (bij ⑨).
 - * Met elke druk op de knop wordt geschakeld naar de volgende timerhandeling, in volgorde van de ingestelde tijd.
- Als u de monitor wilt sluiten en terug wilt keren naar het standaard bedieningsscherm drukt u op de knop Bedrijfsstand (Back) ②.

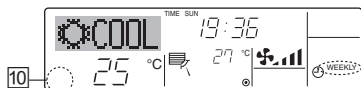
<De schakelklok uitschakelen>

Druk op Timer On/Off ⑨, zodat de indicatie “Timer Off” verschijnt bij ⑩.



<De schakelklok inschakelen>

Druk op Timer On/Off ⑨, zodat de indicatie “Timer Off” donker wordt (bij ⑩).



6.1.2. Simple Timer (Enkelvoudige timer)

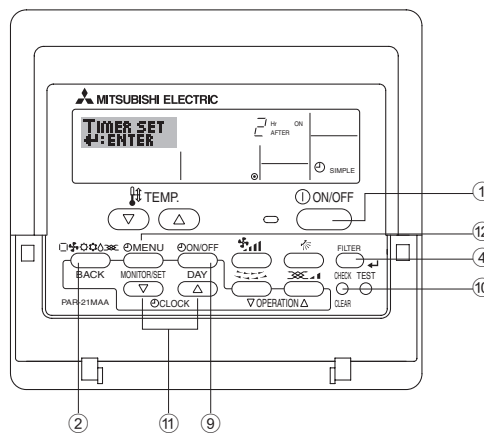
■ U kunt de enkelvoudige timer op drie manieren instellen.

- Alleen begintijd: de airconditioner wordt ingeschakeld als de ingestelde tijd is verstreken.
- Alleen eindtijd: de airconditioner wordt uitgeschakeld als de ingestelde tijd is verstreken.
- Begin- en eindtijden: de airconditioner wordt in- en uitgeschakeld als de ingestelde tijdstippen zijn verstreken.

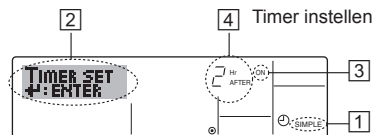
■ De enkelvoudige timer (starten en stoppen) kan slechts eenmaal binnen een periode van 72 uur worden ingesteld. De tijd kan worden ingesteld in intervallen van een uur.

Opmerking:

- De schakelklok, enkelvoudige timer en automatisch uitschakelen kunnen niet tegelijkertijd worden gebruikt.
- De enkelvoudige timer werkt niet als aan een van de volgende voorwaarden is voldaan. De timerfunctie is uitgeschakeld; het systeem bevindt zich in een abnormale staat; er is een testrun gaande; op de afstandsbediening wordt een zelftest of diagnose uitgevoerd; de gebruiker stelt op dit moment een functie in; het systeem wordt centraal bestuurd. (Onder deze voorwaarden is de On/Off-handeling uitgeschakeld.)



<Enkelvoudige timer instellen>



- Zorg dat u het standaard bedieningsscherm voor u hebt en dat de indicator van de enkelvoudige timer ① op het display wordt weergegeven. Als niet de enkelvoudige timer wordt weergegeven, maar iets anders, stelt u de SIMPLE TIMER in via Function Selection (zie 8.[4]-3 (3)) timerfunctie inschakelen.
- Druk op Timer Menu ②, zodat “Set Up” op het scherm verschijnt (bij ②). (Met elke druk op de knop schakelt u tussen “Set Up” en “Monitor”.)
- Druk op ON/OFF ① om de huidige instelling van de enkelvoudige timer weer te geven (ON of OFF). Druk eenmaal op de knop om de resterende tijd voor ON weer te geven en druk dan nogmaals op de knop om de resterende tijd voor OFF weer te geven. (de indicatie ON/OFF ziet u bij ③).
 - “ON”-timer: de airconditioner wordt ingeschakeld als het opgegeven aantal uren is verstreken.
 - “OFF”-timer: de airconditioner wordt uitgeschakeld als het opgegeven aantal uren is verstreken.
- “ON” of “OFF” wordt weergegeven bij ③: Druk zo vaak als nodig op de betreffende Set Time-knop ① om de uren ON in te stellen (als “ON” wordt weergegeven) of de uren OFF (als “OFF” wordt weergegeven bij ④).
 - Beschikbaar bereik: 1 tot 72 uur
- Als u zowel de ON- als de OFF-tijden wilt instellen, herhaalt u de stappen 3 en 4.
 - * De ON- en OFF-tijden kunnen echter niet op dezelfde waarde worden ingesteld.
- Zo wist u de huidige ON- of OFF-instelling: Geef de ON- of OFF-instelling weer (zie stap 3) en druk vervolgens op Check (Clear) ⑩ zodat de tijd op “—” komt te staan bij ④. (Wilt u alleen een ON-instelling of alleen een OFF-instelling gebruiken, controleer dan of de instelling die u niet wilt gebruiken als “—” wordt weergegeven.)

6. Timer

7. Nadat u de stappen 3 tot en met 6 hebt ingevoerd, drukt u op Filter ◀
④ om de waarden te vergrendelen.

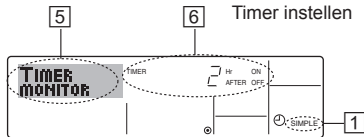
Opmerking:

De nieuwe waarden worden geannuleerd als u op de knop Bedrijfsstand (Back) ② drukt voordat u op Filter ◀ ④ hebt gedrukt.

8. Druk op de knop Bedrijfsstand (Back) ② om terug te keren naar het standaard bedieningsscherm.

9. Druk op Timer On/Off ⑨ om het aftellen te starten. Als de timer aftelt, is de waarde zichtbaar op het display. **Controleer of de timerwaarde zichtbaar en goed wordt weergegeven.**

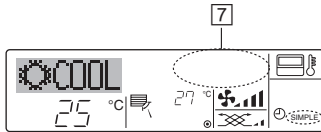
<De huidige instellingen van de enkelvoudige timer weergeven>



1. Controleer dat de indicator van de enkelvoudige timer zichtbaar is op het scherm (bij ⑤).
2. Druk op Timer Menu ②, zodat "Monitor" op het scherm verschijnt (bij ⑥).
 - Als de ON- of OFF-enkelvoudige timer wordt uitgevoerd, verschijnt de huidige timerwaarde bij ⑥.
 - Als zowel de ON- als de OFF-waarden zijn ingesteld, worden de beide waarden om en om weergegeven.
3. Druk op de knop Bedrijfsstand (Back) ② om de monitorweergave te sluiten en terug te keren naar het standaard bedieningsscherm.

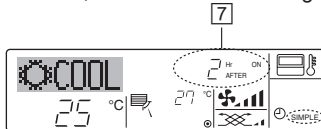
<De enkelvoudige timer uitschakelen...>

Druk op Timer On/Off ⑨, zodat de timerinstelling niet meer op het scherm wordt weergegeven (bij ⑦).



<De enkelvoudige timer starten...>

Druk op Timer On/Off ⑨, zodat de timerinstelling verschijnt bij ⑦.

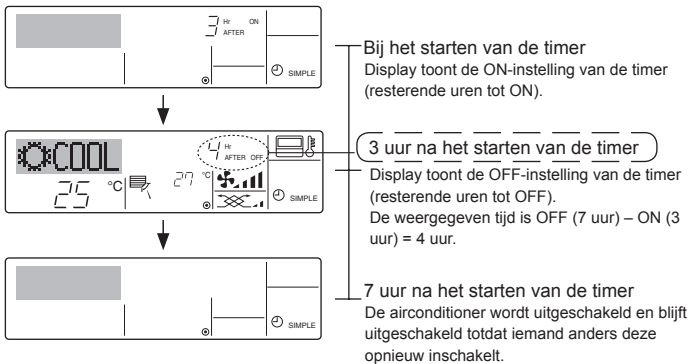


Voorbeelden

Als zowel de ON- als de OFF-tijden zijn ingeschakeld voor de enkelvoudige timer, is de werking en weergave als volgt.

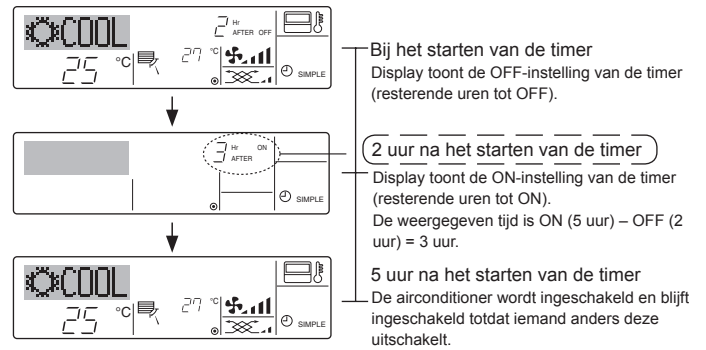
Voorbeeld 1:

Start de timer, waarbij de ON-tijd vroeger is dan de OFF-tijd
ON-instelling: 3 uur
OFF-instelling: 7 uur



Voorbeeld 2:

Start de timer, waarbij de OFF-tijd vroeger is dan de ON-tijd
ON-instelling: 5 uur
OFF-instelling: 2 uur

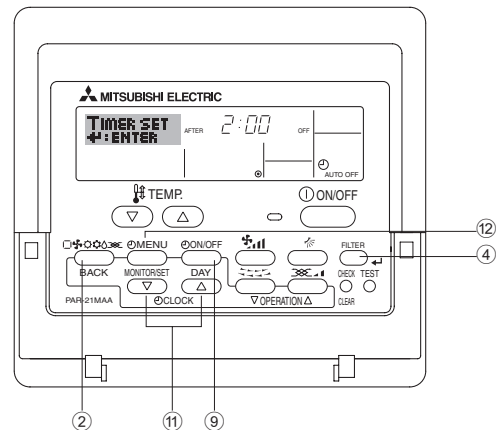


6.1.3. Auto Off Timer (Automatisch-uitschakelen)

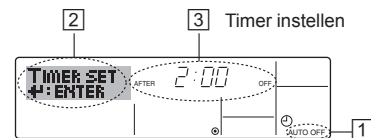
- Deze timer begint met aftellen als de airconditioner wordt ingeschakeld en schakelt de airconditioner uit als de ingestelde tijd is verstreken.
- De beschikbare instellingen variëren van 30 minuten tot 4 uur, met intervallen van 30 minuten.

Opmerking:

- *1. De schakelklok, enkelvoudige timer en automatisch uitschakelen kunnen niet tegelijkertijd worden gebruikt.
- *2. De Auto Off-timer werkt niet als aan een van de volgende voorwaarden is voldaan.
De timerfunctie is uitgeschakeld; het systeem bevindt zich in een abnormale staat; er is een testrun gaande; op de afstandsbediening wordt een zelftest of diagnose uitgevoerd; de gebruiker stelt op dit moment een functie in; het systeem wordt centraal bestuurd. (Onder deze voorwaarden is de On/Off-handeling uitgeschakeld.)



<Auto Off-timer instellen>



1. Zorg dat u het standaard bedieningsscherm voor u hebt en dat de indicator van de Auto Off-timer (bij ①) op het display wordt weergegeven.
Als automatisch uitschakelen niet wordt weergegeven, maar iets anders, stelt u de AUTO OFF TIMER in via Function Selection (zie 8.[4]-3 (3)) timerfunctie inschakelen.
2. Houd Timer Menu ③ 3 seconden lang ingedrukt, zodat "Set Up" op het scherm verschijnt (bij ②).
(Met elke druk op de knop schakelt u tussen "Set Up" en "Monitor".)
3. Druk zo vaak als nodig op de betreffende Set Time-knop ① om de OFF-tijd in te stellen (bij ③).
4. Druk op Filter ◀ ④ om de instelling te vast te zetten.

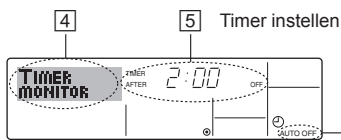
Opmerking:

De nieuwe waarde wordt geannuleerd als u op de knop Bedrijfsstand (Back) ② drukt voordat u op Filter ◀ ④ hebt gedrukt.

5. Druk op de knop Bedrijfsstand (Back) ② om de instelprocedure af te sluiten en terug te keren naar het standaard bedieningsscherm.
6. Als de airconditioner al aan staat, begint de timer direct met aftellen. **Controleer dat de instelling van de timer correct wordt weergegeven op het display.**

6. Timer

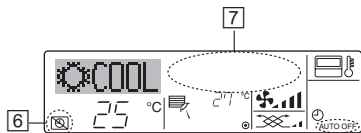
<De instelling van de Auto Off-timer controleren>



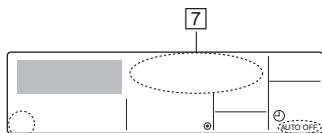
1. Controleer dat "Auto Off" zichtbaar is op het scherm (bij 1).
2. Houd Timer Menu 3 3 seconden lang ingedrukt, zodat "Monitor" op het scherm verschijnt (bij 4).
 - De tijd tot uitschakeling ziet u staan bij 5.
3. Als u de monitor wilt sluiten en terug wilt keren naar het standaard bedieningsscherm drukt u op de knop Bedrijfsstand (Back) 2.

<De Auto-Off timer uitschakelen...>

- Houd Timer On/Off 3 3 seconden lang ingedrukt, zodat "Timer Off" op het scherm verschijnt (bij 6) en de timerwaarde (bij 7) verdwijnt.

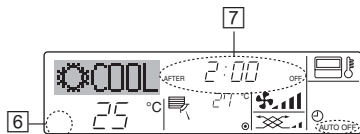


- Of zet de airconditioner zelf uit. De timerwaarde (bij 7) verdwijnt van het scherm.

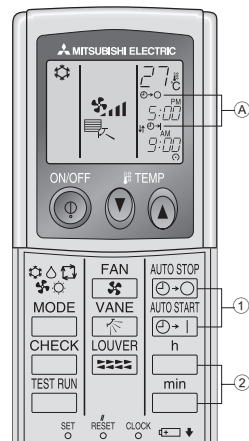


<De Auto-Off timer starten...>

- Houd Timer On/Off 3 3 seconden lang ingedrukt. De indicatie "Timer Off" verdwijnt (bij 6) en de timerinstelling licht (bij 7) op het display op.
- Of zet de airconditioner aan. De timerwaarde wordt weergegeven bij 7.



6.2. Voor de draadloze afstandsbediening



- 1 Druk de of -toets in (TIMER SET).
 - De tijd kan worden ingesteld als het volgende symbool knippert.
 - OFF (UIT)-timer: knippert.
 - ON (AAN)-timer: knippert.
 - 2 Gebruik de (Uren) en (Minuten)-toetsen om de gewenste tijd in te stellen.
 - 3 De timer annuleren.
 - Om de OFF (UIT)-timer te annuleren, druk op .
 - Om de ON (AAN)-timer te annuleren, druk op .
- Het is mogelijk om de OFF en ON timers te combineren.
- Als de timer ingesteld is kunt u om het apparaat te stoppen op op de afstandsbediening drukken om de timers te annuleren.
- Als de huidige tijd niet is ingesteld, kan de timerfunctie niet worden gebruikt.

7. Andere functies

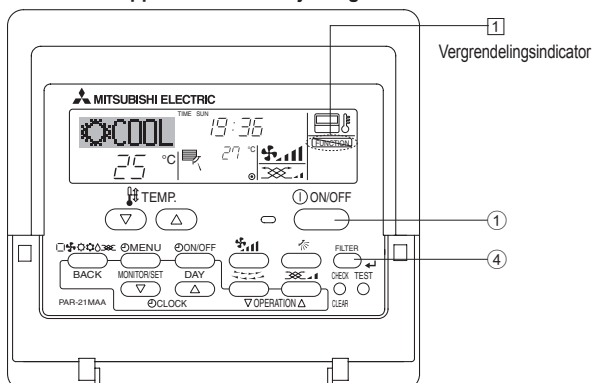
7.1. De knoppen van de afstandsbediening vergrendelen (functiebeperking van Operation)

- Als u dat wilt, kunt u de knoppen van de afstandsbediening vergrendelen. Met behulp van Function Selection of de afstandsbediening kunt u aangeven welk type vergrendeling u wilt gebruiken. (Zie paragraaf 8 onder [4]-2 (1) als u meer wilt weten over het selecteren van het type vergrendeling.) U hebt met name de keuze uit de onderstaande twee vergrendelingsstypen.

- 1 Lock All Buttons: hiermee vergrendelt u alle knoppen op de afstandsbediening.
- 2 Lock All Except ON/OFF: hiermee vergrendelt u alle knoppen op de afstandsbediening, behalve de knoppen On en Off.

Opmerking:

De indicator "Locking Function" (vergrendelen) verschijnt op het scherm om aan te geven dat de knoppen momenteel zijn vergrendeld.



<De knoppen vergrendelen>

1. Druk, terwijl u de knop Filter 4 ingedrukt houdt, op ON/OFF 1 en houd deze 2 seconden ingedrukt. De indicator "Locking Function" (vergrendelen) verschijnt op het scherm (bij 1) om aan te geven dat de vergrendeling actief is.

- * Als de vergrendeling is uitgeschakeld in Function Selection verschijnt op het scherm de melding "Not Available" (Niet beschikbaar) als u op de hierboven genoemde knoppen drukt.



- Als u op een vergrendelde knop drukt, knippert de indicator "Locking Function" (vergrendelen) op het display (bij 1).



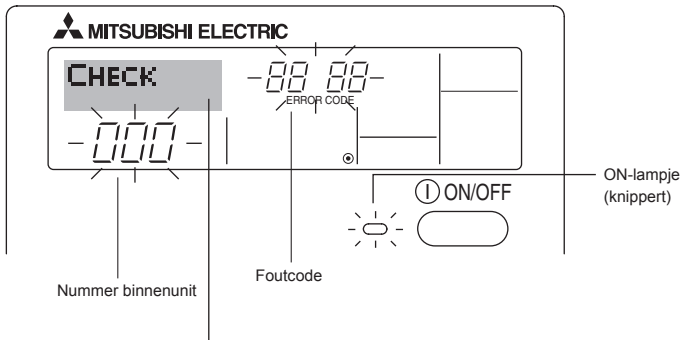
<De knoppen ontgrendelen>

1. Druk, terwijl u de knop Filter 4 ingedrukt houdt, op ON/OFF 1 en houd deze 2 seconden ingedrukt, zodat de indicator "Locking Function" (vergrendelen) verdwijnt van het scherm (bij 1).



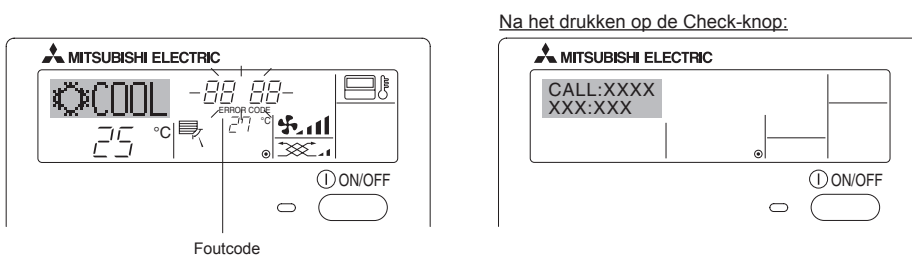
7. Andere functies

7.2. Foutcode-aanwijzingen



Als u een telefoonnummer hebt opgegeven dat moet worden gebeld in geval van problemen, wordt dit nummer op het scherm weergegeven. (U kunt dit nummer instellen onder Function Selection. Zie paragraaf 8 voor meer informatie.)

- Het ON-lampje en de foutcode knipperen allebei: dit betekent dat de airconditioner defect is en de werking is onderbroken (kan niet worden hervat). Schrijf het aangegeven unitnummer en de foutcode op, schakel de stroom van de airconditioner uit en bel de leverancier of de onderhoudstechnicus.



- Alleen de foutcode knippert (terwijl het ON-lampje blijft branden): het apparaat blijft werken, hoewel er mogelijk een probleem is ontstaan. Schrijf in dit geval de foutcode op en bel de leverancier of de onderhoudstechnicus voor advies.

* Als u een telefoonnummer hebt opgegeven dat moet worden gebeld in geval van problemen, drukt u op Check om dit nummer op het scherm weer te geven. (U kunt dit nummer instellen onder Function Selection. Zie paragraaf 8 voor meer informatie.)

8. Functiekeuze

Functiekeuze van de afstandsbediening

De instelling van de volgende functies van de afstandsbediening kan in de functiekeuzestand van de afstandsbediening worden gewijzigd. Wijzig de instelling indien nodig.

Item 1	Item 2	Item 3 (betekenis van de instelling)
1. De taal wijzigen ("CHANGE LANGUAGE")	Instelling displaytaal	• Weergave is mogelijk in meerdere talen
2. Functiebegrenzing ("FUNCTION SELECTION")	(1) Instelling begrenzing bedrijfsfuncties (bedrijfsblokkering) ("LOCKING FUNCTION")	• Het instellen van de begrenzing van bedrijfsfuncties (bedrijfsvergrendeling)
	(2) Instelling gebruik van de automatische stand ("SELECT AUTO MODE")	• Instelling van het wel of niet gebruiken van de "automatische" bedrijfsstand
	(3) Instelling van de temperatuurbegrenzings ("LIMIT TEMP FUNCTION")	• Instellen van het instelbare temperatuurbereik (maximum, minimum)
3. Standkeuze ("MODE SELECTION")	(1) Instelling hoofd/sub-afstandsbediening ("CONTROLLER MAIN/SUB")	• Keuze van de hoofd- of subafstandsbediening * Indien op één groep twee afstandsbedieningen zijn aangesloten, dient één afstandsbediening als "sub" te worden ingesteld.
	(2) Instelling klok gebruiken ("CLOCK")	• Instelling van het wel of niet gebruiken van de klokfunctie
	(3) Instelling van de timerfunctie ("WEEKLY TIMER")	• Instelling van het type timer
	(4) Instelling contactnummer bij storingen ("CALL.")	• Weergave van het te bellen nummer bij storingen • Instelling van het telefoonnummer
4. Display wijzigen ("DISP MODE SETTING")	(1) Instelling temperatuurweergave °C/°F ("TEMP MODE °C/°F")	• Instelling van de weer te geven temperatuureenheid (°C of °F)
	(2) Instelling weergave afzuigluchttemperatuur ("ROOM TEMP DISP SELECT")	• Instelling van het wel of niet gebruiken van het display van de binnen-(aanzuig)-luchttemperatuur
	(3) Instelling weergave automatisch koelen/verwarmen ("AUTO MODE DISP C/H")	• Instelling van het wel of niet gebruiken van het display voor "koelen" of "verwarmen" tijdens bedrijf in de automatische stand

8. Functiekeuze

[Stroomdiagram functiekeuze]
Insteltaal (Engels)

Normaal display
(display als de airconditioner niet in bedrijf is)

Houd toets ⑤ ingedrukt en druk gedurende 2 seconden op toets ④.

Houd toets ⑤ ingedrukt en druk gedurende 2 seconden op toets ④.

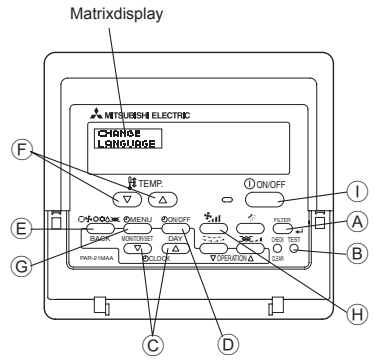
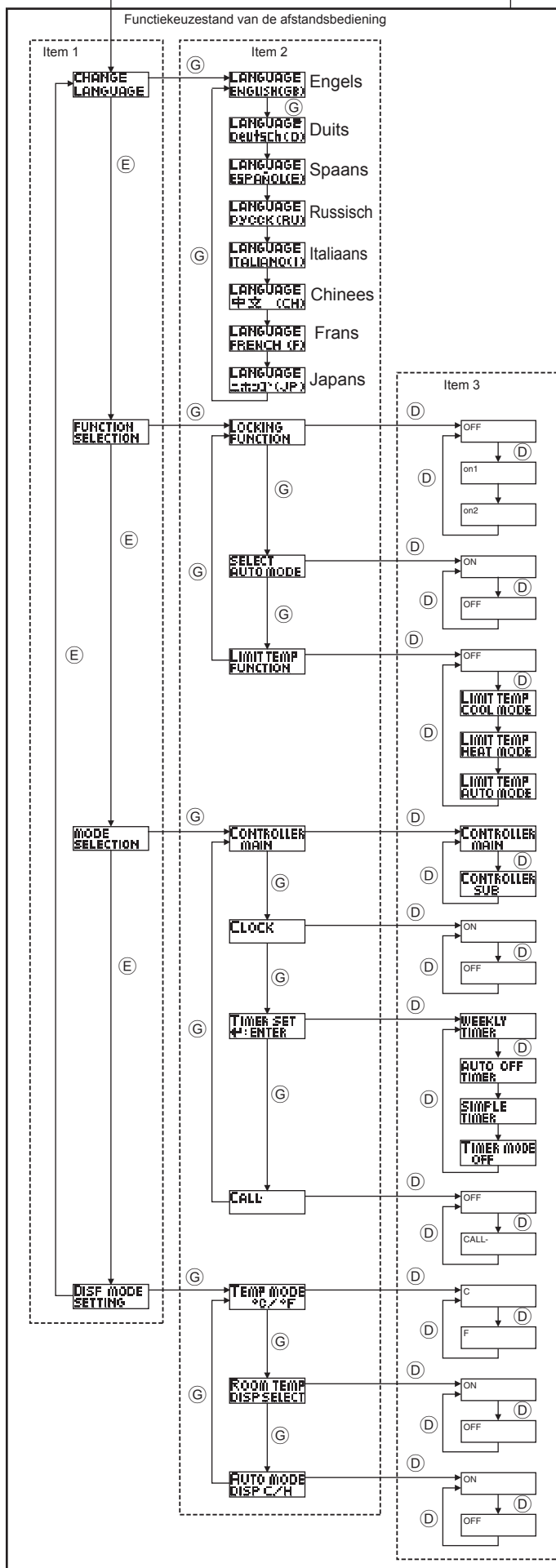
- ⑤ Druk op de bedrijfsstandtoets.
- ④ Druk op de TIMER MENU-toets.
- ④ Druk op de TIMER ON/OFF-toets (TIMER AAN/UIT).

De taal wijzigen

Functiekeuze

Instelling bedrijfsstand

Display wijzigen



De vergrendelingsfunctie wordt niet gebruikt. (initiele instelwaarde)

De instelling van de bedrijfsblokkering geldt niet bij On/Off (Aan/ Uit)-toets.

De instelling van de bedrijfsblokkering is All buttons (alle toetsen).

Als de bedrijfsstand wordt geselecteerd wordt de automatische stand weergegeven. (initiele instelwaarde)

De automatische stand wordt niet weergegeven als de bedrijfsstand wordt geselecteerd.

De begrenzing van het temperatuurbereik is niet actief. (initiele instelwaarde)

Het temperatuurbereik kan worden gewijzigd in de koel/droogstand.

Het temperatuurbereik kan worden gewijzigd in de verwarmingsstand.

Het temperatuurbereik kan worden gewijzigd in de automatische stand.

De afstandsbediening zal de hoofdbediening zijn. (initiele instelwaarde)

De afstandsbediening zal de sub-bediening zijn.

De klokfunctie kan worden gebruikt. (initiele instelwaarde)

De klokfunctie kan niet worden gebruikt.

De Weekly timer (schakelklok) kan worden gebruikt. (initiele instelwaarde)

De Auto off timer (automatisch-uitschakelen) kan worden gebruikt.

De Simple timer (enkelvoudige timer) kan worden gebruikt.

De timerstand kan niet worden gebruikt.

Bij een fout worden de ingestelde contactnummers niet weergegeven. (initiele instelwaarde)

Bij een fout worden de ingestelde contactnummers weergegeven.

°C wordt als eenheid van temperatuur gebruikt. (initiele instelwaarde)

°F wordt als eenheid van temperatuur gebruikt.

De ruimtetemperatuur wordt weergegeven. (initiele instelwaarde)

De ruimtetemperatuur wordt niet weergegeven.

Bij automatisch bedrijf wordt "Automatic cooling" (automatisch koelen) of "Automatic heating" (automatisch verwarmen) weergegeven. (initiele instelwaarde)

In de automatische stand wordt alleen "Automatic" (automatisch) weergegeven.

NL

8. Functiekeuze

[Details van de instellingen]

[4]–1. Instelling CHANGE LANGUAGE (taal wijzigen)

De taal in het matrixdisplay kan worden geselecteerd.

- Druk op de [MENU]-toets ③ om de taal te wijzigen.
 - ① Engels (GB), ② Duits (D), ③ Spaans (E), ④ Russisch (RU),
 - ⑤ Italiaans (I), ⑥ Chinees (CH), ⑦ Frans (F), ⑧ Japans (JP)

Zie de tabel van het matrix-display.

[4]–2. Functiebegrenzing

(1) Instelling begrenzing bedrijfsfuncties (bedrijfsvergrenzeling)

- Om de instelling te wijzigen drukt u op de [ON/OFF]-knop ①.
 - ① no1 : Voor de instelling van de bedrijfsblokkering worden alle toetsen behalve de [ON/OFF]-knop gebruikt.
 - ② no2 : De bedrijfsblokkering wordt via alle toetsen ingesteld.
 - ③ OFF (Initiële instelling) :
De bedrijfsblokkering wordt niet ingesteld.
- * Om de instelling van de bedrijfsblokkering op het normale scherm van kracht te laten worden, moeten de [FILTER]- en de [ON/OFF]-knoppen gedurende 2 seconden tegelijkertijd worden ingedrukt, bij het normale scherm en nadat de bovenstaande instelling is uitgevoerd.

(2) Instelling gebruik van de automatische stand

Indien de afstandsbediening aangesloten is op een unit met automatische bedrijfsstand, kunnen de volgende instellingen worden uitgevoerd.

- Om de instelling te wijzigen drukt u op de [ON/OFF]-knoppen ①.
 - ① ON (Initiële instelling) :
Als de bedrijfsstand wordt geselecteerd, wordt de automatische stand getoond.
 - ② OFF :
Als de bedrijfsstand wordt geselecteerd, wordt de automatische stand niet getoond.

(3) Instelling van de temperatuurbegrenzingen

Nadat deze instelling is gemaakt, kan de temperatuur binnen het ingestelde bereik worden gewijzigd.

- Om de instelling te wijzigen drukt u op de [ON/OFF]-knoppen ①.
 - ① LIMIT TEMP COOL MODE :
Het temperatuurbereik kan in de koel/droogstand worden gewijzigd.
 - ② LIMIT TEMP HEAT MODE :
Het temperatuurbereik kan in de verwarmingsstand worden gewijzigd.
 - ③ LIMIT TEMP AUTO MODE :
Het temperatuurbereik kan in de automatische stand worden gewijzigd.
 - ④ OFF (initiële instelling) :
De begrenzing van het temperatuurbereik is niet geactiveerd.
- * Indien de instelling wordt gemaakt (behalve bij OFF (uit)), wordt tegelijkertijd de temperatuurbegrenzing bij koelen, verwarmen en automatisch ingesteld. Het bereik kan echter niet worden begrensd als het ingestelde temperatuurbereik niet is gewijzigd.
- Om de temperatuur hoger of lager te maken, drukt u op [TEMP. (▽) of (△)] ②.
- Om naar de instelling van de bovenste en onderste begrenzing te schakelen, drukt u op [TEMP. (▽) of (△)] ③. De geselecteerde instelling zal knipperen waarna het temperatuurbereik kan worden ingesteld.
- Instelbaar bereik
Koel/droogstand :
Ondergrens: 19°C t/m 30°C Bovengrens: 30°C t/m 19°C
Verwarmingsstand :
Ondergrens: 17°C t/m 28°C Bovengrens: 28°C t/m 17°C
Automatische stand :
Ondergrens: 19°C t/m 28°C Bovengrens: 28°C t/m 19°C

[4]–3. Instelling bedrijfsstand

(1) Instelling hoofd/sub-afstandsbediening

- Om de instelling te wijzigen drukt u op de [ON/OFF]-knop ①.
 - ① Main: De afstandsbediening is de hoofd-afstandsbediening.
 - ② Sub: De afstandsbediening is de sub-afstandsbediening.

(2) Instelling klok gebruiken

- Om de instelling te wijzigen drukt u op de [ON/OFF]-knop ①.
 - ① ON: De klokfunctie kan worden gebruikt.
 - ② OFF: De klokfunctie kan niet worden gebruikt.

(3) Instelling van de timerfunctie

- Om de instelling te wijzigen drukt u op de [ON/OFF]-knop ① (Kies één van de volgende.)
 - ① WEEKLY TIMER (Initiële instelling):
De weektimer kan worden gebruikt.
 - ② AUTO OFF TIMER:
De auto-uit-timer kan worden gebruikt.
 - ③ SIMPLE TIMER:
De eenvoudige timer kan worden gebruikt.
 - ④ TIMER MODE OFF:
De timer kan niet worden gebruikt.
- * Indien de instelling voor het gebruik van de klok OFF (uit) is, kan de "WEEKLY TIMER" niet worden gebruikt.

(4) Instelling contactnummer bij storingen

- Om de instelling te wijzigen drukt u op de [ON/OFF]-knop ①.
 - ① CALL OFF:
De ingestelde te bellen nummers worden bij een storing niet getoond.
 - ② CALL **** * :
De ingestelde te bellen nummers worden bij een storing getoond.
CALL_ :
Het te bellen nummer kan worden ingesteld als het display verschijnt dat links wordt getoond.
- Het instellen van de te bellen nummers
Om de te bellen nummers in te stellen dient u de onderstaande procedures te volgen.
Verplaats de knipperende cursor naar de in te stellen nummers. Druk op [TEMP. (▽) en (△)]-knoppen ② om de cursor naar rechts of links te verplaatsen. Druk op [CLOCK (▽) en (△)]-knoppen ③ om de nummers in te stellen.

[4]–4. Displayweergave-instelling

(1) Instelling temperatuurweergave °C/°F

- Om de instelling te wijzigen drukt u op de [ON/OFF]-knop ①.
 - ① °C: Voor de temperatuur wordt de eenheid °C gebruikt.
 - ② °F: Voor de temperatuur wordt de eenheid °F gebruikt.

(2) Instelling weergave afzuigluchttemperatuur

- Om de instelling te wijzigen drukt u op de [ON/OFF]-knop ①.
 - ① ON: De afzuigluchttemperatuur wordt weergegeven.
 - ② OFF: De afzuigluchttemperatuur wordt niet weergegeven.

(3) Instelling weergave automatisch koelen/verwarmen

- Om de instelling te wijzigen drukt u op de [ON/OFF]-knop ①.
 - ① ON:
Bij automatisch bedrijf wordt "automatisch koelen" of "automatisch verwarmen" weergegeven.
 - ② OFF:
Bij automatisch bedrijf wordt alleen "automatisch" getoond.

8. Functiekeuze

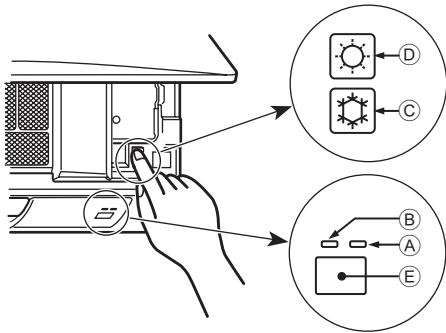
[Matrix-display-tabel]

Insteltaal		Engels	Duits	Spaans	Russisch	Italiaans	Chinees	Frans	Japans
Wacht op het opstarten		PLEASE WAIT	←	←	←	←	←	←	←
Bedrijfsstand	Koelen	COOL	Kühlen	FRÍO	Холод	COOL	制冷	FROID	冷房
	Drogen	DRY	Trocknen	DESHUMIDIFICACIÓN	Сушка	DRY	除湿	DESHU	ドライ
	Verwarmen	HEAT	Heizen	CALOR	Тепло	HEAT	制热	CHAUD	暖房
	Automatisch	AUTO	AUTO	AUTOMÁTICO	Авто	AUTO	自动	AUTO	自動
	Automatisch (Koelen)	COOL	Kühlen	FRÍO	Холод	COOL	制冷	FROID	冷房
	Automatisch (Verwarmen)	HEAT	Heizen	CALOR	Тепло	HEAT	制热	CHAUD	暖房
	Ventileren	FAN	Lüfter	VENTILACIÓN	ВЕНТ	VENTILAZIONE	送风	VENTILATION	送風
	Ventilatie	VENTILATION	Gelüftebetrieb	VENTILACIÓN	ВЕНТИЛЯЦИЯ	ARIA ESTERNA	换气	VENTILATION	换气
	Stand-by (Warmte-instelling)	STAND BY	STAND BY	CALENTANDO	ОБОГРЕВ: ПАУЗА	STAND BY	准备中	PRE CHAUFFAGE	準備中
Ontdooien	DEFROST	Alttau	DESCONGELACIÓN	ОТТАВЛИВАНИЕ	SBRINAMENTO	除霜中	DEGIVRAGE	霜取中	
Ingestelde temperatuur		SET TEMP	TEMP einstellen	TEMP. CONSIGNA	ЦЕЛЕВАЯ ТЕМПЕРАТУРА	IMPOSTAZIONE TEMPERATURA	设定温度	REGLAGE TEMPERATURE	設定温度
Ventilatorsnelheid		FAN SPEED	Lüftergeschwindigkeit	VELOCIDAD VENTILADOR	СКОРОСТЬ ВЕНТИЛЯТОРА	VELOCITA' VENTILATORE	风速	VITESSE DE VENTILATION	風速
Toets niet in gebruik		NOT AVAILABLE	Nicht verfügbar	NO DISPONIBLE	НЕ ДОСТУПНО	NON DISPONIBILE	无效按钮	NON DISPONIBLE	無効ボタン
Controle (fout)		CHECK	Prüfen	COMPROBAR	ПРОВЕРКА	CHECK	检查	CONTROLE	点検
Proefdraaien		TEST RUN	Testbetrieb	TEST FUNCIONAMIENTO	ТЕСТОВЫЙ ЗАПУСК	TEST RUN	试运转	TEST	試運転
Zelf-controle		SELF CHECK	Selbst-diagnose	AUTO REVISIÓN	САМОДИАГНОСТИКА	SELF CHECK	自我诊断	AUTO CONTROLE	自己診断
Functiekeuze van het apparaat		FUNCTION SELECTION	Funktion auswählen	SELECCIÓN DE FUNCIÓN	ВЫБОР ФУНКЦИИ	SELEZIONE FUNZIONI	功能选择	SELECTION FUNCTIONS	メニュー選択
Ventilatie instellen		SETTING OF VENTILATION	Lüfterstufen wählen	CONFIG. VENTILACIÓN	НАСТРОЙКА ВЕНТУСТАЯ	IMPOSTAZIONE ARIA ESTERNA	换气设定	SELECTION VENTILATION	换气設定

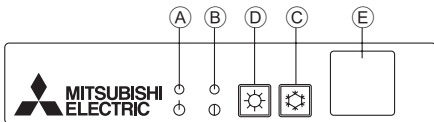
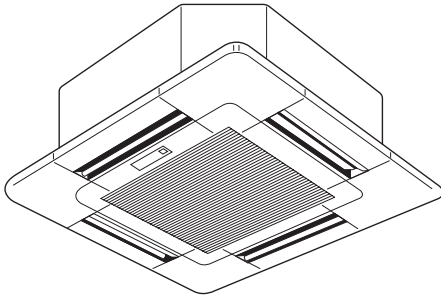
Insteltaal		Engels	Duits	Spaans	Russisch	Italiaans	Chinees	Frans	Japans
De taal wijzigen		CHANGE LANGUAGE	←	←	←	←	←	←	←
Functiekeuze		FUNCTION SELECTION	Funktion auswählen	SELECCIÓN DE FUNCIONES	ВЫБОР ФУНКЦИИ	SELEZIONE FUNZIONI	功能限制	SELECTION FUNCTIONS	メニュー制限
Instelling begrenzing bedrijfsfunctie		LOCKING FUNCTION	Sperre - Funktion	FUNCION BLOQUEADA	ФУНКЦИЯ БЛОКИРОВАН	BLOCCO FUNZIONI	操作限制	BLOCAGE FUNCTIONS	操作ロック
Instelling gebruik van automatische stand		SELECT AUTO MODE	Auswahl Auto Betrieb	SELECCIÓN MODO AUTO	ВЫБОР РЕЖИМА АВТО	SELEZIONE MODO AUTO	自动模式	SELECTION DU MODO AUTO	自動モード
Instelling begrenzing temperatuurbereik		LIMIT TEMP FUNCTION	Limit Temp Funktion	LIMIT TEMP CONSIGNA	ОГРАНИЧЕНИЕ УСТ. ТЕМПЕРАТ	LIMITAZIONE TEMPERATURA	温度限制	LIMITATION TEMPERATURE	温度制限
Stand begrenzing temperatuurkoeling/dag		LIMIT TEMP COOL MODE	Limit Kühl Temp	LIMIT TEMP MODO FRIO	ОГРАНИЧЕНИЕ ОХЛАЖДЕНИЯ	LIMITAZIONE MODO COOL	制冷范围	LIMITE TEMP MODO FROID	制冷冷房
Begrenzing temperatuur verwarmingsstand		LIMIT TEMP HEAT MODE	Limit Heiz Temp	LIMIT TEMP MODO CALOR	ОГРАНИЧЕНИЕ ОБОГРЕВ	LIMITAZIONE MODO HEAT	制热范围	LIMITE TEMP MODO CHAUD	制热暖房
Begrenzing temperatuur auto stand		LIMIT TEMP AUTO MODE	Limit Auto Temp	LIMIT TEMP MODO AUTO	ОГРАНИЧЕНИЕ РЕЖИМА АВТО	LIMITAZIONE MODO AUTO	自动范围	LIMITE TEMP MODO AUTO	制自动
Instelling bedrijfsstand		MODE SELECTION	Betriebsart wählen	SELECCIÓN DE MODO	ВЫБОР РЕЖИМА	SELEZIONE MODO	基本模式	SELECTION DU MODE	基本メニュー
Instelling afstandsbediening als hoofd-afstandsbediening		CONTROLLER MAIN	Haupt Controller	CONTROL PRINCIPAL	ОСНОВНОЙ ПУЛЬТ	CONTROLLO MAIN	遥控主	TELCOMMANDE MAITRE	リモコン主側
Instelling afstandsbediening als sub-afstandsbediening		CONTROLLER SUB	Neben Controller	CONTROL SECUNDARIO	ДОПОЛНИТЕЛЬНЫЙ ПУЛЬТ	CONTROLLO SUB	遥控辅	TELCOMMANDE ESCLAVE	リモコン主側
Gebruik van de klokinstelling		CLOCK	Uhr	RELOJ	ЧАСЫ	OROLOGIO	时钟	AFFICHAGE HORLOGE	時計 3ヨウ
Instelling van de dag van de week en van de tijd		TIME SET 4:ENTER	Uhr stellen 4:einstellen	CONFIG RELOJ 4:CONFIG	ЧАСЫ: УСТ. 4: ВВОД	OROLOGIO 4: ENTER	时间 4: ENTER	HORLOGE 4: ENTRER	トキセツテイ 4: カクテイ
Timerinstelling		TIMER SET 4:ENTER	Zeitschaltuhr 4:einstellen	TEMPORIZA - DOR 4:CONFIG	ТАЙМЕР: УСТ. 4: ВВОД	TIMER 4: ENTER	定时器 4: ENTER	PROG. HORAIRE 4: ENTRER	タイマーセッテイ 4: カクテイ
Weergave timer		TIMER MONITOR	Uhrzeit Anzeige	VISUALIZAR TEMPORIZAD.	ПРОСМОТР ТАЙМЕРА	VISUALIZ TIMER	定时器状态	AFFICHAGE PROG HORAIRE	タイマーモニター
Schakelklok		WEEKLY TIMER	Wochenzeit schalt Uhr	TEMPORIZA - DOR SEMANAL	НЕДЕЛЬНЫЙ ТАЙМЕР	TIMER SET TIMANALE	每周定时器	PROG. HEBDO MAIDAIRE	タイマー週間
Timerstand uit		TIMER MODE OFF	Zeitschaltuhr AUS	TEMPORIZA - DOR APAGADO	ТАЙМЕР ВЫКЛ.	TIMER OFF	定时器无效	PROG HORAIRE INACTIF	タイマー無効
Timer Automatisch uitschakelen		AUTO OFF TIMER	Auto Zeit funktion AUS	APAGADO AUTOMÁTICO	АВТООТКЛЮЧ. ПО ТАЙМЕРУ	AUTO OFF TIMER	解除定时	PROG HORAIRE ARRET AUTO	タイマーキャンセル 3ヨウ
Enkelvoudige timer		SIMPLE TIMER	einfache Zeitfunktion	TEMPORIZA - DOR SIMPLE	ПРОСТОЙ ТАЙМЕР	TIMER SEMPLIFICATO	简易定时器	PROG HORAIRE SIMPLIFIE	タイマーカンイ
Contactnummerinstelling van de foutsituatie		CALL	←	←	←	←	←	←	←
Display wijzigen		DISP MODE SETTING	Anzeige Betriebsart	MOSTRAR MODO	НАСТРОЙКА ИНА РЕЖИМА	IMPOSTAZIONE MODO DISPLAY	转换表示	AFFICHAGE SOUS MENU	表示切替
Temperatuurweergave-instelling °C/°F		TEMP MODE °C/°F	Wechsel °C/°F	TEMP GRADOS °C/°F	ЕДИН. ТЕМПЕРА. °C/°F	TEMPERATURA °C/°F	温度 °C/°F	TEMPERATURE °C/°F	温度 °C/°F
Instelling weergave luchtinlaattemperatuur		ROOM TEMP DISP SELECT	Raum Temp gewählt	MOSTRAR TEMP.	ПОКАЗЫВАТЬ ТЕМП. В КОМН.	TEMPERATURA AMBIENTE	吸入温度	TEMPERATURE AMBIANTE	スリコエントド 3ヨウ
Instelling weergave automatisch koelen/verwarmen		AUTO MODE DISP C/H	Auto Betrieb C/H	MOSTRAR F/C EN AUTO	ИНА. Т./Х В РЕЖИМЕ АВТО	AUTO C/H	自动表示	AFFICHAGE AUTO F/C	自動 3ヨウ

9. Noodbedrijf voor draadloze afstandsbediening

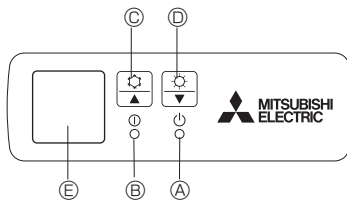
■ PKFY-P-VKM-E



■ PLFY-P-VCM-E2



■ PCFY-P-VKM-E



Wanneer de afstandsbediening niet kan worden gebruikt

Als de batterijen van de afstandsbediening leeg zouden raken, of als de afstandsbediening niet goed zou functioneren, kunt u via de noodknoppen op het rooster overgaan op noodbedrijf.

- Ⓐ DEFROST/STAND BY-lamp
- Ⓑ Bedrijfslamp
- Ⓒ Noodbedrijfschakelaar voor koelen
- Ⓓ Noodbedrijfschakelaar voor verwarmen
- Ⓔ Ontvanger

Noodbedrijf starten

- Koelen: Houd knop Ⓒ ☼ 2 seconden of langer ingedrukt.
- Verwarmen: Houd knop Ⓓ ☼ 2 seconden of langer ingedrukt.
- Het oplichten van het bedrijfslampje Ⓑ betekent het begin van het gebruik.

Opmerking:

- De details voor het noodbedrijf worden hieronder weergegeven.

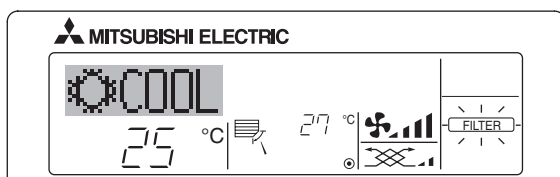
De details voor NOODBEDRIJF worden onderstaand getoond.

Bedrijfsstand	COOL	HEAT
Ingestelde temperatuur	24°C	24°C
Ventilatorsnelheid	Hoog	Hoog
Luchtstroomrichting	Horizontaal	Naar beneden 4 (5)

Noodbedrijf stoppen

- Houd knop Ⓒ ☼ of Ⓓ ☼ 2 seconden of langer ingedrukt om het noodbedrijf uit te schakelen.

10. Onderhoud en schoonmaken



- Hiermee wordt aangegeven dat het filter moet worden schoongemaakt. Reinig het filter.

- De aanduiding "FILTER" uitschakelen
Druk, nadat u het filter heeft schoongemaakt, de [FILTER]-knop tweemaal achter elkaar in. De aanduiding verdwijnt.

Opmerking:

- Als er twee of meer verschillende soorten binnenapparaten worden bediend, verschilt dit schoonmaakinterval, afhankelijk van het soort filter. Op het tijdstip dat het filter van het hoofdapparaat moet worden schoongemaakt, verschijnt de aanduiding "FILTER". Als de aanduiding weer verdwijnt, begint de telling opnieuw.
- "FILTER" geeft het schoonmaakinterval aan dat wordt gehanteerd als het binnenapparaat onder normale omstandigheden wordt gebruikt. Er wordt alleen rekening gehouden met de verstreken gebruiksduur. Als het filter wordt gebruikt in situaties waar de lucht vervuild is, dient u het filter vaker schoon te maken.
- Het schoonmaakinterval voor het filter verschilt van model tot model.
- Deze aanwijzing is voor de draadloze afstandsbediening niet beschikbaar.

► Reinigen van de filters

- Maak de filters schoon met behulp van een stofzuiger. Als u niet de beschikking heeft over een stofzuiger, klop de filters dan lichtjes tegen een hard voorwerp zodat al het stof en vuil eruit valt.
- Als de filters heel erg vuil zijn, was deze dan in lauw water. Als u wasmiddel gebruikt, zorg dan dat dit hierna grondig wordt weggespoeld en laat de filters goed drogen voordat u deze weer plaatst.

⚠ Voorzichtig:

- Droog de filters nooit in direct zonlicht of met behulp van een warmtebron zoals een straalkachel of een haardroger; hierdoor kunnen de filters kromtrekken.
- Was de filters nooit in heet water (meer dan 50°C); hierdoor kunnen de filters kromtrekken.
- Let erop dat de filters altijd zijn geïnstalleerd als u het apparaat gebruikt. Gebruik van het apparaat zonder de filters kan leiden tot beschadiging ervan.

⚠ Voorzichtig:

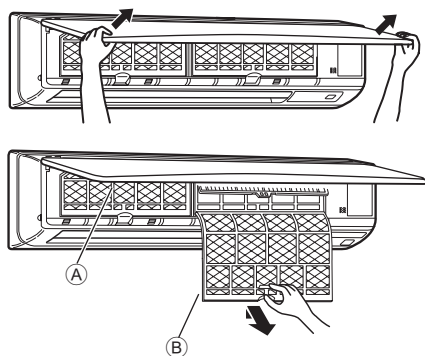
- Voordat u begint met schoonmaken, moet u het apparaat stoppen en de stroomvoorziening UITzetten.
- Binnenapparaten zijn uitgerust met filters om stof uit ingezogen lucht te verwijderen. Reinig de filters volgens de hieronder aangegeven methodes.

⚠ Voorzichtig:

- U dient bij het verwijderen van het filter voorzorgsmaatregelen te treffen om uw ogen te beschermen tegen stof. Ook moet u op een krukje gaan staan om het karwei uit te voeren. Zorg ervoor dat u niet valt.
- Als het filter is verwijderd, dient u de metalen delen van het apparaat voor binnengebruik niet aan te raken, om letsel te voorkomen.

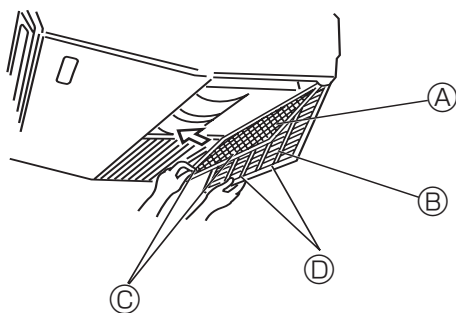
10. Onderhoud en schoonmaken

■ PKFY-P-VKM-E



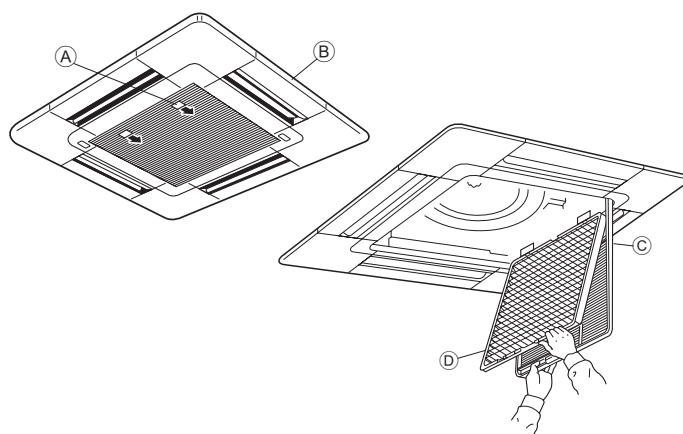
- ① Trek de benedenhoeken van het luchtinlaatrooster met beide handen naar voren. Til vervolgens het filter op totdat u een klik hoort.
 - ② Houd de knoppen van het filter ingedrukt, duw het filter omhoog en trek het vervolgens omlaag om het te verwijderen. (Op twee plaatsen, aan de linker- en rechterzijde.)
- A Rooster voorzijde
 B Filter

■ PCFY-P-VKM-E



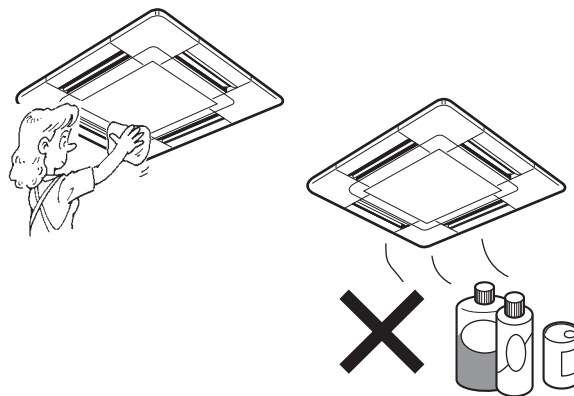
- ① Open het inlaatrooster.
 - ② Houd de knop op het filter vast en trek dan het filter naar boven in de richting van de pijl. Om het filter er nadat u het schoon gemaakt hebt weer in te doen, moet er voor zorgen dat u het filter er ver genoeg insteekt totdat het in het palletje zit.
- A Filter B Inlaatrooster C Knop D Palletje

■ PLFY-P-VCM-E2



- ① Trek de knop op de grill van de inlaatrooster in de richting die wordt aangegeven door de pijl om de grill te kunnen openen.
 - ② Open het inlaatrooster.
 - ③ Zet de knop aan de middelste rand van de inlaatrooster los en trek het filter naar voren om dit te verwijderen.
- A Knop
 B Rooster
 C Inlaatrooster
 D Filter

Het binnenapparaat schoonmaken



- Veeg de buitenkant van het apparaat af met een schone, droge, zachte doek.
- Verwijder vet of vingerafdrukken met een neutraal huishoudelijk schoonmaakprodukt (zoals afwasmiddel of waspoeder).

⚠ Voorzichtig:
 Gebruik nooit benzine, benzeen, thinner, schuurpoeder of een ander niet-neutraal schoonmaakmiddel, omdat deze stoffen de behuizing van het apparaat kunnen beschadigen.

11. Problemen en oplossingen

Heeft u een probleem?	Hier is de oplossing. (Het apparaat functioneert normaal.)
De airconditioner verwarmt of koelt niet goed.	<ul style="list-style-type: none"> ■ Reinig het filter. (De luchtstroom wordt verminderd als het filter vuil of verstopt is.) ■ Controleer de temperatuurafstelling en stel de temperatuur in. ■ Let erop dat er rond het buitenapparaat voldoende ruimte is. Is de luchtin- of -uitlaat van het binnenapparaat geblokkeerd? ■ Staat er een deur of raam open?
Als het verwarmingsbedrijf start wordt de warme lucht niet snel uit het binnenapparaat geblazen.	<ul style="list-style-type: none"> ■ Er wordt pas warme lucht geblazen als het binnenapparaat voldoende is opgewarmd.
Tijdens de verwarmingsstand stopt de airconditioner voordat de ingestelde ruimtetemperatuur is bereikt.	<ul style="list-style-type: none"> ■ Bij een lage buitentemperatuur en een hoge luchtvochtigheid kan er op het buitenapparaat ijsafzetting ontstaan. Als dit het geval is, voert het buitenapparaat het ontdooiingsbedrijf uit. Na ongeveer 10 minuten dient normaal bedrijf te beginnen.
Tijdens bedrijf verandert de richting van de luchtstroom naar boven/beneden of kan de richting van de luchtstroom naar boven/beneden niet worden ingesteld.	<ul style="list-style-type: none"> ■ Tijdens de koelstand bewegen de kleppen zich automatisch na 1 uur naar de horizontale stand (naar beneden), als de richting van de luchtstroom is ingesteld naar beneden (horizontaal). Dit is om te voorkomen dat er water langs de kleppen naar beneden kan druppelen. ■ Bij lage luchtstroomtemperatuur of tijdens het ontdooien gaan in de verwarmingsstand de kleppen automatisch naar de horizontale luchtstroomstand.
Als de luchtstroomrichting naar boven/beneden wordt veranderd, gaan de kleppen altijd voorbij de instelpositie omhoog en omlaag voordat ze uiteindelijk bij de eindpositie stoppen.	<ul style="list-style-type: none"> ■ Als de luchtstroomrichting naar boven/beneden wordt veranderd, gaan de kleppen na het detecteren van de basispositie naar de ingestelde positie.
Er klinkt een geluid van stromend water of zo nu en dan een sissend geluid.	<ul style="list-style-type: none"> ■ Deze geluiden kunnen worden gehoord als er koelstof in de airconditioner stroomt, of als de stroom van de koelstof verandert.
Er klinkt een krakend of knarsend geluid.	<ul style="list-style-type: none"> ■ Deze geluiden kunnen worden gehoord als er ten gevolge van temperatuurveranderingen delen uitzetten of inkrimpen en daardoor langs elkaar gaan wrijven.
De ruimte heeft een onaangename geur.	<ul style="list-style-type: none"> ■ Het binnenapparaat zuigt lucht aan die gassen afkomstig uit wanden, tapijt en meubilair bevat en tevens geuren uit kleding, en blaast deze dampen in de ruimte terug.
Uit het binnenapparaat wordt een witte mist of damp uitgestoten.	<ul style="list-style-type: none"> ■ Indien de binnentemperatuur en de luchtvochtigheid hoog zijn, kan deze omstandigheid zich bij het begin van het bedrijf voordoen. ■ Tijdens het ontdooien kan een koele luchtstroom naar beneden worden geblazen die eruitziet als mist.
Er komt water of damp uit het buitenapparaat.	<ul style="list-style-type: none"> ■ Tijdens het koelen kan er water worden gevormd en van de koelpijpen en -verbindingen druppelen. ■ Tijdens het verwarmen kan er op de warmtewisselaar water ontstaan en naar beneden druppelen. ■ Tijdens het ontdooien kan het water op de warmtewisselaar verdampen, waardoor er waterdamp wordt uitgestoten.
Het bedrijfssymbool verschijnt niet in het display van de afstandsbediening.	<ul style="list-style-type: none"> ■ Zet de hoofdschakelaar aan. In het scherm van de afstandsbediening verschijnt nu "●".
De airconditioner werkt niet, ook al wordt de knop ON/OFF ingedrukt. De weergave van de bedrijfsstand op het display van de afstandsbediening verdwijnt.	<ul style="list-style-type: none"> ■ Staat de hoofdschakelaar van het binnenapparaat uit? Zet de hoofdschakelaar aan.
"☒" verschijnt in het display van de afstandsbediening.	<ul style="list-style-type: none"> ■ Tijdens centrale besturing verschijnt "☒" in het display van de afstandsbediening en kan de airconditioner met de afstandsbediening worden gestart of gestopt.
Als u de airconditioner kort nadat deze is gestopt opnieuw start, zal deze niet functioneren, ook al hebt u de hoofdschakelaar ingedrukt.	<ul style="list-style-type: none"> ■ Wacht ongeveer drie minuten. (Het bedrijf is gestopt om de airconditioner te beschermen.)
De airconditioner werkt zonder dat de hoofdschakelaar is ingedrukt.	<ul style="list-style-type: none"> ■ Is de aan-timer ingesteld? Druk op de hoofdschakelaar om het bedrijf te stoppen. ■ Is de airconditioner aan een centrale afstandsbediening gekoppeld? Raadpleeg de personen die de airconditioner bedienen. ■ Verschijnt "☒" in het display van de afstandsbediening? Raadpleeg de personen die de airconditioner bedienen. ■ Is de automatische herstelvoorziening bij spanningsonderbrekingen ingesteld? Druk op de hoofdschakelaar om het bedrijf te stoppen.
De airconditioner stopt zonder dat de hoofdschakelaar is ingedrukt.	<ul style="list-style-type: none"> ■ Is de uit-timer ingesteld? Druk op de hoofdschakelaar om het bedrijf opnieuw te starten. ■ Is de airconditioner aan een centrale afstandsbediening gekoppeld? Raadpleeg de personen die de airconditioner bedienen. ■ Verschijnt "☒" in het display van de afstandsbediening? Raadpleeg de personen die de airconditioner bedienen.
Het timerbedrijf van de afstandsbediening kan niet worden ingesteld.	<ul style="list-style-type: none"> ■ Zijn de timerinstellingen ongeldig? Als de timer kan worden ingesteld, verschijnt (WEEKLY), (SIMPLE), of (AUTO OFF) in het display van de afstandsbediening.
"PLEASE WAIT" (wachten a.u.b.) verschijnt in het display van de afstandsbediening.	<ul style="list-style-type: none"> ■ De initiële instellingen worden uitgevoerd. Wacht ongeveer 3 minuten.
Er verschijnt een foutcode in het display van de afstandsbediening.	<ul style="list-style-type: none"> ■ De beveiligingen zijn aangesproken om de airconditioner te beveiligen. ■ Probeer deze apparatuur niet zelf te repareren. ■ Zet onmiddellijk de hoofdschakelaar uit en raadpleeg uw leverancier. ■ Stel de leverancier op de hoogte van de modelnaam en de informatie die in het display van de afstandsbediening verscheen.
Er klinkt een geluid van water dat wordt afgetapt of het draaien van een motor.	<ul style="list-style-type: none"> ■ Als het koelbedrijf stopt, treedt de aftappomp in werking, die vervolgens weer stopt. Wacht ongeveer 3 minuten.

11. Problemen en oplossingen

Heeft u een probleem?	Hier is de oplossing. (Het apparaat functioneert normaal.)												
Het geluid is harder dan vermeld in de specificaties.	<ul style="list-style-type: none"> Het bedrijfsgeluid in de ruimte wordt door de akoestiek van de desbetreffende ruimte beïnvloed, zoals getoond in de volgende tabel, en zal hoger zijn dan de geluidsspecificaties, die werden bepaald door meting in een echovrije ruimte. <table border="1"> <thead> <tr> <th></th> <th>Sterk geluidsabsorberende ruimten</th> <th>Normale ruimten</th> <th>Gering geluidsabsorberende ruimten</th> </tr> </thead> <tbody> <tr> <td>Voorbeelden van locaties</td> <td>Zendstudio, muziekrumten, enz.</td> <td>Ontvangstruimte, hotellobby, enz.</td> <td>Kantoor, hotelkamer</td> </tr> <tr> <td>Geluidsniveau's</td> <td>3 t/m 7 dB</td> <td>6 t/m 10 dB</td> <td>9 t/m 13 dB</td> </tr> </tbody> </table>		Sterk geluidsabsorberende ruimten	Normale ruimten	Gering geluidsabsorberende ruimten	Voorbeelden van locaties	Zendstudio, muziekrumten, enz.	Ontvangstruimte, hotellobby, enz.	Kantoor, hotelkamer	Geluidsniveau's	3 t/m 7 dB	6 t/m 10 dB	9 t/m 13 dB
	Sterk geluidsabsorberende ruimten	Normale ruimten	Gering geluidsabsorberende ruimten										
Voorbeelden van locaties	Zendstudio, muziekrumten, enz.	Ontvangstruimte, hotellobby, enz.	Kantoor, hotelkamer										
Geluidsniveau's	3 t/m 7 dB	6 t/m 10 dB	9 t/m 13 dB										
Er verschijnt niets in het display van de draadloze afstandsbediening, het display is zwak, of de signalen worden alleen door het binnenapparaat ontvangen als de afstandsbediening dichtbij wordt gehouden.	<ul style="list-style-type: none"> De batterijen zijn bijna leeg. Breng nieuwe batterijen aan en druk op reset. Indien er ook nadat nieuwe batterijen zijn geplaatst niets verschijnt, controleer dan of de batterijen in de juiste richting zijn aangebracht (+, -). 												
Op het binnenapparaat knippert het bedrijfslampje bij de ontvanger voor de draadloze afstandsbediening.	<ul style="list-style-type: none"> De zelfdiagnose-functie is uitgevoerd om de airconditioner te beveiligen. Probeer deze apparatuur niet zelf te repareren. Zet onmiddellijk de hoofdschakelaar uit en raadpleeg uw leverancier. Geef de modelnaam aan de leverancier door. 												
Het binnenapparaat blaast met tussenpozen warme lucht uit terwijl de bedrijfsstand Verwarmen uit staat of als de bedrijfsstand Ventileren aan staat.	<ul style="list-style-type: none"> Als er een ander binnenapparaat in de bedrijfsstand Verwarmen staat, gaat de regelklep zo nu en dan open en dicht om het airconditioningsysteem stabiel te laten werken. Dit houdt na enige tijd op. * Indien dit een ongewenste temperatuurstijging veroorzaakt, bijvoorbeeld in een kleine ruimte, schakel dan het binnenapparaat tijdelijk uit. 												

Toepassingsbereik:

Het temperatuursbereik voor zowel de binnen- als de buitenapparaten van de Y, R2, Multi-S -serie is hieronder aangegeven.

⚠ Voorzichtig:

Het gebruik van uw airconditioner buiten de temperatuurs- en luchtvochtigheidsgrenzen die hieronder zijn aangegeven kan tot ernstige schade aan uw apparaat leiden.

Modus	Binnenapparaat	Buitenapparaat		
		PUHY	PURY	PUMY
Koelen	15 °C - 24 °C WB	-5 °C - 46 °C DB	-5 °C - 46 °C DB	-5 °C - 46 °C DB
Verwarmen	15 °C - 27 °C DB	-20 °C - 15,5 °C WB	-20 °C - 15,5 °C WB	-15 °C - 15 °C WB

Opmerking: Als een toepasselijke norm voor de luchtvochtigheid voor zowel de binnen- als buitenapparaten raden wij een bereik van 30 - 80% relatieve luchtvochtigheid aan.

⚠ Waarschuwing:

Indien de airconditioner draait maar de ruimte niet koelt of verwarmt (afhankelijk van het model), neem dan contact op met uw dealer aangezien er mogelijk koelstof lekt. Vraag de monteur of er koelstoflekkage is wanneer er reparaties worden uitgevoerd.

De in de airconditioner gebruikte koelstof is veilig. Normaal gesproken treedt er geen koelstoflekkage op. Indien er binnen echter koelgas lekt en dit in aanraking komt met de warmtebron van een ventilatorkachel, straalkachel, fornuis, etc., zullen schadelijke stoffen worden gevormd.

12. Specificaties

Model		PKFY-P63VKM-E	PKFY-P100VKM-E
Stroomvoorziening (voltage <V>/frequentie)	<Hz>	~N/220-230-240/50, 220/60	
Capaciteit (koelen/verwarmen)	<kW>	7,1/8,0	11,2/12,5
Afmetingen (hoogte)	<mm>	365	
Afmetingen (breedte)	<mm>	1170	
Afmetingen (diepte)	<mm>	295	
Netto gewicht	<kg>	22	
Luchtuitstroomvermogen ventilator (laag-hoog)	<m ³ /min>	16-20	20-25
Geluidsniveau (laag-hoog)	<dB>	39-43	41-49

Model		PLFY-P15VCM-E2	PLFY-P20VCM-E2	PLFY-P25VCM-E2	PLFY-P32VCM-E2	PLFY-P40VCM-E2
Stroomvoorziening (voltage <V>/frequentie)	<Hz>	~N/220-230-240/50				
Capaciteit (koelen/verwarmen)	<kW>	1,7/1,9	2,2/2,5	2,8/3,2	3,6/4,0	4,5/5,0
Afmetingen (hoogte)	<mm>	208 (20)				
Afmetingen (breedte)	<mm>	570 (650)				
Afmetingen (diepte)	<mm>	570 (650)				
Netto gewicht	<kg>	15,5 (3)			17,0 (3)	
Luchtuitstroomvermogen ventilator (laag-midden-hoog)	<m ³ /min>	8-8,5-9	8-9-10		8-9-11	
Geluidsniveau (laag-midden-hoog)	<dB>	28-30-31	28-31-35	28-31-37	29-33-38	30-34-39

Model		PCFY-P40VKM-E	PCFY-P63VKM-E	PCFY-P100VKM-E	PCFY-P125VKM-E
Stroomvoorziening (voltage <V>/frequentie)	<Hz>	~N 220-230-240/50, 220/60			
Capaciteit (koelen/verwarmen)	<kW>	4,5/5,0	7,1/8,0	11,2/12,5	14,0/16,0
Afmetingen (hoogte)	<mm>	230			
Afmetingen (breedte)	<mm>	960	1280	1600	
Afmetingen (diepte)	<mm>	680			
Netto gewicht	<kg>	24	32	36	38
Luchtuitstroomvermogen ventilator (laag-middel2-middel1-hoog)	<m ³ /min>	10-11-12-13	14-15-16-18	21-24-26-28	21-24-27-31
Geluidsniveau (laag-middel2-middel1-hoog)	<dB>	29-32-34-36	31-33-35-37	36-38-41-43	36-39-42-44

*1 De capaciteit voor koelen/verwarmen geeft de maximale waarde bij gebruik onder de volgende omstandigheden.

Koelen: binnen 27 °C DB (dry ball)/19 °C WB (wet ball), buiten: 35 °C DB

Verwarmen: 20 °C DB, buiten 7 °C DB/6 °C WB

*2 Het getal tussen haakjes is voor het paneel.

Contenido

1. Medidas de Seguridad	82	7. Otras funciones	92
2. Nombres de las piezas	83	8. Selección de función	93
3. Configuración de la pantalla	86	9. Funcionamiento de emergencia del controlador remoto inalámbrico	97
4. Configuración de día de la semana y hora	86	10. Mantenimiento y limpieza	97
5. Manejo	86	11. Localización de fallos	99
6. Temporizador	89	12. Especificaciones	101

1. Medidas de Seguridad

- ▶ Antes de instalar la unidad, asegúrese de haber leído el capítulo de “Medidas de seguridad”.
- ▶ Las “Medidas de seguridad” señalan aspectos muy importantes sobre seguridad. Es importante que se cumplan todos.
- ▶ Antes de conectar el sistema, informe al servicio de suministro o pídale permiso para efectuar la conexión.

Símbolos utilizados en el texto

⚠ Atención:

Describe precauciones que deben tenerse en cuenta para evitar el riesgo de lesiones o muerte del usuario.

⚠ Cuidado:

Describe las precauciones que se deben tener para evitar daños en la unidad.

Símbolos utilizados en las ilustraciones

⚡ : Indica una pieza que debe estar conectada a tierra.

Nota:
En este manual de operación, la frase “Controlador remoto cableado” se refiere a PAR-21MAA.
Si necesita más información sobre el otro controlador remoto, consulte el manual de instrucciones incluido en estas cajas.

⚠ Atención:

- Estos aparatos no son accesibles al gran público.
- La unidad no debe ser instalada por el usuario. Pida a su distribuidor o a una empresa debidamente autorizada que se lo instale. La incorrecta instalación de la unidad puede dar lugar a goteo de agua, descarga eléctrica o fuego.
- No se suba encima ni coloque objetos sobre la unidad.
- No vierta agua sobre la unidad ni la toque con las manos húmedas. Puede producirse una descarga eléctrica.
- No rocíe gases combustibles en las proximidades de la unidad. Puede haber riesgo de incendio.
- No coloque calentadores de gas o cualquier otro aparato de llama abierta expuestos a la corriente de aire descargada por la unidad. Puede dar lugar a una combustión incompleta.
- No extraiga el panel frontal del ventilador de la unidad exterior mientras esté en funcionamiento.
- No repare nunca la unidad ni la traslade a otro lugar usted mismo.
- Cuando note ruidos o vibraciones que no sean normales, pare la unidad, desconecte la fuente de alimentación y póngase en contacto con su proveedor.
- No inserte nunca dedos, palos, etc. en las tomas o salidas de aire.
- Si detecta olores raros pare la unidad, desconecte el interruptor de red y consulte con su distribuidor. De lo contrario puede haber una rotura, una descarga eléctrica o fuego.

- Este aparato de aire acondicionado NO debe ser utilizado por niños ni por personas inválidas sin el control de una persona adulta.
- Los niños pequeños deben estar vigilados por personas adultas para impedir que jueguen con el equipo de aire acondicionado.
- Si se producen fugas de gas refrigerante, pare la unidad, ventile bien la habitación y avise a su proveedor.
- El uso de este aparato no está destinado a aquellas personas (niños incluidos) con capacidades físicas, sensoriales o mentales reducidas, o bien carencia de experiencia y conocimientos, salvo que hayan sido supervisados o instruidos acerca del uso del aparato por parte de una persona que se haga responsable de su seguridad.
- Cuando instale, mueva o revise el equipo de aire acondicionado, utilice solo el refrigerante indicado (R410A) para cargar los tubos del refrigerante. No lo mezcle con otro tipo de refrigerante y vacíe completamente de aire los tubos. Si el aire se mezcla con el refrigerante, podría producir una tensión anormalmente alta en el tubo del refrigerante y ocasionar una explosión u otros peligros. Usar un refrigerante distinto al indicado para el sistema provocará un fallo mecánico, un funcionamiento defectuoso del sistema o la avería de la unidad. En el peor de los casos, podría suponer un grave impedimento para garantizar la seguridad del producto.

⚠ Cuidado:

- No utilice objetos puntiagudos para apretar los botones ya que podría dañarse el controlador remoto.
- No bloquee ni cubra nunca las tomas y salidas de las unidades interior y exterior.
- No limpie el controlador remoto con benceno, trapos humedecidos en disolvente, etc.
- No deje que la unidad funcione durante mucho rato en un ambiente muy húmedo, p. ej., con una puerta o una ventana abiertas. En el modo de refrigeración, funcionando en una habitación con mucha humedad (del 80 % o más) durante mucho tiempo, el agua condensada de la unidad podría gotear y mojar o estropear los muebles, etc.

- No toque el deflector de salida de aire superior ni el regulador de salida de aire inferior durante el funcionamiento. De lo contrario podría formarse condensación y la unidad dejaría de funcionar.

Eliminación de la unidad

Cuando deba eliminar la unidad, consulte con su distribuidor.

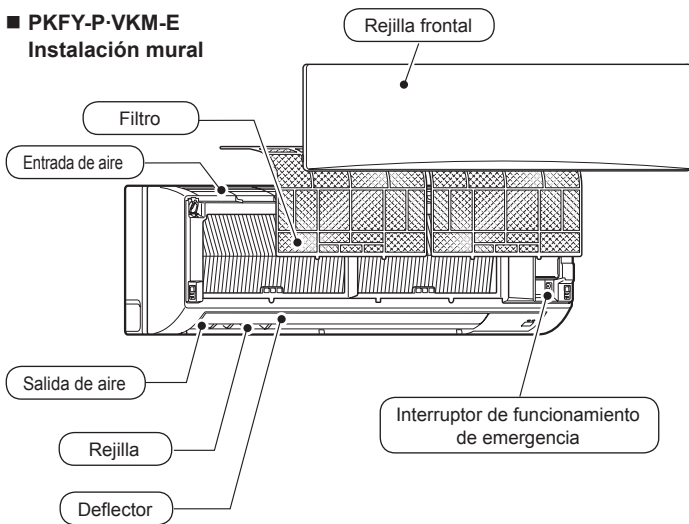
2. Nombres de las piezas

■ Unidad interior

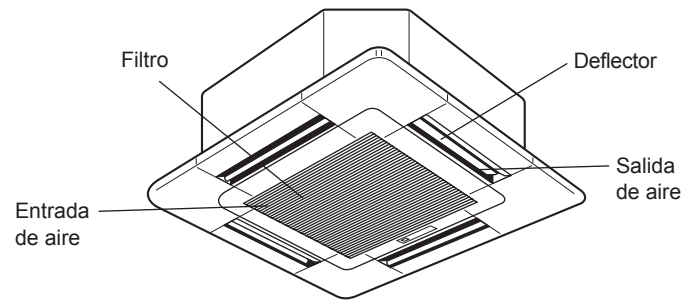
		PKFY-P-VKM-E	PLFY-P-VCM-E2	PCFY-P-VKM-E
Velocidad del ventilador		2 velocidades	3 velocidades	4 velocidades + Auto*
Deflector	Pasos	4 pasos	4 pasos	5 pasos
	Automático oscilante	○	○	○
Rejilla		Manual	—	Manual
Filtro		Normal	Larga duración	Larga duración
Indicación de limpieza de filtro		100 horas	2.500 horas	2.500 horas

* Esta operación está únicamente disponible utilizando el controlador remoto, con el que se podrá poner la velocidad del ventilador en la opción "Auto".

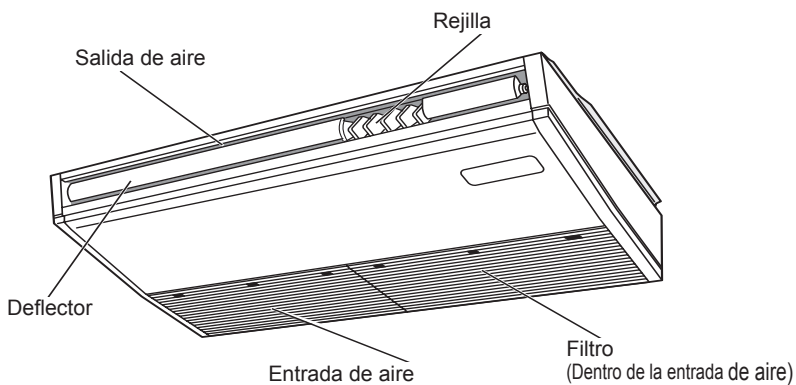
■ PKFY-P-VKM-E Instalación mural



■ PLY-P-VCM-E2 Modelo empotrado en techo de 4 direcciones



■ PCFY-P-VKM-E Modelo montado en techo



2. Nombres de las piezas

■ Para controlador remoto cableado (pieza opcional)

Sección de pantalla

Para esta explicación, se muestran iluminadas todas las partes de la pantalla. Durante el funcionamiento real, sólo estarán iluminados los elementos relevantes.

Identifica el funcionamiento actual.

Muestra el modo de funcionamiento, etc.
* Admite visualización en múltiples idiomas.

Indicador "Centrally Controlled"

Indica que el mando principal ha desactivado el funcionamiento del mando a distancia.

Indicador "Timer Is Off"

Indica que el temporizador está desactivado.

Configuración de temperatura

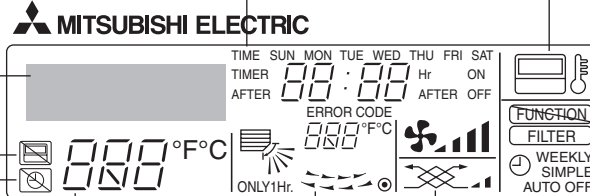
Muestra la temperatura objetivo.

Día de la semana

Muestra el día de la semana actual.

Pantalla Time/Timer

Muestra la hora actual, a menos que se haya configurado el temporizador simple o de apagado automático, en cuyo caso, muestra el tiempo restante.



Indicador de dirección arriba/abajo del flujo de aire

El indicador muestra la dirección de circulación del aire de salida.

Indicador "One Hour Only"

Se muestra si la circulación del aire se ha fijado en débil y hacia abajo durante el modo COOL o DRY. (El funcionamiento varía según el modelo). El indicador se apaga después de una hora, momento en que cambia también la dirección de circulación del aire.

Pantalla de temperatura ambiente

Muestra la temperatura ambiente. El rango de temperatura ambiente que muestra la pantalla va de 8 a 39 °C. La pantalla parpadea si la temperatura no llega a 8 °C o supera los 39 °C.

Pantalla de rejilla

Indica la acción de la rejilla basculante. No aparece si la rejilla se encuentra fija.

● (Indicador Power On)

Indica que está encendido.

Indicador "Sensor"

Aparece cuando se utiliza el sensor del mando a distancia.

Indicador "bloqueo de función"

Indica que se han bloqueado los botones del mando a distancia.

Indicador "Clean The Filter"

Se enciende cuando debe limpiarse el filtro.

Indicadores del temporizador

El indicador se enciende si se ha configurado el temporizador correspondiente.

Indicador de velocidad del ventilador

Muestra la velocidad del ventilador seleccionada.

Indicador de ventilación

Aparece cuando la unidad funciona en modo Ventilación.

Sección de control

Botones de ajuste de temperatura

- ▽ Down (Abajo)
- △ Up (Arriba)

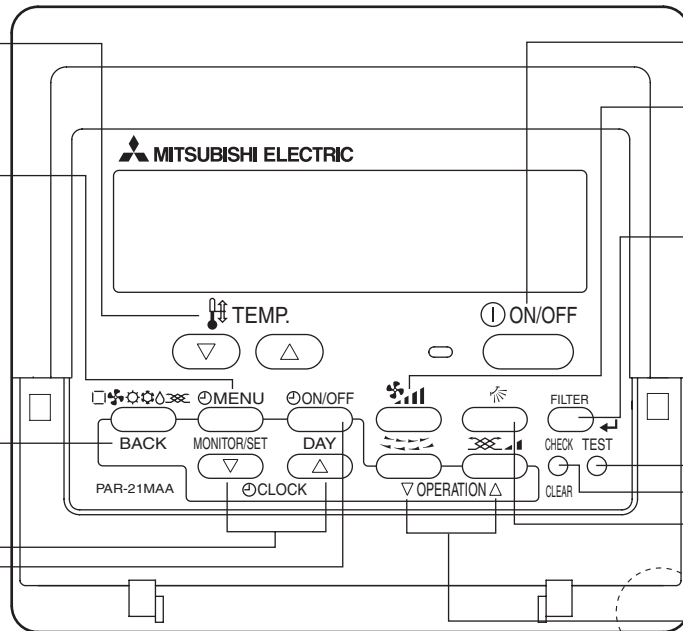
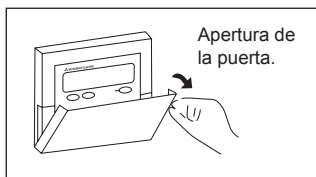
Botón Timer Menu (botón Monitor/Set)

Botón Modo de funcionamiento (back (atrás)).

Botones Set Time

- ▽ Back (Atrás)
- △ Ahead (Adelante)

Botón Timer On/Off (botón Set Day)



Botón ON/OFF

Botón Fan Speed

Botón Filter (Botón Filter)

Botón Test Run

Botón Check (botón Clear)

Botón dirección arriba/abajo del flujo de aire

Botón Louver (Botón Operation)

▽ Al número de funcionamiento anterior.

Botón Ventilation (botón Operation)

△ Al número de funcionamiento posterior.

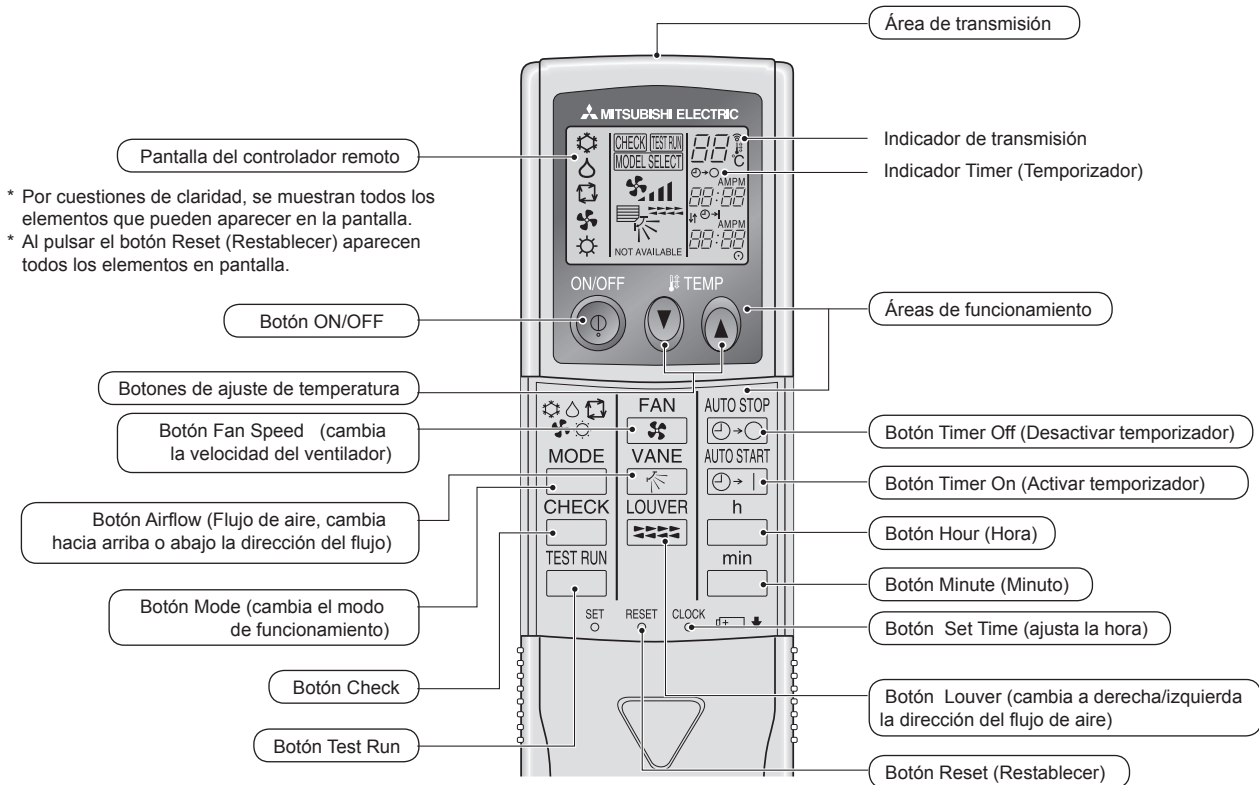
Sensor de temperatura integrado

Nota:

- Mensaje "PLEASE WAIT" (POR FAVOR, ESPERE)
Este mensaje aparece durante aprox. 3 minutos cuando la unidad interior recibe alimentación.
- Pantalla de modo de funcionamiento parpadeante
Si hay varias unidades interiores conectadas a una sola unidad exterior y en una unidad interior se ha seleccionado un modo de funcionamiento distinto del de otra unidad interior, la pantalla del modo de funcionamiento comenzará a parpadear. Seleccione el mismo modo de funcionamiento de la otra unidad interior.
- Mensaje "NOT AVAILABLE" (NO DISPONIBLE)
Este mensaje aparece si se pulsa un botón para activar una función que la unidad interior no presenta. Si está utilizando un controlador remoto para controlar simultáneamente distintos modelos de unidades interiores, este mensaje no aparecerá si alguna de las unidades interiores dispone de la función.
- Pantalla de temperatura de la sala
Los sensores de temperatura de las unidades interiores o el sensor de temperatura del controlador remoto se puede seleccionar para medir la temperatura de la sala. Los sensores de temperatura de la unidad interior están ajustados de forma predeterminada. Si se eligen los sensores de temperatura de la unidad interior para medir la temperatura de la sala, la temperatura medida en la unidad interior principal aparecerá en el controlador remoto que maneja varias unidades interiores.

2. Nombres de las piezas

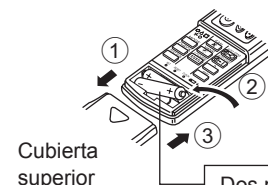
■ Para controlador remoto inalámbrico (pieza opcional)



- Cuando utilice el controlador remoto inalámbrico, apunte hacia el receptor de la unidad interior.
- Si el controlador remoto se utiliza unos 2 minutos después de encender la unidad interior, esta puede pitar dos veces, ya que estará realizando la comprobación automática inicial.
- La unidad interior pitará para confirmar que ha recibido la señal transmitida desde el controlador remoto. La unidad interior puede recibir señales emitidas a un máximo de 7 metros en línea recta en un rango de 45° a derecha e izquierda de la unidad. Sin embargo, ciertos sistemas de iluminación, con fluorescentes o luces fuertes, pueden afectar a la capacidad de recepción de señal de la unidad interior.
- Si la luz de funcionamiento situada cerca del receptor de la unidad interior parpadea, será necesario inspeccionar la unidad. Consulte a su representante del servicio técnico.
- Trate el controlador remoto con cuidado. Procure que no se le caiga ni sufra golpes. Además, no lo moje ni lo deje en un lugar con un alto grado de humedad.
- Para impedir que el controlador remoto se pierda, instale el soporte incluido con el controlador remoto en una pared y asegúrese de colocar el mando en su soporte tras su uso.

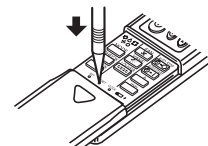
Instalación/sustitución de pilas

1. Retire la cubierta superior, inserte dos pilas AAA y vuelva a colocar la cubierta.



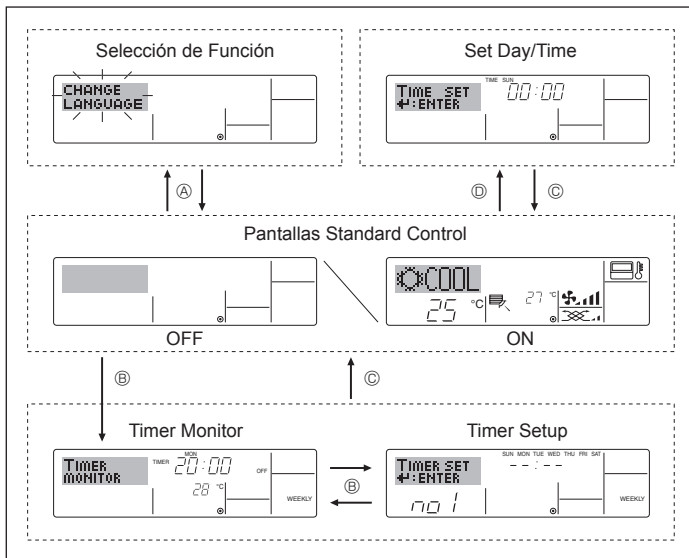
Dos pilas AAA
 Inserte las pilas comenzando por el polo negativo (-). Al insertar las pilas, respete la polaridad (+, -).

2. Pulse el botón Reset (Restablecer).



Pulse el botón Reset (Restablecer) con un objeto terminado en punta.

3. Configuración de la pantalla



<Tipos de pantallas>

El ajuste de idioma de la pantalla se puede cambiar a español utilizando la selección de función del controlador remoto. Consulte la sección 8, punto [4]-1 para cambiar el ajuste de idioma.

El ajuste inicial es inglés.

● Selección de Función:

configure las funciones y rangos disponibles para el mando a distancia (funciones de temporizador, restricciones de funcionamiento, etc.).

● Set Day/Time: configure el día de la semana u hora actual.

● Pantallas Standard Control:

visualice y configure el estado de funcionamiento del sistema de acondicionamiento de aire.

● Timer Monitor: visualice el temporizador configurado actualmente (semanal, temporizador simple o apagado automático).

● Timer Setup: configure el funcionamiento de cualquiera de los temporizadores (semanal, simple o apagado automático).

<Cómo cambiar la pantalla>

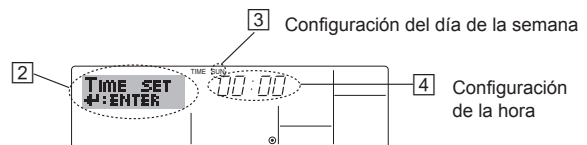
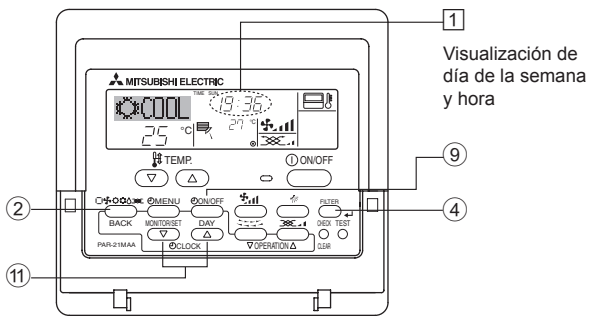
Para dirigirse a (A) : mantenga pulsado el botón Modo de funcionamiento y el botón Timer On/Off durante 2 segundos.

Para dirigirse a (B) : presione el botón Timer Menu.

Para dirigirse a (C) : presione el botón Modo de funcionamiento (back (atrás)).

Para dirigirse a (D) : presione cualquiera de los botones Set Time (∇ o Δ).

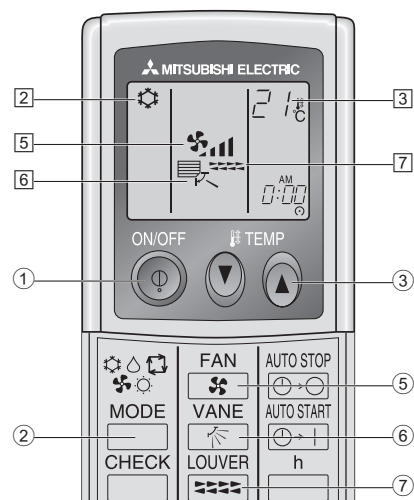
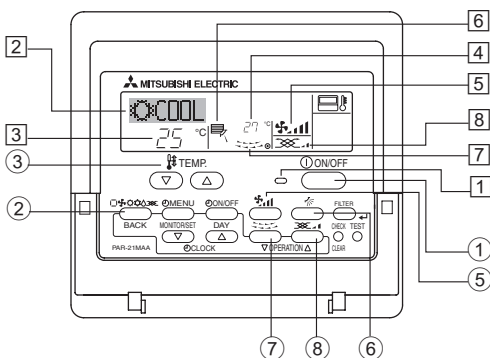
4. Configuración de día de la semana y hora



Nota:
El día y la hora no aparecerán si se ha desactivado la utilización del reloj en la Selección de Función.

1. Pulse ∇ o Δ del botón Set Time ① para que muestre el indicador ②.
2. Pulse el botón Timer On/Off (Set Day) ⑨ para fijar el día.
* Cada pulsación avanza el día que se muestra en ③ : Sun → Mon → ... → Fri → Sat.
3. Pulse el botón Set Time apropiado ⑪ según sea necesario para configurar la hora.
* Mientras mantiene presionado el botón, la hora (en ④) avanzará primero en intervalos de minutos, luego en intervalos de diez minutos y después en intervalos de una hora.
4. Después de realizar las configuraciones apropiadas en los Pasos 2 y 3, pulse el botón ← Filter ④ para fijar los valores.

5. Manejo



5.1. Encendido y apagado

<Para poner en marcha>

- Pulse el botón ON/OFF ①.
- Se encienden la lámpara de encendido □ y la pantalla.

Nota:

- Cuando se reinicia la unidad, las configuraciones iniciales son las siguientes.

	Configuraciones del Mando a distancia		
Modo	Último modo de funcionamiento		
Configuración de la temperatura	Último ajuste de temperatura		
Velocidad del ventilador	Última velocidad del ventilador		
Circulación del aire hacia Arriba/Abajo	Modo	COOL o DRY	Último valor configurado
		HEAT	Último valor configurado
		FAN	Último valor configurado

<Para detener el funcionamiento>

- Pulse de nuevo el botón ON/OFF ①.
- Se oscurecen la lámpara de encendido □ y la pantalla.

Nota:

Aunque pulse el botón de encendido ON/OFF inmediatamente después de apagar el aparato, el acondicionador de aire no se pondrá en marcha hasta pasados tres minutos. Esto tiene como fin evitar daños en los componentes internos.

5. Manejo

<Para detener el funcionamiento>

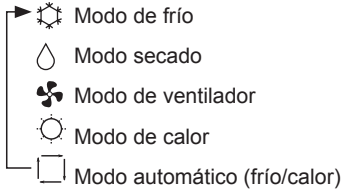
- Pulse de nuevo el botón ON/OFF ①.
 - Se oscurecen la lámpara de encendido ① y la pantalla.

Nota:

Aunque pulse una vez más el botón de encendido ON/OFF inmediatamente después de apagar el aparato, el acondicionador de aire no se pondrá en marcha hasta pasados tres minutos. Esto tiene como fin evitar daños en los componentes internos.

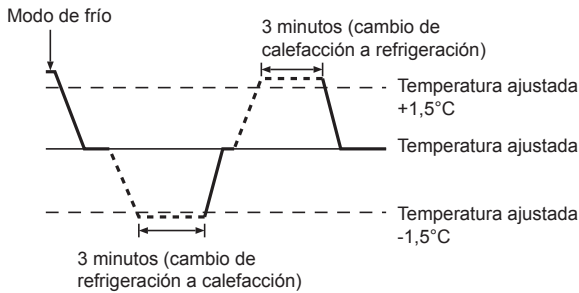
5.2. Selección de Modo de funcionamiento

- Pulse el botón de modos de funcionamiento (☐❄️🌀🔥) ② y seleccione el modo de funcionamiento ③.



Funcionamiento automático

- De acuerdo con la temperatura ajustada, el funcionamiento de refrigeración comenzará si la temperatura de la sala es demasiado alta. El modo de calefacción comenzará si la temperatura de la sala es demasiado baja.
- Durante el funcionamiento automático, si la temperatura de la sala cambia y permanece 1,5 °C o más por encima de la temperatura ajustada durante 3 minutos, el acondicionador de aire cambiará a modo de frío. Asimismo, si la temperatura permanece 1,5 °C o más por debajo de la temperatura ajustada durante 3 minutos, el acondicionador de aire cambiará a modo de calor.



- Como la temperatura ambiente se ajusta automáticamente para mantener una temperatura efectiva fija, el modo de refrigeración se activa un par de grados por encima de la temperatura ajustada (y el modo de calefacción, un par de grados por debajo) una vez alcanzada dicha temperatura (modo automático de ahorro de energía).

5.3. Ajuste de la temperatura

► Para disminuir la temperatura de la habitación:

- Pulse el botón ③ para fijar la temperatura deseada. En el visor aparecerá la temperatura seleccionada ④.

► Para aumentar la temperatura de la habitación:

- Pulse el botón ③ para fijar la temperatura deseada. En el visor aparecerá la temperatura seleccionada ④.

- Las gamas de ajuste de temperaturas disponibles son las siguientes:
Enfriamiento y secado: 19 - 30 °C
Calefacción: 17 - 28 °C
Automático: 19 - 28 °C
- La pantalla parpadea 8 °C o 39 °C para informar si la temperatura de la habitación es inferior o superior a la temperatura que se visualiza.

5.4. Ajuste de la velocidad del ventilador

- Pulse el botón Fan Speed ⑤ tantas veces como sea necesario con el sistema en funcionamiento.
 - Cada pulsación cambia la potencia. La velocidad seleccionada actualmente se muestra en ⑥.
 - La secuencia de cambio y las configuraciones disponibles son las siguientes.

VELOCIDAD VENTILADOR	Pantalla
Modelo de 2 velocidades	Velocidad 1 → Velocidad 2
Modelo de 3 velocidades	Velocidad 1 → Velocidad 2 → Velocidad 3
4 velocidades + Auto*	Velocidad 1 → Velocidad 2 → Velocidad 3 → Velocidad 4 → Auto

* Sólo para el controlador remoto MA. Se necesita poner la velocidad del ventilador en automático para poder utilizar el controlador remoto inalámbrico.

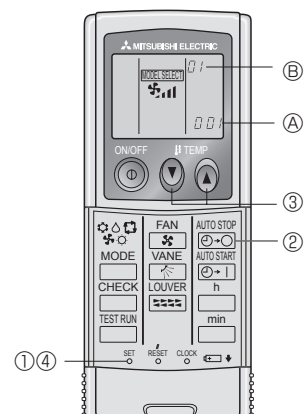
Nota:

- El número de velocidades del ventilador disponibles depende del tipo de unidad conectada. Recuerde, además, que algunas unidades no ofrecen ajuste "Automático".
- En los siguientes casos, la velocidad real del ventilador generada por la unidad diferirá de la velocidad mostrada en la pantalla del mando a distancia.
 1. Mientras la pantalla muestra "STAND BY" o "DEFROST".
 2. Cuando la temperatura del intercambiador de calor es baja en modo de calefacción (por ejemplo, inmediatamente después de que se active el modo de calefacción).
 3. En modo HEAT, cuando la temperatura ambiente de la habitación es superior al valor de configuración de la temperatura.
 4. Cuando la unidad esté en modo DRY.

- Ajuste automático de la velocidad del ventilador (controlador remoto inalámbrico)

El ajuste se ha de efectuar en el controlador remoto inalámbrico solo cuando el ventilador no está ajustado a la velocidad predeterminada. El ajuste no se ha de efectuar en el controlador remoto cableado cuando el ventilador está ajustado a la velocidad predeterminada.

- ① Pulse el botón SET con un objeto afilado. Continúe la operación cuando se apague la pantalla del controlador remoto. **MODEL SELECT** parpadea y se ilumina el n° de modelo ①.
 - ② Pulse el botón AUTO STOP ②. **FAN** parpadea y se ilumina el n° de ajuste ②. (ajuste n° 01: sin ventilador en velocidad automática)
 - ③ Pulse los botones TEMP ③ para poner el n° de ajuste 02. (n° ajuste 02: con ventilador en velocidad automática)
- Si se ha equivocado al efectuar la operación, pulse el botón ON/OFF ⑤ y vuelva a empezar desde el procedimiento ②.
- ④ Pulse el botón SET con un objeto afilado. **MODEL SELECT** y el n° de modelo se iluminan durante 3 segundos y a continuación se apagan.



5. Manejo

5.5. Ajuste de la dirección del flujo de aire

<Para cambiar la dirección arriba/abajo del flujo de aire>

- Con la unidad en funcionamiento, pulse el botón Airflow arriba/abajo ⑥ tantas veces como sea necesario.
 - Cada pulsación cambia la dirección. La dirección actual se muestra en ⑥.
 - La secuencia de cambio y las configuraciones disponibles son las siguientes.

Flujo de aire	Pantalla
Modelo de 4 pasos	Oscilación 1 2 3 4
Modelo de 5 pasos *1	Oscilación Auto 1 2 3 4 5

* Recuerde que durante el funcionamiento oscilante (Swing), la indicación direccional en la pantalla no cambia en sincronización con los álabes direccionales en la unidad.

* Algunos modelos no admiten configuraciones direccionales.

*1 Únicamente para el control remoto MA, otro control remoto mostrará lo mismo que el modelo de 4 pasos.

*2 Ajuste de la dirección del flujo de aire <Auto>

COOL/FAN/DRY : Ajuste 1 (Horizontal), HEAT : Ajuste 5 (Hacia abajo 5)

Nota:

- Las direcciones disponibles dependen del tipo de unidad conectada. Recuerde, además, que algunas unidades no ofrecen una configuración "Automático".
- En los siguientes casos, la dirección real del aire diferirá de la dirección indicada en la pantalla del mando a distancia.
 1. Mientras la pantalla muestra "STAND BY" o "DEFROST".
 2. Inmediatamente después de iniciar el modo calentador (durante la espera para la realización del cambio de modo de funcionamiento).
 3. En modo calentador, cuando la temperatura ambiente de la sala sea superior a la configuración de la temperatura.

<[Manual] Para cambiar la dirección del aire Derecha/izquierda>

* El botón Louver ⑦ no se puede utilizar.

■ Modelo PKFY-P·VKM-E

- Detenga el funcionamiento de la unidad, sujete la palanca de la rejilla y ajústela en la dirección deseada.

* No los ajuste hacia adentro cuando la unidad esté en modo de refrigeración o secado, porque existe el riesgo de que se produzca condensación y gotee agua.



⚠ Cuidado:

Para evitar caídas, mantenga un buen equilibrio a la hora de manejar la unidad.

5.6. Ventilación

► Para combinación LOSSNAY

5.6.1. Para controlador remoto cableado

- Para hacer funcionar el renovador de aire junto con la unidad interior:
 - Pulse el botón ON/OFF ①.
 - El indicador Vent aparece en la pantalla (en ⑧). Ahora el renovador de aire funcionará automáticamente cuando funcione la unidad interior.
- Para hacer funcionar sólo el renovador de aire cuando la unidad interior no esté funcionando:
 - Pulse el botón Ventilación ⑨ mientras la unidad interior se encuentre apagada.
 - La lámpara de encendido (On) (en ⑩) y el indicador de Ventilación (en ⑧) se encenderán.
- Para cambiar la potencia del renovador de aire:
 - Pulse el botón Ventilación ⑨ según sea necesario.
 - Cada pulsación cambia la configuración según se muestra a continuación.



Nota:

- En las configuraciones de algunos modelos, el ventilador en la unidad interior puede activarse aun cuando se configure el renovador de aire para que funcione independientemente.

6. Temporizador

6.1. Para controlador remoto cableado

Puede utilizar la Selección de Función para seleccionar cuál de los tres tipos de temporizador utilizar: ① temporizador semanal, ② temporizador simple o ③ temporizador automático.

6.1.1. Temporizador semanal

■ El temporizador semanal puede utilizarse para configurar hasta ocho funciones para cada día de la semana.

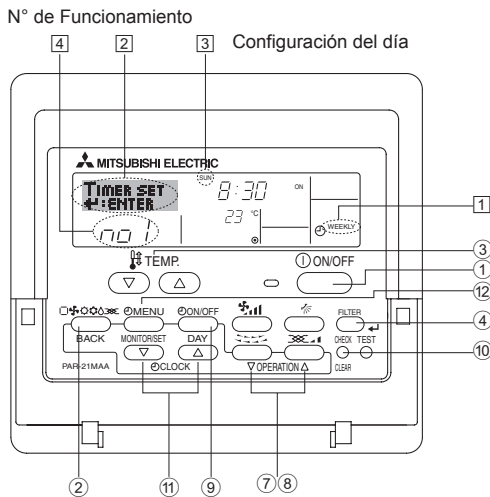
- Cada función puede consistir en cualquiera de las siguientes: hora de encendido y apagado junto a una configuración de la temperatura, sólo hora de encendido y apagado o sólo configuración de la temperatura.
- Cuando la hora actual alcanza la hora configurada en este temporizador, el acondicionador de aire realiza la acción configurada por el temporizador.

■ El tiempo necesario para la configuración de la hora para este temporizador es de 1 minuto.

Nota:

- *1. El temporizador semanal, el temporizador simple y el temporizador automático no pueden utilizarse al mismo tiempo.
- *2. El temporizador semanal no funcionará si se da alguna de las siguientes condiciones.

La función de temporizador está desactivada; el sistema se encuentra en un estado anómalo; hay una sesión de prueba en curso; se está llevando a cabo una autoprueba o una prueba del mando a distancia; el usuario está configurando una función; el usuario está configurando el temporizador; el usuario está configurando el día actual de la semana o la hora; el sistema se encuentra bajo el control central. En concreto, el sistema no llevará a cabo operaciones (encendido o apagado de la unidad, configuración de la temperatura) que estén desactivadas cuando se produzcan estas condiciones.



<Cómo configurar el temporizador semanal>

1. Asegúrese de que se encuentra en la pantalla de control estándar y de que el indicador del temporizador semanal se muestra en la pantalla.
2. Pulse el botón Timer Menu de modo que aparezca en la pantalla "Set Up" (en). (Recuerde que cada pulsación del botón cambia la pantalla entre "Set Up" y "Monitor").
3. Pulse el botón Timer On/Off (Set Day) para configurar el día. Cada pulsación avanza la pantalla a la próxima configuración en la secuencia que se indica a continuación: "Sun Mon Tues Wed Thurs Fri Sat" → "Sun" → ... (Domingo Lunes Martes Miércoles Jueves Viernes Sábado → Domingo) → "Fri" → "Sat" → "Sun Mon Tues Wed Thurs Fri Sat"... (Viernes → Sábado → Domingo Lunes Martes Miércoles Jueves Viernes Sábado).
4. Pulse el botón o de funcionamiento (o) según sea necesario para seleccionar el número de operación apropiado (1 a 8) .
 - * La información introducida en los Pasos 3 y 4 seleccionará una de las celdas de la matriz ilustrada a continuación. (La pantalla del mando a distancia en la izquierda muestra cómo se mostraría la pantalla cuando se configura Operación 1 para el domingo con los valores indicados a continuación).

Matriz de configuración

N° de op.	Domingo	Lunes	...	Sábado
N° 1	• 8:30 • ON • 23 °C			
N° 2	• 10:00 • OFF	• 10:00 • OFF	• 10:00 • OFF	• 10:00 • OFF
...				
N° 8				

<Valores de Operación 1 para el domingo>
Iniciar el funcionamiento del acondicionador de aire a las 8:30, con la temperatura fijada en 23 °C.

<Valores de Operación 2 para todos los días>
Apagar el acondicionador de aire a las 10:00.

Nota:

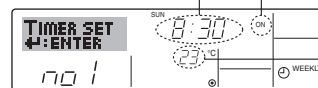
Configurando el día a "Sun Mon Tues Wed Thurs Fri Sat", puede configurar la misma operación a la misma hora todos los días. (Por ejemplo: la Operación 2 arriba mencionada es la misma para todos los días de la semana).

<Configuración del temporizador semanal>

Muestra la configuración de la hora

Muestra la operación seleccionada (encendido o apagado)

* No aparece si no se ha configurado la operación.



Muestra la temperatura fijada
* No aparece si no se ha fijado la temperatura.

5. Pulse el botón Set Time apropiado según sea necesario para fijar la hora deseada (en).
 - * Durante su pulsación, la hora avanza primero en intervalos de un minuto, luego en intervalos de diez minutos y finalmente en intervalos de una hora.
6. Pulse el botón ON/OFF para seleccionar la operación deseada (encendido o apagado), en .
 - * Cada pulsación cambia al siguiente valor en la secuencia que se indica a continuación: sin indicación (sin configuración) → "ON" → "OFF".

6. Temporizador

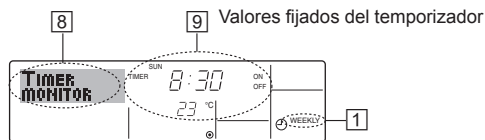
- Pulse el botón Set Temperature apropiado ③ para fijar la temperatura deseada (en ⑦).
- Cada pulsación cambia la configuración en la secuencia que se indica a continuación: sin indicación (sin configuración) ⇔ 24 ⇔ 25 ⇔ ... ⇔ 29 ⇔ 30 ⇔ 12 ⇔ ... ⇔ 23 ⇔ sin indicación. (Rango disponible: el rango de configuración es de 12 °C a 30 °C. El rango real de control de temperatura, sin embargo, variará según el tipo de unidad conectada).
- Después de realizar las configuraciones apropiadas en los Pasos 5, 6 y 7, pulse el botón Filter ④ para guardar los valores. Para borrar los valores actualmente configurados para la operación seleccionada, pulse y suelte rápidamente el botón Check (Clear) ⑩ una vez.
 - El valor de la hora mostrada cambiará a "—" y desaparecerán tanto los valores de encendido/apagado como el de temperatura. (Para borrar todas las configuraciones del temporizador semanal de una vez, mantenga pulsado el botón Check (Clear) ⑩ durante 2 o más segundos. La pantalla comenzará a parpadear, indicando que se han borrado todos los valores fijados).

Nota:

Sus datos nuevos se cancelarán si pulsa el botón Modo de funcionamiento (back (atrás)) ② antes de pulsar el botón Filter ④. Si ha configurado dos o más operaciones diferentes para la misma hora exactamente, sólo se realizará la operación con el número más elevado.

- Repita los Pasos 3 a 8 según sea necesario para completar tantas celdas disponibles como desee.
- Pulse el botón Modo de funcionamiento (back (atrás)) ② para regresar a la pantalla de control estándar y completar el procedimiento de configuración.
- Para activar el temporizador, pulse el botón Timer On/Off ⑨, de modo que el indicador "Timer Off" desaparezca de la pantalla. **Asegúrese de que ya no se muestre el indicador "Timer Off".**
 - Si no hay valores fijados del temporizador, el indicador "Timer Off" parpadeará en la pantalla.

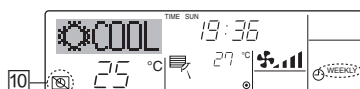
<Cómo visualizar los valores fijados del temporizador semanal>



- Asegúrese de que se muestra en la pantalla el indicador del temporizador semanal (en ①).
- Pulse el botón Timer Menu ② de modo que se indique en la pantalla "Monitor" (en ⑧).
- Pulse el botón Timer On/Off (Set Day) ③ según sea necesario para seleccionar el día que desea visualizar.
- Pulse el botón de funcionamiento ∇ o Δ (⑦ o ⑧) según sea necesario para cambiar el funcionamiento del temporizador mostrado en la pantalla (en ⑨).
 - Cada pulsación, avanzará a la próxima operación del temporizador, en el orden de configuración de la hora.
- Para cerrar el monitor y regresar a la pantalla Standard Control, pulse el botón Modo de funcionamiento (back (atrás)) de ②.

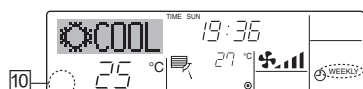
<Para desactivar el temporizador semanal>

Pulse el botón Timer On/Off ⑨ de modo que aparezca "Timer Off" en ⑩.



<Para activar el temporizador semanal>

Pulse el botón Timer On/Off ⑨ de modo que el indicador "Timer Off" (en ⑩) se oscurezca.

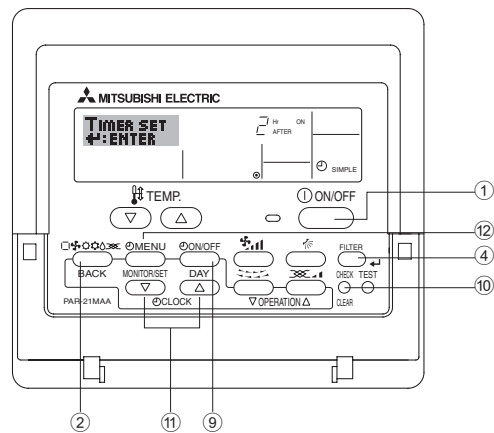


6.1.2. Temporizador simple

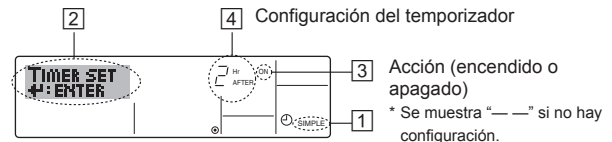
- Puede configurar el temporizador simple de cualquiera de las tres formas siguientes.
 - Sólo hora de puesta en marcha: el acondicionador de aire comenzará a funcionar cuando haya transcurrido el tiempo fijado.
 - Sólo hora de parada: el acondicionador de aire se detendrá cuando haya transcurrido el tiempo fijado.
 - Horas de puesta en marcha y de parada: el acondicionador de aire comienza a funcionar y se detiene cuando hayan transcurrido las horas respectivas.
- El temporizador simple (puesta en marcha y parada) puede configurarse sólo una vez en un periodo de 72 horas. La configuración de la hora se realiza en aumentos de una hora.

Nota:

- El temporizador semanal, el temporizador simple y el temporizador automático no pueden utilizarse al mismo tiempo.
- El temporizador simple no funcionará si se da cualquiera de las condiciones siguientes. El temporizador está desactivado, el sistema está en estado anómalo, está realizándose una prueba de funcionamiento, el mando a distancia está realizando una autoevaluación o diagnóstico, el usuario está seleccionando una función o configurando el temporizador, el sistema está bajo control central. (En estas condiciones, la operación de encendido y apagado está deshabilitada).



<Cómo configurar el temporizador simple>



- Asegúrese de que se encuentra en una pantalla de control estándar y de que el indicador de temporizador simple se muestra en la pantalla (en ①). Cuando aparezca una indicación distinta de la del temporizador simple, cámbielo a SIMPLE TIMER (TEMPORIZADOR SIMPLE) utilizando la selección de funciones de la configuración de funciones del temporizador del mando a distancia (véase 8.[4]-3 (3)).
- Pulse el botón Timer Menu ②, de modo que aparezca en la pantalla "Set Up" (en ②). (Recuerde que cada pulsación del botón cambia la pantalla entre "Set Up" y "Monitor").
- Pulse el botón ON/OFF ① para mostrar los valores configurados actuales de encendido o apagado del temporizador simple. Pulse el botón una vez para ver el tiempo restante hasta el encendido y luego de nuevo para ver el tiempo restante hasta el apagado. (El indicador ON/OFF aparece en ③).
 - Temporizador "ON": el acondicionador de aire comenzará a funcionar cuando haya transcurrido el número de horas especificado.
 - Temporizador "OFF": el acondicionador de aire se detendrá cuando haya transcurrido el número de horas especificado.
- Mostrando "ON" u "OFF" en ③: pulse el botón Set Time ⑩ apropiado según sea necesario para fijar las horas hasta el encendido (si se muestra "ON") o las horas hasta el apagado (si se muestra "OFF" en ④).
 - Rango disponible: 1 a 72 horas
- Para fijar las horas hasta el encendido y el apagado, repita los Pasos 3 y 4.
 - Recuerde que las horas de encendido y apagado no pueden fijarse en el mismo valor.
- Para borrar la configuración de encendido o apagado actual: Muestre el valor configurado de encendido o apagado (véase el paso 3) y luego pulse el botón Check (Clear) ⑩ para borrar la configuración de la hora a "—" en ④. (Si desea utilizar sólo un valor de configuración de encendido o una configuración de apagado, asegúrese de que la configuración que no desea utilizar se muestra como "—").

6. Temporizador

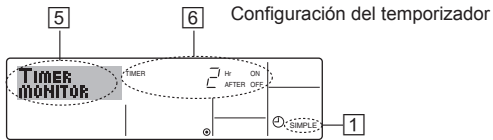
7. Después de completar los Pasos 3 y 6 arriba mencionados, pulse el botón \leftarrow Filter ④ para fijar el valor.

Nota:
Sus configuraciones nuevas se cancelarán si pulsa el botón Modo de funcionamiento (back (atrás)) ② antes de pulsar el botón \leftarrow Filter ④.

8. Pulse el botón Modo de funcionamiento (back (atrás)) ② para regresar a la pantalla de control estándar.

9. Pulse el botón Timer On/Off ⑨ para iniciar la cuenta atrás del temporizador. Cuando el temporizador está funcionando, su valor es visible en la pantalla. **Asegúrese de que el valor del temporizador sea visible y apropiado.**

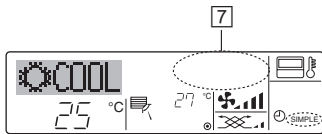
<Visualización de las configuraciones actuales del temporizador simple>



1. Asegúrese de que el indicador del temporizador simple está visible en la pantalla (en ⑤).
2. Pulse el botón Timer Menu ⑥, para que aparezca "Monitor" en la pantalla (en ⑤).
 - Si el temporizador simple de encendido o apagado está funcionando, su valor actual aparecerá en ⑥.
 - Si se han fijado ambos valores, encendido y apagado, aparecen alternativamente ambos valores.
3. Pulse el botón Modo de funcionamiento (back (atrás)) ② para cerrar la pantalla del monitor y regresar a la pantalla de control estándar.

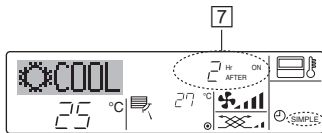
<Para desactivar el temporizador simple...>

Pulse el botón Timer On/Off ⑨ para que la configuración del temporizador ya no aparezca en la pantalla (en ⑦).



<Para iniciar el temporizador simple...>

Pulse el botón Timer On/Off ⑨ para que la configuración del temporizador sea visible en ⑦.



Ejemplos

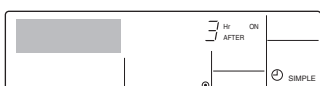
Si se han configurado las horas de encendido y apagado en el temporizador simple, el funcionamiento y la pantalla son según se indica a continuación.

Ejemplo 1:

Inicie el temporizador, con la hora de encendido fijada más temprano que la hora de apagado.

Configuración de encendido: 3 horas

Configuración de apagado: 7 horas



Al inicio del temporizador
La pantalla muestra la configuración de encendido del temporizador (las horas restantes para llegar al encendido).



3 horas después del inicio del temporizador
La pantalla cambia para mostrar el valor de apagado del temporizador (las horas restantes para el apagado).
La hora mostrada es el valor configurado de apagado (7 horas) "- el valor" configurado de encendido (3 horas) = 4 horas.



7 horas después del inicio del temporizador
El acondicionador de aire se desactiva y permanecerá desactivado hasta que alguien lo reinicie.

Ejemplo 2:

Inicie el temporizador, con la hora de apagado fijada más temprano que la hora de encendido

Configuración de encendido: 5 horas

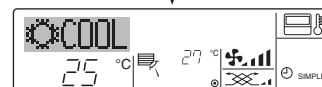
Configuración de apagado: 2 horas



Al inicio del temporizador
La pantalla muestra el valor de apagado del temporizador (las horas restantes para el apagado).



2 horas después del inicio del temporizador
La pantalla cambia para mostrar el valor de encendido del temporizador (las horas restantes para el encendido).
La hora indicada es el valor configurado de encendido (5 horas) "- el valor" configurado de apagado (2 horas) = 3 horas.



5 horas después del inicio del temporizador
El acondicionador de aire comienza a funcionar y continuará funcionando hasta que alguien lo detenga.

6.1.3. Temporizador de apagado automático

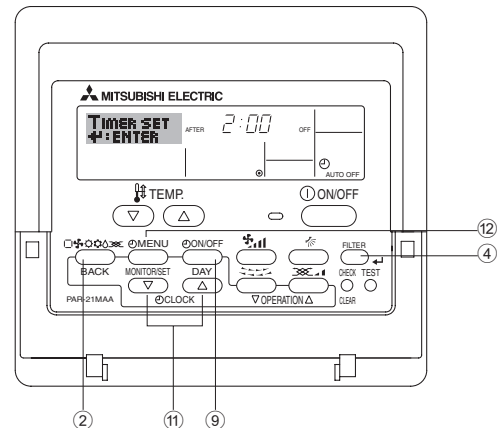
- Este temporizador comienza la cuenta atrás cuando el acondicionador de aire comienza a funcionar y apaga el acondicionador cuando haya transcurrido el tiempo fijado.
- Los valores disponibles abarcan desde 30 minutos a 4 horas, en intervalos de 30 minutos.

Nota:

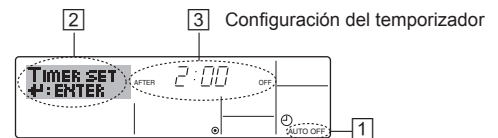
*1. El temporizador semanal, el temporizador simple y el temporizador automático no pueden utilizarse al mismo tiempo.

*2. El temporizador Auto Off no funcionará si se dan cualquiera de las siguientes condiciones.

El temporizador está desactivado, el sistema está en estado anómalo, está realizándose una prueba de funcionamiento, el mando a distancia está realizando una autoevaluación o diagnóstico, el usuario está seleccionando una función o configurando el temporizador, el sistema está bajo control central. (En estas condiciones, la operación de encendido y apagado está deshabilitada).



<Cómo configurar el temporizador de apagado automático>



1. Asegúrese de que usted se encuentre en una pantalla de control estándar y que el indicador del temporizador de apagado automático Auto Off se muestre en la pantalla (en ①).
Cuando aparezca una indicación distinta de la del temporizador de apagado automático, cámbielo a AUTO OFF TIMER (TEMPORIZADOR DE APAGADO AUTOMÁTICO) utilizando la selección de funciones de la configuración de funciones del temporizador del mando a distancia (véase 8.[4]-3 (3)).
2. Mantenga pulsado el botón Timer Menu ② durante 3 segundos, para que aparezca "Set Up" en la pantalla (en ②).
(Recuerde que cada pulsación del botón cambia la pantalla entre "Set Up" y "Monitor").
3. Pulse el botón Set Time apropiado ③ según sea necesario para configurar la hora de apagado (en ③).
4. Pulse el botón \leftarrow Filter ④ para fijar la configuración.

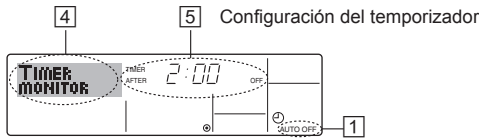
Nota:

Los datos introducidos se cancelarán si pulsa el botón Modo de funcionamiento (back (atrás)) ② antes de pulsar el botón \leftarrow Filter ④.

5. Pulse el botón Modo de funcionamiento (back (atrás)) ② para completar el procedimiento de configuración y regresar a la pantalla de control estándar.
6. Si el acondicionador de aire ya está funcionando, el temporizador comienza inmediatamente la cuenta atrás. **Asegúrese de comprobar que el valor fijado del temporizador aparece correctamente en la pantalla.**

6. Temporizador

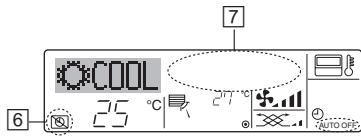
<Comprobación de la configuración actual del temporizador de apagado automático>



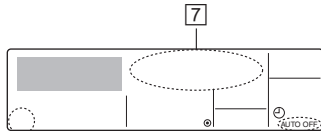
1. Asegúrese de que "Auto Off" esté visible en la pantalla (en 1).
2. Mantenga pulsado el botón Timer Menu (2) durante 3 segundos, para que se indique en la pantalla "Monitor" (en 4).
 - El tiempo restante para el apagado aparece en 5.
3. Para cerrar el monitor y regresar a la pantalla Standard Control, pulse el botón Modo de funcionamiento (back (atrás)) de 2.

<Para desactivar temporizador de apagado automático...>

- Mantenga pulsado el botón Timer On/Off (9) durante 3 segundos para que aparezca "Timer Off" (en 6) y desaparezca el valor del temporizador (en 7).

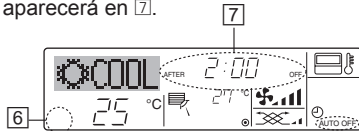


- Alternativamente, desconecte el acondicionador de aire. El valor del temporizador (en 7) desaparecerá de la pantalla.



<Para iniciar el temporizador de apagado automático...>

- Mantenga pulsado el botón Timer On/Off (9) durante 3 segundos. Desaparece la indicación "Timer Off" (en 6) y la configuración del temporizador aparece en la pantalla (en 7).
- Alternativamente, encienda el acondicionador de aire. El valor del temporizador aparecerá en 7.



7. Otras funciones

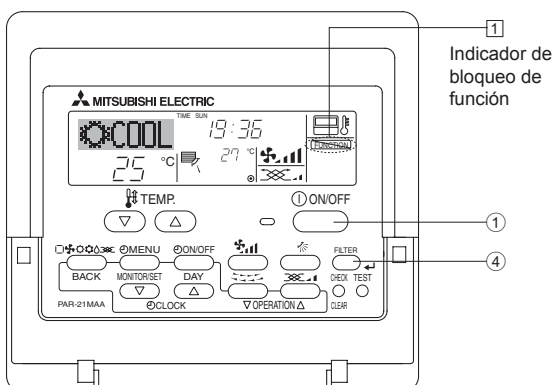
7.1. Bloqueo de los botones del mando a distancia (límite de función de Operación)

- Si lo desea, puede bloquear los botones del mando a distancia. Puede utilizar la selección de funciones del mando a distancia para elegir el tipo de bloqueo de función que desea usar. (Para más información sobre selección del tipo de bloqueo, consulte la sección 8, punto [4]-2 (1)). Específicamente, puede utilizar cualquiera de los dos tipos de bloqueo de funciones que se indican a continuación.

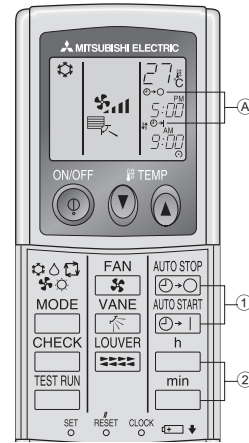
- 1 Bloquear todos los botones: bloquea todos los botones en el mando a distancia.
- 2 Bloquear todo excepto ON/OFF (encendido/apagado): bloquea todos los botones excepto el botón ON/OFF.

Nota:

Aparece en la pantalla el indicador "bloqueo de función" para indicar que los botones están bloqueados en este momento.



6.2. Para controlador remoto inalámbrico



- 1 Presione el botón (AUTO STOP) o (AUTO START) (TIMER SET).
 - Se puede fijar la hora mientras parpadee el símbolo siguiente.
 - Temporizador de apagado: Parpadea (A) (1)-(0).
 - Temporizador de encendido: Parpadea (A) (1)-(1).
 - 2 Use los botones h y min para fijar la hora deseada.
 - 3 Cancelación del temporizador.
 - Para cancelar el temporizador de apagado, presione el botón (AUTO STOP).
 - Para cancelar el temporizador de encendido, presione el botón (AUTO START).
- Es posible combinar el temporizador de encendido con el de apagado.
- Al presionar el botón (ON/OFF) del mando a distancia durante el modo de temporizador para parar la unidad se cancelarán los temporizadores.
- Si no ha ajustado la hora actual, no podrá utilizar la función del temporizador.

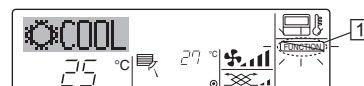
<Cómo bloquear los botones>

1. Mientras pulsa el botón Filter (4), pulse y mantenga pulsado el botón ON/OFF (1) durante 2 segundos. Aparece en la pantalla el indicador "bloqueo de función" (en 1) indicando que está activado el bloqueo de función.

- * Si el bloqueo se ha deshabilitado en Function Selection, la pantalla mostrará el mensaje "Not Available" (no disponible) cuando pulse los botones según se describe anteriormente.

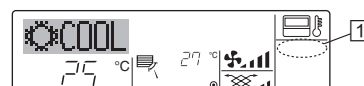


- Si pulsa un botón bloqueado, parpadeará en la pantalla el indicador "bloqueo de función" (en 1).



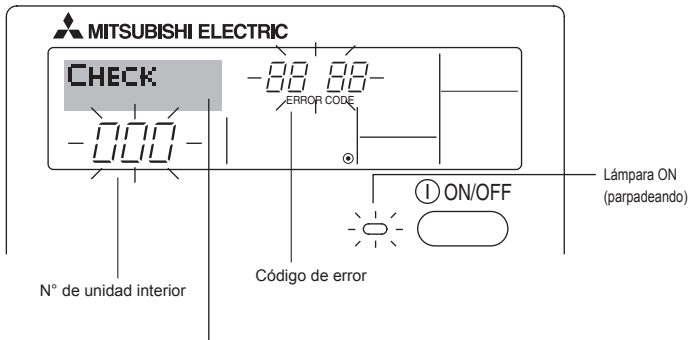
<Cómo desbloquear los botones>

1. Mientras pulsa el botón Filter (4), pulse y mantenga pulsado el botón ON/OFF (1) durante 2 segundos para que el indicador "bloqueo de función" desaparezca de la pantalla (en 1).



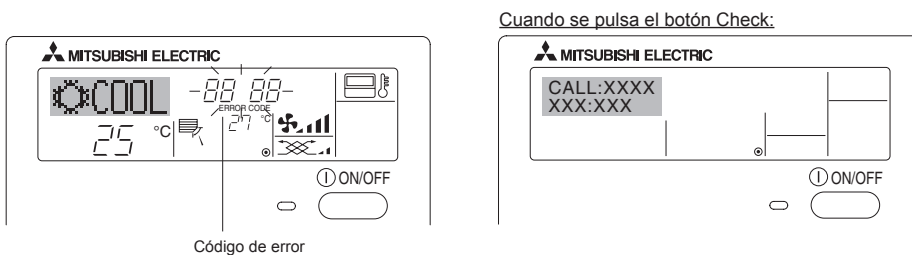
7. Otras funciones

7.2. Indicación de códigos de error



Si ha introducido un número telefónico al cual llamar en caso de problemas, la pantalla mostrará este número. (Puede configurarlo en la Selección de Función. Para más información, consulte la sección 8).

- Si parpadean la lámpara ON y el código de error: esto significa que el acondicionador de aire está estropeado y su funcionamiento se ha detenido (y no puede reanudarse). Tome nota del número de unidad indicado y del código de error; luego desconecte la alimentación del acondicionador de aire y llame a su distribuidor o proveedor de servicio técnico.



- Si sólo parpadea el código de error (mientras la lámpara ON permanece encendida): continúa el funcionamiento, pero puede existir un problema en el sistema. En este caso, debe anotar el código de error y luego llamar a su distribuidor o proveedor de servicio técnico para asesoramiento.
- * Si ha introducido un número de teléfono al cual llamar en caso de problemas, pulse el botón Check para mostrarlo en la pantalla. (Puede configurarlo en la Selección de Función. Para más información, consulte la sección 8).

8. Selección de función

Selección de funciones del controlador remoto

El ajuste de las siguientes funciones del controlador remoto se puede cambiar utilizando el modo Selección de función del controlador remoto. Cambie el ajuste cuando sea necesario.

Ítem 1	Ítem 2	Ítem 3 (Contenido de ajuste)
1. Cambio de idioma ("CHANGE LANGUAGE")	Ajuste del idioma que aparece en el indicador	• El indicador puede aparecer en distintos idiomas
2. Límite de funciones ("SELECCIÓN DE FUNCIONES")	(1) Ajuste del límite de funciones (bloqueo de funciones) ("FUNCIÓN BLOQUEADA")	• Ajuste del rango de límite de funcionamiento (bloqueo de funcionamiento)
	(2) Uso del ajuste de modo automático ("SELECCIÓN MODO AUTO")	• Ajuste del uso (o no) del modo de funcionamiento "automático"
	(3) Ajuste del límite de rango de temperatura ("LIMIT TEMP CONSIGNA")	• Ajuste del rango de temperatura (máximo, mínimo)
3. Selección de modo ("SELECCIÓN DE MODO")	(1) Ajuste del controlador remoto principal/secundario ("CONTROL PRINCIPAL/SECUNDARIO")	• Selección del controlador remoto principal o secundario * Si se conectan dos controladores remotos a un grupo, uno de los controladores debe seleccionarse como secundario.
	(2) Uso del ajuste del reloj ("RELOJ")	• Ajuste del uso (o no) de la función de reloj
	(3) Ajuste de la función de temporizador ("TEMPORIZA-DOR SEMANAL")	• Ajuste del tipo de temporizador
	(4) Ajuste de número de contacto en caso de error ("CALL.")	• Indicador del número de contacto en caso de error • Ajuste del número de teléfono
4. Cambio de indicador ("MOSTRAR MODO")	(1) Ajuste del indicador de temperatura °C/°F ("TEMP. GRADOS °C/°F")	• Ajuste de la unidad de temperatura (°C o °F) que debe aparecer en el indicador
	(2) Ajuste del indicador de temperatura del aire de aspiración ("MOSTRAR TEMP.")	• Ajuste del uso (o no) del indicador de temperatura del aire (aspiración) del interior
	(3) Ajuste del indicador de refrigeración/calefacción automática ("MOSTRAR F/C EN AUTO")	• Ajuste del uso (o no) del indicador de "Cooling" (Refrigeración) o "Heating" (Calefacción) durante el funcionamiento en modo automático

8. Selección de función

[Diagrama de flujo de selección de función]
Idioma ajustado (inglés)

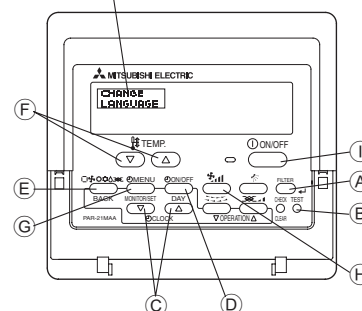
Indicador normal (Indicador que aparece cuando el acondicionador de aire está apagado)

Mantenga pulsado el botón (E) y presione el botón (G) durante 2 segundos.

Mantenga pulsado el botón (E) y presione el botón (G) durante 2 segundos.

- (E) Pulse el botón de modo de funcionamiento.
- (G) Pulse el botón TIMER MENU (MENÚ DE TEMPORIZADOR).
- (G) Pulse el botón TIMER ON/OFF (ACTIVAR/DESACTIVAR TEMPORIZADOR).

Indicador de puntos

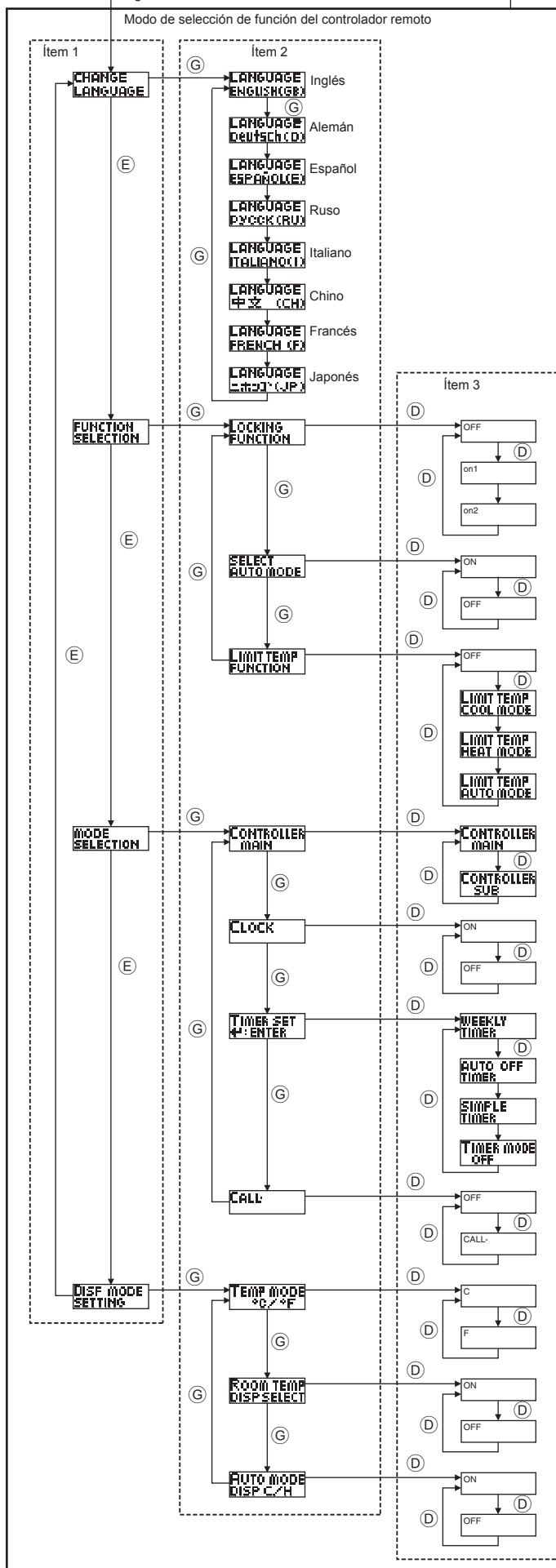


Cambio de idioma

Selección de función

Selección de Modo de funcionamiento

Cambio de indicador



- El ajuste de bloqueo de función no se utiliza (valor de ajuste inicial).
- El bloqueo de funcionamiento está ajustado excepto para los botón On/Off (encendido y apagado).
- El bloqueo de funcionamiento está ajustado para todos los botones.
- El modo automático aparece al seleccionar el modo de funcionamiento (valor de ajuste inicial).
- El modo automático no aparece al seleccionar el modo de funcionamiento.
- El límite de rango de temperatura no está activo (valor de ajuste inicial).
- El rango de temperatura se puede cambiar en modo de frío/secado.
- El rango de temperatura se puede cambiar en modo de calor.
- El rango de temperatura se puede cambiar en modo automático.
- El controlador remoto será el controlador principal (valor de ajuste inicial).
- El controlador remoto será el controlador secundario.
- Se puede utilizar la función de reloj (valor de ajuste inicial).
- La función de reloj no se puede utilizar.
- Se puede utilizar el temporizador semanal (valor de ajuste inicial).
- Se puede utilizar el temporizador de apagado automático.
- Se puede utilizar el temporizador simple.
- No se puede utilizar el modo de temporizador.
- Los números de contacto ajustados no aparecen en caso de error (valor de ajuste inicial).
- Los números de contacto ajustados aparecen en caso de error.
- Se utiliza la unidad de temperatura °C (valor de ajuste inicial).
- Se utiliza la unidad de temperatura °F.
- Aparece la temperatura del aire de la habitación (valor de ajuste inicial).
- No aparece la temperatura del aire de la habitación.
- "Automatic cooling" (Refrigeración automática) o "Automatic heating" (Calefacción automática) aparece cuando está en funcionamiento el modo automático (valor de ajuste inicial).
- En el modo automático, sólo aparece "Automatic" (Automático).

8. Selección de función

[Ajuste detallado]

[4]-1. Ajuste de Cambio de idioma

Se puede seleccionar el idioma que aparece en el indicador de puntos.

- Presione el botón [MENU] para cambiar el idioma.
 - ① Inglés (GB), ② Alemán (D), ③ Español (E), ④ Ruso (RU), ⑤ Italiano (I), ⑥ Chino (CH), ⑦ Francés (F), ⑧ Japonés (JP)

Consulte la tabla del indicador de puntos.

[4]-2. Límite de funciones

(1) Ajuste del límite de funciones (bloqueo de funciones)

- Para cambiar el ajuste, presione el botón [ON/OFF].
 - ① no1 : Se realiza el ajuste de bloqueo de funcionamiento en todos los botones salvo en el botón [ON/OFF].
 - ② no2 : Se realiza el ajuste de bloqueo de funcionamiento en todos los botones.
 - ③ OFF (Valor del ajuste inicial): No se realiza el bloqueo de funcionamiento.
- * Para que el bloqueo de funcionamiento sea válido en la pantalla normal, hay que presionar los botones (Presione y mantenga pulsados a la vez los botones [FILTER] y [ON/OFF] durante 2 segundos) en la pantalla normal una vez que se ha realizado el ajuste anterior.

(2) Uso del ajuste de modo automático

Cuando se conecta el controlador remoto a la unidad que tiene ajustado el modo funcionamiento automático, se pueden realizar los siguientes ajustes.

- Para cambiar el ajuste, presione el botón [ON/OFF].
 - ① ON (Valor del ajuste inicial): Aparece el modo automático cuando se selecciona el modo de funcionamiento.
 - ② OFF: No aparece el modo automático cuando se selecciona el modo de funcionamiento.

(3) Ajuste del límite de rango de temperatura

Una vez que se realiza el ajuste, se puede cambiar la temperatura dentro del rango establecido.

- Para cambiar el ajuste, presione el botón [ON/OFF].
 - ① LIMIT TEMP MODO FRÍO: El rango de temperatura se puede cambiar en modo frío/secado.
 - ② LIMIT TEMP MODO CALOR: El rango de temperatura se puede cambiar en modo calor.
 - ③ LIMIT TEMP MODO AUTO: El rango de temperatura se puede cambiar en modo automático.
 - ④ OFF (ajuste inicial): No está activo el límite de rango de temperatura.
- * Cuando se ajusta una posición distinta de la de desactivación (OFF), se ajusta a la vez el límite de rango de temperatura en modo frío, calor y automático. No obstante, no se puede limitar el rango cuando no ha cambiado el rango de temperatura establecido.
- Para disminuir o aumentar la temperatura, presione el botón [TEMP. (▽) o (△)].
 - Para cambiar el ajuste de límite superior y el ajuste de límite inferior, presione el botón [TEMP. (▽) o (△)]. El ajuste seleccionado parpadeará y ya se puede ajustar la temperatura.
- Rango ajustable

Modo frío/Secado:	Límite inferior: 19°C a 30°C	Límite superior: 30°C a 19°C
Modo calor:	Límite inferior: 17°C a 28°C	Límite superior: 28°C a 17°C
Modo Automático:	Límite inferior: 19°C a 28°C	Límite superior: 28°C a 19°C

[4]-3. Ajuste de selección de Modo de funcionamiento

(1) Ajuste del controlador remoto principal/secundario

- Para cambiar el ajuste, presione el botón [ON/OFF].
 - ① Principal: El controlador será el principal.
 - ② Secundario: El controlador será el secundario.

(2) Uso del ajuste del reloj

- Para cambiar el ajuste, presione el botón [ON/OFF].
 - ① ON: Se puede usar la función de reloj.
 - ② OFF: No se puede usar la función de reloj.

(3) Ajuste de la función de temporizador

- Para cambiar el ajuste, presione el botón [ON/OFF] (Elija una de las siguientes funciones).
 - ① TEMPORIZADOR SEMANAL (Valor del ajuste inicial): Se puede usar el temporizador semanal.
 - ② APAGADO AUTOMÁTICO: Se puede usar el temporizador de desactivación automática.
 - ③ TEMPORIZADOR SIMPLE: Se puede usar el temporizador simple.
 - ④ TEMPORIZADOR APAGADO: No se puede usar el modo temporizador.
- * Cuando el uso del ajuste de reloj está desactivado (OFF), no se puede usar el "TEMPORIZADOR SEMANAL".

(4) Ajuste de número de contacto en caso de error

- Para cambiar el ajuste, presione el botón [ON/OFF].
 - ① CALL OFF: Los números de contacto establecidos no aparecen en el indicador en caso de error.
 - ② CALL **** * : Los números de contacto establecidos aparecen en el indicador en caso de error.
CALL_ : El número de contacto se puede ajustar cuando el indicador aparece según se muestra a la izquierda.
- Ajuste de los números de contacto
Para ajustar los números de contacto, proceda del siguiente modo.
Mueva el cursor parpadeante para ajustar los números. Presione el botón [TEMP. (▽) y (△)] para mover el cursor a la derecha (izquierda). Presione el botón [CLOCK (▽) y (△)] (Reloj) para ajustar los números.

[4]-4. Ajuste del cambio de indicador

(1) Ajuste del indicador de temperatura °C/°F

- Para cambiar el ajuste, presione el botón [ON/OFF].
 - ① °C: Se utiliza la unidad de temperatura en °C.
 - ② °F: Se utiliza la unidad de temperatura en °F.

(2) Ajuste del indicador de temperatura del aire de aspiración

- Para cambiar el ajuste, presione el botón [ON/OFF].
 - ① ON: Aparece la temperatura del aire de aspiración.
 - ② OFF: No aparece la temperatura del aire de aspiración.

(3) Ajuste del indicador de refrigeración/calefacción automática

- Para cambiar el ajuste, presione el botón [ON/OFF].
 - ① ON: Aparece la posición "Automatic cooling" (Refrigeración automática) o "Automatic heating" (Calefacción automática) en el modo automático.
 - ② OFF: Sólo aparece la posición "Automatic" (Automático) en el modo automático.

8. Selección de función

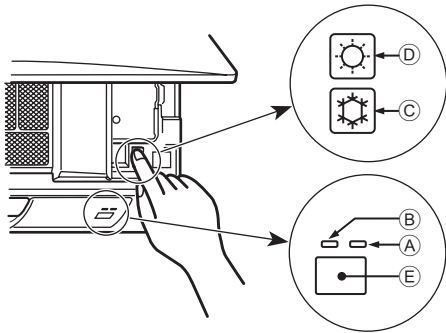
[Tabla del indicador de puntos]

Idioma ajustado	Inglés	Alemán	Español	Ruso	Italiano	Chino	Francés	Japonés	
Tiempo de espera de arranque	PLEASE WAIT	←	←	←	←	←	←	←	
Modo de funcionamiento	Enfriamiento	COOL	Kühlen	FRÍO	Холод	COOL	FROID	冷房	
	Secado	DRY	Trocknen	DESHUMIDIFICACIÓN	Сушка	DRY	DESHU	ドライ	
	Calefacción	HEAT	Heizen	CALOR	Тепло	HEAT	CHAUD	暖房	
	Automático	AUTO	AUTO	AUTOMÁTICO	Авто	AUTO	AUTO	自動	
	Automático (Enfriamiento)	COOL	Kühlen	FRÍO	Холод	COOL	FROID	冷房	
	Automático (Calefacción)	HEAT	Heizen	CALOR	Тепло	HEAT	CHAUD	暖房	
	Ventilador	FAN	Lüfter	VENTILACIÓN	ВЕНТ	VENTILAZIONE	送風	VENTILATION	送風
	Ventilación	VENTILATION	Gelüftebetrieb	VENTILACIÓN	ВЕНТИЛЯЦИЯ	ARIA ESTERNA	换气	VENTILATION	换气
	Espera (calentando)	STAND BY	STAND BY	CALENTANDO	ОБОГРЕВ: ПАУЗА	STAND BY	准备中	PRE CHAUFFAGE	準備中
Descongelación	DEFROST	Alttauen	DESCONGELACIÓN	ОТТАВАНИЕ	SBRINAMENTO	除霜中	DEGIVRAGE	霜取中	
Temperatura ajustada	SET TEMP	TEMP einstellen	TEMP. CONSIGNA	ЦЕЛЕВАЯ ТЕМПЕРАТУРА	IMPOSTAZIONE TEMPERATURA	设定温度	REGLAGE TEMPERATURE	設定温度	
Velocidad del ventilador	FAN SPEED	Lüftergeschwindigkeit	VELOCIDAD VENTILADOR	СКОРОСТЬ ВЕНТИЛЯТОРА	VELOCITA' VENTILATORE	风速	VITESSE DE VENTILATION	風速	
Botón no disponible	NOT AVAILABLE	nicht verfügbar	NO DISPONIBLE	НЕ ДОСТУПНО	NON DISPONIBILE	无效按钮	NON DISPONIBLE	無効ボタン	
Comprobación (error)	CHECK	Prüfen	COMPROBAR	ПРОВЕРКА	CHECK	检查	CONTROLE	点検	
Prueba de funcionamiento	TEST RUN	Testbetrieb	TEST FUNCIONAMIENTO	ТЕСТОВЫЙ ЗАПУСК	TEST RUN	试运行	TEST	試運転	
Auto-revisión	SELF CHECK	Selbst-diagnose	AUTO REVISIÓN	САМОАНАЛОГИКА	SELF CHECK	自我诊断	AUTO CONTROLE	自己診断	
Selección de función en la unidad	FUNCTION SELECTION	Funktion Auswählen	SELECCIÓN DE FUNCIÓN	ВЫБОР ФУНКЦИИ	SELEZIONE FUNZIONI	功能选择	SELECTION FUNCTIONS	メニュー選択	
Ajuste de ventilación	SETTING OF VENTILATION	Lüfterstufen wählen	CONFIG. VENTILACIÓN	НАСТРОЙКА ВЕНТУСТАЯ	IMPOSTAZIONE ARIA ESTERNA	换气设定	SELECTION VENTILATION	换气設定	

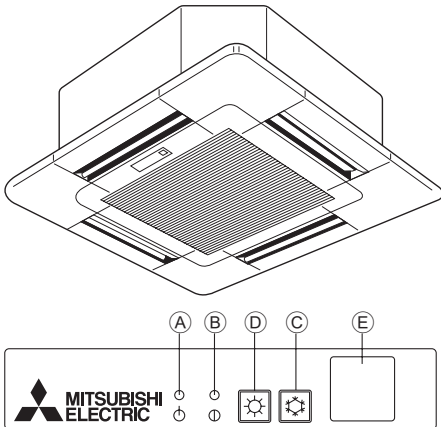
Idioma ajustado	Inglés	Alemán	Español	Ruso	Italiano	Chino	Francés	Japonés
Cambio de idioma	CHANGE LANGUAGE	←	←	←	←	←	←	←
Selección de función	FUNCTION SELECTION	Funktion Auswählen	SELECCIÓN DE FUNCIONES	ВЫБОР ФУНКЦИИ	SELEZIONE FUNZIONI	功能限制	SELECTION FUNCTIONS	メニュー制限
Ajuste de límite de funcionamiento de una operación	LOCKING FUNCTION	Sperre - Funktion	FUNCION BLOQUEADA	ФУНКЦИЯ БЛОКИРОВАН	BLOCCO FUNZIONI	操作限制	BLOCAGE FUNCTIONS	操作ロック
Utilización del ajuste de modo automático	SELECT AUTO MODE	Auswahl Auto Betrieb	SELECCIÓN MODO AUTO	ВЫБОР РЕЖИМА АВТО	SELEZIONE MODO AUTO	自动模式	SELECTION DU MODO AUTO	自動モード
Ajuste de límite de rango de temperatura	LIMIT TEMP FUNCTION	Limit Temp Funktion	LIMIT TEMP CONSIGNA	ОГРАНИЧЕНИЕ УСТ. ТЕМПЕРАТ	LIMITAZIONE TEMPERATURA	温度限制	LIMITAZIONE TEMPERATURA	温度制限
Límite de temperatura modo frío/día	LIMIT TEMP COOL MODE	Limit Kühl Temp	LIMIT TEMP MODO FRIO	ОГРАНИЧЕНИЕ ОХЛАЖДЕНИЯ	LIMITAZIONE MODO COOL	制冷范围	LIMITE TEMP MODO FROID	制冷冷房
Límite de temperatura modo de calor	LIMIT TEMP HEAT MODE	Limit Heiz Temp	LIMIT TEMP MODO CALOR	ОГРАНИЧЕНИЕ ОБОГРЕВ	LIMITAZIONE MODO HEAT	制热范围	LIMITE TEMP MODO CHAUD	制热暖房
Límite de temperatura modo automático	LIMIT TEMP AUTO MODE	Limit Auto Temp	LIMIT TEMP MODO AUTO	ОГРАНИЧЕНИЕ РЕЖИМА АВТО	LIMITAZIONE MODO AUTO	自动范围	LIMITE TEMP MODO AUTO	制自动
Selección de Modo de funcionamiento	MODE SELECTION	Betriebsart wählen	SELECCIÓN DE MODO	ВЫБОР РЕЖИМА	SELEZIONE MODO	基本模式	SELECTION DU MODE	基本メニュー
Ajuste de controlador remoto MAIN (PRINCIPAL)	CONTROLLER MAIN	Haupt Controller	CONTROL PRINCIPAL	ОСНОВНОЙ ПУЛЬТ	CONTROLLO MAIN	遥控主	TELCOMMANDE MAITRE	リモコン主
Ajuste de controlador remoto SUB (SECUNDARIO)	CONTROLLER SUB	Neben Controller	CONTROL SECUNDARIO	ДОПОЛНИТЕЛЬНЫЙ ПУЛЬТ	CONTROLLO SUB	遥控辅	TELCOMMANDE ESCLAVE	リモコン主副
Utilización del ajuste del reloj	CLOCK	Uhr	RELOJ	ЧАСЫ	OROLOGIO	时钟	AFFICHAGE HORLOGE	時計 3:00
Ajuste del día de la semana y la hora	TIME SET 4:ENTER	Uhr stellen 4:einstellen	CONFIG RELOJ 4:CONFIG	ЧАСЫ: УСТ. 4: ВВОД	OROLOGIO 4: ENTER	时间 4: ENTER	HORLOGE 4: ENTRER	トイセツテイ 4: カクテイ
Ajuste del temporizador	TIMER SET 4:ENTER	Zeitschaltuhr 4:einstellen	TEMPORIZA - DOR 4:CONFIG	ТАЙМЕР: УСТ. 4: ВВОД	TIMER 4: ENTER	定时器 4: ENTER	PROG HORAIRES 4: ENTRER	タイマーセツテイ 4: カクテイ
Visualización del temporizador	TIMER MONITOR	Uhrzeit Anzeige	VISUALIZAR TEMPORIZAD.	ПРОСМОТР ТАЙМЕРА	VISUALIZ TIMER	定时器状态	AFFICHAGE PROG HORAIRES	タイマーモニター
Temporizador semanal	WEEKLY TIMER	Wochenzeit schalt Uhr	TEMPORIZA - DOR SEMANAL	НЕДЕЛЬНЫЙ ТАЙМЕР	TIMER SET TIMANALE	每周定时器	PROG HERDO MAIDRE	タイマー週間
Modo de temporizador apagado	TIMER MODE OFF	Zeitschaltuhr AUS	TEMPORIZA - DOR APAGADO	ТАЙМЕР ВЫКЛ.	TIMER OFF	定时器无效	PROG HORAIRES INACTIF	タイマー無効
Temporizador de apagado automático	AUTO OFF TIMER	AUTO Zeit funktion AUS	APAGADO AUTOMÁTICO	АВТООТКЛЮЧ. ПО ТАЙМЕРУ	AUTO OFF TIMER	解除定时	PROG HORAIRES ARRET AUTO	タイマーオフオフ
Temporizador simple	SIMPLE TIMER	einfache Zeitfunktion	TEMPORIZA - DOR SIMPLE	ПРОСТОЙ ТАЙМЕР	TIMER SEMPLIFICATO	简易定时器	PROG HORAIRES SIMPLIFIE	タイマーカンイ
Ajuste de número de contacto en caso de avería	CALL	←	←	←	←	←	←	←
Cambio de indicación	DISP MODE SETTING	Anzeige Betriebsart	MOSTRAR MODO	НАСТРОЙКА ИНД. РЕЖИМА	IMPOSTAZIONE MODO DISPLAY	转换表示	AFFICHAGE SOUS MENU	表示切替
Ajuste de visualización de temperatura °C/°F	TEMP MODE °C/°F	Wechsel °C/°F	TEMPGRADOS °C/°F	ЕДИН. ТЕМПЕРАТ. °C/°F	TEMPERATURA °C/°F	温度 °C/°F	TEMPERATURE °C/°F	温度 °C/°F
Ajuste de visualización de la temperatura de entrada de aire	ROOM TEMP DISP SELECT	Raum Temp zeigeln	MOSTRAR TEMP.	ПОКАЗЫВАТЬ ТЕМП. В КОМН.	TEMPERATURA AMBIENTE	吸入温度	TEMPERATURE AMBIANTE	ストROOMト 3:00
Ajuste de visualización de frío/calor automático	AUTO MODE DISP C/H	Auto Betrieb C/H	MOSTRAR F/C EN AUTO	ИНД. Т./Х В РЕЖИМЕ АВТО	AUTO C/H	自动表示	AFFICHAGE AUTO F/C	自動 3:00

9. Funcionamiento de emergencia del controlador remoto inalámbrico

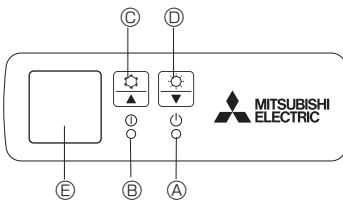
■ PKFY-P-VKM-E



■ PLFY-P-VCM-E2



■ PCFY-P-VKM-E



Cuando no puede utilizar el controlador remoto

Cuando se agoten las pilas del controlador remoto o éste tenga algún fallo, puede llevar a cabo el funcionamiento de emergencia mediante los botones de emergencia que se encuentran en la rejilla del controlador.

- Ⓐ Luz DEFROST/STAND BY (DESCONGELACIÓN/RESERVA)
- Ⓑ Luz de funcionamiento
- Ⓒ Interruptor de refrigeración de funcionamiento de emergencia
- Ⓓ Interruptor de calefacción de funcionamiento de emergencia
- Ⓔ Receptor

Inicio del funcionamiento

- Para accionar el modo de enfriamiento, pulse el botón Ⓒ ☄ durante más de 2 segundos.
- Para accionar el modo de calefacción, pulse el botón Ⓓ ☀ durante más de 2 segundos.
- El encendido de la luz de funcionamiento Ⓑ marca el inicio del funcionamiento.

Nota:

- Los detalles correspondientes al modo de emergencia aparecen a continuación.

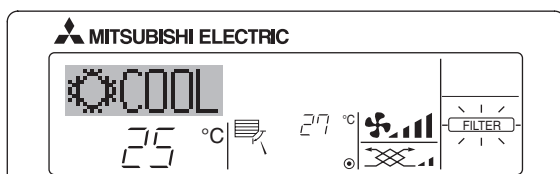
Los detalles correspondientes al MODO DE EMERGENCIA aparecen a continuación.

Modo de funcionamiento	COOL	HEAT
Temperatura ajustada	24°C	24°C
Velocidad del ventilador	Alta	Alta
Dirección del flujo de aire	Horizontal	Hacia abajo 4 (5)

Parada del funcionamiento

- Para detener el funcionamiento, pulse el botón Ⓒ ☄ o el botón Ⓓ ☀ durante más de 2 segundos.

10. Mantenimiento y limpieza



- Indica que el filtro necesita una limpieza.
Limpie el filtro.
- Cuando restablezca el indicador "FILTER" (Filtro)
Cuando presiona el botón [FILTER] (Filtro) dos veces sucesivamente después de haber limpiado el filtro, el indicador se apagará y se restablecerá.

Nota:

- Cuando se controlan dos o más tipos diferentes de unidad interior, el periodo de limpieza difiere con el tipo de filtro. Cuando llega el momento de limpiar la unidad principal, aparece "FILTER" (Filtro). Cuando se apague el indicador del filtro, el tiempo acumulado se reajustará.
- "FILTER" (Filtro) indica el periodo de limpieza en que se usó el acondicionador de aire bajo las condiciones generales de aire interior por tiempo. Ya que el grado de suciedad depende de las condiciones ambientales, limpie el filtro de acuerdo con las circunstancias.
- El periodo acumulado de limpieza del filtro difiere según el modelo.
- Esta indicación no está disponible en el controlador remoto inalámbrico.

► Limpieza de los filtros

- Limpie los filtros con ayuda de una aspiradora. Si no tiene aspiradora, golpee suavemente los filtros contra un objeto sólido para desprender el polvo y la suciedad.
- Si los filtros están especialmente sucios, lávelos con agua tibia. Tenga cuidado de aclarar bien cualquier resto de detergente y deje que los filtros se sequen completamente antes de volver a ponerlos en la unidad.

⚠ Cuidado:

- **No seque los filtros colocándolos al sol o con una fuente de calor como el de una estufa eléctrica; podrían deformarse.**
- **No lave los filtros en agua caliente (más de 50°C) ya que se deformarían.**
- **Cerciórese de que los filtros están siempre instalados. El funcionamiento de la unidad sin filtros puede provocar un mal funcionamiento.**

⚠ Cuidado:

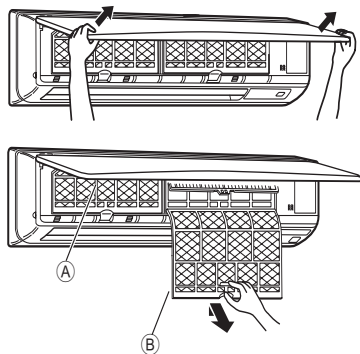
- Antes de empezar la limpieza, apague la fuente de alimentación.
- Las unidades interiores están equipadas con un filtro que elimina el polvo del aire aspirado. Limpie el filtro usando los métodos indicados en las ilustraciones siguientes.

⚠ Cuidado:

- Al retirar el filtro, tenga cuidado de protegerse los ojos del polvo. Asimismo, si para hacerlo tiene que subirse a un taburete, tenga cuidado de no caerse.
- Una vez retirado el filtro, no toque las partes metálicas que hay en la unidad interior, ya que puede causarle heridas.

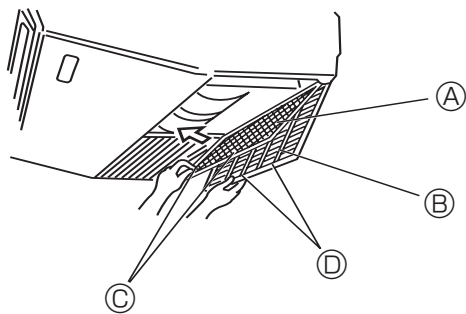
10. Mantenimiento y limpieza

■ PKFY-P-VKM-E



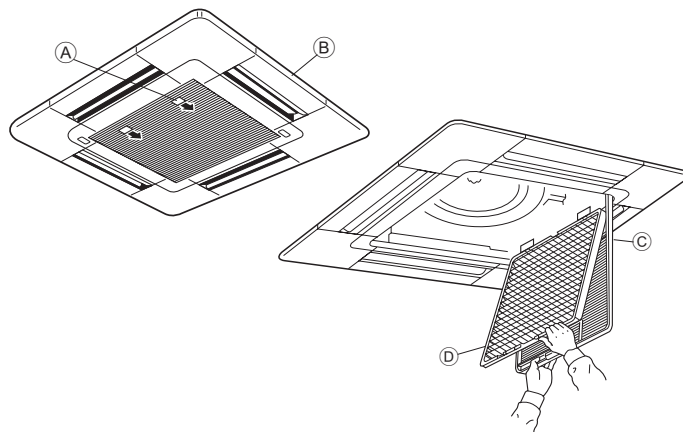
- ① Con ambas manos, tire hacia afuera de las esquinas inferiores de la rejilla de entrada para abrirla y levante el filtro hasta que encaje en la posición de tope.
 - ② Sujete los tiradores del filtro, tire del filtro hacia arriba y extraígallo hacia abajo.
(Ubicado en dos lugares: a la izquierda y a la derecha.)
- A Rejilla frontal
 B Filtro

■ PCFY-P-VKM-E



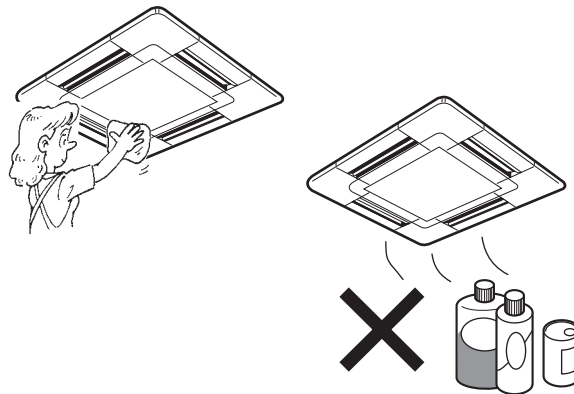
- ① Abra la rejilla de admisión.
 - ② Sujete la perilla del filtro y luego tire del filtro hacia arriba en la dirección de la flecha. Al colocar el filtro después de la limpieza, asegúrese de introducir el filtro lo suficiente hasta que encaje en el tope.
- A Filtro B Rejilla de admisión C Perilla D Tope

■ PLFY-P-VCM-E2



- ① Tire del pomo de la rejilla de admisión en la dirección indicada por la flecha y la rejilla se abrirá.
 - ② Abra la rejilla de admisión.
 - ③ Suelte la perilla del borde central de la rejilla de admisión y tire del filtro hacia delante para extraerlo.
- A Perilla
 B Rejilla
 C Rejilla de admisión
 D Filtro

Limpieza de la unidad interior



- Limpie el exterior de la unidad con un paño limpio, suave y seco.
- Limpie las manchas de aceite o huellas sucias con un detergente neutro (lavavajillas o detergente para ropa).

⚠ Cuidado:

No utilice nunca gasolina, bencina, diluyentes, detergentes en polvo o cualquier otro detergente no neutro ya que estas sustancias pueden dañar la carcasa de la unidad.

11. Localización de fallos

¿Problemas?	Aquí tiene la solución. (La unidad funciona normalmente).
El acondicionador de aire no calienta o refrigera bien.	<ul style="list-style-type: none"> ■ Limpie el filtro (el flujo de aire se reduce cuando el filtro está sucio o atascado). ■ Compruebe el ajuste de temperatura y modifique la temperatura ajustada. ■ Asegúrese de que hay espacio suficiente alrededor de la unidad exterior. <ul style="list-style-type: none"> ¿Está bloqueada la entrada o la salida de aire de la unidad interior? ¿Ha dejado abierta una puerta o ventana?
Cuando comienza el modo de calefacción, al principio no sale aire caliente de la unidad interior.	<ul style="list-style-type: none"> ■ El aire caliente no empieza a salir hasta que la unidad interior se ha calentado lo suficiente.
Durante el modo de calor, el acondicionador de aire se detiene antes de alcanzar la temperatura ajustada para la habitación.	<ul style="list-style-type: none"> ■ Cuando la temperatura exterior es baja y la humedad es alta, puede formarse escarcha en la unidad exterior. Si esto sucede, la unidad exterior iniciará la operación de descongelación. Una vez transcurridos unos 10 minutos, se reanudará el funcionamiento normal.
La dirección arriba/abajo del flujo de aire cambia durante el funcionamiento o no es posible cambiar la dirección del flujo de aire.	<ul style="list-style-type: none"> ■ Durante el modo de frío, los deflectores se mueven automáticamente a la posición horizontal (inferior) tras 1 hora cuando se ha seleccionado la dirección de flujo de aire inferior (horizontal). De esta forma se evita que se acumule agua y caiga desde los deflectores. ■ Durante el modo de calor, los deflectores se mueven automáticamente a la posición de flujo de aire horizontal si la temperatura del flujo de aire es baja o durante el modo de descongelación.
Cuando cambia la dirección arriba/abajo del flujo de aire, los deflectores siempre se mueven arriba y abajo antes de detenerse en la posición ajustada.	<ul style="list-style-type: none"> ■ Cuando cambia la dirección arriba/abajo del flujo de aire, los deflectores se mueven a la posición ajustada tras haber detectado la posición base.
Se oye un sonido de agua fluyendo o, en ocasiones, una especie de silbido.	<ul style="list-style-type: none"> ■ Estos sonidos se pueden oír cuando el refrigerante fluye por el acondicionador de aire o cuando cambia el flujo del refrigerante.
Se oye un traqueteo o un chirrido.	<ul style="list-style-type: none"> ■ Estos ruidos se oyen cuando las piezas rozan entre sí debido a la expansión y contracción provocadas por los cambios de temperatura.
Hay un olor desagradable en la sala.	<ul style="list-style-type: none"> ■ La unidad interior recoge aire que contiene gases producidos por las paredes, moquetas y muebles, así como olores atrapados en las ropas y después lo devuelve a la sala.
La unidad interior expulsa un vaho o humo blanco.	<ul style="list-style-type: none"> ■ Si la temperatura y la humedad de la unidad interior son altas, esto puede suceder inmediatamente tras encender el acondicionador de aire. ■ Durante el modo de descongelación, el aire frío puede salir hacia abajo con la apariencia de vaho.
La unidad exterior expulsa agua o vapor.	<ul style="list-style-type: none"> ■ Durante el modo de frío, puede acumularse agua y gotear de las tuberías y juntas de refrigeración. ■ Durante el modo de calor, puede acumularse agua y gotear del intercambiador de calor. ■ Durante el modo de descongelación, el agua del intercambiador de calor se evapora, por lo que se emite vapor de agua.
El indicador de operación no aparece en la pantalla del controlador remoto.	<ul style="list-style-type: none"> ■ Encienda el equipo. En la pantalla del controlador remoto aparecerá el indicador "●".
El acondicionador de aire no funciona aunque se pulse el botón ON/OFF. La pantalla de modo de funcionamiento del controlador remoto desaparece.	<ul style="list-style-type: none"> ■ ¿La unidad interior está apagada? Enciéndala.
En la pantalla del controlador remoto aparece "❏".	<ul style="list-style-type: none"> ■ Durante el control central, "❏" aparece en la pantalla del controlador remoto. El funcionamiento del acondicionador de aire no se puede iniciar ni detener con el controlador remoto.
Al reiniciar el acondicionador de aire poco después de apagarlo, no funciona al pulsar el botón ON/OFF (ENCENDIDO/APAGADO).	<ul style="list-style-type: none"> ■ Espere unos tres minutos. (El funcionamiento se ha detenido para proteger el acondicionador de aire).
El acondicionador de aire funciona sin haber pulsado el botón ON/OFF (ENCENDIDO/APAGADO).	<ul style="list-style-type: none"> ■ ¿Está ajustado el temporizador de encendido? Pulse el botón ON/OFF (ENCENDIDO/APAGADO) para detener el funcionamiento. ■ ¿El acondicionador de aire está conectado a un controlador remoto central? Consulte a la persona encargada de controlar el acondicionador de aire. ■ ¿Aparece "❏" en la pantalla del controlador remoto? Consulte a la persona encargada de controlar el acondicionador de aire. ■ ¿Se ha ajustado la función de auto-recuperación para caídas de tensión? Pulse el botón ON/OFF (ENCENDIDO/APAGADO) para detener el funcionamiento.
El acondicionador de aire se detiene sin haber pulsado el botón ON/OFF (ENCENDIDO/APAGADO).	<ul style="list-style-type: none"> ■ ¿Está ajustado el temporizador de apagado? Pulse el botón ON/OFF (ENCENDIDO/APAGADO) para reiniciar el funcionamiento. ■ ¿El acondicionador de aire está conectado a un controlador remoto central? Consulte a la persona encargada de controlar el acondicionador de aire. ■ ¿Aparece "❏" en la pantalla del controlador remoto? Consulte a la persona encargada de controlar el acondicionador de aire.
No es posible ajustar el funcionamiento del temporizador del controlador remoto.	<ul style="list-style-type: none"> ■ ¿Los ajustes del temporizador no son válidos? Si el temporizador se puede ajustar, (WEEKLY), (SIMPLE), o (AUTO OFF) aparecerán en la pantalla del controlador remoto.
En la pantalla del controlador remoto aparece "PLEASE WAIT" (POR FAVOR, ESPERE).	<ul style="list-style-type: none"> ■ Se han realizado los ajustes iniciales. Espere unos 3 minutos.
En la pantalla del controlador remoto aparece un código de error.	<ul style="list-style-type: none"> ■ Los dispositivos de protección se han activado para proteger el acondicionador de aire. ■ No intente reparar el equipo usted mismo. Apague inmediatamente el acondicionador de aire y póngase en contacto con su distribuidor. Asegúrese de indicar al distribuidor el nombre del modelo y la información que aparecía en la pantalla del controlador remoto.
Se oye un ruido de drenaje de agua o rotación de motor.	<ul style="list-style-type: none"> ■ Cuando se detiene el funcionamiento de refrigeración, la bomba de drenaje se activa y luego se detiene. Espere unos 3 minutos.

11. Localización de fallos

¿Problemas?	Aquí tiene la solución. (La unidad funciona normalmente).												
El ruido es mayor de lo indicado en las especificaciones.	<ul style="list-style-type: none"> El nivel de ruido del funcionamiento interior depende de la acústica de la sala en cuestión tal y como se indica en la siguiente tabla, por lo que puede ser superior a los valores de las especificaciones, que se midieron en salas sin eco. <table border="1"> <thead> <tr> <th></th> <th>Salas de alta absorción del sonido</th> <th>Salas normales</th> <th>Salas de baja absorción del sonido</th> </tr> </thead> <tbody> <tr> <td>Ejemplos de lugares</td> <td>Estudio de radiotransmisión, salas de mezclas, etc.</td> <td>Sala de recepción, hall de un hotel, etc.</td> <td>Oficina, habitación de hotel</td> </tr> <tr> <td>Niveles de ruido</td> <td>3 a 7 dB</td> <td>6 a 10 dB</td> <td>9 a 13 dB</td> </tr> </tbody> </table>		Salas de alta absorción del sonido	Salas normales	Salas de baja absorción del sonido	Ejemplos de lugares	Estudio de radiotransmisión, salas de mezclas, etc.	Sala de recepción, hall de un hotel, etc.	Oficina, habitación de hotel	Niveles de ruido	3 a 7 dB	6 a 10 dB	9 a 13 dB
	Salas de alta absorción del sonido	Salas normales	Salas de baja absorción del sonido										
Ejemplos de lugares	Estudio de radiotransmisión, salas de mezclas, etc.	Sala de recepción, hall de un hotel, etc.	Oficina, habitación de hotel										
Niveles de ruido	3 a 7 dB	6 a 10 dB	9 a 13 dB										
No aparece nada en la pantalla del controlador remoto inalámbrico, las indicaciones apenas se ven o la unidad interior no recibe las señales a menos que el controlador remoto esté muy cerca.	<ul style="list-style-type: none"> Las pilas apenas tienen carga. Sustitúyalas y pulse el botón Reset (Restablecimiento). Si la situación no cambia al sustituir las pilas, asegúrese de que están colocadas con la polaridad correcta (+, -). 												
La luz de funcionamiento situada junto al receptor del controlador remoto inalámbrico de la unidad interior parpadea.	<ul style="list-style-type: none"> La función de autodiagnóstico se ha activado para proteger el acondicionador de aire. No intente reparar el equipo usted mismo. Apague inmediatamente el acondicionador de aire y póngase en contacto con su distribuidor. Asegúrese de indicar al distribuidor el nombre del modelo. 												
Cuando el modo de calefacción está apagado o durante el modo de ventilador sale aire caliente de la unidad interior intermitentemente.	<ul style="list-style-type: none"> Si otra unidad interior funciona en modo de calefacción, la válvula de control se abre y cierra ocasionalmente para mantener la estabilidad del acondicionador de aire. Este funcionamiento se detendrá después de un tiempo. * Si este comportamiento hace aumentar la temperatura en salas pequeñas, etc. detenga temporalmente el funcionamiento de la unidad interior. 												

Margen de aplicación:

El margen de temperaturas de trabajo de la serie Y, R2, Multi-S, tanto de la unidad interior como de la exterior, es el que se indica a continuación.

⚠ Cuidado:

El uso del acondicionador de aire fuera de estos márgenes de temperatura y humedad puede dar lugar a serias averías.

Modo	Unidad interior	Unidad exterior		
		PUHY	PURY	PUMY
Enfriamiento	15 °C - 24 °C WB (Bulbo húmedo)	-5 °C - 46 °C DB (Bulbo seco)	-5 °C - 46 °C DB (Bulbo seco)	-5 °C - 46 °C DB (Bulbo seco)
Calefacción	15 °C - 27 °C DB (Bulbo seco)	-20 °C - 15,5 °C WB (Bulbo húmedo)	-20 °C - 15,5 °C WB (Bulbo húmedo)	-15 °C - 15 °C WB (Bulbo húmedo)

Nota: Como humedad estándar aplicable, recomendamos un margen entre el 30 y el 80% de humedad relativa, tanto para la unidad exterior como para la interior.

⚠ Atención:

Si el acondicionador de aire funciona pero no genera fresco ni calefacción en la habitación (dependiendo del modelo), consulte con su distribuidor ya que puede tratarse de una fuga de refrigerante. Debe preguntar al responsable del mantenimiento si existe o no una fuga de refrigerante cuando se lleve a cabo la reparación.

El refrigerante cargado en el acondicionador de aire es seguro y normalmente no tiene fugas. No obstante, si existe pérdida de gas refrigerante en el interior y entra en contacto con las llamas del calentador de un ventilador, calentador, horno o aparato similar, se generarán sustancias nocivas.

12. Especificaciones

Modelo		PKFY-P63VKM-E	PKFY-P100VKM-E
Alimentación (Voltaje <V>/Frecuencia)	<Hz>	~N/220-230-240/50, 220/60	
Capacidad (refrigeración/calefacción)	<kW>	7,1/8,0	11,2/12,5
Dimensión (altura)	<mm>	365	
Dimensión (ancho)	<mm>	1170	
Dimensión (profundidad)	<mm>	295	
Peso neto	<kg>	22	
Régimen de flujo de aire del ventilador (bajo-alto)	<m ³ /min>	16-20	20-25
Nivel de ruido (bajo-alto)	<dB>	39-43	41-49

Modelo		PLFY-P15VCM-E2	PLFY-P20VCM-E2	PLFY-P25VCM-E2	PLFY-P32VCM-E2	PLFY-P40VCM-E2
Alimentación (Voltaje <V>/Frecuencia)	<Hz>	~N/220-230-240/50				
Capacidad (refrigeración/calefacción)	<kW>	1,7/1,9	2,2/2,5	2,8/3,2	3,6/4,0	4,5/5,0
Dimensión (altura)	<mm>	208 (20)				
Dimensión (ancho)	<mm>	570 (650)				
Dimensión (profundidad)	<mm>	570 (650)				
Peso neto	<kg>	15,5 (3)			17,0 (3)	
Régimen de flujo de aire del ventilador (bajo-medio-alto)	<m ³ /min>	8-8,5-9	8-9-10		8-9-11	
Nivel de ruido (bajo-medio-alto)	<dB>	28-30-31	28-31-35	28-31-37	29-33-38	30-34-39

Modelo		PCFY-P40VKM-E	PCFY-P63VKM-E	PCFY-P100VKM-E	PCFY-P125VKM-E
Alimentación (Voltaje <V>/Frecuencia)	<Hz>	~N 220-230-240/50, 220/60			
Capacidad (refrigeración/calefacción)	<kW>	4,5/5,0	7,1/8,0	11,2/12,5	14,0/16,0
Dimensión (altura)	<mm>	230			
Dimensión (ancho)	<mm>	960	1280	1600	
Dimensión (profundidad)	<mm>	680			
Peso neto	<kg>	24	32	36	38
Régimen de flujo de aire del ventilador (bajo-medio2-medio1-alto)	<m ³ /min>	10-11-12-13	14-15-16-18	21-24-26-28	21-24-27-31
Nivel de ruido (bajo-medio2-medio1-alto)	<dB>	29-32-34-36	31-33-35-37	36-38-41-43	36-39-42-44

*1 La capacidad del modo refrigeración/calefacción indica el valor máximo del funcionamiento bajo las siguientes condiciones.

Refrigeración: 27 °C DB/19 °C WB Interior, 35 °C DB Exterior

Calefacción: 20 °C DB Interior, 7 °C DB/6 °C WB Exterior

*2 La cifra entre paréntesis se refiere al panel.

1. Misure di sicurezza.....	102	8. Selezione delle funzioni.....	113
2. Nomenclatura delle parti	103	9. Funzionamento d'emergenza per il telecomando senza fili	117
3. Configurazione schermo	106	10. Cura e pulizia	117
4. Impostazione del giorno della settimana e dell'ora	106	11. Risoluzione dei problemi	119
5. Funzionamento.....	106	12. Specifiche tecniche	121
6. Timer	109		
7. Altre funzioni.....	112		

1. Misure di sicurezza

- ▶ Leggere attentamente la sezione “Misure di sicurezza” prima di far funzionare l'unità.
- ▶ La sezione “Misure di sicurezza” contiene informazioni importanti sulla sicurezza di funzionamento dell'unità. Accertarsi che vengano seguite perfettamente.
- ▶ Prima di collegare l'equipaggiamento alla rete di alimentazione, contattare o chiedere l'autorizzazione dell'autorità competente.

Nota:

Nel presente manuale d'uso la locuzione “comando a distanza con filo” fa riferimento al dispositivo PAR-21MAA.

Per informazioni relative all'altro comando a distanza, consultare il manuale di istruzioni accluso a queste confezioni.

⚠ Avvertenza:

- Questi apparecchi non sono accessibili al pubblico generale.
- L'unità non deve essere installata dall'utente. Richiedere al distributore o ad una società autorizzata di installare l'unità. Se l'unità non è installata correttamente, vi è il rischio di perdite d'acqua, di scosse elettriche o di incendio.
- Non salire e non appoggiare alcun oggetto sull'unità.
- Non spruzzare acqua sull'unità e non toccarla con le mani bagnate. Ciò può provocare una scossa elettrica.
- Non spruzzare gas combustibile nei pressi dell'unità, per evitare il rischio di un incendio.
- Non piazzare un riscaldatore a gas o qualsiasi altro apparecchio a fiamma aperta in un luogo esposto all'aria scaricata dall'unità. Ciò può essere alla base di una combustione incompleta.
- Non rimuovere il pannello anteriore o la griglia di protezione del ventilatore dalla sezione esterna durante il funzionamento dell'unità.
- Non riparare mai l'unità o trasferirla in un altro luogo da soli.
- Qualora vengano notati rumori o vibrazioni di intensità eccezionale, arrestare il funzionamento, spegnere l'unità e contattare il proprio rivenditore.
- Non inserire le dita, oggetti appuntiti, ecc, nei fori di ingresso o di uscita dell'aria.
- In presenza di odori particolari, arrestare il funzionamento dell'unità, spegnere l'interruttore di alimentazione e contattare il proprio distributore. Ciò per evitare un'interruzione di corrente, una scossa elettrica od un incendio.

⚠ Cautela:

- Non usare alcun oggetto appuntito per premere i pulsanti, in modo da non danneggiare il comando a distanza.
- Non bloccare o coprire gli ingressi o le uscite interni od esterni dell'unità.
- Non utilizzare panni imbevuti di benzene o altri diluenti chimici per pulire il telecomando.
- Non usare il climatizzatore per molto tempo in condizioni di alta umidità, ad esempio lasciando una porta o finestra aperta. Nel modo di refrigeramento, se il climatizzatore viene usato in una stanza molto umida (80% di u.r. o più), l'acqua che si condensa in esso può cadere per terra e bagnare mobili o tappeti.

Simboli utilizzati nel testo

⚠ Avvertenza:

Descrive le precauzioni da prendere per evitare il rischio di lesioni, anche mortali, per l'utente.

⚠ Cautela:

Descrive le precauzioni da prendere per evitare il danneggiamento dell'unità.

Simboli utilizzati nelle illustrazioni

⚡ : Indica la necessità di collegare un componente a massa.

- Il climatizzatore NON può essere usato da bambini o persone inferme senza la sorveglianza appropriata.
- È opportuno sorvegliare i bambini piccoli affinché non giochino con il climatizzatore.
- In caso di fuoriuscita del gas refrigerante, arrestare il funzionamento dell'unità, ventilare completamente la stanza e contattare il proprio rivenditore.
- Questo apparecchio non è destinato a essere utilizzato da persone (compresi i minori) con capacità fisiche, sensoriali o mentali ridotte o esperienza e conoscenza carenti, salvo in caso di supervisione o istruzioni sull'uso dell'apparecchio da parte di una persona responsabile della loro sicurezza.
- Durante l'installazione o il trasloco, o quando si sottopone ad assistenza il condizionatore d'aria, utilizzare solo il refrigerante specificato (R410A) per ricaricare i tubi del refrigerante. Non mescolarlo con nessun altro tipo di refrigerante e non consentire all'aria di restare all'interno dei tubi. Qualora dell'aria si mescoli con il refrigerante, potrebbe far innalzare in modo anomalo la pressione nel tubo del refrigerante, il che potrebbe provocare un'esplosione o altri pericoli. L'uso di refrigeranti diversi da quello specificato per il sistema provocherà guasti meccanici, malfunzionamenti del sistema o la rottura dell'unità. Nel peggiore dei casi, questo potrebbe impedire seriamente di garantire la messa in sicurezza del prodotto.

- Durante il funzionamento, non toccare le alette di uscita aria superiori o il deflettore di uscita aria inferiore. Può altrimenti formarsi della condensa e l'unità potrebbe smettere di funzionare.

Eliminazione dell'unità

Se occorre eliminare l'unità, contattare il proprio distributore.

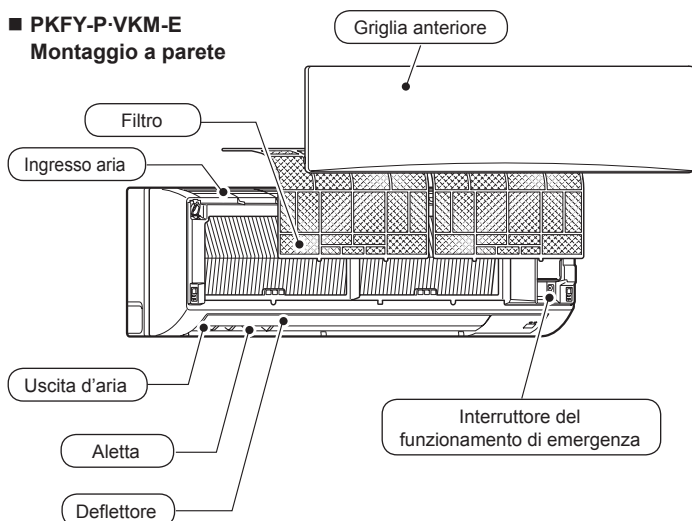
2. Nomenclatura delle parti

■ Unità interna

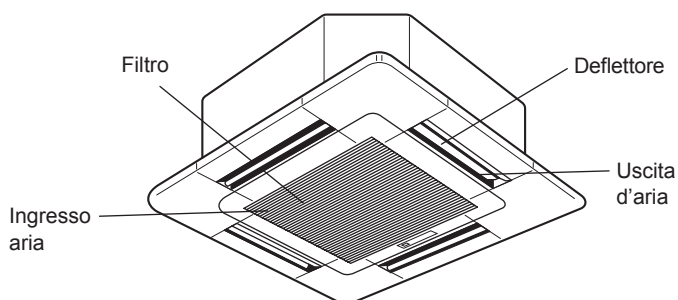
		PKFY-P-VKM-E	PLFY-P-VCM-E2	PCFY-P-VKM-E
Velocità ventilatore		2 velocità	3 velocità	4 velocità + Auto*
Deflettore	Posizioni	4 posizioni	4 posizioni	5 posizioni
	Oscillazione automatica	○	○	○
Aletta		Manuale	—	Manuale
Filtro		Normale	Lunga durata	Lunga durata
Indicazione di pulizia filtro		100 ore	2.500 ore	2.500 ore

* Questa funzione è disponibile solo utilizzando il telecomando, in grado di impostare la velocità di ventilazione su modalità "Auto".

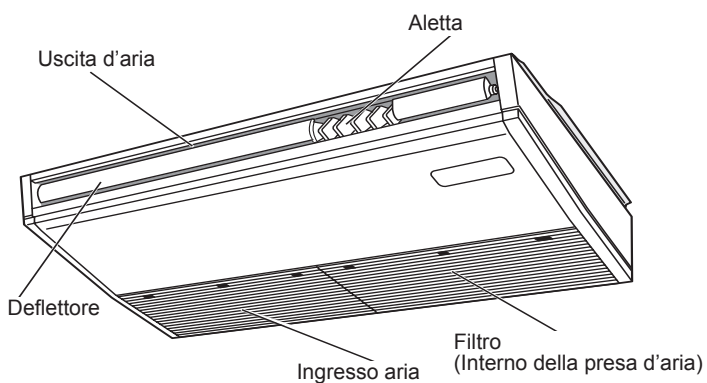
■ PKFY-P-VKM-E Montaggio a parete



■ PLY-P-VCM-E2 Cassetta a 4 vie per installazione a soffitto

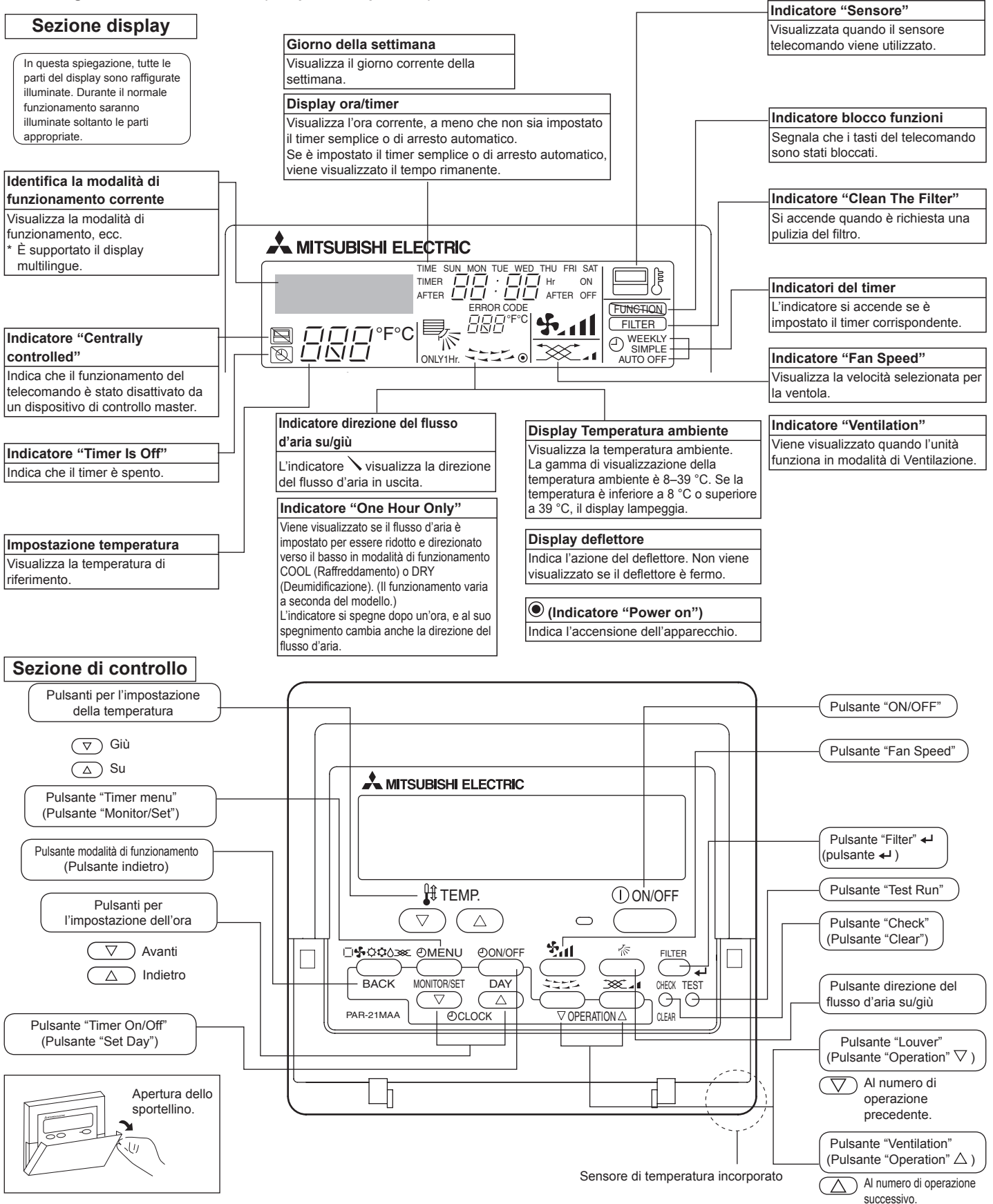


■ PCFY-P-VKM-E Pensile a soffitto



2. Nomenclatura delle parti

■ Per il regolatore a distanza con fili (componente opzionale)

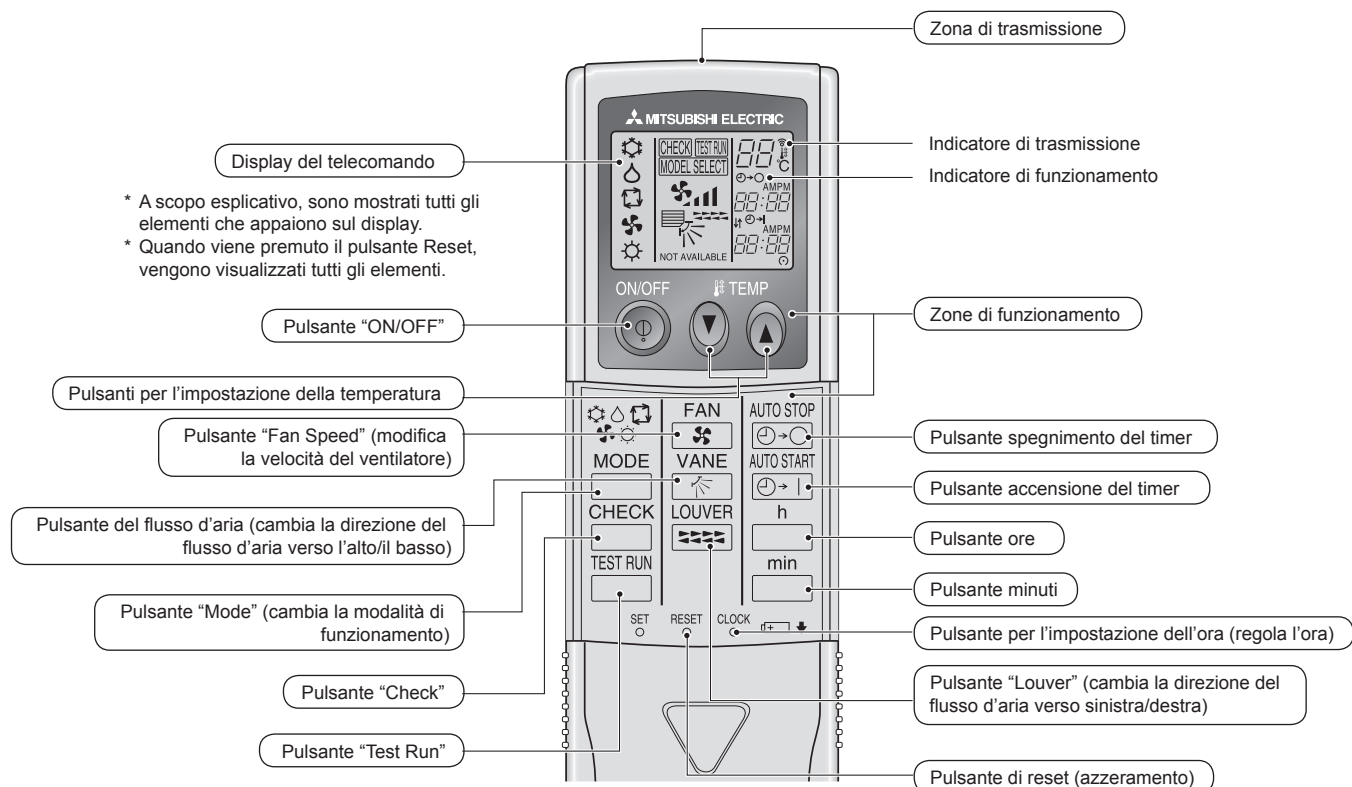


Nota:

- Messaggio "PLEASE WAIT" (attendere prego)
Questo messaggio appare per circa 3 minuti quando l'unità interna viene alimentata.
- Display lampeggiante modalità di funzionamento
Quando più unità interne vengono collegate ad una sola unità esterna e viene selezionata una modalità operativa per un'unità interna diversa da quella attuale di un'altra unità interna, il display della modalità operativa lampeggia. Selezionare la stessa modalità operativa dell'altra unità interna.
- Messaggio "NOT AVAILABLE" (non disponibile)
Questo messaggio compare se è stato premuto il pulsante di attivazione di una funzione di cui l'unità non dispone.
Se viene utilizzato un solo telecomando per attivare simultaneamente più unità interne di diversi modelli, questo messaggio non sarà visualizzato se una delle unità interne è dotata della funzione in questione.
- Display della temperatura ambiente
Per misurare la temperatura ambiente è possibile utilizzare i sensori della temperatura dell'unità interna o il sensore della temperatura del comando a distanza. L'impostazione predefinita è quella dei sensori della temperatura dell'unità interna. Quando per misurare la temperatura ambiente vengono selezionati i sensori della temperatura dell'unità interna, sul controllo a distanza che gestisce unità interne multiple viene visualizzata la temperatura ambiente misurata sull'unità interna principale.

2. Nomenclatura delle parti

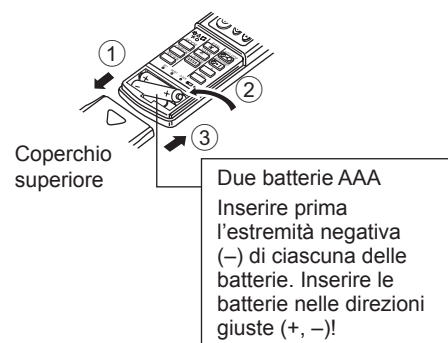
■ Per il regolatore a distanza senza fili (componente opzionale)



- Quando si utilizza il telecomando senza fili, puntarlo verso il ricevitore dell'unità interna.
- Se si aziona il telecomando entro circa 2 minuti dall'accensione dell'unità interna, l'unità potrebbe emettere due segnali acustici per segnalare che è occupata ad eseguire il controllo automatico iniziale.
- L'unità interna emette i segnali sonori per confermare la ricezione del segnale trasmesso dal telecomando. L'unità interna può ricevere segnali entro un raggio di circa 7 metri in linea diretta ad un'angolazione di circa 45° verso sinistra e verso destra. Tuttavia, la presenza di luci fluorescenti ed altre luci intense può compromettere la capacità di ricezione dei segnali dell'unità interna.
- Se la spia di funzionamento accanto al ricevitore dell'unità interna lampeggia, è necessario sottoporre l'unità ad un controllo. Rivolgersi al concessionario.
- Maneggiare il telecomando con cura! Non farlo cadere né sottoporlo a forti urti. Fare inoltre attenzione a non bagnare il telecomando e a non lasciarlo in luoghi molto umidi.
- Per evitare di lasciare il telecomando in luoghi inadatti, montare alla parete il supporto fornito con il telecomando e ricordare di inserire sempre il telecomando nel supporto dopo l'uso.

Installazione/sostituzione delle batterie

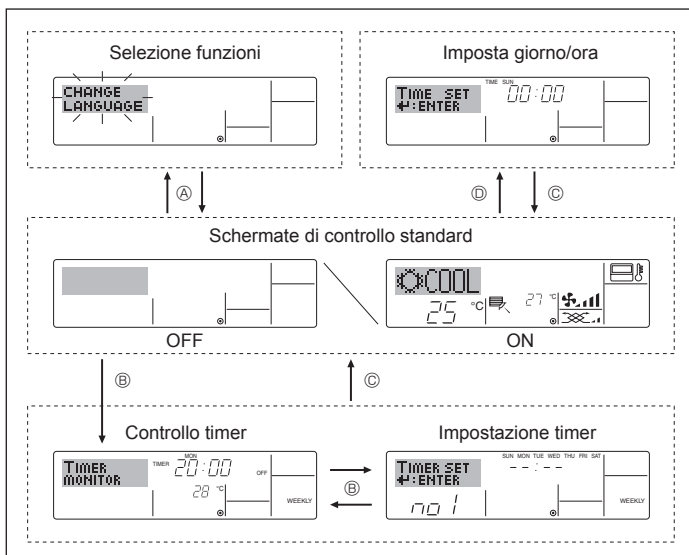
1. Togliere il coperchio superiore, inserire due batterie AAA e rimettere il coperchio superiore.



2. Premere il pulsante Reset.



3. Configurazione schermo



<Tipi di schermate>

Per la lingua del display è possibile impostare l'italiano utilizzando la selezione della funzione del telecomando. Per modificare la lingua, vedere la sezione 8, elemento [4]-1. L'impostazione iniziale è inglese.

- Selezione funzioni: Impostazione delle funzioni e degli intervalli disponibili sul telecomando (funzioni del timer, limitazioni di funzionamento, ecc.)
- Imposta giorno/ora: Impostazione del giorno corrente della settimana.
- Schermate di controllo standard: Visualizzazione e impostazione dello stato di funzionamento dell'impianto di condizionamento
- Controllo timer: Visualizzazione del timer correntemente impostato (timer settimanale, timer semplice, o timer di arresto automatico)
- Impostazione timer: Impostazione del funzionamento di qualsiasi timer (timer settimanale, timer semplice, o timer di arresto automatico)

<Come modificare la schermata>

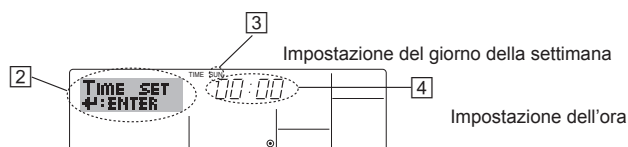
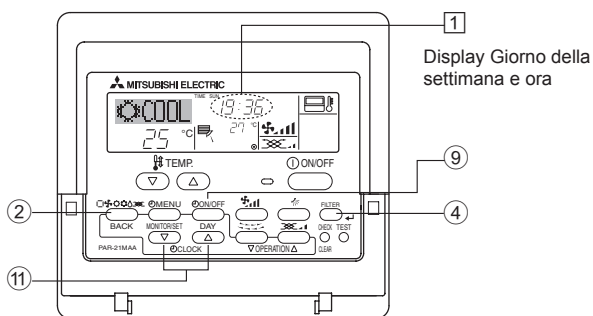
Per andare su (A) : Tenere premuti per 2 secondi il pulsante modalità di funzionamento e il pulsante "Timer On/Off".

Per andare su (B) : Premere il pulsante "Timer Menu".

Per andare su (C) : Premere il pulsante modalità di funzionamento (indietro).

Per andare su (D) : Premere uno dei due pulsanti "Set Time" (▽ o △).

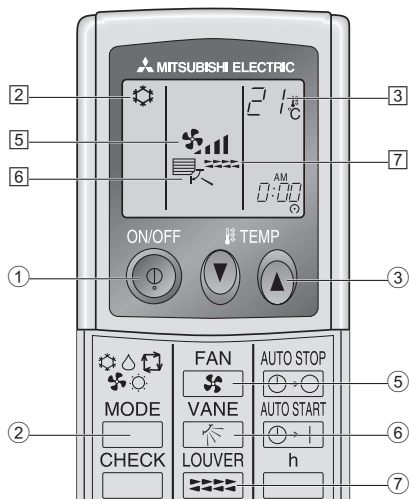
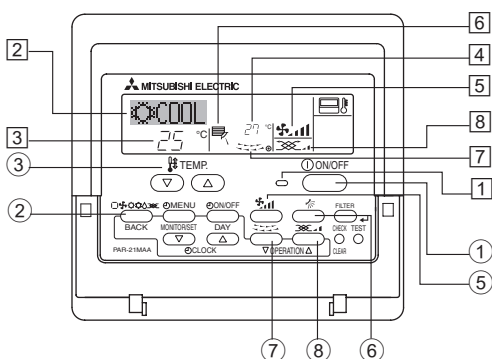
4. Impostazione del giorno della settimana e dell'ora



1. Premere il pulsante "Set Time" ▽ o △ ① per visualizzare il display ②.
2. Premere il pulsante "Timer On/Off" (Set Day) ⑨ per impostare il giorno.
 - * Ad ogni pressione del pulsante si passa al giorno successivo a quello visualizzato in ③: Dom → Lun → ... → Ven → Sab.
3. Premere il pulsante "Set Time" appropriato ① per regolare l'ora nel modo desiderato.
 - * Tenendo premuto il pulsante, l'ora (v. ④) aumenterà prima ad intervalli di un minuto, poi ad intervalli di dieci minuti, e quindi ad intervalli di un'ora.
4. Dopo aver effettuato le impostazioni appropriate ai passaggi 2 e 3 premere il pulsante ④ "Filter" ← per confermare i valori.

Nota:
Il giorno e l'ora non saranno visualizzati se in Selezione funzioni è stato disattivato l'uso dell'orologio.

5. Funzionamento



5.1. Accensione/Spegnimento

<Per avviare il funzionamento>

- Premere il pulsante "ON/OFF" ①.
 - L'indicatore ON □ e l'area display sono illuminate.

Nota:
● Quando si riavvia l'unità, sono attive le seguenti impostazioni.

		Impostazioni del telecomando	
Modalità		Ultima modalità di funzionamento	
Impostazione della temperatura		Ultima temperatura impostata	
Velocità della ventola		Ultima velocità impostata	
Flusso d'aria verso l'alto/il basso	Modalità	COOL o DRY	Ultima impostazione
		HEAT	Ultima impostazione
		FAN	Ultima impostazione

<Interrompere il funzionamento>

- Premere nuovamente il pulsante "ON/OFF" ①.
 - L'indicatore ON □ e l'area display si spegneranno.

Nota:
Anche se viene premuto il pulsante ON/OFF immediatamente dopo lo spegnimento dell'unità, il condizionatore non si avvierà per tre minuti. Ciò serve ad evitare che i componenti interni rimangano danneggiati.

5. Funzionamento

<Interrompere il funzionamento>

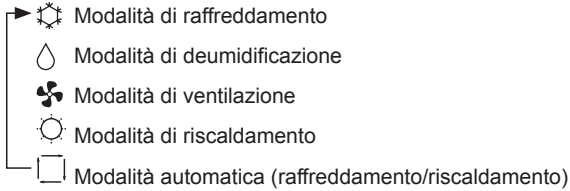
- Premere nuovamente il pulsante "ON/OFF" ①.
 - L'indicatore ON ① e l'area display si spegneranno.

Nota:

Anche se viene premuto il pulsante ON/OFF immediatamente dopo lo spegnimento dell'unità, il condizionatore non si avvierà durante tre minuti. Ciò serve ad evitare che i componenti interni rimangano danneggiati.

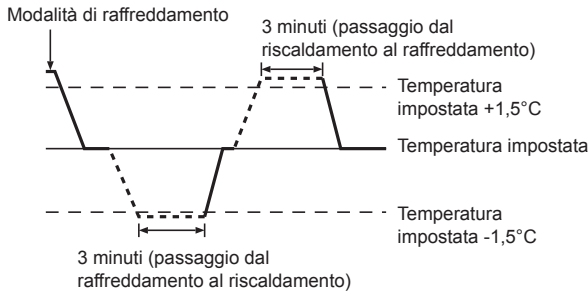
5.2. Selezione della modalità di funzionamento

- Premere il pulsante della modalità di funzionamento (☐☐☐☐☐) ② e selezionare la modalità desiderata ③.



Funzionamento automatico

- Sulla base della temperatura impostata, se la temperatura ambiente è troppo alta si avvia il funzionamento in raffreddamento; se è invece troppo bassa, si avvia il funzionamento in riscaldamento.
- Durante il funzionamento automatico, se la temperatura ambiente cambia e per 3 minuti supera di almeno 1,5 °C la temperatura impostata, il condizionatore passa al modo raffreddamento. Analogamente, se la temperatura ambiente resta per 3 minuti inferiore di almeno 1,5 °C alla temperatura impostata, il condizionatore passa al modo riscaldamento.



- Poiché la temperatura ambiente viene automaticamente regolata in modo da mantenere costante una temperatura prestabilita, al raggiungimento della temperatura prestabilita il raffreddamento viene eseguito con qualche grado in più ed il riscaldamento con qualche grado in meno rispetto alla temperatura ambiente impostata (funzionamento in risparmio energia automatico).

5.3. Impostazione della temperatura

► Per abbassare la temperatura della stanza:

Premere il pulsante ② per impostare la temperatura desiderata. Verrà visualizzata la temperatura selezionata ③.

► Per aumentare la temperatura della stanza:

Premere il pulsante ④ per impostare la temperatura desiderata. Verrà visualizzata la temperatura selezionata ③.

- I campi di valori della temperatura disponibili sono:

Raffreddamento e deumidificazione: 19 - 30 °C
Riscaldamento: 17 - 28 °C
Automatico: 19 - 28 °C

- Sul display lampeggia 8 °C o 39 °C per informarvi se la temperatura della stanza è inferiore o superiore a quella visualizzata.

5.4. Impostazione della velocità ventilatore

- Premere il pulsante "Fan Speed" ⑤ il numero di volte necessario quando l'impianto è in funzione.
 - Ad ogni pressione sarà modificata la potenza. La velocità correntemente selezionata è illustrata in ⑤.
 - Di seguito sono riportate le sequenze di cambiamento e le impostazioni disponibili.

VELOCITÀ VENTILAZIONE	Display
Modello a 2 velocità	Velocità 1 → Velocità 2
Modello a 3 velocità	Velocità 1 → Velocità 2 → Velocità 3
4 velocità + Auto*	Velocità 1 → Velocità 2 → Velocità 3 → Velocità 4 → Auto

* Solo per telecomando MA.

Il telecomando wireless richiede l'impostazione della modalità automatica della velocità di ventilazione.

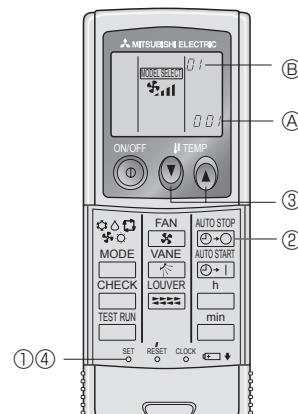
Nota:

- Il numero di velocità ventola disponibili dipende dal tipo di unità collegata. Tenere presente anche che su alcune unità non è disponibile l'impostazione "Auto".
- Nei seguenti casi, la velocità effettiva della ventola generata dall'unità sarà diversa dalla velocità visualizzata sul display del telecomando.
 1. Quando sul display sono visualizzati i messaggi "STAND BY" o "DEFROST" (Sbrinamento).
 2. Quando la temperatura dello scambiatore di calore è bassa nel modo riscaldamento (ad es. subito dopo l'avvio del funzionamento in riscaldamento)
 3. Nella modalità HEAT (Riscaldamento), quando la temperatura ambiente è superiore a quella impostata.
 4. Quando sull'unità è attiva la modalità DRY (deumidificazione).

- Impostazione della velocità automatica della ventola (per comando a distanza senza fili)

È necessario impostare il comando a distanza senza fili solo quando la velocità automatica della ventola non è stata impostata in fabbrica. Per impostazione predefinita, non è necessario impostare la velocità automatica della ventola dal comando a distanza con fili.

- ① Premere il tasto SET con un oggetto appuntito. Eseguire questa operazione con il comando a distanza spento. **MODEL SELECT** lampeggia e viene visualizzato il numero del modello ④.
 - ② Premere il tasto AUTO STOP ②. **FAN SPEED** lampeggia e viene visualizzato il numero di impostazione ⑤. (Numero di impostazione 01: senza velocità automatica della ventola)
 - ③ Premere i tasti della temperatura. ④ ⑤ per impostare il numero di impostazione 02. (Numero di impostazione 02: con velocità automatica della ventola)
- Se si sbaglia l'operazione, premere il tasto ON/OFF ① ed eseguire di nuovo la procedura dal punto ②.
- ④ Premere il tasto SET con un oggetto appuntito. Vengono visualizzati per 3 secondi **MODEL SELECT** e il numero di modello, quindi scompaiono.



5. Funzionamento

5.5. Impostazione della direzione del flusso d'aria

<Per modificare la direzione verso l'alto/il basso del flusso d'aria>

- Quando l'unità è in funzione, premere il pulsante "direzione del flusso d'aria su/giù" ⑥ il numero di volte necessario.
 - Ad ogni pressione sarà modificata la direzione. La direzione attualmente impostata è visualizzata in ⑥.
 - Di seguito sono riportate le sequenze di cambiamento e le impostazioni disponibili.

Flusso d'aria	Display
Modello a 4 posizioni	oscillazione 1 2 3 4
Modello a 5 posizioni *1	oscillazione Auto 1 2 3 4 5

- * Tenere presente che durante l'oscillazione, l'indicazione direzionale sulla schermata non viene modificata in sincronia con la posizione dei deflettori sull'unità.
- * Alcuni modelli non supportano le impostazioni direzionali.
- *1 Soltanto per il comando a distanza MA, gli altri comandi a distanza hanno lo stesso display del modello a 4 livelli.
- *2 Impostazione della direzione del flusso d'aria <Auto>
COOL/FAN/DRY : Impostazione 1 (Orizzontale),
HEAT : Impostazione 5 (Verso il basso 5)

Nota:

- Le direzioni disponibili dipendono dal tipo di unità collegata. Tenere presente anche che su alcune unità non è disponibile l'impostazione "Auto".
- Nei seguenti casi, la direzione effettiva dell'aria sarà diversa da quella indicata sul display del telecomando.
 1. Quando sul display sono visualizzati i messaggi "STAND BY" o "DEFROST" (Sbrinamento).
 2. Subito dopo aver avviato la modalità di riscaldamento (quando il sistema è in attesa dell'attivazione della nuova modalità di funzionamento).
 3. Nella modalità di riscaldamento, quando la temperatura ambiente è superiore a quella impostata.

<[Manuale] Per cambiare la direzione destra/sinistra del flusso d'aria>

* Il pulsante Louver ⑦ non può essere utilizzato.

■ Modello PKFY-P-VKM-E

- Arrestare il funzionamento dell'unità e, spostando il deflettore, orientare il flusso nella direzione desiderata.
- * Non impostare la direzione verso l'interno se l'unità di trova in modalità raffreddamento/riscaldamento. In caso contrario, esiste il rischio di condensa o gocciolamenti.



⚠ **Cautela:**

Per evitare di cadere, maneggiare l'unità in posizione di equilibrio.

5.6. Ventilazione

► Per la combinazione LOSSNAY

5.6.1. Per il regolatore a distanza con fili

- Per far funzionare il ventilatore insieme all'unità interna:
 - Premere il pulsante "ON/OFF" ①.
 - L'indicatore "Vent" viene visualizzato sullo schermo (in ⑧). Ora il ventilatore si attiverà automaticamente ogni volta che l'unità interna è in funzione.
- Per far funzionare il ventilatore soltanto quando l'unità interna è spenta:
 - Premere il pulsante "Ventilation" ⑧ quando l'unità interna è spenta.
 - L'indicatore "On" (in ④) e l'indicatore "Ventilation" (in ⑧) si accendono.
- Per modificare la potenza del ventilatore:
 - Premere il pulsante "Ventilation" ⑧ secondo necessità.
 - Ad ogni pressione vengono attivate in sequenza le seguenti impostazioni.



Nota:

- In alcuni modelli, la ventola dell'unità interna può accendersi anche quando si imposta il funzionamento autonomo del ventilatore.

6. Timer

6.1. Per il regolatore a distanza con fili

Si può usare la Selezione funzioni per scegliere quale utilizzare tra i tre tipi di timer: ① Timer settimanale, ② Timer semplice, o ③ Timer di arresto automatico.

6.1.1. Timer settimanale

■ Il timer settimanale può essere utilizzato per impostare un massimo di otto operazioni per ciascun giorno della settimana.

- Si può scegliere tra le seguenti operazioni: Accensione/arresto timer con impostazione della temperatura, solo Accensione/arresto timer, oppure solo Impostazione della temperatura.
- Quando viene raggiunto l'orario impostato per il timer, il condizionatore d'aria esegue l'azione impostata dal timer.

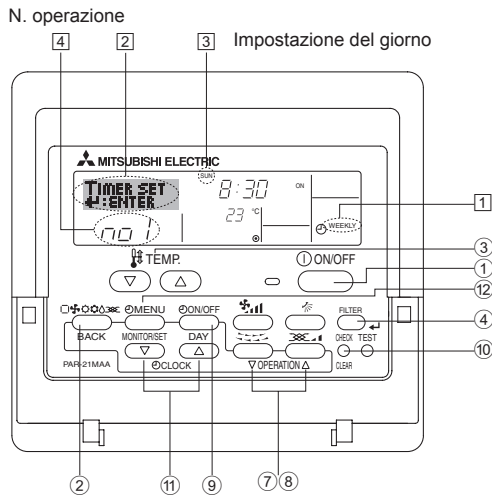
■ La risoluzione per l'impostazione di questo timer è di 1 minuto.

Nota:

*1. Il Timer settimanale/Timer semplice/Timer di arresto automatico non possono essere usati contemporaneamente.

*2. Il timer settimanale non funzionerà in presenza di una qualsiasi delle seguenti condizioni:

La funzione timer è disattivata; il sistema presenta malfunzionamenti; un ciclo di prova è in esecuzione; il telecomando è sottoposto a un ciclo di verifica o autoverifica; l'utente sta impostando una funzione; l'utente sta impostando il timer; l'utente sta impostando il giorno della settimana o l'ora; il sistema è sottoposto a controllo centrale. (In particolare, il sistema non eseguirà operazioni (accensione unità, spegnimento unità o impostazione della temperatura) disabilitate in queste condizioni).



<Come impostare il timer settimanale>

1. Assicurarsi che sia visualizzata la schermata di controllo standard e che l'indicatore corrispondente al timer settimanale ① sia visualizzato sul display.
2. Premere il pulsante "Timer Menu" ② per visualizzare il messaggio "Set Up" sullo schermo (in ②). (Tenere presente che ad ogni pressione del pulsante sul display si alterneranno i messaggi "Set Up" e "Monitor").
3. Premere il pulsante "Timer On/Off (Set Day)" ③ per impostare il giorno. Ad ogni pressione del pulsante in ③ viene visualizzata l'impostazione successiva, in base alla seguente sequenza: "Dom Lun Mar Mer Gio Ven Sab" → "Dom" → ... → "Ven" → "Sab" → "Dom Lun Mar Mer Gio Ven Sab"...
4. Premere il pulsante "Operation" ▽ o △ (⑦ o ⑧) il numero di volte necessario per selezionare il numero di operazione desiderato (da 1 a 8) ④.

* Con le scelte effettuate ai passaggi 3 e 4 si selezionerà una delle celle della matrice illustrata di seguito.

(Il display del telecomando illustrato a sinistra mostra l'aspetto del display quando si imposta l'Operazione 1 per Domenica con i valori riportati di seguito).

Matrice di impostazione

N. op.	Domenica	Lunedì	...	Sabato
N. 1	• 8:30 • ON • 23 °C			
N. 2	• 10:00 • OFF	• 10:00 • OFF	• 10:00 • OFF	• 10:00 • OFF
...				
N. 8				

<Impostazioni Operazione 1 per Domenica>
Avviare il condizionatore alle 8.30, ad una temperatura di 23 °C.

<Impostazioni Operazione 2 per tutti i giorni>
Spegnere il condizionatore alle 10.00.

Nota:

Impostando come giorno "Dom Lun Mar Mer Gio Ven Sab", si può fare in modo che la stessa Operazione sia eseguita ogni giorno alla stessa ora. (Esempio: L'Operazione 2 descritta in precedenza, uguale per tutti i giorni della settimana).

<Impostazione del timer settimanale>

Visualizza l'ora impostata ⑤

Visualizza l'operazione selezionata (ON o OFF) ⑥

* Non viene visualizzato se non si è impostata un'operazione.

Visualizza la temperatura impostata ⑦

* Non viene visualizzato se non si è impostata la temperatura.

5. Premere il pulsante "Set Time" ① appropriato fino a impostare l'ora desiderata (in ⑤).
 - * Tenendo premuto il pulsante, l'ora aumenta prima ad intervalli di un minuto, poi ad intervalli di dieci minuti, e quindi ad intervalli di un'ora.
6. Premere il pulsante "ON/OFF" ① per selezionare l'operazione desiderata (ON o OFF) in ⑥.
 - * Ad ogni pressione del pulsante si passa all'impostazione successiva, in base alla seguente sequenza: nessun display (nessuna impostazione) → "ON" → "OFF"

6. Timer

7. Premere il pulsante "Set Temperature" ③ appropriato fino a impostare la temperatura desiderata (in ⑦).
- * Ad ogni pressione del pulsante si passa all'impostazione successiva, in base alla seguente sequenza: nessun display (nessuna impostazione) ⇔ 24 ⇔ 25 ⇔ ... ⇔ 29 ⇔ 30 ⇔ 12 ⇔ ... ⇔ 23 ⇔ nessun display.
- (Intervallo disponibile: L'intervallo disponibile per questa impostazione è compreso tra 12 °C e 30 °C. Tuttavia l'intervallo effettivo per il controllo della temperatura varia a seconda del tipo di unità collegata).
8. Dopo aver effettuato le impostazioni appropriate ai passaggi 5, 6 e 7, premere il pulsante ④ "Filter" ← per confermare i valori. Per cancellare i valori correntemente impostati per l'operazione selezionata, premere una volta e rilasciare rapidamente il pulsante "Check (Clear)" ⑩.
- * L'impostazione dell'ora visualizzata diventerà "—:—", e le impostazioni di accensione/spegnimento (on/off) e di temperatura si spegneranno.
- (Per annullare in una sola operazione tutte le impostazioni del timer settimanale, tenere premuto il pulsante "Check (Clear)" ⑩ per 2 o più secondi. Il display inizierà a lampeggiare per segnalare la cancellazione di tutte le impostazioni).

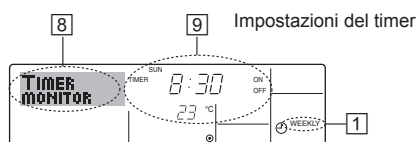
Nota:

Le nuove impostazioni immesse saranno cancellate se si preme il pulsante modalità di funzionamento (indietro) ② prima di premere il pulsante ④ "Filter" ←.

Se si sono impostate due o più operazioni diverse per la stessa ora, sarà eseguita soltanto l'operazione corrispondente al N. Operazione più alto.

9. Ripetere i passaggi da 3 a 8 fino a riempire tutte le celle disponibili desiderate.
10. Premere il pulsante modalità di funzionamento (indietro) ② per tornare alla schermata di controllo standard e completare la procedura di impostazione.
11. Per attivare il timer, premere il pulsante "Timer On/Off" ⑨ per far scomparire dallo schermo l'indicatore "Timer Off". **Assicurarsi che l'indicatore "Timer Off" non sia più visualizzato.**
- * Se non sono attive delle impostazioni timer, l'indicatore "Timer Off" inizierà a lampeggiare sullo schermo

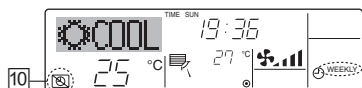
<Come visualizzare le impostazioni del timer settimanale>



1. Assicurarsi che l'indicatore corrispondente al timer settimanale sia visibile sullo schermo (in ⑧).
 2. Premere il pulsante "Timer Menu" ② per visualizzare il messaggio "Monitor" sullo schermo (in ⑧).
 3. Premere il pulsante "Timer On/Off (Set Day)" ⑨ il numero di volte necessarie per selezionare il giorno desiderato.
 4. Premere il pulsante "Operation" ∇ o △ (⑦ o ⑩) per modificare l'operazione timer visualizzata sul display (in ⑨).
- * Ad ogni pressione del pulsante si passerà all'operazione timer successiva, seguendo l'ordine di impostazione.
5. Per chiudere il monitor e tornare alla schermata di controllo standard, premere il pulsante modalità di funzionamento (indietro) ②.

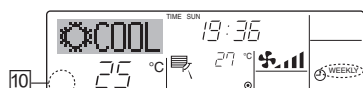
<Per disattivare il timer settimanale>

Premere il pulsante "Timer On/Off" ⑨ per visualizzare il messaggio "Timer Off" ⑩.



<Attivare il timer settimanale>

Premere il pulsante "Timer On/Off" ⑨ per spegnere l'indicatore "Timer Off" (in ⑩).



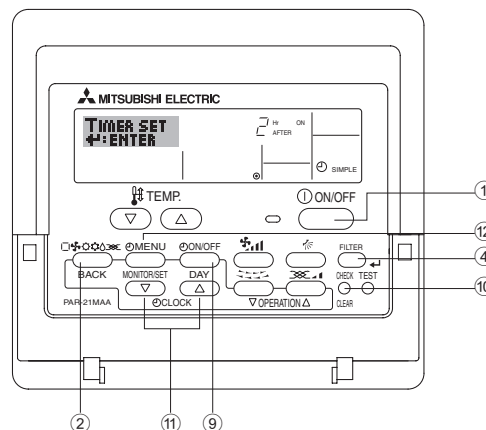
6.1.2. Timer semplice

- Il timer semplice può essere impostato in uno dei tre modi seguenti.
 - Start time only (Solo ora di avvio): Il condizionatore d'aria si mette in funzione all'ora impostata.
 - Stop time only (Solo ora di spegnimento): Il condizionatore d'aria smette di funzionare all'ora impostata.
 - Start & stop times (Ore di accensione e spegnimento): Il condizionatore d'aria si avvia e si spegne agli orari rispettivamente impostati.
- Il timer semplice (avvio e arresto) può essere impostato soltanto una volta nell'arco di 72 ore.

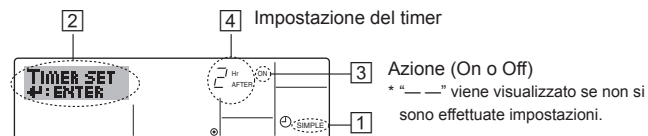
L'impostazione dell'ora viene effettuata con incrementi di un'ora.

Nota:

- *1. Il timer settimanale/Timer semplice/Timer di arresto automatico non possono essere usati contemporaneamente.
- *2. Il timer semplice non funzionerà in presenza di una qualsiasi delle seguenti condizioni:
Il timer è disattivato; presenza di una condizione anomala dell'impianto; è in corso un test; il telecomando sta effettuando un controllo o una diagnosi; l'utente sta selezionando una funzione; l'utente sta impostando il timer; sull'impianto è impostato il controllo centralizzato. (In presenza di queste condizioni, l'operazione "On/Off" viene disattivata).



<Come impostare il timer semplice>



1. Assicurarsi che sia visualizzata la schermata di controllo standard e che l'indicatore corrispondente al timer semplice ① sia visualizzato sul display. Se il display visualizza informazioni diverse da Simple Timer, impostare su SIMPLE TIMER utilizzando la selezione delle funzioni (vedi 8.[4]-3 (3)) per l'impostazione della funzione timer.
2. Premere il pulsante "Timer Menu" ② per visualizzare il messaggio "Set Up" sullo schermo (in ②). (Tenere presente che ad ogni pressione del pulsante sul display si alterneranno i messaggi "Set Up" e "Monitor").
3. Premere il pulsante "ON/OFF" ① per visualizzare le impostazioni correnti per l'accensione (ON) o lo spegnimento (OFF) del timer semplice. Premere una volta il pulsante per visualizzare quanto tempo rimane prima dell'accensione (ON), e premerlo nuovamente per visualizzare quanto tempo rimane prima dello spegnimento (OFF). (L'indicatore "ON/OFF" viene visualizzata in ③).
 - Timer di accensione (ON): Il condizionatore d'aria si metterà in funzione una volta trascorso il numero di ore specificato.
 - Timer di spegnimento (OFF): Il condizionatore d'aria smetterà di funzionare una volta trascorso il numero di ore specificato.
4. Con "ON" o "OFF" visualizzati in ③: Premere il pulsante "Set Time" ① appropriato per impostare l'orario di accensione (se è visualizzato "ON") o l'orario di spegnimento (se in ④ è visualizzato "OFF").
 - Intervalli disponibili: da 1 a 72 ore
5. Per impostare l'orario di accensione (ON) e spegnimento (OFF), ripetere i passaggi 3 e 4.
 - * Tenere presente che non si può impostare lo stesso valore come orario di accensione e spegnimento.
6. Per annullare le impostazioni di accensione e spegnimento correnti: Visualizzare l'impostazione di accensione (ON) o spegnimento (OFF) (v. passaggio 3) e quindi premere il pulsante "Check (Clear)" ⑩; l'impostazione dell'ora sarà cancellata e sarà visualizzato "—" in ④. (Per usare soltanto un'impostazione di accensione (ON) o spegnimento (OFF), assicurarsi che per l'impostazione che non si desidera utilizzare sia visualizzato "—" sul display).

6. Timer

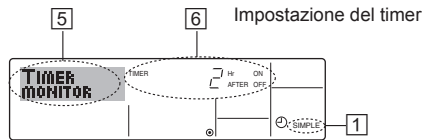
7. Dopo aver completato i passaggi da 3 a 6, premere il pulsante ④ "Filter" ← per confermare il valore.

Nota:

Le nuove impostazioni immesse saranno cancellate se si preme il pulsante modalità di funzionamento (indietro) ② prima di premere il pulsante ④ "Filter" ←.

8. Premere il pulsante ② modalità di funzionamento (indietro) per tornare alla schermata di controllo standard.
9. Premere il pulsante "Timer On/Off" ⑨ per avviare il conto alla rovescia del timer. Quando il timer è in funzione, il valore del timer viene visualizzato sul display. **Assicurarsi che il valore del timer sia visibile e corretto.**

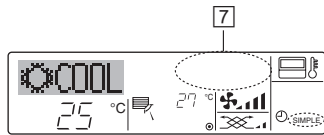
<Visualizzazione delle impostazioni correnti del timer semplice>



1. Assicurarsi che l'indicatore corrispondente al timer semplice sia visibile sullo schermo (in ①).
2. Premere il pulsante "Timer Menu" ② per visualizzare il messaggio "Monitor" sullo schermo (in ⑤).
 - Se è in funzione il timer semplice di accensione (ON) o spegnimento (OFF), il valore del timer corrente sarà visualizzato in ⑥.
 - Se si sono impostati entrambi i valori di accensione e spegnimento (ON/OFF), i due valori vengono visualizzati in sequenza.
3. Premere il pulsante modalità di funzionamento (indietro) ② per chiudere il display del monitor e tornare alla schermata di controllo standard.

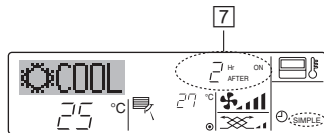
<Per disattivare il timer semplice...>

Premere il pulsante "Timer On/Off" ⑨ in modo che l'impostazione timer non sia più visualizzata sullo schermo (in ⑦).



<Per avviare il timer del semplice...>

Premere il pulsante "Timer On/Off" ⑨ per visualizzare l'impostazione timer in ⑦.

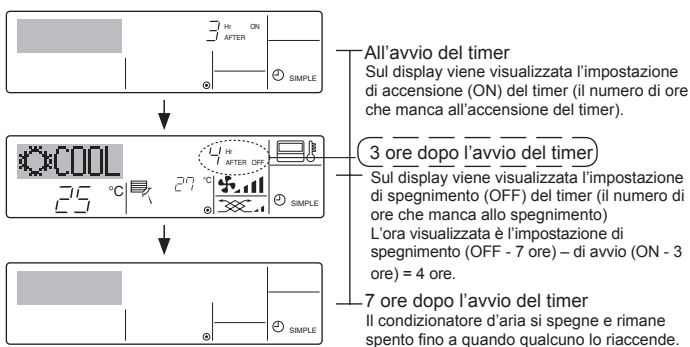


Esempi

Se gli orari di accensione (ON) e spegnimento (OFF) sono stati impostati sul timer semplice, l'operazione e il display si presenteranno nel modo seguente.

Esempio 1:

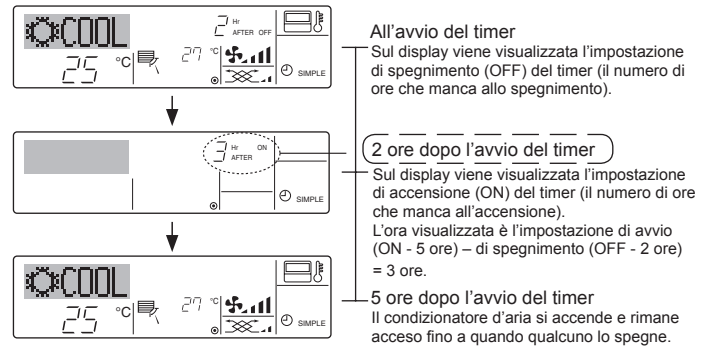
Avvio del timer, con orario di accensione (ON) impostato prima dell'orario di spegnimento (OFF)
 Impostazione di accensione (ON): 3 ore
 Impostazione di spegnimento (OFF): 7 ore



Esempio 2:

Avvio del timer, con orario di spegnimento (OFF) impostato prima dell'orario di accensione (ON)

Impostazione di accensione (ON): 5 ore
 Impostazione di spegnimento (OFF): 2 ore

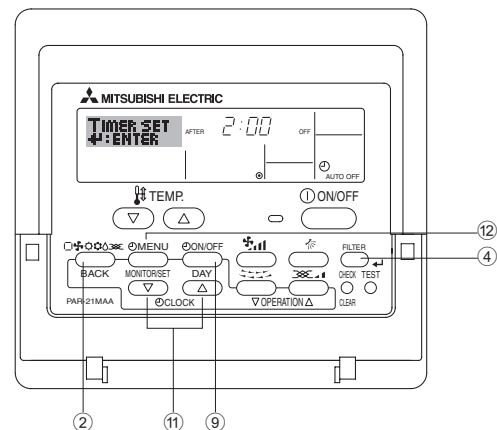


6.1.3. Timer di arresto automatico

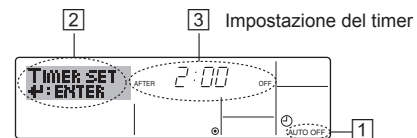
- Questo timer inizia il conto alla rovescia quando il condizionatore d'aria si mette in funzione, e lo spegne all'orario impostato.
- Le impostazioni disponibili vanno da 30 minuti a 4 ore, in intervalli di 30 minuti.

Nota:

- *1. Il Timer settimanale/Timer semplice/Timer di arresto automatico non possono essere usati contemporaneamente.
- *2. Il timer di arresto automatico non funzionerà in presenza di una qualsiasi delle seguenti condizioni:
 Il timer è disattivato; presenza di una condizione anomala dell'impianto; è in corso un test; il telecomando sta effettuando un controllo o una diagnosi; l'utente sta selezionando una funzione; l'utente sta impostando il timer; sull'impianto è impostato il controllo centralizzato. (In presenza di queste condizioni, l'operazione "On/Off" viene disattivata).



<Come impostare il timer di arresto automatico>



1. Assicurarsi che sia visualizzata la schermata di controllo standard e che l'indicatore corrispondente al timer di arresto automatico ① sia visualizzato sul display. Se il display visualizza informazioni diverse da Auto Off Timer, impostare su AUTO OFF TIMER utilizzando la selezione delle funzioni (vedi 8.[4]-3 (3)) per l'impostazione della funzione timer.
2. Premere il pulsante "Timer Menu" ② per 3 secondi, fino a visualizzare il messaggio "Set Up" sullo schermo (in ②). (Tenere presente che ad ogni pressione del pulsante sul display si alterneranno i messaggi "Set Up" e "Monitor").
3. Premere il pulsante "Set Time" ⑩ appropriato fino a impostare l'ora di spegnimento (OFF) desiderata (in ③).
4. Premere il pulsante ④ "Filter" ← per confermare le impostazioni.

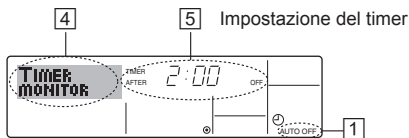
Nota:

Le impostazioni immesse saranno cancellate se si preme il pulsante modalità di funzionamento (indietro) ② prima di premere il pulsante ④ "Filter" ←.

5. Premere il pulsante modalità di funzionamento (indietro) ② per completare la procedura d'impostazione e tornare alla schermata di controllo standard.
6. Se il condizionatore d'aria è già in funzione, il timer inizierà immediatamente il conto alla rovescia. **Verificare che le impostazioni timer siano visualizzate correttamente sul display.**

6. Timer

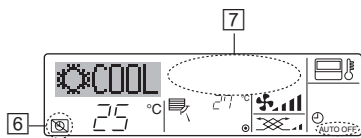
<Controllo delle impostazioni del timer di arresto automatico>



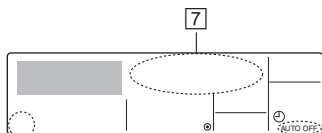
1. Assicurarsi che l'indicatore corrispondente al timer di arresto automatico sia visibile sullo schermo (in 1).
2. Premere il pulsante "Timer Menu" 2 per 3 secondi, fino a visualizzare il messaggio "Monitor" sullo schermo (in 4).
 - In 5 viene visualizzato il tempo che rimane prima dell'arresto dell'apparecchio.
3. Per chiudere il monitor e tornare alla schermata di controllo standard, premere il pulsante modalità di funzionamento (indietro) 2.

<Disattivare il timer di arresto automatico...>

- Tenere premuto il pulsante "Timer On/Off" 6 per 3 secondi, fino a quando viene visualizzato "Timer Off" (in 6) e scompare il valore timer (in 7).

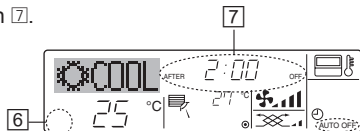


- In alternativa, spegnere il condizionatore d'aria. Il valore timer (in 7) scomparirà dallo schermo.



<Avviare il timer di arresto automatico...>

- Tenere premuto il pulsante "Timer On/Off" 6 per 3 secondi. L'indicazione "Timer off" scompare (in 6), e l'impostazione timer viene visualizzata sul display (in 7).
- In alternativa, accendere il condizionatore d'aria. Il valore timer sarà visualizzato in 7.



7. Altre funzioni

7.1. Blocco dei pulsanti del telecomando (limite di funzionamento)

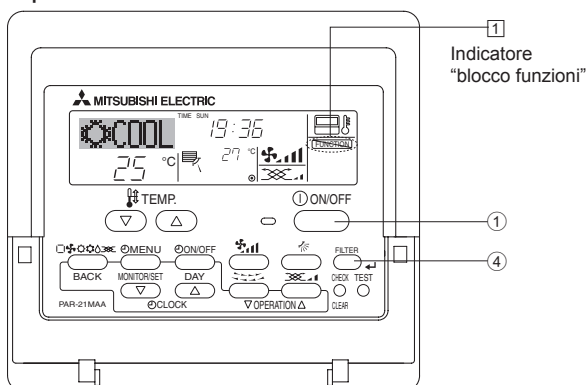
- Se lo si desidera, è possibile bloccare i pulsanti del telecomando. È possibile usare la Selezione Funzioni del telecomando per scegliere il tipo di blocco da utilizzare. (Per informazioni sulla selezione del tipo di blocco, vedere la sezione 8, punto [4]-2 (1)).

Più precisamente, si possono usare i seguenti due tipi di blocco.

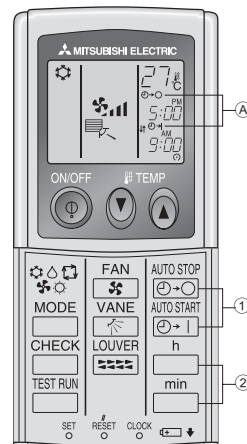
- 1 Blocca tutti i pulsanti:
Blocca tutti i pulsanti del telecomando.
- 2 Blocca tutti tranne ON/OFF:
Blocca tutti i pulsanti tranne il pulsante ON/OFF.

Nota:

L'indicatore "blocco funzioni" viene visualizzato sullo schermo per segnalare il blocco dei pulsanti.



6.2. Per il regolatore a distanza senza fili

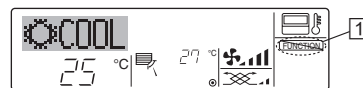


- 1 Premere i pulsanti 1 o 2 (TIMER SET).
 - L'ora può essere impostata quando il simbolo sottostante lampeggia. Disattivazione del timer: A 1-0 lampeggia. Attivazione del timer: A 1-1 lampeggia.
 - 2 Utilizzare i pulsanti h e min per impostare l'ora desiderata.
 - 3 Cancellazione delle funzioni del timer. Per cancellare la funzione di disattivazione del timer (OFF Timer), premere il pulsante 1-0. Per cancellare la funzione di attivazione del timer (ON Timer), premere il pulsante 1-1.
- È possibile combinare fra loro i timer di attivazione e di disattivazione.
 - Premendo il tasto di accensione/spegnimento ON/OFF del comando a distanza durante il modo timer per arrestare l'unità, verranno cancellate le impostazioni del timer.
 - Se l'ora in corso non è stata impostata, non è possibile usare la modalità timer.

<Come bloccare i pulsanti>

1. Tenendo premuto il pulsante "Filter" 4, premere e tenere premuto il pulsante ON/OFF 1 per 2 secondi. L'indicatore blocco funzioni si accende sullo schermo (in 1), per segnalare l'attivazione del blocco.

- * Se il blocco è stato disattivato in Selezione funzioni, quando si premeranno i pulsanti nel modo descritto in precedenza sullo schermo sarà visualizzato il messaggio "Not available".



- Se si preme un pulsante bloccato, l'indicatore blocco funzioni (in 1) lampeggerà sul display.



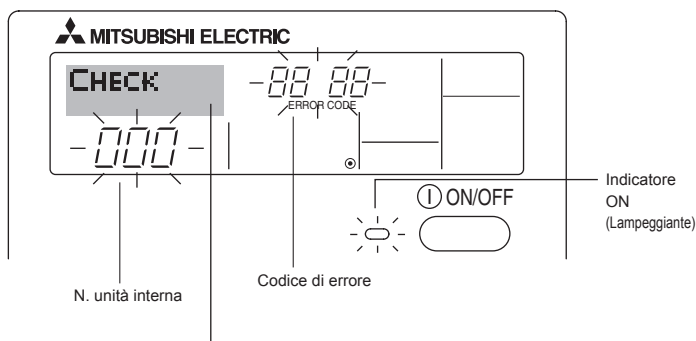
<Come sbloccare i pulsanti>

1. Tenendo premuto il pulsante "Filter" 4, premere e tenere premuto il pulsante ON/OFF 1 per 2 secondi; l'indicatore blocco funzioni scomparirà dallo schermo (in 1).



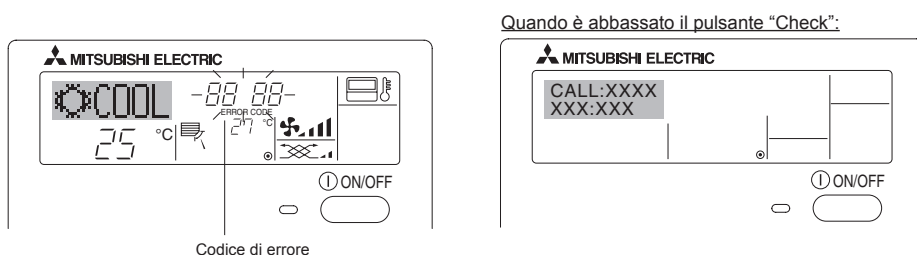
7. Altre funzioni

7.2. Indicazione dei codici di errore



Se si è fornito un recapito telefonico di riferimento per eventuali problemi, il numero viene visualizzato sullo schermo. (Questa impostazione può essere effettuata in Selezione funzioni. Per informazioni, fare riferimento alla sezione 8.)

- Se lampeggiano sia l'indicatore ON, sia il codice di errore: Significa che il condizionatore d'aria è guasto e il funzionamento è stato interrotto (e non può essere ripristinato). Prendere nota del numero unità indicato e del codice di errore, quindi togliere l'alimentazione al condizionatore d'aria e contattare il proprio rivenditore o tecnico.



- Se lampeggia soltanto il codice di errore (e l'indicatore ON rimane acceso): L'apparecchio continua a funzionare, ma c'è un problema nell'impianto. In questo caso, prendere nota del codice di errore e contattare il proprio rivenditore o tecnico per una consulenza.

* Se si è immesso un recapito telefonico di riferimento per eventuali problemi, premere il pulsante "Check" per visualizzarlo sullo schermo. (Questa impostazione può essere effettuata in Selezione funzioni. Per informazioni, fare riferimento alla sezione 8.)

8. Selezione delle funzioni

Selezione delle funzioni del comando a distanza

L'impostazione delle funzioni del comando a distanza elencate di seguito può essere modificata mediante la modalità di selezione delle funzioni del comando a distanza. Modificare l'impostazione se necessario.

Elemento 1	Elemento 2	Elemento 3 (descrizione dell'impostazione)
1. Modifica lingua ("CHANGE LANGUAGE")	Impostazione lingua visualizzata sul display	<ul style="list-style-type: none"> • La visualizzazione in più lingue è possibile
2. Limite funzioni ("SELEZIONE FUNZIONI")	(1) Impostazione limite funzioni di funzionamento (blocco funzionamento) ("BLOCCO FUNZIONI")	<ul style="list-style-type: none"> • Impostazione dell'intervallo del limite di funzionamento (blocco funzionamento)
	(2) Uso impostazione modalità automatica ("SELEZIONE MODO AUTO")	<ul style="list-style-type: none"> • Impostazione dell'uso o meno della modalità di funzionamento "automatica"
	(3) Impostazione limite intervallo temperatura ("LIMITAZIONE TEMPERATURA")	<ul style="list-style-type: none"> • Impostazione dell'intervallo regolabile della temperatura (massima, minima)
3. Selezione modalità ("SELEZIONE MODO")	(1) Impostazione comando a distanza principale/asservito ("CONTROLLO MAIN/SUB")	<ul style="list-style-type: none"> • Selezione del comando a distanza principale o asservito * Se due comandi a distanza sono collegati a un unico gruppo, un comando a distanza deve essere impostato come asservito.
	(2) Uso impostazione orologio ("OROLOGIO")	<ul style="list-style-type: none"> • Impostazione dell'uso o meno della funzione orologio
	(3) Impostazione funzione timer ("TIMER SETTIMANALE")	<ul style="list-style-type: none"> • Impostazione del tipo di timer
	(4) Impostazione numero da chiamare in caso di errore ("CALL.")	<ul style="list-style-type: none"> • Visualizzazione del numero da chiamare in caso di errore • Impostazione del numero di telefono
4. Modifica display ("IMPOSTAZIONE MODO DISPLAY")	(1) Impostazione display temperatura °C/°F ("TEMPERATURA °C/°F")	<ul style="list-style-type: none"> • Impostazione dell'unità di temperatura (°C o °F) visualizzata
	(2) Impostazione display temperatura aria aspirata ("TEMPERATURA AMBIENTE")	<ul style="list-style-type: none"> • Impostazione dell'uso o meno del display della temperatura dell'aria interna (aspirata)
	(3) Impostazione display raffreddamento/riscaldamento automatico ("AUTO C/H")	<ul style="list-style-type: none"> • Impostazione dell'uso o meno del display "Cooling" (Raffreddamento) o "Heating" (Riscaldamento) durante il funzionamento nella modalità automatica

8. Selezione delle funzioni

[Flusso di selezione delle funzioni]
Impostazione della lingua (inglese)

Display normale
(quando il climatizzatore non è in funzione)

Tenere premuto il pulsante **(E)**, quindi premere il pulsante **(D)** per 2 secondi.

Tenere premuto il pulsante **(E)**, quindi premere il pulsante **(D)** per 2 secondi.

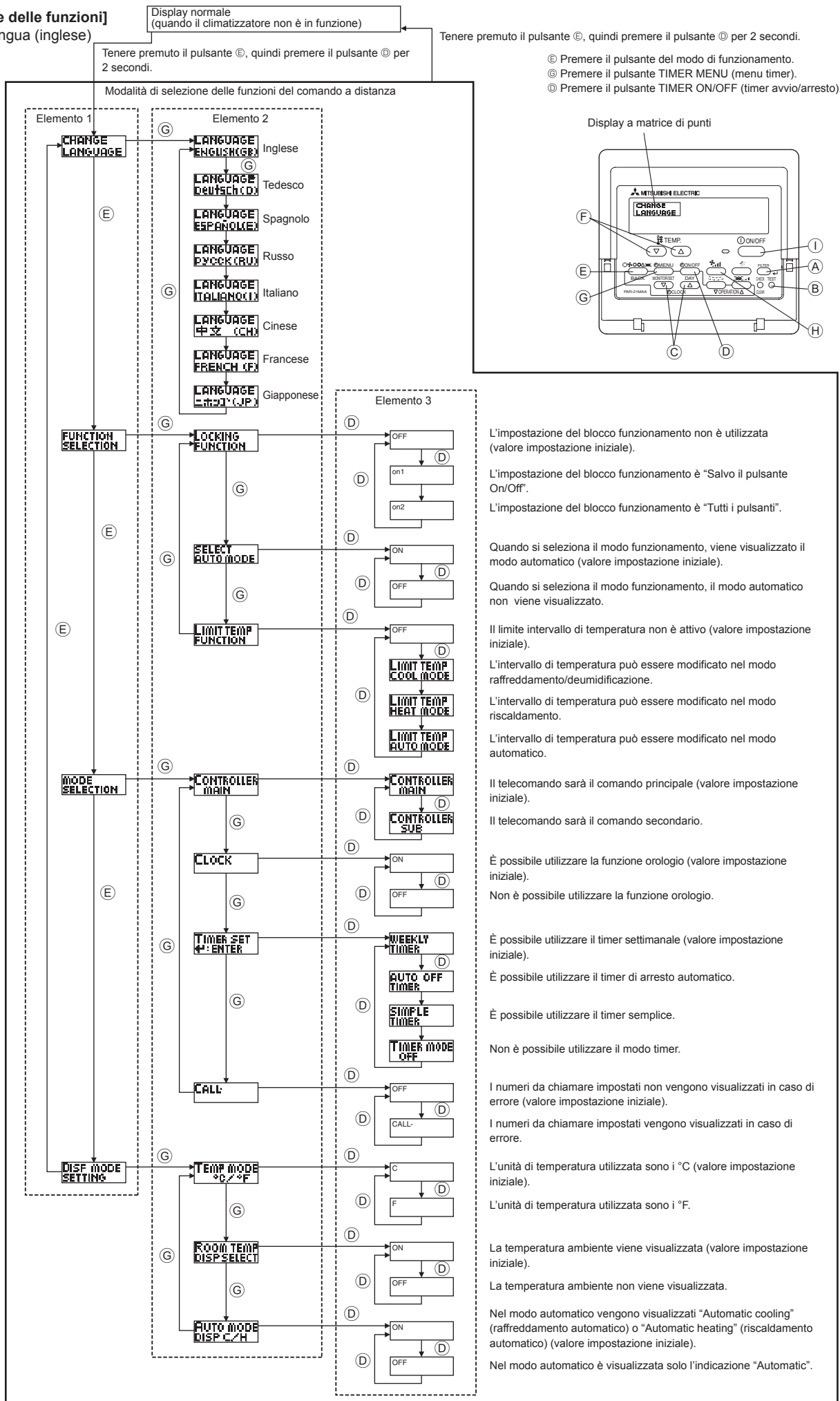
- (E)** Premere il pulsante del modo di funzionamento.
- (D)** Premere il pulsante TIMER MENU (menu timer).
- (D)** Premere il pulsante TIMER ON/OFF (timer avvio/arresto).

Modifica lingua

Selezione funzioni

Selezione modalità di funzionamento

Impostazione modo display



8. Selezione delle funzioni

[Impostazione dettagliata]

[4]-1. Impostazione CHANGE LANGUAGE (Cambia lingua)

La lingua visualizzata nel display a matrice di punti può essere selezionata.

- Per cambiare lingua, premere il pulsante [⊖ MENU] ⊕.
① Inglese (GB), ② Tedesco (D), ③ Spagnolo (E), ④ Russo (RU),
⑤ Italiano (I), ⑥ Cinese (CH), ⑦ Francese (F), ⑧ Giapponese (JP)

Consultare la tabella del display a matrice di punti.

[4]-2. Limite funzioni

(1) Impostazione limite funzioni di funzionamento (blocco funzioni)

- Per attivare o disattivare l'impostazione, premere il pulsante [⊖ ON/OFF] ⊕.
① no1 : L'impostazione di blocco del funzionamento viene eseguita per tutti i pulsanti, tranne il pulsante [⊖ ON/OFF].
② no2 : L'impostazione di blocco del funzionamento viene eseguita per tutti i pulsanti.
③ OFF (Impostazione iniziale) :
L'impostazione di blocco del funzionamento non viene eseguita.
- * Per rendere effettiva l'impostazione di blocco del funzionamento nel display normale, è necessario premere e tenere premuti contemporaneamente per 2 secondi i pulsanti [FILTER] e [⊖ ON/OFF] sul display normale dopo avere eseguito la suddetta impostazione.

(2) Uso impostazione modalità automatica

Quando il comando a distanza è collegato a un'unità che funziona in modalità automatica, è possibile eseguire le impostazioni seguenti.

- Per attivare o disattivare l'impostazione, premere il pulsante [⊖ ON/OFF] ⊕.
① ON (Impostazione iniziale):
Quando viene selezionata la modalità di funzionamento, la modalità automatica viene visualizzata.
② OFF:
Quando viene selezionata la modalità di funzionamento, la modalità automatica non viene visualizzata.

(3) Impostazione limite intervallo temperatura

Una volta eseguita questa impostazione, è possibile modificare la temperatura entro l'intervallo impostato.

- Per attivare o disattivare l'impostazione, premere il pulsante [⊖ ON/OFF] ⊕.
① LIMITAZIONE MODO COOL :
L'intervallo di temperatura può essere modificato nella modalità di raffreddamento/deumidificazione.
② LIMITAZIONE MODO HEAT :
L'intervallo di temperatura può essere modificato nella modalità di riscaldamento.
③ LIMITAZIONE MODO AUTO :
L'intervallo di temperatura può essere modificato nella modalità automatica.
④ OFF (impostazione iniziale) :
Il limite dell'intervallo di temperatura non è attivo.
- * Quando viene eseguita un'impostazione diversa da OFF, contemporaneamente viene impostato il limite dell'intervallo di temperatura nelle modalità di raffreddamento, riscaldamento e automatica. Tuttavia, tale intervallo non può essere limitato se l'intervallo di temperatura impostato non è stato modificato.
- Per aumentare o ridurre la temperatura, premere il pulsante [TEMP. (▽) o (△)] button ⊕.
- Per impostare il limite superiore e il limite inferiore, premere il pulsante [*,#] ⊕. L'impostazione selezionata lampeggia ed è possibile impostare la temperatura.
- Intervallo impostabile
Modalità di raffreddamento/deumidificazione :
Limite inferiore: 19°C a 30°C Limite superiore: 30°C a 19°C
Modalità di riscaldamento :
Limite inferiore: 17°C a 28°C Limite superiore: 28°C a 17°C
Modalità automatica :
Limite inferiore: 19°C a 28°C Limite superiore: 28°C a 19°C

[4]-3. Selezione della modalità di funzionamento

(1) Impostazione comando a distanza principale/asservito

- Per attivare o disattivare l'impostazione, premere il pulsante [⊖ ON/OFF] ⊕.
① Main: Il comando a distanza viene impostato come principale.
② Sub: Il comando a distanza viene impostato come asservito.

(2) Uso impostazione orologio

- Per attivare o disattivare l'impostazione, premere il pulsante [⊖ ON/OFF] ⊕.
① ON: La funzione orologio può essere utilizzata.
② OFF: La funzione orologio non può essere utilizzata.

(3) Impostazione funzione timer

- Per attivare o disattivare l'impostazione, premere il pulsante [⊖ ON/OFF] ⊕ (Scegliere una delle impostazioni seguenti.)
① TIMER SETTIMANALE (Impostazione iniziale) :
È possibile utilizzare il timer settimanale.
② AUTO OFF TIMER :
È possibile utilizzare il timer a disattivazione automatica.
③ TIMER SEMPLIFICATO :
È possibile utilizzare il timer semplice.
④ TIMER OFF :
Non è possibile utilizzare la modalità timer.
- * Se l'orologio è impostato in modo da non essere usato (OFF), non è possibile utilizzare il "TIMER SETTIMANALE".

(4) Impostazione numero da chiamare in caso di errore

- Per attivare o disattivare l'impostazione, premere il pulsante [⊖ ON/OFF] ⊕.
① CALL OFF:
I numeri da chiamare impostati non vengono visualizzati in caso di errore.
② CALL **** *
I numeri da chiamare impostati vengono visualizzati in caso di errore.
CALL_ :
Quando il display è come quello mostrato a sinistra, è possibile impostare i numeri da chiamare.
- Impostazione dei numeri da chiamare
Per impostare i numeri da chiamare, attenersi alla procedura seguente.
Spostare il cursore lampeggiante per impostare i numeri.
Premere i pulsanti [TEMP. (▽) e (△)] ⊕ per spostare il cursore verso destra e verso sinistra. Premere i pulsanti [CLOCK (▽) e (△)] ⊕ per impostare i numeri.

[4]-4. Impostazione del display

(1) Impostazione display temperatura °C/°F

- Per attivare o disattivare l'impostazione, premere il pulsante [⊖ ON/OFF] ⊕.
① °C: Viene utilizzata l'unità di temperatura °C.
② °F: Viene utilizzata l'unità di temperatura °F.

(2) Impostazione display temperatura aria aspirata

- Per attivare o disattivare l'impostazione, premere il pulsante [⊖ ON/OFF] ⊕.
① ON: La temperatura dell'aria aspirata viene visualizzata.
② OFF: La temperatura dell'aria aspirata non viene visualizzata.

(3) Impostazione display raffreddamento/riscaldamento automatico

- Per attivare o disattivare l'impostazione, premere il pulsante [⊖ ON/OFF] ⊕.
① ON:
Nella modalità automatica vengono visualizzati "Automatic cooling" (Raffreddamento automatico) e "Automatic heating" (Riscaldamento automatico).
② OFF:
Nella modalità automatica viene visualizzato solo "Automatic" (Automatica).

8. Selezione delle funzioni

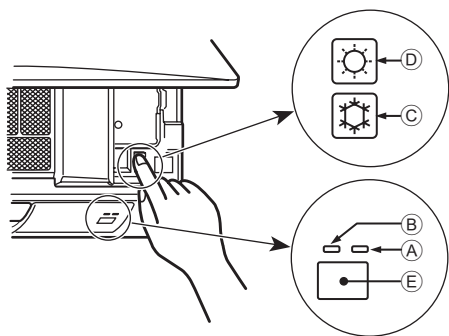
[Tabella del display a matrice di punti]

Impostazione della lingua	Inglese	Tedesco	Spagnolo	Russo	Italiano	Cinese	Francese	Giapponese
In attesa di avvio	PLEASE WAIT	←	←	←	←	←	←	←
Modo di funzionamento	Raffreddamento	COOL	Kühlen	FRÍO	Холод	COOL	FROID	冷房
	Deumidificazione	DRY	Trocknen	DESHUMIDIFICACIÓN	Сушка	DRY	DESHU	ドライ
	Riscaldamento	HEAT	Heizen	CALOR	Тепло	HEAT	CHAUD	暖房
	Automatica	AUTO	AUTO	AUTOMÁTICO	Авто	AUTO	AUTO	自動
	Automatica (Raffreddamento)	COOL	Kühlen	FRÍO	Холод	COOL	FROID	冷房
	Automatica (Riscaldamento)	HEAT	Heizen	CALOR	Тепло	HEAT	CHAUD	暖房
	Ventilazione	FAN	Lüfter	VENTILACIÓN	ВЕНТ	VENTILAZIONE	送風	送風
	Ventilazione	VENTILATION	Gelüftebetrieb	VENTILACIÓN	ВЕНТИЛЯЦИЯ	ARIA ESTERNA	换气	換気
	In attesa (regolazione calore)	STAND BY	STAND BY	CALENTANDO	ОБОГРЕВ: ПАУЗА	STAND BY	准备中	準備中
Sbrinamento	DEFROST	Alttauen	DESCONGELACIÓN	ОТТАВЛИВАНИЕ	SBRINAMENTO	除霜中	霜取中	
Temperatura impostata	SET TEMP	TEMP einstellen	TEMP. CONSIGNA	ЦЕЛЕВАЯ ТЕМПЕРАТУРА	IMPOSTAZIONE TEMPERATURA	设定温度	REGLAGE TEMPERATURE	設定温度
Velocità del ventilatore	FAN SPEED	Lüftergeschwindigkeit	VELOCIDAD VENTILADOR	СКОРОСТЬ ВЕНТИЛЯТОРА	VELOCITA' VENTILATORE	风速	VITESSE DE VENTILATION	風速
Pulsante non disponibile	NOT AVAILABLE	nicht verfügbar	NO DISPONIBLE	НЕ ДОСТУПНО	NON DISPONIBILE	无效按钮	NON DISPONIBLE	無効ボタン
Controllare (Errore)	CHECK	Prüfen	COMPROBAR	ПРОВЕРКА	CHECK	检查	CONTROLE	点検
Prova di funzionamento	TEST RUN	Testbetrieb	TEST FUNCIONAMIENTO	ТЕСТОВЫЙ ЗАПУСК	TEST RUN	试运行	TEST	試運転
Autoanalisi	SELF CHECK	Selbst-diagnose	AUTO REVISIÓN	САМОАНАЛИТИКА	SELF CHECK	自我诊断	AUTO CONTROLE	自己診断
Selezione delle funzioni unità	FUNCTION SELECTION	Funktion Auswählen	SELECCIÓN DE FUNCIONES	ВЫБОР ФУНКЦИИ	SELEZIONE FUNZIONI	功能选择	SELECTION FUNCTIONS	メニュー選択
Impostazione della ventilazione	SETTING OF VENTILATION	Lüfterstufen wählen	CONFIG. VENTILACIÓN	НАСТРОЙКА ВЕНТУСТАЯ	IMPOSTAZIONE ARIA ESTERNA	换气设定	SELECTION VENTILATION	換気設定

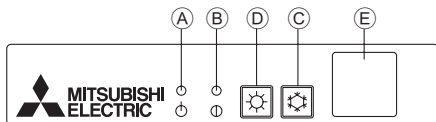
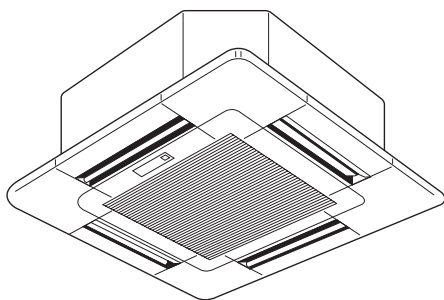
Impostazione della lingua	Inglese	Tedesco	Spagnolo	Russo	Italiano	Cinese	Francese	Giapponese
Modifica lingua	CHANGE LANGUAGE	←	←	←	←	←	←	←
Selezione funzioni	FUNCTION SELECTION	Funktion Auswählen	SELECCIÓN DE FUNCIONES	ВЫБОР ФУНКЦИИ	SELEZIONE FUNZIONI	功能限制	SELECTION FUNCTIONS	メニュー制限
Impostazione della limitazione funzioni	LOCKING FUNCTION	Sperri - Funktion	FUNCION BLOQUEADA	ФУНКЦИЯ БЛОКИРОВАН	BLOCCO FUNZIONI	操作限制	BLOCCAGE FONCTIONS	操作ロック
Impostazione uso del modo automatico	SELECT AUTO MODE	Auswahl Auto Betrieb	SELECCIÓN MODO AUTO	ВЫБОР РЕЖИМА АВТО	SELEZIONE MODO AUTO	自动模式	SELECTION DU MODO AUTO	自動モード
Impostazione limite intervallo temperature	LIMIT TEMP FUNCTION	Limit Temp Funktion	LIMIT TEMP CONSIGNA	ОГРАНИЧЕНИЕ УСТ. ТЕМПЕРАТ	LIMITAZIONE TEMPERATURA	温度限制	LIMITAZIONE TEMPERATURE	温度制限
Limitazione temperatura in modo raffreddamento/giorno	LIMIT TEMP COOL MODE	Limit Kühl Temp	LIMIT TEMP MODO FRIO	ОГРАНИЧЕНИЕ ОХЛАЖДЕНИЯ	LIMITAZIONE MODO COOL	制冷范围	LIMITE TEMP MODO FROID	制冷冷房
Limitazione temperatura in modo riscaldamento	LIMIT TEMP HEAT MODE	Limit Heiz Temp	LIMIT TEMP MODO CALOR	ОГРАНИЧЕНИЕ ОБОГРЕВ	LIMITAZIONE MODO HEAT	制热范围	LIMITE TEMP MODO CHAUD	制热暖房
Limitazione temperatura in modo automatico	LIMIT TEMP AUTO MODE	Limit Auto Temp	LIMIT TEMP MODO AUTO	ОГРАНИЧЕНИЕ РЕЖИМА АВТО	LIMITAZIONE MODO AUTO	自动范围	LIMITE TEMP MODO AUTO	制自动
Selezione modalità di funzionamento	MODE SELECTION	Betriebsart wählen	SELECCIÓN DE MODO	ВЫБОР РЕЖИМА	SELEZIONE MODO	基本模式	SELECTION DU MODE	基本メニュー
Impostazione MAIN del telecomando (principale)	CONTROLLER MAIN	Haupt Controller	CONTROL PRINCIPAL	ОСНОВНОЙ ПУЛЬТ	CONTROLLO MAIN	遥控主	TELCOMMANDE MAITRE	リモコン主
Impostazione SUB del telecomando (secondario)	CONTROLLER SUB	Neben Controller	CONTROL SECUNDARIO	ДОПОЛНИТЕЛЬНЫЙ ПУЛЬТ	CONTROLLO SUB	遥控辅	TELCOMMANDE ESCLAVE	リモコン主副
Impostazione uso orologio	CLOCK	Uhr	RELOJ	ЧАСЫ	OROLOGIO	时钟	AFFICHAGE HORLOGE	時計 3:00
Impostazione del giorno della settimana e dell'ora	TIME SET 4:ENTER	Uhr stellen 4:einstellen	CONFIG RELOJ 4:CONFIG	ЧАСЫ: УСТ. 4: ВВОД	OROLOGIO 4: ENTER	时间 4: ENTER	HORLOGE 4: ENTRER	トイセツテイ 4: カクテイ
Impostazione timer	TIMER SET 4:ENTER	Zeitschaltuhr 4:einstellen	TEMPORIZA - DOR 4:CONFIG	ТАЙМЕР: УСТ. 4: ВВОД	TIMER 4: ENTER	定时器 4: ENTER	PROG HORAIRES 4: ENTRER	タイマーセツテイ 4: カクテイ
Controllo timer	TIMER MONITOR	Uhrzeit Anzeige	VISUALIZAR TEMPORIZAD.	ПРОСМОТР ТАЙМЕРА	VISUALIZ TIMER	定时器状态	AFFICHAGE PROG HORAIRES	タイマーモニター
Timer settimanale	WEEKLY TIMER	Wochenzeit schalt Uhr	TEMPORIZA - DOR SEMANAL	НЕДЕЛЬНЫЙ ТАЙМЕР	TIMER SET WIMANALE	每周定时器	PROG HEBDU MAINDAIRE	タイマー週間
Disattivazione modo timer	TIMER MODE OFF	Zeitschaltuhr AUS	TEMPORIZA - DOR APAGADO	ТАЙМЕР ВЫКЛ.	TIMER OFF	定时器无效	PROG HORAIRES INACTIF	タイマー無効
Timer arresto automatico	AUTO OFF TIMER	Auto Zeit funktion AUS	APAGADO AUTOMÁTICO	АВТООТКЛЮЧ. ПО ТАЙМЕРУ	AUTO OFF TIMER	解除定时	PROG HORAIRES ARRET AUTO	タイマーオフオフ
Timer semplice	SIMPLE TIMER	einfache Zeitfunktion	TEMPORIZA - DOR SIMPLE	ПРОСТОЙ ТАЙМЕР	TIMER SEMPLIFICATO	简易定时器	PROG HORAIRES SIMPLIFIE	タイマーカンイ
Impostazione del numero da chiamare in caso di errore	CALL	←	←	←	←	←	←	←
Modifica display	DISP MODE SETTING	Anzeige Betriebsart	MOSTRAR MODO	НАСТРОЙКА ИНА РЕЖИМА	IMPOSTAZIONE MODO DISPLAY	转换表示	AFFICHAGE SOUS MENU	表示切替
Impostazione visualizz. temp. in °C/°F	TEMP MODE °C/°F	Wechsel °C/°F	TEMPGRADOS °C/°F	ЕДИН.ТЕМПЕРА. °C/°F	TEMPERATURA °C/°F	温度 °C/°F	TEMPERATURE °C/°F	温度 °C/°F
Impostazione visualizzazione temperatura ingresso aria	ROOM TEMP DISP SELECT	Raum Temp zeigeln	MOSTRAR TEMP.	ПОКАЗЫВАТЬ ТЕМП. В КОМН.	TEMPERATURA AMBIENTE	吸入温度	TEMPERATURE AMBIANTE	ストROOM 3:00
Impostazione visualizzazione raffredd./riscald. automatici	AUTO MODE DISP C/H	Auto Betrieb C/H	MOSTRAR F/C EN AUTO	ИНА. Т./Х В РЕЖИМЕ АВТО	AUTO C/H	自动表示	AFFICHAGE AUTO F/C	自動 3:00

9. Funzionamento d'emergenza per il telecomando senza fili

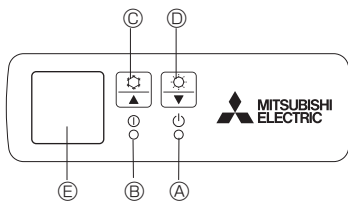
■ PKFY-P-VKM-E



■ PLFY-P-VCM-E2



■ PCFY-P-VKM-E



Quando non si può utilizzare il comando a distanza

Quando le batterie del telecomando si esauriscono oppure il telecomando si guasta, è possibile utilizzare l'apparecchio in modalità di emergenza mediante i tasti di emergenza sulla griglia.

- Ⓐ Spia DEFROST/STAND BY
- Ⓑ Spia di funzionamento
- Ⓒ Interruttore del funzionamento di emergenza in Raffreddamento
- Ⓓ Interruttore del funzionamento di emergenza in Riscaldamento
- Ⓔ Ricevitore

Avvio del funzionamento

- Per azionare la modalità di raffreddamento, premere il pulsante Ⓒ ☼ per più di 2 secondi.
- Per azionare la modalità di riscaldamento, premere il pulsante Ⓓ ☼ per più di 2 secondi.
- L'accensione della spia di funzionamento Ⓑ indica l'avvio del funzionamento.

Nota:

- I dettagli sulla modalità di emergenza sono indicati sotto.

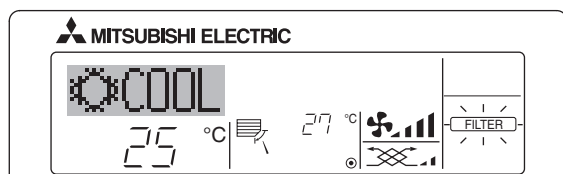
I dettagli della MODALITÀ DI EMERGENZA sono indicati sotto.

Modalità di funzionamento	COOL	HEAT
Temperatura impostata	24°C	24°C
Velocità di ventilazione	Alta	Alta
Direzione flusso d'aria	Orizzontale	Verso il basso 4 (5)

Arresto del funzionamento

- Per arrestare il funzionamento, premere il pulsante Ⓒ ☼ o il pulsante Ⓓ ☼ per più di 2 secondi

10. Cura e pulizia



- Indica che il filtro deve essere pulito.

Pulire il filtro.

- Reset display "FILTER" (FILTRO)

Quando si preme due volte successivamente il pulsante [FILTER] (FILTRO) dopo la pulizia del filtro, il display si spegne e viene ripristinato.

Nota:

- Quando vengono controllati due o più tipi di sezioni interne, il periodo di pulizia differisce a seconda del tipo di filtro. Quando arriva il momento di pulire l'unità principale, viene visualizzato "FILTER" (FILTRO). Quando si spegne il display del filtro, viene ripristinato il periodo di tempo cumulativo.
- "FILTER" (FILTRO) indica il periodo di pulizia quando è stato utilizzato il climatizzatore secondo le condizioni generali dell'aria interna. Poiché il grado di sporcizia dipende dalle condizioni ambientali, pulire il filtro in conseguenza.
- Il periodo di tempo cumulativo per la pulizia del filtro varia a seconda del modello.
- Questa indicazione non è disponibile per il telecomando senza fili.

► Pulizia dei filtri

- Pulire i filtri utilizzando un aspirapolvere. Qualora questo non sia disponibile, battere i filtri contro un oggetto solido per far partire la sporcizia e la polvere.
- Se i filtri sono particolarmente sporchi, lavarli in acqua tiepida. Accertarsi di sciacquare via completamente qualsiasi traccia di detersivo e far asciugare completamente i filtri prima di rimetterli nell'unità.

⚠ Cautela:

- Non far asciugare i filtri alla luce diretta del sole o usando una sorgente di calore, come un elettroriscaldatore: questo potrebbe deformarli.
- Non lavare i filtri in acqua calda (sopra i 50°C), per non deformarli.
- Accertarsi che i filtri dell'aria siano sempre installati. La mancanza di detti filtri nell'unità può causare un cattivo funzionamento della stessa.

⚠ Cautela:

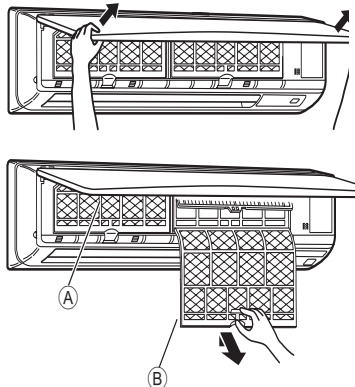
- Prima di pulire l'unità, arrestare il funzionamento e staccare la corrente.
- Le sezioni interne sono dotate di filtri destinati a rimuovere la polvere dall'aria aspirata. Pulire i filtri usando i metodi mostrati nelle seguenti figure.

⚠ Cautela:

- Prima di rimuovere il filtro, prendere le necessarie precauzioni al fine di proteggere gli occhi dalla polvere. Qualora sia necessario salire su una sedia per eseguire l'operazione, fare attenzione a non cadere.
- Una volta rimosso il filtro, non toccare le parti metalliche situate nell'apparecchio interno al fine di evitare lesioni.

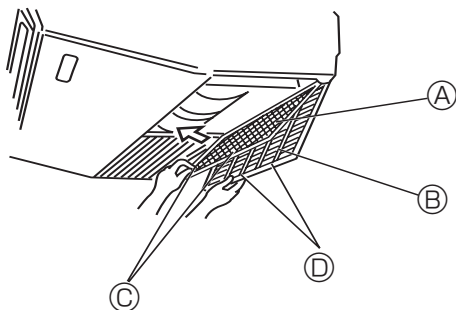
10. Cura e pulizia

■ PKFY-P-VKM-E



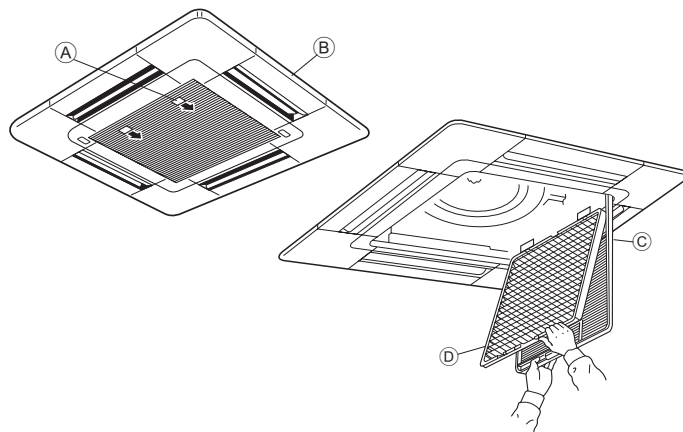
- ① Con entrambe le mani, sollevare gli angoli inferiori della griglia di ingresso per aprire la griglia, quindi sollevare il filtro fino a bloccarlo in posizione.
 - ② Tenere le maniglie del filtro e sollevare il filtro, quindi estrarlo verso il basso.
(In due punti, a destra e a sinistra)
- A Griglia anteriore
 B Filtro

■ PCFY-P-VKM-E



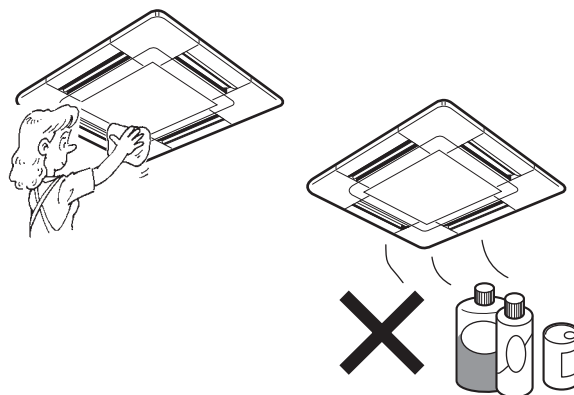
- ① Aprire la griglia di ingresso.
 - ② Tenere la manopola del filtro e sollevare poi il filtro in direzione della freccia. Per sostituire il filtro dopo averlo pulito, accertarsi di inserirlo in modo da farlo entrare completamente nel suo supporto.
- A Filtro B Griglia di ingresso C Manopola D Supporto

■ PLFY-P-VCM-E2



- ① Tirare la maniglia posta sulla griglia di ingresso nella direzione indicata dalla freccia: la griglia dovrebbe aprirsi.
 - ② Aprire la griglia di ingresso.
 - ③ Sganciare la maniglia posta sul centro del bordo della griglia e procedere all'estrazione del filtro.
- A Manopola
 B Griglia
 C Griglia di ingresso
 D Filtro

Pulizia della sezione interna



- Pulire la parte esterna dell'unità con uno straccio pulito, asciutto e morbido.
- Eliminare le macchie d'olio o le tracce di dita con un detergente casalingo neutro (come un liquido per lavastoviglie od un detergente per lavatrice).

⚠ Cautela:

Non usare mai benzina, benzolo, solvente, polvere abrasiva o qualsiasi tipo di detergente non neutro, poiché queste sostanze possono danneggiare la superficie esterna dell'unità.

11. Risoluzione dei problemi

Problemi?	Ecco la soluzione (l'unità funziona normalmente)
Il condizionatore d'aria non riscalda o non raffredda molto bene.	<ul style="list-style-type: none"> ■ Pulire il filtro (quando il filtro è sporco o ostruito, il flusso d'aria viene ridotto). ■ Verificare la regolazione della temperatura ed eventualmente modificarla. ■ Assicurarsi che vi sia sufficiente spazio libero attorno all'unità esterna. L'ingresso o l'uscita aria dell'unità interna sono ostruiti? ■ È stata lasciata una porta o una finestra aperta?
All'inizio del funzionamento in riscaldamento, dall'unità interna non esce subito aria calda.	<ul style="list-style-type: none"> ■ Inizia ad uscire aria calda quando l'unità interna si è riscaldata a sufficienza.
Mentre è attivo il modo riscaldamento, il condizionatore d'aria si arresta prima che venga raggiunta la temperatura ambiente impostata.	<ul style="list-style-type: none"> ■ Quando la temperatura esterna è bassa e vi è molta umidità, sull'unità esterna può formarsi della brina. In questo caso, l'unità esterna esegue un'operazione di sbrinamento. Il normale funzionamento riprende dopo circa 10 minuti.
La direzione del flusso d'aria su/giù cambia durante il funzionamento, oppure non è possibile impostarla.	<ul style="list-style-type: none"> ■ Durante il raffreddamento, le alette si spostano automaticamente nella posizione orizzontale (in basso) dopo 1 ora quando è selezionato il flusso d'aria verso il basso (orizzontale). Questo per impedire che si formi condensa che possa poi gocciolare dalle alette. ■ Durante il riscaldamento, le alette si spostano automaticamente nella posizione corrispondente al flusso d'aria orizzontale quando la temperatura del flusso d'aria è bassa o durante lo sbrinamento.
Quando si modifica la direzione del flusso d'aria su/giù, le alette si spostano sempre verso l'alto e verso il basso oltre la posizione impostata per poi arrestarsi sulla posizione.	<ul style="list-style-type: none"> ■ Quando si modifica la direzione del flusso d'aria, le alette si spostano sulla posizione impostata dopo il rilevamento della posizione di base.
Si sente un rumore di acqua che scorre o a volte un sibilo.	<ul style="list-style-type: none"> ■ È possibile avvertire questo tipo di rumori quando il refrigerante scorre all'interno del condizionatore o quando cambia il flusso del refrigerante.
Si sentono scoppiettii o scricchiolii.	<ul style="list-style-type: none"> ■ È possibile udire questo tipo di rumori quando, in seguito all'espansione ed al restringimento dovuti agli sbalzi di temperatura, alcune parti sfregano l'una contro l'altra.
Si avverte un odore sgradevole nella stanza.	<ul style="list-style-type: none"> ■ L'unità interna aspira aria contenente gli odori delle pareti, dei tappeti, dei mobili, nonché degli indumenti, quindi la riemette nella stanza.
Dall'unità interna fuoriesce una nebbiolina bianca.	<ul style="list-style-type: none"> ■ Se la temperatura interna e l'umidità sono elevate, può prodursi questo fenomeno all'avvio del condizionatore. ■ Durante lo sbrinamento, il flusso d'aria fredda può soffiare verso il basso ed assumere l'aspetto di una nebbiolina.
Dall'unità esterna fuoriesce acqua o vapore.	<ul style="list-style-type: none"> ■ Durante il funzionamento in raffreddamento può formarsi acqua che poi cola dai tubi di refrigerante e dalle guarnizioni. ■ Durante il funzionamento in riscaldamento, può formarsi acqua che cola dallo scambiatore di calore. ■ Durante il funzionamento in modo sbrinamento, l'acqua sullo scambiatore di calore evapora e può essere emesso vapore acqueo.
Sul display del telecomando non appare l'indicatore del funzionamento.	<ul style="list-style-type: none"> ■ Accendere l'interruttore di alimentazione. Sul display del telecomando apparirà l'indicazione "●".
Il condizionatore non funziona anche se viene premuto il tasto ON/OFF. La visualizzazione della modalità operativa sul controllo a distanza scompare.	<ul style="list-style-type: none"> ■ L'interruttore di alimentazione sull'unità interna è spento? Accendere l'interruttore.
Sul display del telecomando appare l'indicazione "☒".	<ul style="list-style-type: none"> ■ Quando è attivo il comando centrale, sul display del telecomando appare l'indicazione "☒" e non sarà possibile avviare o arrestare il condizionatore d'aria utilizzando il telecomando.
Quando si riavvia il condizionatore d'aria subito dopo averlo spento, il condizionatore non funziona nemmeno se si preme il pulsante ON/OFF.	<ul style="list-style-type: none"> ■ Attendere circa tre minuti (il funzionamento viene bloccato per proteggere il condizionatore d'aria).
Il condizionatore d'aria entra in funzione senza che sia stato premuto il pulsante ON/OFF.	<ul style="list-style-type: none"> ■ È stato impostato il timer di avvio? Premere il pulsante ON/OFF per arrestare il condizionatore. ■ Il condizionatore d'aria è collegato ad un telecomando centrale? Rivolgersi al personale incaricato del condizionatore d'aria. ■ Sul display del telecomando appare l'indicazione "☒" ? Rivolgersi al personale incaricato del condizionatore d'aria. ■ È stata impostata la funzione di ripresa automatica dopo le interruzioni di corrente? Premere il pulsante ON/OFF per arrestare il condizionatore.
Il condizionatore d'aria si arresta senza che sia stato premuto il pulsante ON/OFF.	<ul style="list-style-type: none"> ■ È stato impostato il timer di arresto? Premere il pulsante ON/OFF per riavviare il condizionatore. ■ Il condizionatore d'aria è collegato ad un telecomando centrale? Rivolgersi al personale incaricato del condizionatore d'aria. ■ Sul display del telecomando appare l'indicazione "☒" ? Rivolgersi al personale incaricato del condizionatore d'aria.
Non si riesce ad impostare il funzionamento del timer con il telecomando.	<ul style="list-style-type: none"> ■ Le impostazioni del timer sono valide? Se è possibile impostare il timer, sul display del telecomando appare l'indicazione (WEEKLY), (SIMPLE), o (AUTO OFF).
Sul display del telecomando appare il messaggio "PLEASE WAIT" (prego attendere).	<ul style="list-style-type: none"> ■ Sono in fase di esecuzione le impostazioni iniziali. Attendere circa 3 minuti.
Sul display del telecomando appare un codice di errore.	<ul style="list-style-type: none"> ■ Sono entrati in funzione i dispositivi di sicurezza che proteggono il condizionatore d'aria. ■ Non tentare di procedere da sé alla riparazione. Spegnerne immediatamente l'interruttore di alimentazione e rivolgersi al concessionario. Indicare al concessionario il nome del modello e le informazioni visualizzate sul display del telecomando.
Si sente un rumore di acqua che cola o di un motore in funzione.	<ul style="list-style-type: none"> ■ All'arresto del funzionamento in raffreddamento, la pompa di drenaggio si attiva e poi si arresta. Attendere circa 3 minuti.

11. Risoluzione dei problemi

Problemi?	Ecco la soluzione (l'unità funziona normalmente)												
Il rumore emesso è superiore a quanto indicato nelle specifiche tecniche.	<p>■ Il livello di rumorosità del funzionamento all'interno è influenzato dall'acustica del locale, come indicato nella seguente tabella, e risulta superiore a quanto indicato nelle specifiche perché il valore è stato misurato in una stanza priva di echi.</p> <table border="1"> <thead> <tr> <th></th> <th>Stanze con un alto livello di assorbimento sonoro</th> <th>Stanze normali</th> <th>Stanze con un basso livello di assorbimento sonoro</th> </tr> </thead> <tbody> <tr> <td>Esempi di diversi locali</td> <td>Studio di trasmissione, studio di incisione, ecc.</td> <td>Reception, atrio di albergo, ecc.</td> <td>Ufficio, stanza d'albergo</td> </tr> <tr> <td>Livelli di rumore</td> <td>Da 3 a 7 dB</td> <td>Da 6 a 10 dB</td> <td>Da 9 a 13 dB</td> </tr> </tbody> </table>		Stanze con un alto livello di assorbimento sonoro	Stanze normali	Stanze con un basso livello di assorbimento sonoro	Esempi di diversi locali	Studio di trasmissione, studio di incisione, ecc.	Reception, atrio di albergo, ecc.	Ufficio, stanza d'albergo	Livelli di rumore	Da 3 a 7 dB	Da 6 a 10 dB	Da 9 a 13 dB
	Stanze con un alto livello di assorbimento sonoro	Stanze normali	Stanze con un basso livello di assorbimento sonoro										
Esempi di diversi locali	Studio di trasmissione, studio di incisione, ecc.	Reception, atrio di albergo, ecc.	Ufficio, stanza d'albergo										
Livelli di rumore	Da 3 a 7 dB	Da 6 a 10 dB	Da 9 a 13 dB										
Sul display del telecomando senza fili non è visualizzato nulla, il display è molto debole, oppure l'unità interna riceve i segnali solo se il telecomando è molto vicino.	<p>■ Le batterie sono quasi esaurite. Sostituire le batterie e premere il pulsante Reset.</p> <p>■ Se continua a non apparire nulla nonostante siano state sostituite le batterie, assicurarsi che le batterie siano inserite nelle direzioni giuste (+, -).</p>												
La spia di funzionamento accanto al ricevitore del telecomando senza fili dell'unità interna lampeggia.	<p>■ Si è attivata la funzione di autodiagnosi per proteggere il condizionatore d'aria.</p> <p>■ Non tentare di procedere da sé alla riparazione. Spegnere immediatamente l'interruttore di alimentazione e rivolgersi al concessionario. Non dimenticare di specificare il nome del modello al concessionario.</p>												
L'unità interna emette aria calda in maniera intermittente quando la modalità di riscaldamento è disattivata o in modalità ventilazione.	<p>■ Quando un'altra unità interna funziona in modalità riscaldamento, la valvola di controllo si apre e si chiude occasionalmente per mantenere la stabilità nel sistema di condizionamento. Questa attività si fermerà dopo un po'.</p> <p>* Se questo dovesse provocare un aumento indesiderato della temperatura ambiente in piccoli ambienti, ecc., interrompere temporaneamente il funzionamento dell'unità interna.</p>												

Campo di applicazione:

Viene indicata qui sotto la fascia delle temperature di funzionamento sia delle sezioni interne che esterne dei modelli della serie Y, R2, Multi-S.

⚠ Cautela:

L'uso del condizionatore d'aria a temperature e tassi di umidità situati al di fuori dei campi di valori corrispondenti, può causare un grave guasto dell'unità.

Modo	Sezione interna	Sezione esterna		
		PUHY	PURY	PUMY
Raffreddamento	15 °C - 24 °C WB	-5 °C - 46 °C DB	-5 °C - 46 °C DB	-5 °C - 46 °C DB
Riscaldamento	15 °C - 27 °C DB	-20 °C - 15,5 °C WB	-20 °C - 15,5 °C WB	-15 °C - 15 °C WB

Nota: Per il tasso di umidità standard sia per le sezioni interne che esterne, noi raccomandiamo un campo di valori dell'umidità relativa compreso fra il 30 e l'80%.

⚠ Avvertenza:

Se il condizionatore è acceso ma non raffredda o riscalda la stanza (in funzione del modello), occorre contattare il tecnico dell'assistenza in quanto può esservi una perdita di refrigerante.

Chiedere quindi al tecnico, al momento della riparazione, di verificare la presenza di eventuali perdite di refrigerante.

Il refrigerante caricato nel condizionatore è sicuro. Di solito, non vi sono perdite. Tuttavia, qualora vi siano delle perdite di refrigerante all'interno e questo venga a contatto con la fiamma di un riscaldatore del ventilatore, un apparecchio di riscaldamento, un fornello, ecc., verranno generate delle sostanze pericolose.

12. Specifiche tecniche

Modelli		PKFY-P63VKM-E	PKFY-P100VKM-E
Alimentazione (Voltaggio<V>/Frequenza)	<Hz>	~N/220-230-240/50, 220/60	
Capacità (Raffreddamento/Riscaldamento)	<kW>	7,1/8,0	11,2/12,5
Dimensione (Altezza)	<mm>	365	
Dimensione (Larghezza)	<mm>	1170	
Dimensione (Spessore)	<mm>	295	
Peso netto	<kg>	22	
Portata flusso d'aria (Basso-Alto)	<m³/min>	16-20	20-25
Livello sonoro (Basso-Alto)	<dB>	39-43	41-49

Modelli		PLFY-P15VCM-E2	PLFY-P20VCM-E2	PLFY-P25VCM-E2	PLFY-P32VCM-E2	PLFY-P40VCM-E2
Alimentazione (Voltaggio<V>/Frequenza)	<Hz>	~N/220-230-240/50				
Capacità (Raffreddamento/Riscaldamento)	<kW>	1,7/1,9	2,2/2,5	2,8/3,2	3,6/4,0	4,5/5,0
Dimensione (Altezza)	<mm>	208 (20)				
Dimensione (Larghezza)	<mm>	570 (650)				
Dimensione (Spessore)	<mm>	570 (650)				
Peso netto	<kg>	15,5 (3)			17,0 (3)	
Portata flusso d'aria (Basso-Medio-Alto)	<m³/min>	8-8,5-9	8-9-10		8-9-11	
Livello sonoro (Basso-Medio-Alto)	<dB>	28-30-31	28-31-35	28-31-37	29-33-38	30-34-39

Modelli		PCFY-P40VKM-E	PCFY-P63VKM-E	PCFY-P100VKM-E	PCFY-P125VKM-E
Alimentazione (Voltaggio<V>/Frequenza)	<Hz>	~N 220-230-240/50, 220/60			
Capacità (Raffreddamento/Riscaldamento)	<kW>	4,5/5,0	7,1/8,0	11,2/12,5	14,0/16,0
Dimensione (Altezza)	<mm>	230			
Dimensione (Larghezza)	<mm>	960	1280	1600	
Dimensione (Spessore)	<mm>	680			
Peso netto	<kg>	24	32	36	38
Portata flusso d'aria (Basso-Medio2-Medio1-Alto)	<m³/min>	10-11-12-13	14-15-16-18	21-24-26-28	21-24-27-31
Livello sonoro (Basso-Medio2-Medio1-Alto)	<dB>	29-32-34-36	31-33-35-37	36-38-41-43	36-39-42-44

*1 La capacità di raffreddamento/riscaldamento indica il valore massimo delle sezioni alle seguenti condizioni operative.

Raffreddamento: Interna 27 °C DB/19 °C WB., Esterna 35 °C DB

Riscaldamento: Interna 20 °C DB, Esterna 7 °C DB/6 °C WB

*2 I valori fra parentesi si riferiscono al pannello.

Περιεχόμενα

1. Προφυλακτικά Μέτρα Ασφαλείας.....	122
2. Ονόματα μερών	123
3. Διαμόρφωση οθόνης	126
4. Ρύθμιση της ημέρας της εβδομάδας και της ώρας	126
5. Λειτουργία.....	126
6. Timer (Χρονοδιακόπτης)	129
7. Άλλες λειτουργίες.....	132
8. Επιλογή λειτουργίας	133
9. Λειτουργία εκτάκτου ανάγκης για ασύρματο τηλεχειριστήριο ...	137
10. Φροντίδα και καθαρισμός.....	137
11. Αντιμετώπιση προβλημάτων	139
12. Προδιαγραφές	141

1. Προφυλακτικά Μέτρα Ασφαλείας

- ▶ Πριν κάνετε την εγκατάσταση της μονάδας, βεβαιωθείτε ότι διαβάσατε όλα τα “Προφυλακτικά Μέτρα Ασφαλείας”.
- ▶ Τα “Προφυλακτικά Μέτρα Ασφαλείας” παρέχουν πολύ σημαντικές πληροφορίες σχετικά με την ασφάλεια. Παρακαλείστε να βεβαιώνετε ότι εφαρμόζετε τα μέτρα ασφαλείας που προβλέπονται.
- ▶ Πριν κάνετε τη σύνδεση στο σύστημα, παρακαλούμε να αναφέρετε ή να ζητήσετε επιβεβαίωση από τον αρμόδιο οργανισμό ανεφοδιασμού.

Σύμβολα που χρησιμοποιούνται στο κείμενο

⚠ Προειδοποίηση:

Περιγράφει τα μέτρα ασφαλείας που πρέπει να λαμβάνονται για την πρόληψη του κινδύνου τραυματισμού ή και θανάτου του χρήστη.

⚠ Προσοχή:

Περιγράφει προφυλακτικά μέτρα που πρέπει να λαμβάνονται για ν'αποφεύγεται βλάβη στη μονάδα.

Σύμβολα που χρησιμοποιούνται στις εικονογραφήσεις

⚠ :Δείχνει μέρος της συσκευής που πρέπει να γειώνεται.

Σημείωση:

Η φράση “Ενσύρματο τηλεχειριστήριο” σε αυτό το εγχειρίδιο λειτουργίας αναφέρεται στο PAR-21MAA.

Εάν χρειάζεστε πληροφορίες για άλλο τηλεχειριστήριο, ανατρέξτε στο βιβλίο οδηγιών που περιλαμβάνεται σε αυτά τα κουτιά.

⚠ Προειδοποίηση:

- Αυτές οι συσκευές δεν προορίζονται για το ευρύ κοινό.
- Η εγκατάσταση της μονάδας δεν πρέπει να γίνεται από τον χρήστη. Ζητήστε από το κατάστημα που την αγοράσατε ή από εξουσιοδοτημένη εταιρεία να κάνουν την εγκατάσταση της μονάδας. Εάν η εγκατάσταση της μονάδας δεν γίνει όπως προβλέπεται, ενδέχεται να έχει σαν αποτέλεσμα να παρουσιαστεί διαρροή νερού, να προκληθεί ηλεκτροπληξία ή να συμβεί πυρκαγιά.
- Μη στέκεστε ή τοποθετείτε διάφορα είδη πάνω στη μονάδα.
- Μη πετάτε ή πιτσιλίζετε νερό πάνω στη μονάδα και μη την αγγίζετε με βρεγμένα χέρια. Υπάρχει κίνδυνος να προκληθεί ηλεκτροπληξία.
- Μη ψεκάσετε εύφλεκτο αέριο κοντά στη μονάδα. Ενδέχεται να προκληθεί πυρκαγιά.
- Μη τοποθετείτε θερμάστρα γκαζιού ή κάθε άλλη συσκευή που παράγει γυμνή φλόγα σε μέρος όπου θα εκτίθεται στην αποβολή αερίων από τη μονάδα. Η καύση της θερμάστρας ενδέχεται να είναι ατελής.
- Ενώ η εξωτερική μονάδα βρίσκεται σε λειτουργία δεν πρέπει να βγάζετε το μπροστινό φάνωμα ή τον προφυλακτήρα του ανεμιστήρα.
- Ποτέ μην επισκευάζετε τη μονάδα ή την μεταφέρετε σε άλλο μέρος οι ίδιοι.
- Μόλις παρατηρήσετε παράξενους ή ασυνήθιστους ήχους, θόρυβο, ή κραδασμούς, σταματήστε την λειτουργία της συσκευής κλείνοντας τον διακόπτη παροχής ηλεκτρικού ρεύματος και αποταθείτε στον μεταπωλητή που σας την προμήθευσε.
- Μην βάζετε τα δάκτυλά σας, μακρόστενα αντικείμενα κτλ. μέσα στο στόμιο εισόδου και εξόδου του αέρα.

- Εάν ασυνήθιστες μυρωδιές εκπέμπονται από την μονάδα, σταματήστε να τη χρησιμοποιείτε, κλείσετε τον ηλεκτρικό διακόπτη και συμβουλευτείτε το κατάστημα από το οποίο την αγοράσατε. Εάν συνεχίσετε να τη χρησιμοποιείτε, ενδέχεται να προκληθεί βλάβη, ηλεκτροπληξία ή πυρκαγιά.
- Το συγκεκριμένο κλιματιστικό ΔΕΝ προορίζεται για να χρησιμοποιείται χωρίς επίβλεψη από παιδιά ή άτομα με ειδικές ανάγκες.
- Μικρά παιδιά πρέπει να επιβλέπονται ώστε να μην παίζουν με το κλιματιστικό.
- Εάν παρουσιασθεί μία διαφυγή ή διαρροή στο ψυκτικό αέριο, σταματήστε να χρησιμοποιείτε το μηχάνημα, εξαιρίστε πλήρως τον χώρο και αποταθείτε στον μεταπωλητή.
- Αυτή η συσκευή δεν προορίζεται για χρήση από άτομα με ειδικές ανάγκες σε επίπεδο σωματικό ή διανοητικό (συμπεριλαμβανομένων παιδιών), ή έλλειψη εμπειρίας και γνώσης, εκτός εάν επιτηρούνται ή τους έχουν δοθεί οδηγίες σχετικά με τη χρήση της συσκευής από άτομο υπεύθυνο για την ασφάλειά τους.
- Κατά την εγκατάσταση ή τη μετακίνηση του κλιματιστικού, χρησιμοποιείτε μόνο το συνιστώμενο ψυκτικό (R410A) για την πλήρωση των γραμμών ψυκτικού. Μην το αναμιγνύετε με άλλο ψυκτικό μέσο και μην αφήνετε τον αέρα να παραμένει μέσα στις γραμμές. Εάν αναμιχθεί αέρας με το ψυκτικό, ενδέχεται να προκαλέσει ασυνήθιστα υψηλή πίεση στη γραμμή ψυκτικού, με ενδεχόμενο έκρηξης και άλλους κινδύνους. Η χρήση ψυκτικού διαφορετικού από αυτό που καθορίζεται για το σύστημα θα προκαλέσει μηχανική βλάβη ή δυσλειτουργία του συστήματος ή ζημιά στο σύστημα. Στη χειρότερη περίπτωση, μια τέτοια ενέργεια ενδέχεται να υπονομεύσει την ασφάλεια του προϊόντος.

⚠ Προσοχή:

- Μη χρησιμοποιείτε αιχμηρά αντικείμενα για να πατάτε τα κουμπιά, η ενέργεια αυτή ενδέχεται να προκαλέσει βλάβη στο τηλεχειριστήριο.
- Ποτέ μη μπλοκάρτε ή καλύπτετε στόμιο εισόδου και εξόδου αέρα της εσωτερικής και της εξωτερικής μονάδας.
- Μην σκουπίζετε το τηλεχειριστήριο με ύφασμα που έχει έρθει σε επαφή με βενζίνη, διαλύτες, χημικά κ.λπ.
- Μην λειτουργείτε για μεγάλο διάστημα σε υψηλή υγρασία, π.χ. αφήνοντας πόρτα ή παράθυρο ανοικτό. Κατά την ψύξη, εάν η λειτουργία γίνεται σε χώρο με μεγάλη υγρασία (80% ή περισσότερο) για μεγάλο διάστημα, το συμπυκνωμένο νερό στο κλιματιστικό μπορεί να στάζει και να μουσκέψει και να καταστρέψει έπιπλα, κλπ.

- Μην αγγίζετε την περσίδα στην άνω έξοδο του αέρα ή το διάφραγμα στην κάτω έξοδο του αέρα, κατά τη διάρκεια της λειτουργίας. Διαφορετικά, μπορεί να σχηματιστεί συμπύκνωση υγρασίας και να διακοπεί η λειτουργία της μονάδας.

Πέταγμα της μονάδας σαν άχρηστη

Εάν θέλετε να πετάξετε τη συσκευή σαν άχρηστη, συμβουλευτείτε σχετικά το κατάστημα από το οποίο την αγοράσατε.

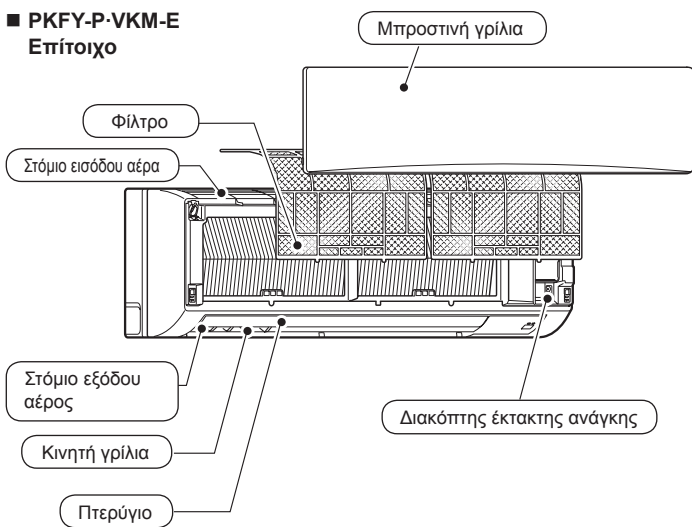
2. Ονόματα μερών

■ Εσωτερική μονάδα

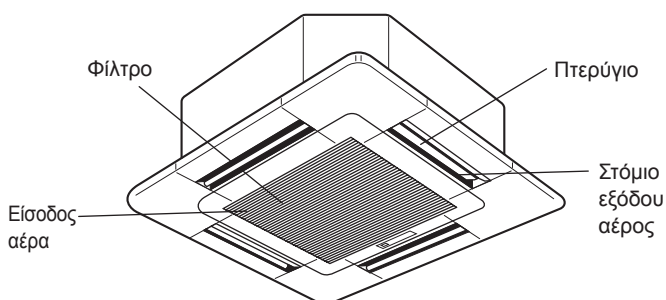
	PKFY-P-VKM-E	PLFY-P-VCM-E2	PCFY-P-VKM-E
Ταχύτητα ανεμιστήρα	2 ταχυτήτων	3 ταχυτήτων	4 ταχυτήτων + Αυτό*
Πτερύγιο	Βήματα	4 Βήματα	5 Βήματα
	Αυτόματη παλινδρόμηση	○	○
Κινητή γρίλια	Μη αυτόματο	—	Μη αυτόματο
Φίλτρο	Κανονικό	Μεγάλη διάρκεια ζωής	Μεγάλη διάρκεια ζωής
Ένδειξη καθαρισμού φίλτρου	100 ώρες	2.500 ώρες	2.500 ώρες

* Αυτή η λειτουργία είναι διαθέσιμη μόνο με τη χρήση του τηλεχειριστηρίου που είναι ικανό να ρυθμίσει την ταχύτητα του Ανεμιστήρα στο αυτόματο "Αυτό".

■ PKFY-P-VKM-E Επίτοιχο

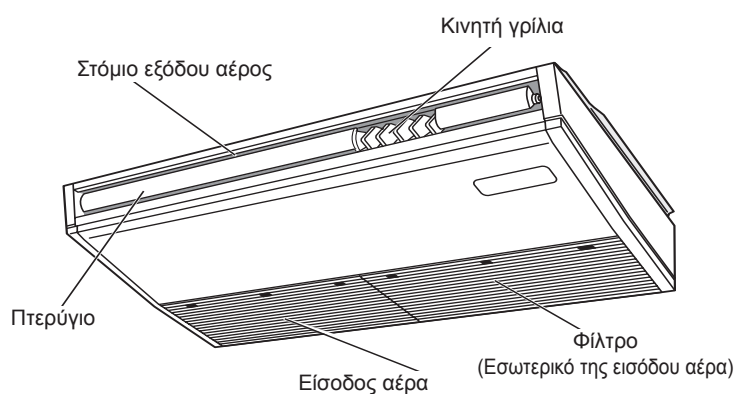


■ PLFY-P-VCM-E2 Κασέτα οροφής 4 κατευθύνσεων



■ PCFY-P-VKM-E

Αναρτώμενο οροφής



2. Ονόματα μερών

■ για ενσύρματο τηλεχειριστήριο (προαιρετικών μερών)

Ενότητα ενδείξεων

Για επεξηγηματικούς λόγους, εμφανίζονται αναμμένες όλες οι ενδείξεις. Κατά την κανονική λειτουργία, θα είναι αναμμένα μόνο τα κατάλληλα αντικείμενα.

Αναγνωρίζει την τρέχουσα λειτουργία

Δείχνει την λειτουργία, κ.λπ.
* Υποστηρίζονται ενδείξεις σε πολλές γλώσσες.

Δείκτης κεντρικού ελέγχου

Υποδεικνύει ότι έχει απενεργοποιηθεί η λειτουργία του τηλεχειριστηρίου από τον κύριο ελεγκτή.

Δείκτης ανενεργού χρονοδιακόπτη

Υποδεικνύει ο χρονοδιακόπτης είναι ανενεργός.

Ρύθμιση θερμοκρασίας

Εμφανίζει την προοριζόμενη θερμοκρασία.

Έλεγχος

Πλήκτρα ρύθμισης θερμοκρασίας

- ▽ Κάτω
- △ Πάνω

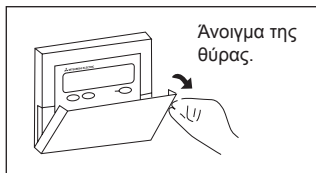
Πλήκτρο μενού χρονοδιακόπτη (Οθόνη/πλήκτρο ρύθμισης χρονοδιακόπτη)

Πλήκτρο λειτουργίας (πλήκτρο επιστροφής)

Πλήκτρα ρύθμισης χρόνου

- ▽ Πίσω
- △ Μπροστά

Πλήκτρο χρονοδιακόπτη έναρξης/διακοπής λειτουργίας (πλήκτρο ρύθμισης ημέρας)



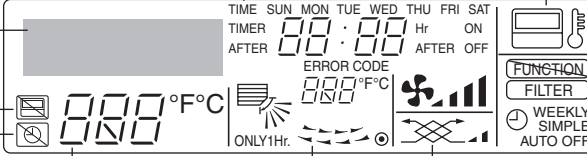
Ημέρα της εβδομάδας

Εμφανίζει την τρέχουσα ημέρα της εβδομάδας.

Ένδειξη χρόνου/χρονοδιακόπτη

Εμφανίζει τον τρέχοντα χρόνο, εκτός αν είναι ρυθμισμένος ο απλός χρονοδιακόπτης ή ο χρονοδιακόπτης αυτόματης διακοπής. Αν είναι ρυθμισμένος ο απλός χρονοδιακόπτης ή ο χρονοδιακόπτης αυτόματης διακοπής, εμφανίζει το χρόνο που απομένει.

MITSUBISHI ELECTRIC



Δείκτης ανοδικής/καθοδικής κατεύθυνσης ροής αέρα

Η ένδειξη \ δείχνει την κατεύθυνση της εξερχόμενης ροής αέρα.

Δείκτης λειτουργίας μόνο για μία ώρα

Εμφανίζεται αν είναι ρυθμισμένη η ροή αέρα σε ήπια ένταση και προς τα κάτω κατά τη διάρκεια των καταστάσεων λειτουργίας COOL ή DRY. (Η λειτουργία διαφέρει ανάλογα με το μοντέλο). Η ένδειξη σβήνει μετά από μία ώρα και τότε αλλάζει και η κατεύθυνση της ροής αέρα.

Ένδειξη θερμοκρασίας περιβάλλοντος

Εμφανίζει τη θερμοκρασία περιβάλλοντος. Η περιοχή τιμών θερμοκρασίας περιβάλλοντος είναι 8-39 °C. Η ένδειξη αναβοσβήνει, εάν η θερμοκρασία είναι χαμηλότερη από 8 °C ή 39 °C και άνω.

Ένδειξη κινητής γρίλιας

Υποδεικνύει τη δράση της κινητής γρίλιας. Δεν εμφανίζεται αν η γρίλια είναι ακίνητη.

● (Δείκτης ενεργούς ισχύος)

Υποδεικνύει ότι η ισχύς είναι ενεργή.

Δείκτης αισθητήρα

Εμφανίζεται όταν χρησιμοποιείται ο αισθητήρας του τηλεχειριστηρίου.

Δείκτης κλειδώματος

Υποδεικνύει ότι έχουν κλειδωθεί τα πλήκτρα του τηλεχειριστηρίου.

Δείκτης καθαρισμού φίλτρου

Ανάβει όταν πρέπει να καθαρίσετε το φίλτρο.

Δείκτης χρονοδιακόπτη

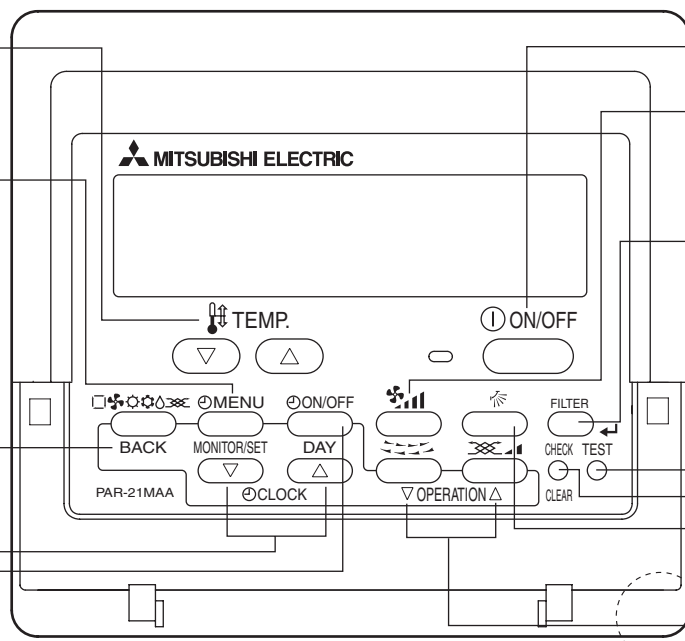
Ανάβει η ένδειξη αν ρυθμιστεί ο αντίστοιχος χρονοδιακόπτης.

Δείκτης ταχύτητας ανεμιστήρα

Εμφανίζει την επιλεγμένη ταχύτητα ανεμιστήρα.

Δείκτης εξαερισμού

Εμφανίζεται όταν η μονάδα βρίσκεται σε κατάσταση εξαερισμού.



Πλήκτρο έναρξης/ διακοπής

Πλήκτρο ταχύτητας ανεμιστήρα

Πλήκτρο φίλτρου (πλήκτρο ←)

Πλήκτρο δοκιμής

Πλήκτρο ελέγχου (πλήκτρο διαγραφής)

Πλήκτρο ανοδικής/ καθοδικής ροής αέρα

Πλήκτρο κινητής γρίλιας (Πλήκτρο λειτουργίας ▽)

Πλήκτρο εξαερισμού (πλήκτρο λειτουργίας △)

Προς επόμενο αριθμό λειτουργίας.

Ενσωματωμένος αισθητήρας θερμοκρασίας

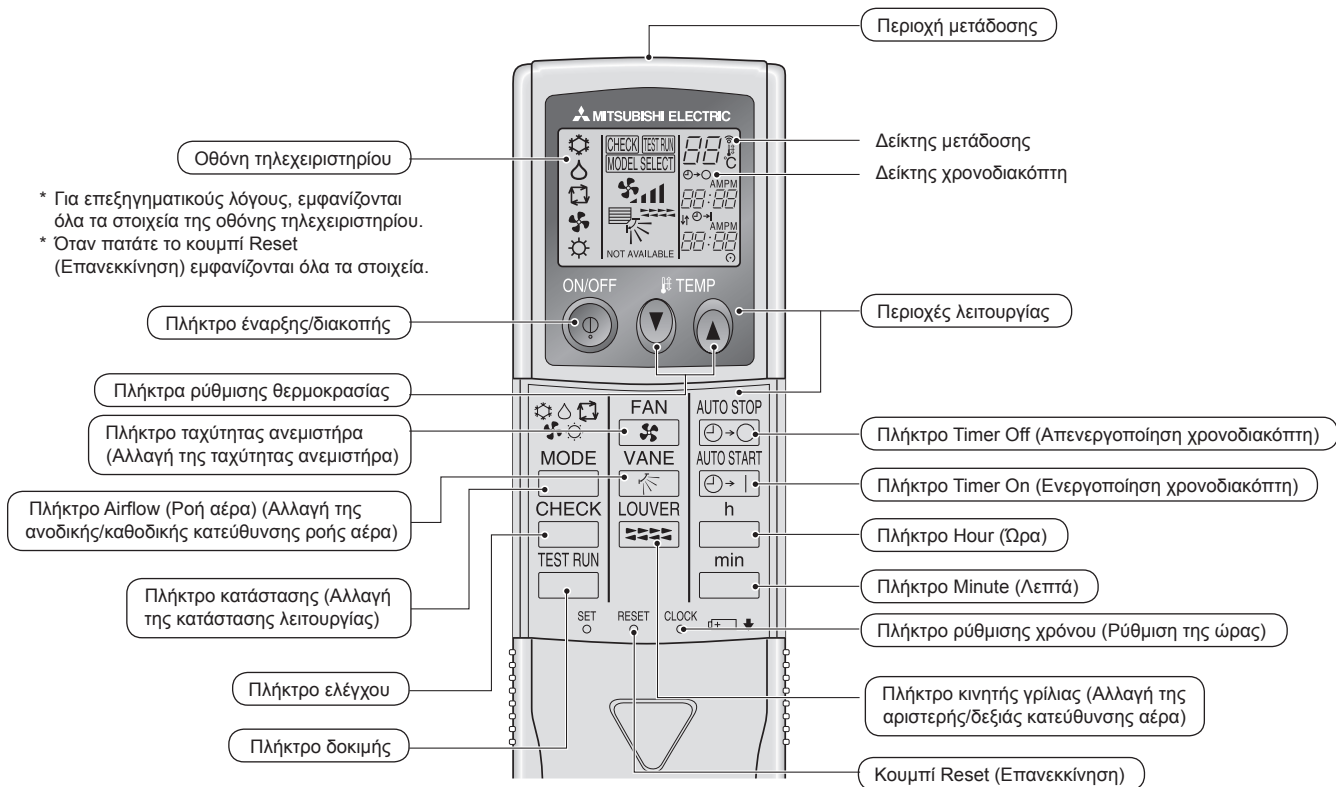
Παρατήρηση:

- Μήνυμα "ΠΑΡΑΚΑΛΩ ΠΕΡΙΜΕΝΕΤΕ"
Το μήνυμα αυτό εμφανίζεται για περίπου 3 λεπτά κατά την έναρξη τροφοδοσίας της εσωτερικής μονάδας με ηλεκτρική ενέργεια.
- Η οθόνη κατάστασης λειτουργίας αναβοσβήνει
Όταν είναι συνδεδεμένες περισσότερες από μία εσωτερικές μονάδες σε μία εξωτερική μονάδα και η κατάσταση λειτουργίας που έχει επιλεγεί για μια εσωτερική μονάδα διαφέρει από την τρέχουσα κατάσταση λειτουργίας μιας άλλης εσωτερικής μονάδας, η οθόνη κατάστασης λειτουργίας αναβοσβήνει. Επιλέξτε την ίδια κατάσταση λειτουργίας με την άλλη εσωτερική μονάδα.
- Μήνυμα "ΜΗ ΔΙΑΘΕΣΙΜΗ ΛΕΙΤΟΥΡΓΙΑ"
Το μήνυμα αυτό εμφανίζεται, εάν πατήσετε ένα κουμπί για λειτουργία την οποία δεν διαθέτει η εσωτερική μονάδα.
Σε περίπτωση που χρησιμοποιείται ένα τηλεχειριστήριο για ταυτόχρονο χειρισμό πολλών εσωτερικών μονάδων, οι οποίες είναι διαφορετικά μοντέλα, αυτό το μήνυμα δεν θα εμφανιστεί, αν οποιαδήποτε από τις εσωτερικές μονάδες διαθέτει αυτή τη λειτουργία.
- Εμφάνιση θερμοκρασίας περιβάλλοντος
Μπορείτε να επιλέξετε τους αισθητήρες θερμοκρασίας της εσωτερικής μονάδας, ή τον αισθητήρα θερμοκρασίας του τηλεχειριστηρίου για τη μέτρηση της θερμοκρασίας περιβάλλοντος. Ως αρχική ρύθμιση έχουν επιλεγεί οι αισθητήρες θερμοκρασίας στην εσωτερική μονάδα. Όταν για τη μέτρηση της θερμοκρασίας περιβάλλοντος έχουν επιλεγεί οι αισθητήρες θερμοκρασίας που βρίσκονται στην εσωτερική μονάδα, η μέτρηση της θερμοκρασίας περιβάλλοντος που καταγράφει η κύρια εσωτερική μονάδα εμφανίζεται στο τηλεχειριστήριο που χρησιμοποιείται για τη λειτουργία πολλαπλών εσωτερικών μονάδων.

GR

2. Ονόματα μερών

■ για ασύρματο τηλεχειριστήριο (προαιρετικών μερών)

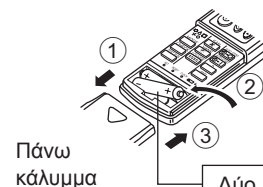


- * Για επεξηγηματικούς λόγους, εμφανίζονται όλα τα στοιχεία της οθόνης τηλεχειριστηρίου.
- * Όταν πατάτε το κουμπί Reset (Επανεκκίνηση) εμφανίζονται όλα τα στοιχεία.

- Όταν χρησιμοποιείτε το ασύρματο τηλεχειριστήριο, φροντίστε να το έχετε στραμμένο προς την κατεύθυνση του δέκτη της εσωτερικής μονάδας.
- Εάν χρησιμοποιήσετε το τηλεχειριστήριο εντός 2 λεπτών μετά την παροχή ρεύματος στην εσωτερική μονάδα, η εσωτερική μονάδα ενδέχεται να ηχήσει δύο φορές λόγω του ότι εκτελεί τον αρχικό αυτόματο έλεγχο.
- Η εσωτερική μονάδα ηχεί για να επιβεβαιωθεί ότι το σήμα που εκπέμπεται από το τηλεχειριστήριο έχει ληφθεί. Η λήψη των σημάτων είναι εφικτή από τη μονάδα σε απόσταση έως και περίπου 7 μέτρων σε ευθεία από την εσωτερική μονάδα και σε ζώνη 45° αριστερά και δεξιά από τη μονάδα. Ωστόσο, η ικανότητα της μονάδας να λαμβάνει σήματα μπορεί να επηρεαστεί από φωτισμό, όπως μια πηγή φθορίζοντος ή ισχυρού φωτός.
- Εάν αναβοσβήνει η λυχνία λειτουργίας κοντά στο δέκτη της εσωτερικής μονάδας, πρέπει να ελέγξετε τη μονάδα. Απευθυνθείτε στον αντιπρόσωπο της περιοχής σας για επισκευή.
- Να χειρίζεστε με προσοχή το τηλεχειριστήριο! Φροντίστε να μην σας πέσει ή να μην υποστεί ισχυρούς κραδασμούς. Επίσης, να μην το βρέχετε, ούτε να το αφήνετε σε χώρο με υψηλή υγρασία.
- Για να αποφύγετε το ενδεχόμενο να τοποθετήσετε το τηλεχειριστήριο σε σημείο όπου μπορεί να υποστεί βλάβη, εγκαταστήστε τη βάση στήριξης που παρέχεται μαζί με αυτό σε έναν τοίχο και να τοποθετείτε πάντοτε εκεί το τηλεχειριστήριο μετά τη χρήση.

Τοποθέτηση/αντικατάσταση μπαταριών

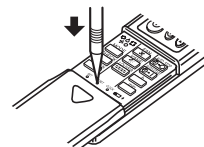
1. Αφαιρέστε το πάνω κάλυμμα, τοποθετήστε δύο μπαταρίες AAA και, στη συνέχεια, τοποθετήστε το πάνω κάλυμμα στη θέση του.



Πάνω κάλυμμα

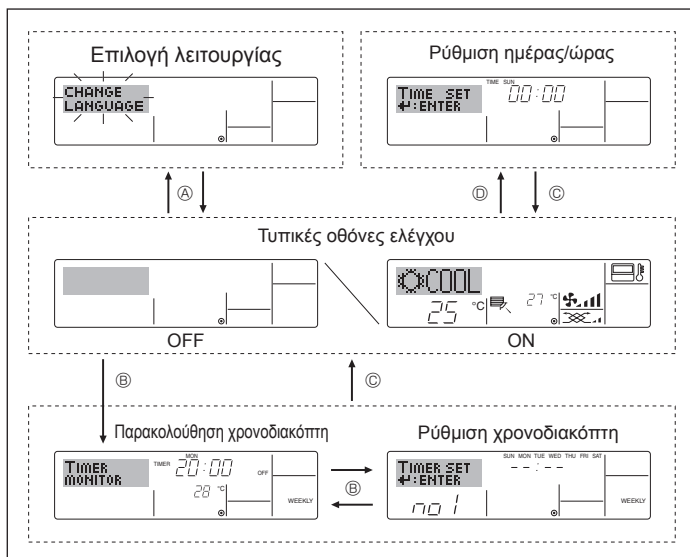
Δύο μπαταρίες AAA
Τοποθετήστε πρώτα τον αρνητικό (-) πόλο της κάθε μπαταρίας. Τοποθετήστε τις μπαταρίες με τη σωστή κατεύθυνση (+, -)!

2. Πατήστε το κουμπί Reset (Επανεκκίνηση).



Πατήστε το κουμπί Reset (Επανεκκίνηση) με ένα αντικείμενο με στενό άκρο.

3. Διαμόρφωση οθόνης



<Είδη οθόνης>

Η γλώσσα ενδείξεων δεν μπορεί να ρυθμιστεί στα Ελληνικά. Επομένως, στις ενδείξεις του παρόντος εγχειριδίου εμφανίζεται η γλώσσα αρχικής ρύθμισης, δηλ. τα Αγγλικά.

- **Επιλογή λειτουργίας:**
Ρυθμίστε τις λειτουργίες και τις περιοχές τιμών που διατίθενται στο τηλεχειριστήριο (λειτουργίες χρονοδιακόπτη, περιορισμοί λειτουργίας, κ.λπ.)
- **Ρύθμιση ημέρας/ώρας:**
Ρυθμίστε την τρέχουσα ημέρα της εβδομάδας ή την ώρα.
- **Τυπικές οθόνες ελέγχου:**
Προβάλετε και ρυθμίστε την κατάσταση του συστήματος κλιματισμού
- **Παρακολούθηση χρονοδιακόπτη:**
Προβάλετε τον τρέχοντα ρυθμισμένο χρονοδιακόπτη (εβδομαδιαίος χρονοδιακόπτης, απλός χρονοδιακόπτης ή χρονοδιακόπτης αυτόματης διακοπής)
- **Ρύθμιση χρονοδιακόπτη:**
Ρυθμίστε τη λειτουργία οποιουδήποτε χρονοδιακόπτη (εβδομαδιαίος χρονοδιακόπτης, απλός χρονοδιακόπτης ή χρονοδιακόπτης αυτόματης διακοπής).

<Πώς να αλλάξετε την οθόνη>

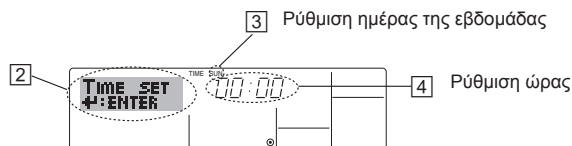
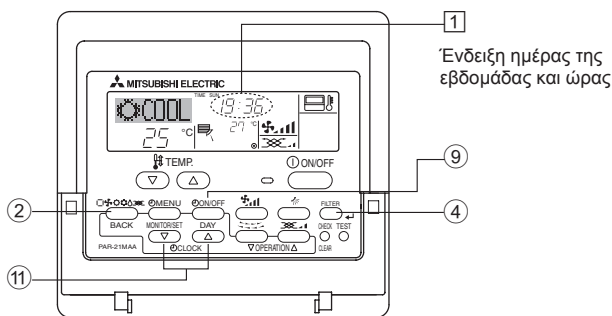
Για μετάβαση στο Ⓐ: Πιέστε παρατεταμένα τα πλήκτρα λειτουργίας και χρονοδιακόπτη έναρξης/διακοπής λειτουργίας για 2 δευτερόλεπτα.

Για μετάβαση στο Ⓑ: Πιέστε το πλήκτρο μενού χρονοδιακόπτη.

Για μετάβαση στο Ⓒ: Πιέστε το πλήκτρο λειτουργίας (επιστροφής).

Για μετάβαση στο Ⓓ: Πιέστε οποιοδήποτε από τα πλήκτρα ρύθμισης χρόνου (∇ ή Δ).

4. Ρύθμιση της ημέρας της εβδομάδας και της ώρας

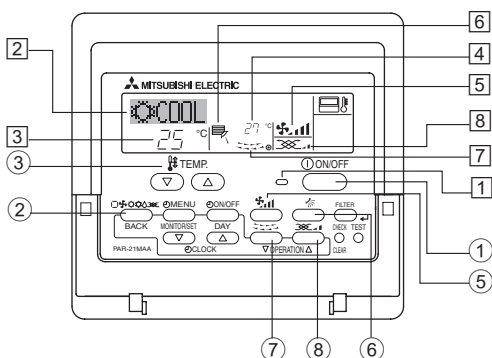


1. Πιέστε το πλήκτρο ρύθμισης χρόνου ∇ ή Δ Ⓐ για να εμφανιστεί η ένδειξη 2.
2. Πιέστε το πλήκτρο χρονοδιακόπτη έναρξης/διακοπής λειτουργίας (ρύθμισης ημέρας) Ⓑ για να ρυθμίσετε την ημέρα.
* Με κάθε πάτημα του πλήκτρου, προχωράει η ημέρα που εμφανίζεται στο 3: Sun → Mon → ... → Fri → Sat.
3. Πιέστε το κατάλληλο πλήκτρο ρύθμισης χρόνου Ⓒ, όπως απαιτείται, για να ρυθμίσετε την ώρα.
* Καθώς πιέζετε παρατεταμένα το πλήκτρο, η ώρα (στο 4) θα αυξάνεται σταδιακά πρώτα σε βήματα του ενός λεπτού, κατόπιν σε βήματα των δέκα λεπτών και έπειτα σε βήματα της μίας ώρας.
4. Αφού κάνετε τις κατάλληλες ρυθμίσεις στα βήματα 2 και 3, πιέστε το πλήκτρο φίλτρου ← Ⓓ για να κλειδώσετε τις τιμές.

Παρατήρηση:

Δεν θα εμφανιστεί η ημέρα και η ώρα αν έχει απενεργοποιηθεί η χρήση ρολογιού από την επιλογή λειτουργίας.

5. Λειτουργία



5.1. ON (Ενεργοποίηση)/OFF (Απενεργοποίηση)

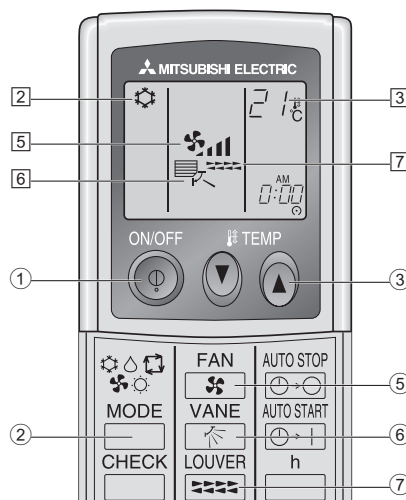
<Για να ξεκινήσετε τη λειτουργία>

- Πιέστε το πλήκτρο έναρξης/διακοπής λειτουργίας 1.
 - Ανάβουν η λυχνία λειτουργίας 2 και η περιοχή ενδείξεων.

Παρατήρηση:

- Όταν γίνει επανεκκίνηση της μονάδας, οι αρχικές ρυθμίσεις έχουν ως εξής:

		Ρυθμίσεις τηλεχειριστηρίου	
Κατάσταση		Τελευταία λειτουργία	
Ρύθμιση θερμοκρασίας		Τελευταία ρύθμιση θερμοκρασίας	
Ταχύτητα ανεμιστήρα		Τελευταία ρύθμιση ταχύτητας ανεμιστήρα	
Ανοδική/Καθοδική ροή αέρα	Κατάσταση	COOL ή DRY	Τελευταία ρύθμιση
		HEAT	Τελευταία ρύθμιση
		FAN	Τελευταία ρύθμιση



<Για να διακόψετε τη λειτουργία>

- Πιέστε ξανά το πλήκτρο έναρξης/διακοπής λειτουργίας ON/OFF 1.
 - Σβήνουν η λυχνία λειτουργίας 2 και η περιοχή ενδείξεων.

Παρατήρηση:

Ακόμη κι αν πατήσετε το διακόπτη λειτουργίας με την ένδειξη ON/OFF για ν' ανοίξετε πάλι τη συσκευή αμέσως μόλις την κλείσατε, δεν πρόκειται να τεθεί σε λειτουργία πριν περάσουν τρία λεπτά. Αυτό συμβαίνει για να προστατευτούν τα εσωτερικά μέρη της συσκευής από τυχόν βλάβες.

5. Λειτουργία

<Για να διακόψετε τη λειτουργία>

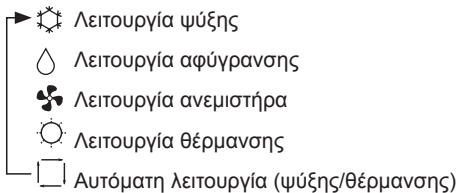
- Πιέστε ξανά το πλήκτρο έναρξης/διακοπής λειτουργίας ①.
 - Σβήνουν η λυχνία λειτουργίας ② και η περιοχή ένδειξης.

Παρατήρηση:

Ακόμη κι αν πατήσετε το διακόπτη λειτουργίας με την ένδειξη ON/OFF για ν'ανοίξετε πάλι τη συσκευή αμέσως μόλις την κλείσατε, δεν πρόκειται να τεθεί σε λειτουργία πριν περάσουν τρία λεπτά. Αυτό συμβαίνει για να προστατευτούν τα εσωτερικά μέρη της συσκευής από τυχόν βλάβες.

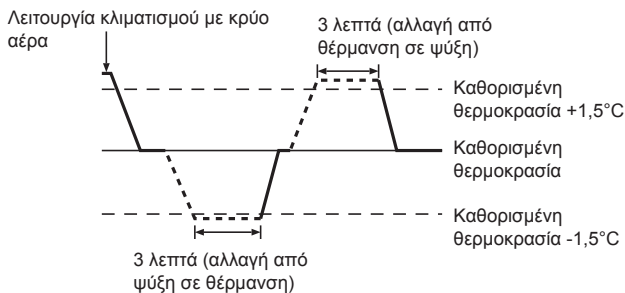
5.2. Επιλογή λειτουργίας

- Πατήστε το κουμπί επιλογής λειτουργίας (☐☼☼☼☼) ② και επιλέξτε τον τρόπο λειτουργίας ③.



Αυτόματη λειτουργία

- Βάσει μιας καθορισμένης θερμοκρασίας, η λειτουργία ψύξης ξεκινά όταν η θερμοκρασία περιβάλλοντος είναι υπερβολικά υψηλή και η λειτουργία θέρμανσης ξεκινά όταν η θερμοκρασία περιβάλλοντος είναι πολύ χαμηλή.
- Κατά τη διάρκεια της αυτόματης λειτουργίας, εάν η θερμοκρασία περιβάλλοντος αλλάξει και παραμείνει στους 1,5 °C ή περισσότερο πάνω από την καθορισμένη θερμοκρασία για 3 λεπτά, το κλιματιστικό αλλάζει σε λειτουργία ψύξης. Κατά τον ίδιο τρόπο, εάν η θερμοκρασία περιβάλλοντος παραμείνει στους 1,5 °C ή περισσότερο κάτω από την καθορισμένη θερμοκρασία για 3 λεπτά, το κλιματιστικό αλλάζει σε κατάσταση λειτουργίας θέρμανσης.



- Λόγω του ότι το κλιματιστικό ρυθμίζει αυτόματα τη θερμοκρασία περιβάλλοντος για να διατηρήσει μια καθορισμένη αποτελεσματική θερμοκρασία, η λειτουργία ψύξης εκτελείται μερικούς βαθμούς υψηλότερα και η λειτουργία θέρμανσης μερικούς βαθμούς χαμηλότερα σε σχέση με την καθορισμένη θερμοκρασία περιβάλλοντος, εφόσον επιτευχθεί η θερμοκρασία (αυτόματη λειτουργία εξοικονόμησης ενέργειας).

5.3. Ρύθμιση θερμοκρασίας

► Για να χαμηλώσετε τη θερμοκρασία δωματίου:

Πατήστε το κουμπί με την ένδειξη ③ για να τοποθετήσετε τη θερμοκρασία που θέλετε.

Η θερμοκρασία που έχετε επιλέξει εμφανίζεται ③.

► Για να αυξήσετε τη θερμοκρασία δωματίου:

Πατήστε το κουμπί με την ένδειξη ④ για να τοποθετήσετε τη θερμοκρασία που θέλετε.

Η θερμοκρασία που έχετε επιλέξει εμφανίζεται ③.

- Οι κλίμακες θερμοκρασιών που διατίθενται είναι:
Κρύος & Στεγνός αέρας: 19 - 30 °C
Θερμός αέρας: 17 - 28 °C
Αυτόματη λειτουργία: 19 - 28 °C
- Στην οθόνη αναβοσβήνει μία από τις δύο ενδείξεις 8 °C ή 39 °C για να σας πληροφορήσει εάν η θερμοκρασία του χώρου είναι χαμηλότερη ή υψηλότερη από την ένδειξη που εμφανίζεται στην οθόνη.

5.4. Ρύθμιση ταχύτητας ανεμιστήρα

- Ενώ το σύστημα λειτουργεί, πιέστε το πλήκτρο ταχύτητας ανεμιστήρα ⑤ όσες φορές απαιτείται.
 - Με κάθε πάτημα, αλλάζει η ένταση. Η τρέχουσα επιλεγμένη ταχύτητα εμφανίζεται στο ⑤.
 - Η ακολουθία αλλαγής και οι διαθέσιμες ρυθμίσεις έχουν ως εξής.

TACHYTHTA ANEMISTHRA	Ένδειξη
Μοντέλο 2 ταχυτήτων	Ταχύτητα 1 → Ταχύτητα 2
Μοντέλο 3 ταχυτήτων	Ταχύτητα 1 → Ταχύτητα 2 → Ταχύτητα 3
4 ταχυτήτων + Αυτό*	Ταχύτητα 1 → Ταχύτητα 2 → Ταχύτητα 3 → Ταχύτητα 4 → Αυτό

* Για το τηλεχειριστήριο MA μόνο.

Η αυτόματη ρύθμιση της ταχύτητας του ανεμιστήρα είναι απαραίτητη για το ασύρματο τηλεχειριστήριο.

Παρατήρηση:

- Ο αριθμός των διαθέσιμων ταχυτήτων ανεμιστήρα εξαρτάται από το είδος της μονάδας που είναι συνδεδεμένη. Σημειώσατε επίσης ότι μερικές μονάδες δεν διαθέτουν ρύθμιση αυτόματης λειτουργίας.
- Η πραγματική ταχύτητα ανεμιστήρα που παράγεται από τη μονάδα θα διαφέρει από την ταχύτητα που εμφανίζεται στην ένδειξη του τηλεχειριστηρίου στις παρακάτω περιπτώσεις:

1. Όταν στην ένδειξη εμφανίζεται STAND BY ή DEFROST.
2. Όταν η θερμοκρασία του εναλλάκτη θερμότητας είναι χαμηλή στην κατάσταση λειτουργία θέρμανσης. (π.χ. αμέσως μετά την έναρξη της λειτουργίας θέρμανσης)
3. Σε κατάσταση HEAT, όταν η θερμοκρασία δωματίου είναι υψηλότερη από τη ρύθμιση θερμοκρασίας.
4. Όταν η μονάδα βρίσκεται σε κατάσταση DRY.

- Αυτόματη ρύθμιση ταχύτητας ανεμιστήρα (Για ασύρματο τηλεχειριστήριο) Είναι απαραίτητο να οριστεί μόνο για ασύρματο τηλεχειριστήριο όταν δεν έχει οριστεί ως προεπιλεγμένη ρύθμιση η αυτόματη ταχύτητα ανεμιστήρα.

Δεν είναι απαραίτητο να οριστεί για ενσύρματο τηλεχειριστήριο με την αυτόματη ταχύτητα ανεμιστήρα στην προεπιλεγμένη ρύθμιση.

- ① Πατήστε το κουμπί SET (Ρύθμιση) με ένα αιχμηρό αντικείμενο. Εκτελέστε τη λειτουργία όταν η οθόνη του τηλεχειριστηρίου είναι απενεργοποιημένη.

MODEL SELECT αναβοσβήνει και ο Ar. Μοντέλου ανάβει ④.

- ② Πατήστε το ②+③ κουμπί AUTO STOP (Αυτόματη Διακοπή).

⑤ αναβοσβήνει και ο Ar. ρύθμισης ανάβει ⑤.

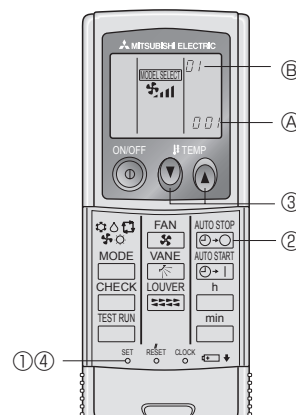
- (Ρύθμιση Ar.01: χωρίς αυτόματη ταχύτητα ανεμιστήρα)

- ③ Πατήστε τα προσωρινά ⑥+⑦ κουμπιά για να κάνετε τη ρύθμιση Ar. 02. (Ρύθμιση Ar.02: με αυτόματη ταχύτητα ανεμιστήρα)

Αν κάνατε λάθος στη λειτουργία, πατήστε το κουμπί με την ένδειξη ON/OFF ② και εκτελέστε ξανά τη λειτουργία από το βήμα ②.

- ④ Πατήστε το κουμπί SET (Ρύθμιση) με ένα αιχμηρό αντικείμενο.

MODEL SELECT και ο Ar. Μοντέλου ανάβουν για 3 δευτερόλεπτα, έπειτα σβήνουν.

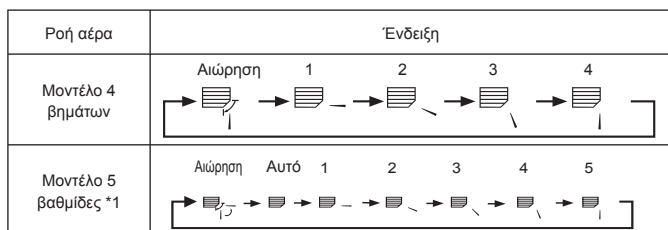


5. Λειτουργία

5.5. Ρύθμιση ανοδικής/καθοδικής κατεύθυνσης ροής αέρα <Για να αλλάξετε την ανοδική/καθοδική κατεύθυνση της ροής αέρα>

■ Ενώ λειτουργεί η μονάδα, πιέστε το πλήκτρο ανοδικής/καθοδικής ροής αέρα ⑥ όσες φορές απαιτείται.

- Με κάθε πάτημα, αλλάζει η κατεύθυνση. Η τρέχουσα κατεύθυνση εμφανίζεται στο ⑥.
- Η ακολουθία αλλαγής και οι διαθέσιμες ρυθμίσεις έχουν ως εξής.



* Σημειώσατε ότι κατά τη διάρκεια της λειτουργίας αιώρησης, ο δείκτης κατεύθυνσης στην οθόνη δεν αλλάζει συγχρονισμένα με τα πτερύγια κατεύθυνσης στη συσκευή.

* Μερικά μοντέλα δεν υποστηρίζουν ρυθμίσεις κατεύθυνσης.

*1 Μόνο για το τηλεχειριστήριο MA, άλλη ένδειξη τηλεχειριστηρίου ίδια όπως το μοντέλο των 4 βημάτων.

*2 Ρύθμιση της κατεύθυνσης ροής αέρα <Αυτό>

COOL/FAN/DRY : Ρύθμιση 1 (Οριζόντια), HEAT : Ρύθμιση 5 (Κατακόρυφη 5)

Παρατήρηση:

- Οι διαθέσιμες κατευθύνσεις εξαρτώνται από το είδος της μονάδας που είναι συνδεδεμένη. Σημειώσατε επίσης ότι μερικές μονάδες δεν διαθέτουν ρύθμιση αυτόματης λειτουργίας.
- Η πραγματική κατεύθυνση αέρα θα διαφέρει από την κατεύθυνση που υποδεικνύεται στην ένδειξη του τηλεχειριστηρίου στις παρακάτω περιπτώσεις:
 1. Ενώ στην ένδειξη εμφανίζεται STAND BY ή DEFROST.
 2. Αμέσως μετά την έναρξη της κατάστασης HEAT (ενώ το σύστημα βρίσκεται σε αναμονή για να ισχύσει η αλλαγή της κατάστασης).
 3. Σε κατάσταση HEAT, όταν η θερμοκρασία δωματίου είναι υψηλότερη από τη ρύθμιση θερμοκρασίας.

<[Μη αυτόματη λειτουργία] Για αλλαγή της κατεύθυνσης του αέρα προς τα αριστερά/δεξιά>

* Κινητή γρίλια Το πλήκτρο της κινητής γρίλιας ⑦ δεν μπορεί να χρησιμοποιηθεί.

■ Μοντέλο PKFY-P•VKM-E

- Σταματήσατε τη λειτουργία της μονάδας, πιάσατε το μοχλό των πτερυγίων κατεύθυνσης του αέρα και ρυθμίσατε τα στη θέση που θέλετε.

* Μην τοποθετείτε τα πτερύγια με κατεύθυνση προς το εσωτερικό της μονάδας όταν βρίσκεται σε λειτουργία ψύξης ή αφύγρανσης, γιατί υπάρχει κίνδυνος δημιουργίας υδρατμών και διαρροής νερού.



⚠ Προσοχή:

Για την αποφυγή πτώσης, κατά τη ρύθμιση της μονάδας βεβαιωθείτε ότι η επιφάνεια στην οποία βρίσκεστε είναι σταθερή.

5.6. Ventilation (Εξαερισμός)

▶ Για τον συνδυασμό LOSSNAY

5.6.1. για ενσύρματο τηλεχειριστήριο

• Για να λειτουργεί ο εξαεριστήρας μαζί με την εσωτερική μονάδα:

■ Πιέστε το πλήκτρο έναρξης/διακοπής λειτουργίας ①.

- Εμφανίζεται στην οθόνη ο δείκτης εξαερισμού (στο ⑧). Τώρα, ο εξαεριστήρας θα λειτουργεί αυτόματα κάθε φορά που λειτουργεί η εσωτερική μονάδα.

• Για να λειτουργεί ο εξαεριστήρας μόνο όταν είναι ανενεργή η εσωτερική μονάδα:

■ Πιέστε το πλήκτρο εξαερισμού ② ενώ είναι ανενεργή η εσωτερική μονάδα.

- Ανάβουν η λυχνία λειτουργίας (στο ①) και ο δείκτης εξαερισμού (στο ⑧).

• Για να αλλάξετε την ένταση του εξαεριστήρα:

■ Πιέστε το πλήκτρο εξαερισμού ③, όπως απαιτείται.

- Με κάθε πάτημα, αλλάζει η ρύθμιση όπως παρουσιάζεται παρακάτω.



Παρατήρηση:

- Με μερικές διαμορφώσεις μοντέλων, ενδεχομένως να μην ενεργοποιηθεί ο ανεμιστήρας στην εσωτερική μονάδα ακόμη κι όταν έχετε ρυθμίσει τον εξαεριστήρα να λειτουργεί ανεξάρτητα.

6. Timer (Χρονοδιακόπτης)

6.1. για ενσύρματο τηλεχειριστήριο

Μπορείτε να χρησιμοποιήσετε την επιλογή λειτουργίας για να επιλέξετε έναν από τους τρεις τύπους χρονοδιακόπτη για χρήση: ① Εβδομαδιαίος χρονοδιακόπτης, ② Απλός χρονοδιακόπτης ή ③ Χρονοδιακόπτης αυτόματης διακοπής.

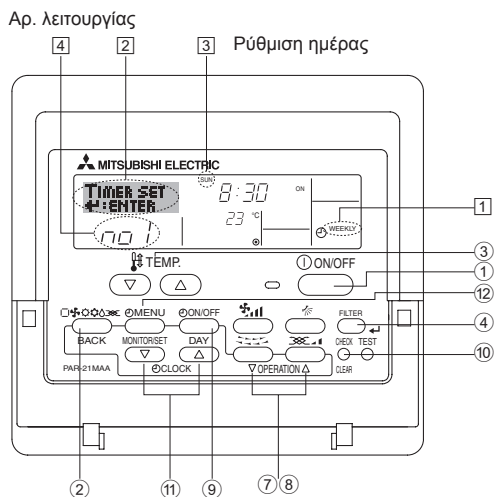
6.1.1. Weekly Timer (Εβδομαδιαίος Χρονοδιακόπτης)

- Μπορείτε να χρησιμοποιήσετε τον εβδομαδιαίο χρονοδιακόπτη για να ρυθμίσετε έως οκτώ λειτουργίες για κάθε ημέρα της εβδομάδας.
 - Κάθε λειτουργία ενδοχομένου να αποτελείται από οποιαδήποτε από τα εξής: Χρόνος έναρξης/διακοπής λειτουργίας μαζί με ρύθμιση θερμοκρασίας ή μόνο χρόνος έναρξης/διακοπής λειτουργίας ή μόνο ρύθμιση θερμοκρασίας.
 - Όταν ο τρέχων χρόνος φτάσει το χρόνο που έχει ρυθμιστεί στο χρονοδιακόπτη αυτόν, το κλιματιστικό εκτελεί την ενέργεια που έχει ρυθμιστεί στο χρονοδιακόπτη.
- Η ανάλυση ρύθμισης χρόνου για το χρονοδιακόπτη αυτό είναι 1 λεπτό.

Παρατήρηση:

- *1. Δεν είναι δυνατό να χρησιμοποιηθούν ταυτόχρονα: εβδομαδιαίος χρονοδιακόπτης/απλός χρονοδιακόπτης/χρονοδιακόπτης αυτόματης διακοπής.
- *2. Ο εβδομαδιαίος χρονοδιακόπτης δεν θα λειτουργεί όταν ισχύει μία από τις εξής συνθήκες:

Ο χρονοδιακόπτης είναι ανενεργός, το σύστημα βρίσκεται σε αντικανονική κατάσταση, βρίσκεται σε εξέλιξη δοκιμή, το τηλεχειριστήριο πραγματοποιεί αυτο-έλεγχο ή έλεγχο τηλεχειριστηρίου, ο χρήστης βρίσκεται στη διαδικασία ρύθμισης μιας λειτουργίας, ο χρήστης βρίσκεται στη διαδικασία ρύθμισης του χρονοδιακόπτη, ο χρήστης βρίσκεται στη διαδικασία ρύθμισης της τρέχουσας ημέρας της εβδομάδας ή της ώρας, το σύστημα ελέγχεται κεντρικά. (Ειδικότερα, το σύστημα δεν θα πραγματοποιεί λειτουργίες [έναρξη λειτουργίας μονάδας, διακοπής λειτουργίας μονάδας ή ρύθμιση θερμοκρασίας] που είναι απενεργοποιημένες κατά τη διάρκεια των συνθηκών αυτών).



<Πώς να ρυθμίσετε τον εβδομαδιαίο χρονοδιακόπτη>

1. Βεβαιωθείτε ότι βρίσκεστε σε τυπική οθόνη ελέγχου και εμφανίζεται ο δείκτης εβδομαδιαίου χρονοδιακόπτη [] στην ένδειξη.
2. Πιέστε το πλήκτρο μενού χρονοδιακόπτη [] για να εμφανιστεί το Set Up στην οθόνη (στο [2]). (Σημειώσατε ότι, με κάθε πάτημα του πλήκτρου, αλλάζει η ένδειξη μεταξύ Set Up και Monitor).
3. Πιέστε το πλήκτρο χρονοδιακόπτη έναρξης/διακοπής λειτουργίας (ρύθμιση ημέρας) [9] για να ρυθμίσετε την ημέρα. Με κάθε πάτημα του πλήκτρου, η ένδειξη στο [3] προχωράει στην επόμενη ρύθμιση σύμφωνα με την εξής ακολουθία: "Sun Mon Tues Wed Thurs Fri Sat" → "Sun" → ... → "Fri" → "Sat" → "Sun Mon Tues Wed Thurs Fri Sat"...
4. Πιέστε το πλήκτρο λειτουργίας [7] ή [8] (7 ή 8), όπως απαιτείται, για να επιλέξετε τον κατάλληλο αριθμό λειτουργίας (1 έως 8) [4].
 - * Με τις καταχωρίσεις σας στα βήματα 3 και 4 θα επιλέξετε ένα από τα κελιά του πίνακα που απεικονίζεται παρακάτω.
 - (Η ένδειξη τηλεχειριστηρίου στα αριστερά παρουσιάζει τον τρόπο που θα εμφανιστεί η ένδειξη αν ρυθμίσετε τη λειτουργία 1 στις τιμές που υποδεικνύονται παρακάτω για την Κυριακή).

Πίνακας ρύθμισης

Αρ. λειτουργίας	Κυριακή	Δευτέρα	...	Σάββατο
Αρ. 1	• 8:30 • ON • 23 °C			
Αρ. 2	• 10:00 • OFF	• 10:00 • OFF	• 10:00 • OFF	• 10:00 • OFF
...				
Αρ. 8				

<Ρυθμίσεις λειτουργίας 1 για την Κυριακή>
Έναρξη κλιματιστικού στις 8:30, με τη θερμοκρασία ρυθμιζόμενη στους 23 °C.

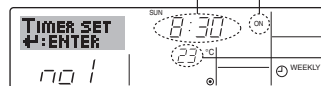
<Ρυθμίσεις λειτουργίας 2 για κάθε ημέρα>
Διακοπή της λειτουργίας του κλιματιστικού στις 10:00.

Παρατήρηση:

Αν ρυθμίσετε την ημέρα σε "Sun Mon Tues Wed Thurs Fri Sat", μπορείτε να ρυθμίσετε να πραγματοποιηθεί η ίδια λειτουργία την ίδια ώρα κάθε ημέρα. (Παράδειγμα: Η λειτουργία 2 παραπάνω, η οποία είναι η ίδια για όλες τις ημέρες της εβδομάδας).

<Ρύθμιση του εβδομαδιαίου χρονοδιακόπτη>

Εμφανίζει τη ρύθμιση χρόνου [5] Εμφανίζει την επιλεγμένη λειτουργία (έναρξη ή διακοπή λειτουργίας) [6] * Δεν εμφανίζεται αν δεν είναι ρυθμισμένη η λειτουργία.



Εμφανίζει τη ρύθμιση θερμοκρασίας [7] * Δεν εμφανίζεται αν δεν είναι ρυθμισμένη η θερμοκρασία.

5. Πιέστε το κατάλληλο πλήκτρο ρύθμισης χρόνου [5], όπως απαιτείται, για να ρυθμίσετε τον επιθυμητό χρόνο (στο [5]).
 - * Καθώς πιέζετε το πλήκτρο παρατεταμένα, ο χρόνος αυξάνεται σταδιακά πρώτα σε βήματα του ενός λεπτού, κατόπιν σε βήματα των δέκα λεπτών και έπειτα σε βήματα της μίας ώρας.
6. Πιέστε το πλήκτρο έναρξης/διακοπής λειτουργίας [1] για να επιλέξετε την επιθυμητή λειτουργία (έναρξη ή διακοπή λειτουργίας) στο [6].
 - * Με κάθε πάτημα του πλήκτρου, αλλάζει η ρύθμιση σύμφωνα με την εξής ακολουθία: καμία ένδειξη (καμία ρύθμιση) → ON → OFF

6. Timer (Χρονοδιακόπτης)

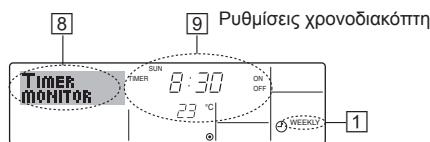
7. Πιέστε το κατάλληλο πλήκτρο ρύθμισης θερμοκρασίας ③ για να ρυθμίσετε την επιθυμητή θερμοκρασία (στο ⑦).
- * Με κάθε πάτημα του πλήκτρου, αλλάζει η ρύθμιση σύμφωνα με την εξής ακολουθία: καμία ένδειξη (καμία ρύθμιση) ⇔ 24 ⇔ 25 ⇔ ... ⇔ 29 ⇔ 30 ⇔ 12 ⇔ ... ⇔ 23 ⇔ καμία ένδειξη.
(Διαθέσιμη περιοχή τιμών: Η περιοχή τιμών για τη ρύθμιση είναι 12 °C έως 30 °C. Όμως, η πραγματική περιοχή τιμών εντός της οποίας μπορεί να ελέγχεται η θερμοκρασία διαφέρει ανάλογα με το είδος της μονάδας που είναι συνδεδεμένη).
8. Αφού κάνετε τις κατάλληλες ρυθμίσεις στα βήματα 5, 6 και 7, πιέστε το πλήκτρο φίλτρου ④ για να κλειδώσετε τις τιμές. Για να διαγράψετε τις τρέχουσες ρυθμισμένες τιμές για την επιλεγμένη λειτουργία, πιέστε και αφήστε γρήγορα το πλήκτρο ελέγχου (διαγραφής) ⑩ μία φορά.
- * Η ρύθμιση χρόνου που εμφανίζεται θα αλλάξει σε “—:—” και θα σβήσουν οι ρυθμίσεις έναρξης/διακοπής λειτουργίας και θερμοκρασίας.
(Για να διαγράψετε ταυτόχρονα όλες τις ρυθμίσεις εβδομαδιαίου χρονοδιακόπτη, πιέστε παρατεταμένα το πλήκτρο ελέγχου (διαγραφής) ⑩ για 2 δευτερόλεπτα ή περισσότερο. Θα αρχίσει να αναβοσβήνει η ένδειξη, υποδεικνύοντας ότι έχουν διαγραφεί όλες οι ρυθμίσεις).

Παρατήρηση:

Οι νέες καταχωρίσεις που κάνετε θα ακυρωθούν αν πιέσετε το πλήκτρο λειτουργίας (Πίσω) ② πριν πιέσετε το πλήκτρο φίλτρου ④. Σε περίπτωση που έχετε ρυθμίσει δύο ή περισσότερες διαφορετικές λειτουργίες για την ίδια ώρα, θα πραγματοποιηθεί μόνο η λειτουργία με το μεγαλύτερο αριθμό λειτουργίας.

9. Επαναλάβετε τα βήματα 3 έως 8, όπως απαιτείται, για να συμπληρώσετε όσα από τα διαθέσιμα κελιά επιθυμείτε.
10. Πιέστε το πλήκτρο λειτουργίας (Πίσω) ② για να επιστρέψετε στην τυπική οθόνη ελέγχου και να ολοκληρώσετε τη διαδικασία ρύθμισης.
11. Για να ενεργοποιήσετε το χρονοδιακόπτη, πιέστε το πλήκτρο χρονοδιακόπτη έναρξης/διακοπής λειτουργίας ①, ώστε να σβήσει ο δείκτης ανενεργού χρονοδιακόπτη από την οθόνη. **Βεβαιωθείτε ότι έσβησε ο δείκτης ανενεργού χρονοδιακόπτη.**
- * Αν δεν υπάρχουν ρυθμίσεις χρονοδιακόπτη, στην οθόνη αναβοσβήνει ο δείκτης ανενεργού χρονοδιακόπτη.

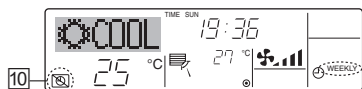
<Πώς να προβάλετε τις ρυθμίσεις εβδομαδιαίου χρονοδιακόπτη>



- Βεβαιωθείτε ότι ο δείκτης εβδομαδιαίου χρονοδιακόπτη εμφανίζεται στην οθόνη (στο ①).
- Πιέστε το πλήκτρο μενού χρονοδιακόπτη ⑧ για να εμφανιστεί το Monitor στην οθόνη (στο ⑧).
- Πιέστε το πλήκτρο χρονοδιακόπτη έναρξης/διακοπής λειτουργίας (ρύθμισης ημέρας) ⑨, όπως απαιτείται, για να επιλέξετε την ημέρα που επιθυμείτε να προβάλετε.
- Πιέστε το πλήκτρο λειτουργίας ⑦ ή ⑧, όπως απαιτείται, για να αλλάξετε τη λειτουργία χρονοδιακόπτη που εμφανίζεται στην ένδειξη (στο ⑨).
- Με κάθε πάτημα του πλήκτρου, θα προχωράτε στην επόμενη λειτουργία χρονοδιακόπτη σύμφωνα με τη σειρά της ρύθμισης χρόνου.
- Για να κλείσετε την παρακολούθηση και να επιστρέψετε στην τυπική οθόνη ελέγχου, πιέστε το πλήκτρο λειτουργίας (Πίσω) ②.

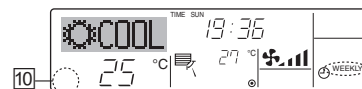
<Για να απενεργοποιήσετε τον εβδομαδιαίο χρονοδιακόπτη>

Πιέστε το πλήκτρο χρονοδιακόπτη έναρξης/διακοπής λειτουργίας ① ώστε να εμφανιστεί ο δείκτης ανενεργού χρονοδιακόπτη στο ⑩.



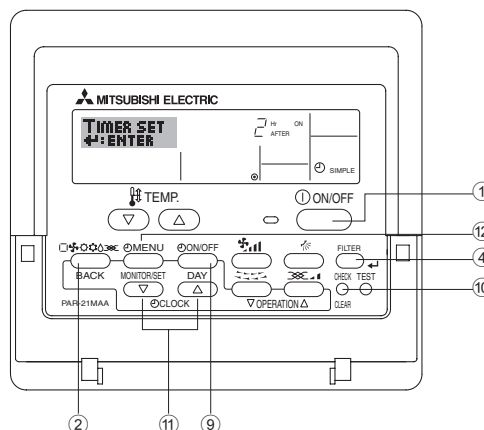
<Για να ενεργοποιήσετε τον εβδομαδιαίο χρονοδιακόπτη>

Πιέστε το πλήκτρο χρονοδιακόπτη έναρξης/διακοπής λειτουργίας ① ώστε να σβήσει ο δείκτης ανενεργού χρονοδιακόπτη (στο ⑩).

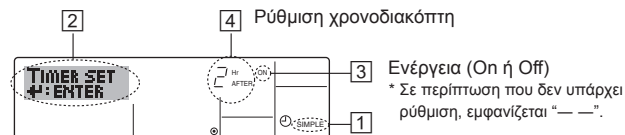


6.1.2. Simple Timer (Απλός Χρονοδιακόπτης)

- Μπορείτε να ρυθμίσετε τον απλό χρονοδιακόπτη με τρεις τρόπους.
 - Χρόνος έναρξης μόνο:
Το κλιματιστικό ξεκινά όταν παρέλθει ο χρόνος ρύθμισης.
 - Χρόνος διακοπής μόνο:
Το κλιματιστικό σταματά όταν παρέλθει ο χρόνος ρύθμισης.
 - Χρόνοι έναρξης και διακοπής:
Το κλιματιστικό ξεκινά και σταματά όταν παρέλθουν οι αντίστοιχοι χρόνοι.
 - Μπορείτε να ρυθμίσετε τον απλό χρονοδιακόπτη (έναρξη και διακοπή) μόνο μία φορά εντός χρονικού διαστήματος 72 ωρών. Η ρύθμιση χρόνου γίνεται με βήματα της μίας ώρας.
- Παρατήρηση:**
- *1. Δεν είναι δυνατό να χρησιμοποιηθούν ταυτόχρονα: εβδομαδιαίος χρονοδιακόπτης/απλός χρονοδιακόπτης/χρονοδιακόπτης αυτόματης διακοπής.
 - *2. Ο απλός χρονοδιακόπτης δεν θα λειτουργεί όταν ισχύει μία από τις εξής συνθήκες:
Ο χρονοδιακόπτης είναι ανενεργός, το σύστημα δεν βρίσκεται σε φυσιολογική κατάσταση, βρίσκεται σε εξέλιξη δοκιμή, το τηλεχειριστήριο πραγματοποιεί αυτο-έλεγχο ή διάγνωση, ο χρήστης βρίσκεται στη διαδικασία επιλογής μιας λειτουργίας, ο χρήστης βρίσκεται στη διαδικασία ρύθμισης του χρονοδιακόπτη, το σύστημα ελέγχεται κεντρικά. (Στις συνθήκες αυτές, απενεργοποιείται η λειτουργία έναρξης/διακοπής).



<Πώς να ρυθμίσετε τον απλό χρονοδιακόπτη>



- Βεβαιωθείτε ότι βρίσκεστε σε τυπική οθόνη ελέγχου και εμφανίζεται ο δείκτης απλού χρονοδιακόπτη στην ένδειξη (στο ①). Όταν εμφανίζεται ένδειξη διαφορετική του απλού χρονοδιακόπτη, ρυθμίστε την στο SIMPLE TIMER χρησιμοποιώντας τη ρύθμιση λειτουργίας χρονοδιακόπτη της επιλογής λειτουργίας (βλ. 8.[4]-3 (3)).
- Πιέστε το πλήκτρο μενού χρονοδιακόπτη ② για να εμφανιστεί το Set Up στην οθόνη (στο ②). (Σημειώσατε ότι, με κάθε πάτημα του πλήκτρου, αλλάζει η ένδειξη μεταξύ Set Up και Monitor).
- Πιέστε το πλήκτρο έναρξης/διακοπής λειτουργίας ① για να εμφανιστεί η τρέχουσα ρύθμιση απλού χρονοδιακόπτη ON ή OFF. Πιέστε το πλήκτρο μία φορά για να εμφανίσετε το χρόνο που απομένει έως την έναρξη και κατόπιν πιέστε το ξανά για να εμφανίσετε το χρόνο που απομένει έως τη διακοπή. (Ο δείκτης έναρξης/διακοπής λειτουργίας εμφανίζεται στο ③).
 - Χρονοδιακόπτης έναρξης:
Το κλιματιστικό θα αρχίσει να λειτουργεί όταν παρέλθει ο καθορισμένος αριθμός ωρών.
 - Χρονοδιακόπτης διακοπής:
Το κλιματιστικό θα σταματήσει να λειτουργεί όταν παρέλθει ο καθορισμένος αριθμός ωρών.
- Με ON ή OFF να εμφανίζεται στο ③: Πιέστε το κατάλληλο πλήκτρο ρύθμισης χρόνου ⑦, όπως απαιτείται, για να ρυθμίσετε τις ώρες έως την έναρξη λειτουργίας (αν εμφανίζεται ON) ή τις ώρες έως τη διακοπή λειτουργίας (αν εμφανίζεται OFF στο ④).
 - Διαθέσιμη περιοχή τιμών: 1 έως 72 ώρες.
- Για να ρυθμίσετε τις ώρες έναρξης και διακοπής λειτουργίας, επαναλάβετε τα βήματα 3 και 4.
 - * Σημειώσατε ότι δεν μπορείτε να ρυθμίσετε τις ώρες έναρξης και διακοπής λειτουργίας στην ίδια τιμή.
- Για να διαγράψετε την τρέχουσα ρύθμιση έναρξης ή διακοπής λειτουργίας: Εμφανίστε τη ρύθμιση έναρξης ή διακοπής λειτουργίας (βλ. βήμα 3) και κατόπιν πιέστε το πλήκτρο ελέγχου (διαγραφής) ⑩ ώστε η ρύθμιση χρόνου να αλλάξει σε “—” στο ④. (Σε περίπτωση που επιθυμείτε να χρησιμοποιήσετε μόνο τη ρύθμιση έναρξης λειτουργίας ή μόνο τη ρύθμιση διακοπής λειτουργίας, βεβαιωθείτε ότι εμφανίζεται ως “—” η ρύθμιση που δεν επιθυμείτε να χρησιμοποιήσετε).

6. Timer (Χρονοδιακόπτης)

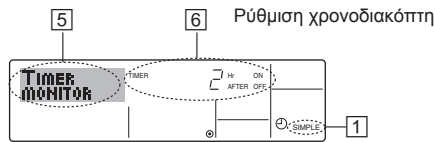
7. Αφού ολοκληρώσετε τα παραπάνω βήματα 3 έως 6, πιέστε το πλήκτρο φίλτρου ◀ ④ για να κλειδώσετε την τιμή.

Παρατήρηση:

Οι νέες ρυθμίσεις που κάνατε θα ακυρωθούν αν πιέσετε το πλήκτρο λειτουργίας (Πίσω) ② πριν πιέσετε το πλήκτρο φίλτρου ◀ ④.

8. Πιέστε το πλήκτρο λειτουργίας (Πίσω) ② για να επιστρέψετε στην τυπική οθόνη ελέγχου.
9. Πιέστε το πλήκτρο έναρξης/διακοπής λειτουργίας χρονοδιακόπτη ⑨ για να ξεκινήσετε την αντίστροφη μέτρηση του χρονοδιακόπτη. Όταν λειτουργεί ο χρονοδιακόπτης, ως ένδειξη εμφανίζεται η τιμή του χρονοδιακόπτη. **Βεβαιωθείτε ότι η τιμή του χρονοδιακόπτη είναι ορατή και σωστή.**

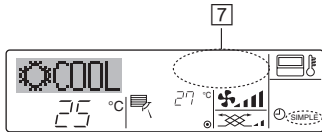
<Προβολή των τρεχουσών ρυθμίσεων απλού χρονοδιακόπτη>



1. Βεβαιωθείτε ότι ο δείκτης απλού χρονοδιακόπτη εμφανίζεται στην οθόνη (στο ①).
2. Πιέστε το πλήκτρο μενού χρονοδιακόπτη ⑥ για να εμφανιστεί η ένδειξη Monitor στην οθόνη (στο ⑤).
 - Σε περίπτωση που βρίσκεται σε λειτουργία ο απλός χρονοδιακόπτης έναρξης ή διακοπής λειτουργίας, εμφανίζεται η τρέχουσα τιμή του χρονοδιακόπτη στο ⑥.
 - Σε περίπτωση που έχουν γίνει και οι δύο ρυθμίσεις έναρξης και διακοπής λειτουργίας, εμφανίζονται διαδοχικά οι δύο αυτές τιμές.
3. Πιέστε το πλήκτρο λειτουργίας (Πίσω) ② για να κλείσετε την ένδειξη παρακολούθησης και να επιστρέψετε στην τυπική οθόνη ελέγχου.

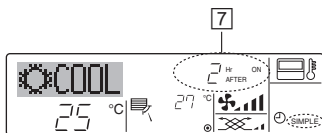
<Για να απενεργοποιήσετε τον απλό χρονοδιακόπτη...>

Πιέστε το πλήκτρο χρονοδιακόπτη έναρξης/διακοπής λειτουργίας ⑨ ώστε να μην εμφανίζεται πλέον η ρύθμιση χρονοδιακόπτη στην οθόνη (στο ⑦).



<Για να ξεκινήσετε τον απλό χρονοδιακόπτη...>

Πιέστε το πλήκτρο χρονοδιακόπτη έναρξης/διακοπής λειτουργίας ⑨ ώστε να εμφανιστεί η ρύθμιση χρονοδιακόπτη στο ⑦.



Παραδείγματα

Σε περίπτωση που έχουν ρυθμιστεί οι ώρες έναρξης και διακοπής λειτουργίας στον απλό χρονοδιακόπτη, η λειτουργία και η ένδειξη υποδεικνύονται παρακάτω.

Παράδειγμα 1:

Έναρξη χρονοδιακόπτη, με το χρόνο έναρξης λειτουργίας να προηγείται του χρόνου διακοπής λειτουργίας
 Ρύθμιση έναρξης λειτουργίας: 3 ώρες
 Ρύθμιση διακοπής λειτουργίας: 7 ώρες

Στην έναρξη χρονοδιακόπτη Η ένδειξη εμφανίζει τη ρύθμιση έναρξης λειτουργίας του χρονοδιακόπτη (ώρες που απομένουν έως την έναρξη λειτουργίας).

Στις 3 ώρες μετά την έναρξη του χρονοδιακόπτη Η ένδειξη αλλάζει ώστε να εμφανίζει τη ρύθμιση διακοπής λειτουργίας του χρονοδιακόπτη (ώρες που απομένουν έως τη διακοπή λειτουργίας). Ο χρόνος που εμφανίζεται είναι ρύθμιση OFF (7 ώρες) – ρύθμιση ON (3 ώρες) = 4 ώρες.

Στις 7 ώρες μετά την έναρξη του χρονοδιακόπτη Σβήνει το κλιματιστικό και θα παραμείνει σβηστό έως ότου κάποιος το θέσει ξανά σε λειτουργία.

Παράδειγμα 2:

Έναρξη χρονοδιακόπτη, με το χρόνο διακοπής λειτουργίας να προηγείται του χρόνου έναρξης λειτουργίας
 Ρύθμιση έναρξης λειτουργίας: 5 ώρες
 Ρύθμιση διακοπής λειτουργίας: 2 ώρες

Στην έναρξη χρονοδιακόπτη Η ένδειξη εμφανίζει τη ρύθμιση διακοπής λειτουργίας του χρονοδιακόπτη (ώρες που απομένουν έως τη διακοπή λειτουργίας).

Στις 2 ώρες μετά την έναρξη του χρονοδιακόπτη Η ένδειξη αλλάζει ώστε να εμφανίζει τη ρύθμιση έναρξης λειτουργίας του χρονοδιακόπτη (ώρες που απομένουν έως την έναρξη λειτουργίας). Ο χρόνος που εμφανίζεται είναι ρύθμιση ON (5 ώρες) – ρύθμιση OFF (2 ώρες) = 3 ώρες.

Στις 5 ώρες μετά την έναρξη του χρονοδιακόπτη Ανάβει το κλιματιστικό και θα συνεχίσει να λειτουργεί έως ότου κάποιος το σβήσει.

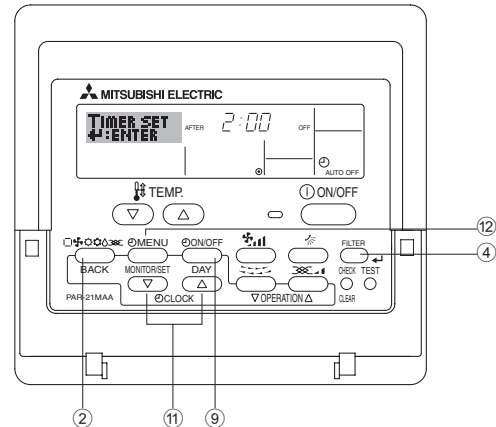
6.1.3. Auto Off Timer

(Χρονοδιακόπτης Αυτόματης Απενεργοποίησης)

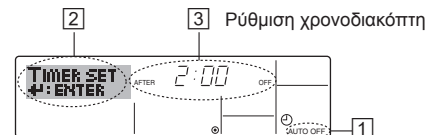
- Ο χρονοδιακόπτης αυτός ξεκινάει αντίστροφη μέτρηση όταν αρχίσει το κλιματιστικό να λειτουργεί και διακόπτει τη λειτουργία του κλιματιστικού όταν παρέλθει ο ρυθμισμένος χρόνος.
- Οι διαθέσιμες ρυθμίσεις είναι από 30 λεπτά έως 4 ώρες, σε βήματα των 30 λεπτών.

Παρατήρηση:

- *1. Δεν είναι δυνατό να χρησιμοποιηθούν ταυτόχρονα: εβδομαδιαίος χρονοδιακόπτης/απλός χρονοδιακόπτης/χρονοδιακόπτης αυτόματης διακοπής.
- *2. Ο χρονοδιακόπτης αυτόματης διακοπής δεν θα λειτουργεί όταν ισχύει μία από τις εξής συνθήκες:
 - Ο χρονοδιακόπτης είναι ανενεργός, το σύστημα δεν βρίσκεται σε φυσιολογική κατάσταση, βρίσκεται σε εξέλιξη δοκιμή, το τηλεχειριστήριο πραγματοποιεί αυτο-έλεγχο ή διάγνωση, ο χρήστης βρίσκεται στη διαδικασία επιλογής μιας λειτουργίας, ο χρήστης βρίσκεται στη διαδικασία ρύθμισης του χρονοδιακόπτη, το σύστημα ελέγχεται κεντρικά. (Στις συνθήκες αυτές, απενεργοποιείται η λειτουργία έναρξης/διακοπής).



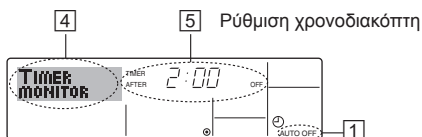
<Πώς να ρυθμίσετε το χρονοδιακόπτη αυτόματης διακοπής>



1. Βεβαιωθείτε ότι βρίσκεστε σε τυπική οθόνη ελέγχου και εμφανίζεται ο δείκτης χρονοδιακόπτη αυτόματης διακοπής στην ένδειξη (στο ①). Όταν εμφανίζεται ένδειξη διαφορετική του χρονοδιακόπτη αυτόματης διακοπής, ρυθμίστε την στο AUTO OFF TIMER χρησιμοποιώντας τη ρύθμιση λειτουργίας χρονοδιακόπτη της επιλογής λειτουργίας (βλ. 8.[4]–3 (3)).
2. Πιέστε παρατεταμένα το πλήκτρο μενού χρονοδιακόπτη ② για 3 δευτερόλεπτα για να εμφανιστεί το Set Up στην οθόνη (στο ②). (Σημειώσατε ότι, με κάθε πάτημα του πλήκτρου, αλλάζει η ένδειξη μεταξύ Set Up και Monitor).
3. Πιέστε το κατάλληλο πλήκτρο ρύθμισης χρόνου ①, όπως απαιτείται, για να ρυθμίσετε το χρόνο διακοπής (στο ③).
4. Πιέστε το πλήκτρο φίλτρου ◀ ④ για να κλειδώσετε τη ρύθμιση.
Παρατήρηση:
 Η καταχώριση που κάνατε θα ακυρωθεί αν πιέσετε το πλήκτρο λειτουργίας (Πίσω) ② πριν πιέσετε το πλήκτρο φίλτρου ◀ ④.
5. Πιέστε το πλήκτρο λειτουργίας (Πίσω) ② για να ολοκληρώσετε τη διαδικασία ρύθμισης και να επιστρέψετε στην τυπική οθόνη ελέγχου.
6. Σε περίπτωση που ήδη λειτουργεί το κλιματιστικό, το χρονομέτρο αρχίζει αμέσως την αντίστροφη μέτρηση. **Βεβαιωθείτε ότι εμφανίζεται σωστά η ρύθμιση χρονοδιακόπτη στην ένδειξη.**

6. Timer (Χρονοδιακόπτης)

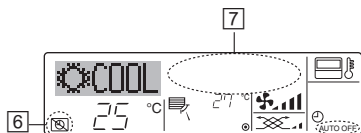
<Έλεγχος της τρέχουσας ρύθμισης χρονοδιακόπτη αυτόματης διακοπής>



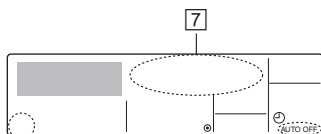
1. Βεβαιωθείτε ότι εμφανίζεται στην οθόνη η ένδειξη "Auto Off" (στο 1).
2. Πιέστε παρατεταμένα το πλήκτρο μενού χρονοδιακόπτη ② για 3 δευτερόλεπτα για να εμφανιστεί το Monitor στην οθόνη (στο 4).
 - Ο χρόνος που απομένει έως τη διακοπή εμφανίζεται στο 5.
3. Για να κλείσετε την παρακολούθηση και να επιστρέψετε στην τυπική οθόνη ελέγχου, πιέστε το πλήκτρο κατάστασης (επιστροφής) ②.

<Για να απενεργοποιήσετε τον χρονοδιακόπτη αυτόματης διακοπής...>

- Πιέστε παρατεταμένα το πλήκτρο έναρξης/διακοπής χρονοδιακόπτη ⑨ για 3 δευτερόλεπτα ώστε να εμφανιστεί ο δείκτης ανενεργού χρονοδιακόπτη (στο 6) και να σβήσει η τιμή του χρονοδιακόπτη (στο 7).

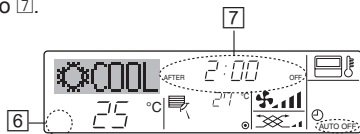


- Εναλλακτικά, σβήστε το ίδιο το κλιματιστικό. Θα σβήσει η τιμή του χρονοδιακόπτη (στο 7) από την οθόνη.

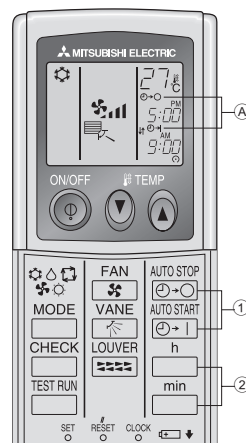


<Για να ξεκινήσετε τον χρονοδιακόπτη αυτόματης διακοπής...>

- Πιέστε παρατεταμένα το πλήκτρο έναρξης/διακοπής χρονοδιακόπτη ⑨ για 3 δευτερόλεπτα. Σβήνει ο δείκτης ανενεργού χρονοδιακόπτη (στο 6) και εμφανίζεται η ρύθμιση χρονοδιακόπτη στην ένδειξη (στο 7).
- Εναλλακτικά, ανάψτε το κλιματιστικό. Η τιμή του χρονοδιακόπτη θα εμφανιστεί στο 7.



6.2. Για το τηλεχειριστήριο



- 1 Πιέστε το κουμπί ή (TIMER SET) (Ρύθμιση χρονοδιακόπτη).
 - 2 Η ρύθμιση της ώρας μπορεί να γίνει όταν στην οθόνη αναβοσβήνουν τα παρακάτω σύμβολα.
OFF timer (Χρονοδιακόπτης OFF): αναβοσβήνουν τα σύμβολα .
ON timer (Χρονοδιακόπτης ON): αναβοσβήνουν τα σύμβολα .
 - 3 Χρησιμοποιήστε τα κουμπιά και για να επιλέξετε τον επιθυμητό χρόνο.
 - 3 Ακύρωση του χρόνου.
Για ακύρωση του OFF timer (Χρονοδιακόπτης OFF), πιέστε το κουμπί .
Για ακύρωση του ON timer (Χρονοδιακόπτης ON), πιέστε το κουμπί .
- Μπορείτε επίσης να συνδυάσετε τους δύο χρονοδιακόπτες OFF και ON.
 - Η πίεση του κουμπιού του τηλεχειριστηρίου κατά τη λειτουργία του χρονοδιακόπτη, για διακοπή της λειτουργίας της μονάδας, προκαλεί την ακύρωση των χρονοδιακοπών.
 - Εάν δεν έχει γίνει ρύθμιση της τρέχουσας ώρας, η λειτουργία χρονοδιακόπτη δεν μπορεί να χρησιμοποιηθεί.

7. Άλλες λειτουργίες

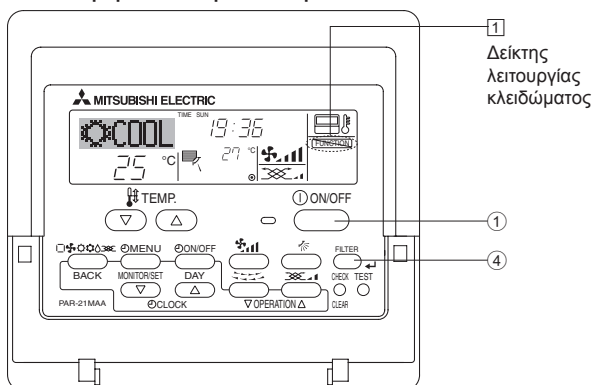
7.1. Κλειδώμα των πλήκτρων του τηλεχειριστηρίου (όριο λειτουργίας)

- Αν το επιθυμείτε, μπορείτε να κλειδώσετε τα πλήκτρα του τηλεχειριστηρίου. Έχετε τη δυνατότητα να χρησιμοποιήσετε την επιλογή λειτουργίας του τηλεχειριστηρίου για να επιλέξετε τη λειτουργία κλειδώματος που θα χρησιμοποιήσετε. (Για πληροφορίες σχετικά με την επιλογή της λειτουργίας κλειδώματος, ανατρέξτε στην ενότητα 8, αντικείμενο [4]-2 (1)).
Ειδικότερα, μπορείτε να χρησιμοποιήσετε οποιοδήποτε από τα εξής δύο είδη κλειδώματος.

- 1 Κλειδώμα όλων των πλήκτρων:
Κλειδώνει όλα τα πλήκτρα του τηλεχειριστηρίου.
- 2 Κλειδώμα όλων των πλήκτρων εκτός του πλήκτρου ON/OFF:
Κλειδώνει όλα τα πλήκτρα εκτός από το πλήκτρο λειτουργίας (ON/OFF).

Παρατήρηση:

Στην οθόνη εμφανίζεται ο δείκτης της λειτουργίας κλειδώματος για να υποδείξει ότι τα πλήκτρα είναι τώρα κλειδωμένα.



<Πώς να κλειδώσετε τα πλήκτρα>

1. Ενώ πιέζετε το πλήκτρο φίλτρου ④, πιέστε παρατεταμένα το πλήκτρο λειτουργίας (ON/OFF) ① για 2 δευτερόλεπτα. Εμφανίζεται ο δείκτης της λειτουργίας κλειδώματος στην οθόνη (στο 1), υποδεικνύοντας ότι είναι τώρα ενεργοποιημένη η λειτουργία κλειδώματος.
* Σε περίπτωση που έχει απενεργοποιηθεί το κλειδώμα από την επιλογή λειτουργίας, στην οθόνη θα εμφανιστεί το μήνυμα "Not Available" (Δεν διατίθεται) όταν πιέζετε τα πλήκτρα όπως περιγράφεται παραπάνω.



- Αν πιέσετε ένα κλειδωμένο πλήκτρο, ως ένδειξη αναβοσβήνει ο δείκτης της λειτουργίας κλειδώματος (στο 1).



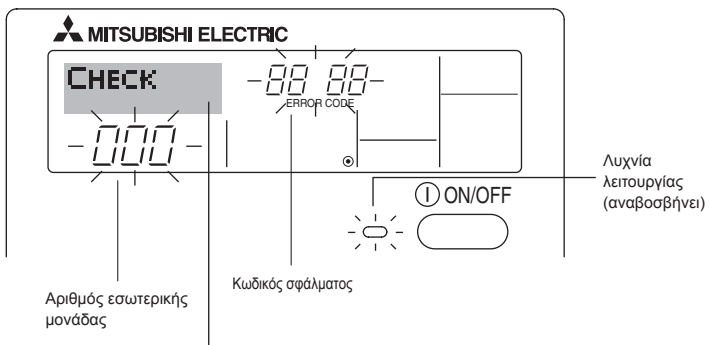
<Πώς να ξεκλειδώσετε τα πλήκτρα>

1. Ενώ πιέζετε το πλήκτρο φίλτρου ④, πιέστε παρατεταμένα το πλήκτρο λειτουργίας (ON/OFF) ① για 2 δευτερόλεπτα—ώστε να σβήσει από την οθόνη ο δείκτης της λειτουργίας κλειδώματος (στο 1).



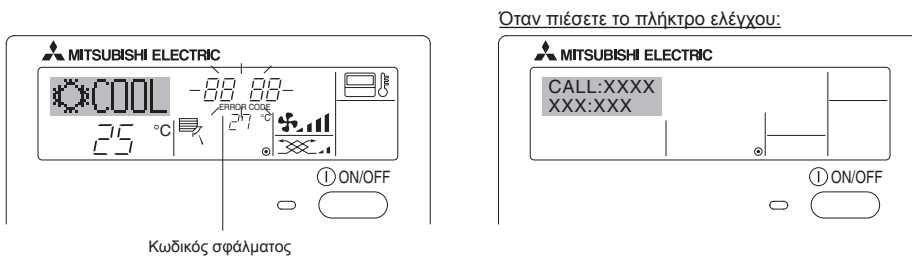
7. Άλλες λειτουργίες

7.2. Ένδειξη κωδικών σφαλμάτων



Αν έχετε εισάγει κάποιον τηλεφωνικό αριθμό τον οποίο μπορείτε να καλέσετε σε περίπτωση κάποιου προβλήματος, στην οθόνη θα εμφανίζεται ο αριθμός αυτός. (Η ρύθμιση αυτή μπορεί να γίνει στην επιλογή λειτουργίας. Για πληροφορίες, ανατρέξτε στην ενότητα 8).

- Σε περίπτωση που αναβοσβήνουν και η λυχνία λειτουργίας και ο κωδικός σφάλματος: Αυτό σημαίνει ότι το κλιματιστικό είναι χαλασμένο και έχει διακοπεί η λειτουργία (δεν είναι δυνατή η επαναφορά του). Σημειώστε τον αριθμό μονάδας και τον κωδικό σφάλματος που υποδεικνύονται, αποσυνδέστε το κλιματιστικό από την ηλεκτρική παροχή και καλέστε τον πωλητή ή τον υπεύθυνο συντήρησης.



- Σε περίπτωση που αναβοσβήνει μόνο ο κωδικός σφάλματος (ενώ παραμένει αναμμένη η λυχνία λειτουργίας): Η λειτουργία συνεχίζεται, αλλά ενδεχομένως να υπάρχει πρόβλημα με το σύστημα. Στην περίπτωση αυτή, θα πρέπει να σημειώσετε τον κωδικό σφάλματος και κατόπιν να καλέσετε τον πωλητή ή τον υπεύθυνο συντήρησης για συμβουλή.

* Αν έχετε εισάγει κάποιον τηλεφωνικό αριθμό τον οποίο μπορείτε να καλέσετε σε περίπτωση κάποιου προβλήματος, πιάστε το πλήκτρο ελέγχου για να το εμφανίσετε στην οθόνη. (Η ρύθμιση αυτή μπορεί να γίνει στην επιλογή λειτουργίας. Για πληροφορίες, ανατρέξτε στην ενότητα 8).

8. Επιλογή λειτουργίας

Επιλογή λειτουργίας τηλεχειριστηρίου

Η ρύθμιση των ακόλουθων λειτουργιών τηλεχειριστηρίου μπορεί να αλλάξει με τη χρήση της επιλογής λειτουργίας του τηλεχειριστηρίου. Αλλάξτε τις ρυθμίσεις όταν είναι απαραίτητο.

Στοιχείο 1	Στοιχείο 2	Στοιχείο 3 (Πληροφορίες ρύθμισης)
1. Αλλαγή γλώσσας ("CHANGE LANGUAGE")	Ρύθμιση γλώσσας εμφάνισης	• Είναι δυνατή η εμφάνιση των ενδείξεων σε πολλές γλώσσες
2. Όριο λειτουργίας ("FUNCTION SELECTION")	(1) Ρύθμιση ορίου λειτουργίας (λειτουργία κλειδώματος) ("LOCKING FUNCTION")	• Ρύθμιση του εύρους του ορίου λειτουργίας (λειτουργία κλειδώματος)
	(2) Χρήση ρύθμισης αυτόματης λειτουργίας ("SELECT AUTO MODE")	• Ενεργοποίηση ή μη της "αυτόματης" λειτουργίας
	(3) Ρύθμιση εύρους θερμοκρασίας ("LIMIT TEMP FUNCTION")	• Ρύθμιση του εύρους επιλεγόμενης θερμοκρασίας (μέγιστη τιμή, ελάχιστη τιμή)
3. Επιλογή λειτουργίας ("MODE SELECTION")	(1) Ρύθμιση κύριου/δευτερεύοντος τηλεχειριστηρίου ("CONTROLLER MAIN/SUB")	• Επιλογή του κυρίου ή του δευτερεύοντος τηλεχειριστηρίου * Όταν συνδέονται δύο τηλεχειριστήρια σε μία ομάδα, το ένα τηλεχειριστήριο πρέπει να οριστεί ως δευτερεύον.
	(2) Ρύθμιση ώρας ("CLOCK")	• Ενεργοποίηση ή μη της λειτουργίας ρολογιού
	(3) Ρύθμιση λειτουργίας χρονοδιακόπτη ("WEEKLY TIMER")	• Ρύθμιση του τύπου χρονομέτρου
	(4) Ρύθμιση αριθμού επικοινωνίας σε περίπτωση τεχνικού προβλήματος ("CALL.")	• Αριθμός επικοινωνίας σε περίπτωση τεχνικού προβλήματος • Επιλογή του αριθμού τηλεφώνου
4. Αλλαγή ενδείξεων ("DISP MODE SETTING")	(1) Επιλογή μονάδας μέτρησης θερμοκρασίας °C/°F ("TEMP MODE °C/°F")	• Ρύθμιση της μονάδας θερμοκρασίας (°C ή °F) που θα εμφανίζεται
	(2) Ρύθμιση ένδειξης θερμοκρασίας εισερχόμενου αέρα ("ROOM TEMP DISP SELECT")	• Ενεργοποίηση ή μη της εμφάνισης της ένδειξης θερμοκρασίας εσωτερικού (εισερχόμενου) αέρα
	(3) Ρύθμιση ένδειξης αυτόματης ψύξης/θέρμανσης ("AUTO MODE DISP C/H")	• Ενεργοποίηση ή μη της εμφάνισης της ένδειξης "Cooling" (Ψύξη) ή "Heating" (Θέρμανση) κατά τη διάρκεια αυτόματης λειτουργίας

8. Επιλογή λειτουργίας

[Διάγραμμα επιλογής λειτουργίας]
Ρύθμιση γλώσσας (Αγγλικά)

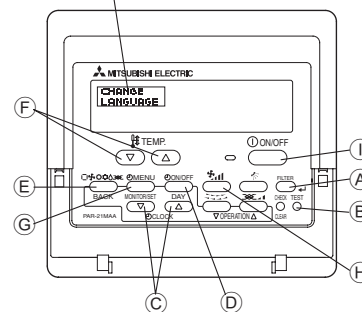
Κανονικές ενδείξεις (Ενδείξεις όταν το κλιματιστικό δεν λειτουργεί)

Κρατήστε πατημένο το κουμπί **E** και πατήστε το κουμπί **G** για 2 δευτερόλεπτα.

Κρατήστε πατημένο το κουμπί **E** και πατήστε το κουμπί **G** για 2 δευτερόλεπτα.

- E** Πατήστε το κουμπί κατάστασης λειτουργίας.
- G** Πατήστε το κουμπί TIMER MENU (MENU ΧΡΟΝΟΔΙΑΚΟΠΤΗ).
- D** Πατήστε το κουμπί TIMER ON/OFF (ΕΝΕΡΓΟΠΟΙΗΣΗ/ ΑΠΕΝΕΡΓΟΠΟΙΗΣΗ ΧΡΟΝΟΔΙΑΚΟΠΤΗ).

Οθόνη κουκίδων

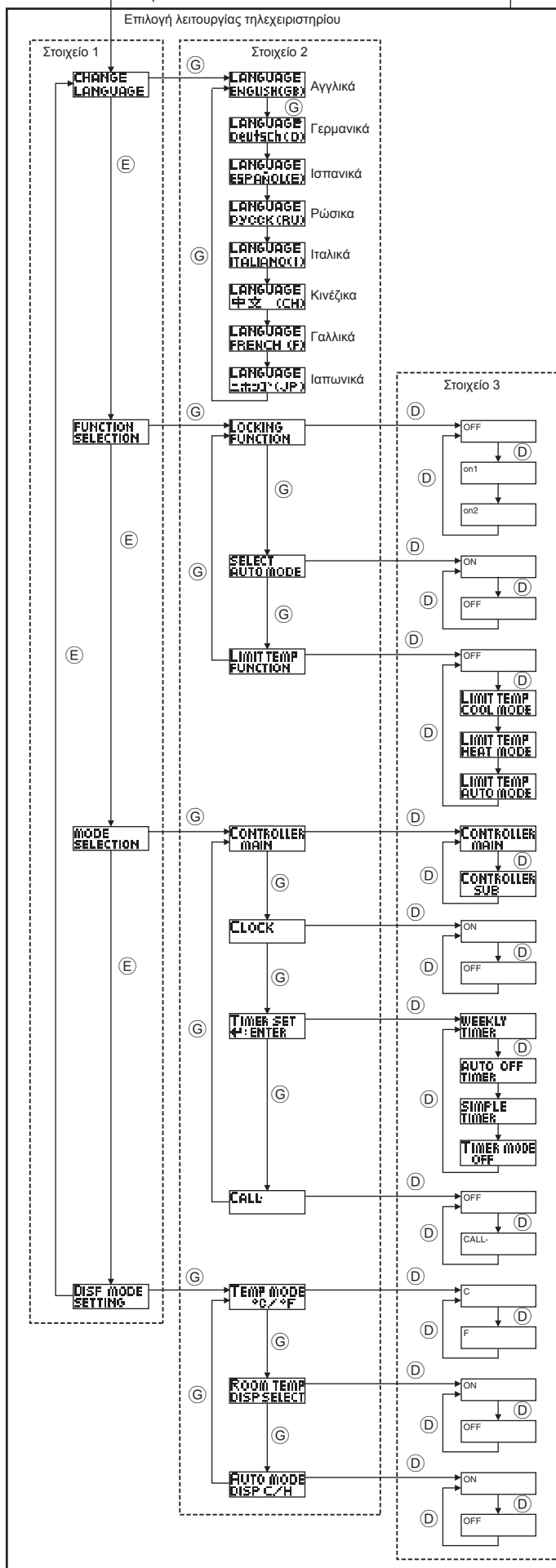


Αλλαγή γλώσσας

Επιλογή λειτουργίας

Επιλογή κατάστασης λειτουργίας

Αλλαγή ενδείξεων



Η ρύθμιση της λειτουργίας κλειδώματος δεν χρησιμοποιείται. (Τιμή αρχικής ρύθμισης)

Η ρύθμιση της λειτουργίας κλειδώματος δεν ισχύει για τα κουμπιά On/Off (Ενεργοποίηση/Απενεργοποίηση).

Η ρύθμιση της λειτουργίας κλειδώματος ισχύει για όλα τα κουμπιά.

Η ένδειξη αυτόματης λειτουργίας εμφανίζεται όταν επιλέγεται η κατάσταση λειτουργίας. (Τιμή αρχικής ρύθμισης)

Η ένδειξη αυτόματης λειτουργίας δεν εμφανίζεται όταν επιλέγεται η κατάσταση λειτουργίας.

Το εύρος θερμοκρασίας δεν είναι ενεργό. (Τιμή αρχικής ρύθμισης)

Το εύρος θερμοκρασίας μπορεί να αλλάξει στη λειτουργία ψύξης/αφύγρανσης.

Το εύρος θερμοκρασίας μπορεί να αλλάξει στη λειτουργία θέρμανσης.

Το εύρος θερμοκρασίας μπορεί να αλλάξει στην αυτόματη λειτουργία.

Το τηλεχειριστήριο θα είναι το κύριο τηλεχειριστήριο. (Τιμή αρχικής ρύθμισης)

Το τηλεχειριστήριο θα είναι το δευτερεύον τηλεχειριστήριο.

Η λειτουργία ρολογιού είναι ενεργοποιημένη. (Τιμή αρχικής ρύθμισης)

Η λειτουργία ρολογιού δεν είναι ενεργοποιημένη.

Μπορεί να χρησιμοποιηθεί η λειτουργία Weekly timer (Εβδομαδιαίος χρονοδιακόπτης). (Τιμή αρχικής ρύθμισης)

Μπορεί να χρησιμοποιηθεί η λειτουργία Auto off timer (Χρονοδιακόπτης αυτόματης απενεργοποίησης).

Μπορεί να χρησιμοποιηθεί η λειτουργία Simple timer (Απλός χρονοδιακόπτης).

Δεν μπορεί να χρησιμοποιηθεί η λειτουργία χρονοδιακόπτης.

Σε περίπτωση σφάλματος δεν εμφανίζονται οι καθορισμένοι αριθμοί επικοινωνίας. (Τιμή αρχικής ρύθμισης)

Σε περίπτωση σφάλματος εμφανίζονται καθορισμένοι αριθμοί επικοινωνίας.

Χρησιμοποιείται η μονάδα θερμοκρασίας °C. (Τιμή αρχικής ρύθμισης)

Χρησιμοποιείται η μονάδα θερμοκρασίας °F.

Εμφανίζεται η θερμοκρασία αέρα περιβάλλοντος. (Τιμή αρχικής ρύθμισης)

Δεν εμφανίζεται η θερμοκρασία αέρα περιβάλλοντος.

Όταν έχει επιλεγεί η αυτόματη λειτουργία, εμφανίζεται είτε η ένδειξη "Automatic cooling" (Αυτόματη ψύξη), είτε η ένδειξη "Automatic heating" (Αυτόματη θέρμανση). (Τιμή αρχικής ρύθμισης)

Εμφανίζεται μόνο η ένδειξη "Automatic" (Αυτόματη λειτουργία) όταν έχει επιλεγεί η αυτόματη λειτουργία.

GR

8. Επιλογή λειτουργίας

[Λεπτομέρειες ρύθμισης]

[4]–1. Ρύθμιση CHANGE LANGUAGE (ΑΛΛΑΓΗ ΓΛΩΣΣΑΣ)

Μπορεί να επιλεγεί η γλώσσα που θα εμφανίζεται στην οθόνη κουκίδων.

- Πιέστε το κουμπί [MENU] για να αλλάξετε τη γλώσσα.
 - 1 Αγγλικά (GB), 2 Γερμανικά (D), 3 Ισπανικά (E), 4 Ρώσικα (RU), 5 Ιταλικά (I), 6 Κινέζικα (CH), 7 Γαλλικά (F), 8 Ιαπωνικά (JP)

Ανατρέξτε στον πίνακα οθόνης κουκίδων.

[4]–2. Όριο λειτουργίας

(1) Ρύθμιση ορίου λειτουργίας (λειτουργία κλειδώματος)

- Για να αλλάξετε τη ρύθμιση, πατήστε το κουμπί [ON/OFF].
 - 1 no1 : Η ρύθμιση της λειτουργίας κλειδώματος ισχύει για όλα τα κουμπιά εκτός από το [ON/OFF].
 - 2 no2 : Η ρύθμιση της λειτουργίας κλειδώματος ισχύει για όλα τα κουμπιά.
 - 3 OFF (Τιμή αρχικής ρύθμισης) : Η λειτουργία κλειδώματος δεν είναι ενεργοποιημένη.
- * Για να ενεργοποιήσετε τη ρύθμιση λειτουργίας κλειδώματος στην κανονική οθόνη, είναι απαραίτητο να πατήσετε κάποια κουμπιά (Πατήστε ταυτόχρονα και κρατήστε πατημένα τα κουμπιά [FILTER] και [ON/OFF] για 2 δευτερόλεπτα) στην κανονική οθόνη αφού γίνει η παραπάνω ρύθμιση.

(2) Χρήση ρύθμισης αυτόματης λειτουργίας

Όταν το τηλεχειριστήριο είναι συνδεδεμένο με μονάδα η οποία βρίσκεται σε αυτόματη λειτουργία, μπορούν να πραγματοποιηθούν οι ακόλουθες ρυθμίσεις.

- Για να αλλάξετε τη ρύθμιση, πατήστε το κουμπί [ON/OFF].
 - 1 ON (Τιμή αρχικής ρύθμισης): Η ένδειξη αυτόματης λειτουργίας εμφανίζεται όταν επιλέγεται η κατάσταση λειτουργίας.
 - 2 OFF: Η ένδειξη αυτόματης λειτουργίας δεν εμφανίζεται όταν επιλέγεται η κατάσταση λειτουργίας.

(3) Ρύθμιση εύρους θερμοκρασίας

Αφού πραγματοποιηθεί αυτή η ρύθμιση, μπορεί να επιλεγεί μία θερμοκρασία ανάμεσα στο καθορισμένο εύρος.

- Για να αλλάξετε τη ρύθμιση, πατήστε το κουμπί [ON/OFF].
 - 1 LIMIT TEMP COOL MODE: Το εύρος θερμοκρασίας μπορεί να αλλάξει στη λειτουργία ψύξης/αφύγρανσης.
 - 2 LIMIT TEMP HEAT MODE: Το εύρος θερμοκρασίας μπορεί να αλλάξει στη λειτουργία θέρμανσης.
 - 3 LIMIT TEMP AUTO MODE: Το εύρος θερμοκρασίας μπορεί να αλλάξει στην αυτόματη λειτουργία.
 - 4 OFF (αρχική ρύθμιση): Το εύρος θερμοκρασίας δεν είναι ενεργό.
- * Όταν γίνει ρύθμιση άλλη πέραν της OFF (ΑΠΕΝΕΡΓΟΠΟΙΗΣΗ), γίνεται ταυτόχρονα η ρύθμιση του εύρους θερμοκρασίας για τις λειτουργίες αυτόματη, ψύξη και θέρμανση. Όμως, δεν είναι δυνατό να τεθεί όριο για το εύρος όταν δεν έχει αλλάξει η επιλεγμένη θερμοκρασία.
- Για να αυξήσετε ή να μειώσετε τη θερμοκρασία, πατήστε το κουμπί [TEMP. (▽) ή (Δ)].
- Για να αλλάξετε τη ρύθμιση ανώτερου και κατώτερου ορίου, πατήστε το κουμπί [TEMP. (▽) ή (Δ)]. Η επιλεγμένη ρύθμιση θα αναβοσβήσει και μπορείτε να ρυθμίσετε τη θερμοκρασία.
- Εύρος ρύθμισης
Λειτουργία ψύξης/αφύγρανσης:
Κατώτερο όριο: 19°C έως 30°C Ανώτερο όριο: 30°C έως 19°C
Λειτουργία θέρμανσης:
Κατώτερο όριο: 17°C έως 28°C Ανώτερο όριο: 28°C έως 17°C
Αυτόματη λειτουργία:
Κατώτερο όριο: 19°C έως 28°C Ανώτερο όριο: 28°C έως 19°C

[4]–3. Ρύθμιση επιλογής λειτουργίας

(1) Ρύθμιση κύριου/δευτερεύοντος τηλεχειριστηρίου

- Για να αλλάξετε τη ρύθμιση, πατήστε το κουμπί [ON/OFF].
 - 1 Main: Το τηλεχειριστήριο θα είναι το κύριο τηλεχειριστήριο.
 - 2 Sub: Το τηλεχειριστήριο θα είναι το δευτερεύον τηλεχειριστήριο.

(2) Ρύθμιση ώρας

- Για να αλλάξετε τη ρύθμιση, πατήστε το κουμπί [ON/OFF].
 - 1 ON: Η λειτουργία ρολογιού είναι ενεργοποιημένη.
 - 2 OFF: Η λειτουργία ρολογιού δεν είναι ενεργοποιημένη.

(3) Ρύθμιση λειτουργίας χρονοδιακόπτη

- Για να αλλάξετε τη ρύθμιση, πατήστε το κουμπί [ON/OFF]. (Επιλέξτε ένα από τα ακόλουθα).
 - 1 WEEKLY TIMER (Τιμή αρχικής ρύθμισης): Μπορεί να χρησιμοποιηθεί ο εβδομαδιαίος χρονοδιακόπτης.
 - 2 AUTO OFF TIMER: Μπορεί να χρησιμοποιηθεί ο χρονοδιακόπτης αυτόματης απενεργοποίησης.
 - 3 SIMPLE TIMER: Μπορεί να χρησιμοποιηθεί ο απλός χρονοδιακόπτης.
 - 4 TIMER MODE OFF: Δεν μπορεί να χρησιμοποιηθεί η λειτουργία χρονοδιακόπτη.
- * Όταν το ρολόι είναι απενεργοποιημένο (ρύθμιση OFF), δεν μπορεί να χρησιμοποιηθεί ο "WEEKLY TIMER" (ΕΒΔΟΜΑΔΙΑΙΟΣ ΧΡΟΝΟΔΙΑΚΟΠΤΗΣ).

(4) Ρύθμιση αριθμού επικοινωνίας σε περίπτωση τεχνικού προβλήματος

- Για να αλλάξετε τη ρύθμιση, πατήστε το κουμπί [ON/OFF].
 - 1 CALL OFF: Σε περίπτωση τεχνικού προβλήματος δεν εμφανίζονται οι καθορισμένοι αριθμοί επικοινωνίας.
CALL **** * * * * *.
 - 2 CALL : Σε περίπτωση τεχνικού προβλήματος εμφανίζονται οι καθορισμένοι αριθμοί επικοινωνίας.
CALL :
Ο αριθμός επικοινωνίας μπορεί να επιλεγεί όταν η ένδειξη της οθόνης είναι όμοια με εκείνη στα αριστερά.
- Επιλογή των αριθμών επικοινωνίας
Για να επιλέξετε τους αριθμούς επικοινωνίας, ακολουθήστε την παρακάτω διαδικασία.
Μετακινήστε τον δρομέα που αναβοσβήνει για να ορίσετε τους αριθμούς. Πιέστε το κουμπί [TEMP. (▽) και (Δ)] για να μετακινήσετε τον δρομέα προς τα δεξιά (ή αριστερά). Πιέστε το κουμπί [CLOCK (▽) και (Δ)] για να ορίσετε τους αριθμούς.

[4]–4. Ρύθμιση αλλαγής ενδείξεων

(1) Επιλογή μονάδας μέτρησης θερμοκρασίας °C/°F

- Για να αλλάξετε τη ρύθμιση, πατήστε το κουμπί [ON/OFF].
 - 1 °C: Χρησιμοποιείται η μονάδα θερμοκρασίας °C.
 - 2 °F: Χρησιμοποιείται η μονάδα θερμοκρασίας °F.

(2) Ρύθμιση ένδειξης θερμοκρασίας εισερχόμενου αέρα

- Για να αλλάξετε τη ρύθμιση, πατήστε το κουμπί [ON/OFF].
 - 1 ON: Εμφανίζεται η θερμοκρασία εισερχόμενου αέρα.
 - 2 OFF: Δεν εμφανίζεται η θερμοκρασία εισερχόμενου αέρα.

(3) Ρύθμιση ένδειξης αυτόματης ψύξης/θέρμανσης

- Για να αλλάξετε τη ρύθμιση, πατήστε το κουμπί [ON/OFF].
 - 1 ON: Εμφανίζεται είτε το "Automatic cooling" (Αυτόματη ψύξη) είτε το "Automatic heating" (Αυτόματη θέρμανση) όταν έχει επιλεγεί η αυτόματη λειτουργία.
 - 2 OFF: Εμφανίζεται μόνο το "Automatic" (Αυτόματη λειτουργία) όταν έχει επιλεγεί η αυτόματη λειτουργία.

8. Επιλογή λειτουργίας

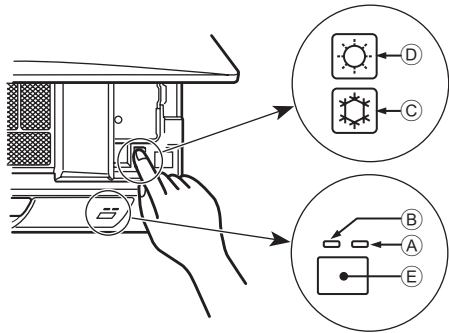
[Πίνακας οθόνης κουκίδων]

Ρύθμιση γλώσσας	Αγγλικά	Γερμανικά	Ισπανικά	Ρώσικα	Ιταλικά	Κινέζικα	Γαλλικά	Ιαπωνικά	
Αναμονή εκκίνησης	PLEASE WAIT	←	←	←	←	←	←	←	
Κατάσταση λειτουργίας	ψύξη	COOL	Kühlen	FRÍO	Холод	COOL	FROID	冷房	
	αφύγρανση	DRY	Trocknen	DESHUMIDIFICACIÓN	Сушка	DRY	DESHU	ドライ	
	θέρμανση	HEAT	Heizen	CALOR	Тепло	HEAT	CHAUD	暖房	
	Αυτόματη	AUTO	AUTO	AUTOMÁTICO	Авто	AUTO	AUTO	自動	
	Αυτόματη (ψύξη)	COOL	Kühlen	FRÍO	Холод	COOL	FROID	冷房	
	Αυτόματη (θέρμανσης)	HEAT	Heizen	CALOR	Тепло	HEAT	CHAUD	暖房	
	ανεμιστήρα	FAN	Lüfter	VENTILACIÓN	ВЕНТ	VENTILAZIONE	送风	VENTILATION	送風
	Εξερισμός	VENTILATION	Gelüftebetrieb	VENTILACIÓN	ВЕНТИЛЯЦИЯ	ARIA ESTERNA	换气	VENTILATION	換気
	Stand by (Αναμονή) Ρύθμιση θέρμανσης	STAND BY	STAND BY	CALENTANDO	ОБОГРЕВ: ПАУЗА	STAND BY	准备中	PRE CHAUFFAGE	準備中
Defrost (Απόψυξη)	DEFROST	Alttauen	DESCONGELACIÓN	ОТТАВЛЕНИЕ	SBRINAMENTO	除霜中	DEGIVRAGE	霜取中	
Καθορισμένη θερμοκρασία	SET TEMP	TEMP einstellen	TEMP. CONSIGNA	ЦЕЛЕВАЯ ТЕМПЕРАТУРА	IMPOSTAZIONE TEMPERATURA	设定温度	REGLAGE TEMPERATURE	設定温度	
Ταχύτητα ανεμιστήρα	FAN SPEED	Lüftergeschwindigkeit	VELOCIDAD VENTILADOR	СКОРОСТЬ ВЕНТИЛЯТОРА	VELOCITA' VENTILATORE	风速	VITESSE DE VENTILATION	風速	
Μη διαθέσιμο κουμπί	NOT AVAILABLE	Nicht verfügbar	NO DISPONIBLE	НЕ ДОСТУПНО	NON DISPONIBILE	无效按钮	NON DISPONIBLE	無効ボタン	
Έλεγχος (Σφάλμα)	CHECK	Prüfen	COMPROBAR	ПРОВЕРКА	CHECK	检查	CONTROLE	点検	
Δοκιμαστική λειτουργία	TEST RUN	Testbetrieb	TEST FUNCIONAMIENTO	ТЕСТОВЫЙ ЗАПУСК	TEST RUN	试运行	TEST	試運転	
Αυτόματος έλεγχος	SELF CHECK	Selbst-diagnose	AUTO REVISIÓN	САМОАВТОНОСТИКА	SELF CHECK	自我诊断	AUTO CONTROLE	自己診断	
Επιλογή λειτουργίας μονάδας	FUNCTION SELECTION	Funktion auswählen	SELECCIÓN DE FUNCIÓN	ВЫБОР ФУНКЦИИ	SELEZIONE FUNZIONI	功能选择	SELECTION FONCTIONS	モード選択	
Ρύθμιση εξερισμού	SETTING OF VENTILATION	Lüfterstufen wählen	CONFIG. VENTILACIÓN	НАСТРОЙКА ВЕНТУСТАЯ	IMPOSTAZIONE ARIA ESTERNA	换气设定	SELECTION VENTILATION	換気設定	

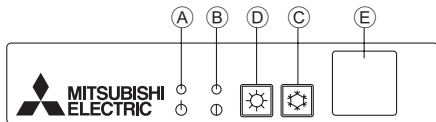
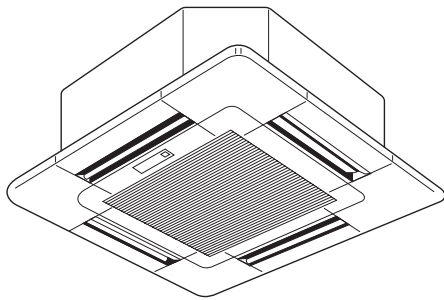
Ρύθμιση γλώσσας	Αγγλικά	Γερμανικά	Ισπανικά	Ρώσικα	Ιταλικά	Κινέζικα	Γαλλικά	Ιαπωνικά
Αλλαγή γλώσσας	CHANGE LANGUAGE	←	←	←	←	←	←	←
Επιλογή λειτουργίας	FUNCTION SELECTION	Funktion auswählen	SELECCIÓN DE FUNCIONES	ВЫБОР ФУНКЦИИ	SELEZIONE FUNZIONI	功能限制	SELECTION FONCTIONS	モード制限
Ρύθμιση ορίου λειτουργίας	LOCKING FUNCTION	Sperre - Funktion	FUNCION BLOQUEADA	ФУНКЦИЯ БЛОКИРОВКИ	BLOCCO FUNZIONI	操作限制	BLOCCAGE FONCTIONS	操作ロック
Χρήση ρύθμισης αυτόματης λειτουργίας	SELECT AUTO MODE	Auswahl autobetrieb	SELECCIÓN MODO AUTO	ВЫБОР РЕЖИМА АВТО	SELEZIONE MODO AUTO	自动模式	SELECTION DU MODO AUTO	自動モード
Ρύθμιση εύρους θερμοκρασίας	LIMIT TEMP FUNCTION	Limit Temp Funktion	LIMIT TEMP CONSIGNA	ОГРАНИЧЕНИЕ УЛТ. ТЕМПЕРАТ	LIMITAZIONE TEMPERATURA	温度限制	LIMITATION TEMPERATURE	温度制限
Όριο θερμοκρασίας ψύξης/ αφύγρανσης	LIMIT TEMP COOL MODE	Limit Kühl Temp	LIMIT TEMP MODO FRÍO	ОГРАНИЧЕНО ОХЛАЖАЕНИЕ	LIMITAZIONE MODO COOL	制冷范围	LIMITE TEMP MODO FROID	制冷房
Όριο θερμοκρασίας θέρμανσης	LIMIT TEMP HEAT MODE	Limit Heiz Temp	LIMIT TEMP MODO CALOR	ОГРАНИЧЕНО ОБОГРЕВ	LIMITAZIONE MODO HEAT	制热范围	LIMITE TEMP MODO CHAUD	制热房
Όριο θερμοκρασίας στην αυτόματη λειτουργία	LIMIT TEMP AUTO MODE	Limit Auto Temp	LIMIT TEMP MODO AUTO	ОГРАНИЧЕНО РЕЖИМ АВТО	LIMITAZIONE MODO AUTO	自动范围	LIMITE TEMP MODO AUTO	制自动
Επιλογή λειτουργίας	MODE SELECTION	Betriebsart wählen	SELECCIÓN DE MODO	ВЫБОР РЕЖИМА	SELEZIONE MODO	基本模式	SELECTION DU MODE	基本モード
Ρύθμιση ΚΥΡΙΟΥ τηλεχειριστηρίου	CONTROLLER MAIN	Haupt controller	CONTROL PRINCIPAL	ОСНОВНОЙ ПУЛЬТ	CONTROLLO MAIN	遙控主	TELCOMMANDE MAITRE	リモコン 主機
Ρύθμιση ΔΕΥΤΕΡΕΥΟΝΤΟΣ τηλεχειριστηρίου	CONTROLLER SUB	Neben controller	CONTROL SECUNDARIO	ДОПОЛНИТЕЛЬНЫЙ ПУЛЬТ	CONTROLLO SUB	遙控辅	TELCOMMANDE ESCLAVE	リモコン 主機
Χρήση της ρύθμισης ρολογιού	CLOCK	Uhr	RELOJ	Часы	OROLOGIO	时钟	AFFICHAGE HORLOGE	時計 300
Ρύθμιση της ημέρας της εβδομάδας και της ώρας	TIME SET +:ENTER	Uhr stellen +:einstellen	CONFIG RELOJ +:CONFIG	Часы: УСТ. +: ВВОД	OROLOGIO +:ENTER	时间 +: ENTER	HORLOGE +:ENTRER	タイムセッテイ +: カクテイ
Ρύθμιση χρονοδιακόπτη	TIMER SET +:ENTER	Zeitschaltuhr +:einstellen	TEMPORIZA - DOR +:CONFIG	Таймер: УСТ. +: ВВОД	TIMER +:ENTER	定时器 +: ENTER	PROG HORAIRE +: ENTRER	タイマーセッテイ +: カクテイ
Παρακολούθηση χρονοδιακόπτη	TIMER MONITOR	Uhrzeit Anzeige	VISUALIZAR TEMPORIZAD.	ПРОСМОТР ТАЙМЕРА	VISUALIZ TIMER	定时器状态	AFFICHAGE PROG HORAIRE	タイマーモニター
Εβδομαδιαίος χρονοδιακόπτης	WEEKLY TIMER	Wochenzeit schalt Uhr	TEMPORIZA - DOR SEMANAL	НЕДЕЛЬНЫЙ ТАЙМЕР	TIMER SETTIMANALE	每周定时器	PROG HEBDO MADAIRE	タイマー 週間
Απενεργοποίηση χρονοδιακόπτη	TIMER MODE OFF	Zeitschaltuhr AUS	TEMPORIZA - DOR APAGADO	Таймер ВЫКЛ.	TIMER OFF	定时器无效	PROG HORAIRE INACTIF	タイマー 無効
Χρονοδιακόπτης αυτόματης απενεργοποίησης	AUTO OFF TIMER	Auto Zeit funktion AUS	APAGADO AUTOMÁTICO	АВТООТКЛЮЧ. ПО ТАЙМЕРУ	AUTO OFF TIMER	解除定时	PROG HORAIRE ARRET AUTO	タイマー/キャンセル ボタン
Απλός χρονοδιακόπτης	SIMPLE TIMER	Einfache Zeitfunktion	TEMPORIZA - DOR SIMPLE	ПРОСТОЙ ТАЙМЕР	TIMER SEMPLIFICATO	简易定时器	PROG HORAIRE SIMPLIFE	タイマー/カンイ
Ρύθμιση αριθμού επικοινωνίας σε περίπτωση εμφάνισης σφάλματος	CALL	←	←	←	←	←	←	←
Αλλαγή κατάστασης οθόνης	DISP MODE SETTING	Anzeige Betriebsart	MOstrar MODO	НАСТРОЙКА МНД. РЕЖИМА	IMPOSTAZIONE MODO DISPLAY	转换表示	AFFICHAGE SOUS MENU	表示切替
Ρύθμιση ένδειξης θερμοκρασίας °C/°F	TEMP MODE °C/°F	Wechsel °C/°F	TEMPGRADOS °C/°F	ЕДИН. ТЕМП. °C/°F	TEMPERATURA °C/°F	温度 °C/°F	TEMPERATURE °C/°F	温度 °C/°F
Ρύθμιση ένδειξης θερμοκρασίας αέρα εισόδου	ROOM TEMP DISP SELECT	Raum Temp zewahl	MOstrar TEMP.	ПОКАЗЫВАТЬ ТЕМП. В КОМ.	TEMPERATURA AMBIENTE	吸入温度	TEMPERATURE AMBIANTE	スリコオド 300
Ρύθμιση ένδειξης αυτόματης λειτουργίας ψύξης/θέρμανσης	AUTO MODE DISP C/H	Auto Betrieb C/H	MOstrar F/C EN AUTO	МНД. Т/Х В РЕЖИМЕ АВТО	AUTO C/H	自动表示	AFFICHAGE AUTO F/C	自動 300

9. Λειτουργία έκτακτου ανάγκης για ασύρματο τηλεχειριστήριο

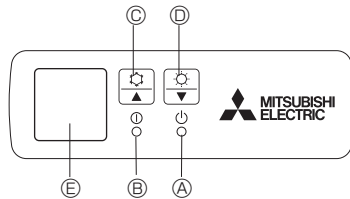
■ PKFY-P-VKM-E



■ PLFY-P-VCM-E2



■ PCFY-P-VKM-E



Όταν δεν μπορείτε να χρησιμοποιήσετε το τηλεχειριστήριο
Όταν οι μπαταρίες του τηλεχειριστηρίου έχουν αδειάσει ή όταν το τηλεχειριστήριο έχει βλάβη, μπορείτε να χρησιμοποιήσετε τα κουμπιά έκτακτης ανάγκης στην μπροστινή πλευρά της μονάδας.

- Ⓐ Φωτεινή ένδειξη DEFROST/STAND BY
- Ⓑ Φωτάκι λειτουργίας
- Ⓒ Διακόπτης έκτακτης ανάγκης ψύξης
- Ⓓ Διακόπτης έκτακτης ανάγκης θέρμανσης
- Ⓔ Δέκτης

Έναρξη λειτουργίας

- Για λειτουργία σε κατάσταση ψύξης, πιέστε το κουμπί ⚙️ Ⓒ για περισσότερα από 2 δευτερόλεπτα.
- Για λειτουργία σε κατάσταση θέρμανσης, πιέστε το κουμπί ⚙️ Ⓓ για περισσότερα από 2 δευτερόλεπτα.
- Όταν ανάβει το φωτάκι λειτουργίας Ⓑ, αυτό σημαίνει ότι ξεκινάει η λειτουργία.

Σημείωση:

- **Λεπτομέρειες για τη λειτουργία έκτακτης ανάγκης (EMERGENCY MODE) δίνονται παρακάτω.**

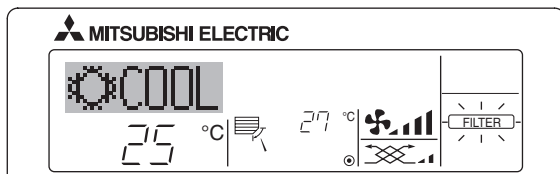
Λεπτομέρειες για τη λειτουργία έκτακτης ανάγκης δίνονται παρακάτω.

Τρόπος λειτουργίας	COOL	HEAT
Καθορισμένη θερμοκρασία	24°C	24°C
Ταχύτητα ανεμιστήρα	Υψηλή	Υψηλή
Κατεύθυνση ροής αέρα	Οριζόντια	Κατακόρυφη 4 (5)

Διακοπή της λειτουργίας

- Για τη διακοπή της λειτουργίας, πιέστε το κουμπί ⚙️ Ⓒ ή το κουμπί ⚙️ Ⓓ για περισσότερο από 2 δευτερόλεπτα.

10. Φροντίδα και καθαρισμός



- Δηλώνει ότι το φίλτρο χρειάζεται καθαρισμό. Καθαρίστε το φίλτρο.
- Για το μηδενισμό της ένδειξης "FILTER"
Όταν πατήσετε το κουμπί [FILTER] δύο φορές διαδοχικά αφού καθαρίσετε το φίλτρο, η ένδειξη σβήνει και μηδενίζεται.

Παρατήρηση:

- Όταν ελέγχονται δύο ή περισσότεροι διαφορετικοί τύποι εσωτερικών μονάδων, η περίοδος καθαρισμού του φίλτρου ποικίλλει ανάλογα με τον τύπο του φίλτρου. Όταν το φίλτρο της κύριας μονάδας χρειάζεται καθαρισμό, η ένδειξη "FILTER" (ΦΙΛΤΡΟ) εμφανίζεται στην οθόνη. Όταν η ένδειξη φίλτρου παύει να εμφανίζεται, ο συνολικός χρόνος μηδενίζεται.
- Η ένδειξη "FILTER" αφορά τον καθαρισμό του φίλτρου όταν το κλιματιστικό χρησιμοποιείται σε φυσιολογικές συνθήκες εσωτερικών χώρων και γίνεται μόνο με χρονικά κριτήρια. Επειδή η βρωμιά του φίλτρου εξαρτάται από τις περιβαλλοντικές συνθήκες, συνιστάται να καθαρίζετε το φίλτρο όποτε είναι απαραίτητο.
- Ο συνολικός χρόνος για τη διάρκεια της περιόδου καθαρισμού του φίλτρου εξαρτάται από το μοντέλο.
- Η ένδειξη αυτή δεν είναι διαθέσιμη για ασύρματο τηλεχειριστήριο.

▶ Καθαρισμός των φίλτρων

- Καθαρίστε τα φίλτρα με ηλεκτρική σκούπα. Αν δεν έχετε ηλεκτρική σκούπα, χτυπήστε ελαφρά τα φίλτρα σε ένα στερεό αντικείμενο για να φύγει η σκόνη και η βρωμιά.
- Αν τα φίλτρα είναι πολύ βρώμικα, πλύντε τα με χλιαρό νερό. Φροντίστε να ξεβγάλετε πολύ καλά το απορρυπαντικό που χρησιμοποιήσατε και αφήστε τα φίλτρα να στεγνώσουν εντελώς πριν τα τοποθετήσετε ξανά στη μονάδα.

⚠ Προσοχή:

- Μην αφήνετε τα φίλτρα να στεγνώσουν στον ήλιο και μη χρησιμοποιείτε πηγή θερμότητας, όπως μια ηλεκτρική θερμάστρα, για να τα στεγνώσετε γιατί υπάρχει κίνδυνος να παραμορφωθούν.
- Μην πλένετε τα φίλτρα με ζεστό νερό (πάνω από 50°C) γιατί μπορεί να παραμορφωθούν.
- Βεβαιωθείτε ότι τα φίλτρα βρίσκονται πάντα στη θέση τους. Η λειτουργία της μονάδας χωρίς φίλτρα αέρα μπορεί να προκαλέσει βλάβη.

⚠ Προσοχή:

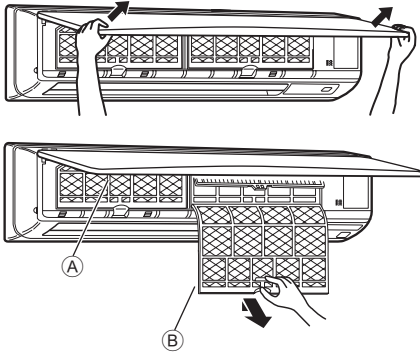
- Πριν αρχίσετε τον καθαρισμό, σταματήστε τη λειτουργία και κλείστε το ρεύμα.
- Οι εσωτερικές μονάδες είναι εφοδιασμένες με φίλτρα για την αφαίρεση της σκόνης από τον εισερχόμενο αέρα. Καθαρίστε τα φίλτρα χρησιμοποιώντας τις μεθόδους που επιδεικνύονται στ' ακόλουθα σκίτσα.

⚠ Προσοχή:

- Κατά την αφαίρεση του φίλτρου, θα πρέπει να πάρετε τις απαραίτητες προφυλάξεις για να προστατέψετε τα μάτια σας από τη σκόνη. Επίσης, εάν χρειαστεί να ανεβείτε σε καρέκλα για να εκτελέσετε την εργασία, προσέξτε να μην πέσετε.
- Όταν αφαιρέσετε το φίλτρο, μην αγγίζετε τα μεταλλικά εξαρτήματα στο εσωτερικό της μονάδας εσωτερικού χώρου, διότι μπορεί να τραυματιστείτε.

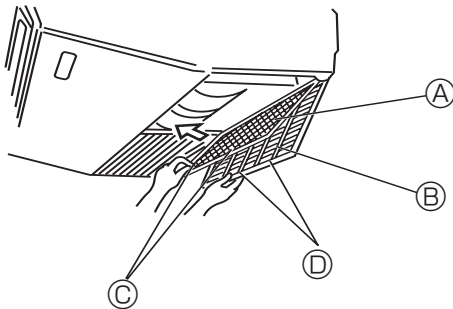
10. Φροντίδα και καθαρισμα

■ PKFY-P-VKM-E



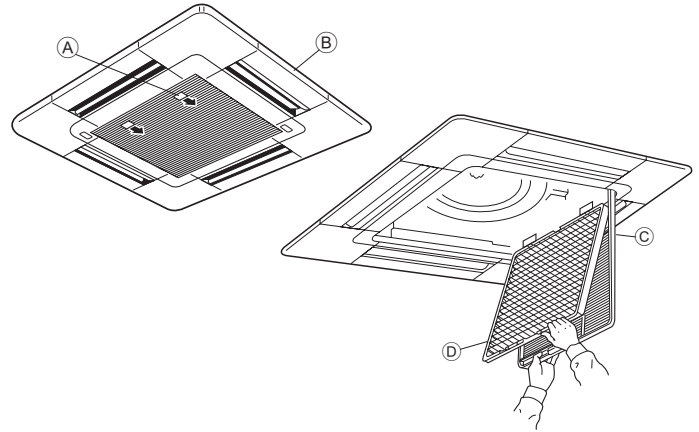
- ① Τραβήξτε και με τα δύο χέρια τις κάτω γωνίες στις γρίλλες εισαγωγής αέρα για να την ανοίξετε και στη συνέχεια σηκώστε το φίλτρο έως ότου ακουστεί ο χαρακτηριστικός ήχος.
 - ② Πιάστε το φίλτρο από τις προεξοχές του, τραβήξτε το προς τα πάνω και στη συνέχεια σπρώξτε το προς τα κάτω. (Οι προεξοχές βρίσκονται σε δύο σημεία, αριστερά και δεξιά.)
- Α Μπροστινή γρίλια
Β Φίλτρο

■ PCFY-P-VKM-E



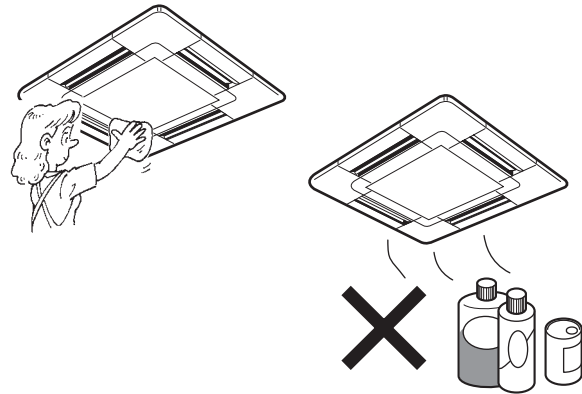
- ① Ανοίξετε τις γρίλλες εισαγωγής του αέρα.
 - ② Πιάστε το φίλτρο από την προεξοχή του και τραβήξτε το προς την κατεύθυνση που δείχνει το βέλος. Όταν ξαναβάζετε το φίλτρο στη θέση του μετά το καθαρισμα, βεβαιώνεστε ότι εισέρχεται μέχρι τον αναστολέα και εφαρμόζει καλά μέσα στην υποδοχή του.
- Α Φίλτρο Β Γρίλλες Εισαγωγής Αέρα © Προεξοχή Φίλτρου Δ Αναστολέας

■ PLFY-P-VCM-E2



- ① Τραβήξτε το κουμπί στη γρίλια εισαγωγής προς την κατεύθυνση που δείχνει το βέλος και θα πρέπει να ανοίξει.
 - ② Ανοίξτε τη γρίλια εισαγωγής.
 - ③ Αφήστε το κουμπί στην κεντρική γωνία της γρίλιας εισαγωγής και τραβήξτε το φίλτρο προς τα εμπρός για να το βγάλετε.
- Α Προεξοχή Φίλτρου
Β Γρίλλες
© Γρίλλες Εισαγωγής Αέρα
Δ Φίλτρο

Καθαρισμός της εσωτερικής μονάδας



- Σκουπίστε την εξωτερική επιφάνεια της μονάδας με ένα καθαρό, στεγνό και μαλακό πανί.
- Καθαρίστε τυχόν λιπαρούς λεκέδες ή αποτυπώματα χρησιμοποιώντας ένα ουδέτερο απορρυπαντικό οικιακής χρήσης (όπως υγρό για τα πιάτα ή απορρυπαντικό πλυντηρίου).

⚠ Προσοχή:

Μην χρησιμοποιείτε βενζίνη, πετρέλαιο, λειαντική σκόνη ή άλλο τύπο μη ουδέτερου απορρυπαντικού, γιατί υπάρχει κίνδυνος οι ουσίες αυτές να καταστρέψουν το περίβλημα της μονάδας.

11. Αντιμετώπιση προβλημάτων

Αντιμετωπίζετε προβλήματα;	Λύση. (Η μονάδα λειτουργεί κανονικά).
Το κλιματιστικό δεν ψύχει ή δεν θερμαίνει καλά.	<ul style="list-style-type: none"> ■ Καθαρίστε το φίλτρο. (Η ροή αέρα μειώνεται όταν το φίλτρο είναι ακάθαρμο ή έχει βουλώσει.) ■ Ελέγξτε τη ρύθμιση της θερμοκρασίας και ρυθμίστε την καθορισμένη θερμοκρασία. ■ Φροντίστε να υπάρχει αρκετός χώρος γύρω από την εξωτερική μονάδα. ■ Μήπως έχει φράξει το στόμιο εισόδου και εξόδου αέρα της μονάδας; ■ Μήπως έχετε αφήσει κάποια πόρτα ή παράθυρο ανοιχτά;
Όταν ξεκινά η λειτουργία θέρμανσης, αργεί να βγει θερμός αέρας από την εσωτερική μονάδα.	<ul style="list-style-type: none"> ■ Η εσωτερική μονάδα δεν βγάζει θερμό αέρα, έως ότου προθερμανθεί επαρκώς.
Κατά τη λειτουργία θέρμανσης, το κλιματιστικό διακόπτει τη λειτουργία του πριν να επιτευχθεί η καθορισμένη θερμοκρασία περιβάλλοντος.	<ul style="list-style-type: none"> ■ Όταν η εξωτερική θερμοκρασία είναι χαμηλή και η υγρασία υψηλή μπορεί να σχηματιστεί πάγος στην εξωτερική μονάδα. Σε αυτή την περίπτωση, η εξωτερική μονάδα εκτελεί λειτουργία απόψυξης. Η κανονική λειτουργία θα πρέπει να ξεκινήσει μετά από περίπου 10 λεπτά.
Η ανοδική/καθοδική κατεύθυνση ροής αέρα αλλάζει κατά τη λειτουργία ή δεν μπορείτε να ορίσετε την ανοδική/καθοδική κατεύθυνση ροής του αέρα.	<ul style="list-style-type: none"> ■ Κατά τη λειτουργία ψύξης, τα πτερύγια τίθενται αυτόματα στην οριζόντια (κάτω) θέση μετά από 1 ώρα όταν έχει ενεργοποιηθεί η καθοδική κατεύθυνση ροής αέρα (οριζόντια) από την επιλογή ανοδικής/καθοδικής κατεύθυνσης ροής αέρα. Αυτό συμβαίνει για την αποφυγή σχηματισμού και πτώσης νερού από τα πτερύγια. ■ Κατά τη λειτουργία θέρμανσης, τα πτερύγια τίθενται αυτόματα στην οριζόντια θέση της ανοδικής/καθοδικής κατεύθυνσης ροής αέρα, όταν η θερμοκρασία είναι χαμηλή ή κατά τη λειτουργία απόψυξης.
Όταν αλλάζει η ανοδική/καθοδική κατεύθυνση ροής αέρα, τα πτερύγια κινούνται πάντα προς τα πάνω και προς τα κάτω διερχόμενα από την καθορισμένη θέση πριν τελικά σταματήσουν σε αυτήν.	<ul style="list-style-type: none"> ■ Όταν αλλάζει η ανοδική/καθοδική κατεύθυνση ροής αέρα, τα πτερύγια μετακινούνται στην καθορισμένη θέση, αφού ανιχνεύσουν τη βασική θέση.
Ακούγεται ήχος ροής νερού ή περιστασιακά ένας συριγμός.	<ul style="list-style-type: none"> ■ Οι ήχοι αυτοί μπορεί να ακουστούν όταν ρέει ψυκτικό μέσο στο κλιματιστικό ή όταν αλλάζει η κατεύθυνση της ροής του ψυκτικού μέσου.
Ακούγεται ήχος σπασίματος ή τριξίματος.	<ul style="list-style-type: none"> ■ Οι ήχοι αυτοί μπορεί να ακουστούν όταν δημιουργούνται τριβές μεταξύ μερών του κλιματιστικού λόγω διαστολής και συστολής εξαιτίας μεταβολών στη θερμοκρασία.
Στο δωμάτιο υπάρχει μια δυσάρεστη οσμή.	<ul style="list-style-type: none"> ■ Η εσωτερική μονάδα αναρροφά αέρα που περιέχει αέρια από τους τοίχους, τον τάπητα και την επίπλωση, καθώς και οσμές που παγιδεύονται στα ρούχα και, στη συνέχεια, αποβάλλει ξανά αυτόν τον αέρα στο δωμάτιο.
Από την εσωτερική μονάδα εξέρχεται λευκή αχλύ ή ατμός.	<ul style="list-style-type: none"> ■ Εάν η εσωτερική θερμοκρασία και η υγρασία είναι υψηλές, αυτό μπορεί να συμβεί κατά την έναρξη της λειτουργίας. ■ Κατά τη λειτουργία απόψυξης, μπορεί να εξέλθει ροή ψυχρού αέρα και να φαίνεται σαν αχλύ.
Από την εξωτερική μονάδα εξέρχεται νερό ή ατμός.	<ul style="list-style-type: none"> ■ Κατά τη λειτουργία ψύξης, ενδέχεται να σχηματιστεί και να τρέξει νερό από τους σωλήνες ψύξης και τους συνδέσμους. ■ Κατά τη λειτουργία θέρμανσης, ενδέχεται να σχηματιστεί και να τρέξει νερό από τον εναλλάκτη θερμότητας. ■ Κατά τη λειτουργία απόψυξης, εξατμίζεται το νερό στον εναλλάκτη θερμότητας και μπορεί να εξέλθει υδρατμός.
Ο δείκτης λειτουργίας δεν εμφανίζεται στην οθόνη του τηλεχειριστηρίου.	<ul style="list-style-type: none"> ■ Ανοίξτε το διακόπτη τροφοδοσίας. Στην οθόνη του τηλεχειριστηρίου θα εμφανιστεί η ένδειξη "●".
Το κλιματιστικό δεν λειτουργεί ακόμα και αν πατήσετε το κουμπί ON/OFF (Ενεργοποίηση/Απενεργοποίηση). Η κατάσταση λειτουργίας δεν εμφανίζεται στο τηλεχειριστήριο.	<ul style="list-style-type: none"> ■ Είναι ανοιχτός ο διακόπτης τροφοδοσίας; Ανοίξτε το διακόπτη τροφοδοσίας.
Στην οθόνη του τηλεχειριστηρίου εμφανίζεται η ένδειξη "☒".	<ul style="list-style-type: none"> ■ Κατά τον κεντρικό έλεγχο, στην οθόνη του τηλεχειριστηρίου εμφανίζεται η ένδειξη "☒" και δεν είναι εφικτή η ενεργοποίηση ή η απενεργοποίηση του κλιματιστικού με το τηλεχειριστήριο.
Όταν θέτετε σε λειτουργία το κλιματιστικό σε σύντομο χρονικό διάστημα αφού το απενεργοποιήσατε, δεν λειτουργεί ακόμη και εάν πατήσετε το κουμπί ON/OFF (Ενεργοποίηση/Απενεργοποίηση).	<ul style="list-style-type: none"> ■ Περιμένετε για τρία περίπου λεπτά. (Η λειτουργία έχει σταματήσει για λόγους προστασίας του κλιματιστικού.)
Το κλιματιστικό λειτουργεί χωρίς να πατηθεί το κουμπί ON/OFF.	<ul style="list-style-type: none"> ■ Έχει ρυθμιστεί ο χρονοδιακόπτης; Πατήστε το κουμπί ON/OFF για να διακόψετε τη λειτουργία. ■ Είναι συνδεδεμένο το κλιματιστικό σε κεντρικό τηλεχειριστήριο; Απευθυνθείτε στους υπευθύνους χειρισμού του κλιματιστικού. ■ Εμφανίζεται η ένδειξη "☒" στην οθόνη του τηλεχειριστηρίου; Απευθυνθείτε στους υπευθύνους χειρισμού του κλιματιστικού. ■ Έχετε ρυθμίσει τη λειτουργία αυτόματης επαναλειτουργίας μετά από διακοπή της τροφοδοσίας; Πατήστε το κουμπί ON/OFF για να διακόψετε τη λειτουργία.
Η λειτουργία του κλιματιστικού διακόπτεται χωρίς να πατηθεί το κουμπί ON/OFF.	<ul style="list-style-type: none"> ■ Έχετε ρυθμίσει τη λειτουργία χρονοδιακόπτη απενεργοποίησης; Πατήστε το κουμπί ON/OFF για να θέσετε ξανά σε λειτουργία το κλιματιστικό. ■ Είναι συνδεδεμένο το κλιματιστικό σε κεντρικό τηλεχειριστήριο; Απευθυνθείτε στους υπευθύνους χειρισμού του κλιματιστικού. ■ Εμφανίζεται η ένδειξη "☒" στην οθόνη του τηλεχειριστηρίου; Απευθυνθείτε στους υπευθύνους χειρισμού του κλιματιστικού.
Δεν είναι εφικτή η ρύθμιση της λειτουργίας χρονοδιακόπτη του τηλεχειριστηρίου.	<ul style="list-style-type: none"> ■ Είναι έγκυρες οι ρυθμίσεις του χρονοδιακόπτη; Εάν είναι εφικτή η ρύθμιση του χρονοδιακόπτη, στην οθόνη του τηλεχειριστηρίου εμφανίζεται η ένδειξη (WEEKLY), (SIMPLE), ή (AUTO OFF).
Στην οθόνη του τηλεχειριστηρίου εμφανίζεται η ένδειξη "PLEASE WAIT" (ΠΑΡΑΚΑΛΩ ΠΕΡΙΜΕΝΕΤΕ).	<ul style="list-style-type: none"> ■ Εκτελούνται οι αρχικές ρυθμίσεις. Περιμένετε για περίπου 3 λεπτά.
Στην οθόνη του τηλεχειριστηρίου εμφανίζεται ένας κωδικός σφάλματος.	<ul style="list-style-type: none"> ■ Έχουν τεθεί σε λειτουργία οι διατάξεις προστασίας για την προστασία του κλιματιστικού. ■ Μην προσπαθήσετε να επισκευάσετε μόνοι σας το κλιματιστικό. Κλείστε αμέσως την τροφοδοσία και απευθυνθείτε στον αντιπρόσωπο της περιοχής σας. Φροντίστε να παράσχετε στον αντιπρόσωπο το όνομα του μοντέλου και τα στοιχεία που εμφανίστηκαν στην οθόνη του τηλεχειριστηρίου.

11. Εντοπισμός βλαβών

Αντιμετωπίζετε προβλήματα;	Λύση. (Η μονάδα λειτουργεί κανονικά).												
Ακούγεται ήχος αποχέτευσης νερού ή περιστροφής κινητήρα.	<ul style="list-style-type: none"> Όταν σταματά η λειτουργία ψύξης, η αντλία αποχέτευσης λειτουργεί και στη συνέχεια σταματά. Περιμένετε για περίπου 3 λεπτά. 												
Η στάθμη θορύβου υπερβαίνει τις προδιαγραφές.	<ul style="list-style-type: none"> Το επίπεδο εσωτερικού θορύβου λειτουργίας επηρεάζεται από την ακουστική του συγκεκριμένου χώρου όπως φαίνεται στον ακόλουθο πίνακα και θα είναι υψηλότερη από τις προδιαγραφές του θορύβου, οι οποίες καθορίστηκαν βάσει μετρήσεων σε χώρο άνευ ήχων. <table border="1"> <thead> <tr> <th></th> <th>Χώροι με υψηλή απορροφητικότητα ήχου</th> <th>Κανονικοί χώροι</th> <th>Χώροι με χαμηλή απορροφητικότητα ήχου</th> </tr> </thead> <tbody> <tr> <td>Παραδείγματα θέσεων τοποθέτησης του κλιματιστικού</td> <td>Στούντιο εκπομπών, χώρος εκτέλεσης μουσικής κτλ.</td> <td>Αίθουσα υποδοχής, προθάλαμος ξενοδοχείου, κτλ.</td> <td>Γραφείο, δωμάτιο ξενοδοχείου</td> </tr> <tr> <td>Επίπεδα θορύβου</td> <td>3 έως 7 dB</td> <td>6 έως 10 dB</td> <td>9 έως 13 dB</td> </tr> </tbody> </table>		Χώροι με υψηλή απορροφητικότητα ήχου	Κανονικοί χώροι	Χώροι με χαμηλή απορροφητικότητα ήχου	Παραδείγματα θέσεων τοποθέτησης του κλιματιστικού	Στούντιο εκπομπών, χώρος εκτέλεσης μουσικής κτλ.	Αίθουσα υποδοχής, προθάλαμος ξενοδοχείου, κτλ.	Γραφείο, δωμάτιο ξενοδοχείου	Επίπεδα θορύβου	3 έως 7 dB	6 έως 10 dB	9 έως 13 dB
	Χώροι με υψηλή απορροφητικότητα ήχου	Κανονικοί χώροι	Χώροι με χαμηλή απορροφητικότητα ήχου										
Παραδείγματα θέσεων τοποθέτησης του κλιματιστικού	Στούντιο εκπομπών, χώρος εκτέλεσης μουσικής κτλ.	Αίθουσα υποδοχής, προθάλαμος ξενοδοχείου, κτλ.	Γραφείο, δωμάτιο ξενοδοχείου										
Επίπεδα θορύβου	3 έως 7 dB	6 έως 10 dB	9 έως 13 dB										
Στην οθόνη του ασύρματου τηλεχειριστηρίου δεν εμφανίζεται καμία ένδειξη, η οθόνη δεν φαίνεται καθαρά ή η εσωτερική μονάδα δεν λαμβάνει σήματα, εκτός εάν το τηλεχειριστήριο χρησιμοποιείται κοντά στη μονάδα.	<ul style="list-style-type: none"> Οι μπαταρίες είναι εξασθενημένες. Αντικαταστήστε τις μπαταρίες και πατήστε το κουμπί Reset (Επανεκκίνηση). Εάν ακόμη και μετά την τοποθέτηση των μπαταριών δεν εμφανιστεί καμία ένδειξη, βεβαιωθείτε ότι έχετε τοποθετήσει τις μπαταρίες με τη σωστή κατεύθυνση (+, -). 												
Αναβοσβήνει η λυχνία λειτουργίας που βρίσκεται κοντά στο δέκτη για το ασύρματο τηλεχειριστήριο της εσωτερικής μονάδας.	<ul style="list-style-type: none"> Η λειτουργία αυτόματου ελέγχου τέθηκε σε λειτουργία για λόγους προστασίας του κλιματιστικού. Μην προσπαθήσετε να επισκευάσετε μόνοι σας το κλιματιστικό. Κλείστε αμέσως την τροφοδοσία και απευθυνθείτε στον αντιπρόσωπο της περιοχής σας. Φροντίστε να παράσχετε στον αντιπρόσωπο το όνομα του μοντέλου. 												
Θερμός αέρας εισέρχεται κατά διαστήματα από την εσωτερική μονάδα όταν είναι απενεργοποιημένη η λειτουργία θέρμανσης ή κατά τη λειτουργία ανεμιστήρα.	<ul style="list-style-type: none"> Όταν μια άλλη εσωτερική μονάδα λειτουργεί σε κατάσταση θέρμανσης, η βαλβίδα ελέγχου ανοιγοκλείνει κατά διαστήματα για τη διατήρηση σταθερής λειτουργίας του συστήματος κλιματισμού. Η λειτουργία αυτή θα σταματήσει μετά από λίγο. * Εάν αυτή η λειτουργία προκαλεί ανεπιθύμητη αύξηση της θερμοκρασίας περιβάλλοντος σε μικρά δωμάτια, σταματήστε προσωρινά τη λειτουργία της εσωτερικής μονάδας. 												

Σειρά εφαρμογής:

Η κλίμακα θερμοκρασιών λειτουργίας τόσο για την εσωτερική όσο και για την εξωτερική μονάδα των μοντέλων της σειράς Y, R2, Multi-S, είναι αυτές του πίνακα παρακάτω.

⚠ Προσοχή:

Η χρήση της μονάδας κλιματισμού εκτός της σειράς λειτουργικής θερμοκρασίας και υγρασίας μπορεί να προκαλέσει σοβαρή βλάβη.

Λειτουργία	Εσωτερική μονάδα	Εξωτερική μονάδα		
		PUHY	PURY	PUMY
Κρύος	15 °C - 24 °C WB	-5 °C - 46 °C DB	-5 °C - 46 °C DB	-5 °C - 46 °C DB
Θερμός αέρας	15 °C - 27 °C DB	-20 °C - 15,5 °C WB	-20 °C - 15,5 °C WB	-15 °C - 15 °C WB

Σημείωμα: Σαν εφαρμόσιμο πρότυπο υγρασίας και για το εσωτερικό και για το εξωτερικό, συνιστούμε τη χρήση εντός της σειράς των 30-80% σχετικής υγρασίας.

⚠ Προειδοποίηση:

Εάν το κλιματιστικό λειτουργεί αλλά δεν ψύχει ούτε θερμαίνει (ανάλογα με το μοντέλο) το χώρο, απευθυνθείτε στον αντιπρόσωπό σας επειδή μπορεί να υπάρχει διαφυγή ψυκτικού αερίου. Μην ξεχνάτε να ρωτάτε τον τεχνικό συντήρησης εάν υπάρχει διαφυγή ψυκτικού όταν εκτελούνται εργασίες επισκευής.

Το ψυκτικό αέριο του κλιματιστικού είναι ασφαλές. Συνήθως, το ψυκτικό αέριο δεν διαφεύγει. Σε αντίθετη όμως περίπτωση, εάν το αέριο που διαφεύγει έρθει σε επαφή με τη φλόγα μιας θερμάστρας υγραερίου, πετρελαίου κτλ., μπορεί να δημιουργηθούν βλαβερές ουσίες.

12. Προδιαγραφές

Μοντέλο		PKFY-P63VKM-E	PKFY-P100VKM-E
Ηλεκτρική παροχή (Τάση<V>/Συχνότητα)	<Hz>	~N/220-230-240/50, 220/60	
Απόδοση (Ψύξης/Θέρμανσης)	<kW>	7,1/8,0	11,2/12,5
Διαστάσεις (Ύψος)	<mm>	365	
Διαστάσεις (Πλάτος)	<mm>	1170	
Διαστάσεις (Βάθος)	<mm>	295	
Καθαρό βάρος	<kg>	22	
Παροχή αέρα ανεμιστήρα (Χαμηλή-Υψηλή)	<m ³ /min>	16-20	20-25
Στάθμη θορύβου (Χαμηλή-Υψηλή)	<dB>	39-43	41-49

Μοντέλο		PLFY-P15VCM-E2	PLFY-P20VCM-E2	PLFY-P25VCM-E2	PLFY-P32VCM-E2	PLFY-P40VCM-E2
Ηλεκτρική παροχή (Τάση<V>/Συχνότητα)	<Hz>	~N/220-230-240/50				
Απόδοση (Ψύξης/Θέρμανσης)	<kW>	1,7/1,9	2,2/2,5	2,8/3,2	3,6/4,0	4,5/5,0
Διαστάσεις (Ύψος)	<mm>	208 (20)				
Διαστάσεις (Πλάτος)	<mm>	570 (650)				
Διαστάσεις (Βάθος)	<mm>	570 (650)				
Καθαρό βάρος	<kg>	15,5 (3)			17,0 (3)	
Παροχή αέρα ανεμιστήρα (Χαμηλή-Μεσαία-Υψηλή)	<m ³ /min>	8-8,5-9	8-9-10		8-9-11	
Στάθμη θορύβου (Χαμηλή-Μεσαία-Υψηλή)	<dB>	28-30-31	28-31-35	28-31-37	29-33-38	30-34-39

Μοντέλο		PCFY-P40VKM-E	PCFY-P63VKM-E	PCFY-P100VKM-E	PCFY-P125VKM-E
Ηλεκτρική παροχή (Τάση<V>/Συχνότητα)	<Hz>	~N /220-230-240/50, 220/60			
Απόδοση (Ψύξης/Θέρμανσης)	<kW>	4,5/5,0	7,1/8,0	11,2/12,5	14,0/16,0
Διαστάσεις (Ύψος)	<mm>	230			
Διαστάσεις (Πλάτος)	<mm>	960	1280	1600	
Διαστάσεις (Βάθος)	<mm>	680			
Καθαρό βάρος	<kg>	24	32	36	38
Παροχή αέρα ανεμιστήρα (Χαμηλή-Μεσαία2-Μεσαία1-Υψηλή)	<m ³ /min>	10-11-12-13	14-15-16-18	21-24-26-28	21-24-27-31
Στάθμη θορύβου (Χαμηλή-Μεσαία2-Μεσαία1-Υψηλή)	<dB>	29-32-34-36	31-33-35-37	36-38-41-43	36-39-42-44

*1 Η απόδοση ψύξης/θέρμανσης δηλώνει τη μέγιστη τιμή όταν το σύστημα λειτουργεί στις παρακάτω συνθήκες.

Ψύξη: Εσωτερική θερμοκρασία 27 °C DB/19 °C WB, Εξωτερική θερμοκρασία 35 °C DB

Θέρμανση: Εσωτερική θερμοκρασία 20 °C DB, Εξωτερική θερμοκρασία 7 °C DB/6 °C WB

*2 Οι αριθμοί μέσα σε παρένθεση () αναφέρονται στο φάτνωμα.

1. Precauções de Segurança	142	7. Outras funções	152
2. Nomes das peças	143	8. Selecção de Função	153
3. Configuração do mostrador	146	9. Funcionamento de emergência para controlo remoto sem fios ...	157
4. Acertar o dia de semana e a hora	146	10. Cuidados e limpeza	157
5. Funcionamento	146	11. Resolução de avarias	159
6. Temporizador	149	12. Especificações	161

1. Precauções de Segurança

- ▶ Antes de instalar a unidade, leia atentamente as “Precauções de segurança”.
- ▶ As “Precauções de segurança” referem aspectos de grande importância relativos à segurança. Observe-os.
- ▶ Reporte-se ou peça autorização à autoridade responsável pelo fornecimento antes de proceder à ligação do sistema.

Símbolos utilizados no texto

⚠ Aviso:

Descreve as precauções a observar para evitar riscos de ferimentos ou morte ao utilizador.

⚠ Cuidado:

Descreve os cuidados a ter para não danificar o aparelho.

Símbolos utilizados nas ilustrações

⊕ : Indica uma peça a ligar à terra.

Nota:
Neste manual de funcionamento, a frase “Controlo remoto com fio” refere-se ao PAR-21MAA.
Caso necessite de alguma informação sobre o outro controlo remoto, consulte o manual de instruções fornecido nestas caixas.

⚠ Aviso:

- Estes aparelhos não estão acessíveis ao grande público.
- O aparelho não deve ser instalado pelo utilizador. Peça ao distribuidor ou a uma empresa autorizada para o instalar. Se o aparelho não for instalado correctamente, pode haver fugas de água, choques eléctricos ou provocar incêndio.
- Não se sente no aparelho nem coloque objectos em cima dele.
- Não derrame água sobre o aparelho e não lhe toque com as mãos. Pode apanhar um choque eléctrico.
- Não vaporize gás combustível perto do aparelho para não provocar incêndio.
- Não ponha um aquecedor a gás nem qualquer outro aparelho com chama viva à saída da descarga de ar do aparelho para não dar origem a combustão defeituosa.
- Não retire o painel frontal nem a protecção da ventoinha da unidade exterior enquanto ela funcionar.
- Nunca repare o aparelho nem o transfira para outro local sem ajuda de alguém.
- Se houver um ruído ou sentir vibração excepcionalmente anormal, pare a unidade, desligue a corrente e contacte o concessionário.
- Nunca meta os dedos, paus, etc. nas saídas ou entradas de ar.
- Se detectar cheiros estranhos, deixe de utilizar o aparelho, desligue o interruptor da alimentação e consulte o seu distribuidor. Não o fazendo, pode causar uma avaria, apanhar um choque eléctrico ou provocar incêndio.

⚠ Cuidado:

- Não utilize objectos pontiagudos para accionar os botões, a fim de não danificar o controlador remoto.
- Nunca bloqueie nem tape as saídas ou entradas de ar da unidade interior ou exterior.
- Nunca limpe o controlo remoto com benzeno, panos de químico diluente, etc.
- Não utilize o aparelho durante um longo período de tempo em alta humidade como, por exemplo, quando deixar uma porta ou janela aberta. No modo de arrefecimento, se o aparelho for utilizado num quarto com alto grau de humidade (humidade relativa de 80% ou mais) durante um longo período de tempo, a água condensada no aparelho de ar condicionado pode gotejar, podendo molhar e estragar os móveis, etc.

- Este aparelho de ar condicionado NÃO se destina a ser utilizado por crianças ou pessoas enfermas sem supervisão.
- Deve ser prestada especial atenção às crianças, para que não brinquem com o aparelho de ar condicionado.
- Se escapar gás refrigerante do sistema ou houver fugas, pare a unidade de ar condicionado, ventile profundamente a peça e contacte o seu concessionário.
- Este aparelho não foi concebido para ser utilizado por indivíduos (incluindo crianças) cujas capacidades físicas, sensoriais ou mentais estão diminuídas ou por indivíduos sem experiência ou conhecimentos, excepto no caso de poderem beneficiar, pelo intermédio da pessoa responsável pela sua segurança, de vigilância ou instruções referentes à utilização do aparelho.
- Ao instalar ou mudar o aparelho de ar condicionado de sítio, utilize apenas o refrigerante especificado (R410A) para carregar as linhas de refrigerante. Não o misture com qualquer outro refrigerante e assegure-se de que não fica ar nas linhas.
Se o ar for misturado com o refrigerante, tal pode causar uma pressão alta anómala na linha do refrigerante, o que pode resultar numa explosão e outros perigos. O uso de qualquer refrigerante diferente do especificado para o sistema causará uma falha mecânica ou avaria do sistema ou falta da unidade. No pior dos casos, isto pode comprometer seriamente a segurança do produto.

- Não toque na palheta da saída de ar superior nem no regulador do volume de saída de ar inferior durante o funcionamento. Caso contrário, pode formar-se condensação e a unidade pode deixar de funcionar.

Arrumação do aparelho

Se necessitar de arrumar o aparelho, consulte o seu distribuidor.

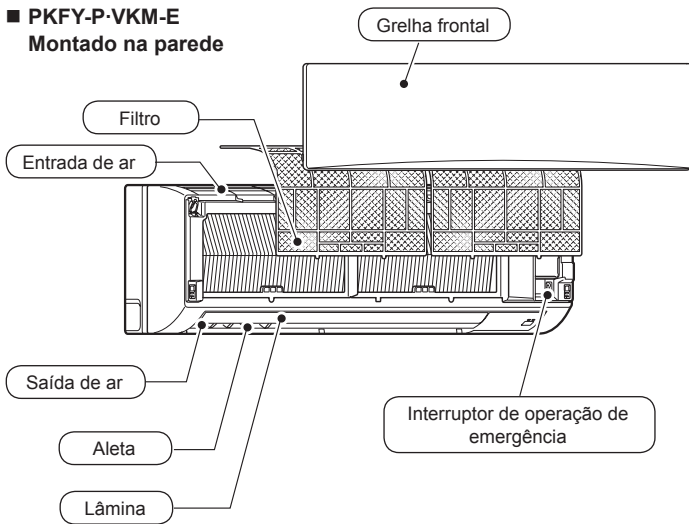
2. Nomes das peças

■ Unidade Interior

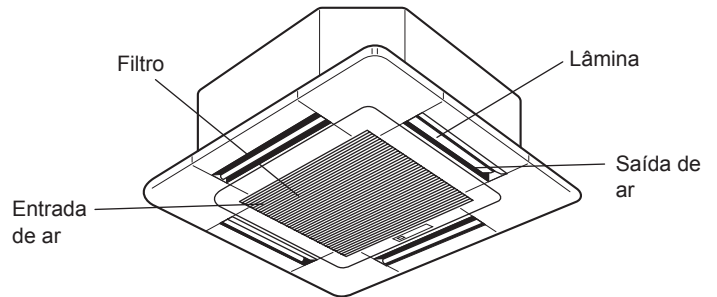
		PKFY-P-VKM-E	PLFY-P-VCM-E2	PCFY-P-VKM-E
Unidade exterior ou interior da ventoinha		2 velocidades	3 velocidades	4 velocidades + Auto*
Lâmina	Fases	4 fases	4 fases	5 fases
	Aleta automática	○	○	○
Aleta		Manual	—	Manual
Filtro		Normal	Longa duração	Longa duração
Indicação de limpeza do filtro		100 horas	2.500 horas	2.500 horas

*Esta operação só está disponível utilizando o controlo remoto que pode definir a velocidade da respectiva Ventoinha para "Auto".

■ PKFY-P-VKM-E Montado na parede

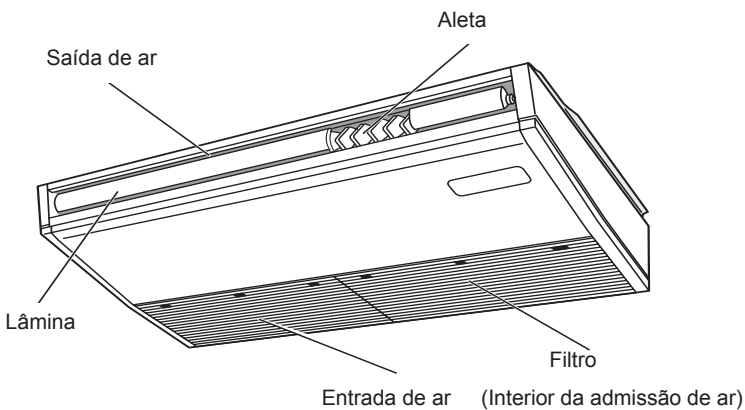


■ PLY-P-VCM-E2 Cassete de montagem no tecto de 4 vias



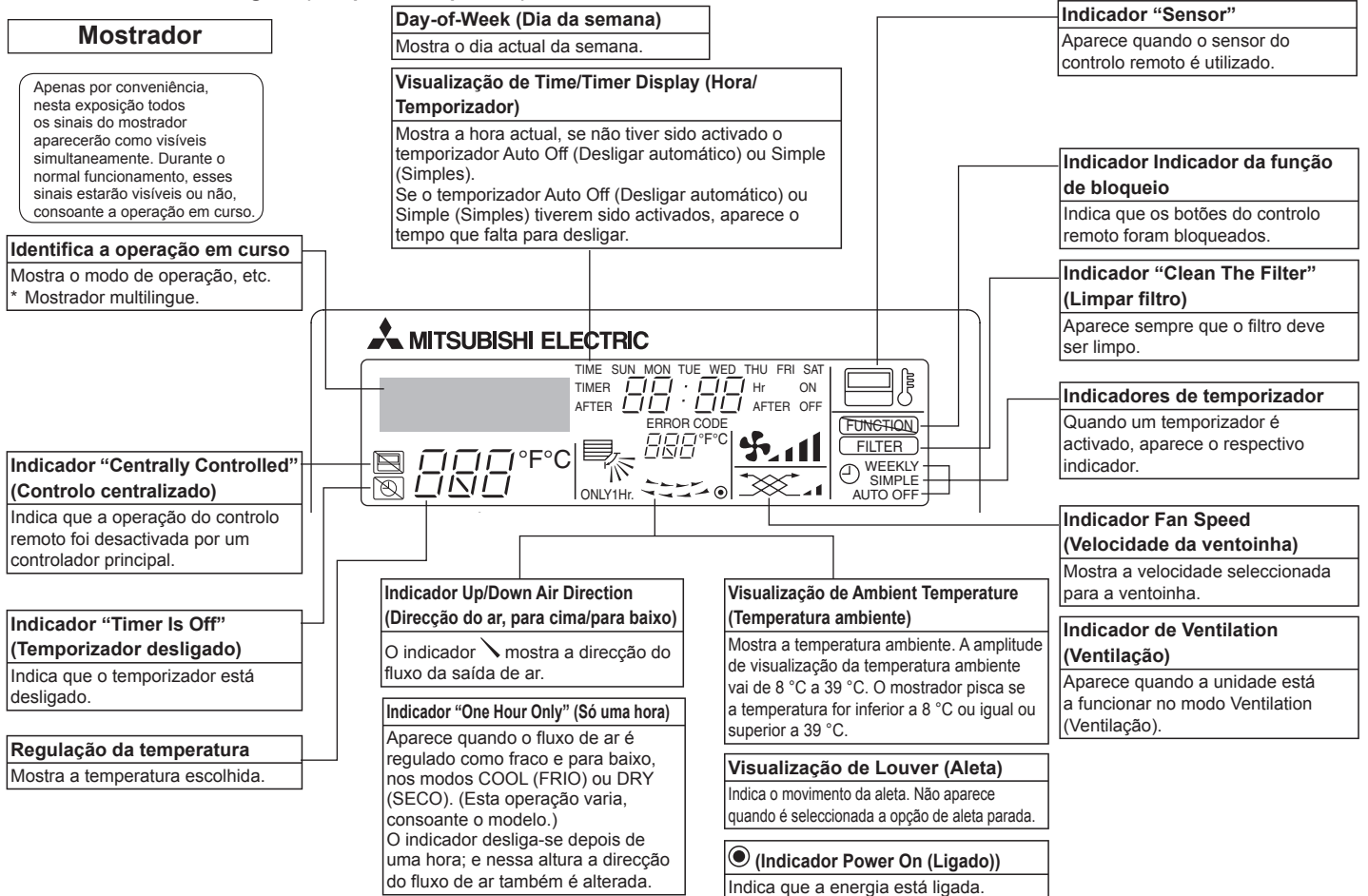
■ PCFY-P-VKM-E

De suspensão no tecto

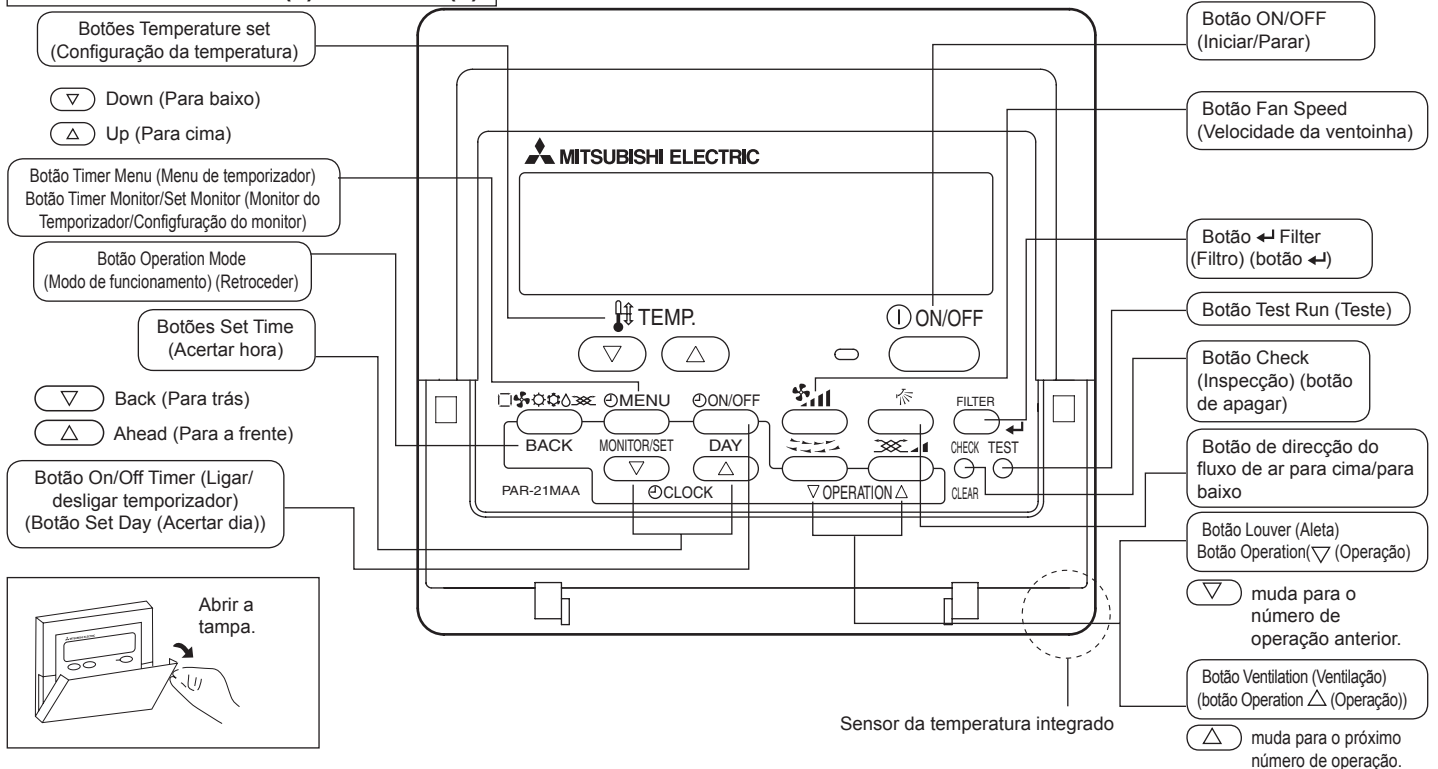


2. Nomes das peças

■ Para controlo remoto ligado (componente opcional)



Sobre o controlo da (s) unidades (s)

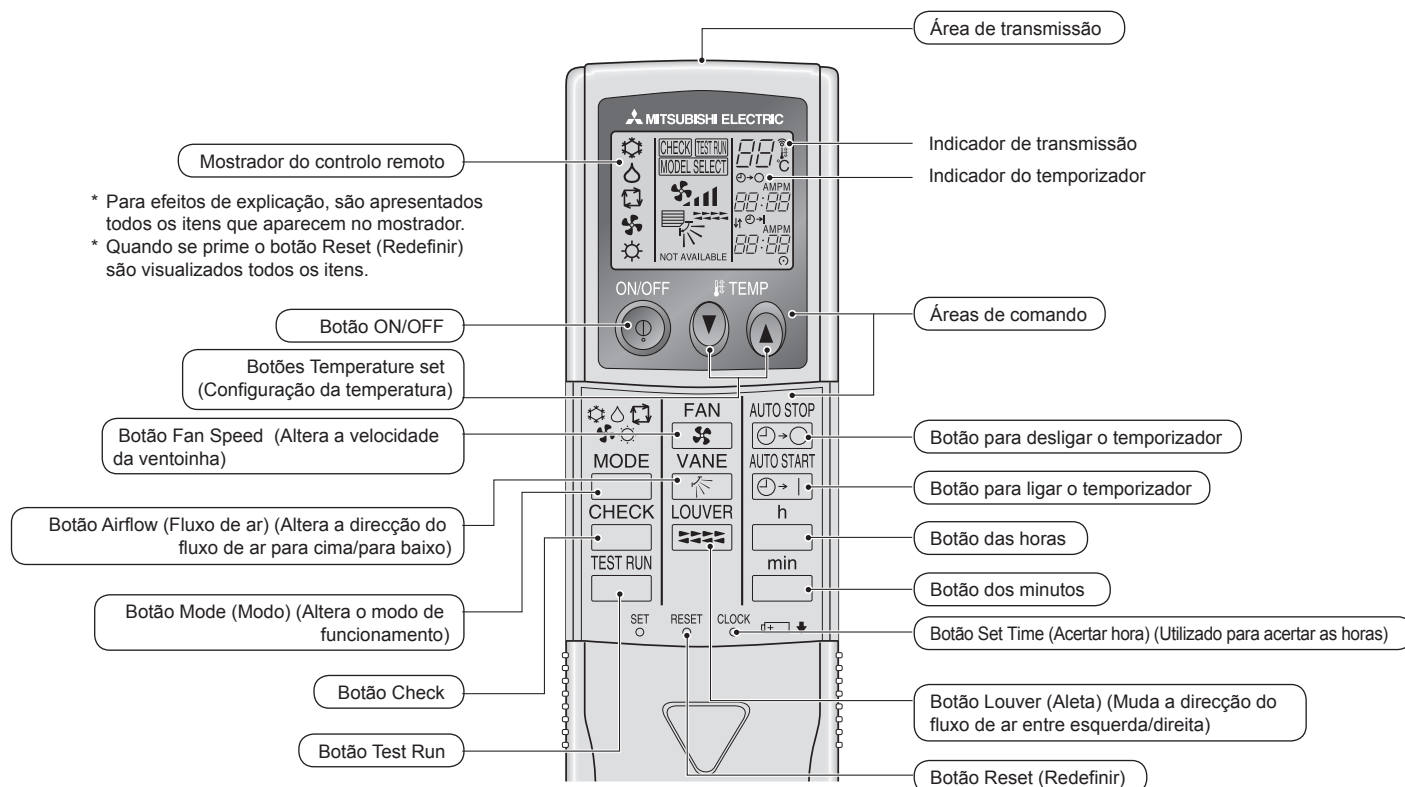


Nota:

- Mensagem "PLEASE WAIT" (AGUARDAR, POR FAVOR)
Esta mensagem é apresentada durante aproximadamente 3 minutos quando liga a unidade interior à corrente.
- Mostrador do modo de operação intermitente
Quando há várias unidades interiores ligadas a uma só unidade exterior e estando seleccionado determinado modo de operação para uma unidade interior, diferente do modo de operação actual de outra unidade interior, o mostrador do modo de operação fica intermitente. Selecciona o mesmo modo de operação da outra unidade interior.
- Mensagem "NOT AVAILABLE" (NÃO DISPONÍVEL)
Esta mensagem é apresentada se premir um botão de uma função não disponível na unidade interior.
Se utilizar um único controlo remoto para simultaneamente controlar várias unidades interiores de modelos diferentes, esta mensagem não será apresentada se uma das unidades interiores possuir a função seleccionada.
- Mostrador da temperatura ambiente
Para determinar a temperatura ambiente, podem ser seleccionados os sensores de temperatura da unidade interior ou do controlo remoto. Os sensores de temperatura da unidade interior são a definição inicial. Quando estão seleccionados os sensores de temperatura da unidade interior para determinar a temperatura ambiente, no controlo remoto que opera várias unidades interiores é mostrada a temperatura ambiente obtida pela unidade interior principal.

2. Nomes das peças

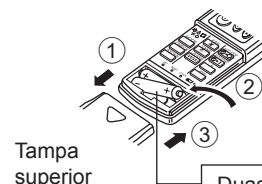
■ Para controlo remoto sem fio (componente opcional)



- Quando utilizar o controlo remoto sem fios, aponte-o em direcção ao receptor da unidade interior.
- Se operar o controlo remoto no espaço de cerca de 2 minutos após ligar a unidade interior, a unidade interior poderá emitir dois sinais sonoros indicando que está a efectuar a verificação automática inicial.
- A unidade interior emite um sinal sonoro para confirmar que recebeu o sinal enviado pelo controlo remoto. A unidade consegue receber sinais emitidos de distâncias até aproximadamente 7 metros da unidade, em linha recta, numa área de 45° à esquerda e à direita da unidade. Contudo, iluminação como por exemplo luzes fluorescentes e luzes fortes pode afectar a capacidade de recepção de sinais da unidade interior.
- Se a luz de funcionamento junto do receptor da unidade interior estiver a piscar isso significa que a unidade necessita de ser inspeccionada. Contacte o vendedor para obter assistência.
- Trate o controlo remoto com cuidado! Não o deixe cair e não o submeta a fortes impactos. Não molhe o controlo remoto e não o deixe em locais com elevada humidade.
- Para evitar perder o controlo remoto, monte o suporte incluído com o controlo remoto numa parede e após a utilização coloque o controlo remoto sempre no respectivo suporte.

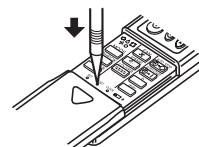
Colocação/substituição de pilhas

1. Retire a tampa superior, introduza duas pilhas AAA e coloque a tampa superior de novo no devido lugar.



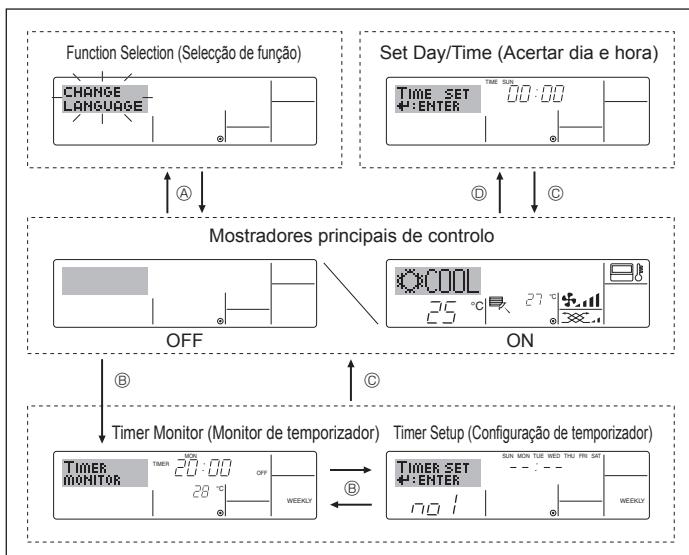
Duas pilhas AAA
Introduza primeiro o pólo negativo (-) de cada pilha. Coloque as pilhas na direcção correcta (+, -)!

2. Prima o botão Reset (Redefinir).



Prima o botão Reset (Redefinir) com um objecto com ponta fina.

3. Configuração do mostrador



<Tipos de mostrador>

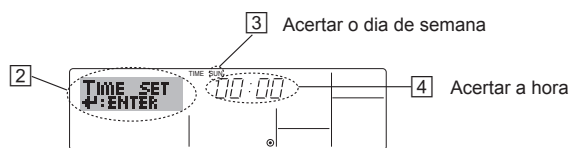
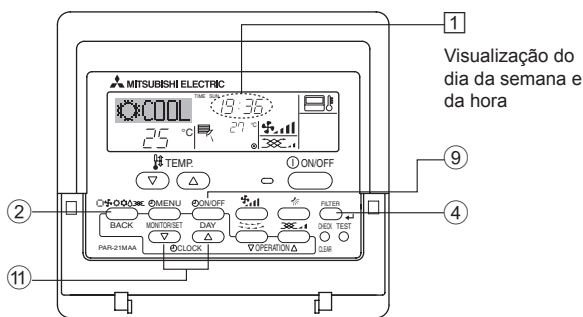
Não é possível definir o português como idioma para visualização. Portanto, será utilizado o inglês, como idioma predefinido, na visualização deste manual.

- **Function Selection (Seleção de função):**
definir funções intervalos de valores no controlo remoto (funções de temporizador, restrições, etc.)
- **Set Day/Time (Acertar dia e hora):**
acertar o dia da semana ou a hora actuais.
- **Mostradores principais de controlo:**
ver e definir o estado da operação do sistema de ar condicionado
- **Timer Monitor (Monitor de temporizador):**
ver o temporizador definido (Weekly (Semanal), Simple (Simples) ou Auto Off (Desligar automático))
- **Configurar temporizador:**
configurar operação para um dos temporizadores (Weekly (Semanal), Simple (Simples) ou Auto Off (Desligar automático))

<Como alterar o mostrador>

- Para ir para **A** : mantenha premido os botões Operation Mode (Modo de funcionamento) e Timer On/Off (Temporizador ligado/desligado) durante 2 segundos.
- Para ir para **B** : prima o botão Timer Menu (Menu de temporizador).
- Para ir para **C** : prima o botão Operation Mode (Modo de funcionamento (Retroceder)).
- Para ir para **D** : prima um dos botões de acertar hora (∇ ou Δ).

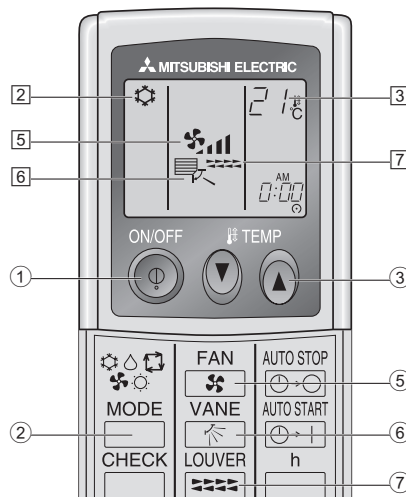
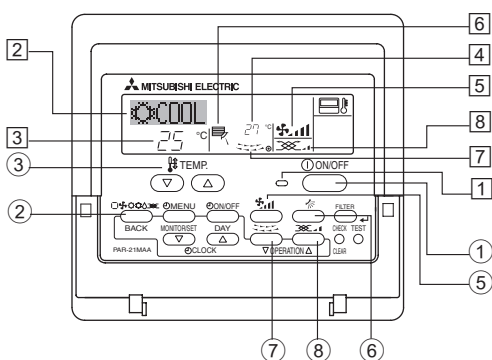
4. Acertar o dia de semana e a hora



Nota:
Se o relógio tiver sido desactivado em Function Selection (Seleção de função) o dia e a hora não aparecem.

1. Prima o botão de Set Time (Acertar hora) ∇ ou Δ **11** para ver a indicação **2**.
2. Prima o botão Timer On/Off (Temporizador ligado/desligado) (Acertar dia) **9** para acertar o dia.
* Cada pressão avança o dia mostrado em **3**: Sun → Mon → ... → Fri → Sat.
3. Prima o botão Set Time (Acertar hora) desejado **11** até acertar a hora.
* Mantendo premido o botão para baixo, a hora (em **4**) será incrementada; primeiro em intervalos de um minuto, depois em intervalos de 10 minutos e, depois, em intervalos de uma hora.
4. Uma vez concluídos os passos 2 e 3 prima o botão Filter **4** para registar os valores definidos.

5. Funcionamento



5.1. Ligar/Desligar

<Para iniciar a operação>

- Prima o botão ON/OFF **1**.
• Acende-se a luz indicadora de ON (LIGADO) **1** e o mostrador acende-se.

Nota:

- Quando a unidade é posta a funcionar, a configuração predefinida é a seguinte.

	Para configurar o controlo remoto		
Modo	Último modo de funcionamento		
Regulação da temperatura	Última configuração da temperatura		
Velocidade da ventoinha	Última configuração da velocidade de ventoinha		
Fluxo do ar para cima/para baixo	Modo	COOL ou DRY	Última configuração
		HEAT	Última configuração
		FAN	Última configuração

<Para parar a operação>

- Prima novamente o botão ON/OFF **1**.
• Acende-se a luz indicadora de ON (LIGADO) **1** e o mostrador apaga-se.

Nota:

Mesmo que prima o botão ON/OFF imediatamente depois de parar a operação em curso, o ar condicionado só retoma o funcionamento após cerca de três minutos. Isso acontece para evitar danos nos componentes internos.

5. Funcionamento

<Para parar a operação>

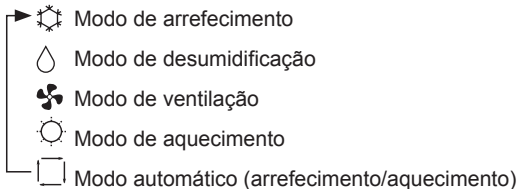
- Prima novamente o botão ON/OFF ①.
 - Acende-se a luz indicadora de ON (LIGADO) ① e o mostrador apaga-se.

Nota:

Mesmo se carregar no botão ON/OFF imediatamente depois de desligar a operação em curso, o ar condicionado não funcionará durante três minutos, para não estragar os componentes internos.

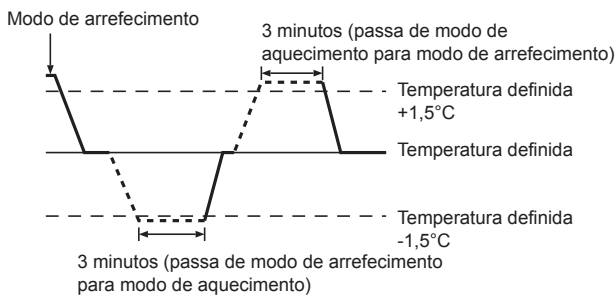
5.2. Selecção do Modo de funcionamento

- Carregue no botão (☀️❄️🌀🌡️) ② do modo de funcionamento e seleccione o modo de funcionamento ③.



Funcionamento automático

- De acordo com uma temperatura definida, a operação de arrefecimento começa se a temperatura ambiente estiver muito elevada e a operação de aquecimento começa se a temperatura ambiente estiver muito baixa.
- Durante o funcionamento automático, se a temperatura ambiente sofrer alterações e permanecer 1,5 °C ou mais acima da temperatura definida durante 3 minutos, o aparelho de ar condicionado liga o modo de arrefecimento. Da mesma forma, se a temperatura ambiente permanecer 1,5 °C ou mais abaixo da temperatura definida durante 3 minutos, o aparelho de ar condicionado liga o modo de aquecimento.



- Devido ao facto de a temperatura ambiente ser automaticamente ajustada para manter uma temperatura efectiva fixa, quando a temperatura é alcançada o arrefecimento é efectuado a alguns graus mais quente e o aquecimento é efectuado a alguns graus mais frio que a temperatura ambiente definida (operação de poupança de energia automática).

5.3. Definição da temperatura

► Para diminuir a temperatura ambiente:

Carregue no botão (◀️) ③ para regular a temperatura desejada. A temperatura seleccionada aparece no visor ③.

► Para aumentar a temperatura ambiente:

Carregue no botão (▶️) ③ para regular a temperatura. A temperatura seleccionada aparece no visor ③.

- As gamas de temperatura disponíveis são:
 - Arrefecimento e secagem: 19 - 30 °C
 - Aquecimento: 17 - 28 °C
 - Automático: 19 - 28 °C
- O mostrador fica intermitente exibindo 8 °C ou 39 °C para o informar se a temperatura ambiente é inferior ou superior à temperatura exibida.

5.4. Definição da velocidade da ventoinha

- Prima o botão Fan Speed (Velocidade da ventoinha) ⑤, quantas vezes forem necessárias e com o sistema a funcionar.
 - Cada pressão resulta numa alteração. O modo seleccionado aparece em ⑤.
 - A sequência da alteração e as funções disponíveis são as seguintes.

Velocidade da ventoinha	Mostrador
Modelo de 2 velocidades	Velocidade 1 → Velocidade 2
Modelo de 3 velocidades	Velocidade 1 → Velocidade 2 → Velocidade 3
Modelo de 4 velocidades + Auto*	Velocidade 1 → Velocidade 2 → Velocidade 3 → Velocidade 4 → Auto

* Apenas para o controlo remoto MA.

É necessária a regulação automática da velocidade da ventoinha para controlo remoto sem fios.

Nota:

- O número de velocidades de ventoinha disponíveis depende do tipo de unidade a que o equipamento estiver associado. Note, no entanto, que algumas unidades não possuem a configuração "Auto".
- Nos seguintes casos, a velocidade da ventoinha na unidade será diferente da que aparece no mostrador do controlo remoto.
 - Quando no mostrador aparece "STAND BY" ("SUSPENSO") ou "DEFROST" ("DESCONGELAR").
 - Quando a temperatura do permutador de calor está baixa no modo de aquecimento (por exemplo, imediatamente após o início da operação de aquecimento).
 - No modo HEAT (CALOR), quando a temperatura ambiente do compartimento é superior à temperatura regulada.
 - Quando a unidade se encontra no modo DRY (SECO).

- Programação da velocidade automática da ventoinha (para controlo remoto sem fio)

É necessário programar o controlo remoto sem fio apenas quando a velocidade automática da ventoinha não está predefinida. Não é necessário programar o controlo remoto com fio quando a velocidade automática da ventoinha está predefinida.

- Prima o botão SET com algo com bico. Realize esta operação quando o visor do controlo remoto estiver desligado.

MODEL SELECT pisca e Model No. acende ④.

- Prima o botão AUTO STOP (🛑) ②.

FAN SPEED pisca e Model No. acende ③.

(Definição n.º 01: sem velocidade automática da ventoinha)

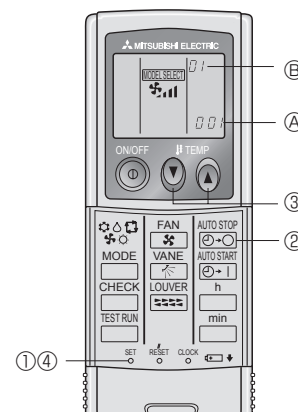
- Prima os botões temp. (🕒) ③ para definir n.º 02.

(Definição n.º 2: sem velocidade automática da ventoinha)

Se tiver cometido algum erro, prima o botão ON/OFF ① e tente novamente a partir do procedimento ②.

- Prima o botão SET com algo com bico.

MODEL SELECT e Model No. ficam iluminados durante 3 segundos e depois são desligados.

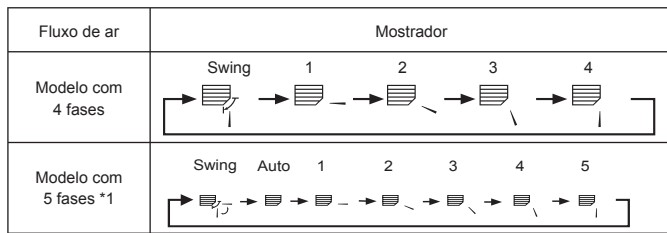


5. Funcionamento

5.5. Direcção do fluxo de ar paracima/para baixo

<Para alterar a direcção do fluxo do ar para cima/para baixo>

- Com a unidade em funcionamento, prima o botão Airflow Up/Down (Direcção do fluxo de ar para cima/para baixo) ⑥ tantas vezes quantas for necessário.
 - Cada pressão resulta numa alteração da direcção. A direcção seleccionada aparece em ⑥.
 - A sequência da alteração e as funções disponíveis são as seguintes.



- * Note que durante o movimento da aleta, a indicação da direcção no mostrador não muda relativamente à sincronia com as lâminas na unidade.
- * Alguns modelos não permitem a regulação da direcção do ar.
- *1 Para o controlador remoto MA apenas, outro controlador remoto apresenta o mesmo que o modelo de 4 passos.
- *2 Definição da direcção do fluxo de ar <Auto>
COOL/FAN/DRY : Definição 1 (Horizontal), HEAT : Definição 5 (Para baixo 5)

Nota:

- As direcções disponíveis dependem do tipo de unidade a que o equipamento está associado. Note também que algumas unidades não têm a opção “Auto”.
- Nos seguintes casos, a direcção do ar será diferente da indicada no mostrador do controlo remoto.
 1. Quando no mostrador aparece “STAND BY” (“SUSPENSO”) ou “DEFROST” (“DESCONGELAR”).
 2. Imediatamente após iniciado o modo de calor (no espaço de tempo em que o sistema espera que a alteração do modo de funcionamento faça efeito).
 3. No modo de calor, quando a temperatura ambiente do compartimento é superior à temperatura regulada.

<[Manual] Para mudar a direcção direita/esquerda do fluxo de ar>

* Não é possível utilizar o botão da aleta ⑦.

■ Modelo PKFY-P·VKM-E

- Pare o funcionamento da unidade, segure na alavanca da aleta e regule para a direcção desejada.
- * Não regule para a direcção interior quando a unidade estiver no modo de arrefecimento ou secagem porque há o risco de se formar condensação e a água pingar.



⚠ Cuidado:

Para evitar quedas, quando estiver a utilizar a unidade mantenha os pés bem assentes do chão.

5.6. Ventilação

► Para combinação com LOSSNAY

5.6.1. Para controlo remoto ligado

- Para pôr o ventilador a funcionar com a unidade interior:
 - Prima o botão ON/OFF ①.
 - Aparece o indicador “Vent” (em ⑧). O ventilador funcionará automaticamente, sempre que a unidade interior estiver a funcionar.
- Para por o ventilador a funcionar só quando a unidade estiver desligada:
 - Prima o botão Ventilation (Ventilação) ⑨, com a unidade interior desligada.
 - A lâmpada indicadora de ligado (em ⑩) e a indicação Ventilation (em ⑧) acendem-se.
- Para alterar a velocidade do ventilador:
 - Prima o botão Ventilation (Ventilação) ⑨, tantas vezes quantas forem necessárias.
 - Cada pressão alterna o valor definido, tal como mostrado em baixo.



Nota:

- Em algumas configurações, a ventoinha na unidade interior pode acender-se, mesmo quando o ventilador está configurado para funcionar independentemente.

6. Temporizador

6.1. Para controlo remoto ligado

Em Function Selection (Seleção de função) pode seleccionar qual dos três tipos de temporizador pretende utilizar. ① Temporizador Weekly (Semanal), ② temporizador Simple (Simples) ou ③ temporizador Auto Off (Desligar automaticamente).

6.1.1. Weekly Timer (Temporizador semanal)

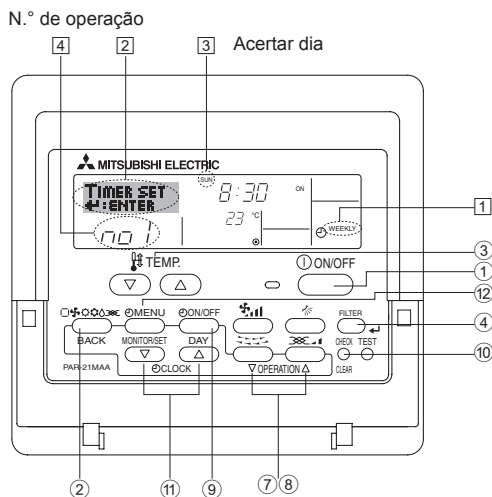
- O temporizador semanal pode ser utilizado para definir até oito operações para cada dia da semana.
 - Cada operação pode consistir no seguinte: Tempo para ON/OFF (LIGADO/DESLIGADO) e temperatura, só tempo para ON/OFF (LIGADO/DESLIGADO) ou só temperatura.
 - Quando chega a hora definida para o temporizador, o ar condicionado executa a acção programada.
- A hora definida para este temporizador é de 1 minuto.

Nota:

*1. Os temporizadores Simple (Simples) e Auto Off (Desligar automático) não podem ser utilizados ao mesmo tempo.

*2. O temporizador semanal não funciona quando se verifica uma das seguintes condições.

A funcionalidade de temporizador está desligada; o sistema está a funcionar de uma forma anormal; está a ser executado um teste; o controlo remoto está a efectuar um auto-diagnóstico; o utilizador está a configurar uma funcionalidade; o utilizador está a configurar o temporizador; o utilizador está a acertar o dia de semana ou a hora; o sistema está sob o controlo da unidade principal. (Mais precisamente, o sistema não executará operações (ligar unidade, desligar unidade, regular temperatura) que, nessas condições, são desligadas.)



<Como configurar o temporizador semanal>

1. Certifique-se de que o mostrador é um mostrador inicial de controlo e que o indicador de temporizador semanal ① aparece no mostrador.
2. Prima o botão Timer Menu (Menu de temporizador) ②, para aparecer "Set Up" (Configuração) no mostrador (em ②). (Note que cada pressão no botão alterna o mostrador entre "Set Up" (Configuração) e "Monitor".)
3. Prima o botão Timer On/Off (Set Day (Acertar dia)) ③ para acertar o dia. Cada pressão avança o mostrador em ③ para o valor seguinte, na seguinte sequência: "Sun (Dom) Mon (Seg) Tues (Ter) Wed (Qua) Thurs (Qui) Fri (Sex) Sat (Sab)" → "Sun" ("Dom") → ... → "Fri" ("Sex") → "Sat" ("Sáb") → "Sun (Dom) Mon (Seg) Tues (Ter) Wed (Qua) Thurs (Qui) Fri (Sex) Sat (Sáb)" ...
4. Prima o botão Operation Mode (Modo de funcionamento) ▽ ou △ (④ ou ⑤) quantas vezes forem necessárias para seleccionar o número de operação apropriado (de 1 a 8) ④.
 - * Os valores que introduzir nos passos 3 e 4 seleccionarão uma das células da matriz mostrada em baixo. (O mostrador do controlo remoto à esquerda é o exemplo Operação 1 para Domingo, com os respectivos valores.)

Matriz de

N.º Op.	Domingo	Segunda-feira	...	Sábado
N.º 1	• 8:30 • ON • 23 °C			
N.º 2	• 10:00 • OFF	• 10:00 • OFF	• 10:00 • OFF	• 10:00 • OFF
...				
N.º 8				

<Configuração de Operação 1 para Domingo>
Pôr o ar condicionado a funcionar à 8:30, à temperatura de 23 °C.

<Configuração de Operação 2 para todos os dias>
Desligar o ar condicionado às 10:00.

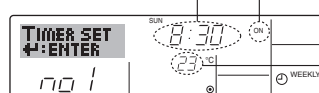
Nota:

Ao definir o dia como "Sun Mon Tues Wed Thurs Fri Sat (Dom Seg Ter Qua Qui Sex Sab)", está a determinar que a operação seleccionada deve ser efectuada todos os dias.

(Exemplo: Operação 2, em cima; a mesma programação para todos os dias da semana.)

<Configurar o temporizador semanal>

Mostra a configuração da hora ⑤ ⑥ Mostra a operação seleccionada (ON (LIGADO) ou OFF (DESLIGADO))
* Não aparece, se a operação não tiver sido definida.



Mostra a temperatura definida ⑦
* Não aparece, se a temperatura não tiver sido definida.

5. Prima o botão Set Time (Acertar hora) ⑤ quantas vezes forem necessárias para definir a hora desejada (em ⑤).
 - * Ao premir o botão para baixo, o temporizador é primeiro incrementado em intervalos de um minuto e depois em intervalos de uma hora.
6. Prima o botão ON/OFF ⑥ para seleccionar a operação desejada (Ligar ou Desligar), em ⑥.
 - * Cada pressão muda para o valor seguinte, nesta sequência: sem visualização (sem configuração) → "ON" → "OFF"

6. Temporizador

7. Prima o botão Set Temperature (Regular temperatura) ③ quantas vezes forem necessárias para definir a temperatura desejada (em ⑦).

* Cada pressão muda para o valor seguinte, nesta sequência: sem visualização (sem configuração) ⇔ 24 ⇔ 25 ⇔ ... ⇔ 29 ⇔ 30 ⇔ 12 ⇔ ... ⇔ 23 ⇔ sem visualização.

(Intervalo disponível: o intervalo de valores para esta definição é de 12 °C a 30 °C. O intervalo de valores para regulação, no entanto, varia consoante o tipo da unidade a que o equipamento estiver associado.)

8. Uma vez concluídos os passos 5, 6 e 7 prima o botão Filter ④ (Filtro) ④ para registar os valores definidos.

Para apagar os valores definidos para a operação seleccionada, prima e solte rapidamente uma vez o botão Check (Clear) (Inspeção (Apagar)) ⑩.

* A hora muda para “—:—”, a definição On/Off e as regulações da temperatura desaparecem.

(Para apagar todas as definições no temporizador semanal de uma só vez, prima e mantenha premido o botão Check (Clear) (Inspeção (Apagar)) ⑩, durante 2 segundos ou mais. O mostrador começa a piscar, indicando que todas as definições foram apagadas.)

Nota:

Os novos valores introduzidos serão cancelados se premir o botão Operation Mode (Modo de funcionamento) (Retroceder) ② antes de premir o botão Filter ④ (Filtro) ④.

Se tiver definido duas ou mais operações diferentes para exactamente a mesma hora, apenas a operação com o Operation No. (N.º de Operação) mais elevado será executada.

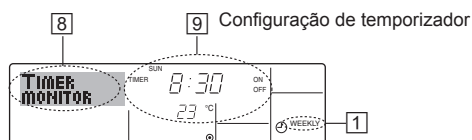
9. Repita os passos de 3 a 8 quantas vezes forem necessárias, para preencher as células que desejar.

10. Prima o botão Operation Mode (Modo de funcionamento) (Retroceder) ② para concluir o processo de configuração.

11. Para activar o temporizador, prima o botão Timer On/Off (Temporizador ligar/desligar) ⑨, para que a indicação “Timer Off” desapareça. **Espera que a indicação “Timer Off” desapareça do mostrador.**

* Se não existirem definições de temporizador, a indicação “Timer Off” (“Temporizador desligado”) começa a piscar no mostrador.

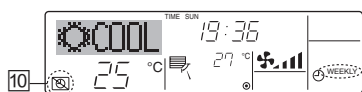
<Como ver as definições no temporizador semanal>



1. Certifique-se de que o indicador de temporizador semanal está visível (em ①).
2. Prima o botão do menu de temporizador ② para aparecer no mostrador a indicação “Monitor” (em ⑧).
3. Prima o botão Timer On/Off (Ligar/desligar temporizador) (Set Day) (Acertar dia) ⑨ as vezes que forem necessárias até seleccionar o dia que deseja ver.
4. Prima o botão do modo de funcionamento ∇ ou Δ (⑦ ou ⑧) tantas vezes quantas forem necessárias para alterar a operação no mostrador (em ⑨).
 - * Cada pressão avançará para a operação seguinte, pela ordem cronológica definida.
5. Para fechar o monitor e voltar ao mostrador inicial de controlo, prima o botão Operation Mode (Modo de funcionamento) (Retroceder) ②.

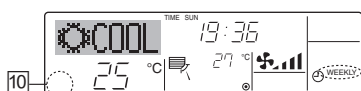
<Para desligar o temporizador semanal>

Prima o botão Timer On/Off (Ligar/desligar temporizador) ⑨ para que apareça a indicação “Timer Off” (Temporizador desligado) em ⑩.



<Para ligar o temporizador semanal>

Prima o botão Timer On/Off (Ligar/desligar temporizador) ⑨ para que a indicação “Timer Off” (Temporizador desligado) (em ⑩) se apague.



6.1.2. Simple Timer (Temporizador simples)

■ Pode utilizar o temporizador simples de três formas.

- Só hora de início:
 - o ar condicionado começa a funcionar na hora programada.
- Só hora de parar:
 - o ar condicionado pára de funcionar na hora programada.
- Horas de início e de parar:
 - o ar condicionado começa a funcionar e pára na hora programada.

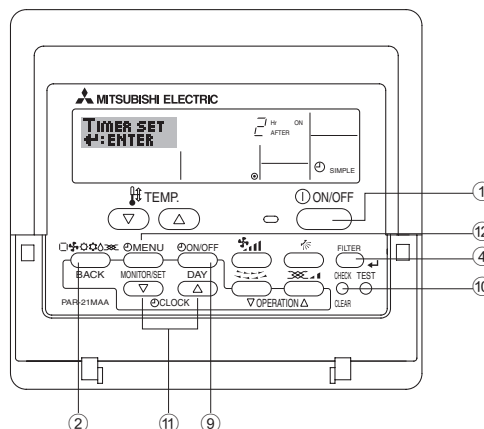
■ O temporizador (iniciar e parar) simples só pode ser configurado de 72 em 72 horas. A hora é acertada em incrementos de uma hora.

Nota:

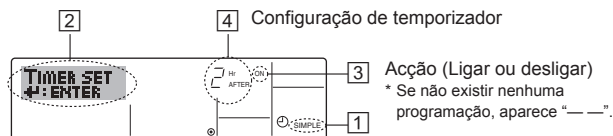
*1. Os temporizadores Simple (Simples) e Auto Off (Desligar automático) não podem ser utilizados ao mesmo tempo.

*2. O temporizador simples não funciona quando se verifica uma das seguintes condições.

Quando a função de temporizador está desligada, quando o sistema está a funcionar de forma anormal, durante um teste, durante uma auto-verificação ou diagnóstico do controlo remoto, ou quando o sistema se encontra sob controlo central. (Nestas condições, a operação “Ligar/Desligar” é desactivada.)



<Como configurar o temporizador simples>



1. Certifique-se de que o mostrador é um mostrador inicial de controlo e que aparece o indicador de temporizador simples (em ①). Quando aparece uma indicação diferente de Simple Timer (Temporizador Simples), active SIMPLE TIMER utilizando a selecção de função (consulte 8.[4]-3 (3)) da programação da função de temporizador.
2. Prima o botão Timer Menu (Menu de temporizador) ②, para aparecer “Set Up” (Configuração) no mostrador (em ②). (Note que cada pressão no botão altera o mostrador entre “Set Up” (Configuração) e “Monitor”.)
3. Prima o botão ON/OFF ① para ver a definição actual ON (LIGAR) ou OFF (DESLIGAR) no temporizador simples. Prima o botão uma vez para ver o tempo que falta para ON (LIGAR), e prima mais uma vez para ver o tempo que falta para OFF (DESLIGAR). (Aparece a indicação ON/OFF (LIGAR/DESLIGAR) em ③).
 - Temporizador “ON” (LIGAR):
 - o ar condicionado começará a funcionar quando tiver passado o número de horas programado.
 - Temporizador “OFF” (DESLIGAR):
 - o ar condicionado parará de funcionar quando tiver passado o número de horas programado.
4. Com “ON” (LIGAR) ou “OFF” (DESLIGAR) visível em ③: Prima o botão Set Time (Configurar temporizador) ⑩ tantas vezes quantas forem necessárias para acertar as horas para ON (LIGAR) (se estiver visível o indicador “ON”) ou as horas para OFF (DESLIGAR), (se estiver visível o indicador “OFF” em ④).
 - Intervalo disponível: de 1 a 72 horas
5. Para programar horas para ON (LIGAR) e OFF (DESLIGAR), repita os passos 3 e 4.
 - * Note que as horas para ON (LIGAR) e OFF (DESLIGAR) não podem ser programadas com o mesmo valor.
6. Para apagar a programação para ON ou OFF: Veja a hora programada para ON ou OFF (ver passo 3) e prima o botão Check (Verificar) (Apagar) ⑩ para que a hora apareça como “—” em ④. (Se desejar utilizar apenas a programação ON, certifique-se de que a outra opção aparece como “—”.)

6. Temporizador

7. Depois de concluir os passos de 3 a 6 em cima, prima o botão Filter ↵ (Filtro) ④ para registar o novo valor.

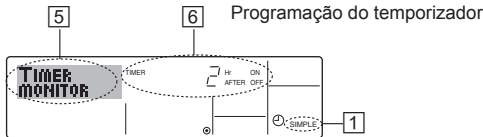
Nota:

Se desejar cancelar os novos valores introduzidos prima o botão Operation Mode (Modo de funcionamento) (Retroceder) ② antes de premir o botão Filter ↵ (Filtro) ④.

8. Prima o botão Operation Mode (Modo de funcionamento) (Retroceder) ② para voltar ao mostrador inicial de controlo.

9. Prima o botão Timer On/Off (Ligar/desligar temporizador) ⑨ para iniciar a contagem decrescente do temporizador. Quando o temporizador está a funcionar, a contagem aparece no mostrador. **Certifique-se de que esse valor está correcto.**

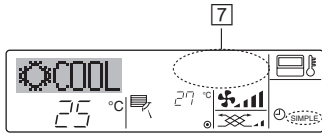
<Para ver a programação actual do temporizador simples>



1. Certifique-se de que o indicador do temporizador simples está visível (em ①).
2. Prima o botão Timer Menu (Menu de temporizador) ⑩, para que apareça no mostrador a indicação "Monitor" (em ⑤).
 - Se estiver em execução o temporizador simples para ON (LIGAR) ou OFF (DESLIGAR), a programação aparece em ⑥.
 - Se tiverem sido definidos valores para ON (LIGAR) e OFF (DESLIGAR), estes aparecerão alternadamente.
3. Prima o botão Operation Mode (Modo de funcionamento) (Retroceder) ② para fechar o mostrador de monitor e voltar ao mostrador inicial de controlo.

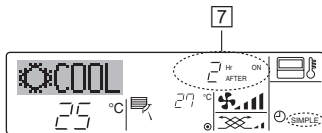
<Para desligar o temporizador simples...>

Prima o botão Timer On/Off (Ligar/desligar temporizador) ⑨, para apagar a programação do mostrador (em ⑦).



<Para iniciar o temporizador simples...>

Prima o botão Timer On/Off (Ligar/desligar temporizador) ⑨ para que a programação apareça em ⑦.

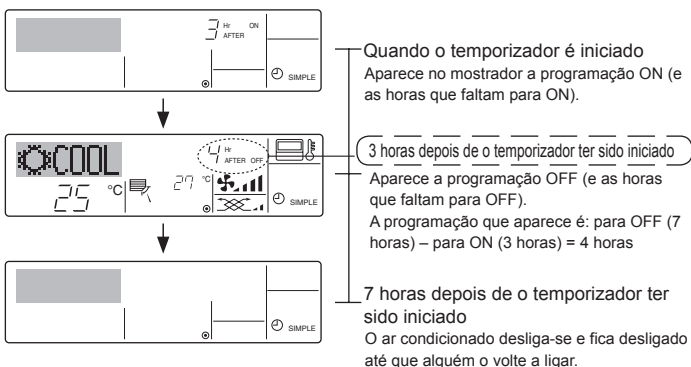


Exemplos

Se tiverem sido programados ON (LIGAR) e OFF (DESLIGAR) no temporizador simples, a operação e os respectivos valores aparecem por baixo.

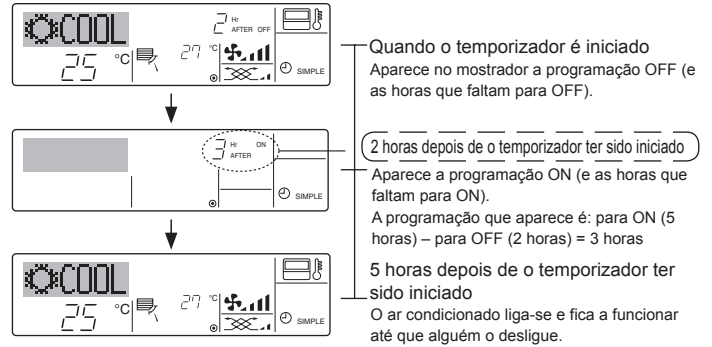
Exemplo 1:

Inicie o temporizador com a programação ON anterior à programação OFF
 Programação ON: 3 horas
 Programação OFF: 7 horas



Exemplo 2:

Inicie o temporizador a programação OFF anterior à programação ON
 Programação ON: 5 horas
 Programação OFF: 2 horas

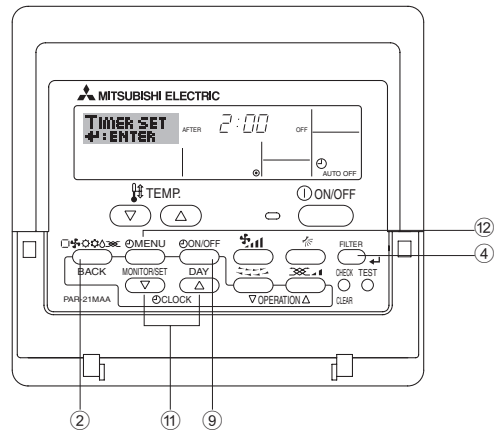


6.1.3. Auto Off Timer (Temporizador para desligar automaticamente)

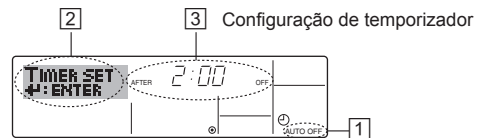
- Este temporizador inicia a contagem decrescente quando o ar condicionado começa a funcionar e desliga-o depois do tempo programado.
- As definições disponíveis são executadas de 30 minutos a 4 horas, em intervalos de 30 minutos.

Nota:

- *1. Os temporizadores Simple (Simples) e Auto Off (Desligar automático) não podem ser utilizados ao mesmo tempo.
- *2. O temporizador Auto Off (Desligar automático) não funciona quando se verifica uma das seguintes condições. Quando a função de temporizador está desligada, quando o sistema está a funcionar de forma anormal, durante um teste, durante uma auto-verificação ou diagnóstico do controlo remoto, ou quando o sistema se encontra sob controlo central. (Nestas condições, a operação Ligar/Desligar é desactivada.)



<Como configurar o temporizador Auto Off (Desligar automático)>



1. Certifique-se de que o mostrador é um mostrador principal de controlo e que a indicação Auto Off (Desligar automático) aparece no mostrador (em ①). Quando aparece uma indicação diferente de Auto Off Timer (Temporizador Desligar automático), active AUTO OFF TIMER utilizando a selecção de função (consulte 8.[4]-3 (3)) da programação da função de temporizador.
2. Prima e mantenha premido o botão do menu de temporizador ⑩ durante **3 segundos**, para que apareça "Set Up" "Configuração" no mostrador (em ②). (Note que cada pressão no botão alterna o mostrador entre "Set Up" (Configuração) e "Monitor".)
3. Prima o botão Set Time (Acertar hora) ⑪ quantas vezes forem necessárias para definir a hora para OFF (em ③).
4. Prima o botão Filter ↵ (Filtro) ④ para registar o valor.

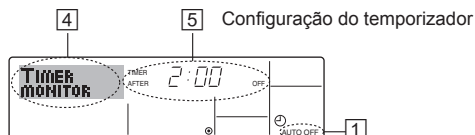
Nota:

Se desejar cancelar o valor prima o botão Operation Mode (Modo de funcionamento) (Retroceder) ② antes de premir o botão Filtro ↵ (Filtro) ④.

5. Prima o botão Operation Mode (Modo de funcionamento) (Retroceder) ② para concluir o processo de configuração e voltar ao mostrador inicial de controlo.
6. Se o ar condicionado já estiver a funcionar, o temporizador inicia imediatamente a contagem decrescente. **Certifique-se de que a contagem no mostrador está correcta.**

6. Temporizador

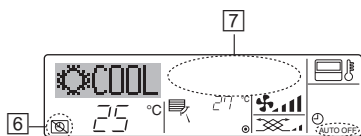
<Para ver a programação actual do temporizador Auto Off (Desligar automático)>



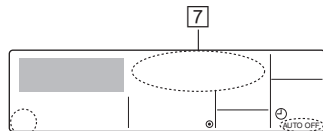
1. Certifique-se de que aparece no mostrador a indicação “Auto Off” (Desligar automático) (em 1).
2. Prima e mantenha premido o botão do menu de temporizador 2 durante **3 segundos**, para aparecer a indicação “Monitor” no mostrador (em 4).
 - Aparece o tempo que falta para desligar em 5.
3. Para fechar o monitor e voltar ao mostrador inicial de controlo, prima o botão Operation Mode (Modo de funcionamento) (Retroceder) 2.

<Para desligar o temporizador Auto Off (Desligar automático)...>

- Prima e mantenha premido o botão Timer On/Off (Ligar/desligar temporizador) 9 durante **3 segundos**, para que apareça a indicação Timer Off (Desligar temporizador) (em 6) e a programação do temporizador (em 7) desapareça.

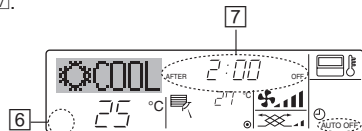


- Ou então, desligue o ar condicionado. A programação do temporizador (em 7) desaparece do mostrador.



<Para iniciar o temporizador Auto Off (Desligar automático)...>

- Prima e mantenha premido o botão Timer On/Off (Ligar/desligar temporizador) 9 durante **3 segundos**. A indicação Timer Off (Desligar temporizador) desaparece (em 6) e o temporizador acende-se (em 7).
- Ou então, ligue o ar condicionado. A programação do temporizador aparece em 7.



7. Outras funções

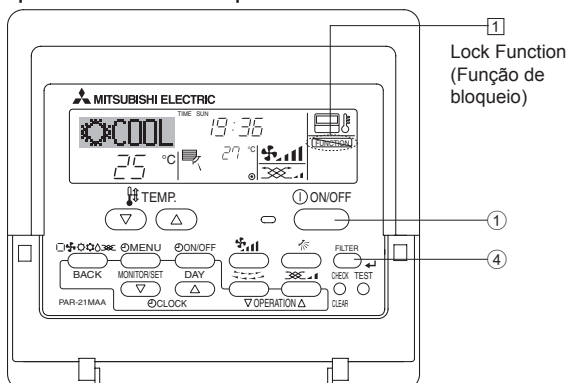
7.1. Bloquear os botões do controlo remoto (limitação de operações)

- Se pretender, pode bloquear os botões do controlo remoto. Pode utilizar Function Selection (Seleção de função) do controlo remoto para seleccionar o tipo de função de bloqueio a utilizar. (Para obter informações acerca de como desactivar o bloqueio consulte, na secção 8, o item [4]-2 (1)). Especificamente, pode utilizar uma destas duas funções de bloqueio.

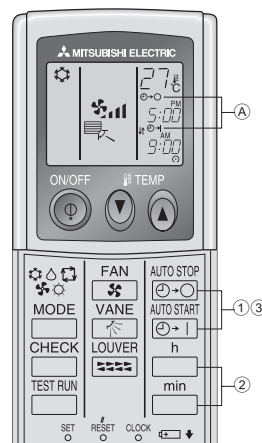
- 1 Bloquear todos os botões: bloqueia todos os botões do controlo remoto.
- 2 Bloquear todos os botões, excepto ON/OFF: bloqueia todos os botões, excepto os botão ON/OFF.

Nota:

O indicador Lock Function (Função de bloqueio) aparece no mostrador, indicando que os botões foram bloqueados.



6.2. Para controlo remoto sem fio



- 1 Carregue na tecla ou (TIMER SET).
- A hora pode ser regulada enquanto o seguinte símbolo estiver a piscar.
Temporizador OFF: está a piscar.
Temporizador ON: está a piscar.
- 2 Utilize as teclas e para regular a hora desejada.
- 3 Cancelamento do temporizador.
Para cancelar a hora de desactivação do temporizador, carregue na tecla .
Para cancelar a hora de activação do temporizador, carregue na tecla .
- É possível combinar as duas temporizações, OFF e ON.
- Carregando na tecla do controlo remoto durante o modo de temporizador para parar a unidade, cancelará os temporizadores.
- Se a hora actual não tiver sido regulada, a operação do temporizador não pode ser usada.

<Como bloquear os botões>

1. Enquanto mantém premido o botão Filter (Filtro) 4, prima e mantenha premido o botão ON/OFF 1 durante 2 segundos. Aparece o indicador Lock Function (Função de bloqueio) no mostrador (em 1), indicando que a função de bloqueio foi aplicada.

- * Se a função de bloqueio tiver sido desactivada em Function Selection (Seleção de função), aparece a mensagem “Not Available” (Não disponível) quando premir os botões, tal como descrito em cima.



- Se premir um botão bloqueado, começa a piscar no mostrador o indicador Lock Function (Função de bloqueio) (em 1).



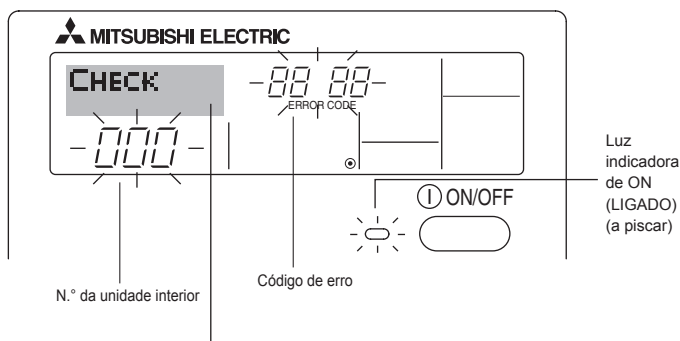
<Como desbloquear os botões>

1. Com o botão Filter (Filtro) 4 premido, prima e mantenha premido o botão ON/OFF 1 durante 2 segundos – para que o indicador Lock Function (Função de bloqueio) desapareça do mostrador (em 1).



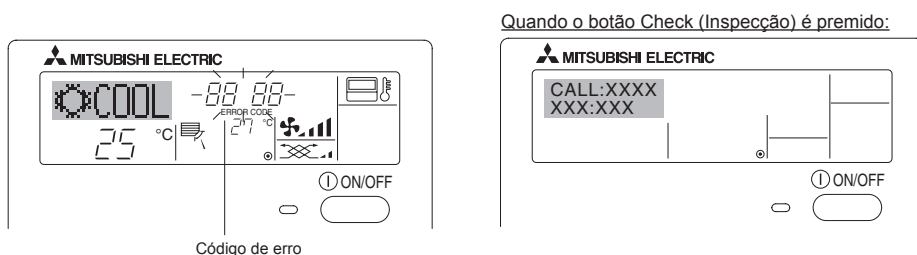
7. Outras funções

7.2. Indicação de códigos de erro



Se tiver introduzido o número de telefone para onde se deve ligar no caso de algum problema, esse número aparece no mostrador. (Pode fazê-lo em Function Selection. Para mais informações, consulte a secção 8.)

- Se a lâmpada indicadora de ON (LIGADO) e o código de erro estiverem a piscar: Significa que o ar condicionado está avariado e que o funcionamento foi interrompido (e que não é possível voltar ao funcionamento normal). Tome nota do código de erro e do número de unidade, desligue a energia do ar condicionado e telefone ao vendedor ou serviço de reparações.



- Se só estiver a piscar o código de erro (e a lâmpada indicadora de ON (LIGADO) apenas acesa): A operação está a continuar, mas pode existir algum problema no sistema. Nesse caso, deve tomar nota do código de erro e consultar o vendedor ou o serviço de reparações.
- * Se tiver introduzido um número de telefone para o qual se deve ligar no caso de problemas, prima o botão Check (Inspeção), para que esse número apareça no mostrador. (Pode fazê-lo em Function Selection. Para mais informações, consulte a secção 8.)

8. Selecção de Função

Seleção de função do controlo remoto

As definições das funções do controlo remoto que se seguem podem ser alteradas através do modo de selecção de função do controlo remoto. Altere a definição conforme necessário.

Item 1	Item 2	Item 3 (conteúdo da definição)
1. Alteração de idioma ("CHANGE LANGUAGE")	Definição do idioma a visualizar	<ul style="list-style-type: none"> • É possível a visualização em vários idiomas
2. Limite da função ("FUNCTION SELECTION")	(1) Definição do limite da função de operação (bloqueio da operação) ("LOCKING FUNCTION")	<ul style="list-style-type: none"> • Definição da amplitude do limite de operação (função de bloqueio da operação)
	(2) Utilização da definição de modo automático ("SELECT AUTO MODE")	<ul style="list-style-type: none"> • Definição da utilização ou não utilização do modo de operação "automático"
	(3) Definição do limite de variação da temperatura ("LIMIT TEMP FUNCTION")	<ul style="list-style-type: none"> • Definição da variação regulável da temperatura (máximo, mínimo)
3. Selecção de modo ("MODE SELECTION")	(1) Definição do controlo remoto mestre/subordinado ("CONTROLLER MAIN/SUB")	<ul style="list-style-type: none"> • Selecção do controlo remoto mestre ou subordinado * Quando dois controlos remotos estão ligados a um grupo, um deles tem que ser definido como subordinado.
	(2) Utilização da definição do relógio ("CLOCK")	<ul style="list-style-type: none"> • Definição da utilização ou não utilização da função de relógio
	(3) Definição da função do temporizador ("WEEKLY TIMER")	<ul style="list-style-type: none"> • Definição do tipo de temporizador
	(4) Definição do número de contacto em situação de erro ("CALL.")	<ul style="list-style-type: none"> • Visualização do número de contacto em caso de erro • Definição do número de telefone
4. Visualização da alteração ("DISP MODE SETTING")	(1) Definição do visor da temperatura °C/°F ("TEMP MODE °C/°F")	<ul style="list-style-type: none"> • Definição da unidade de temperatura (°C ou °F) a visualizar
	(2) Definição do visor da temperatura do ar de aspiração ("ROOM TEMP DISP SELECT")	<ul style="list-style-type: none"> • Definição da utilização ou não utilização da visualização da temperatura do ar (aspiração) do interior
	(3) Definição do visor de refrigeração/aquecimento ("AUTO MODE DISP C/H")	<ul style="list-style-type: none"> • Definição da utilização ou não utilização da visualização de "Refrigeração" ou "Aquecimento" no visor, durante a operação em modo automático

8. Selecção de Função

[Fluxograma de selecção de função]

Definição de idioma (a definição inicial é English (inglês))

Visor normal (visualização quando o aparelho de ar condicionado não está em funcionamento)

Mantenha o botão de (E) premido e prima o botão de (D) durante 2 segundos.

Mantenha o botão de (E) premido e prima o botão de (D) durante 2 segundos.

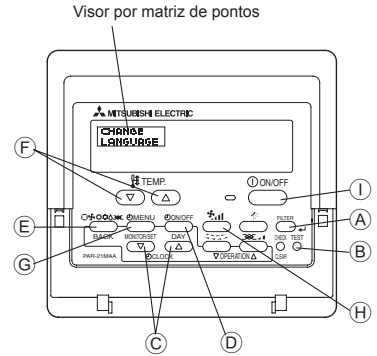
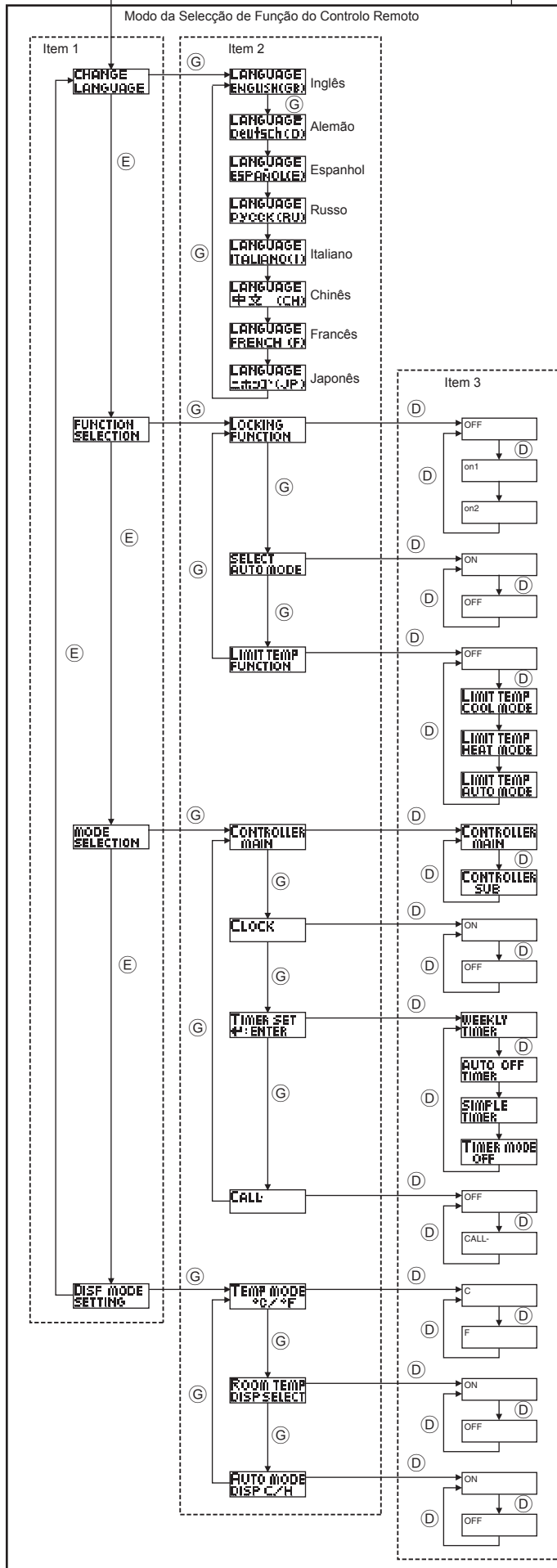
- (E) Prima o botão do modo de funcionamento.
- (G) Prima o botão TIMER MENU (Menu de temporizador).
- (D) Prima o botão TIMER ON/OFF (Temporizador ligado/desligado).

Alteração de idioma

Seleção de Função

Seleção do Modo de funcionamento

Visualização da alteração



- A definição função de bloqueio da operação não é utilizada. (Valor da definição inicial)
- A definição de bloqueio de operação é aplicada a todos os botões, excepto aos botão de ligar/desligar (ON/OFF).
- A definição de bloqueio de operação é aplicada a todos os botões.
- O modo automático é visualizado quando se selecciona o modo de funcionamento. (Valor da definição inicial)
- O modo automático não é visualizado quando o modo de funcionamento é seleccionado.
- O limite para a amplitude térmica não está activo. (Valor da definição inicial)
- A amplitude térmica pode ser alterada no modo de arrefecimento/desumidificação.
- A amplitude térmica pode ser alterada no modo de aquecimento.
- A amplitude térmica pode ser alterada no modo automático.
- O controlo remoto será o mestre. (Valor da definição inicial)
- O controlo remoto será o subordinado.
- A função do relógio pode ser utilizada. (Valor da definição inicial)
- A função do relógio não pode ser utilizada.
- A função Weekly timer (Temporizador semanal) pode ser utilizada. (Valor da definição inicial)
- A função Auto Off Timer (Temporizador para desligar automaticamente) pode ser utilizada.
- A função Simple timer (Temporizador simples) pode ser utilizada.
- O modo de temporizador não pode ser utilizado
- Os números de contacto não são visualizados em caso de erro. (Valor da definição inicial)
- Os números de contacto são visualizados em caso de erro.
- É utilizada a unidade de temperatura °C. (Valor da definição inicial)
- É utilizada a unidade de temperatura °F.
- É indicada a temperatura do ar ambiente. (Valor da definição inicial)
- Não é indicada a temperatura do ar ambiente.
- No modo automático visualiza-se o visor "Automatic cooling" (Arrefecimento automático) ou "Automatic heating" (Aquecimento automático). (Valor da definição inicial)
- No modo automático apenas se visualiza "Automatic" (Automático).

8. Selecção de Função

[Definição detalhada]

[4]–1. Definição de ALTERAR IDIOMA

O idioma que aparece no visor por matriz de pontos pode ser seleccionado.

- Prima o botão de [⏏ MENU] Ⓞ para alterar o idioma.
 - ① inglês (GB), ② alemão (D), ③ espanhol (E), ④ russo (RU), ⑤ italiano (I), ⑥ chinês (CH), ⑦ francês (F), ⑧ japonês (JP)

Consultar o quadro por matriz de pontos.

[4]–2. Limite da função

(1) Definição do limite da função de operação (função de bloqueio da operação)

- Para alterar a definição, prima o botão de [⏏ ON/OFF] Ⓞ.
 - ① no1 : A definição de bloqueio da operação é feita em todos os botões, excepto no botão de [⏏ ON/OFF].
 - ② no2 : A definição de bloqueio da operação é feita em todos os botões.
 - ③ OFF (Valor da definição inicial):
A definição de bloqueio da operação não é feita.
- * Para tornar a definição de bloqueio da operação válida no visor normal, é necessário premir os botões (mantenha premidos simultaneamente os botões [FILTER] e [⏏ ON/OFF] durante 2 segundos) no visor normal depois de ter sido feita a definição anterior.

(2) Utilização da definição de modo automático

Quando o controlo remoto está ligado à unidade que se encontra em modo de operação automático, podem ser feitas as definições que se seguem.

- Para alterar a definição, prima o botão de [⏏ ON/OFF] Ⓞ.
 - ① ON (Valor da definição inicial):
O modo automático é visualizado quando é seleccionado o modo de operação.
 - ② OFF:
O modo automático não é visualizado quando é seleccionado o modo de operação.

(3) Definição do limite de variação da temperatura

Depois de feita esta definição, a temperatura pode ser alterada dentro da variação definida.

- Para alterar a definição, prima o botão de [⏏ ON/OFF] Ⓞ.
 - ① LIMIT TEMP COOL MODE :
A variação da temperatura pode ser alterada no modo de refrigeração/desumidificação.
 - ② LIMIT TEMP HEAT MODE :
A variação da temperatura pode ser alterada no modo de aquecimento.
 - ③ LIMIT TEMP AUTO MODE :
A variação da temperatura pode ser alterada no modo automático.
 - ④ OFF (definição inicial) :
O limite de variação da temperatura não está activo.
- * Quando é feita outra definição além de OFF, a definição do limite de variação da temperatura nos modos de refrigeração, aquecimento e automático é feita ao mesmo tempo. Contudo, a variação não pode ser limitada quando a variação de temperatura definida não tiver sido alterada.
- Para aumentar ou diminuir a temperatura, prima o botões [⏏ TEMP. (∇) ou (Δ)] Ⓞ.
- Para alterar a definição do limite superior e inferior, prima o botão de [⏏] Ⓞ. A definição seleccionada fica intermitente, podendo ser definida a temperatura.
- Definição da variação
Modo de Refrigeração/Desumidificação :
Limite inferior: 19°C a 30°C Limite superior: 30°C a 19°C
Modo de aquecimento :
Limite inferior: 17°C a 28°C Limite superior: 28°C a 17°C
Modo automático :
Limite inferior: 19°C a 28°C Limite superior: 28°C a 19°C

[4]–3. Definição da selecção do Modo de funcionamento

(1) Definição do controlo remoto mestre/subordinado

- Para alterar a definição, prima o botão de [⏏ ON/OFF] Ⓞ.
 - ① Main: O controlo remoto será o mestre.
 - ② Sub: O controlo remoto será o subordinado.

(2) Utilização da definição do relógio

- Para alterar a definição, prima o botão de [⏏ ON/OFF] Ⓞ.
 - ① ON: A função do relógio pode ser utilizada.
 - ② OFF: A função do relógio não pode ser utilizada.

(3) Definição da função do temporizador

- Para alterar a definição, prima o botão de [⏏ ON/OFF] Ⓞ (Escolha uma das opções que se seguem).
 - ① WEEKLY TIMER (Valor da definição inicial) :
O temporizador semanal pode ser utilizado.
 - ② AUTO OFF TIMER:
O temporizador de desligamento automático pode ser utilizado.
 - ③ SIMPLE TIMER:
O temporizador simples pode ser utilizado.
 - ④ TIMER MODE OFF:
O modo de temporizador não pode ser utilizado.
- * Quando a utilização da definição do relógio está em OFF, o "WEEKLY TIMER" (TEMPORIZADOR SEMANAL) não pode ser utilizado.

(4) Definição do número de contacto em situação de erro

- Para alterar a definição, prima o botão de [⏏ ON/OFF] Ⓞ.
 - ① CALL OFF:
A definição dos números de contacto não é visualizada em caso de erro.
 - ② CALL **** * ** * :
A definição dos números de contacto é visualizada em caso de erro.
CALL_ :
O número de contacto pode ser definido quando o visor se encontra conforme ilustrado à esquerda.
- Definição dos números de contacto
Para poder definir os números de contacto, execute os procedimentos que se seguem.
Desloque o cursor intermitente para definir os números. Prima o botões [⏏ TEMP. (∇) e (Δ)] Ⓞ para mover o cursor para a direita (esquerda). Prima o botões [⏏ CLOCK (∇) e (Δ)] Ⓞ para definir os números.

[4]–4. Definição de alteração do visor

(1) Definição do visor da temperatura ° C/° F

- Para alterar a definição, prima o botão de [⏏ ON/OFF] Ⓞ.
 - ① °C: É utilizada a unidade de temperatura °C.
 - ② °F: É utilizada a unidade de temperatura °F.

(2) Definição do visor da temperatura do ar de aspiração

- Para alterar a definição, prima o botão de [⏏ ON/OFF] Ⓞ.
 - ① ON: É indicada a temperatura do ar de aspiração.
 - ② OFF: Não é indicada a temperatura do ar de aspiração.

(3) Definição do visor de refrigeração/aquecimento

- Para alterar a definição, prima o botão de [⏏ ON/OFF] Ⓞ.
 - ① ON:
É visualizado "Refrigeração automática" e "Aquecimento automático" sob modo automático em funcionamento.
 - ② OFF:
Apenas é visualizado "Automático" sob o modo automático.

8. Selecção de Função

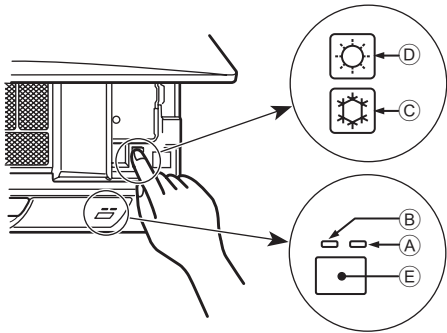
[Quadro por matriz de pontos]

Definição de idioma	Inglês	Alemão	Espanhol	Russo	Italiano	Chinês	Francês	Japonês	
À espera que a operação de arranque termine	PLEASE WAIT	←	←	←	←	←	←	←	
Modo de funcionamento	Modo de arrefecimento	COOL	Kühlen	FRÍO	Холод	COOL	FROID	冷房	
	Modo de secagem	DRY	Trocknen	DESHUMIDIFICACIÓN	Сушка	DRY	DESHU	ドライ	
	Modo de aquecimento	HEAT	Heizen	CALOR	Тепло	HEAT	CHAUD	暖房	
	Modo automático	AUTO	AUTO	AUTOMÁTICO	Авто	AUTO	AUTO	自動	
	Modo automático (Modo de arrefecimento)	COOL	Kühlen	FRÍO	Холод	COOL	FROID	冷房	
	Modo automático (Modo de aquecimento)	HEAT	Heizen	CALOR	Тепло	HEAT	CHAUD	暖房	
	Modo de ventilação	FAN	Lüfter	VENTILACIÓN	ВЕНТ	VENTILAZIONE	送風	VENTI LATION	送風
	Ventilação	VENTILATION	Gelüfte	VENTILACIÓN	ВЕНТИЛЯЦИЯ	ARIA ESTERNA	换气	VENTI LATION	换气
	Suspensão (Regulação de calor)	STAND BY	STAND BY	CALENTANDO	ОБОГРЕВ: ПАУЗА	STAND BY	准备中	PRE CHAUFFAGE	準備中
Descongelo	DEFROST	Alttauen	DESCONGELACIÓN	ОТТАВЛИВАНИЕ	SBRINAMENTO	除霜中	DEGIVRAGE	霜取中	
Temperatura definida	SET TEMP	TEMP einstellen	TEMP. CONSIGNA	ЦЕЛЕВАЯ ТЕМПЕРАТУРА	IMPOSTAZIONE TEMPERATURA	设定温度	REGLAGE TEMPERATURE	設定温度	
Velocidade da ventoinha	FAN SPEED	Lüftergeschwindigkeit	VELOCIDAD VENTILADOR	СКОРОСТЬ ВЕНТИЛЯТОРА	VELOCITA' VENTILATORE	风速	VITESSE DE VENTILATION	風速	
Botão fora de utilização	NOT AVAILABLE	nicht verfügbar	NO DISPONIBLE	НЕ ДОСТУПНО	NON DISPONIBILE	无效按钮	NON DISPONIBLE	無効ボタン	
Verificar (Erro)	CHECK	Prüfen	COMPROBAR	ПРОВЕРКА	CHECK	检查	CONTROLE	点検	
Teste de funcionamento	TEST RUN	Testbetrieb	TEST FUNCIONAMIENTO	ТЕСТОВЫЙ ЗАПУСК	TEST RUN	试运行	TEST	試運転	
Autoverificação	SELF CHECK	Selbst-diagnose	AUTO REVISIÓN	САМОАНАЛОГИКА	SELF CHECK	自我诊断	AUTO CONTROLE	自己診断	
Seleção do funcionamento da unidade	FUNCTION SELECTION	Funktion auswählen	SELECCIÓN DE FUNCIONES	ВЫБОР ФУНКЦИИ	SELEZIONE FUNZIONI	功能选择	SELECTION FUNCTIONS	キョウ選択	
Definir ventilação	SETTING OF VENTILATION	Lüfterstufen wählen	CONFIG. VENTILACIÓN	НАСТРОЙКА ВЕНТУСТАЯ	IMPOSTAZIONE ARIA ESTERNA	换气设定	SELECTION VENTILATION	换气設定	

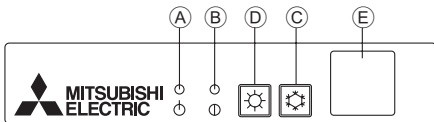
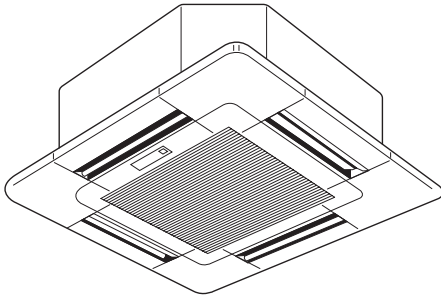
Definição de idioma	Inglês	Alemão	Espanhol	Russo	Italiano	Chinês	Francês	Japonês
Alteração de idioma	CHANGE LANGUAGE	←	←	←	←	←	←	←
FUNCTION SELECTION	FUNCTION SELECTION	Funktion auswählen	SELECCIÓN DE FUNCIONES	ВЫБОР ФУНКЦИИ	SELEZIONE FUNZIONI	功能限制	SELECTION FUNCTIONS	キョウ制限
Definição do limite da função de operação	LOCKING FUNCTION	Sperri - Funktion	FUNCION BLOQUEADA	ФУНКЦИЯ БЛОКИРОВАН	BLOCCO FUNZIONI	操作限制	BLOCAGE FUNCTIONS	操作ロック
Utilização da definição de modo automático	SELECT AUTO MODE	Auswahl Auto Betrieb	SELECCIÓN MODO AUTO	ВЫБОР РЕЖИМА АВТО	SELEZIONE MODO AUTO	自动模式	SELECTION DU MODO AUTO	自動モード
Definição do limite da amplitude térmica	LIMIT TEMP FUNCTION	Limit Temp Funktion	LIMIT TEMP CONSIGNA	ОГРАНИЧЕНИЕ УСТ.ТЕМПЕРАТ	LIMITAZIONE TEMPERATURA	温度限制	LIMITATION TEMPERATURE	温度制限
Limite da temperatura do modo de arrefecimento/dia	LIMIT TEMP COOL MODE	Limit Kühl Temp	LIMIT TEMP MODO FRIO	ОГРАНИЧЕНО ОХЛАЖДЕНИЕ	LIMITAZIONE MODO COOL	制冷范围	LIMITE TEMP MODO FROID	制冷冷房
Limite da temperatura do modo de aquecimento	LIMIT TEMP HEAT MODE	Limit Heiz Temp	LIMIT TEMP MODO CALOR	ОГРАНИЧЕНО ОБОГРЕВ	LIMITAZIONE MODO HEAT	制热范围	LIMITE TEMP MODO CHAUD	制热暖房
Limite da temperatura do modo automático	LIMIT TEMP AUTO MODE	Limit Auto Temp	LIMIT TEMP MODO AUTO	ОГРАНИЧЕНО РЕЖИМ АВТО	LIMITAZIONE MODO AUTO	自动范围	LIMITE TEMP MODO AUTO	制自动
Seleção do Modo de funcionamento	MODE SELECTION	Betriebsart wählen	SELECCIÓN DE MODO	ВЫБОР РЕЖИМА	SELEZIONE MODO	基本模式	SELECTION DU MODO	基本キョウ
Definição do controlo remoto MESTRE	CONTROLLER MAIN	Haupt controller	CONTROL PRINCIPAL	ОСНОВНОЙ ПУЛЬТ	CONTROLLO MAIN	遥控主	TELCOMMANDE MAITRE	リモコ主従
Definição do controlo remoto SUBORDINADO	CONTROLLER SUB	Neben controller	CONTROL SECUNDARIO	ДОПОЛНИТЕЛЬНЫЙ ПУЛЬТ	CONTROLLO SUB	遥控辅	TELCOMMANDE ESCLAVE	リモコ主従
Utilização da definição do relógio	CLOCK	Uhr	RELOJ	ЧАСЫ	OROLOGIO	时钟	AFFICHAGE HORLOGE	時計 3ヨウ
Definição do dia da semana e da hora	TIME SET 4:ENTER	Uhr stellen 4:einstellen	CONFIG RELOJ 4:CONFIG	ЧАСЫ: УСТ. 4: ВВОД	OROLOGIO 4: ENTER	时间 4: ENTER	HORLOGE 4:ENTRER	トキセツテイ 4: カクテイ
Definição do temporizador	TIMER SET 4:ENTER	Zeitschaltuhr 4:einstellen	TEMPORIZA - DOR 4:CONFIG	ТАЙМЕР: УСТ. 4: ВВОД	TIMER 4: ENTER	定时器 4: ENTER	PROG HORAIRE 4:ENTRER	タイマーセツテイ 4: カクテイ
Monitor de temporizador	TIMER MONITOR	Uhrzeit Anzeige	VISUALIZAR TEMPORIZAD.	ПРОСМОТР ТАЙМЕРА	VISUALIZ TIMER	定时器状态	AFFICHAGE PROG HORAIRE	タイマーモニター
Temporizador semanal	WEEKLY TIMER	Wochenzeit schalt Uhr	TEMPORIZA - DOR SEMANAL	НЕДЕЛЬНЫЙ ТАЙМЕР	TIMER SET TIMANALE	每周定时器	PROG HEBDO MAIDAIRE	タイマー週間
Modo de temporizador desligado	TIMER MODE OFF	Zeitschaltuhr AUS	TEMPORIZA - DOR APAGADO	ТАЙМЕР ВЫКЛ.	TIMER OFF	定时器无效	PROG HORAIRE INACTIF	タイマー無効
Temporizador para desligar automaticamente	AUTO OFF TIMER	Auto Zeit funktion AUS	APAGADO AUTOMÁTICO	АВТООТКЛЮЧ. ПО ТАЙМЕРУ	AUTO OFF TIMER	解除定时	PROG HORAIRE ARRET AUTO	タイマーオフオウス 4:カクウス
Temporizador simples	SIMPLE TIMER	einfache Zeitfunktion	TEMPORIZA - DOR SIMPLE	ПРОСТОЙ ТАЙМЕР	TIMER SEMPLIFICATO	简易定时器	PROG HORAIRE SIMPLIFE	タイマーカンイ
Definição dos números de contacto em situação de erro	CALL	←	←	←	←	←	←	←
Alteração do visor	DISP MODE SETTING	Anzeige Betriebsart	MOSTRAR MODO	НАСТРОЙКА ИНА РЕЖИМА	IMPOSTAZIONE MODO DISPLAY	转换表示	AFFICHAGE SOUS MENU	表示切替
Definição da visualização da temperatura em °C/°F	TEMP MODE °C/°F	Wechsel °C/°F	TEMPGRADOS °C/°F	ЕДИН.ТЕМПЕРА. °C/°F	TEMPERATURA °C/°F	温度 °C/°F	TEMPERATURE °C/°F	温度 °C/°F
Definição da visualização da temperatura da entrada de ar ambiente	ROOM TEMP DISP SELECT	Raum Temp gewählet	MOSTRAR TEMP.	ПОКАЗЫВАТЬ ТЕМП.В КОМН.	TEMPERATURA AMBIENTE	吸入温度	TEMPERATURE AMBIANTE	ストロモオト 3ヨウカ
Definição da visualização de arrefecimento/aquecimento automático	AUTO MODE DISP C/H	Auto Betrieb C/H	MOSTRAR F/C EN AUTO	ИНА. Т./Х В РЕЖИМЕ АВТО	AUTO C/H	自动表示	AFFICHAGE AUTO F/C	自動 3ヨウカ

9. Funcionamento de emergência para controlo remoto sem fios

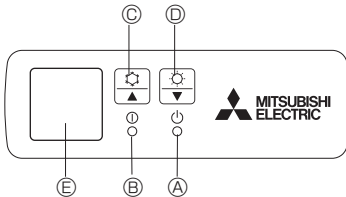
■ PKFY-P-VKM-E



■ PLFY-P-VCM-E2



■ PCFY-P-VKM-E



Quando o controlo remoto não puder ser utilizado

Quando as pilhas do controlo remoto perderem a carga ou o controlo remoto funcionar mal, a operação de emergência pode ser executada através dos botões de emergência na grelha.

- Ⓐ Lâmpada DEFROST/STAND BY (descongelar/em espera)
- Ⓑ Lâmpada de operação
- Ⓒ Interruptor de operação de arrefecimento de emergência
- Ⓓ Interruptor de operação de aquecimento de emergência
- Ⓔ Receptor

Iniciar o funcionamento

- Para utilizar o modo de arrefecimento, prima o botão Ⓒ ☀ durante mais de 2 segundos.
- Para utilizar o modo de aquecimento, prima o botão Ⓓ ☀ durante mais de 2 segundos.
- A iluminação da lâmpada de funcionamento Ⓑ é sinónimo de início do funcionamento.

Nota:

- Os detalhes do modo de emergência são mostrados abaixo.

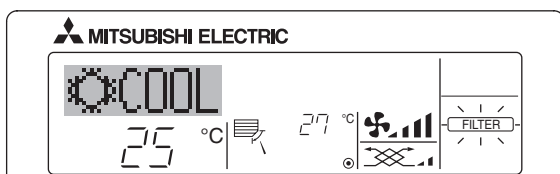
Os detalhes do MODO DE EMERGÊNCIA são mostrados abaixo.

Modo de funcionamento	COOL	HEAT
Temperatura definida	24°C	24°C
Velocidade da ventoinha	Alta	Alta
Direcção do fluxo de ar	Horizontal	Para baixo 4 (5)

Parar o funcionamento

- Para parar o funcionamento, prima o botão Ⓒ ☀ ou o botão Ⓓ ☀ durante mais de 2 segundos.

10. Cuidados e limpeza



- Indica que o filtro necessita de ser limpo.
Limpar o filtro.
- Quando redefinir o visor "FILTER"
Quando o botão [FILTER] é premido duas vezes sucessivamente depois de limpar o filtro, o visor apaga e é redefinido (reset).

Note:

- Quando dois ou mais tipos diferentes de unidades interiores são controlados, o período de limpeza varia consoante o tipo de filtro. Quando chega a altura de limpar a unidade mestre, é visualizado "FILTER". Quando o visor do filtro apaga, o tempo cumulativo é redefinido (reset).
- "FILTER" indica o período de limpar quando o aparelho de ar condicionado foi utilizado sob condições gerais de ar interior sob o critério de tempo. Como o grau de sujidade depende das condições ambientais, limpe o filtro em conformidade com estas condições.
- O tempo cumulativo do período de limpeza do filtro difere de modelo para modelo.
- Esta indicação não está disponível para controlo remoto sem fios.

► Limpeza dos filtros

- Limpe os filtros com um aspirador. Se não tiver aspirador, sacuda-os contra um objecto sólido para eliminar a sujidade e a poeira.
- Se os filtros estiverem muito sujos, lave-os com água ténida. Tenha cuidado para enxaguar devidamente qualquer resto de detergente e deixar secar bem os filtros antes de os repor no aparelho.

⚠ Cuidado:

- Não seque os filtros ao sol nem com uma fonte de calor, tal como um radiador eléctrico, pois isso pode deformá-los.
- Não lave os filtros com água quente (acima de 50°C); pode deformá-los.
- Assegure-se de que os filtros de ar estão bem instalados. Pôr o aparelho a trabalhar sem os filtros de ar pode causar mau funcionamento.

⚠ Cuidado:

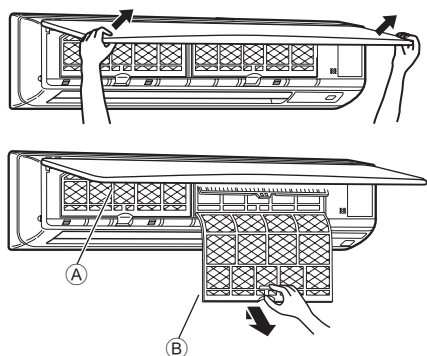
- Antes de iniciar a limpeza, pare a máquina e desligue a corrente.
- As unidades interiores estão equipadas com filtros para eliminar a poeira do ar aspirado. Limpe os filtros utilizando os métodos ilustrados nas figuras.

⚠ Cuidado:

- Quando remover o filtro, devem ser tomadas precauções para proteger os olhos do pó. Se também tiver que subir a um banco para efectuar o trabalho, tenha cuidado para não cair.
- Quando o filtro for removido, não toque nas partes metálicas dentro da unidade interior, caso contrário, isto poderá provocar ferimentos.

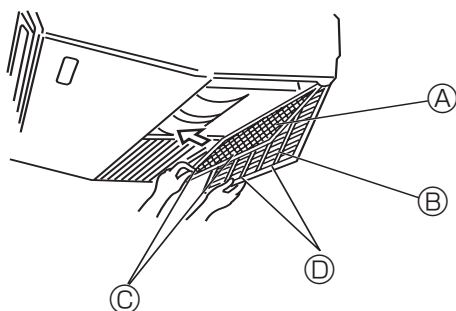
10. Cuidados e limpeza

■ PKFY-P-VKM-E



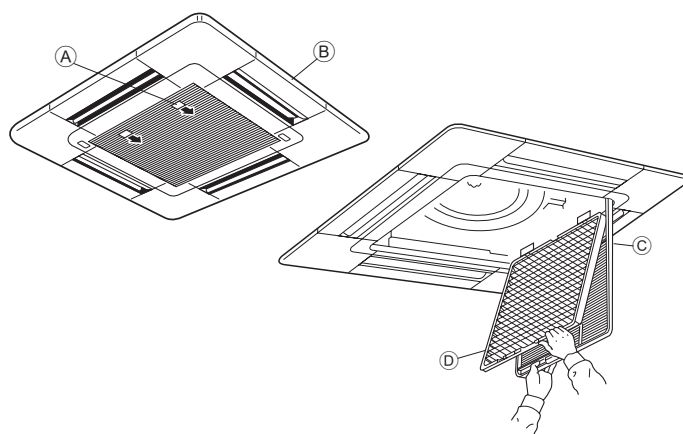
- ① Puxe a grelha de admissão pelos cantos inferiores, com as duas mãos, para a abrir e depois levante o filtro até encaixar com um estalido na posição de paragem.
 - ② Segure nos botões do filtro, puxe o filtro para cima e depois para para baixo para o retirar.
(Localizados em dois sítios, à direita e à esquerda.)
- A Grelha frontal
 B Filtro

■ PCFY-P-VGM-E



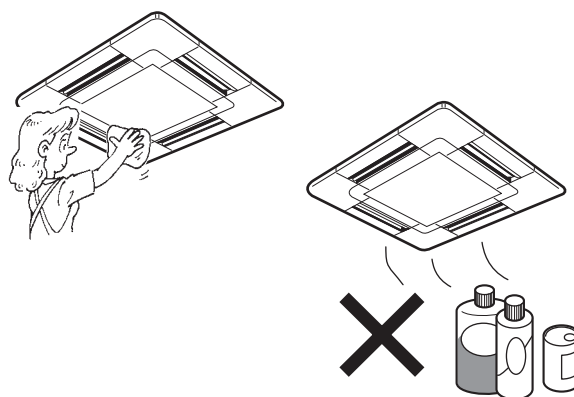
- ① Abra a grelha de admissão.
 - ② Segure o botão e puxe o filtro para cima na direcção da seta. Ao repor o filtro após a limpeza, certifique-se de que o introduziu até ele tocar no batente.
- A Filtro B Grelha de admissão C Botão D Batente

■ PLFY-P-VCM-E2



- ① Puxe o botão da grelha de admissão na direcção indicada pela seta e a grelha deverá abrir-se.
 - ② Abra a grelha de admissão.
 - ③ Liberte o botão da extremidade central da grelha de admissão e puxe o filtro para a frente para o remover.
- A Botão
 B Grelha
 C Grelha de admissão
 D Filtro

Limpeza da unidade interior



- Limpe o exterior do aparelho com um pano limpo, seco e macio.
- Limpe eventuais manchas de óleo ou impressões digitais com um detergente doméstico neutro (tal como um líquido de lavar a loiça ou um detergente de lavandaria).

⚠ Cuidado:

Nunca utilize gasolina, benzeno, solventes, pó de limpeza ou qualquer outro tipo de detergente agressivo, visto que estas substâncias podem danificar a caixa do aparelho.

11. Resolução de avarias

Está a ter algum problema?	Aqui está a solução. (A unidade está a funcionar correctamente.)
O aparelho de ar condicionado não aquece ou não arrefece bem.	<ul style="list-style-type: none"> ■ Limpe o filtro. (O fluxo de ar é menor quando o filtro está sujo ou entupido.) ■ Verifique a regulação da temperatura e regule a temperatura definida. ■ Certifique-se de que existe muito espaço à volta da unidade exterior. A entrada ou saída de ar da unidade interior está obstruída? ■ Deixou uma porta ou uma janela aberta?
Quando a operação de aquecimento se inicia, o ar que sai da unidade interior não sai logo quente.	<ul style="list-style-type: none"> ■ Só sai ar quente quando a unidade interior tiver aquecido o suficiente.
Durante o modo de aquecimento, o aparelho de ar condicionado pára antes de atingir a temperatura ambiente definida.	<ul style="list-style-type: none"> ■ Quando a temperatura exterior é baixa e a humidade é elevada, pode formar-se gelo na unidade exterior. Se isso acontecer, a unidade exterior efectua uma operação de descongelação. O funcionamento normal será retomado após aproximadamente 10 minutos.
A direcção do fluxo de ar para cima/para baixo muda durante o funcionamento ou não é possível definir a direcção do fluxo de ar para cima/para baixo.	<ul style="list-style-type: none"> ■ Durante o modo de arrefecimento, as lâminas movem-se automaticamente para a posição horizontal (para baixo) após 1 hora, quando se selecciona a direcção de fluxo de ar para baixo (horizontal). Isto acontece para evitar que ocorra formação de água e que pingue água das lâminas. ■ Durante o modo de aquecimento, as lâminas movem-se automaticamente para a direcção de fluxo de ar para cima/para baixo (horizontal) quando a temperatura do fluxo de ar é baixa ou durante o modo de descongelação.
Quando a direcção do fluxo de ar para cima/para baixo é alterada, as lâminas movem-se sempre para cima e para baixo, para além da posição definida, antes de pararem na posição pretendida.	<ul style="list-style-type: none"> ■ Quando a direcção do fluxo de ar para cima/para baixo é alterada, as lâminas movem-se para a posição definida depois de detectarem a posição base.
Ouve-se um som de água a correr ou de sibilação ocasional.	<ul style="list-style-type: none"> ■ Estes sons podem ouvir-se quando o refrigerante está a circular no aparelho de ar condicionado ou quando o fluxo do refrigerante está a mudar.
Ouve-se ranger ou ouvem-se estalidos.	<ul style="list-style-type: none"> ■ Podem ouvir-se sons deste tipo quando as peças roçam umas nas outras devido a expansão e contracção causada por mudanças de temperatura.
A divisão tem um odor desagradável.	<ul style="list-style-type: none"> ■ A unidade interior aspira ar que contém gases provenientes de paredes, carpintaria e mobiliário bem como odores de roupas e depois lança esse ar novamente para a divisão.
A unidade interior emite um vapor ou névoa branca.	<ul style="list-style-type: none"> ■ Isto pode acontecer aquando do início do funcionamento, se a temperatura interior e a humidade forem elevadas. ■ Durante o modo de descongelação, é possível que o fluxo de ar frio seja lançado para baixo e surja sob o aspecto de névoa.
A unidade exterior emite água ou vapor.	<ul style="list-style-type: none"> ■ Durante o modo de arrefecimento, pode formar-se água que pode pingar de tubos de arrefecimento e uniões. ■ Durante o modo de aquecimento, pode formar-se água que pode pingar do permutador de calor. ■ Durante o modo de descongelação, a água no permutador de calor evapora-se e pode surgir vapor de água.
O indicador de funcionamento não aparece no mostrador do controlo remoto.	<ul style="list-style-type: none"> ■ Ligue o botão de ligar/desligar. No mostrador do controlo remoto surgirá o símbolo "●".
O aparelho de ar condicionado não funciona, apesar de estar premido o botão ON/OFF (INICIAR/PARAR). A indicação do modo de operação no controlo remoto desaparece.	<ul style="list-style-type: none"> ■ O interruptor de alimentação da unidade interior está desligado? Ligue o interruptor de alimentação.
No mostrador do controlo remoto surge o símbolo "☒".	<ul style="list-style-type: none"> ■ Quando a unidade está sob o controlo central, o símbolo "☒" aparece no mostrador do controlo remoto e o controlo remoto não pode ser utilizado para iniciar ou parar o funcionamento do aparelho de ar condicionado.
Quando se liga o aparelho de ar condicionado pouco tempo depois de se ter desligado esse aparelho, o aparelho não funciona apesar de se ter premido o botão ON/OFF (LIGAR/DESLIGAR).	<ul style="list-style-type: none"> ■ Espere cerca de três minutos. (O funcionamento foi interrompido para proteger o aparelho de ar condicionado.)
O aparelho de ar condicionado funciona sem que se prima o botão ON/OFF (LIGAR/DESLIGAR).	<ul style="list-style-type: none"> ■ O temporizador está definido? Prima o botão ON/OFF (LIGAR/DESLIGAR) para parar o funcionamento. ■ O aparelho de ar condicionado está ligado a um controlo remoto central? Contacte as pessoas que controlam o aparelho de ar condicionado. ■ O símbolo "☒" aparece no mostrador do controlo remoto? Contacte as pessoas que controlam o aparelho de ar condicionado. ■ Está definida a função de reinício automático após falta de corrente? Prima o botão ON/OFF (LIGAR/DESLIGAR) para parar o funcionamento.
O aparelho de ar condicionado pára de funcionar sem que se prima o botão ON/OFF (LIGAR/DESLIGAR).	<ul style="list-style-type: none"> ■ Está definido o temporizador para desligar automaticamente? Prima o botão ON/OFF (LIGAR/DESLIGAR) para retomar o funcionamento. ■ O aparelho de ar condicionado está ligado a um controlo remoto central? Contacte as pessoas que controlam o aparelho de ar condicionado. ■ O símbolo "☒" aparece no mostrador do controlo remoto? Contacte as pessoas que controlam o aparelho de ar condicionado.
Não se consegue definir a operação do temporizador do controlo remoto.	<ul style="list-style-type: none"> ■ As definições do temporizador são inválidas? Se o temporizador puder ser definido, o símbolo (WEEKLY), (SIMPLE), ou (AUTO OFF) aparece no mostrador do controlo remoto.
No mostrador do controlo remoto surge a mensagem "PLEASE WAIT" (AGUARDAR, POR FAVOR).	<ul style="list-style-type: none"> ■ O aparelho está a proceder às definições iniciais. Espere cerca de 3 minutos.
Surge um código de erro no mostrador do controlo remoto.	<ul style="list-style-type: none"> ■ Os dispositivos de protecção entraram em funcionamento para proteger o aparelho de ar condicionado. ■ Não tente proceder a reparações neste equipamento. Desligue imediatamente o botão de ligar/desligar e contacte o vendedor. Certifique-se de que comunica ao vendedor o nome do modelo e a informação que apareceu no mostrador do controlo remoto.
Ouve-se o som de drenagem de água ou de um motor em rotação.	<ul style="list-style-type: none"> ■ Quando a operação de arrefecimento pára, a bomba de drenagem funciona e depois pára. Espere cerca de 3 minutos.

11. Resolução de avarias

Está a ter algum problema?	Aqui está a solução. (A unidade está a funcionar correctamente.)												
O ruído é superior ao indicado nas especificações.	<p>■ O nível sonoro produzido pelo funcionamento da unidade interior é afectado pela acústica da divisão em particular, conforme indicado no quadro a seguir, e será superior ao valor indicado nas especificações que foi medido numa sala isenta de eco.</p> <table border="1"> <thead> <tr> <th></th> <th>Locais com elevada absorção sonora</th> <th>Locais normais</th> <th>Locais com baixa absorção sonora</th> </tr> </thead> <tbody> <tr> <td>Exemplos de locais</td> <td>Estúdio de rádio, sala de música, etc.</td> <td>Recepção, átrio principal de hotel, etc.</td> <td>Escritório, quarto de hotel</td> </tr> <tr> <td>Níveis de ruído</td> <td>3 dB a 7 dB</td> <td>6 dB a 10 dB</td> <td>9 dB a 13 dB</td> </tr> </tbody> </table>		Locais com elevada absorção sonora	Locais normais	Locais com baixa absorção sonora	Exemplos de locais	Estúdio de rádio, sala de música, etc.	Recepção, átrio principal de hotel, etc.	Escritório, quarto de hotel	Níveis de ruído	3 dB a 7 dB	6 dB a 10 dB	9 dB a 13 dB
	Locais com elevada absorção sonora	Locais normais	Locais com baixa absorção sonora										
Exemplos de locais	Estúdio de rádio, sala de música, etc.	Recepção, átrio principal de hotel, etc.	Escritório, quarto de hotel										
Níveis de ruído	3 dB a 7 dB	6 dB a 10 dB	9 dB a 13 dB										
Não aparece nada no mostrador do controlo remoto sem fios, os dados do mostrador são pouco visíveis ou os sinais só são recebidos pela unidade interior se o controlo remoto estiver perto.	<p>■ As pilhas estão fracas. Substitua as pilhas e prima o botão Reset (Redefinir).</p> <p>■ Se continuar a não aparecer nada no mostrador mesmo depois de substituir as pilhas, verifique se as pilhas estão colocadas na direcção correcta (+, -).</p>												
A luz de funcionamento junto do receptor do controlo remoto sem fios, na unidade interior, está a piscar.	<p>■ A função de autodiagnóstico entrou em funcionamento para proteger o aparelho de ar condicionado.</p> <p>■ Não tente proceder a reparações neste equipamento. Desligue imediatamente o botão de ligar/desligar e contacte o vendedor. Certifique-se de que comunica ao vendedor o nome do modelo</p>												
O ar quente que sai da unidade interior sai de forma intermitente com o modo de aquecimento desligado ou durante o modo de ventilação.	<p>■ Quando há outra unidade interior a funcionar no modo de aquecimento, a válvula de controlo abre e fecha ocasionalmente, para manter a estabilidade no sistema de ar condicionado. Após algum tempo, esta operação pára.</p> <p>* Se isto provocar uma subida indesejável da temperatura ambiente de pequenas divisões, etc., desligue a unidade interior temporariamente.</p>												

Amplitude de aplicação:

A gama das temperaturas de funcionamento, tanto para a unidade interior como para a unidade exterior da série Y, R2, Multi-S, é descrita a seguir.

⚠ Cuidado:

O uso do seu sistema de ar condicionado fora da gama de temperatura de funcionamento e de humidade pode causar sérias avarias.

Modo	Unidade interior	Unidade exterior		
		PUHY	PURY	PUMY
Arrefecimento	15 °C - 24 °C WB	-5 °C - 46 °C DB	-5 °C - 46 °C DB	-5 °C - 46 °C DB
Aquecimento	15 °C - 27 °C DB	-20 °C - 15,5 °C WB	-20 °C - 15,5 °C WB	-15 °C - 15 °C WB

Nota: Relativamente à humidade aplicável standard para as unidades interiores e exteriores, recomendamos-lhe que se mantenha dentro da gama 30 a 80% de humidade relati

⚠ Aviso:

Se o aparelho de ar condicionado funcionar mas (conforme o modelo) não arrefecer nem aquecer o compartimento, entre em contacto com o seu revendedor porque pode haver uma fuga de gás refrigerante. Quando for feita a reparação, tenha o cuidado de perguntar ao técnico de assistência se há ou não alguma fuga de gás refrigerante.

O gás refrigerante introduzido no aparelho de ar condicionado é seguro. Normalmente não há fuga de refrigerante, no entanto, se houver uma fuga de gás no interior e o gás entrar em contacto com o fogo, aquecedor com ventilador, aquecedor de interior, fogão, etc., o gás será transformado em substâncias perigosas.

12. Especificações

Modelo		PKFY-P63VKM-E	PKFY-P100VKM-E
Fonte de Alimentação (Voltagem<V>/Frequência)	<Hz>	~N/220-230-240/50, 220/60	
Capacidade (Arrefecimento/Aquecimento)	<kW>	7,1/8,0	11,2/12,5
Dimensão (Altura)	<mm>	365	
Dimensão (Largura)	<mm>	1170	
Dimensão (Comprimento)	<mm>	295	
Peso líquido	<kg>	22	
Valor do Fluxo de Ar da Ventoinha (Baixo-Alto)	<m ³ /min>	16-20	20-25
Nível de Ruído (Baixo-Alto)	<dB>	39-43	41-49

Modelo		PLFY-P15VCM-E2	PLFY-P20VCM-E2	PLFY-P25VCM-E2	PLFY-P32VCM-E2	PLFY-P40VCM-E2
Fonte de Alimentação (Voltagem<V>/Frequência)	<Hz>	~N/220-230-240/50				
Capacidade (Arrefecimento/Aquecimento)	<kW>	1,7/1,9	2,2/2,5	2,8/3,2	3,6/4,0	4,5/5,0
Dimensão (Altura)	<mm>	208 (20)				
Dimensão (Largura)	<mm>	570 (650)				
Dimensão (Comprimento)	<mm>	570 (650)				
Peso líquido	<kg>	15,5 (3)			17,0 (3)	
Valor do Fluxo de Ar da Ventoinha (Baixo-Médio-Alto)	<m ³ /min>	8-8,5-9	8-9-10		8-9-11	
Nível de Ruído (Baixo-Médio-Alto)	<dB>	28-30-31	28-31-35	28-31-37	29-33-38	30-34-39

Modelo		PCFY-P40VKM-E	PCFY-P63VKM-E	PCFY-P100VKM-E	PCFY-P125VKM-E
Fonte de Alimentação (Voltagem<V>/Frequência)	<Hz>	~N 220-230-240/50, 220/60			
Capacidade (Arrefecimento/Aquecimento)	<kW>	4,5/5,0	7,1/8,0	11,2/12,5	14,0/16,0
Dimensão (Altura)	<mm>	230			
Dimensão (Largura)	<mm>	960	1280	1600	
Dimensão (Comprimento)	<mm>	680			
Peso líquido	<kg>	24	32	36	38
Valor do Fluxo de Ar da Ventoinha (Baixo-Médio2-Médio1-Alto)	<m ³ /min>	10-11-12-13	14-15-16-18	21-24-26-28	21-24-27-31
Nível de Ruído (Baixo-Médio2-Médio1-Alto)	<dB>	29-32-34-36	31-33-35-37	36-38-41-43	36-39-42-44

*1 A capacidade de Arrefecimento/Aquecimento indica o valor máximo durante o funcionamento sob a seguinte condição.

Arrefecimento: Interior 27 °C DB/19 °C WB, Exterior 35 °C DB

Aquecimento: Interior 20 °C DB, Exterior 7 °C DB/6 °C WB

*2 Este número () refere-se ao painel.

İçindekiler

1. Güvenlik Önlemleri	162	7. Diğer İşlevler	172
2. Parça adları	163	8. İşlev Seçimi	173
3. Ekran Konfigürasyonu	166	9. Kablosuz Uzaktan Kumanda İçin Acil İşletim	177
4. Haftanın Günü ve Saati Ayarlama	166	10. Bakım ve Temizleme	177
5. Çalışma	166	11. Arızanın Bulunması ve Giderilmesi	179
6. Zamanlayıcı	169	12. Spesifikasyonlar	181

1. Güvenlik Önlemleri

- Üniteyi monte etmeden önce “Güvenlik Önlemleri”nin hepsini okumalısınız.
- Güvenlikle ilgili çok önemli noktalar “Güvenlik Önlemleri”nde açıklanmıştır. Lütfen bunlara kesinlikle uyunuz.
- Lütfen sisteme bağlamadan önce elektrik kurumuna haber verin veya onayını alın.

Metinde kullanılan simgeler

⚠ Uyarı:

Kullanıcı açısından yaralanma veya ölüm tehlikesinin önüne geçmek için alınması gereken önlemleri açıklar.

⚠ Dikkat:

Cihazın hasar görmesini önlemek için alınması gereken önlemleri açıklar.

Resimlerde kullanılan simgeler

⚠ :Topraklanması gereken parçaları gösterir.

Not:

Bu kullanım kılavuzundaki “Kablololu uzaktan kumanda” terimi PAR-21MAA anlamına gelmektedir. Diğer uzaktan kumanda ile ilgili bilgi için lütfen bu kutuların içindeki kullanım kılavuzuna başvurun.

⚠ Uyarı:

- Bu cihazlara halk tarafından erişilemez.
- Bu cihaz kullanıcı tarafından monte edilmelidir. Satıcıdan veya başka bir yetkili şirketten cihazı monte etmesini isteyiniz. Eğer cihaz doğru monte edilmezse su kaçağı, elektrik çarpması veya yangın söz konusu olabilir.
- Ünitenin üzerine hiçbir şey yerleştirmeyiniz veya koymayınız.
- Cihazın üzerine su sıçratmayınız ve elleriniz ıslakken üniteye dokunmayınız. Elektrik çarpabilir.
- Cihazın yakınında yanıcı gaz püskürtmeyiniz. Bu, yangına yol açabilir.
- Cihazdan çıkan havayla teması gelebilecekleri yerlere gaz sobası veya başka açık alevli cihaz koymayınız. Bu, yanmanın tam olarak gerçekleşmemesine yol açabilir.
- Dış ünite çalışırken ön paneli veya vantilatör mahfazasını yerlerinden çıkarmayınız.
- Cihazı asla kendiniz onarmayınız ya da başka bir yere nakletmeyiniz.
- Aşırı derecede anormal gürültü veya titreşim saptarsanız, cihazı durdurunuz, elektrik şalterini kapatınız ve cihazı aldığınız şirketle temasa geçiniz.
- Cihazın hava giriş veya çıkışlarına asla parmaklarınızı veya değnek vb. şeyleri sokmayınız.
- Tuhaf bir koku duyarsanız cihazı kullanmayınız. Elektrik şalterini kapatıp yetkili satıcıya danışınız. Bunun yapılmaması, arızaya, elektrik çarpmasına veya yangına yol açabilir.

- Bu klima çocuklar veya zihnen ehliyetsiz kişiler tarafından gözetimsiz KULLANILMAMALIDIR.
- Küçük çocuklar gözetim altında bulundurulurken klimayla oynamalarına imkân verilmemelidir.
- Eğer soğutucu gazı dışarı püskürür veya kaçak yaparsa klima cihazını durdurunuz; odayı iyice havalandırınız ve yetkili satıcınızla temasa geçiniz.
- Bu cihaz, güvenliklerinden sorumlu bir kişi tarafından cihazın kullanımıyla ilgili gözetim altında tutulmamaları veya talimat almamaları durumunda, fiziksel, duyuşsal veya zihinsel yetenekleri sınırlı olan ya da deneyim veya bilgi sahibi olmayan kişiler (çocuklar dahil) tarafından kullanıma uygun değildir.
- Klimanın montajını yaparken, yerini değiştirirken veya bakımını yaparken soğutucu hatlarını doldurmak için yalnızca belirtilen soğutucuyu (R410A) kullanın. Bu soğutucuyu diğer soğutucularla karıştırmayın ve hatlarda hava kalmamasını sağlayın. Havanın soğutucuyla karışması, soğutucu hattında anormal bir basınç oluşmasına neden olabilir ve bu da patlamaya veya diğer tehlikelerin ortaya çıkmasına neden olabilir. Sistem için belirtilenden farklı bir soğutucunun kullanılması mekanik arızaya, sistemin bozulmasına veya ünitenin arızalanmasına neden olabilir. Bu durum, en kötü ihtimalde ürün güvenliğinin sağlanması açısından bir engel ortaya çıkarabilir.

⚠ Dikkat:

- Düğmelere basmak için sivri nesnelere kullanmayınız; bu, uzaktan kumanda ünitesini zedeleyebilir.
- Dış ve iç ünitelerin hava giriş ve çıkışlarının önünü asla kapatmayınız veya örtmeyiniz.
- Uzaktan kumandayı asla benzin veya tinerli bez ile silmeyin.
- Kapı ve pencereler açık olarak uzun süre yüksek nemlilik durumunda çalıştırmayın. Klima serinletme moduna ayarlı olarak nem oranı yüksek odalarda (%80 veya daha fazla) uzun süre çalıştırıldığında ünite içerisinde biriken su damlayabilir ve içeride bulunan eşyalar bu durumdan zarar görebilir.

- Ünite çalışırken üst hava pervanesine ya da alt hava perdesine dokunmayın. Aksi halde yoğunlaşma oluşabilir ve ünite çalışmaz.

Cihazın atılması

Cihazı atmanız gerektiği zaman yetkili satıcınıza danışınız.

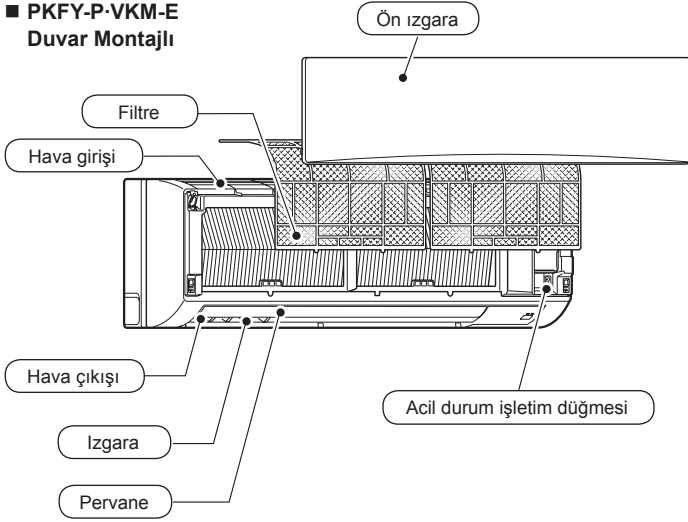
2. Parça adları

■ İç Ünite

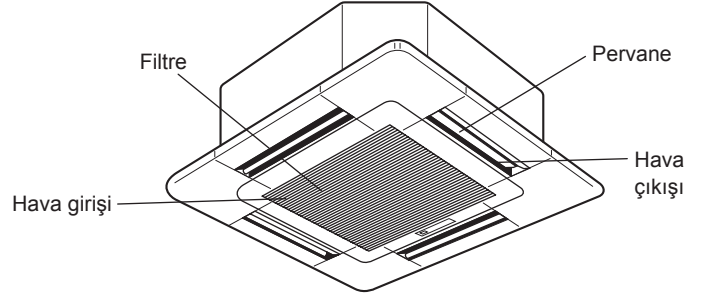
		PKFY-P-VKM-E	PLFY-P-VCM-E2	PCFY-P-VKM-E
Fan hızı		2 hızlı	3 hızlı	4 hızlı + Oto*
Pervane	Adımlar	4 Adım	4 Adım	5 Adım
	Otomatik Salınım	○	○	○
Izgara		Elle	—	Elle
Filtre		Normal	Uzun ömür	Uzun ömür
Filtre temizleme göstergesi		100 Saat	2.500 Saat	2.500 Saat

* Bu işlem, sadece "Oto" Fan hızı ayarını ayarlayabilen uzaktan kumanda kullanılarak yapılabilir

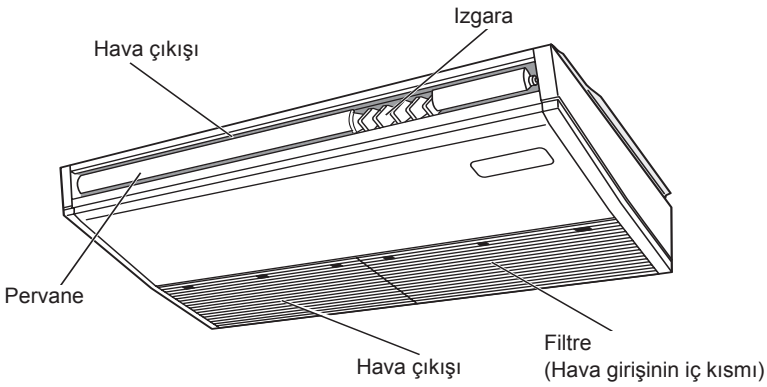
■ PKFY-P-VKM-E Duvar Montajlı



■ PLY-P-VCM-E2 4 yollu Kaset



■ PCFY-P-VKM-E Tavana Asılı



2. Parça adları

■ Kablolu Uzaktan Kumanda İçin (İsteğe Bağlı Parçalar)

Gösterge Bölümü

Burada açıklama amacıyla, göstergenin tüm kısımları ışıklandırılmış gösterilmektedir. Çalıştırma sırasında, sadece ilgili öğeler ışıklandırılır.

O anki işletimi belirtir

Çalıştırma modunu, vb. gösterir.
* Çok dilde gösterge desteklenmektedir.

“Centrally Controlled” göstergesi

Uzaktan kumandanın çalışmasının ana kontrol tarafından devre dışı bırakıldığını gösterir.

“Timer Is Off” göstergesi

Zamanlayıcının devre dışı olduğunu gösterir.

Sıcaklık Ayarı

Hedef sıcaklığı gösterir.

Haftanın Günü

Haftanın hangi günündeyse, o günü gösterir.

Saat/Zamanlayıcı Göstergesi

Basit veya Otomatik Kapanma zamanlayıcısı ayarlanmamışsa, o anki saati gösterir. Basit veya Otomatik Kapanma zamanlayıcısı ayarlanmışsa, kalan süreyi gösterir.

“Sensor” göstergesi

Uzak sensörü kullanıldığında görünür.

“Locking function” göstergesi

Uzaktan kumanda düğmelerinin kilittirildiğini gösterir.

“Clean the filter” göstergesi

Filtrenin temizlenme zamanının geldiğini gösterir.

Zamanlayıcı göstergeleri

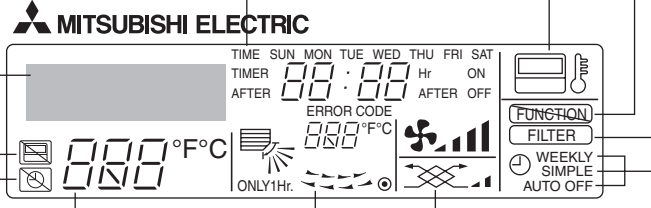
İlgili zamanlayıcı ayarlandığında gösterge görünür.

Fan Hız göstergesi

Seçilen fan hızını gösterir.

Havalandırma göstergesi

Cihaz Havalandırma modunda çalışırken görünür.



Yukarı/Aşağı Hava Yönü göstergesi

göstergesi hava akımı çıkış yönünü gösterir.

“One Hour Only” göstergesi

SOĞUTMA veya KURUTMA çalıştırma modunda hava akımı zayıf ve aşağı doğru olarak ayarlanmışsa görünür. (İşletim modele göre farklılık gösterir.) Gösterge bir saat sonra kapanır ve hava akım yönü de değişir.

Ortam Sıcaklığı göstergesi

Ortam sıcaklığını gösterir. Oda sıcaklığı gösterge aralığı 8-39 °C'dir. Sıcaklık 8 °C'den az veya 39 °C'den fazla ise gösterge yanıp sönecektir. Izgara göstergesi

Izgara göstergesi

Salınım ızgarasının hareketini gösterir. Izgara sabitçe görünmez. Izgara göstergesi

● (Power On göstergesi)

Cihazın açık olduğunu gösterir.

Kumanda Bölümü

Sıcaklık Ayarlama düğmeleri



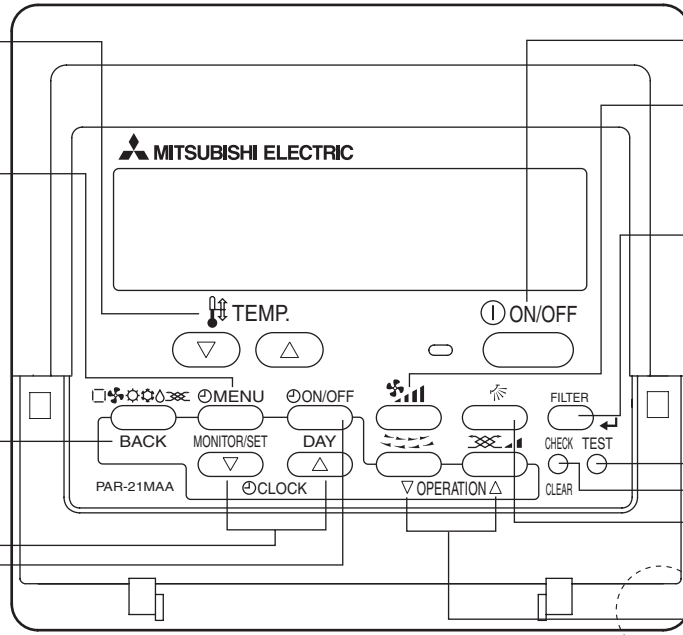
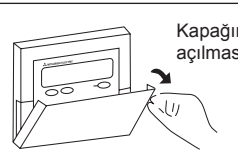
Zamanlayıcı Menü düğmesi (Zamanlayıcı Monitör / Zamanlayıcı Ayar düğmesi)

Çalıştırma Modu düğmesi (Dönüş düğmesi)

Zaman Ayarlama düğmeleri



Zamanlayıcı Açma/Kapama düğmesi (Gün Ayarı düğmesi)



ON/OFF düğmesi

Fan Hızı düğmesi

Filtre (↔ düğme)

Test Çalıştırma düğmesi

Kontrol düğmesi (Temizleme düğmesi)

Hava Akımı Yukarı/Aşağı düğmesi

Izgara düğmesi (▽ İşletim düğmesi)

Önceki işletim numarasına.

Havalandırma düğmesi (△ İşletim düğmesi)

Sonraki işletim numarasına.

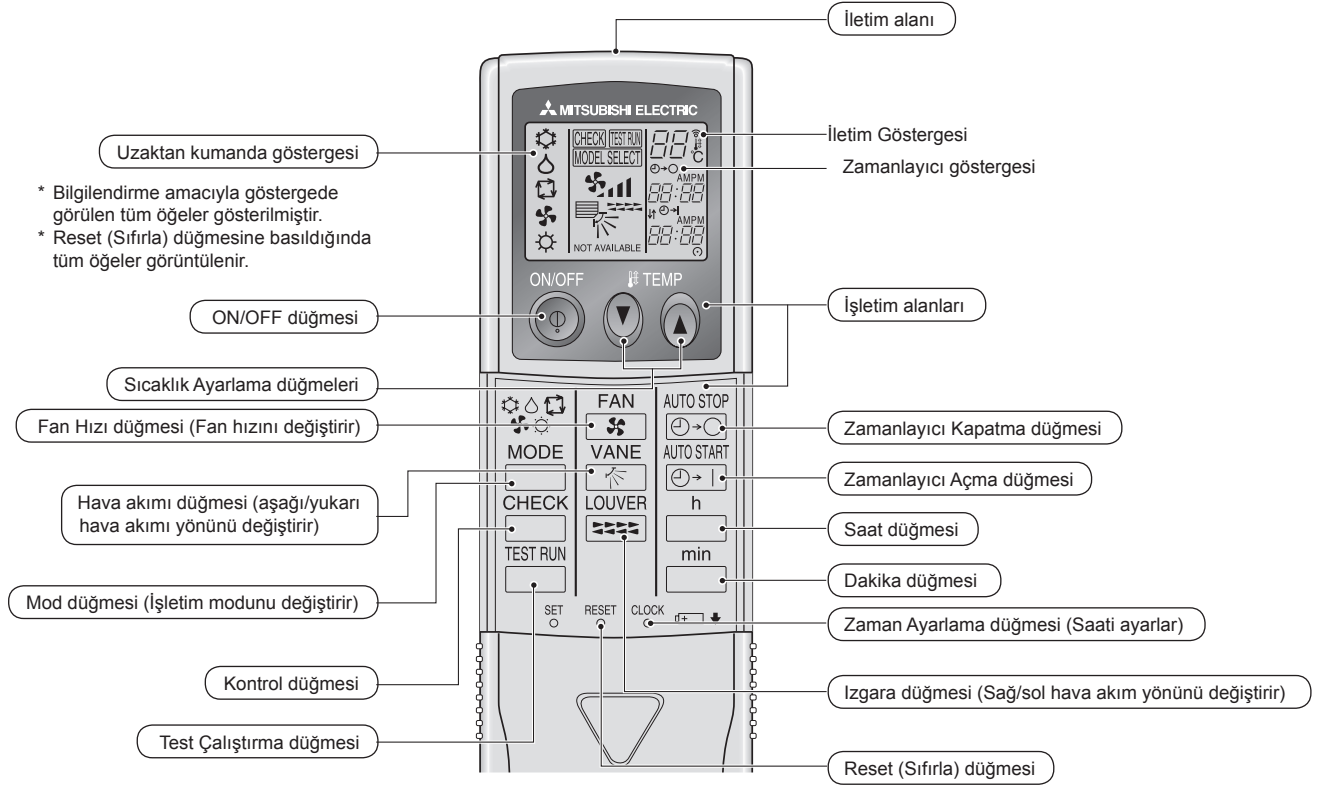
Bütünleşik sıcaklık sensörü

Not:

- “PLEASE WAIT” (LÜTFEN BEKLEYİN) mesajı
Bu mesaj, iç mekan ünitesine güç verildiğinde yaklaşık 3 dakika süre ile görüntülenir.
- Yanıp sönen çalışma modu ekranı
Tek bir dış üniteye birden çok iç ünite bağlandığında ve çalışma modu başka bir iç ünitenin geçerli çalışma modundan farklı bir iç ünite seçildiğinde, çalışma modu ekranı yanıp söner. Diğer iç ünite ile aynı çalışma modunu seçin.
- “NOT AVAILABLE” (MEVCUT DEĞİL) mesajı
Bu mesaj, iç ünite olmayan bir işleve ait bir düğmeye bastığınızda görüntülenir.
Değişik model birden fazla iç mekan ünitesini çalıştırmak için tek bir uzaktan kumanda kullanılıyorsa iç mekan ünitelerinden herhangi birinin ilgili işleve sahip olması durumunda bu mesaj görüntülenmeyecektir.
- Oda sıcaklığı ekranı
Oda sıcaklığını ölçmek için iç ünite sıcaklık sensörleri veya uzaktan kumanda sıcaklık sensörü seçilebilir. İç ünite sıcaklık sensörleri ilk ayar olarak ayarlanmıştır. Oda sıcaklığını ölçmek için iç ünite sıcaklık sensörleri seçildiğinde, birden çok iç üniteyi çalıştıran uzaktan kumanda üzerinde ana iç ünite ölçülen oda sıcaklığı görüntülenir.

2. Parça adları

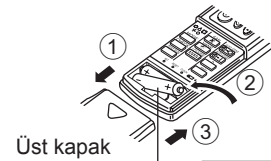
■ Kablosuz Uzaktan Kumanda İçin (İsteğe Bağlı Parçalar)



- Kablosuz uzaktan kumanda cihazını kullanırken kumandayı iç mekan ünitesindeki alıcıya doğru yöneltin.
- Uzaktan kumanda, iç mekan ünitesine güç verildikten yaklaşık 2 dakika sonra çalıştırılırsa iç mekan ünitesi başlangıçtaki otomatik kontrolü yaptığı için iki defa sesli uyarı verebilir.
- İç mekan ünitesi uzaktan kumandadan yayılan sinyalin alındığını teyit etmek için sesli uyarı verir. Sinyaller, ünitenin 45° sağ ve solundaki alanda üniteye doğru direkt bir hattan yaklaşık 7 metre mesafeye kadar alınabilir. Ancak floresan ışıklar ve güçlü ışık gibi aydınlatma, iç mekan ünitesinin sinyal alma kabiliyetini etkileyebilir.
- İç mekan ünitesindeki alıcının yakınındaki işletim lambası yanıp sönüyorsa ünitenin kontrol edilmesi gerekmektedir. Servis için satıcınıza danışın
- Uzaktan kumandayı dikkatli kullanın! Uzaktan kumandayı düşürmeyin ve güçlü darbelerle maruz bırakmayın. Bunun yanı sıra uzaktan kumandayı ıslatmayın ve yüksek nemlilikteki mekanlarda bırakmayın.
- Uzaktan kumandayı yanlış bir yere koymamak için uzaktan kumandayla beraber verilen tutacağı duvara monte edin ve kumandayı kullandıktan sonra tutacağıya bıraktığınızdan emin olun.

Pil takma/değiştirme

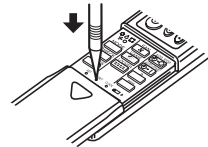
1. Üst kapağı yerinden çıkartın, iki adet AAA boy pili yerleştirin ve üst kapağı kapatın.



Üst kapak

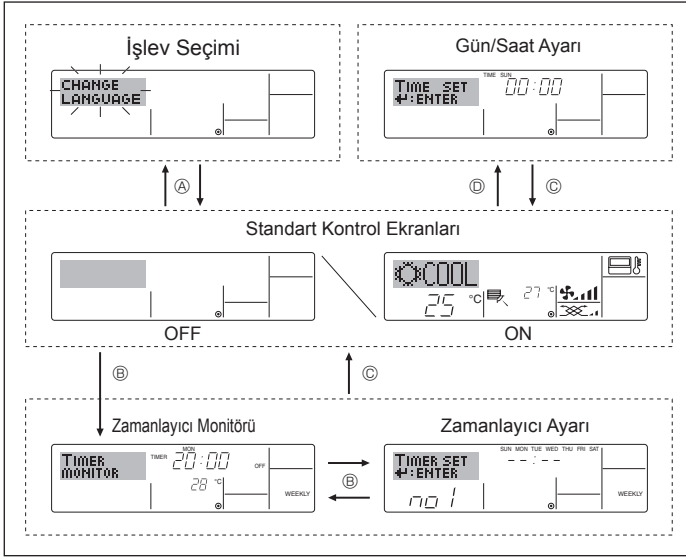
İki adet AAA boy pil
Önce pillerin negatif
(-) uçlarını yerleştirin.
Pilleri doğru yönde (+,
-) yerleştirin!

2. Reset (Sıfırla) düğmesine basın.



Reset (Sıfırla)
düğmesine sivri uçlu
bir nesne ile basın.

3. Ekran Konfigürasyonu



<Ekran Türleri>

Ekran dili Türkçeye ayarlanmamaktadır. Bu sebeple, bu kitapçıktaki ekranlarda ilk ayarlanan dil, İngilizce görünmektedir.

- **İşlev Seçimi:** Uzaktan kumandada yapılabilen işlevler ve aralıkları ayarlar (zamanlayıcı işlevleri, işletim sınırlamaları, vb.)
- **Gün/Saat Ayarı:** Haftanın hangi günündeyken, o günü veya o anki saati ayarlar.
- **Standart Kontrol Ekranları:** Klima sisteminin işletim durumunu gösterir ve ayarlar.
- **Zamanlayıcı Monitörü:** O anda ayarlı olan zamanlayıcıyı gösterir (haftalık zamanlayıcı, basit zamanlayıcı veya Otomatik Kapanma zamanlayıcısı)
- **Zamanlayıcı Ayarı:** Zamanlayıcılardan birinin çalışmasını ayarlar (haftalık zamanlayıcı, basit zamanlayıcı veya Otomatik Kapanma zamanlayıcısı).

<Ekranı değiştirme>

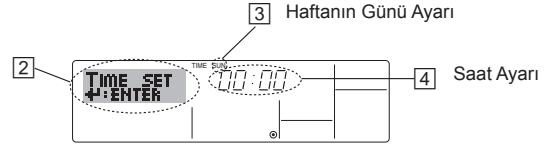
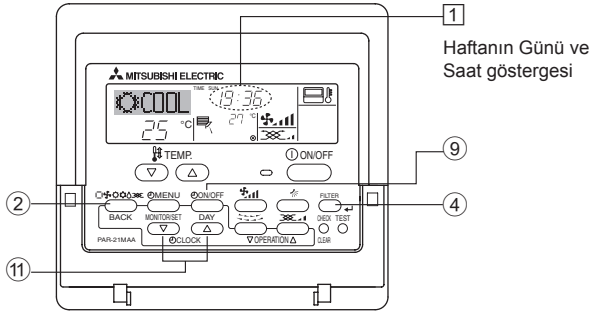
Buraya gitmek için (A) : Çalıştırma Modu düğmesini basılı tutarak Zamanlayıcı Açma/Kapama düğmesine 2 saniye basın.

Buraya gitmek için (B) : Zamanlayıcı Menü düğmesine basın.

Buraya gitmek için (C) : Çalıştırma Modu düğmesine (Dönüş düğmesi) basın.

Buraya gitmek için (D) : Saat Ayarı düğmelerinden birine (▽ veya △) basın.

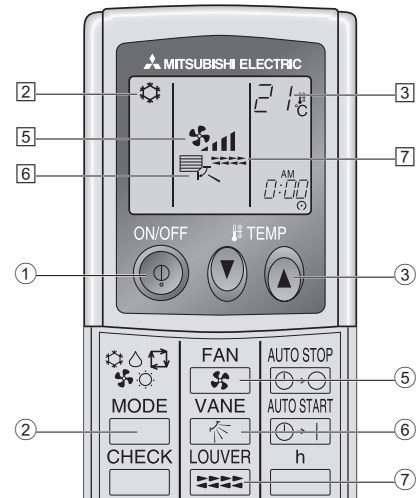
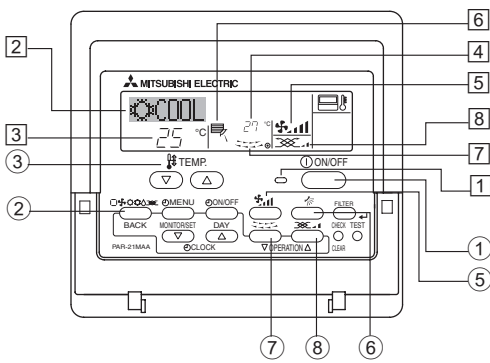
4. Haftanın Günü ve Saati Ayarlama



1. Göstergenin görünmesi için ▽ veya △ Saat Ayarı (4) düğmesine basın (2).
2. Günü ayarlamak için, Zamanlayıcı Açık/Kapalı (Günü Ayarla) düğmesine (9) basın.
* Her basılıştta gün gösterildiği gibi ilerler (3) : Sun → Mon → ... → Fri → Sat.
3. Saati ayarlamak için gereken Saat Ayar düğmesine (11) basın.
* Düğmeyi basılı tuttukça, saat (4) önce dakika, sonra on dakika, sonra da bir saatlik aralıklarla artar.
4. 2. ve 3. adımlarda uygun ayarları yaptıktan sonra, değerleri kilitlemek için Filtre ← düğmesine (4) basın.

Not: İşlev Seçiminde saat devre dışı bırakılmışsa, gün ve saat görünmez.

5. Çalışma



5.1. Açma/kapama

<Çalıştırmayı Başlatmak İçin>

■ ON/OFF düğmesine (1) basın.

- AÇIK lambası (2) ve gösterge alanı ışığı yanar.

Not:

• Ünite yeniden başlatıldığında, başlangıç ayarları aşağıdaki gibi olur.

Uzaktan Kumanda ayarları			
Mod	Son çalıştırma modu ayarı		
Sıcaklık ayarı	Son sıcaklık ayarı		
Fan hızı	Son fan hızı ayarı		
Hava akımı yukarı/aşağı	Mod	COOL veya DRY	Son ayar
		HEAT	Son ayar
		FAN	Son ayar

<Çalışmayı Durdurmak İçin>

■ ON/OFF düğmesine (1) tekrar basın.

- AÇIK lambası (2) ve gösterge alanı ışığı söner.

Not:

Çalışma sırasında cihazı kapattıktan hemen sonra ON/OFF (açma/kapama) düğmesine basarsanız bile klima cihazı yaklaşık üç dakika süreyle çalışmaya başlamaz. Bunun amacı cihazın iç aksamının hasar görmesini önlemektir.

5. Çalışma

<Çalışmayı Durdurmak İçin>

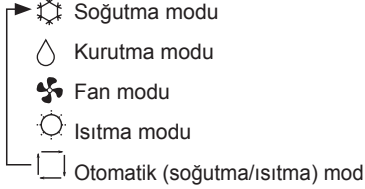
- ON/OFF düğmesine ① tekrar basın.
 - AÇIK lambası ① ve gösterge alanı ışığı söner.

Not:

Çalışma sırasında cihazı kapattıktan hemen sonra ON/OFF (açma/kapama) düğmesine basarsanız bile klima cihazı yaklaşık üç dakika süreyle çalışmaya başlamaz. Bunun amacı cihazın iç aksamının hasar görmesini önlemektir.

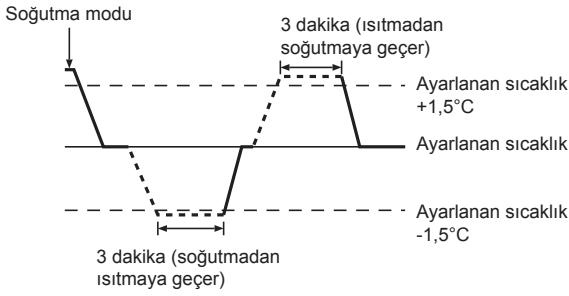
5.2. Çalıştırma modu seçimi

- Çalıştırma modu (☐☐☐☐) düğmesine ② basarak çalıştırma modunu seçin ②.



Otomatik işletim

- Oda sıcaklığı ayarlanan bir ısıya göre çok yüksekse soğutma işlemi, çok düşükse ısıtma işlemi başlar.
- Otomatik işletim sırasında oda sıcaklığı ayarlanmış sıcaklığın 1,5 °C veya daha fazla üzerine çıkar ve 3 dakika boyunca böyle kalırsa klima soğutma moduna geçer. Benzer bir biçimde oda sıcaklığı 3 dakika boyunca ayarlanmış sıcaklığın 1,5 °C veya daha altında kalırsa klima ısıtma moduna geçer.



- Oda sıcaklığı sabit bir etkili sıcaklık sağlamak için otomatik olarak ayarlandığından arzulan sıcaklığa erişildiğinde soğutma işlemi ayarlanan oda sıcaklığından birkaç derece daha soğuk ve ısıtma işlemi de birkaç derece daha sıcak olarak gerçekleştirilir (otomatik enerji tasarrufu işlemi).

5.3. Sıcaklığı ayarlamak

► Oda sıcaklığını azaltmak için:

Gerekirse, istediğiniz sıcaklığı ayarlamak için (▼) düğmesine ③ basınız.

Seçilen sıcaklık görüntülenir ③.

► Oda sıcaklığını yükseltmek için:

Gerekirse, istediğiniz sıcaklığı ayarlamak için (▲) düğmesine ③ basınız.

Seçilen sıcaklık görüntülenir ③.

• Ayarlanabilecek sıcaklık değerleri:

Soğutma ve Kurutma: 19 - 30 °C

Isıtma: 17 - 28 °C

Otomatik: 19 - 28 °C

- Eğer oda sıcaklığı göstergedeki sıcaklıktan daha düşük veya yüksekse durumdan haberdar olmanız için göstergede 8 °C veya 39 °C yanıp söner.

5.4. Fan hızını ayarlamak

- Sistem çalışırken, Fan Hızı düğmesine ⑤ gereken sayıda basın.
 - Düğmeye her basıldığında güç değişir. O anda seçilen hız ⑤ üzerinde gösterilir.
 - Değişme sırası ve kullanılabilir ayarlar şöyledir.

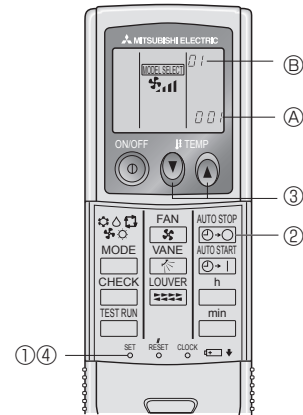
FAN HIZI	Gösterge
2 hızlı model	Hız 1 → Hız 2
3 hızlı model	Hız 1 → Hız 2 → Hız 3
4 hızlı + Oto*	Hız 1 → Hız 2 → Hız 3 → Hız 4 → Oto

* Sadece MA uzaktan kumanda içindir.

Kablosuz uzaktan kumanda için otomatik fan hızı ayarı gereklidir.

Not:

- Uygulanabilir fan hızı bağlanmış olan üniteye bağlıdır. Bazı ünitelerde "Otomatik" ayarı bulunmadığına da unutmayınız.
- Aşağıdaki durumlarda, ünitenin gerçek fan hızı uzaktan kumanda göstergesinde görünen hızdan farklı olur.
 1. Göstergede "STAND BY" veya "DEFROST" mesajı varsa.
 2. Isı değiştiricinin sıcaklığı ısıtma modundayken düşük bir seviyede. (Örneğin ısıtma işleminin başlamasının hemen ardından)
 3. ISI modunda, oda ortam sıcaklığı sıcaklık ayarından yüksek olduğunda.
 4. Cihaz KURUTMA modundayken.
- Otomatik fan hızı ayarı (Kablosuz uzaktan kumanda için) Kablosuz uzaktan kumandayı, yalnızca otomatik fan hızı varsayılan ayara getirilmemişse ayarlamak gerekir. Otomatik fan hızı ayarı varsayılan ayara getirilmişse, kablolu uzaktan kumandanın ayarlanması gerekmez.
 - ① Sivri uçlu herhangi bir şeyle SET düğmesine basın. Uzaktan kumanda ekranı kapalı olduğu zaman çalıştırın. MODEL SELECT yanıp söner ve Model No yanar ④.
 - ② AUTO STOP (OTOMATİK DURDURMA) (☐) düğmesine basın. ☐ yanıp söner ve ayar No yanar ⑤. (Ayar No.01: otomatik fan hızı olmadan)
 - ③ Ayar No.02'yi ayarlamak için sıcaklık (▲) (▼) düğmelerine basın. (Ayar No.02: otomatik fan hızı varken)Çalıştırmayı yanlış yapacak olursanız, ON/OFF (AÇMA/KAPAMA) (☐) düğmesine basıp, yeniden prosedür ②'den başlayarak çalıştırın.
 - ④ Sivri uçlu herhangi bir şeyle SET düğmesine basın. MODEL SELECT ve Model No. 3 saniye yanar, sonra kapanır.



5. Çalışma

5.5. Hava akımı yukarı/aşağı yönünün ayarlanması

<Hava Akımı Yukarı/Aşağı Yönünü Değiştirmek İçin>

- Cihaz çalışırken, Hava Akımı Yukarı/Aşağı düğmesine ⑥ gereken sayıda basın.
 - Düğmeye her basıldığında yön değişir. O andaki yön ⑥ üzerinde gösterilir.
 - Değişme sırası ve kullanılabilir ayarlar şöyledir.

Hava akımı	Ekran
4 adımlı model	
5 adımlı model*1	

* Salınım işletimi sırasında, ekrandaki yön göstergesi cihazın yön kanatları ile eşzamanlı olarak değişmez.

* Bazı modeller yön ayarını desteklemez.

*1 Yalnızca MA uzaktan kumandası içindir; diğer uzaktan kumanda ekranı 4 adımlı modeldeki gibidir.

*2 Hava akım yönünün ayarlanması <Oto>
COOL/FAN/DRY : ayarlanması 1 (Yatay),
HEAT : ayarlanması 5 (Aflağı doğru 5)

Not:

- Uygulanabilir yönler bağlanmış olan üniteye bağlıdır. Bazı ünitelerde "Otomatik" ayarı bulunmadığını da unutmayınız.
- Aşağıdaki durumlarda, ünitenin gerçek hava yönü uzaktan kumanda göstergesinde görünenden farklı olur.
 1. Göstergede "STAND BY" veya "DEFROST" mesajı varsa.
 2. Isıtıcı modu başlatıldıktan hemen sonra (sistem çalışma modu değişikliğinin uygulanmasını beklerken).
 3. Isıtıcı modunda, oda ortam sıcaklığı sıcaklık ayarından yüksek olduğunda.

<[Elle] Hava akımının Sol/Sağ Yönünü Değiştirmek İçin>

* Izgara Louver düğmesi ⑦ kullanılamaz.

■ Model PKFY-P-VKM-E

- Ünitenin çalışmasını durdurun, louver kolunu tutun ve istenen yönde ayarlayın.
- * Ünite soğutma veya kurutma modundayken, iç yönü ayarlamayın, çünkü yoğuşma ve su damlaması riski vardır.



⚠ Dikkat:

Düşmesini önlemek için, üniteyi işletirken sağlam bir zemine yerleştirin.

5.6. Havalandırma

► LOSSNAY kombinasyonu için

5.6.1. Kablolu uzaktan kumanda için

- Havalandırmayı iç ünite ile birlikte çalıştırmak için:
 - ON/OFF düğmesine basın ①.
 - Havalandırma göstergesi ekranda (⑧ konumunda) görünür. Artık iç ünite her çalıştığında havalandırma otomatik olarak çalışır.
- Havalandırmayı sadece iç ünite kapalıyken çalıştırmak için:
 - İç ünite kapalıyken Havalandırma düğmesine ⑧ basın.
 - Havalandırma göstergesindeki (⑧) AÇIK lambası ① yanar.
- Havalandırma gücünü değiştirmek için:
 - Havalandırma düğmesine ⑧ gereken sayıda basın.
 - Düğmeye her basıldığında ayar aşağıdaki biçimde değişir.



Not:

- Bazı model konfigürasyonlarında, havalandırmayı bağımsız çalışacak şekilde ayarlasanız bile iç üniteye fan devreye girebilir.

6. Zamanlayıcı

6.1. Kablolu uzaktan kumanda için

Üç tip zamanlayıcıdan hangisinin kullanılacağını seçmek için İşlev Seçimini kullanabilirsiniz: ① Haftalık zamanlayıcı, ② Basit zamanlayıcı veya ③ Otomatik Kapanma zamanlayıcısı.

6.1.1. Haftalık Zamanlayıcı

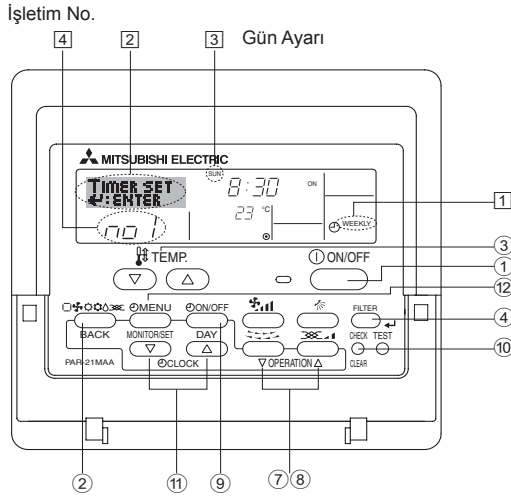
■ Haftalık zamanlayıcı haftanın her günü için sekize kadar çalışma için ayarlanabilir.

- Her çalışma şunlardan herhangi birini içerebilir: AÇMA/KAPAMA zamanı ile birlikte sıcaklık ayarı, sadece AÇMA/KAPAMA zamanı veya sadece sıcaklık ayarı.
- Bu zamanlayıcıda ayarlanmış olan saatte, klima zamanlayıcı tarafından belirlenmiş olan işlemi yapar.

■ Bu zamanlayıcı için zaman ayarı birimi 1 dakikadır.

Not:

- *1. Haftalık Zamanlayıcı/Basit Zamanlayıcı/Otomatik Kapanma aynı anda kullanılamaz.
- *2. Şu koşullardan biri geçerli olduğunda haftalık zamanlayıcı çalışmaz. Zamanlayıcı özelliği kapalı; sistem olağandışı bir durumda; test çalışması sürmekte; uzaktan kumanda oto-kontrol veya tanı yapmakta; kullanıcı bşr işlev ayarlaması yapmakta; kullanıcı zamanlayıcı ayarını yapmakta; kullanıcı haftanın günü ve saat ayarını yapmakta; sistem merkezi kontrol altında. (Özellikle, sistem bu durumlarda devre dışı olan işlemleri (ünite açık, ünite kapalı veya sıcaklık ayarı) yapmaz.)



<Haftalık Zamanlayıcının Ayarlanması>

1. Standart kontrol ekranında olduğunuzdan ve ekranda haftalık zamanlayıcı göstergesinin ① görüldüğünden emin olun.
2. Ekranda "Set Up" yazısı (②) görünene kadar Zamanlayıcı Menü düğmesine ③ basın. (Düğmeye her basıldığında gösterge "Set Up" ve "Monitor" arasında geçiş yapar.)
3. Günü ayarlamak için, Zamanlayıcı Açık/Kapalı düğmesine ④ basın. Her basılışta gösterge ⑤ aşağıda gösterildiği sırada ilerler. "Sun Mon Tues Wed Thurs Fri Sat" → "Sun" → ... → "Fri" → "Sat" → "Sun Mon Tues Wed Thurs Fri Sat"...
4. Uygun işletim numarasını (1 – 8) ⑥ seçmek için ∇ veya △ Çalıştırma düğmesine (⑦ veya ⑧) gereken sayıda basın.
 - * 3 ve 4 Adımlarda girdikleriniz aşağıda gösterilen matristeki hücrelerden birini seçer.(Soldaki uzaktan kumanda göstergesi, aşağıda gösterilen değerlerle Pazar günü için İşletim 1 ayarını yaptığınızda ne görüneceğini göstermektedir.)

Ayar Matrisi

İşlet. No.	Pazar	Pazartesi	...	Cumartesi
No. 1	• 8:30 • ON • 23 °C			
No. 2	• 10:00 • OFF	• 10:00 • OFF	• 10:00 • OFF	• 10:00 • OFF
...				
No. 8				

<Pazar günü için İşletim 1 ayarları>
Klimayı saat 8:30'da başlat, sıcaklık ayarı 23 °C.

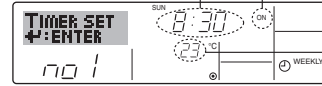
<Her gün için İşletim 2 ayarları>
Klimayı saat 10:00'da kapat.

Not:

Günü "Sun Mon Tues Wed Thurs Fri Sat" şeklinde ayarlayarak, her gün aynı saatte aynı işlemin yapılmasını sağlayabilirsiniz. (Örnek: Haftanın tüm günlerini iptal etmek için aynı şekilde yukarıdaki İşletim 2.)

<Haftalık Zamanlayıcının Ayarlanması>

Zaman ayarını ⑤ gösterir
Seçilen işletimi gösterir (KAPALI veya AÇIK)
* İşletim ayarlanmamışsa görünmez.



Sıcaklık ayarını gösterir
* Sıcaklık ayarlanmamışsa görünmez.

5. İstedığınız zamanı (⑤) seçmek için Saat Ayarı düğmesine ① gereken sayıda basın.
 - * Düğmeyi basılı tuttukça, saat önce dakika, sonra on dakika, sonra da bir saatlik aralıklarla artar.
6. İsteddiğiniz işletimi (⑥) seçmek için ON/OFF düğmesine ① basın.
 - * Her basılışta ayar aşağıda gösterildiği sırada ilerler: gösterge yok (ayar yok) → "ON" → "OFF"

6. Zamanlayıcı

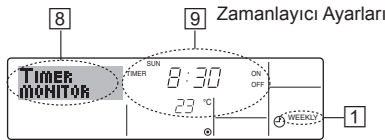
7. İstedığınız sıcaklığı (17) ayarlamak için uygun Sıcaklık Ayarı düğmesine ③ basın.
- * Her basılıştta ayar aşağıda gösterildiği sırada ilerler: gösterge yok (ayar yok) ⇔ 24 ⇔ 25 ⇔ ... ⇔ 29 ⇔ 30 ⇔ 12 ⇔ ... ⇔ 23 ⇔ gösterge yok.
 - (Kullanılabilir aralık: Sıcaklık ayar aralığı 12 °C - 30 °C'dir. Ancak, sıcaklığın gerçekte kontrol edilebildiği aralık bağlı olan ünite tipine göre değişir.)
8. 5, 6 ve 7 adımlarda uygun ayarları yaptıktan sonra, değerleri kilitlemek için Filtre 4 düğmesine ④ basın.
- Seçilen işletim için o an ayarlanmış değerleri temizlemek için, Kontrol (Temizle) düğmesine ⑩ bir kez basıp hemen serbest bırakın.
- * Ekranda görünen zaman ayarı "—:—" olarak değişir ve Açma/Kapama ve sıcaklık ayarı göstergeleri görünmez olur.
 - (Tüm haftalık zamanlayıcı ayarlarını temizlemek için Temizle düğmesine ⑩ basıp 2 saniye veya daha fazla basılı tutun. Gösterge yanıp sönmeye başlar ve tüm ayarların temizlendiğini gösterir.)

Not:

Filtre 4 düğmesine ④ basmadan önce Çalıştırma modu (Dönüş) düğmesine ② basarsanız, yeni girdiğiniz değerler iptal edilir. İki veya daha fazla işlemi aynı anda çalıştırmayı seçtiyseniz, sadece işletim numarası en yüksek olan işlem yapılır.

9. İsteddiğiniz şekilde gereken sayıda hücreyi doldurmak için 3 ila 8 adımları tekrarlayın.
10. Ayar işlemi tamamlamak ve standart kontrol ekranına dönmek için Çalıştırma modu (Dönüş) düğmesine ② basın.
11. Zamanlayıcıyı etkinleştirmek için, "Timer Off" göstergesi ekrandan silinene kadar Zamanlayıcı Açık/Kapalı ⑨ düğmesine basın.
- "Timer Off" göstergesinin artık görünmediğinden emin olun.**
- * Zamanlayıcıyı ayarı yoksa, "Timer Off" göstergesi ekranda yanıp söner.

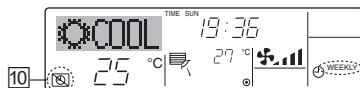
<Haftalık Zamanlayıcı Ayalarının İzlenmesi>



1. Haftalık zamanlayıcı göstergesinin (11) ekranda görüldüğünden emin olun.
2. Ekranda "Monitor" yazısı (12) görünene kadar Zamanlayıcı Menü düğmesine ② basın.
3. İzlemek istediğiniz günü seçmek için, Zamanlayıcı Açık/Kapalı (Günü Ayarla) düğmesine basın.
4. Ekranda gösterilen zamanlayıcı işletim göstergesini (13) değiştirmek için, ∇ veya △ çalıştırma modu düğmesine (7) veya (8) gereken sayıda basın.
- * Her basılıştta zaman ayar sırasıyla, bir sonraki işleme geçer.
5. Monitörü kapatmak ve standart kontrol ekranına dönmek için Çalıştırma modu (Dönüş) düğmesine ② basın.

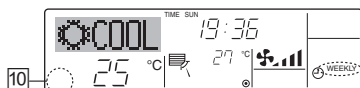
<Haftalık Zamanlayıcının Kapatılması>

Ekranda "Timer Off" yazısı (10) görünene kadar Zamanlayıcı Açma/kapama düğmesine ⑨ basın.



<Haftalık Zamanlayıcının Açılması>

"Timer Off" yazısı (10) sönene kadar Zamanlayıcı Açma/kapama düğmesine ⑨ basın.



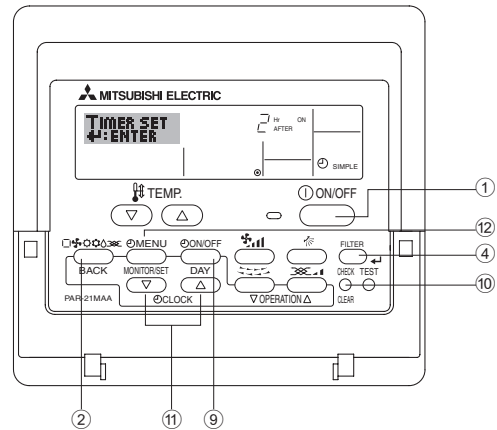
6.1.2. Basit Zamanlayıcı

Basit zamanlayıcıyı üç şekilde ayarlayabilirsiniz.

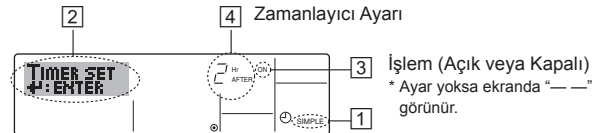
- Sadece başlangıç zamanı:
Belirtilen zaman geçince klima çalışmaya başlar.
 - Sadece durma zamanı:
Belirtilen zaman geçince klima durur.
 - Başlangıç ve durma zamanları:
Belirtilen zaman geçince klima çalışmaya başlar ve sonra durur.
- Basit zamanlayıcı (başlama ve durma) 72 saatlik süre içinde sadece bir kez ayarlanabilir.
- Zaman ayarı saatlik artışlarla yapılır.

Not:

- *1. Haftalık Zamanlayıcı/Basit Zamanlayıcı/Otomatik Kapanma aynı anda kullanılamaz.
- *2. Şu koşullardan biri geçerli olduğunda basit zamanlayıcı çalışmaz. Zamanlayıcı kapalı; sistem olağandışı bir durumda; test çalışması sürmekte; uzaktan kumanda oto-kontrol veya tanı yapmakta; kullanıcı bir işlem seçmekte; veya sistem merkezi kontrol altında ise. (Bu koşullarda Açma/Kapama işlemi devre dışıdır.)



<Basit Zamanlayıcının Ayarlanması>



1. Standart kontrol ekranında olduğunuzdan ve ekranda basit zamanlayıcı göstergesinin (1) görüldüğünden emin olun. Basit Zamanlayıcı dışında bir şey görünüyorsa, işlem seçimi zamanlayıcı işlev ayarını kullanarak onu SIMPLE TIMER ayarına getirin (bkz. 8.[4]-3 (3)).
2. Ekranda "Set Up" yazısı (2) görünene kadar Zamanlayıcı Menü düğmesine ② basın. (Düğmeye her basıldığında gösterge "Set Up" ve "Monitor" arasında geçiş yapar.)
3. O an geçerli basit zamanlayıcı AÇMA veya KAPAMA ayarını görüntülemek için ON/OFF düğmesine (1) basın. Açılma zamanına kalan süreyi göstermek için düğmeye bir kez ve Kapanma zamanına kalan süreyi göstermek için düğmeye bir kez daha basın. (AÇMA/KAPAMA göstergesi görünür (3)).
- Zamanlayıcı açık "ON":
Belirtilen sayıda saat geçince klima çalışmaya başlar.
- Zamanlayıcı kapalı "OFF":
Belirtilen sayıda saat geçince klima çalışmayı durdurur.
4. (3) üzerinde "ON" veya "OFF" görünürken: (4) üzerinde açılma zamanına (ekranda "ON" görünüyorsa) veya Kapanma zamanına (ekranda "OFF" görünüyorsa) kalan süreyi ayarlamak için gereken Saat Ayar düğmesine (1) basın.
- Kullanılabilir aralık: 1 - 72 saat
5. Hem AÇMA hem de KAPAMA zamanını ayarlamak için 3 ve 4 Adımları tekrarlayın.
- * AÇMA ve de KAPAMA zamanı aynı değere ayarlanamaz.
6. Geçerli KAPALI veya AÇIK ayarını silmek için: AÇMA veya KAPAMA ayarını görüntüleyin (bkz. adım 3) ve sonra zaman ayarı "—" olarak temizlenene kadar (4) Kontrol (Temizle) düğmesine ⑩ basın. (Sadece bir AÇMA veya KAPAMA ayarı kullanmak istiyorsanız, kullanmak istemediğiniz ayar "—" olarak görünmelidir.)

6. Zamanlayıcı

7. Yukarıda 3. ila 6. adımları tamamladıktan sonra, değeri kilitlemek için Filtre \leftarrow düğmesine ④ basın.

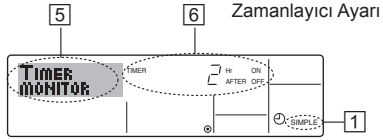
Not:

Filtre \leftarrow düğmesine ④ basmadan önce Mod (Dönüş) düğmesine basarsanız, yeni ayarlarınız iptal edilir.

8. Standart kontrol ekranına dönmek için Mod (Dönüş) düğmesine ② basın.

9. Zamanlayıcı geri sayımını başlatmak için, Zamanlayıcı Açma/Kapama düğmesine ⑨ basın. Zamanlayıcı çalışırken, zamanlayıcı değeri ekranda görünür. **Zamanlayıcı değerinin görüldüğünden ve doğru değer olduğundan emin olun.**

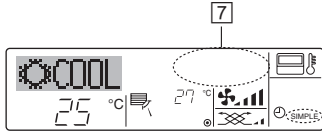
<Geçerli Basit Zamanlayıcı Ayarlarının İzlenmesi>



1. Basit zamanlayıcı göstergesinin (1) ekranda görüldüğünden emin olun.
2. Ekranda "Monitor" yazısı (5) görünene kadar Zamanlayıcı Menü düğmesine ② basın.
 - AÇMA veya KAPAMA basit zamanlayıcısı çalışıyorsa, o anki zamanlayıcı değeri 6 üzerinde görünür.
 - AÇMA ve KAPAMA değerlerinin ikisi birden ayarlanmışsa, iki değer dönüşümlü olarak görünür.
3. Monitör ekranını kapatmak ve standart kontrol ekranına dönmek için Mod (Dönüş) düğmesine ② basın.

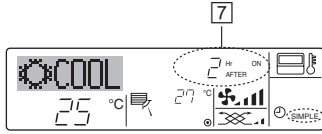
<Basit Zamanlayıcının Kapatılması...>

Ekranda (7) zamanlayıcı ayarı görünmez olana kadar Zamanlayıcı Açma/Kapama düğmesine ⑨ basın.



<Basit Zamanlayıcının Başlatılması...>

Ekranda (7) zamanlayıcı ayarı görünür olana kadar Zamanlayıcı Açma/Kapama düğmesine ⑨ basın.



Örnekler

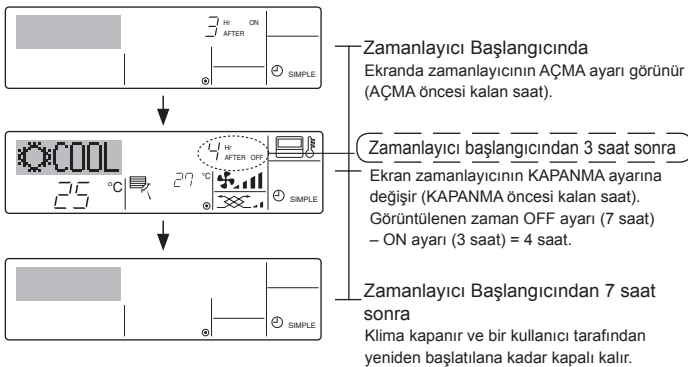
Basit zamanlayıcıda AÇMA ve KAPAMA değerlerinin ikisi birden ayarlanmışsa, iki değer şöyle görünür.

Örnek 1:

Zamanlayıcıyı AÇILMA zamanı KAPANMA zamanından önce olmak üzere başlatın

AÇMA Ayarı: 3 saat

KAPAMA Ayarı: 7 saat

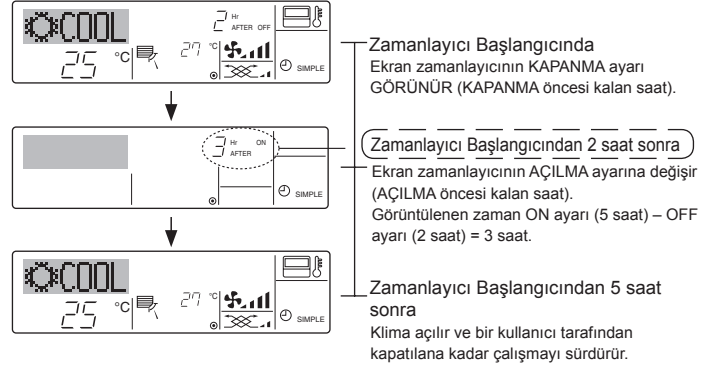


Örnek 2:

Zamanlayıcıyı KAPANMA zamanı AÇILMA zamanında önce olmak üzere başlatın

AÇMA Ayarı: 5 saat

KAPAMA Ayarı: 2 saat



6.1.3. Otomatik Kapanma Zamanlayıcısı

■ Bu zamanlayıcı, klima çalışmaya başladığında geri sayıma başlar ve belirlenen süre geçince klimayı kapatır.

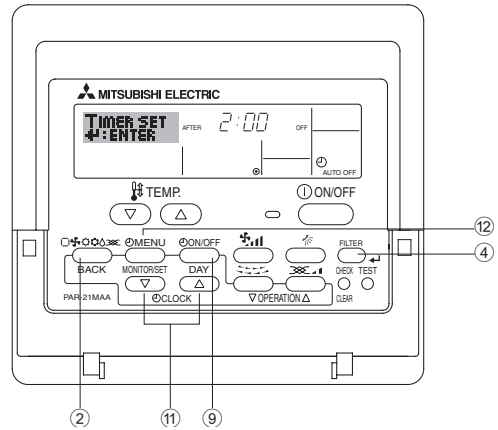
■ Kullanılabilir ayarlar, 30 dakika aralıklarla 30 dakika ile 4 saat arasındadır.

Not:

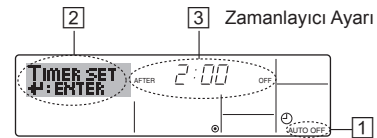
*1. Haftalık Zamanlayıcı/Basit Zamanlayıcı/Otomatik Kapanma aynı anda kullanılamaz.

*2. Şu koşullardan biri geçerli olduğunda Otomatik Kapanma zamanlayıcısı çalışmaz.

Zamanlayıcı kapalı; sistem olağandışı bir durumda; test çalışması sürmekte; uzaktan kumanda oto-kontrol veya tanı yapmakta; kullanıcı bir işlem seçmekte; veya sistem merkezi kontrol altında ise. (Bu koşullarda Açma/Kapama işlemi devre dışıdır.)



<Otomatik Kapanma Zamanlayıcısının Ayarlanması>



1. Standart kontrol ekranında olduğunuzdan ve ekranda Otomatik Kapanma zamanlayıcısı göstergesinin 1 görüldüğünden emin olun. Otomatik Kapanma Zamanlayıcısı dışında bir şey görünüyorsa, işlem seçimi zamanlayıcı işlev ayarını kullanarak onu AUTO OFF TIMER ayarına getirin (bkz. 8.[4]-3 (3)).
2. Ekranda "Set Up" yazısı (2) görünene kadar Zamanlayıcı Menü düğmesini (3) 3 saniye basılı tutun. (Düğmeye her basıldığında gösterge "Set Up" ve "Monitor" arasında geçiş yapar.)
3. KAPANMA zamanını (3) ayarlamak için, uygun Saat Ayarı düğmesine ① gereken sayıda basın.
4. Ayarı kilitlemek için Filtre \leftarrow düğmesine ④ basın.

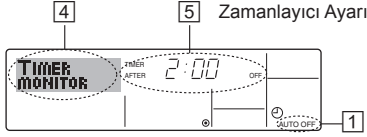
Not:

Filtre \leftarrow düğmesine ④ basmadan önce Çalıştırma modu (Dönüş) düğmesine ② basarsanız, girdiğiniz değerler iptal edilir.

5. Ayar işlemini tamamlamak ve standart kontrol ekranına dönmek için Çalıştırma modu (Dönüş) düğmesine ② basın.
6. Klima zaten çalışmaktaysa, zamanlayıcı derhal geri sayıma başlar. **Ekranda zamanlayıcı ayarlarının doğru görüldüğünden emin olun.**

6. Zamanlayıcı

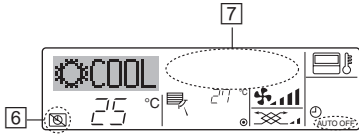
<Geçerli Otomatik Kapanma Ayarının Kontrol Edilmesi>



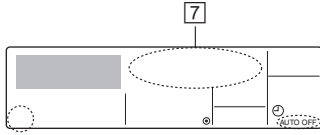
1. "Auto Off" göstergesinin (1) ekranda görüldüğünden emin olun.
2. Ekranda "Monitor" yazısı (4) görünene kadar Zamanlayıcı Menü düğmesini (2) 3 saniye basılı tutun.
 - Kapanmaya kalan zamanlayıcı süresi (5) üzerinde görünür.
3. Monitörü kapatmak ve standart kontrol ekranına dönmek için Çalıştırma modu (Dönüş) düğmesine (3) basın.

<Otomatik Kapanma Zamanlayıcısının Kapatılması...>

- Ekranda "Timer Off" yazısı (6) görünene ve zamanlayıcı değeri (7) görünmez olana kadar Zamanlayıcı Açma/kapama düğmesini (9) 3 saniye basılı tutun.

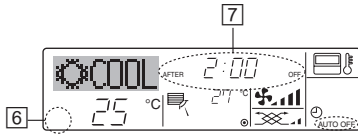


- Ya da klimayı kapatın. Zamanlayıcı değeri (7) ekrandan silinir.

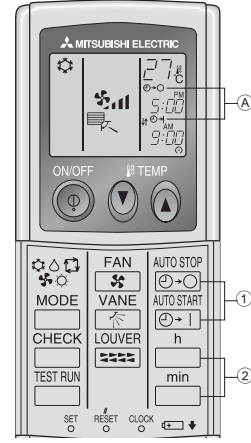


<Otomatik Kapanma Zamanlayıcısının Başlatılması...>

- Zamanlayıcı Açma/Kapama düğmesini (9) 3 saniye basılı tutun. "Timer Off" göstergesi görünmez olur (6) ve zamanlayıcı ayarı ekranda (7) görünür.
- Ya da klimayı açın. Zamanlayıcı değeri (7) ekranda görünür.



6.2. Kablosuz uzaktan kumanda için



1. AUTO STOP (1) veya AUTO START (2) düğmesine basın (TIMER SET).
- Aşağıdaki simge yanıp söner durumdayken zaman ayarı girilebilir. OFF (kapatma) zamanlayıcısı: (A) (1) yanıp söner. ON (açma) zamanlayıcısı: (A) (2) yanıp söner.
2. İstlenen saati ayarlamak için (h) ve (min) düğmelerini kullanın.
3. Zamanlayıcının iptal edilmesi. OFF zamanlayıcısını iptal etmek için (1) düğmesine basın. ON zamanlayıcısını iptal etmek için (2) düğmesine basın.
- OFF ve ON zamanlayıcılarını birlikte kullanmak mümkündür.
- Zamanlayıcı modundayken üniteyi kapatmak için uzaktan kumandanın (3) ON/OFF (açma/kapatma) düğmesine basılınca ünite zamanlayıcıları iptal eder.
- Eğer saat ayarı yapılmadıysa, zamanlayıcı ile çalışma yapılamaz.

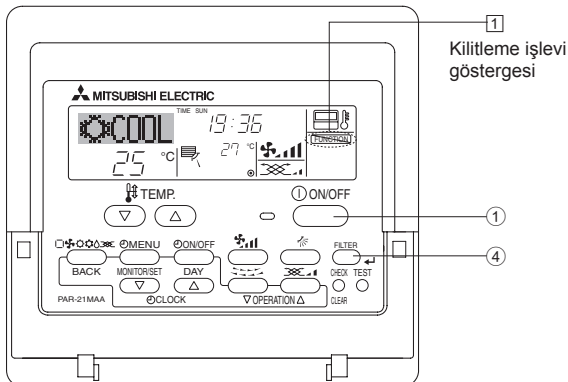
7. Diğer İşlevler

7.1. Uzaktan Kumanda Düğmelerini Kilitleme (Çalıştırma işlev limiti)

- İsterseniz, uzaktan kumanda düğmelerini kilitleyebilirsiniz. Kilitleme işlevi tiplerini seçmek için uzaktan kumandanın İşlev Seçimini kullanabilirsiniz. (Kilit tipi seçimi hakkında bilgi için, bkz. bölüm 8, madde [4]-2 (1).) Özellikle, şu iki kilitleme işlevi tipinden birini kullanabilirsiniz.

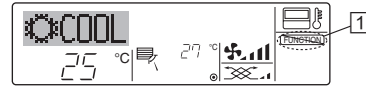
1. Lock All Buttons: Uzaktan kumandanın tüm düğmelerini kilitlet.
2. Lock All Except ON/OFF: ON/OFF düğmesi dışında tüm düğmeleri kilitlet.

Not: Düğmelerin kilitletiğini göstermek için ekranda "Locking function" göstergesi görünür.

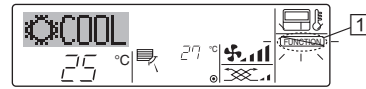


<Düğmelerin Kilitlemesi>

1. Filtre düğmesini (4) basılı tutarak, ON/OFF düğmesini (1) 2 saniye basılı tutun. Ekranda "Locking function" göstergesi görünür (1) ve kilitleme yapıldığını belirtir.
 - * Kilitleme İşlev Seçiminde devre dışı bırakılmışsa, yukarıda belirtilen düğmelere bastığınızda ekranda "Not Available" mesajı görünür.



- Kilitlemiş bir düğmeye bastığınızda ekranda "Locking function" göstergesi (1) yanıp söner.



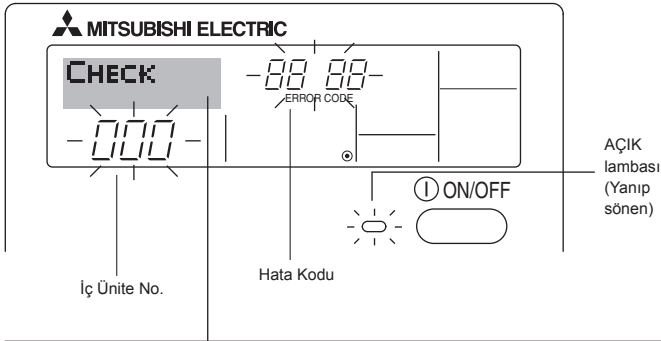
<Düğmelerde Kilidin Kaldırılması>

1. Filtre düğmesini (4) basılı tutarak, "Locking function" yazısı (1) ekrandan silinene kadar ON/OFF düğmesini (1) 2 saniye basılı tutun.



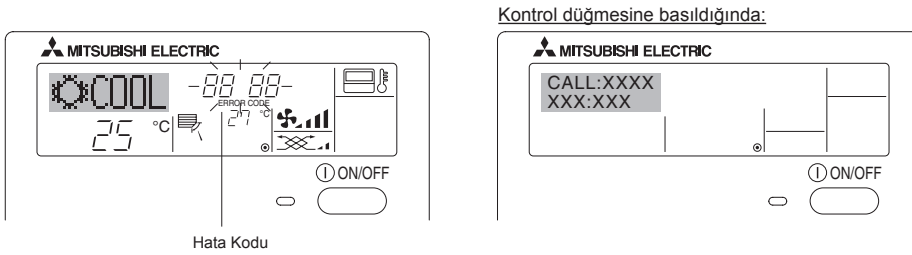
7. Diğer İşlevler

7.2. Hata Kodları göstergesi



Bir sorun olduğunda aranması için bir telefon numarası girdiyse, ekranda bu numara görünür. (Bunu İşlev Seçiminde ayarlayabilirsiniz. Daha fazla bilgi için 8. Bölüme bakınız.)

- AÇIK lambası ve hata kodu yanıp sönüyorsa: Klimanın bozuk olduğunu ve işletimin durduğunu (ve devam edemeyeceğini) gösterir. Belirtilen ünite numarasını ve hata kodunu not edin, sonra, klimayı kapatıp bayiinizi veya servisi arayın.



- Sadece hata kodu yanıp sönüyorsa (AÇIK lambası yanarken): İşletim devam ediyor, ama sistemde bir sorun olabilir. Bu durumda, hata kodunu not edin, sonra bayiinizi veya servisi arayın.
- * Bir sorun olduğunda aranması için bir telefon numarası girdiyse, ekranda bu numaranın görünmesi için Kontrol düğmesine basın. (Bunu İşlev Seçiminde ayarlayabilirsiniz. Daha fazla bilgi için 8. Bölüme bakınız.)

8. İşlev Seçimi

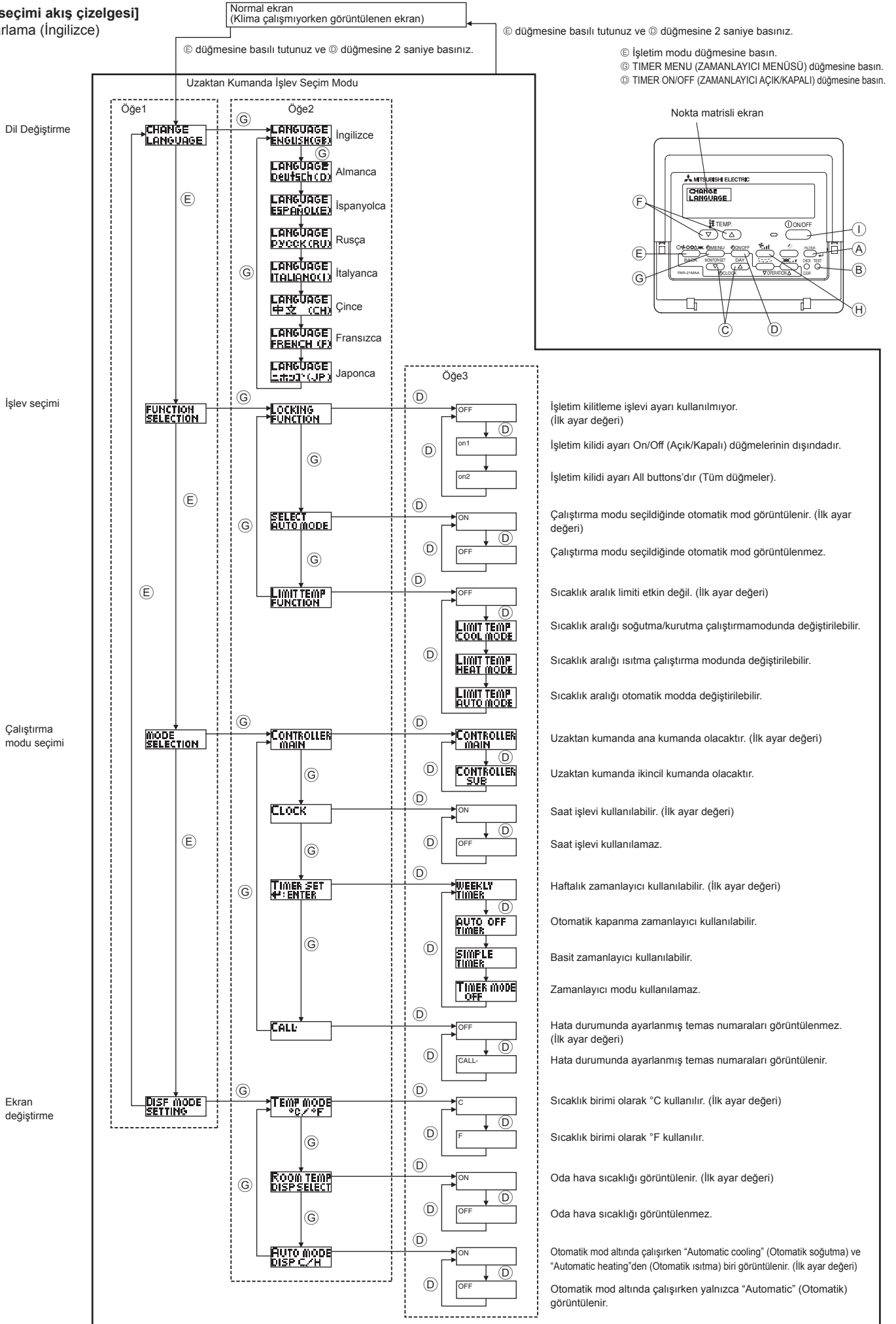
Uzaktan kumanda işlev seçimi

Aşağıdaki uzaktan kumanda işlevlerinin ayarları, uzaktan kumanda işlev seçimi modu kullanılarak değiştirilebilir. Ayarları, gerek duyduğunuzda değiştiriniz.

Öğe 1	Öğe 2	Öğe 3 (Ayar içeriği)
1. Dil Değiştirme ("CHANGE LANGUAGE")	Görüntülenecek dil ayar	• Çoklu dilde görüntüleme mümkündür
2. İşlev sınırı ("FUNCTION SELECTION")	(1) İşletim işlevi sınırlandırma ayarı (işletim kilidi) ("LOCKING FUNCTION")	• İşletim sınırı aralığının ayarlanması (işletimi kilitleme işlevi)
	(2) Otomatik mod ayarının kullanımı ("SELECT AUTO MODE")	• "Automatic" (Otomatik) işletim modunun kullanılıp kullanılmayacağını ayarlanması
	(3) Sıcaklık aralığı sınırlandırma ayarı ("LIMIT TEMP FUNCTION")	• Ayarlanabilir sıcaklık aralığının (maksimum, minimum) ayarlanması
3. Mod seçimi ("MODE SELECTION")	(1) Uzaktan kumanda ana/ikincil ayarı ("CONTROLLER MAIN/SUB")	• Ana veya ikincil uzaktan kumandanın seçilmesi * Bir gruba iki uzaktan kumanda bağlandığında, bir uzaktan kumanda ikincil olarak ayarlanmalıdır.
	(2) Saat ayarının kullanımı ("CLOCK")	• Saat işlevinin kullanılıp kullanılmayacağını ayarlanması
	(3) Zamanlayıcı işlevi ayarı ("WEEKLY TIMER")	• Zamanlayıcı tipinin ayarlanması
	(4) Hata durumları için temas numarası ayarı ("CALL.")	• Bir hata durumunda görüntülenecek temas numarası ekranı • Telefon numarasının ayarlanması
4. Ekran değiştirme ("DISP MODE SETTING")	(1) Sıcaklık ekranı °C/°F ayarı ("TEMP MODE °C/°F")	• Görüntülenecek sıcaklık biriminin ayarlanması (°C veya °F)
	(2) Emilen hava sıcaklık ekranı ayarı ("ROOM TEMP DISP SELECT")	• İç mekan (emilen) hava sıcaklığı ekranının kullanılıp kullanılmayacağını ayarlanması
	(3) Otomatik soğutma/ısıtma ekranı ayarı ("AUTO MODE DISP C/H")	• Otomatik modda işletim sırasında "Cooling" (Soğutma) veya "Heating" (Isıtma) ekranının kullanılıp kullanılmayacağını ayarlanması

8. İşlev Seçimi

[İşlev seçimi akış çizelgesi] Dil ayarlama (İngilizce)



8. İşlev Seçimi

[Ayrıntılı ayarlama]

[4]-1. CHANGE LANGUAGE (DİL DEĞİŞTİRME) ayar

Nokta matrisli ekranda görüntülenecek dil seçilebilir.

- Dili değiştirmek için [⊕ MENU] düğmesine ⊕ basınız.
 - ① İngilizce (GB), ② Almanca (D), ③ İspanyolca (E),
 - ④ Rusça (RU), ⑤ İtalyanca (I), ⑥ Çince (CH), ⑦ Fransızca (F), ⑧ Japonca (JP)

Nokta matrisli görüntü tablosuna başvurun.

[4]-2. İşlev sınır

(1) İşletim işlevi sınırlandırma ayarı (işletimi kilitleme işlevi)

- Ayarı değiştirmek için [⊕ ON/OFF] düğmesine ⊕ basınız.
 - ① no1 : İşletim kilidi ayarı, [⊕ ON/OFF] düğmesi dışındaki tüm düğmelerde etkinleştirilir.
 - ② no2 : İşletim kilidi ayarı tüm düğmelerde etkinleştirilir.
 - ③ OFF (ilk ayar değeri): İşletim kilidi ayarı etkinleştirilmez.
- * İşletim kilidi ayarını normal ekranda da geçerli kılmak için, yukarıdaki ayarlar yapıldıktan sonra normal ekranda düğmelere basmak gereklidir ([FILTER] ve [⊕ ON/OFF] düğmelerine aynı anda 2 saniye basınız).

(2) Otomatik modunun kullanımı

Uzaktan kumanda, otomatik işletim modu bulunan bir üniteye bağlandığında aşağıdaki ayarlar yapılabilir.

- Ayarı değiştirmek için [⊕ ON/OFF] düğmesine ⊕ basınız.
 - ① ON (ilk ayar değeri): İşletim modu seçildiğinde otomatik mod görüntülenir.
 - ② OFF: İşletim modu seçildiğinde otomatik mod görüntülenmez.

(3) Sıcaklık aralığı sınırlandırma ayarı

Ayarlama yapıldıktan sonra, sıcaklık, ayarlanan aralık dahilinde değiştirilebilir.

- Ayarı değiştirmek için [⊕ ON/OFF] düğmesine ⊕ basınız.
 - ① LIMIT TEMP COOL MODE: Sıcaklık aralığı, soğutma/kurutma modunda değiştirilebilir.
 - ② LIMIT TEMP HEAT MODE: Sıcaklık aralığı, ısıtma modunda değiştirilebilir.
 - ③ LIMIT TEMP AUTO MODE: Sıcaklık aralığı, otomatik modunda değiştirilebilir.
 - ④ OFF (ilk ayar): Sıcaklık aralık sınırı etkin değildir.
- * OFF (KAPALI) dışında bir ayar seçildiğinde, soğutma, ısıtma ve otomatik modundaki sıcaklık aralık sınırı ayarı aynı anda yapılır. Ancak, ayarlanan sıcaklık aralığı değişmediğinde aralık sınırlandırılmaz.
- Sıcaklığı arttırmak veya azaltmak için [TEMP. (▽) veya (Δ)] düğmesine ⊕ basınız.
- Üst sınır ayarı ve alt sınır ayarına geçmek için [TEMP. (▽) veya (Δ)] düğmesine ⊕ basınız. Seçilen ayar yanıp sönecektir ve sıcaklık ayarlanabilir. Üst sınır ayarı ve alt sınır ayarına geçmek için [TEMP. (▽) veya (Δ)] düğmesine ⊕ basınız. Seçilen ayar yanıp sönecektir ve sıcaklık ayarlanabilir.
- Ayarlanabilir aralık
Soğutma/Kurutma modu:
Alt sınır: 19°C ila 30°C Üst sınır: 30°C ila 19°C
Isıtma modu:
Alt sınır: 17°C ila 28°C Üst sınır: 28°C ila 17°C
Otomatik modu:
Alt sınır: 19°C ila 28°C Üst sınır: 28°C ila 19°C

[4]-3. Çalıştırma modu seçim ayarı

(1) Uzaktan kumanda ana/ikincil ayar

- Ayarı değiştirmek için [⊕ ON/OFF] düğmesine ⊕ basınız.
 - ① Main: Uzaktan kumanda, ana kumanda cihazı olacaktır.
 - ② Sub: Uzaktan kumanda, ikincil kumanda cihazı olacaktır.

(2) Saat ayarının kullanımı

- Ayarı değiştirmek için [⊕ ON/OFF] düğmesine ⊕ basınız.
 - ① ON: Saat işlevi kullanılabilir.
 - ② OFF: Saat işlevi kullanılamaz.

(3) Zamanlayıcı işlevi ayar

- Ayarı değiştirmek için [⊕ ON/OFF] düğmesine ⊕ basınız. (Aşağıdakilerden birini seçiniz.)
 - ① WEEKLY TIMER (ilk ayar değeri): Haftalık zamanlayıcı kullanılabilir.
 - ② AUTO OFF TIMER: Otomatik zamanlayıcı kullanılabilir.
 - ③ SIMPLE TIMER: Basit zamanlayıcı kullanılabilir.
 - ④ TIMER MODE OFF: Zamanlayıcı modu kullanılamaz.
- * Saat kullanımı ayarı OFF (KAPALI) ise, "WEEKLY TIMER" kullanılamaz.

(4) Hata durumları için temas numarası ayar

- Ayarı değiştirmek için [⊕ ON/OFF] düğmesine ⊕ basınız.
 - ① CALL OFF: Hata durumunda ayarlanmış temas numaraları görüntülenmez.
 - ② CALL **** * * * * *: Hata durumunda ayarlanmış temas numaraları görüntülenir. CALL : Temas numarası, ekran sol tarafta gösterildiği gibi olduğunda ayarlanabilir.
- Temas numaralarının ayarlanması
Temas numaralarını ayarlamak için aşağıdaki prosedürü izleyiniz.
Numaraları ayarlamak için imleci kaydırınız. İmleci sağa (sola) kaydırmak için [TEMP. (▽) ve (Δ)] düğmesine ⊕ basınız. Numaraları ayarlamak için [CLOCK (▽) ve (Δ)] düğmesine ⊕ basınız.

[4]-4. Ekran değiştirme ayar

(1) Sıcaklık ekranı °C/°F ayar

- Ayarı değiştirmek için [⊕ ON/OFF] düğmesine ⊕ basınız.
 - ① °C: Sıcaklık birimi olarak °C kullanılır.
 - ② °F: Sıcaklık birimi olarak °F kullanılır.

(2) Emilen hava sıcaklık ekranı ayar

- Ayarı değiştirmek için [⊕ ON/OFF] düğmesine ⊕ basınız.
 - ① ON: Emilen hava sıcaklığı görüntülenir.
 - ② OFF: Emilen hava sıcaklığı görüntülenmez.

(3) Otomatik soğutma/ısıtma ekranı ayar

- Ayarı değiştirmek için [⊕ ON/OFF] düğmesine ⊕ basınız.
 - ① ON: Otomatik modu devrede iken "Automatic cooling" (Otomatik soğutma) ve "Automatic heating" (Otomatik ısıtma) ibarelerinde biri görüntülenir.
 - ② OFF: Otomatik modunda yalnızca "Automatic" (Otomatik) ibaresi görüntülenir.

8. İşlev Seçimi

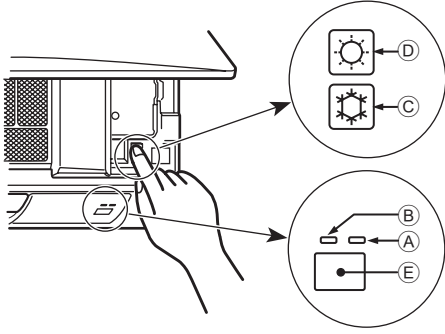
[Nokta matrisli görüntü tablosu]

Dil ayarlama		İngilizce	Almanca	İspanyolca	Rusça	İtalyanca	Çince	Fransızca	Japonca
Başlamaya bekliyor		PLEASE WAIT	←	←	←	←	←	←	←
Çalıştırma modu	Soğutma	COOL	Kühlen	FRÍO	Холод	COOL	制冷	FROID	冷房
	Kurutma	DRY	Trocknen	DESHUMIDIFICACIÓN	Сушка	DRY	除湿	DESHU	ドライ
	Isıtma	HEAT	Heizen	CALOR	Тепло	HEAT	制热	CHAUD	暖房
	Otomatik	AUTO	AUTO	AUTOMÁTICO	Авто	AUTO	自动	AUTO	自動
	Otomatik (Soğutma)	COOL	Kühlen	FRÍO	Холод	COOL	制冷	FROID	冷房
	Otomatik (Isıtma)	HEAT	Heizen	CALOR	Тепло	HEAT	制热	CHAUD	暖房
	Fan	FAN	Lüfter	VENTILACIÓN	Вент	VENTILAZIONE	送风	VENTILATION	送風
	Havalandırma	VENTILATION	Gelüftebetrieb	VENTILACIÓN	Вентиляция	ARIA ESTERNA	换气	VENTILATION	换气
	Hazır bekleme (Sıcak ayarlama)	STAND BY	STAND BY	CALENTANDO	ОБОГРЕВ: ПАУЗА	STAND BY	准备中	PRE CHAUFFAGE	準備中
Buz giderme	DEFROST	Alttauen	DESCONGELACIÓN	ОТТАВЛЕНИЕ	SBRINAMENTO	除霜中	DEGIVRAGE	霜取中	
Ayarlanan sıcaklık	SET TEMP	TEMP einstellen	TEMP. CONSIGNA	ЦЕЛЕВАЯ ТЕМПЕРАТУРА	IMPOSTAZIONE TEMPERATURA	设定温度	REGLAGE TEMPERATURE	設定温度	
Fan hızı	FAN SPEED	Lüftergeschwindigkeit	VELOCIDAD VENTILADOR	СКОРОСТЬ ВЕНТИЛЯТОРА	VELOCITÀ VENTILATORE	风速	VITESSE DE VENTILATION	風速	
Kullanmayın düğmesi	NOT AVAILABLE	Nicht Verfügbar	NO DISPONIBLE	НЕ ДОСТУПНО	NON DISPONIBILE	无效按钮	NON DISPONIBLE	無効ボタン	
Kontrol (Hata)	CHECK	Prüfen	COMPROBAR	ПРОВЕРКА	CHECK	检查	CONTROLE	点検	
Deneme çalışması	TEST RUN	Testbetrieb	TEST FUNCIONAMIENTO	ТЕСТОВЫЙ ЗАПУСК	TEST RUN	试运行	TEST	試運転	
Oto-kontrol	SELF CHECK	Selbst-diagnose	AUTO REVISIÓN	САМОАНАЛОГИКА	SELF CHECK	自我诊断	AUTO CONTROLE	自己診断	
Ünite işlev seçimi	FUNCTION SELECTION	Funktion auswählen	SELECCIÓN DE FUNCIÓN	ВЫБОР ФУНКЦИИ	SELEZIONE FUNZIONI	功能选择	SELECTION FUNCTIONS	キョウ選択	
Havalandırmanın ayarlanması	SETTING OF VENTILATION	Lüfterstufen wählen	CONFIG. VENTILACIÓN	НАСТРОЙКА ВЕНТУСТАЯ	IMPOSTAZIONE ARIA ESTERNA	换气设定	SELECTION VENTILATION	换气設定	

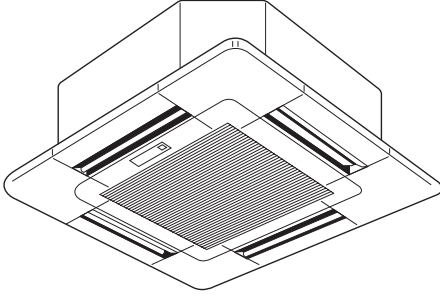
Dil ayarlama		İngilizce	Almanca	İspanyolca	Rusça	İtalyanca	Çince	Fransızca	Japonca
Dil Değiştirme		CHANGE LANGUAGE	←	←	←	←	←	←	←
İşlev seçimi		FUNCTION SELECTION	Funktion auswählen	SELECCIÓN DE FUNCIONES	ВЫБОР ФУНКЦИИ	SELEZIONE FUNZIONI	功能限制	SELECTION FUNCTIONS	キョウ制限
İşletim işlevi sınırlandırma ayarı		LOCKING FUNCTION	Sperre - Funktion	FUNCION BLOQUEADA	ФУНКЦИЯ БЛОКИРОВАН	BLOCCO FUNZIONI	操作限制	BLOCAGE FONCTIONS	操作ロック
Otomatik mod ayarının kullanılması		SELECT AUTO MODE	Auswahl auto betrieb	SELECCIÓN MODO AUTO	ВЫБОР РЕЖИМА АВТО	SELEZIONE MODO AUTO	自动模式	SELECTION DU MODE AUTO	自動モード
Sıcaklık aralığı sınırlandırma ayarı		LIMIT TEMP FUNCTION	Limit Temp Funktion	LIMIT TEMP CONSIGNA	ОГРАНИЧЕННЫЕ УЛТ.ТЕМПЕРАТ	LIMITAZIONE TEMPERATURA	温度限制	LIMITATION TEMPERATURE	温度制限
Sıcaklığı sınırlandırma soğutma/gün modu		LIMIT TEMP COOL MODE	Limit Kühl Temp	LIMIT TEMP MODO FRIO	ОГРАНИЧЕНО ОХЛАЖДЕНИЕ	LIMITAZIONE MODO COOL	制冷范围	LIMITE TEMP MODO FROID	制冷房
Sıcaklığı sınırlandırma ısıtma modu		LIMIT TEMP HEAT MODE	Limit Heiz Temp	LIMIT TEMP MODO CALOR	ОГРАНИЧЕН ОБОГРЕВ	LIMITAZIONE MODO HEAT	制热范围	LIMITE TEMP MODO CHAUD	制热房
Sıcaklığı sınırlandırma otomatik mod		LIMIT TEMP AUTO MODE	Limit Auto Temp	LIMIT TEMP MODO AUTO	ОГРАНИЧЕН РЕЖИМ АВТО	LIMITAZIONE MODO AUTO	自动范围	LIMITE TEMP MODO AUTO	制自动
Çalıştırma modu seçimi		MODE SELECTION	Betriebsart wählen	SELECCIÓN DE MODO	ВЫБОР РЕЖИМА	SELEZIONE MODO	基本模式	SELECTION DU MODE	基本キョウ
Uzaktan kumanda ayarı MAIN (ANA)		CONTROLLER MAIN	Haupt controller	CONTROL PRINCIPAL	Основной пульт	CONTROLLO MAIN	遥控主	TELOMMANDE MAITRE	リモコ主従
Uzaktan kumanda ayarı SUB (KINCİL)		CONTROLLER SUB	Neben controller	CONTROL SECUNDARIO	Дополнительный пульт	CONTROLLO SUB	遥控辅	TELOMMANDE ESCLAVE	リモコ主従
Saat ayarının kullanımı		CLOCK	Uhr	RELOJ	Часы	OROLOGIO	时钟	AFFICHAGE HORLOGE	時計 ヨコウ
Haftanın gününün ve saatinin ayarlanması		TIME SET +:ENTER	Uhr stellen +:einstellen	CONFIG RELOJ +:CONFIG	Часы: УСТ. +: ВВОД	OROLOGIO +: ENTER	时间 +: ENTER	HORLOGE +: ENTER	タイムセット +: カクタイ
Zamanlayıcının ayarı		TIMER SET +:ENTER	Zeitschaltuhr +:einstellen	TEMPORIZADOR +:CONFIG	Таймер: УСТ. +: ВВОД	TIMER +: ENTER	定时器 +: ENTER	PROG HORAIRE +: ENTER	タイム-セット +: カクタイ
Zamanlayıcı ekranı		TIMER MONITOR	Uhrzeit Anzeige	VISUALIZAR TEMPORIZAD.	ПРОСМОТР ТАЙМЕРА	VISUALIZ TIMER	定时器状态	AFFICHAGE PROG HORAIRE	タイムモニター
Haftalık Zamanlayıcı		WEEKLY TIMER	Wochenzeit schalt Uhr	TEMPORIZADOR SEMANAL	Недельный таймер	TIMER SETTIMANALE	每周定时器	PROG HERDO MADIAIRE	タイム-週間
Zamanlayıcı modu kapalı		TIMER MODE OFF	Zeitschaltuhr AUS	TEMPORIZADOR APAGADO	Таймер ВЫКЛ.	TIMER OFF	定时器无效	PROG HORAIRE INACTIF	タイム-無効
Otomatik kapanma zamanlayıcısı		AUTO OFF TIMER	Auto Zeit funktion AUS	APAGADO AUTOMÁTICO	АВТООТКЛЮЧ. ПО ТАЙМЕРУ	AUTO OFF TIMER	解除定时	PROG HORAIRE ARRET AUTO	タイム-キャンセル
Basit zamanlayıcı		SIMPLE TIMER	Einfache Zeitfunktion	TEMPORIZADOR SIMPLE	Простой таймер	TIMER SIMPLIFICATO	简易定时器	PROG HORAIRE SIMPLIFE	タイム-カンイ
Hata durumunun temas numarası ayarı		CALL	←	←	←	←	←	←	←
Görüntü değişimi		DISP MODE SETTING	Anzeige Betriebsart	MOstrar MODO	НАСТРОЙКА ИНА РЕЖИМА	IMPOSTAZIONE MODO DISPLAY	转换表示	AFFICHAGE SOUS MENU	表示切替
Sıcaklık görüntüsü °C/°F ayarı		TEMP MODE °C/°F	Wechsel °C/°F	TEMPGRADOS °C/°F	ЕДИН.ТЕМП. °C/°F	TEMPERATURA °C/°F	温度 °C/°F	TEMPERATURE °C/°F	温度 °C/°F
Hava giriş sıcaklığı görüntü ayarı		ROOM TEMP DISP SELECT	Raum Temp gewählt	MOstrar TEMP.	ПОКАЗЫВАТЬ ТЕМП.В КОМН.	TEMPERATURA AMBIENTE	吸入温度	TEMPERATURE AMBIANTE	スィコエント 室温
Otomatik soğutma/ısıtma görüntü ayarı		AUTO MODE DISP C/H	Auto Betrieb C/H	MOstrar F/C EN AUTO	ИНА. Т/Х В РЕЖИМЕ АВТО	AUTO C/H	自动表示	AFFICHAGE AUTO F/C	自動 表示

9. Kablosuz Uzaktan Kumanda İçin Acil İşletim

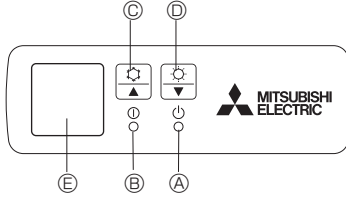
■ PKFY-P-VKM-E



■ PLFY-P-VCM-E2



■ PCFY-P-VKM-E



Uzaktan kumanda kullanılmadığı zaman

Uzaktan kumandanın pilleri bittiğinde veya uzaktan kumanda işlev bozukluğu meydana geldiğinde ızgara üzerindeki acil durum düğmelerine basılarak acil durum işletimi yapılabilir.

- Ⓐ DEFROST/STAND BY (BUZ GİDERME/BEKLEME) lambası
- Ⓑ İşletim lambası
- Ⓒ Acil durum işletim soğutma düğmesi
- Ⓓ Acil durum işletim ısıtma düğmesi
- Ⓔ Alıcı

Çalıştırmayı başlatmak

- Soğutma modunu çalıştırmak için, 2 saniyeden uzun bir süre Ⓒ ❄️ düğmesine basın.
- Isıtma modunu çalıştırmak için, 2 saniyeden uzun bir süre Ⓓ 🔥 düğmesine basın.
- İşletim lambası Ⓑ' nin yanması, işletimin başladığı anlamına gelir.

Not:

● Acil durum modunun detayları aşağıda gösterildiği gibidir.

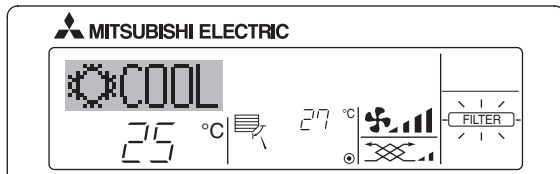
ACİL DURUM MODUNUN detayları aşağıda gösterildiği gibidir.

Çalıştırma Modu	COOL	HEAT
Sıcaklık Ayarı	24°C	24°C
Fan Hızı	Yüksek	Yüksek
Hava akımı yönü	Yatay	Aşağıya 4 (5)

Durdurma işlemi

- Çalışmayı durdurmak için, 2 saniyeden uzun bir süre Ⓒ düğmesine ❄️ ya da Ⓓ düğmesine 🔥 basın.

10. Bakım ve Temizleme



■ Filtrenin temizlenmesi gerektiğini belirtir.

Filtreyi temizleyiniz.

- "FILTER" (FİLTRE) göstergesini tekrar ayarlarken Filtre temizlendikten sonra [FILTER] (FİLTRE) düğmesini art arda iki kere basılırsa gösterge söner ve tekrar ayarlanır.

Not:

- İki veya daha fazla farklı iç mekan ünitesi kontrol edilirken temizleme süresi filtrenin türüne göre değişir. Ana ünitenin temizleme zamanı geldiğinde "FILTER" (FİLTRE) ibaresi yanar. Filtre göstergesi söndüğünde toplam zaman tekrar ayarlanır.
- "FILTER" (FİLTRE), klima genel iç mekan hava koşullarında kullanıldığında temizleme süresini zaman kriteriyle belirtir. Kirin miktarı çevre koşullarına bağlı olduğundan filtreyi uygun bir şekilde temizleyiniz.
- Filtre temizleme süresi toplam zamanı modele göre değişir.
- Bu gösterge kablosuz uzaktan kumanda mevcut değildir

► Filtrelerin temizlenmesi

- Filtreleri elektrikli süpürgeyle temizleyin. Elektrikli süpürge yoksa, filtreleri sert bir cisme hafifçe vurarak toz ve kir birikintisinin düşmesini sağlayın.
- Eğer filtreler özellikle kirlirse ılık suda yıkayın. Deterjan kalıntılarını gidermek için iyice durulayın ve filtreleri tekrar üniteye takmadan önce tamamen kurumalarını bekleyin.

⚠️ Dikkat:

- Filtreleri güneşin altında veya elektrik sobası gibi bir ısı kaynağı kullanarak kurutmayın. Bu, çarpılmalarına yol açabilir.
- Filtreleri sıcak suda (50°C'nin üzerinde) yıkamayın. Bu, çarpılmalarına yol açabilir.
- Filtrelerin daima takılı olmasına dikkat edin. Ünitenin hava filtreleri olmadan çalıştırılması arızaya yol açabilir.

⚠️ Dikkat:

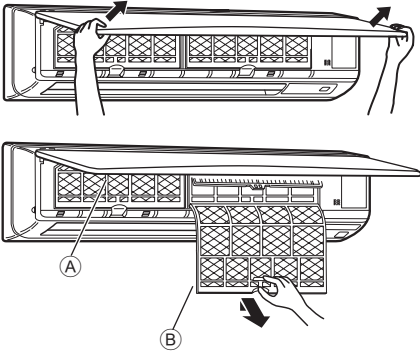
- Temizlemeye başlamadan önce, cihazı durdurun ve ana elektrik şalterini kapalı duruma getirin.
- İç ünitelere, emilen havayı tozdan arındırmak amacıyla bir filtre yerleştirilmiştir. Aşağıdaki resimlerde gösterilen yöntemlerle bu filtreleri temizleyin.

⚠️ Dikkat:

- Filtreyi çıkarırken, gözlerinizi tozdan korumak için gerekli önlemler alınmalıdır. Ayrıca, çalışmak için bir tabureye çıkmanız gerekiyorsa düşmemeye dikkat edin.
- Filtre çıkarıldığında, iç ünitenin içindeki metal parçalara dokunmayın, yaralanabilirsiniz.

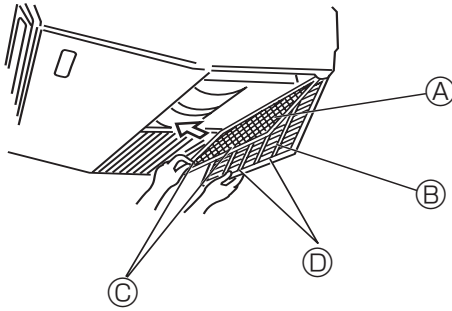
10. Bakım ve Temizleme

■ PKFY-P-VKM-E



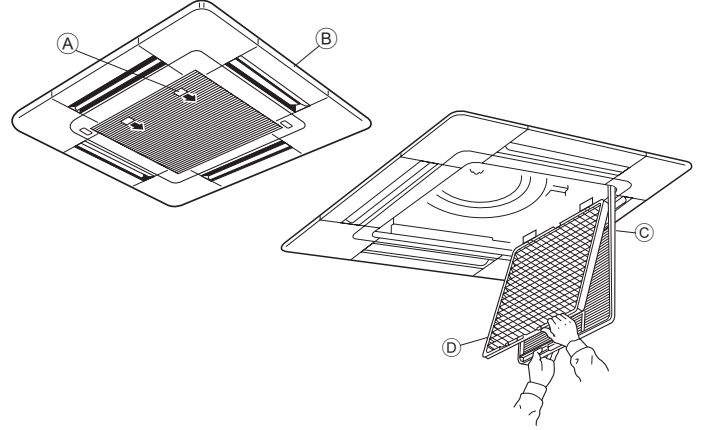
- ① Her iki elinizi kullanarak, giriş ızgarasını açmak için ızgarayı her iki alt ucundan çekin ve sonra da filtreyi durdurma konumuna klik sesi gelinceye kadar kaldırın.
 - ② Filtredeki düğmeleri tutun ve filtreyi yukarı çekin, ardından aşağı doğru çekin.
(Solda ve sağda olmak üzere iki yerde bulunur.)
- A Ön ızgara
B Filtre

■ PCFY-P-VKM-E



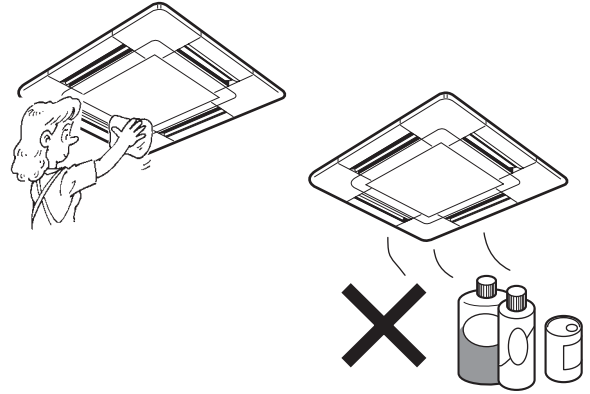
- ① Giriş ızgarasını açınız.
 - ② Filtenin üzerindeki topuzu tutup filtreyi ok yönünde çekiniz. Temizledikten sonra filtreyi yerine takarken takoza dayanıncaya kadar iyice içeriye itmeye dikkat ediniz.
- A Filtre B Giriş ızgarası C Topuz D Takoza

■ PLFY-P-VCM-E2



- ① Giriş ızgarasının topuzunu okla gösterilen yönde çekerseniz açılması gerekir.
 - ② Giriş ızgarasını açın.
 - ③ Giriş ızgarasının orta kenarındaki topuzu serbest bırakın ve filtreyi öne doğru çekerek yerinden çıkarın.
- A Topuz
B Giriş
C Giriş ızgarası
D Filtre

İç ünitenin temizlenmesi



- Ünitenin dışını temiz, kuru ve yumuşak bir bezle silin.
- Yağ lekeleri veya parmak izlerini nötr özellikte ev deterjanı (bulaşık deterjanı veya çamaşır deterjanı gibi) kullanarak temizleyin.

⚠ Dikkat:

Asla benzin, benzen, tiner, temizleme tozu veya herhangi bir tür nötr olmayan deterjan kullanmayın; zira bu maddeler ünitenin kasasına zarar verebilir.

11. Arızanın Bulunması ve Giderilmesi

Sorunuz mu var?	İşte çözüm. (Ünite normal bir şekilde çalışıyor.)
Klima iyi soğutmuyor veya iyi ısıtmıyor.	<ul style="list-style-type: none"> ■ Filtreyi temizleyin. (Filtre kirliliği veya tıkalı olduğunda hava akımı düşer.) ■ Sıcaklık ayarını kontrol edin ve ayarlı sıcaklığı ayarlayın. ■ Dış mekan ünitesinin etrafında bolca alan bulunmasını temin edin. İç mekan ünitesi hava girişi veya çıkışı tıkalı mı? ■ Açık bırakılan kapı veya pencere var mı?
Isıtma işlemi başladığında iç mekan ünitesi hemen sıcak hava üflemez.	<ul style="list-style-type: none"> ■ Sıcak hava, iç mekan ünitesi yeterince ısınmaya kadar üflenmez.
Klima ısıtma modu esnasında ayarlı oda sıcaklığına ulaşılmadan duruyor.	<ul style="list-style-type: none"> ■ Dış mekan sıcaklığı düşük ve nem oranı da yüksek olduğunda dış mekan ünitesi üzerinde buzlanma meydana gelebilir. Bunun meydana gelmesi halinde dış mekan ünitesi buz giderme işlemi gerçekleştirir. Normal işlem yaklaşık 10 dakika sonra başlamalıdır.
İşlem esnasında hava akımı yönü değişiyor ya da hava akımı yönü ayarlanamıyor.	<ul style="list-style-type: none"> ■ Soğutma modu esnasında aşağı (yatay) hava akımı yönü seçildiğinde pervaneler 1 saat sonra otomatik olarak yatay (aşağı) konuma geçer. Bu, su oluşmasını ve pervanelerden damlamasını engellemek içindir. ■ Isıtma modu esnasında hava akım sıcaklığı düşükse veya buz giderme modundayken pervaneler otomatik olarak yatay hava akım yönüne geçer.
Hava akım yönü değiştiğinde pervaneler ayarlı konumda durmadan önce daima aşağı ve yukarı doğru, ayarlı konumu geçecek şekilde hareket ediyor.	<ul style="list-style-type: none"> ■ Hava akım yönü değiştirildiğinde pervaneler seçilen konuma temel konumu bulduktan sonra geçer.
Akan su sesi veya ara sıra da ıslık sesi duyuluyor.	<ul style="list-style-type: none"> ■ Bu sesler klimanın içerisinde soğutucu madde akışı olduğunda veya soğutucu madde akımı değişmekte olduğunda duyulabilir.
Çatırtı veya gıcırtı sesi duyuluyor.	<ul style="list-style-type: none"> ■ Bu sesler parçalar sıcaklık değişimleri sebebiyle genişleme veya daralma esnasında birbirlerine sürtündüklerinde duyulabilir.
Odada hoş olmayan bir koku var.	<ul style="list-style-type: none"> ■ İç mekan ünitesi duvarlar, yer döşemesi ve mobilyalar tarafından üretilen gazları içeren havayı, elbiselerde bulunan kokuları çeker ve bu havayı tekrar odaya üfler.
İç mekan ünitesinden beyaz bir sis veya buhar çıkıyor.	<ul style="list-style-type: none"> ■ Bu durum iç mekan sıcaklığı ve nemliliği yüksek olduğunda işlem başladığında meydana gelebilir. ■ Buz giderme modundayken soğuk hava akımı aşağı doğru üflenebilir ve sis gibi gözükülebilir.
Dış mekan ünitesinden su veya buhar çıkıyor.	<ul style="list-style-type: none"> ■ Soğutma modu esnasında soğuk boru ve ek yerlerinde su oluşabilir ve damlayabilir. ■ Isıtma modu esnasında ısı değiştiricide su oluşabilir ve damlayabilir. ■ Buz giderme modunda ısı değiştirici üzerindeki su buharlaşır ve su buharı atılabilir.
Uzaktan kumandada işletim göstergesi belirmiyor.	<ul style="list-style-type: none"> ■ Güç düğmesini açın. Uzaktan kumandada "●" belirecektir.
ON/OFF (AÇMA/KAPAMA) düğmesine basılsa bile klima çalışmaz. Uzaktan kumanda üzerindeki çalışma modu ekranı yok olur.	<ul style="list-style-type: none"> ■ İç ünitenin açma düğmesi kapalı mı? Açma düğmesini açın.
Uzaktan kumandada "☒" belirir.	<ul style="list-style-type: none"> ■ Merkezi kontrol esnasında uzaktan kumandada "☒" belirir ve klima işlemi uzaktan kumanda kullanılarak başlatılamaz veya durdurulamaz.
Klimayı durdurduktan hemen sonra yeniden başlatırken cihaz ON/OFF düğmesine basılsa bile çalışmayacaktır.	<ul style="list-style-type: none"> ■ Yaklaşık üç dakika kadar bekleyin. (İşlem klimayı korumak için durdurulmuştur.)
Klima, ON/OFF düğmesine basılmaksızın çalışıyor.	<ul style="list-style-type: none"> ■ Açma zamanlayıcısı ayarlı mı? Cihazın çalışmasını durdurmak için ON/OFF düğmesine basın. ■ Klima merkezi bir uzaktan kumandaya bağlı mı? Klimayı kontrol eden ilgili şahıslara danışın. ■ Uzaktan kumandada "☒" görülüyor mu? Klimayı kontrol eden ilgili şahıslara danışın. ■ Güç kesintilerinden sonra otomatik devam etme özelliği ayarlı mı? Cihazın çalışmasını durdurmak için ON/OFF düğmesine basın.
Klima, ON/OFF düğmesine basılmaksızın duruyor.	<ul style="list-style-type: none"> ■ Kapama zamanlayıcısı ayarlı mı? Cihazın çalışmasını yeniden başlatmak için ON/OFF düğmesine basın. ■ Klima merkezi bir uzaktan kumandaya bağlı mı? Klimayı kontrol eden ilgili şahıslara danışın. ■ Uzaktan kumandada "☒" görülüyor mu? Klimayı kontrol eden ilgili şahıslara danışın.
Uzaktan kumandanın zamanlayıcı işlemi ayarlanamıyor.	<ul style="list-style-type: none"> ■ Zamanlayıcı ayarları geçersiz mi? Zamanlayıcı ayarlanabiliyorsa uzaktan kumandada göstergesinde (WEEKLY), (SIMPLE), veya (AUTO OFF) belirir.
Uzaktan kumandada "PLEASE WAIT" (LÜTFEN BEKLEYİN) belirir.	<ul style="list-style-type: none"> ■ Başlangıç ayarları yürütülüyor. Yaklaşık 3 dakika kadar bekleyin.
Uzaktan kumandada bir hata kodu belirir.	<ul style="list-style-type: none"> ■ Klimayı korumak için koruma aygıtları çalıştırılmıştır. ■ Cihazı tamir etmeye çalışmayın. Derhal güç düğmesini kapalı konuma getirin ve satıcınıza danışın. Satıcıya model ismini ve uzaktan kumanda göstergesinde görülen bilgileri vermeyi unutmayın.
Su çekilme sesi veya motor dönme sesi duyuluyor.	<ul style="list-style-type: none"> ■ Soğutma işlemi durduğunda drenaj pompası çalışır ve sonra durur. Yaklaşık 3 dakika kadar bekleyin.

11. Arızanın Bulunması ve Giderilmesi

Sorununuz mu var?	İşte çözüm. (Ünite normal bir şekilde çalışıyor.)												
Gürültü belirtilenden daha çok.	<ul style="list-style-type: none"> Aşağıdaki tabloda gösterildiği gibi iç mekan işletim ses düzeyi odanın akustiğinden etkilenir ve yankısız ortamda yapılmış olan belirtilen gürültü düzeyinden daha yüksek olacaktır. <table border="1"> <thead> <tr> <th></th> <th>Ses emişi yüksek olan odalar</th> <th>Normal odalar</th> <th>Ses emişi düşük olan odalar</th> </tr> </thead> <tbody> <tr> <td>Mekan örnekleri</td> <td>Yayın stüdyosu, müzik odası vb.</td> <td>Resepsiyon odası, otel lobisi vb.</td> <td>Ofis, otel odası</td> </tr> <tr> <td>Gürültü seviyeleri</td> <td>3 ila 7 dB</td> <td>6 ila 10 dB</td> <td>9 ila 13 dB</td> </tr> </tbody> </table>		Ses emişi yüksek olan odalar	Normal odalar	Ses emişi düşük olan odalar	Mekan örnekleri	Yayın stüdyosu, müzik odası vb.	Resepsiyon odası, otel lobisi vb.	Ofis, otel odası	Gürültü seviyeleri	3 ila 7 dB	6 ila 10 dB	9 ila 13 dB
	Ses emişi yüksek olan odalar	Normal odalar	Ses emişi düşük olan odalar										
Mekan örnekleri	Yayın stüdyosu, müzik odası vb.	Resepsiyon odası, otel lobisi vb.	Ofis, otel odası										
Gürültü seviyeleri	3 ila 7 dB	6 ila 10 dB	9 ila 13 dB										
Kablosuz uzaktan kumanda göstergesinde hiçbir şey görünmüyor, görüntü zayıf veya iç mekan ünitesi sinyalleri uzaktan kumanda yakın tutulmadığı takdirde almıyor.	<ul style="list-style-type: none"> Piller zayıf. Pilleri değiştirin ve Reset (Sıfırla) düğmesine basın. Piller değiştirildiği halde hiçbir şey görülmüyorsa pillerin doğru istikamette (+,-) yerleştirildiğinden emin olun. 												
İç mekan ünitesinin kablosuz uzaktan kumanda alıcısının yanındaki işletim lambası yanıp sönüyor.	<ul style="list-style-type: none"> Klimayı korumak için otomatik teşhis aygıtı çalıştırılmıştır. Cihazı tamir etmeye çalışmayın. Derhal güç düğmesini kapalı konuma getirin ve satıcınıza danışın. Satıcıya model ismini belirtmeyi unutmayın. 												
Isıtma modu kapalıyken veya fan modu sırasında iç üniteden fasıllı olarak ılık hava üflenir.	<ul style="list-style-type: none"> Başka bir iç ünite ısıtma modunda çalışırken, klima sisteminin kararlılığını korumak üzere kontrol valfi zaman zaman açılır ve kapanır. Bu işlem bir süre sonra sona erer. * Bu, küçük odalardaki oda sıcaklığında istenmeyen bir artışa neden olursa, iç ünitenin çalışmasını geçici olarak durdurun. 												

Çalışma sıcaklığı sınırları:

Y, R2, Multi-S serisinin hem iç hem de dış ünitelerinin çalışma sıcaklıklarının sınırları aşağıdaki gibidir.

⚠ Dikkat:

Klima cihazınızın çalışma sıcaklığı ve nem oranı sınırları dışında çalıştırılması ciddi arızalara neden olabilir.

Mod	İç ünite	Dış ünite		
		PUHY	PURY	PUMY
Soğutma	15 °C - 24 °C WB	-5 °C - 46 °C DB	-5 °C - 46 °C DB	-5 °C - 46 °C DB
Isıtma	15 °C - 27 °C DB	-20 °C - 15,5 °C WB	-20 °C - 15,5 °C WB	-15 °C - 15 °C WB

Not: Hem iç hem de dış üniteler için uygun bir nem oranı olarak %30-80 arası bir nemlilik tavsiye olunur.

⚠ Uyarı:

Eğer klima çalışıyorsa ancak (modele bağlı olarak) odayı soğutmuyor ya da ısıtmıyorsa, bir soğutucu gaz kaçağı olabileceği için bayiinize danışınız. Tamir yapılırken, servis teknisyenine bir gaz kaçağı olup olmadığını mutlaka sorunuz.

Klimada bulunan soğutucu gaz emniyetlidir. Normal koşullarda soğutucu gaz kaçağı olmaz ancak eğer soğutucu gaz içmekanda sızarsa ve üfleycili bir ısıtıcının, elektrikli bir ısıtıcının, bir sobanın, vb., ateşi ile temas ederse zararlı gazlar çıkarır.

12. Spesifikasyonlar

Model		PKFY-P63VKM-E	PKFY-P100VKM-E
Güç kaynağı (Voltaj<V>/Freakans)	<Hz>	~N/220-230-240/50, 220/60	
Kapasite (Soğutma/Isıtma)	<kW>	7,1/8,0	11,2/12,5
Boyut (Yükseklik)	<mm>	365	
Boyut (Genişlik)	<mm>	1170	
Boyut (Derinlik)	<mm>	295	
Net ağırlık	<kg>	22	
Fan Hava Akışı hızı (Düşük-Yüksek)	<m ³ /min>	16-20	20-25
Ses seviyesi (Düşük-Yüksek)	<dB>	39-43	41-49

Model		PLFY-P15VCM-E2	PLFY-P20VCM-E2	PLFY-P25VCM-E2	PLFY-P32VCM-E2	PLFY-P40VCM-E2
Güç kaynağı (Voltaj<V>/Freakans)	<Hz>	~N/220-230-240/50				
Kapasite (Soğutma/Isıtma)	<kW>	1,7/1,9	2,2/2,5	2,8/3,2	3,6/4,0	4,5/5,0
Boyut (Yükseklik)	<mm>	208 (20)				
Boyut (Genişlik)	<mm>	570 (650)				
Boyut (Derinlik)	<mm>	570 (650)				
Net ağırlık	<kg>	15,5 (3)			17,0 (3)	
Fan Hava Akışı hızı (Düşük-Orta-Yüksek)	<m ³ /min>	8-8,5-9	8-9-10		8-9-11	
Ses seviyesi (Düşük-Orta-Yüksek)	<dB>	28-30-31	28-31-35	28-31-37	29-33-38	30-34-39

Model		PCFY-P40VKM-E	PCFY-P63VKM-E	PCFY-P100VKM-E	PCFY-P125VKM-E
Güç kaynağı (Voltaj<V>/Freakans)	<Hz>	~N 220-230-240/50, 220/60			
Kapasite (Soğutma/Isıtma)	<kW>	4,5/5,0	7,1/8,0	11,2/12,5	14,0/16,0
Boyut (Yükseklik)	<mm>	230			
Boyut (Genişlik)	<mm>	960	1280	1600	
Boyut (Derinlik)	<mm>	680			
Net ağırlık	<kg>	24	32	36	38
Fan Hava Akışı hızı (Düşük-Orta2-Orta1-Yüksek)	<m ³ /min>	10-11-12-13	14-15-16-18	21-24-26-28	21-24-27-31
Ses seviyesi (Düşük-Orta2-Orta1-Yüksek)	<dB>	29-32-34-36	31-33-35-37	36-38-41-43	36-39-42-44

*1 Soğutma/Isıtma kapasitesi, aşağıdaki koşullarda çalıştırıldığında maksimum değeri gösterir.

Soğutma: İç 27 °C DB/19 °C WB, Dış 35 °C DB

Isıtma: İç 20 °C DB, Dış 7 °C DB/6 °C WB

*2 Parantez () içindeki değerler panele karşılık gelir.

1. Меры предосторожности.....	182	7. Прочие функции.....	192
2. Наименование деталей.....	183	8. Выбор функции.....	193
3. Конфигурация дисплея.....	186	9. Работа пульта дистанционного управления в аварийном режиме ...	197
4. Установка дня недели и времени.....	186	10. Уход и чистка.....	197
5. Эксплуатация.....	186	11. Исправление неполадок.....	199
6. Таймер.....	189	12. Технические характеристики.....	201

1. Меры предосторожности

- ▶ Перед установкой данного прибора, пожалуйста обязательно прочитайте все “Меры предосторожности”.
- ▶ В разделе “Меры предосторожности” изложены очень важные сведения, касающиеся техники безопасности. Обязательно следуйте этим инструкциям.
- ▶ Пожалуйста уведомите соответствующий орган электроснабжения или получите от него разрешение перед подключением к системе электропитания.

Символика, используемая в тексте

⚠ Предупреждение:

Описывает меры предосторожности, которые следует выполнять, чтобы избежать травмы или гибели пользователя.

⚠ Осторожно:

Описывает меры предосторожности, которые следует выполнять, чтобы не повредить прибор.

Символы, указанные на иллюстрациях

⚡ : Указывает, что эта часть должна быть заземлена.

Примечание:

В этом руководстве по использованию аппарата фраза “проводной пульт дистанционного управления” относится к пульта дистанционного управления PAR-21MAA.

Сведения о других пультах дистанционного управления приводятся в руководстве, находящемся в этих коробках.

⚠ Предупреждение:

- Запрещается бесконтрольный, несанкционированный доступ посторонних лиц к приборам этого класса.
- Данный прибор не должен устанавливаться пользователем. Обратитесь к поставщику или в специализированное предприятие и закажите установку прибора. При неправильной установке может произойти утечка воды, электрический шок или пожар.
- Никогда не занимайтесь ремонтом или переносом прибора не кто иной место самостоятельно.
- Не ставьте какие-либо посторонние предметы на прибор.
- Не проливайте на прибор воду и не дотрагивайтесь до прибора мокрыми руками.
- Не разбрызгивайте вблизи от прибора горючий газ.
- Не снимайте переднюю панель или защиту вентилятора с внешнего прибора, когда он работает.
- Никогда не занимайтесь ремонтом или переносом прибора не кто иной место самостоятельно.
- Если вы заметите ненормально сильный шум или вибрацию, остановите прибор, отключите главный выключатель питания и свяжитесь с вашим поставщиком.
- Никогда не вставляйте пальцы, палки и т.д. в отверстия входа или выхода.
- Если вы почувствуете странные запахи, остановите прибор, отключите питание и проконсультируйтесь с вашим поставщиком. В противном случае может произойти поломка прибора, пожар или электрешок.
- Детям и немощным людям ЗАПРЕЩАЕТСЯ самостоятельно пользоваться данным кондиционером воздуха.

⚠ Осторожно:

- Не пользуйтесь острыми предметами для нажатия кнопок, так как это может привести к повреждению пульта дистанционного управления.
- Не закрывайте и не блокируйте входные и выпускные отверстия внутреннего и наружного блоков.
- Не протирайте пульт дистанционного управления тканью, смоченной бензином, химическим растворителем и т. д.
- Запрещается длительная эксплуатация прибора в условиях высокой влажности, например, в помещении с открытым окном или дверью. Если прибор длительное время работает в режиме охлаждения в помещении с высокой влажностью (80% отн.

- Необходимо наблюдать за маленькими детьми с тем, чтобы они не играли с кондиционером воздуха.
- Если происходит выброс или утечка газа хладагента, остановите работу кондиционера, тщательно проветрите помещение и свяжитесь с вашим поставщиком.
- Этот прибор не предназначен для использования его детьми, инвалидами, а также лицами с недостаточным опытом и квалификацией, до тех пор, пока они не пройдут обучение, и не получат полный инструктаж по правилам безопасной эксплуатации данного прибора у лица, ответственного за их безопасность.
- При монтаже или перемещении, а также при обслуживании кондиционера используйте только указанный хладагент (R410A) для заполнения трубопроводов хладагента. Не смешивайте его ни с каким другим хладагентом и не допускайте наличия воздуха в трубопроводах. Наличие воздуха в трубопроводах может вызывать скачки давления, в результате которых может произойти взрыв или другие повреждения. Использование любого хладагента, отличного от указанного для этой системы, вызовет механическое повреждение, сбой в работе системы, или выход устройства из строя. В наихудшем случае, это может послужить серьезной преградой к обеспечению безопасной работы этого изделия.

влажности или выше), возможно капание влаги, сконденсировавшейся в кондиционере. Это может повредить мебель и т.д.

- Не прикасайтесь к заслонке верхних воздуховыпускных отверстий или демпферу нижних воздуховыпускных отверстий во время эксплуатации. В противном случае, возможно образование конденсата и прекращение работы прибора.

Утилизация прибора

Когда вам потребуется ликвидировать прибор, обратитесь к вашему дилеру.

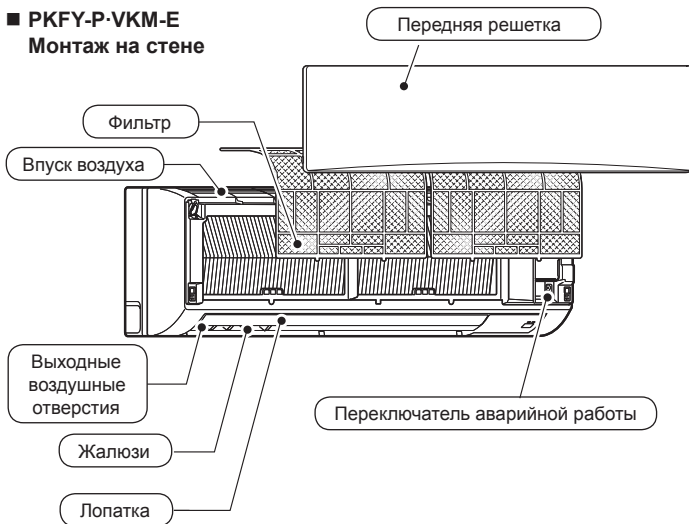
2. Наименование деталей

■ Внутренний прибор

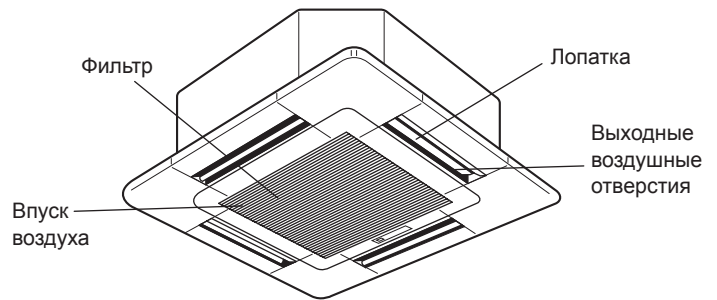
		PKFY-P-VKM-E	PLFY-P-VCM-E2	PCFY-P-VKM-E
Скорости работы вентилятора		2 Скорость	3 Скорость	4 Скорость + Авто*
Лопатка	Положения	4 фиксированных положений	4 фиксированных положений	5 фиксированных положений
	Автоповорот	○	○	○
Жалюзи		Вручную	—	Вручную
Фильтр		Обычный	Долговечный	Долговечный
Индикация очистки фильтра		100 часов	2.500 часов	2.500 часов

* Данная операция доступна только при использовании пульта дистанционного управления, с помощью которого можно установить настройки скорости вентилятора на "Авто".

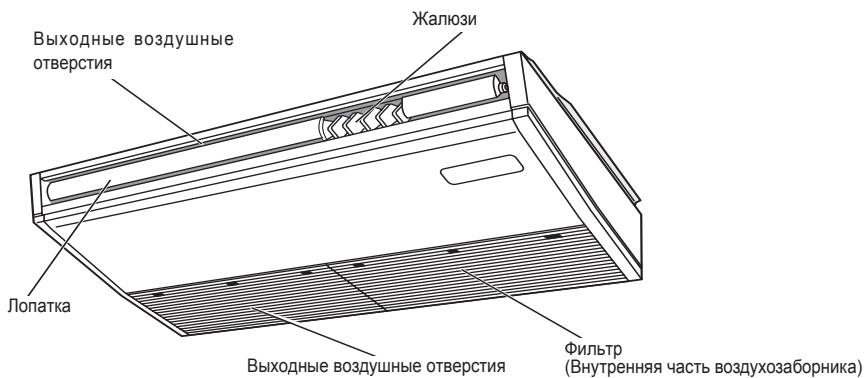
■ PKFY-P-VKM-E Монтаж на стене



■ PLY-P-VCM-E2 4-ходовая потолочная кассета

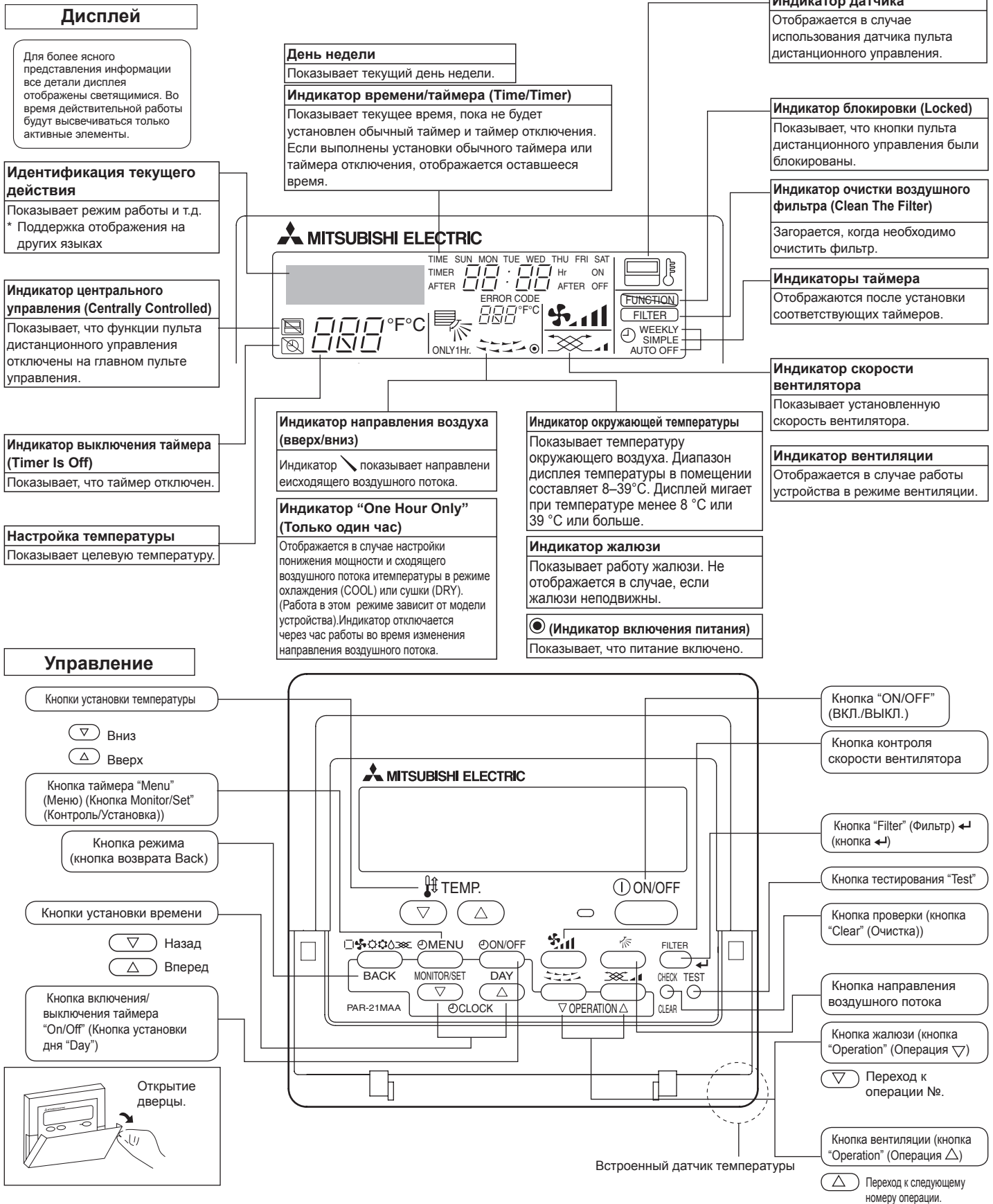


■ PCFY-P-VKM-E Подвеска к потолку



2. Наименование деталей

■ для проводные пульты дистанционного управления (раздел Дополнительное оборудование)

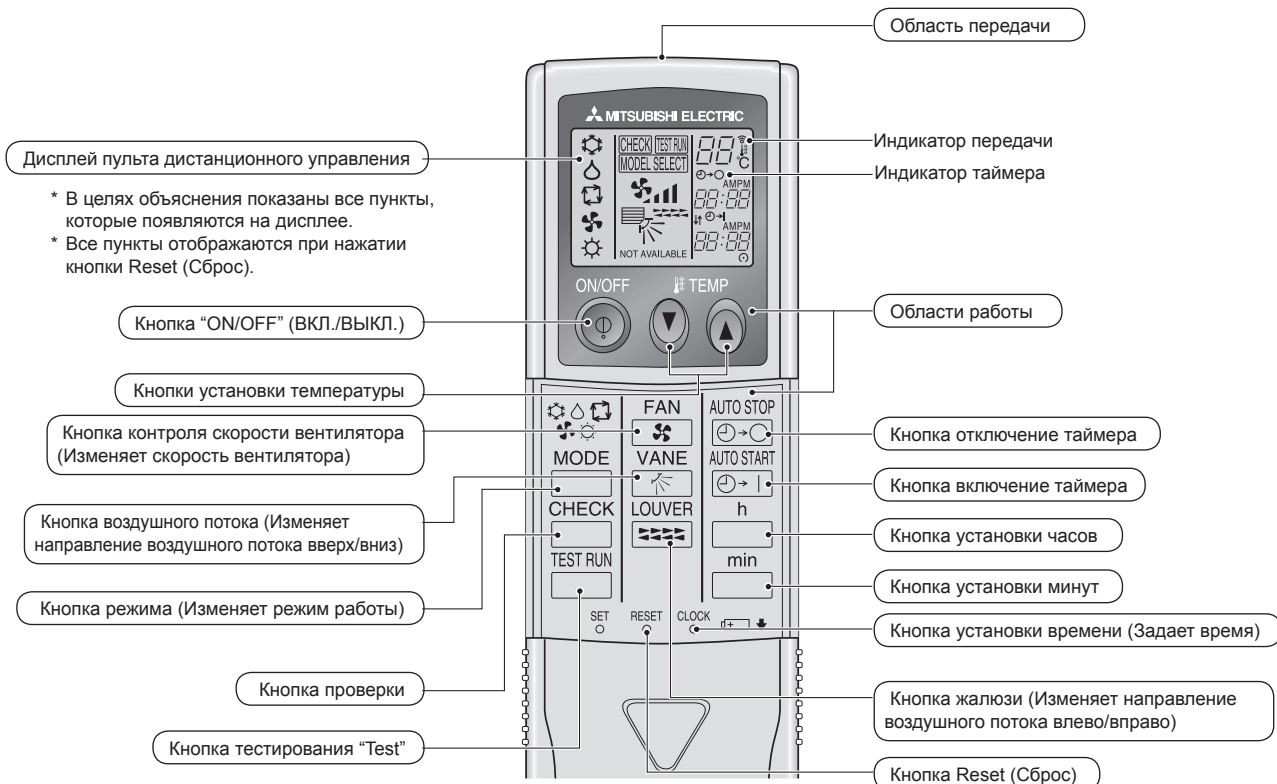


Примечание:

- Сообщение "PLEASE WAIT" (ПОЖАЛУЙСТА, ПОДОЖДИТЕ)
Это сообщение отображается в течение примерно 3 минут при подаче электропитания к внутреннему прибору.
- Мигание индикатора режима работы
Если к одному наружному прибору подсоединены несколько внутренних приборов, однако режим работы, выбранный на одном внутреннем приборе, отличается от текущего режима работы другого внутреннего прибора, начнет мигать индикатор режима работы. Выберите на другом внутреннем приборе такой же режим работы.
- Сообщение "NOT AVAILABLE" (НЕДОСТУПНО)
Это сообщение отображается при нажатии кнопки для вызова функции, которая отсутствует во внутреннем приборе.
Если для одновременной работы с несколькими внутренними приборами используется один пульт дистанционного управления, данное сообщение отображаться не будет, если какой-либо из приборов оборудован данной функцией.
- Индикатор окружающей температуры
Окружающая температура измеряется датчиками температуры внутреннего прибора или датчиком температуры пульта дистанционного управления. По умолчанию используются датчики температуры внутреннего прибора. Если окружающая температура измеряется датчиками температуры внутреннего прибора, то окружающая температура, измеряемая главным внутренним прибором, отображается на пульте дистанционного управления, который управляет несколькими внутренними приборами.

2. Наименование деталей

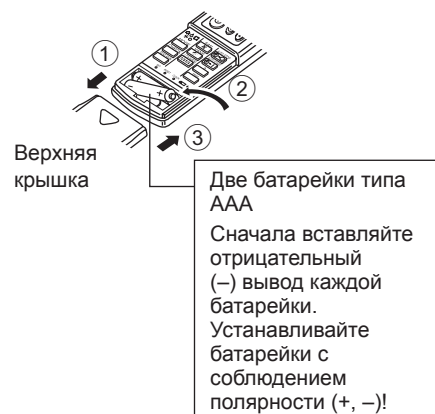
■ для беспроводного пульта дистанционного управления (раздел Дополнительное оборудование)



- При использовании беспроводного пульта дистанционного управления направьте его к приемнику на внутреннем приборе.
- Если пультом дистанционного управления воспользоваться примерно в течение 2 минут после подачи электропитания на внутренний прибор, внутренний прибор может издать два звуковых сигнала, так как осуществляется начальная автоматическая проверка.
- Внутренний прибор издает звуковой сигнал, который подтверждает получение сигнала, посланного с пульта дистанционного управления. Сигналы могут быть получены на расстоянии примерно 7 метров по прямой линии от внутреннего прибора под углом в 45° слева и справа прибора. Однако такой свет, как лампы дневного света или сильное освещение могут уменьшить эффективность приема сигналов внутренним прибором.
- Если лампа работы около приемника на внутреннем приборе мигает, прибор необходимо проверить. Свяжитесь со своим поставщиком для проведения обслуживания.
- Обращайтесь с пультом дистанционного управления осторожно! Не роняйте пульт дистанционного управления и не подвергайте его сильным ударам. Кроме того, следите за тем, чтобы пульт дистанционного управления не попал в воду, и не оставляйте его в местах с высокой влажностью.
- Во избежание неправильного местоположения пульта дистанционного управления, установите на стене держатель, входящий в комплект поставки пульта дистанционного управления, и обязательно устанавливайте пульт дистанционного управления в держатель после использования.

Установка/замена батареек

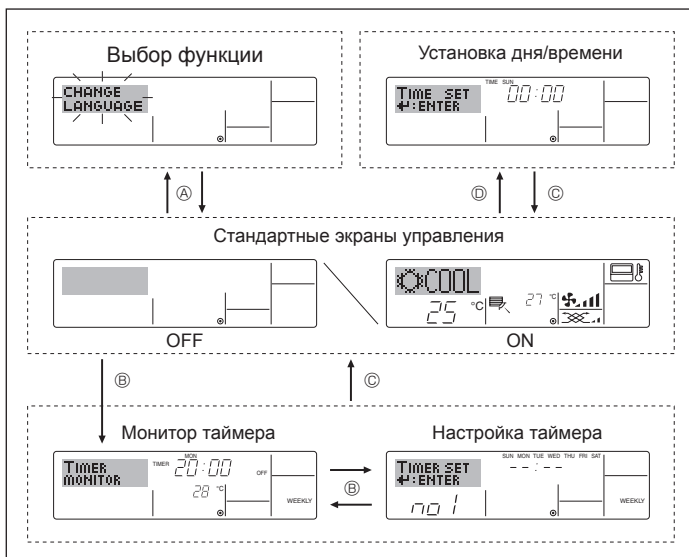
1. Снимите верхнюю крышку, вставьте две батарейки типа AAA и установите верхнюю крышку на место.



2. Нажмите кнопку Reset (Сброс).



3. Конфигурация дисплея



<Типы экранов отображения>

Настройку языка дисплея можно изменить на русский язык при помощи выбора функции на пульте дистанционного управления. См. пункт [4]-1, раздела 8 для изменения установки языка. Начальный установленный язык – английский.

- **Выбор функции:** Устанавливает доступные функции и диапазоны для пульта дистанционного управления (функции таймера, ограничения операций и т.д.)
- **Установка дня/времени:** Настраивает текущий день недели или время.
- **Стандартные экраны управления:** Отображает и определяет рабочее состояние систем кондиционирования воздуха.
- **Монитор таймера:** Отображает текущие настройки таймера (недельный таймер, простой таймер или таймер автоматического включения или отключения).
- **Настройка таймера:** Настраивает работу любого таймера (недельный таймер, простой таймер или таймер автоматического включения или отключения).

<Изменение экрана>

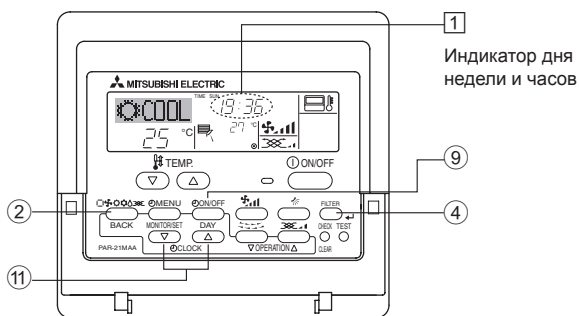
Для перехода к (A) : Удерживайте в течение 2 секунд нажатыми кнопку выбора режима и кнопку включения/выключения таймера "On/Off".

Для перехода к (B) : Нажмите кнопку таймера "Menu".

Для перехода к (C) : Нажмите кнопку выбора режима (Back).

Для перехода к (D) : Нажмите кнопки установки времени (∇ или Δ).

4. Установка дня недели и времени

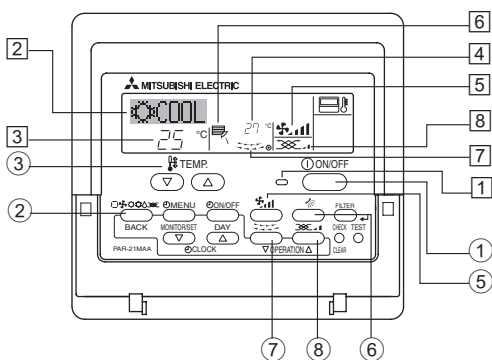


1. Нажмите кнопку настройки времени ∇ или Δ (1) для включения отображения на дисплее (2).
2. Нажмите кнопку включения/выключения таймера "On/Off" (установка дня) (9) для установки дня недели.
* Каждое нажатие кнопки переключает день, как показано на (3): Sun (Вск) → Mon (Пнд) → ... → Fri (Птн) → Sat (Сбт).
3. Нажмите соответствующую кнопку настройки времени (1) для установки времени.
* Пока вы удерживаете кнопку нажатой (4), временные интервалы сначала будут иметь приращение по минуте, затем по десять минут, а после этого по одному часу.
4. После выполнения соответствующих настроек в действиях 2и 3 нажмите кнопку "Filter" (Фильтр) ← (4) для сохранения значений.

Примечание:

День недели не будет отображаться, если функция часов отключена на дисплее выбора функции (Function Selection).

5. Эксплуатация



5.1. Включение/Выключение

<Для начала работы>

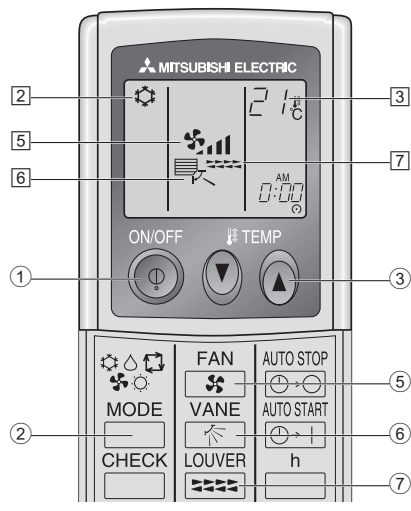
- Нажмите кнопку "ON/OFF" (ВКЛ./ВЫКЛ.) (1).

- Загорится лампа включения (1) и индикатор дисплея.

Примечание:

- После перезапуска устройства устанавливаются следующие параметры:

	Настройки пульта дистанционного управления	
Режим	Последняя настройка	
Настройка температуры	Последняя настройка	
Скорость вращения вентилятора	Последняя настройка	
Воздушный поток (вверх/вниз)	Режим	COOL или DRY Последняя настройка
		HEAT Последняя настройка
		FAN Последняя настройка



<Для выключения>

- Нажмите еще раз кнопку "ON/OFF" (ВКЛ./ВЫКЛ.) (1).
- Световой индикатор ON (1) и дисплей погаснут.

Примечание:

Даже при немедленном нажатии кнопки ON/OFF (ВКЛ./ВЫКЛ.) после остановки работы кондиционер воздуха не включится в течение трех минут. Это предотвращает повреждение внутренних деталей.

5. Эксплуатация

<Для останова операции>

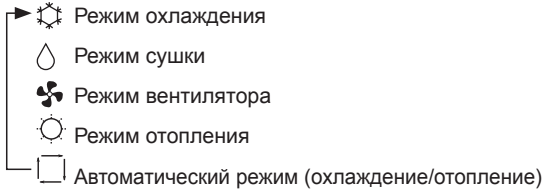
- Нажмите еще раз кнопку "ON/OFF" (ВКЛ./ВЫКЛ.) ①.
 - Будут отключены лампа включения ① и индикатор дисплея.

Примечание:

Даже при немедленном нажатии кнопки ON/OFF (Вкл./Выкл.) после останова работы кондиционер воздуха не включиться в течение трех минут. Это предотвращает повреждение внутренних деталей.

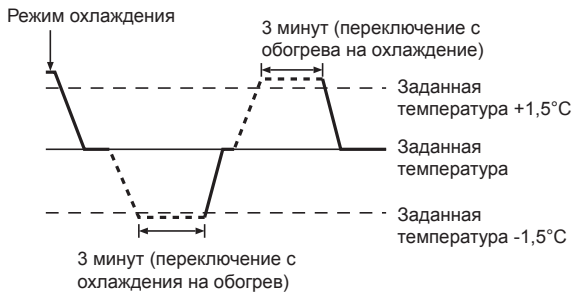
5.2. Выбор режима

- Нажмите кнопку выбора режима (☐☐☐☐☐) ② и выберите режим эксплуатации ③.



Работа в автоматическом режиме

- В соответствии с заданной температурой, работа в режиме охлаждения включается, если температура в помещении слишком высокая, а работа в режиме обогрева включается, если температура слишком низкая.
- При работе в автоматическом режиме, если температура в помещении изменится, и будет оставаться на 1,5 °C или больше выше заданной температуры в течение 3 минут, кондиционер переключается в режим охлаждения. Таким же образом, если температура в помещении будет оставаться на 1,5 °C или больше ниже заданной температуры в течение 3 минут, кондиционер переключается в режим обогрева.



- Так как температура в помещении регулируется автоматически для поддержания определенной эффективной температуры, работа в режиме охлаждения осуществляется на несколько градусов теплее, а работа в режиме обогрева на несколько градусов холоднее заданной температуры при достижении температуры (автоматическая экономия электроэнергии).

5.3. Настройка температуры

► Чтобы понизить температуру в помещении:

Нажмите кнопку ③, чтобы установить желаемое значение температуры.

Дисплей показывает выбранную температуру ④.

► Чтобы повысить температуру в помещении:

Нажмите кнопку ③, чтобы установить желаемое значение температуры.

Дисплей показывает выбранную температуру ④.

- Имеющиеся диапазоны температур:
 - Охлаждение и сушка: 19 - 30 °C
 - Отопление: 17 - 28 °C
 - Автоматический режим: 19 - 28 °C
- На дисплее мигают показания 8 °C или 39 °C, чтобы проинформировать Вас о том, что температура в помещении ниже или выше показания температуры на дисплее.

5.4. Настройка скорости вентилятора

- Нажмите кнопку скорости вентилятора ⑤ столько раз, сколько нужно для выбора необходимой скорости.
 - Каждое нажатие кнопки увеличивает скорость. Текущая выбранная скорость отображается в ⑥.
 - Последовательность изменения настроек и доступные параметры:

СКОРОСТЬ ВЕНТИЛЯТОРА	Индикатор
модель с 2 скоростями	Скорость 1 → Скорость 2
модель с 3 скоростями	Скорость 1 → Скорость 2 → Скорость 3
модель с 4 скоростями + Авто*	Скорость 1 → Скорость 2 → Скорость 3 → Скорость 4 → Авто

* Только для пульта дистанционного управления MA.

Для беспроводного пульта дистанционного управления необходима автоматическая настройка скорости вентилятора.

Примечание:

- Число доступных скоростей вращения вентилятора зависит от типа подключенного устройства. Некоторые устройства не имеют возможности настройки параметра "Auto" (Авто).
- В следующих случаях действительная скорость вентилятора устройства будет отличаться от скорости, отображаемой на пульте дистанционного управления.
 1. Во время отображения индикации "STAND BY" (ОЖИДАНИЕ) или "DEFROST" (РАЗМОРОЗКА).
 2. Когда температура теплообменника низкая в режиме обогрева. (например, сразу же после начала работы в режиме обогрева)
 3. В режиме обогрева (HEAT), когда окружающая температура в помещении выше значений настроек температуры.
 4. Во время работы устройства в режиме сушки (DRY).

- Автоматическая настройка скорости вентилятора (для беспроводного пульта дистанционного управления)
 - Настройкой пульта дистанционного управления следует выполнять только в том случае, если автоматическая настройка скорости вентилятора не является настройкой по умолчанию. Выполнять такую настройку для проводного пульта дистанционного управления, если параметр автоматической настройки скорости вентилятора используется по умолчанию, не надо.

- ① Нажмите кнопку SET остроконечным предметом. Выполняйте операцию, когда дисплей пульта дистанционного управления выключен.

мигает и номер модели высвечивается как ①.

- ② Нажмите кнопку AUTO STOP .

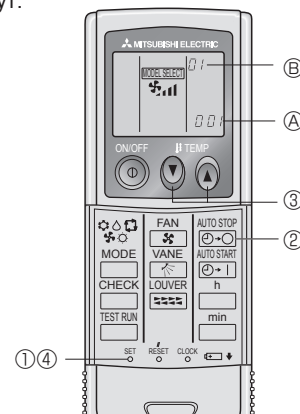
мигает и настройка номера модели высвечивается как ②. (Настройка №01: без автоматической настройки скорости вентилятора)

- ③ Нажмите кнопки установки температуры, чтобы выбрать настройку №02. (Настройка №02: с автоматической настройкой скорости вентилятора)

При неправильном выборе операции нажмите кнопку ON/OFF (ВКЛ./ВЫКЛ.) и вновь начните выполнение операции с пункта ②.

- ④ Нажмите кнопку SET остроконечным предметом.

и номер модели высвечиваются в течение 3 секунд, а затем гаснут.

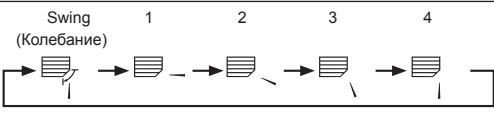
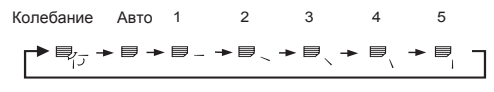


5. Эксплуатация

5.5. Настройка направления воздушного потока

<Для изменения направления воздушного потока вверх/вниз>

- Во время работы устройства нажмите кнопку направления воздушного потока (вверх/вниз) ⑥ необходимое число раз.
 - Каждое нажатие кнопки меняет направление воздуха. Текущее направление воздуха отображается в ⑥.
 - Последовательность изменения настроек и доступные параметры:

Подача воздуха	Индикатор
модель с 4 положениями	Swing (Колебание) 1 2 3 4 
модель с 5 положениями *1	Колебание Авто 1 2 3 4 5 

- * Помните, что в режиме колебания воздушного потока индикация на экране не меняется вместе с изменением положения воздушных направляющих.
- * В некоторых моделях возможность изменения направления воздуха недоступна.
- *1 Только для пульта дистанционного управления MA, иной пульт дистанционного управления отображает то же, что и модель на 4 шага.
- *2 Настройка направления воздушного потока <Авто> COOL/FAN/DRY : Настройка 1 (Горизонтальное), HEAT : Настройка 5 (Вниз 5)

Примечание:

- Доступные направления воздушного потока зависят от типа подключенного устройства. Некоторые устройства не имеют возможности выбора параметра "Auto" (Авто).
- В следующих случаях действительное направление воздушного потока будет отличаться от направления, указанного индикатором.
 1. Во время отображения индикации "STAND BY" (ОЖИДАНИЕ) или "DEFROST" (РАЗМОРОЗКА).
 2. Сразу же после запуска режима обогрева (пока система ожидает активизации параметров изменения режима).
 3. В режиме обогрева, когда окружающая температура в помещении выше значений настроек температуры.

<[Ручное управление] Изменение подачи воздуха вправо/влево>

* Кнопка ⑦ управления жалюзи не может быть использована.

■ Модель РКFY-P-VKM-E

- Остановите блок и с помощью рычага регулировки жалюзи выберите требуемое направление подачи воздуха.
- * В режимах охлаждения или сушки не включайте подачу воздуха внутрь, поскольку это может вызвать конденсацию влаги и образованию капель.



⚠ Осторожно:

Во избежание падений при работе с блоком занимайте устойчивое положение.

5.6. Вентиляция

► Для комбинации LOSSNAY

5.6.1. для проводные пульты дистанционного управления

- Для начала работы вентилятора вместе с внутренним устройством:
 - Нажмите кнопку "ON/OFF" (ВКЛ./ВЫКЛ.) ①.
 - На экране появится индикатор "Vent" (⑧). Вентилятор будет работать автоматически во время действия внутреннего устройства.
- Для включения вентилятора, когда выключено внутреннее устройство:
 - Нажмите кнопку вентиляции (Ventilation) ⑧, пока выключено внутреннее устройство.
 - Загорится лампа включения (①) и появится индикатор вентиляции (⑧).
- Для изменения мощности вентилятора:
 - Нажмите кнопку вентиляции (Ventilation) ⑧ необходимое число раз.
 - Каждое нажатие кнопки переключает настройки так, как показано ниже.



Примечание:

- В некоторых моделях вентилятор внутреннего устройства может начать работу даже в том случае, когда он будет настроен для автономной работы.

6. Таймер

6.1. для проводные пульты дистанционного управления

Можно использовать экран выбора функции (Function Selection) для выбора одного из трех типов таймера: ① Weekly timer (Недельный таймер), ② Simple timer (Простой таймер) или ③ Auto Off (Таймер автоматического выключения).

6.1.1. Еженедельный таймер

■ Недельный таймер может использоваться для настройки до восьми операций в день в течение недели.

- Каждая операция может состоять из: времени включения/выключения с настройками температуры или только времени включения/выключения, или только настроек температуры.
- Когда наступает установленное для таймера время, кондиционер начинает выполнять действие, назначенное для таймера.

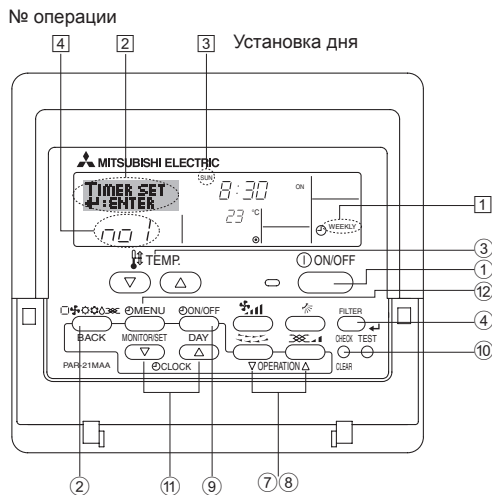
■ Настройка времени таймера может быть выполнена с точностью в 1 минуту.

Примечание:

*1. Таймеры недельный/простой/автоматического отключения не могут использоваться одновременно.

*2. Недельный таймер не будет работать в случае наличия следующих условий:

Функция таймера выключена; система находится в неисправном состоянии; выполняется тест системы; пульт дистанционного управления выполняет процедуру самотестирования или проверку пульта дистанционного управления; пользователь выполняет настройку таймера; пользователь выполняет настройку текущего дня недели или времени; система управляется из центрального пульта управления. (В частности, система не будет выполнять действия (включать или выключать устройство или контролировать температуру), которые отключены в результате возникновения этих условий).



<Настройка недельного таймера>

1. Убедитесь, что отображается стандартный экран управления, а также индикатор недельного таймера (①).
2. Нажмите кнопку таймера "Menu" (②), после чего на экране отобразится сообщение "Set Up" (Установка) (③). (Помните, что каждое нажатие кнопки переключает дисплей между режимами отображения "Set Up" (Установка) и "Monitor" (Монитор)).
3. Нажмите кнопку включения/выключения таймера "On/Off" (установка дня) (④) для установки дня недели. Каждое нажатие кнопки отображает (⑤) следующий параметр настройки в последовательности: "Вск Пнд Втр Сррд Чтв Птн Сбт" → "Sun" → ... → "Fri" → "Sat" → "Sun Mon Tues Wed Thurs Fri Sat"...
4. Нажмите ∇ или кнопку операции Δ (⑦ или ⑧) необходимое число раз для установки нужного значения (1 - 8) (④).
 - * Во время выполнения действий 3 и 4 будет выбран один из элементов показанной ниже таблицы.
 (Слева на дисплее пульта дистанционного управления показывается отображение индикации в случае установки приведенных далее значений операции 1 для воскресенья (Sunday)).

Таблица настройки

№ операции	Воскресенья	Понедельник	...	Суббота
№ 1	• 8:30 • ВКЛ. • 23 °C			
№ 2	• 10:00 • ВЫКЛ.	• 10:00 • ВЫКЛ.	• 10:00 • ВЫКЛ.	• 10:00 • ВЫКЛ.
...				
№ 8				

<Настройка операции 1 для воскресенья>
Включение кондиционера в 8:30
сконтролем температуры до 23 °C.

<Настройка операции 2 на каждый день>
Отключение кондиционера в 10:00.

Примечание:

Устанавливая день для параметра "Sun Mon Tues Wed Thurs Fri Sat", вы можете выполнить одно и то же действие каждый день в одно и то же время.

(Например, приведенная выше операция 2, которая одинакова для всех дней недели).

<Настройка недельного таймера>

Показывает установку времени (5) Показывает выбранную операцию (ON (ВКЛ.) или OFF (ВЫКЛ.))
* Не отображается, если операция не выбрана.

Показывает установки температуры. (7)
* Не отображается, если температура не установлена.

5. Нажмите соответствующую кнопку настройки времени (①) необходимое число раз для установки времени (⑤).
 - * Пока вы удерживаете кнопку нажатой, временные интервалы сначала будут иметь приращение по минуте, а после этого по одному часу.
6. Нажмите кнопку "ON/OFF" (ВКЛ./ВЫКЛ.) (①) для выбора нужной операции (ON или OFF) (⑥).
 - * Каждое нажатие кнопки изменяет следующую настройку в последовательности: не отображается (нет настройки) → "ON" (ВКЛ.) → "OFF" (ВЫКЛ.)

6. Таймер

- Нажмите соответствующую кнопку настройки температуры ③ для установки нужного значения температуры (7).
 - * Каждое нажатие кнопки изменяет настройку в последовательности: не отображается (нет настройки) ⇔ 24 ⇔ 25 ⇔ ... ⇔ 29 ⇔ 30 ⇔ 12 ⇔ ... ⇔ 23 ⇔ не отображается. (Доступный диапазон: от 12 °С до 30 °С. Действительный диапазон контролируемых температур может отличаться в зависимости от типа подключенного устройства).
- После выполнения соответствующих настроек в действиях 5, 6 и 7 нажмите кнопку "Filter" (Фильтр) ← ④ для сохранения значений. Для очистки значений текущих настроек для выбранной операции нажмите и быстро отпустите кнопку проверки (Clear) ⑩.
 - * Отображаемая настройка времени изменится на "—:—", а индикаторы "On/Off" и установки температуры исчезнут. (Для одновременной очистки настроек таймера удерживайте нажатой в течение 2 или более секунд кнопку проверки (Clear) ⑩. Индикатор начнет мигать, показывая, что все настройки были удалены).

Примечание:

Новые значения будут отменены, если перед кнопкой "Filter" (Фильтр) ← ④ вы нажмете кнопку выбора режима ②. Если вы настроили две или более операции для одного и того же времени, будет выполнена только операция с наивысшим номером операции.

- Повторите действия с 3 по 8 для заполнения необходимого числа ячеек.
- Нажмите кнопку режима (Back) ② для возврата к стандартному экрану управления и продолжения процедуры настройки.
- Для активизации таймера нажмите кнопку включения/выключения таймера "On/Off" ⑨, после чего индикатор "Timer Off" (Выкл. таймер) исчезнет с экрана. **Убедитесь, что индикатор "Timer Off" более не отображается.**
 - * Если настройки таймера отсутствуют, на экране будет мигать индикатор "Timer Off" (Выкл. таймер).

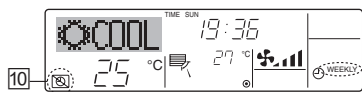
<Отображение настроек недельного таймера>



- Убедитесь, что индикатор недельного таймера отображается на экране (1).
- Нажмите кнопку таймера "Menu" ⑫, после чего на экране отобразится сообщение "Monitor" (Монитор) (13).
- Нажмите кнопку включения/выключения таймера "On/Off" (настройка дня) ⑨, после чего на экране отобразится сообщение "Set Up" (Установка) (14). (Помните, что каждое нажатие кнопки осуществляет переход к следующей операции таймера в порядке выполненных настроек времени.)
- Нажмите кнопку операции ∇ или ∆ (7 или 8) для изменения отображаемой на дисплее операции таймера (15).
 - * Каждое нажатие кнопки осуществит переход к следующей операции таймера в порядке выполненных настроек времени.
- Для закрытия монитора и возврата к стандартному экрану управления нажмите кнопку режима (Back) ②.

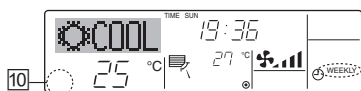
<Для отключения недельного таймера.>

Нажмите кнопку включения/выключения таймера "On/Off" ⑨, после чего на экране появится индикатор "Timer Off" (Таймер выкл.) (10).



<Для включения недельного таймера.>

Нажмите кнопку включения/выключения таймера "On/Off" ⑨, после чего индикатор "Timer Off" (Выкл. таймер) (10) потемнеет на экране.



6.1.2. Простой таймер

■ Вы можете настроить простой таймер тремя способами:

- Только время включения: кондиционер начнет работу после наступления установленного времени.
- Только время выключения: кондиционер прекратит работу после наступления установленного времени.
- Время включения и выключения: Кондиционер начинает и прекращает работу после наступления соответствующего времени.

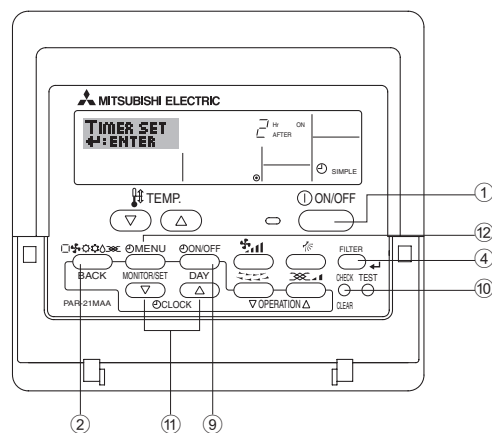
■ Простой таймер (включение и выключение) может быть настроен только для 72-х часового интервала времени. Настройки времени могут быть сделаны с приращением в один час.

Примечание:

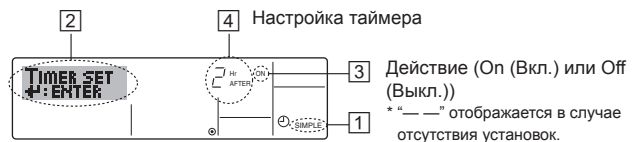
*1. Таймеры недельный/простой/автоматического отключения не могут использоваться одновременно.

*2. Простой таймер не будет работать в случае наличия следующих условий:

Таймер выключен; система находится в неисправном состоянии; выполняется тест системы; пульт дистанционного управления выполняет процедуру самотестирования или диагностики; пользователь пытается выбрать режим работы; пользователь выполняет настройку таймера; система управляется из центрального пульта управления. (В этих условиях операции включения и отключения запрещены).



<Настройка простого таймера>



- Убедитесь, что отображается стандартный экран управления, а также индикатор простого таймера (1). В случае отображения индикации, отличной от индикации простого таймера (Simple Timer), установите ее в "SIMPLE TIMER", используя функцию настройки таймера (см. 8.[4]-3 (3)).
- Нажмите кнопку таймера "Menu" ⑫, после чего на экране отобразится индикатор "Set Up" (Установка) (12). (Помните, что каждое нажатие кнопки переключает дисплей между режимами отображения "Set Up" (Установка) и "Monitor" (Монитор)).
- Нажмите кнопку "ON/OFF" (ВКЛ./ВЫКЛ.) ① для отображения текущих настроек простого таймера (ON или OFF). Нажмите кнопку один раз для отображения оставшегося времени до включения, а затем еще раз для отображения времени, оставшегося до выключения. (Индикатор "ON/OFF" отображается в 3).
 - * "ON" – таймер включения: кондиционер начнет работу после прохождения установленного числа часов.
 - * "OFF" – таймер отключения: кондиционер прекратит работу после прохождения установленного числа часов.
- Когда в 3: отображается "ON" или "OFF": нажмите соответствующую кнопку настройки времени ① для установки необходимого числа часов для включения (если отображается "ON") или для выключения (если в 4 отображается "OFF").
 - * Доступный диапазон: 1 - 72 часа
- Для настройки времени включения и отключения повторите действия 3 и 4.
 - * Помните, что для включения и выключения не может быть установлено одно и то же время.
- Для очистки текущих настроек времени включения и выключения: Отобразите настройки включения или выключения (см. действие 3) и нажмите кнопку проверки (Clear) ⑩ для очистки настроек в значение "—" 4. (Если нужно использовать только параметр включения или только отключения, убедитесь, что необходимый параметр не имеет значения "—").

6. Таймер

7. После выполнения действия с 3 по 6 нажмите кнопку "Filter" (Фильтр) ← ④ для сохранения значения.

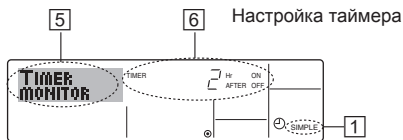
Примечание:

Новые настройки будут отменены, если перед кнопкой "Filter" (Фильтр) ← ④ вы нажмете кнопку режима (Back) ②.

8. Нажмите кнопку режима (Back) ② для возврата к стандартному экрану управления.

9. Нажмите кнопку включения/выключения таймера "On/Off" ⑨ для начала работы таймера. Во время работы таймера его значение отображается на дисплее. **Проверьте, что значение таймера отображается, и оно соответствует выполненным настройкам.**

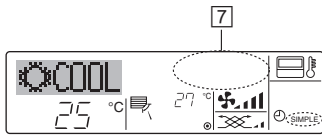
<Отображение текущих настроек простого таймера>



1. Убедитесь, что на экране отображается индикатор простого таймера (I).
2. Нажмите кнопку таймера "Menu" ⑫, после чего на экране отобразится сообщение "Monitor" (Монитор) (II).
 - Если простой таймер будет работать для включения или выключения, его установленное текущее значение отобразится в 6.
 - Если были установлены оба значения ("ON" (ВКЛ.) и "OFF" (ВЫКЛ.)), будут отображены оба значения.
3. Нажмите кнопку режима (Back) ② для закрытия индикатора монитора и возврата к стандартному экрану управления.

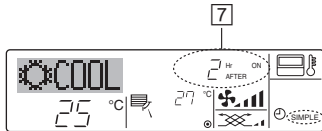
<Для отключения простого таймера отключения...>

Нажмите кнопку включения/выключения таймера "On/Off" ⑨, чтобы настройки таймера не отображались на экране (I).



<Для запуска простого таймера...>

Нажмите кнопку включения/выключения таймера "On/Off" ⑨, чтобы настройки таймера начали отображаться на экране (II).



Примеры

Если для простого таймера были установлены значения включения и отключения, действия и информация на дисплее будут подобны показанной далее информации.

Пример 1.

Запуск таймера с временем включения раньше времени отключения
 Время включения: 3 часа
 Время выключения: 7 часов

Пример 2.

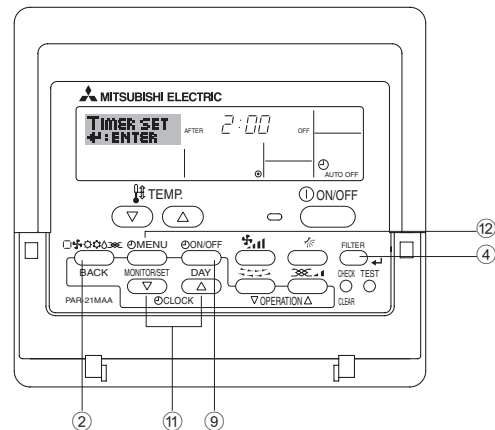
Запуск таймера с временем выключения раньше времени включения
 Время включения: 5 часов
 Время выключения: 2 часа

6.1.3. Таймер автоотключения

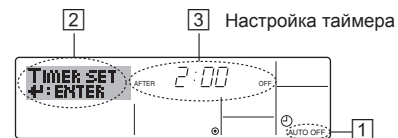
- Этот таймер начинает отсчет времени после включения кондиционера и выключает его в указанное в настройках время.
- Можно установить значения от 30 минут до 4 часов с 30-минутным приращением.

Примечание:

- *1. Таймеры недельный/простой/автоматического отключения не могут использоваться одновременно.
- *2. Таймер автоматического отключения не будет работать в случае наличия следующих условий:
 Таймер выключен; система находится в неисправном состоянии; выполняется тест системы; пульт дистанционного управления выполняет процедуру самотестирования или диагностики; пользователь пытается выбрать режим работы; пользователь выполняет настройку таймера; система управляется из центрального пульта управления. (В этих условиях операции включения и отключения запрещены).



<Настройка таймера автоматического выключения>



1. Убедитесь, что отображается стандартный экран управления и индикатор таймера отключения (Auto Off) (I).
 В случае отображения индикации, отличной от индикации таймера автоматического отключения (Auto Off Timer), установите ее в "AUTO OFF TIMER", используя функцию настройки таймера (см. 8.[4]-3 (3)).
2. Удерживайте нажатой кнопку таймера "Menu" ⑫ в течение 3 секунд до появления на экране индикации "Set Up" (Установка) (II). (Помните, что каждое нажатие кнопки переключает дисплей между режимами отображения "Set Up" (Установка) и "Monitor" (Монитор)).
3. Нажмите соответствующую кнопку настройки времени ⑪ для установки времени отключения (III).
4. Нажмите кнопку "Filter" (Фильтр) ← ④ для сохранения настроек.

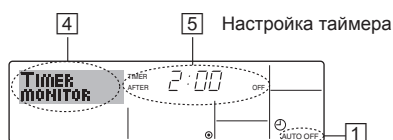
Примечание:

Настройки будут отменены, если перед кнопкой "Filter" (Фильтр) ← ④ вы нажмете кнопку режима (Back) ②.

5. Нажмите кнопку режима (Back) ② для продолжения процедуры настройки и возврата к стандартному экрану управления.
6. Если кондиционер уже работает, таймер начнет немедленный отсчет времени. **Обязательно проверьте правильность настроек, которые должны отображаться на дисплее.**

6. Таймер

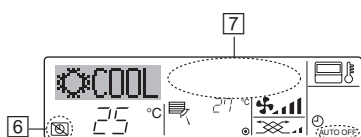
<Проверка текущих настроек таймера автоматического выключения>



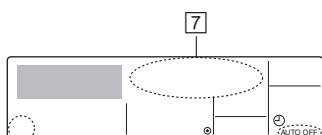
1. Убедитесь, что на экране отображается "Auto Off" (Выкл. автоматический режим) (1).
2. Удерживайте нажатой кнопку таймера "Menu" (2) в течение 3 секунд до появления на экране индикации "Monitor" (Монитор) (4).
 - Появится сообщение, что таймер отключен (5).
3. Для закрытия монитора и возврата к стандартному экрану управления нажмите кнопку режима (Back) (2).

<Для отключения таймера автоматического отключения...>

- Удерживайте нажатой кнопку включения/выключения таймера "On/Off" (3) в течение 3 секунд, после чего появится сообщение "Timer Off" (Выкл. таймер) (6), а значение настройки таймера (7) исчезнет.

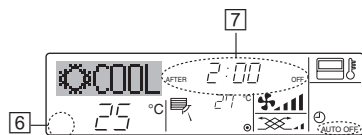


- В качестве альтернативы для этого можно также выключить кондиционер воздуха. Значение настройки таймера (7) исчезнет с экрана.

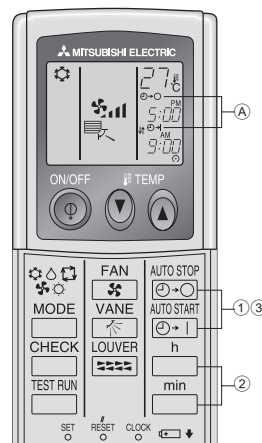


<Для включения таймера автоматического выключения...>

- Удерживайте нажатой кнопку включения/выключения таймера "On/Off" (3) в течение 3 секунд. Сообщение "Timer Off" (Выкл. таймер) исчезнет (6), а значение настройки таймера (7) появится на дисплее.
- В качестве альтернативы для этого можно также включить кондиционер воздуха. Значение настройки таймера появится в 7.



6.2. Для беспроводного пульта дистанционного управления



1. Нажмите кнопку или кнопку (УСТАНОВКА ТАЙМЕРА - TIMER SET).
2. Время можно установить, пока мигает следующий символ. Таймер OFF (Выкл.): Мигает . Таймер ON (Вкл.): Мигает .
3. С помощью кнопок и установите желаемое время.
3. Отмена таймера. Для отмены таймера выключения (OFF) нажмите кнопку . Для отмены таймера включения (ON) нажмите кнопку .

- Вы можете комбинировать таймеры выключения (OFF) и включения (ON).
- Нажатие кнопки (ВКЛ./ВЫКЛ.) на пульте дистанционного управления с целью остановки прибора во время действия режима таймера приведет к отмене таймеров.
- Если не установлено текущее время, использование функции таймера невозможно.

7. Прочие функции

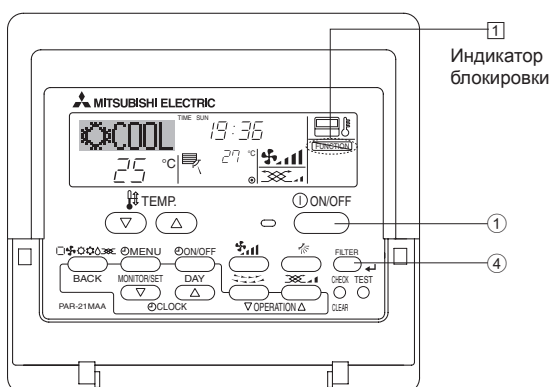
7.1. Блокировка кнопок пульта дистанционного управления (ограничение функциональности)

- По желанию вы можете блокировать кнопки на пульте дистанционного управления. Для выбора типа блокировки можно использовать настройки выбора функций (Function Selection) пульта дистанционного управления. (Дополнительную информацию о выборе типа блокировки см. в пункте [4]-2 (1) раздела 8). В особенности, можно выбрать два следующих типа блокировки:

1. Блокировка всех кнопок. Блокирует все кнопки пульта дистанционного управления.
2. Блокировка всех кнопок, кроме "ON/OFF". Блокирует все кнопки кроме "ON/OFF" (ВКЛ./ВЫКЛ.).

Примечание:

Индикатор блокировки "Locking function" (Блокировано) появляется на экране после того, как кнопки будут заблокированы.



<Как блокировать кнопки>

1. Удерживая нажатой кнопку "Filter" (Фильтр) (4), нажмите и удерживайте в течение 2 секунд кнопку "ON/OFF" (ВКЛ./ВЫКЛ.) (1). Сообщение "Locking function" (Блокировано) появится на экране (1), указывая, что блокировка включена.

- * Если функция блокировки была отключена на экране выбора функции (Function Selection), после того, как вы выполните нажатие описанных ранее кнопок, появится сообщение "Not Available" (Недоступно).

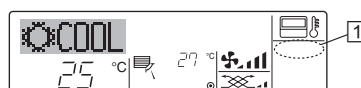


- Если вы нажмете заблокированную кнопку, на дисплее начнет мигать индикатор "Locking function" (Блокировано) (1).



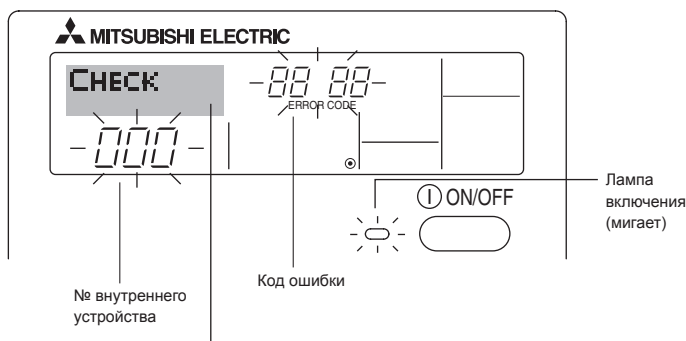
<Как разблокировать кнопки>

1. Удерживая нажатой кнопку "Filter" (Фильтр) (4), нажмите и удерживайте в течение 2 секунд кнопку "ON/OFF" (ВКЛ./ВЫКЛ.) (1) до исчезновения с экрана сообщения "Locking function" (Блокировано) (1).



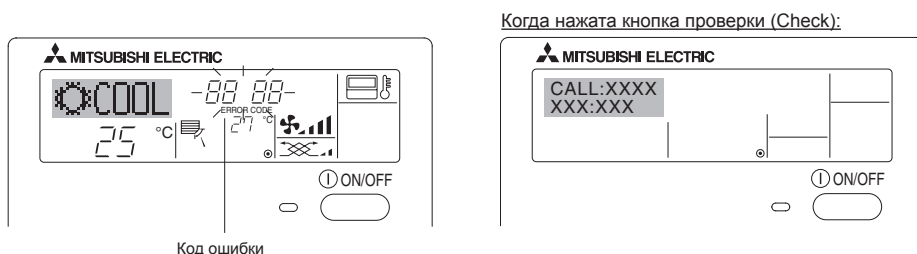
7. Прочие функции

7.2. Индикация кодов ошибок



Если вы настроили номер телефона вызова в случае возникновения проблем, этот номер будет отображен на экране. (Вы можете выполнить установку номера телефона на экране выбора функции (Function Selection). За дополнительной информацией обратитесь к разделу 8).

- Если одновременно мигают лампа включения и код ошибки: Это означает, что все операции остановлены, и кондиционер воздуха не работает (невозможно возобновить работу). Запишите номер устройства и код ошибки, затем отключите питание кондиционера и обратитесь к своему поставщику или в обслуживающую организацию.



- Если мигает только код ошибки (лампа включения продолжает гореть): Работа системы продолжается, но в ней возникли неполадки. В этом случае необходимо записать код ошибки и обратиться к своему поставщику или в обслуживающую организацию за помощью.
- * Если вы настроили номер телефона вызова обслуживающей организации в случае возникновения проблем, нажмите кнопку "Check" (Проверка) для отображения на экране этого номера. (Вы можете выполнить установку номера телефона на экране выбора функции (Function Selection). За дополнительной информацией обратитесь к разделу 8).

8. Выбор функции

Выбор функции с помощью пульта дистанционного управления

В режиме выбора функции с помощью пульта дистанционного управления можно настраивать нижеприведенные функции. При необходимости измените настройку.

Пункт 1	Пункт 2	Пункт 3 (Описание настройки)
1. Выбор языка ("CHANGE LANGUAGE")	Выбор языка отображения	<ul style="list-style-type: none"> • Возможен вариант индикации на разных языках
2. Ограничение функций ("Выбор функции")	(1) Настройка ограничений рабочей функции (блокировка режима работы) ("функция блокировки")	<ul style="list-style-type: none"> • Настройка диапазона ограничения режима работы (блокировка режима работы)
	(2) Использование настройки автоматического режима ("Выбор режима АВТО")	<ul style="list-style-type: none"> • Настройка включения или отключения "автоматического" режима работы
	(3) Настройка ограничения диапазона температуры ("Ограничение чст. температ")	<ul style="list-style-type: none"> • Настройка регулируемого диапазона температуры (максимум, минимум)
3. Выбор режима ("Выбор режима")	(1) Настройка пульта дистанционного управления (основной/дополнительный) ("Основной пульт/дополнительный пульт")	<ul style="list-style-type: none"> • Выбор основного или подчиненного пульта дистанционного управления * При подключении двух пультов дистанционного управления к одной группе один из пультов необходимо настроить как дополнительный.
	(2) Использование настройки часов ("часы")	<ul style="list-style-type: none"> • Настройка включения или отключения функции часов
	(3) Настройка функции таймера ("Недельныйтаймера")	<ul style="list-style-type: none"> • Настройка типа таймера
	(4) Настройка номера контакта при возникновении ошибки ("CALL.")	<ul style="list-style-type: none"> • Индикация номера контакта в случае возникновения ошибки • Настройка номера телефона
4. Изменение индикации ("Настройка индрежима")	(1) Настройка индикации температуры (°C/°F) ("Един. темпер. °C/°F")	<ul style="list-style-type: none"> • Настройка индикации единиц измерения температуры (°C или °F)
	(2) Настройка индикации температуры всасываемого воздуха ("Показывать темп. в комн.")	<ul style="list-style-type: none"> • Настройка включения или отключения индикации температуры воздуха (всасываемого) в помещении
	(3) Настройка индикации режима автоматического охлаждения/обогрева ("Ннд. Т/Х в режиме АВТО")	<ul style="list-style-type: none"> • Настройка включения или отключения отображения индикации "Охлаждение" или "Обогрев" при автоматическом режиме работы

8. Выбор функции

[Схема выбора функции]
Настройка языка (Английский)

Нормальный режим индикации (индикация, отображаемая при выключенном кондиционере)

Удерживая нажатой кнопку (E), нажмите кнопку (G) и удерживайте ее 2 секунды.

Удерживая нажатой кнопку (E), нажмите кнопку (G) и удерживайте ее 2 секунды.

- (E) Нажмите кнопку режима работы.
- (G) Нажмите кнопку TIMER MENU (МЕНЮ ТАЙМЕРА).
- (G) Нажмите кнопку TIMER ON/OFF (ТАЙМЕР ВКЛ/ВЫКЛ).

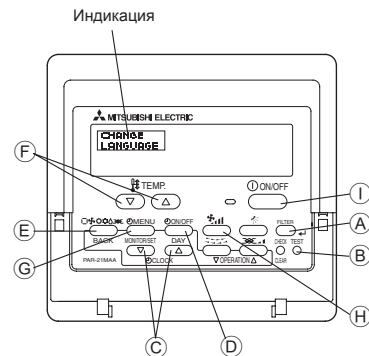
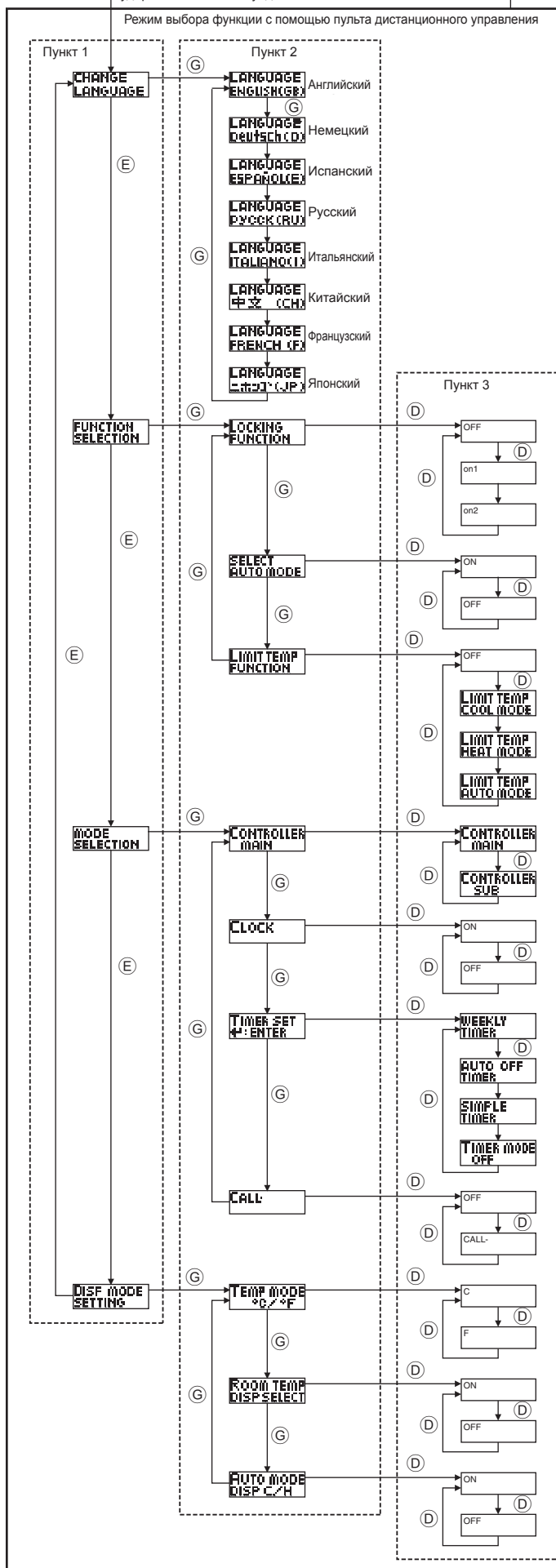
Режим выбора функции с помощью пульта дистанционного управления

Выбор языка

Выбор функции

Выбор режима

Настройка индрережима



- Настройка блокировки работы не используется. (Значение первоначальной настройки)
- Настройка блокировки работы кроме кнопок On/Off (Вкл/Выкл).
- Настройка блокировки работы для всех кнопок.
- При выборе режима работы отображается автоматический режим. (Значение первоначальной настройки)
- При выборе режима работы автоматический режим не отображается.
- Ограничение диапазона температуры не включено. (Значение первоначальной настройки)
- Диапазон температуры можно изменить в режиме охлаждения/сушки.
- Диапазон температуры можно изменить в режиме обогрева.
- Диапазон температуры можно изменить в автоматическом режиме.
- Пульт дистанционного управления будет основным пультом. (Значение первоначальной настройки)
- Пульт дистанционного управления будет дополнительным пультом.
- Функцию часов использовать можно. (Значение первоначальной настройки)
- Функцию часов использовать нельзя.
- Еженедельный таймер использовать можно. (Значение первоначальной настройки)
- Таймер автоотключения использовать можно.
- Простой таймер использовать можно.
- Режим таймера использовать нельзя.
- Введенные контактные номера не отображаются в случае ошибки. (Значение первоначальной настройки)
- Введенные контактные номера отображаются в случае ошибки.
- Используется единица температуры °C. (Значение первоначальной настройки)
- Используется единица температуры °F.
- Температура воздуха в помещении отображается. (Значение первоначальной настройки)
- Температура воздуха в помещении не отображается.
- При работе в автоматическом режиме отображается либо "Автоматическое охлаждение", либо "Автоматический обогрев". (Значение первоначальной настройки)
- В автоматическом режиме отображается только "Автоматически".

8. Выбор функции

[Детальная настройка]

[4]–1. Настройка CHANGE LANGUAGE (выбор языка)

Можно выбрать язык, на котором отображаются индикации на дисплее.

- Нажмите кнопку [⊖ MENU] ⊕, чтобы выбрать язык.
 - ① Английский (GB), ② Немецкий (D), ③ Испанский (E), ④ Русский (RU), ⑤ Итальянский (I), ⑥ Китайский (CH), ⑦ Французский (F), ⑧ Японский (JP)

См. таблицу точечного дисплея.

[4]–2. Ограничение функций

(1) Настройка ограничений рабочей функции (блокировка режима работы)

- Чтобы включить настройку, нажмите кнопку [⊖ ON/OFF] ⊕.
 - ① no1 : Настройка блокировки режима работы осуществляется всеми кнопками, кроме кнопки [⊖ ON/OFF].
 - ② no2 : Настройка блокировки режима работы осуществляется всеми кнопками.
 - ③ OFF (Исходное значение настройки) : Настройка блокировки режима работы не осуществляется.
- * Чтобы установить правильную настройку блокировки режима работы в нормальном режиме индикации экрана, необходимо нажать следующие кнопки (одновременно нажмите кнопки [FILTER] и [⊖ ON/OFF] и удерживайте их в течение 2 секунд) в нормальном режиме индикации экрана после выполнения настройки, упомянутой выше.

(2) Использование настройки автоматического режима

Если пульт дистанционного управления подключен к блоку, который работает в автоматическом режиме, можно выполнить следующие настройки.

- Чтобы включить настройку, нажмите кнопку [⊖ ON/OFF] ⊕.
 - ① ON (Исходное значение настройки) : Индикация автоматического режима отображается, если выбран режим работы.
 - ② OFF : Индикация автоматического режима не отображается, если выбран режим работы.

(3) Настройка ограничения диапазона температуры

После выполнения настройки можно изменить значение температуры в пределах установленного диапазона.

- Чтобы включить настройку, нажмите кнопку [⊖ ON/OFF] ⊕.
 - ① Ограничено охлаждение : Диапазон температуры можно изменить в режиме охлаждения/сушки.
 - ② Ограничен обогрев : Диапазон температуры можно изменить в режиме обогрева.
 - ③ Ограничен режим АВТО : Диапазон температуры можно изменить в автоматическом режиме.
 - ④ OFF (исходная настройка) : ограничение диапазона температуры выключено.
- * Если установлено значение кроме OFF (выкл.), одновременно выполняется настройка ограничения диапазона температуры в режимах охлаждения и обогрева, а также в автоматическом режиме. Тем не менее, диапазон невозможно ограничить, если установленный диапазон температуры не изменялся.
- Чтобы повысить или понизить температуру, нажмите кнопку [TEMP. (▽) и (△)] ⊕.
- Чтобы включить настройки верхнего и нижнего пределов, нажмите кнопку [TEMP. (▽) и (△)] ⊕. Замигает выбранная настройка и температуру можно установить.
- Устанавливаемый диапазон
Режим охлаждения/сушки:
Нижний предел: от 19°C до 30°C Верхний предел: от 30°C до 19°C
Режим обогрева:
Нижний предел: от 17°C до 28°C Верхний предел: от 28°C до 17°C
Автоматический режим:
Нижний предел: от 19°C до 28°C Верхний предел: от 28°C до 19°C

[4]–3. Настройка выбора режима

(1) Настройка пульта дистанционного управления (основной/дополнительный)

- Чтобы включить настройку, нажмите кнопку [⊖ ON/OFF] ⊕.
 - ① Основной: контроллер будет установлен как основной.
 - ② Дополнительный: контроллер будет установлен как дополнительный.

(2) Использование настройки часов

- Чтобы включить настройку, нажмите кнопку [⊖ ON/OFF] ⊕.
 - ① ON: Можно использовать функцию часов.
 - ② OFF: Функция часов использовать невозможно.

(3) Настройка функции таймера

- Чтобы включить настройку, нажмите кнопку [⊖ ON/OFF] ⊕ (Выберите одну из настроек, приведенных ниже.).
 - ① Недельный таймер (Исходное значение настройки): Можно использовать еженедельный таймер.
 - ② АВТО от ключу. по таймеру: Можно использовать таймер автоотключения.
 - ③ Простой таймер: Можно использовать обычный таймер.
 - ④ Таймер выкл.: Режим таймера использовать невозможно.
- * Если настройка часов имеет значение OFF, "Недельный таймер" использовать невозможно.

(4) Настройка номера контакта при возникновении ошибки

- Чтобы включить настройку, нажмите кнопку [⊖ ON/OFF] ⊕.
 - ① CALL OFF: В случае ошибки настроенные контактные номера не отображаются.
 - ② CALL **** * : В случае ошибки настроенные контактные номера отображаются.
CALL_ : Контактный номер можно настроить, если индикация отображается слева.
- Настройка контактных номеров
Для настройки контактных номеров следуйте перечисленным процедурам.
Для настройки номеров перемещайте мигающий курсор. Нажмите кнопку [TEMP. (▽) и (△)] ⊕ для перемещения курсора вправо (влево). Нажмите кнопку [⊖ CLOCK (▽) и (△)] ⊕ для настройки номеров.

[4]–4. Настройка изменения индикации

(1) Настройка индикации температуры (°C/°F)

- Чтобы включить настройку, нажмите кнопку [⊖ ON/OFF] ⊕.
 - ① °C: Используемая единица измерения температуры - °C.
 - ② °F: Используемая единица измерения температуры - °F.

(2) Настройка индикации температуры всасываемого воздуха

- Чтобы включить настройку, нажмите кнопку [⊖ ON/OFF] ⊕.
 - ① ON: Температура всасываемого воздуха отображается.
 - ② OFF: Температура всасываемого воздуха не отображается.

(3) Настройка индикации режима автоматического охлаждения/обогрева

- Чтобы включить настройку, нажмите кнопку [⊖ ON/OFF] ⊕.
 - ① ON: При работе в автоматическом режиме отображается либо "Автоматическое охлаждение", либо "Автоматический обогрев".
 - ② OFF: В автоматическом режиме отображается только "Автоматический".

8. Выбор функции

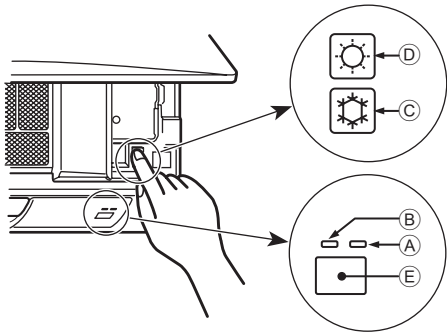
[Таблица точечного дисплея]

Настройка языка		Английский	Немецкий	Испанский	Русский	Итальянский	Китайский	Французский	Японский
Ожидание запуска		PLEASE WAIT	←	←	←	←	←	←	←
Режим работы	Режим охлаждения	COOL	Kühlen	FRÍO	Холод	COOL	制冷	FROID	冷房
	Режим сушки	DRY	Trocknen	DESHUMIDIFICACIÓN	Сушка	DRY	除湿	DESHU	ドライ
	Режим отопления	HEAT	Heizen	CALOR	Тепло	HEAT	制热	CHAUD	暖房
	Автоматический режим	AUTO	AUTO	AUTOMÁTICO	Авто	AUTO	自动	AUTO	自動
	Автоматический режим (охлаждение)	COOL	Kühlen	FRÍO	Холод	COOL	制冷	FROID	冷房
	Автоматический режим (отопление)	HEAT	Heizen	CALOR	Тепло	HEAT	制热	CHAUD	暖房
	Режим вентилятора	FAN	Lüfter	VENTILACIÓN	Вент	VENTILAZIONE	送风	VENTILATION	送風
	Вентиляция	VENTILATION	Gelüftebetrieb	VENTILACIÓN	Вентиляция	ARIA ESTERNA	换气	VENTILATION	換気
	Ожидание (Горячая настройка)	STAND BY	STAND BY	CALENTANDO	ОБОГРЕВ: ПАУЗА	STAND BY	准备中	PRE CHAUFFAGE	準備中
Оттаивание	DEFROST	Abtauen	DESCONGE-LACIÓN	ОТТАИВАНИЕ	SBRINAMENTO	除霜中	DEGIVRAGE	霜取中	
Заданная температура		SET TEMP	TEMP einstellen	TEMP. CONSIGNA	ЦЕЛЕВАЯ ТЕМПЕРАТУРА	IMPOSTAZIONE TEMPERATURA	设定温度	REGLAGE TEMPERATURE	設定温度
Скорость вентилятора		FAN SPEED	Lüftergeschwindigkeit	VELOCIDAD VENTILADOR	СКОРОСТЬ ВЕНТИЛЯТОРА	VELOCITA' VENTILATORE	风速	VITESSE DE VENTILATION	風速
Кнопка не используется		NOT AVAILABLE	nicht verfügbar	NO DISPONIBLE	НЕ ДОСТУПНО	NON DISPONIBILE	无效按钮	NON DISPONIBLE	無効ボタン
Проверка (ошибка)		CHECK	Prüfen	COMPROBAR	ПРОВЕРКА	CHECK	检查	CONTROLE	点検
Тестовый запуск		TEST RUN	Testbetrieb	TEST FUNCIONAMIENTO	ТЕСТОВЫЙ ЗАПУСК	TEST RUN	试运行	TEST	試運転
Самодиагностика		SELF CHECK	Selbst-diagnose	AUTO REVISIÓN	САМОДИАГНОСТИКА	SELF CHECK	自我诊断	AUTO CONTROLE	自己診断
Выбор функции прибора		FUNCTION SELECTION	Funktion auswählen	SELECCIÓN DE FUNCIONES	ВЫБОР ФУНКЦИИ	SELEZIONE FUNZIONI	功能选择	SELECTION FUNCTIONS	メニュー選択
Настройка вентиляции		SETTING OF VENTILATION	Lüfterstufen wählen	CONFIG. VENTILACIÓN	НАСТРОЙКА ВЕНТУСТАН.	IMPOSTAZIONE ARIA ESTERNA	换气设定	SELECTION VENTILATION	換気設定

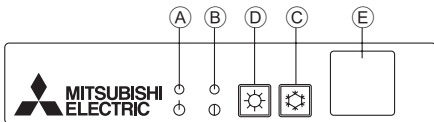
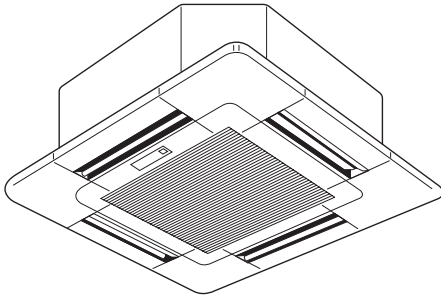
Настройка языка		Английский	Немецкий	Испанский	Русский	Итальянский	Китайский	Французский	Японский
Выбор языка		CHANGE LANGUAGE	←	←	←	←	←	←	←
Выбор функции		FUNCTION SELECTION	Funktion auswählen	SELECCIÓN DE FUNCIONES	ВЫБОР ФУНКЦИИ	SELEZIONE FUNZIONI	功能限制	SELECTION FUNCTIONS	メニュー制限
Настройка ограничения рабочей функции		LOCKING FUNCTION	Sperre - Funktion	FUNCION BLOQUEADA	ФУНКЦИЯ БЛОКИРОВКИ	BLOCCO FUNZIONI	操作限制	BLOCCAGE FONCTIONS	操作ロック
Использование настройки автоматического режима		SELECT AUTO MODE	Auswahl auto Betrieb	SELECCIÓN MODO AUTO	ВЫБОР РЕЖИМА АВТО	SELEZIONE MODO AUTO	自动模式	SELECTION DU MODE AUTO	自動モード
Настройка ограничения температурного диапазона		LIMIT TEMP FUNCTION	Limit Temp Funktion	LIMIT TEMP CONSIGNA	ОГРАНИЧЕНИЕ УЛТ. ТЕМПЕРАТ	LIMITAZIONE TEMPERATURA	温度限制	LIMITATION TEMPERATURE	温度制限
Ограничение температуры охлаждения/дневного режима		LIMIT TEMP COOL MODE	Limit Kühl Temp	LIMIT TEMP MODO FRÍO	ОГРАНИЧЕНО ОХЛАЖДЕНИЕ	LIMITAZIONE MODO COOL	制冷范围	LIMITE TEMP MODO FROID	制冷房
Ограничение температуры режима обогрева		LIMIT TEMP HEAT MODE	Limit Heiz Temp	LIMIT TEMP MODO CALOR	ОГРАНИЧЕНО ОБОГРЕВ	LIMITAZIONE MODO HEAT	制热范围	LIMITE TEMP MODO CHAUD	制热房
Ограничение температуры автоматического режима		LIMIT TEMP AUTO MODE	Limit Auto Temp	LIMIT TEMP MODO AUTO	ОГРАНИЧЕНО РЕЖИМ АВТО	LIMITAZIONE MODO AUTO	自动范围	LIMITE TEMP MODO AUTO	制自動
Выбор режима		MODE SELECTION	Betriebsart wählen	SELECCIÓN DE MODO	ВЫБОР РЕЖИМА	SELEZIONE MODO	基本模式	SELECTION DU MODE	基本メニュー
Пульт дистанционного управления настроен как ОСНОВНОЙ		CONTROLLER MAIN	Hauptcontroller	CONTROL PRINCIPAL	ОСНОВНОЙ ПУЛЬТ	CONTROLLO MAIN	遥控主	TELCOMMANDE MAITRE	リモコン主
Пульт дистанционного управления настроен как ДОПОЛНИТЕЛЬНЫЙ		CONTROLLER SUB	Nebencontroller	CONTROL SECUNDARIO	ДОПОЛНИТЕЛЬНЫЙ ПУЛЬТ	CONTROLLO SUB	遥控辅	TELCOMMANDE ESCLAVE	リモコン主副
Использование настройки часов		CLOCK	Uhr	RELOJ	Часы	OROLOGIO	时钟	AFFICHAGE HORLOGE	時計
Установка дня недели и времени		TIME SET	Uhr stellen	CONFIG RELOJ	Часы: УСТ.	OROLOGIO	时间	HORLOGE	トゲイセツテイ
Установка таймера		TIMER SET	Zeitschaltuhr	TEMPORIZA - DOR	ТАЙМЕР: УСТ.	TIMER	定时器	PROG HORAIRES	タイマーセツテイ
Монитор таймера		TIMER MONITOR	Uhrzeit Anzeige	VISUALIZAR TEMPORIZAD.	ПРОСМОТР ТАЙМЕРА	VISUALIZ TIMER	定时器状态	AFFICHAGE PROG HORAIRES	タイマーモニター
Еженедельный таймер		WEEKLY TIMER	Wochenzeit schalt Uhr	TEMPORIZA - DOR SEMANAL	НЕДЕЛЬНЫЙ ТАЙМЕР	TIMER SETTIMANALE	每周定时器	PROG HERDO MADAIRE	タイマー週間
Режим таймера выключен		TIMER MODE OFF	Zeitschaltuhr AUS	TEMPORIZA - DOR APAGADO	ТАЙМЕР ВЫКЛ.	TIMER OFF	定时器无效	PROG HORAIRES INACTIF	タイマー無効
Таймер автоотключения		AUTO OFF TIMER	Auto Zeit funktion AUS	APAGADO AUTOMÁTICO	АВТООТКЛЮЧ. ПО ТАЙМЕРУ	AUTO OFF TIMER	解除定时	PROG HORAIRES ARRET AUTO	タイマーオフオート
Простой таймер		SIMPLE TIMER	Einfache Zeitfunktion	TEMPORIZA - DOR SIMPLE	ПРОСТОЙ ТАЙМЕР	TIMER SEMPLIFICATO	简易定时器	PROG HORAIRES SIMPLIFE	タイマーカンイ
Ввод контактного номера в случае ошибки		CALL	←	←	←	←	←	←	←
Изменение дисплея		DISP MODE SETTING	Anzeige Betriebsart	MOSTRAR MODO	НАСТРОЙКА ИНД. РЕЖИМА	IMPOSTAZIONE MODO DISPLAY	转换表示	AFFICHAGE SOUS MENU	表示切替
Настройка дисплея температуры °C/°F		TEMP MODE	Wechsel °C/°F	TEMPGRADOS °C/°F	ЕДИН. ТЕМПЕРАТ.	TEMPERATURA °C/°F	温度 °C/°F	TEMPERATURE °C/°F	温度 °C/°F
Настройка дисплея температуры воздуха в помещении		ROOM TEMP DISP SELECT	Raum Temp zeigewahl	MOSTRAR TEMP.	ПОКАЗЫВАТЬ ТЕМП. В КОМН.	TEMPERATURA AMBIENTE	吸入温度	TEMPERATURE AMBIANTE	スライコオト
Настройка дисплея автоматического охлаждения/обогрева		AUTO MODE DISP C/H	Auto Betrieb C/H	MOSTRAR F/C EN AUTO	ИНА. Т/Х В РЕЖИМЕ АВТО	AUTO C/H	自动表示	AFFICHAGE AUTO F/C	自動表示

9. Работа пульта дистанционного управления в аварийном режиме

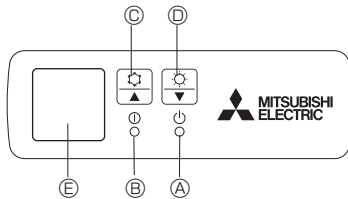
■ PKFY-P-VKM-E



■ PLFY-P-VCM-E2



■ PCFY-P-VKM-E



Если пульт дистанционного управления использовать нельзя
Если батарейки пульта дистанционного управления разрядились или в нем имеется неисправность, аварийный режим можно включить с помощью аварийных кнопок на решетке.

- Ⓐ Лампа DEFROST/STAND BY (РАЗМОРАЖИВАНИЕ/ОЖИДАНИЕ)
- Ⓑ Лампа работы
- Ⓒ Аварийный выключатель режима охлаждения
- Ⓓ Аварийный выключатель режима обогрева
- Ⓔ Приемник

Начало работы

- Для включения режима охлаждения нажмите и удерживайте кнопку Ⓒ ☼ в течение не менее 2 секунд.
- Для включения режима обогрева нажмите и удерживайте кнопку Ⓓ ☼ в течение не менее 2 секунд.
- Зажигание лампы работы Ⓑ означает начало работы.

Примечание:

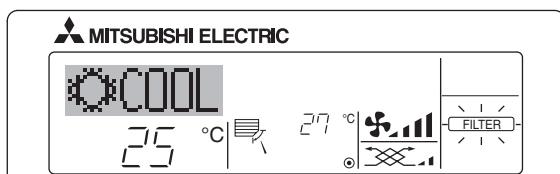
- Подробности аварийного режима приводятся ниже. Подробности АВАРИЙНОГО РЕЖИМА приводятся ниже.

Режим работы	COOL	HEAT
Заданная температура	24°C	24°C
Скорость вентилятора	Высокая	Высокая
Направление воздушного потока	Горизонтальное	Вниз 4 (5)

Выключение

- Для выключения нажмите и удерживайте кнопку Ⓒ ☼ или кнопку Ⓓ ☼ в течение не менее 2 секунд.

10. Уход и чистка



- Указывает на необходимость очистки фильтра. Очистите фильтр.
- Для сброса индикации "FILTER" (фильтр)
Если кнопку [FILTER] (фильтр) нажать быстро дважды после чистки фильтра, данная индикация погаснет, и функция вернется в исходное состояние.

Примечание:

- Если с пульта дистанционного управления осуществляется управление двумя или более внутренними блоками, срок действия фильтра определяется его типом. Индикация "FILTER" (фильтр) появляется на дисплее в случае необходимости очистки фильтра на главном внутреннем блоке. Когда индикация фильтра гаснет на дисплее, функция восстанавливает кумулятивное время замены фильтра.
- Индикация "FILTER" (фильтр) указывает на необходимость очистки фильтра после истечения определенного заданного срока его использования в нормальных условиях эксплуатации внутри помещения. Однако, ввиду того, что степень загрязненности фильтра определяется конкретными условиями эксплуатации, необходимо производить очистку фильтра с учетом данного фактора.
- Кумулятивный срок действия фильтра зависит от модели кондиционера.
- Данная индикация недоступна для пульта дистанционного управления.

▶ Чистка фильтров

- Проводите чистку фильтров с использованием пылесоса. При отсутствии пылесоса, легким постукиванием фильтра о твердый предмет стряхните с него грязь или пыль.
- Если фильтры сильно загрязнены, промойте их в теплой воде. Тщательно смойте остатки моющего средства и полностью просушите фильтры перед их обратной установкой в прибор.

⚠ Осторожно:

- Не сушите фильтры под прямыми солнечными лучами или с использованием источника отопления, такого как электрообогревателя: это может привести к деформации фильтров.
- Не промывайте фильтры в горячей воде (выше 50°C), так как это может привести к их деформации.
- Не забывайте устанавливать фильтры на место. Эксплуатация прибора без фильтров воздуха может привести к его поломке.

⚠ Осторожно:

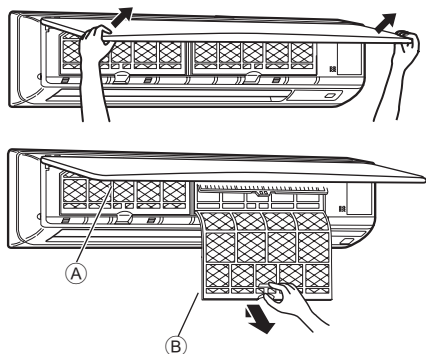
- Прежде чем начать чистку, остановите работу прибора и отключите подачу электропитания.
- Внутренние приборы оборудованы фильтрами для удаления пыли из засасываемого воздуха. Прочищайте фильтры с помощью методов, обозначенных на рисунках ниже.

⚠ Осторожно:

- При удалении фильтра необходимо соблюдать меры предосторожности для защиты глаз от пыли. Также если для выполнения этой работы необходимо вставать на стул, соблюдайте осторожность, чтобы не упасть с него.
- После снятия фильтра не дотрагивайтесь до металлических частей внутри наружного блока, несоблюдение данного правила может привести к травме.

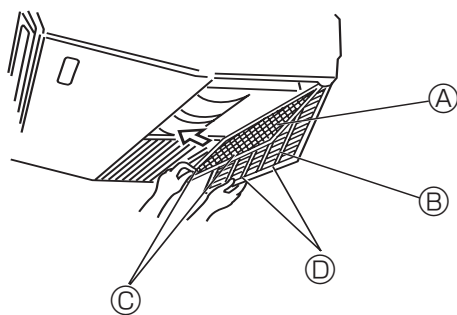
10. Уход и чистка

■ PKFY-P-VKM-E



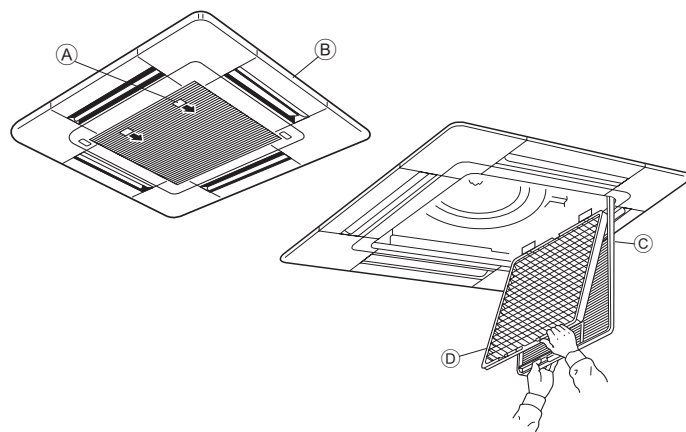
- ① Двумя руками потяните оба нижних угла воздухозаборной решетки, чтобы открыть ее, затем поднимите фильтр до его фиксации в положении остановки.
 - ② Возьмитесь за рукоятки фильтра и потяните фильтр вверх, а затем потяните его наружу и вниз. (В двух местах, справа и слева.)
- А Передняя решетка
 В Фильтр

■ PCFY-P-VKM-E



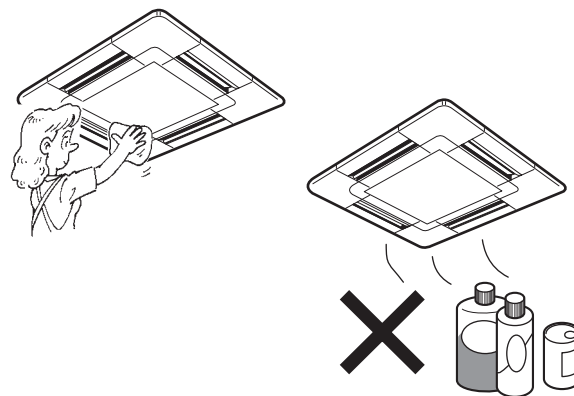
- ① Откройте воздухозаборную решетку.
 - ② Удерживайте рукоятку фильтра, затем потяните его вверх в направлении стрелки. При установке фильтра после чистки убедитесь, что он вставлен достаточно глубоко - до стопора.
- А Фильтр В Воздухозаборная решетка С Рукоятка D Стопор

■ PLFY-P-VCM-E2



- ① Потяните за круглую ручку на воздухозаборной решетке в направлении, указанном стрелкой; решетка должна открыться.
 - ② Откройте воздухозаборную решетку.
 - ③ Освободите ручку на центральном ребре воздухозаборной решетки и потянув фильтр вперед, снимите его.
- А Рукоятка
 В Решетка
 С Воздухозаборная решетка
 D Фильтр

Очистка внутреннего прибора



- Протрите внутреннюю часть прибора чистой, сухой, мягкой тканью.
- Очистите какие-либо пятна или следы пальцев с помощью нейтрального бытового моющего средства (такого, как жидкость для мытья посуды или стиральный порошок).

⚠ Осторожно:

Никогда не пользуйтесь бензином, бензолом, растворителем, полировальным порошком или другим типом агрессивного моющего средства, так как эти вещества могут повредить корпус прибора.

11. Исправление неполадок

Возникла проблема?	Вот решение. (Прибор работает нормально.)
Кондиционер не обеспечивает должный обогрев или охлаждение.	<ul style="list-style-type: none"> ■ Очистите фильтр. (При загрязнении или закупорке фильтра поток воздуха уменьшается.) ■ Проверьте регулировку температуры и отрегулируйте заданную температуру. ■ Убедитесь, что вокруг наружного прибора достаточно места. Не заблокированы ли впуск или выпуск воздуха? ■ Не оставлена ли открытой дверь или окно?
При начале работы в режиме обогрева теплый воздух из внутреннего прибора поступает через некоторое время.	<ul style="list-style-type: none"> ■ Теплый воздух не поступает до тех пор, пока внутренний прибор не прогреется до достаточной степени.
В режиме обогрева кондиционер останавливается до достижения заданной температуры в помещении.	<ul style="list-style-type: none"> ■ Если температура наружного воздуха низка, а влажность высокая, на наружном приборе может образоваться изморось. Если это произойдет, наружный прибор работает в режиме размораживания. Обычная работа должна возобновиться примерно через 10 минут.
Направление потока воздуха вверх/вниз изменяется при работе или направление потока воздуха нельзя задать.	<ul style="list-style-type: none"> ■ В режиме охлаждения лопатки автоматически перемещаются в горизонтальное (вниз) положение после 1 часа, если выбрано направление потока воздуха вниз (горизонтально). Это необходимо для предотвращения образования воды и падения капель с лопаток. ■ В режиме обогрева лопатки автоматически перемещаются в направление горизонтального потока воздуха, когда температура потока воздуха низкая, или в режиме размораживания.
При изменении направления воздушного потока, лопатки всегда двигаются вверх и вниз, проходя через заданное положение, перед тем, как полностью остановиться в положении.	<ul style="list-style-type: none"> ■ При изменении направления воздушного потока лопатки перемещаются в заданное положение после определения базового положения.
Слышен звук текущей воды или время от времени шипящий звук.	<ul style="list-style-type: none"> ■ Эти звуки могут быть слышны, когда в кондиционере течет хладагент, или при изменении потока хладагента.
Слышен треск или скрип.	<ul style="list-style-type: none"> ■ Эти звуки могут быть слышны при трении деталей друг о друга по причине расширения и сжатия из-за изменений температуры.
В помещении неприятный запах.	<ul style="list-style-type: none"> ■ Внутренний прибор всасывает воздух с газами, исходящими из стен, ковровых настилов, мебели, а также запахи одежды, затем выдувает этот воздух обратно в помещение.
Из внутреннего прибора выходит белая дымка или пар.	<ul style="list-style-type: none"> ■ Если температура в помещении и влажность высокие, такое явление может наблюдаться при начале работы. ■ В режиме размораживания может подаваться холодный воздушный поток, который может казаться дымкой.
Из наружного прибора выходит вода или пар.	<ul style="list-style-type: none"> ■ В режиме охлаждения вода может образовываться и капать с холодных труб и стыков. ■ В режиме обогрева вода может образовываться и капать с теплообменника. ■ В режиме размораживания вода на теплообменнике испаряется, и может появиться водяной пар.
Индикатор работы не появляется на дисплее пульта дистанционного управления.	<ul style="list-style-type: none"> ■ Включите питание. На дисплее пульта дистанционного управления появится "●".
Кондиционер воздуха не работает, хотя нажата кнопка "ON/OFF" (ВКЛ./ВЫКЛ.). На пульте дистанционного управления не отображается индикатор режима работы.	<ul style="list-style-type: none"> ■ Возможно, выключено питание внутреннего прибора. Включите питание.
На дисплее пульта дистанционного управления отображается "✉".	<ul style="list-style-type: none"> ■ При центральном управлении на пульте дистанционного управления появляется "✉", и запустить или остановить работу кондиционера с пульта дистанционного управления нельзя.
При перезапуске кондиционера вскоре после его останова он не работает, несмотря на нажатие кнопки ON/OFF (ВКЛ./ВЫКЛ.).	<ul style="list-style-type: none"> ■ Подождите примерно три минуты. (Работа остановилась для защиты кондиционера.)
Кондиционер работает без нажатия кнопки ON/OFF (ВКЛ./ВЫКЛ.).	<ul style="list-style-type: none"> ■ Не установлен ли таймер включения? ■ Нажмите кнопку ON/OFF (ВКЛ./ВЫКЛ) для останова работы. ■ Не подключен ли кондиционер к центральному пульту дистанционного управления? ■ Проконсультируйтесь с людьми, управляющими кондиционером. ■ Не отображается ли "✉" на дисплее пульта дистанционного управления? ■ Проконсультируйтесь с людьми, управляющими кондиционером. ■ Не задана ли функция автоматического восстановления после сбоев электропитания? ■ Нажмите кнопку ON/OFF (ВКЛ./ВЫКЛ) для останова работы.
Кондиционер останавливается без нажатия кнопки ON/OFF (ВКЛ./ВЫКЛ.).	<ul style="list-style-type: none"> ■ Не установлен ли таймер отключения? ■ Нажмите кнопку ON/OFF (ВКЛ./ВЫКЛ) для перезапуска работы. ■ Не подключен ли кондиционер к центральному пульту дистанционного управления? ■ Проконсультируйтесь с людьми, управляющими кондиционером. ■ Не отображается ли "✉" на дисплее пульта дистанционного управления? ■ Проконсультируйтесь с людьми, управляющими кондиционером.
Невозможно задать работу по таймеру с пульта дистанционного управления.	<ul style="list-style-type: none"> ■ Действительны ли настройки таймера? ■ Если таймер можно задать, на дисплее пульта дистанционного управления отображается (WEEKLY), (SIMPLE), или (AUTO OFF)
На дисплее пульта дистанционного управления отображается сообщение "PLEASE WAIT" (ПОЖАЛУЙСТА, ПОДОЖДИТЕ).	<ul style="list-style-type: none"> ■ Осуществляются первоначальные настройки. Подождите примерно 3 минуты.
На дисплее пульта дистанционного управления отображается код ошибки.	<ul style="list-style-type: none"> ■ Включились защитные устройства для защиты кондиционера. ■ Не пытайтесь отремонтировать данное оборудование самостоятельно. Немедленно отключите питание и обратитесь к своему поставщику. Обязательно сообщите поставщику наименование модели и информацию, которая появилась на дисплее пульта дистанционного управления.
Слышен звук дренажа воды или вращения двигателя.	<ul style="list-style-type: none"> ■ При останове режима охлаждения дренажный насос включается, затем останавливается. Подождите примерно 3 минуты.

11. Исправление неполадок

Возникла проблема?	Вот решение. (Прибор работает нормально.)												
Уровень шума превышает уровень, указанный в технических характеристиках.	<ul style="list-style-type: none"> Уровень рабочего звука в помещении зависит от акустики конкретного помещения, как показано в следующей таблице, и этот уровень будет выше, чем указано в технических характеристиках, которые были измерены в эхонегативном помещении. <table border="1"> <thead> <tr> <th></th> <th>Помещения с высоким уровнем поглощения шума</th> <th>Обычные помещения</th> <th>Помещения с низким уровнем поглощения шума</th> </tr> </thead> <tbody> <tr> <td>Примеры местоположения</td> <td>Студия радиовещания, музыкальная студия и т.д.</td> <td>Приемная, вестибюль, гостиницы и т.д.</td> <td>Офис, гостиничный номер</td> </tr> <tr> <td>Уровни шума</td> <td>от 3 до 7 дБ</td> <td>от 6 до 10 дБ</td> <td>от 9 до 13 дБ</td> </tr> </tbody> </table>		Помещения с высоким уровнем поглощения шума	Обычные помещения	Помещения с низким уровнем поглощения шума	Примеры местоположения	Студия радиовещания, музыкальная студия и т.д.	Приемная, вестибюль, гостиницы и т.д.	Офис, гостиничный номер	Уровни шума	от 3 до 7 дБ	от 6 до 10 дБ	от 9 до 13 дБ
	Помещения с высоким уровнем поглощения шума	Обычные помещения	Помещения с низким уровнем поглощения шума										
Примеры местоположения	Студия радиовещания, музыкальная студия и т.д.	Приемная, вестибюль, гостиницы и т.д.	Офис, гостиничный номер										
Уровни шума	от 3 до 7 дБ	от 6 до 10 дБ	от 9 до 13 дБ										
На пульте дистанционного управления ничего не отображается, дисплей тусклый, или внутренний прибор получает сигналы, если только пульт дистанционного управления находится близко.	<ul style="list-style-type: none"> Батарейки разряжены. Замените батарейки и нажмите кнопку Reset (Сброс). Если после замены батареек ничего не появляется, убедитесь, что батарейки вставлены с соблюдением полярности (+, –). 												
Лампа работы около приемника пульта дистанционного управления на внутреннем приборе мигает.	<ul style="list-style-type: none"> Включилась функция самодиагностики для защиты кондиционера. Не пытайтесь отремонтировать данное оборудование самостоятельно. Немедленно отключите питание и обратитесь к своему поставщику. Обязательно сообщите поставщику наименование модели. 												
Из внутреннего прибора периодически дует теплый воздух, хотя режим отопления выключен или выбран режим вентилятора.	<ul style="list-style-type: none"> Когда другой внутренний прибор работает в режиме отопления, время от времени открывается и закрывается регулирующий клапан, что поддерживает стабильность системы кондиционирования воздуха. Через некоторое время он выключится. * Если из-за этого в комнате небольшого размера и т.д. повысится окружающая температура, временно выключите внутренний прибор. 												

Диапазон параметров применения:

Диапазон рабочих температур для внутреннего и для внешнего приборов серии Y, R2, Multi-S указан ниже.

⚠ Осторожно:

Использование кондиционера за пределами указанных рабочих параметров температуры и влажности может привести к его серьезной неполадке

Режим	Внутренний прибор	Внешний прибор		
		PUNY	PURY	PUMY
Охлаждение	15 °C до 24 °C WB	–5 °C до 46 °C DB	–5 °C до 46 °C DB	–5 °C до 46 °C DB
Отопление	15 °C до 27 °C DB	–20 °C до 15,5 °C WB	–20 °C до 15,5 °C WB	–15 °C до 15 °C WB

Примечание: В качестве стандартных параметров влажности для внешних и внутренних приборов мы рекомендуем диапазон от 30 до 80% относительной влажности.

⚠ Предупреждение:

Если кондиционер работает, но при этом не охлаждает или не обогревает (в зависимости от модели) помещение, обратитесь к Вашему дилеру, так как это может свидетельствовать об утечке хладагента. После выполнения ремонтных работ обязательно спрашивайте представителя службы техобслуживания о наличии или отсутствии утечки хладагента.

Хладагент, заправленный в систему кондиционера, не представляет опасности для здоровья. Обычно утечки хладагента не наблюдается, однако в случае утечки газа хладагента внутри помещения и его последующего контакта с огнем тепловентилятора, отопителя помещений, печи и т. д. происходит образование вредных для здоровья веществ.

12. Технические характеристики

Модель		PKFY-P63VKM-E	PKFY-P100VKM-E
Электропитание (Напряжение<В>/Частота)	<Гц>	~N/220-230-240/50, 220/60	
Мощность (Охлаждение/Обогрев)	<кВт>	7,1/8,0	11,2/12,5
Габариты (Высота)	<мм>	365	
Габариты (Ширина)	<мм>	1170	
Габариты (Глубина)	<мм>	295	
Масса Нетто	<кг>	22	
Скорость движения воздушного потока в вентиляторе (Низкая-Высокая)	<м³/мин>	16-20	20-25
Уровень шума (Низкая-Высокая)	<дБ>	39-43	41-49

Модель		PLFY-P15VCM-E2	PLFY-P20VCM-E2	PLFY-P25VCM-E2	PLFY-P32VCM-E2	PLFY-P40VCM-E2
Электропитание (Напряжение<В>/Частота)	<Гц>	~N/220-230-240/50				
Мощность (Охлаждение/Обогрев)	<кВт>	1,7/1,9	2,2/2,5	2,8/3,2	3,6/4,0	4,5/5,0
Габариты (Высота)	<мм>	208 (20)				
Габариты (Ширина)	<мм>	570 (650)				
Габариты (Глубина)	<мм>	570 (650)				
Масса Нетто	<кг>	15,5 (3)			17,0 (3)	
Скорость движения воздушного потока в вентиляторе (Низкий-Средний-Высокий)	<м³/мин>	8-8,5-9	8-9-10		8-9-11	
Уровень шума (Низкий-Средний-Высокий)	<дБ>	28-30-31	28-31-35	28-31-37	29-33-38	30-34-39

Модель		PCFY-P40VKM-E	PCFY-P63VKM-E	PCFY-P100VKM-E	PCFY-P125VKM-E
Электропитание (Напряжение<В>/Частота)	<Гц>	~N 220-230-240/50, 220/60			
Мощность (Охлаждение/Обогрев)	<кВт>	4,5/5,0	7,1/8,0	11,2/12,5	14,0/16,0
Габариты (Высота)	<мм>	230			
Габариты (Ширина)	<мм>	960	1280	1600	
Габариты (Глубина)	<мм>	680			
Масса Нетто	<кг>	24	32	36	38
Скорость движения воздушного потока в вентиляторе (Низкий-Средний2-Средний1-Высокий)	<м³/мин>	10-11-12-13	14-15-16-18	21-24-26-28	21-24-27-31
Уровень шума (Низкий-Средний2-Средний1-Высокий)<дБ>		29-32-34-36	31-33-35-37	36-38-41-43	36-39-42-44

*1 Мощность для режимов Охлаждения/Обогрева представляет собой максимальное значение при работе прибора в следующих условиях:

Охлаждение: Температура в помещении 27 °C DB/19 °C WB, Температура снаружи 35 °C DB

Обогрев: Температура в помещении 20 °C DB, Температура снаружи 7 °C DB/6 °C WB

*2 В скобках () указаны показания панели.

1. 安全注意事项.....	202	7. 其它功能.....	211
2. 部件名称.....	203	8. 功能选择.....	212
3. 屏幕设置.....	206	9. 无线遥控器紧急操作.....	216
4. 设定周日期和时间.....	206	10. 保养与清洁.....	216
5. 操作.....	206	11. 故障诊断.....	218
6. 定时器.....	208	12. 规格.....	220

1. 安全注意事项

- ▶ 在安装设备之前，确定您已阅读了所有的“安全注意事项”。
- ▶ “安全注意事项”提供了非常重要的有关安全的要点。请您确保按其执行操作。
- ▶ 在连接到系统上之前，请向供电管理局报告或得到其许可。

备注：
本操作手册中的“有线遥控器”是指 PAR-21MAA。
如果您需要其他遥控器的更多信息，请参考那些盒子中随配的说明书。

⚠ 警告：

- 这些装置不得由一般公众触碰。
- 本机不得由用户安装，请代销商或者一家经三菱授权的公司安装本机。如果本机安装不当，则可能引起漏水、触电或者火灾。
- 切勿站立在本机上或者将任何物品放置在本机上。
- 切勿使水溅在本机上并且不得用湿手碰触本机，否则可能引起触电。
- 切勿在本机附近喷射可燃气体，否则可能引起火灾。
- 切勿将煤气加热器或者任何其它有焰装置放置在暴露于本机排放气体之处，否则会引起不完全燃烧。
- 当室外机组运行时，切勿拆卸其前面板或者风扇罩。
- 用户切勿尝试自行修理或将机组搬往另一地点。
- 当察觉有异常噪音或振荡出现时，请立即停止使用机组，关上电源和联络分销商。
- 切勿将手指或木条等物品插入进气口或出气口中。
- 如嗅到异味，请立即停止机组运作，关上电源并与分销商联络。否则，可能引致机件损毁以及造成触电或火灾。

⚠ 注意：

- 切勿使用任何尖锐物按动按钮，否则可能损坏遥控器。
- 切勿堵塞或者遮盖户内或者室外机组的进气口或者出气口。
- 切勿用苯或其他化学物品擦拭遥控器。
- 禁止开放着门窗，在高湿度状况下作长时间的运转。开冷气时，若在高湿度（80%以上）下作长时间连续运转，空调机可能有冷凝水滴下，浸湿污损室内家具。
- 切勿在运转过程中触摸上部气流叶片或下部排风口风门。否则，可能会形成冷凝水并且本机可能会停止运转。

文中使用的符号

⚠ 警告：

描述了应该遵守的注意事项，以防止对用户造成伤害或死亡的危险。

⚠ 注意：

说明为了防止本机损坏而应该遵循的注意事项。

列举说明中使用的符号

Ⓛ：指示一个必须接地的零件。

- 在没有指导监督的情况下，小孩或体弱之人不能使用本空调机。
- 小心看管小孩，以保证他们不会玩空调机。
- 如果发现致冷气体溢出或泄漏，请立即停止空调机操作，使室内空气彻底流通并联络分销商。
- 本装置不应由肢体、感官或精神上有残疾者，或缺乏经验和知识者（包括儿童）使用，除非负责他们安全的人员就本装置的使用对他们给予监督或指导。
- 安装、重新安置或维修空调机时，仅将指定的制冷剂（R410A）注入制冷剂管。请勿与其他制冷剂混合使用，且制冷剂管内不得留有空气。
如果空气与制冷剂混合，会导致制冷剂管内出现异常高压，从而可能引起爆炸或其他危险。使用非本系统指定的任何其他制冷剂将导致机械故障或系统故障或设备故障。最糟糕时，会严重影响产品的安全性。

本机的处置

当您需要处置本机时，应与您的代销商联系。

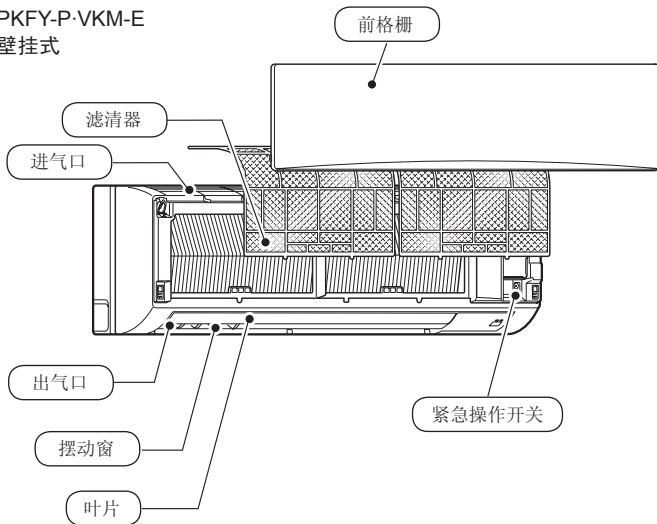
2. 部件名称

■ 室内机组

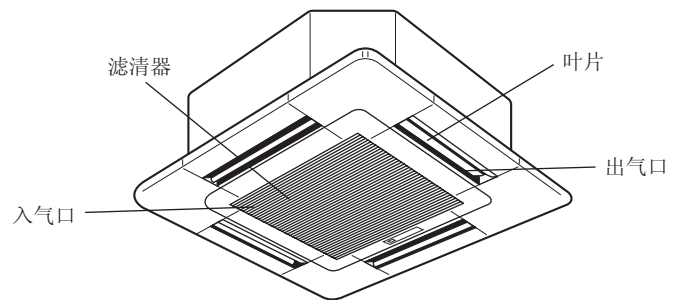
		PKFY-P-VKM-E	PLFY-P-VCM-E2	PCFY-P-VKM-E
风扇速度		2 速型	3 速型	4 速型 + 自动 *
叶片	步级	4 级	4 级	5 级
	自动韵律	○	○	○
摆动窗		手动	—	手动
滤清器		标准	长寿命	长寿命
滤清器清洁指示灯		100 小时	2,500 小时	2,500 小时

* 风速「自动」设定操作，仅在风速「自动」设定有效的遥控器才能进行。

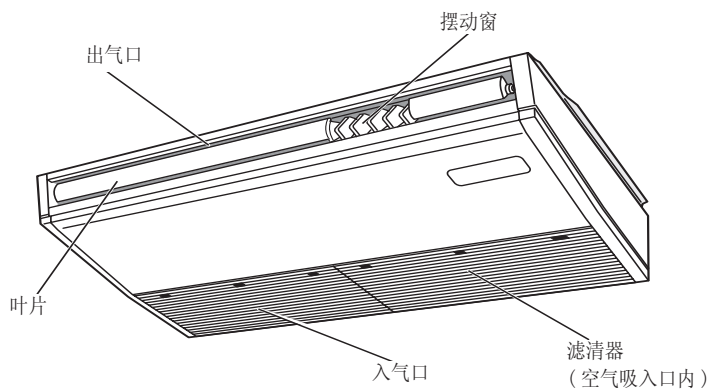
■ PKFY-P-VKM-E 壁挂式



■ PLFY-P-VCM-E2 4 向天花板嵌入式

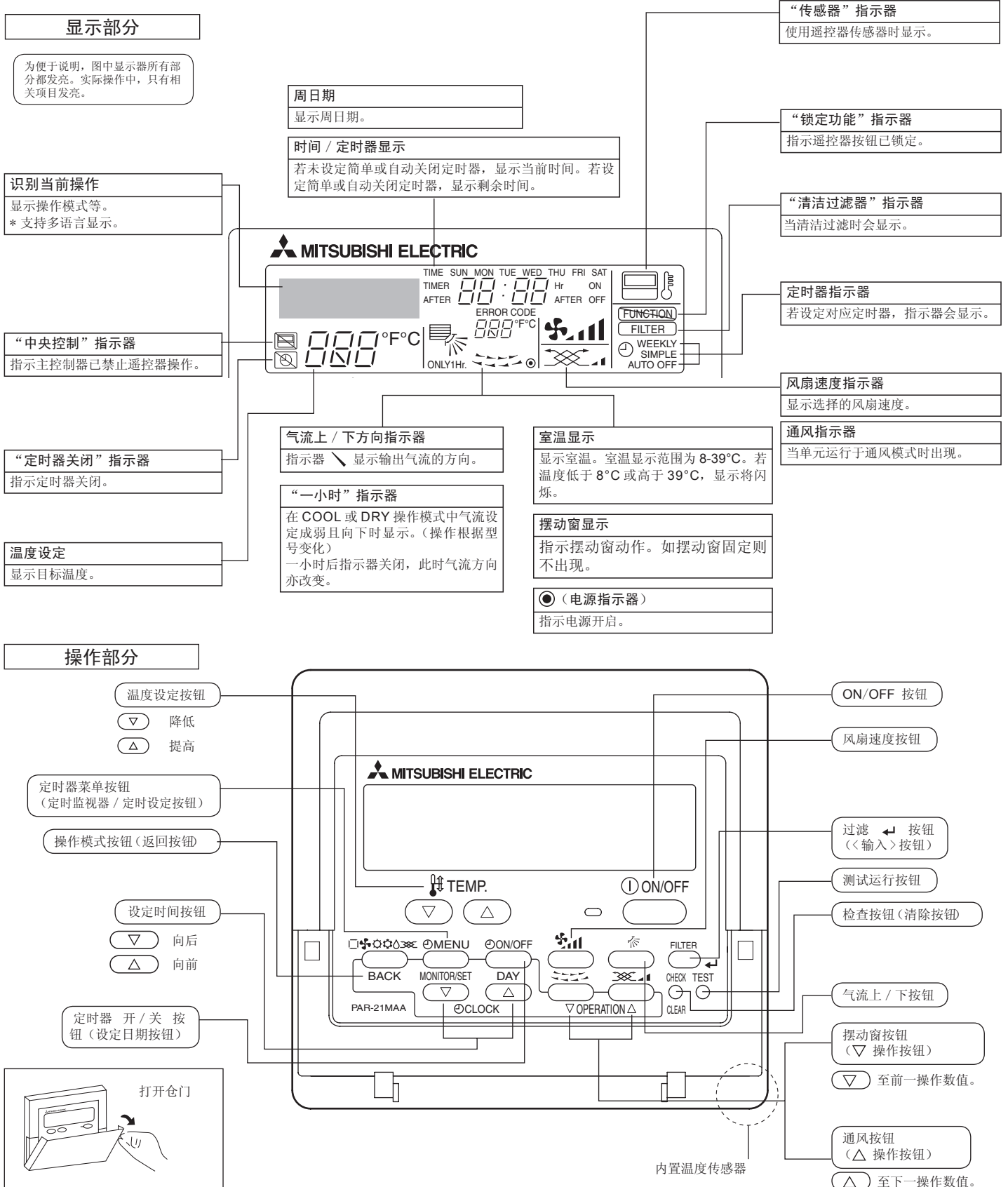


■ PCFY-P-VKM-E 天花板悬吊式



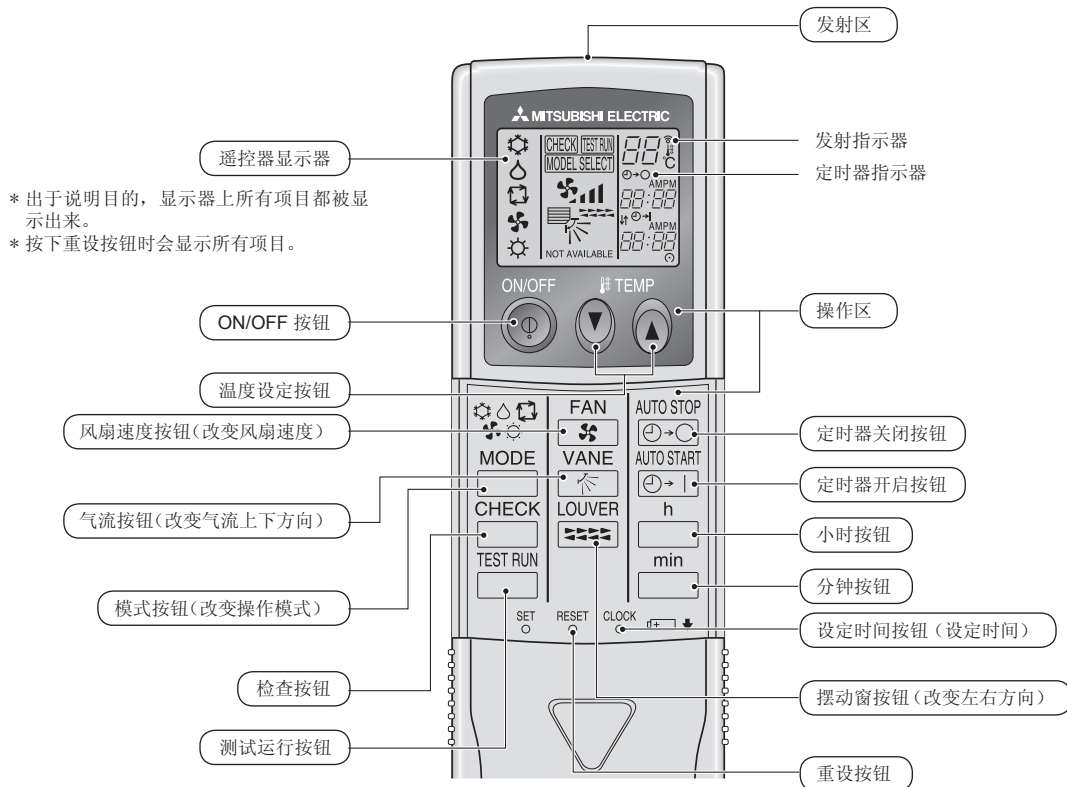
2. 部件名称

■ 有线遥控器 (可选部件)



2. 部件名称

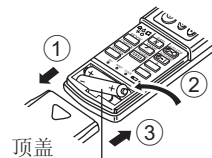
■ 无线遥控器（可选部件）



- 当使用无线遥控器时，将其朝向室内机组上的接收器。
- 若在电力供应至室内机组约 2 分钟后操作遥控器，室内机组会发出“哗哗”声，这是机组在执行初始自动检查。
- 室内机组会发出哔声，以确认遥控器发出的信号已被接收。可接收在机组左右 45 度范围内与离室内机组直线距离最远约 7 米的信号。不过，荧光及强光等照明设备可影响室内机组接收信号的能力。
- 若室内机组接收器旁的操作灯闪烁，则需检查机组。请联系分销商获得服务。
- 请小心处理遥控器！切勿摔落遥控器或接收剧烈冲击。此外，切勿浸湿遥控器或置于高湿度位置。
- 为避免错误放置遥控器，请将遥控器附带的固定器安装于墙壁上，并确定使用后始终将遥控器置于固定器内。

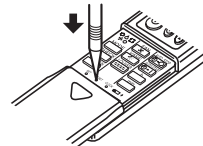
电池安装 / 更换

1. 拆下顶盖，插入两节 AAA 电池，再装上顶盖。



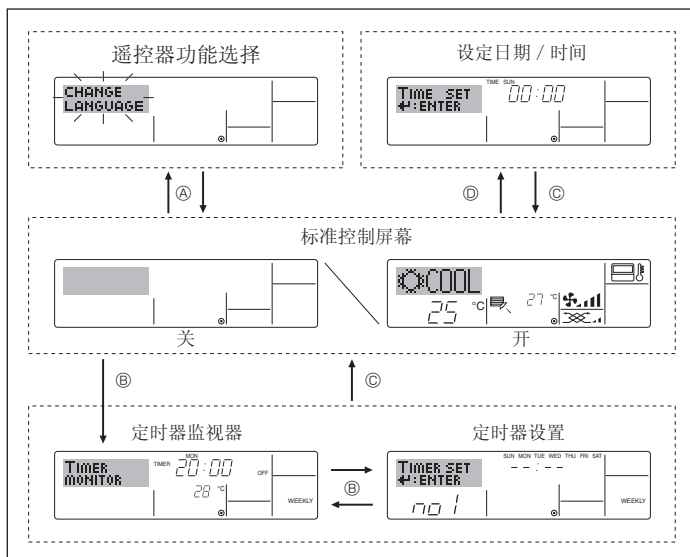
两节 AAA 电池先插入每节电池的负 (-) 极。请以正确方向安装电池 (+, -) !

2. 按下重置按钮。



用有窄端的物体按下重置按钮。

3. 屏幕设置



< 屏幕类型 >

利用遥控器的选择功能可将显示语言改变为中文。关于改变语言设置，请参考第 8 部分。

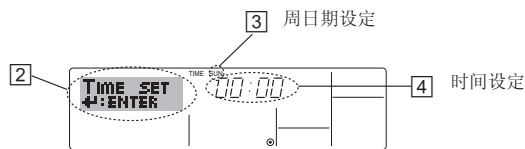
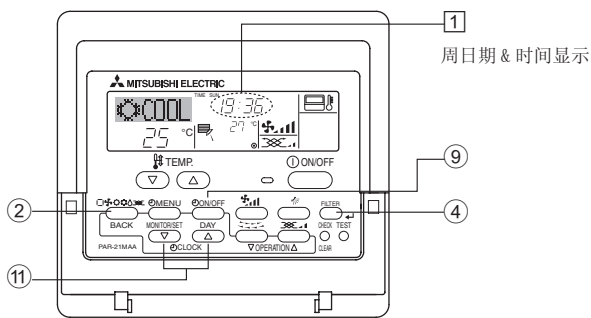
初始设置为英语。

- 遥控器功能选择：设定遥控器可用的功能和范围（定时器功能、操作限制等）。
- 设定日期/时间：设定当前周日期或时间。
- 标准控制屏幕：察看并设定空调系统操作状态。
- 定时器监视器：察看目前设定的定时器（每周定时器、简单定时器或自动关闭定时器）。
- 定时器设置：设定任一定时器的操作（每周定时器、简单定时器或自动关闭定时器）。

< 如何改变屏幕 >

- ①：同时按下操作模式按钮和定时器开/关按钮 2 秒钟。
- ②：按下定时器菜单按钮。
- ③：按下操作模式（返回）按钮。
- ④：按下设定时间按钮（▽ 或 △）。

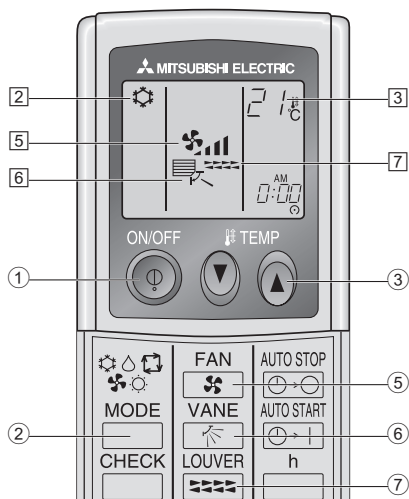
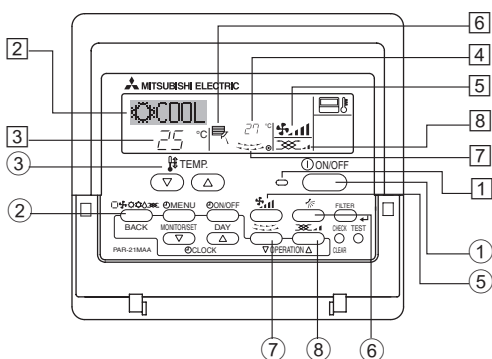
4. 设定周日期和时间



- 按下 ▽ 或 △ 设定时间按钮 ② 显示 ②。
- 按下定时器开/关（设定日期）按钮 ⑨ 设定日期。
*每按一下，显示的日期前进一天 ③: Sun → Mon → ... → Fri → Sat。
- 视需要按下适当设定时间按钮 ⑪ 来设定时间。
*按下按钮时，时间（位于 ④）将先按分钟间隔递增，接着按十分钟间隔递增，然后按一小时间隔递增。
- 在步骤 2 和 3 完成适当设定后，按下过滤 ← 按钮 ④ 锁定设定值。

注意：
如在遥控器功能选择上停用时钟功能，则日期和时间不会出现。

5. 操作



5.1. 开启 / 关闭

< 启动操作 >

- 按下 ON/OFF 按钮 ①。
- ON 灯 ② 和显示区变亮。

注意：

- 当重新启动机器时，初始设定如下。

	遥控器设定		
模式	最后操作模式		
温度设定	最后设定温度		
风扇速度	最后设定风扇速度		
气流上 / 下	模式	COOL 或 DRY	最后设定
		HEAT	最后设定
		FAN	最后设定

< 停止操作 >

- 再次按下 ON/OFF 按钮 ①。
- ON 灯 ② 和显示区变暗。

注意：

即使在停止运行之后立即按下 ON/OFF（打开 / 关闭）按钮，空调机在大约三分钟之内也不会启动，这样可以防止内部零件发生损坏。

5. 操作

< 停止操作 >

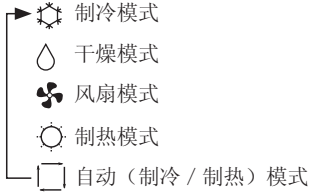
- 再次按下 ON/OFF 按钮 ①。
- ON 灯 ② 和显示区变暗。

注意：

即使您在停止运行之后立即按下 ON/OFF (打开 / 关闭) 按钮，空调机在大约三分钟之内也不会启动，这样可以防止内部零件发生损坏。

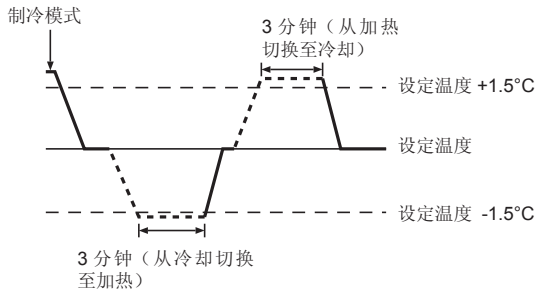
5.2. 操作模式选择

- 按操作模式 (□) 按钮 ②，并且选择操作模式 ③。



自动操作

- 根据设定温度，若室温过高则冷却操作开始，若室温过低则加热操作开始。
- 自动操作过程中，若室温改变并高于设定温度 1.5°C 或更多达 3 分钟，空调器会切换至制冷模式。同样，若室温改变并低于设定温度 1.5°C 或更多达 3 分钟，空调器会切换至制热模式。



- 由于室温自动调整以便保持固定有效温度，到达设定温度后，冷却操作执行至比设定室温高几度，加热操作执行至比设定室温低几度（自动节能操作）。

5.3. 温度设定

▶ 若要降低室温：

- 按下 按钮 ③，设定理想温度。
- 显示选取的温度 ④。

▶ 若要增大室温：

- 按下 按钮 ③，设定理想温度。
- 显示选取的温度 ④。

- 可提供下列温度范围：
 - 制冷和干燥：19 - 30 °C
 - 制热：17 - 28 °C
 - 自动：19 - 28 °C
- 闪烁显示 8°C 或者 39°C，即通知您室温低于或高于显示的温度。

5.4. 风扇速度设定

- 系统运行时请尽可能多次按下风扇速度按钮 ⑤。
- 每按一次力量改变一级。当前选择速度显示于 ⑥。
- 改变顺序及可用设定如下。

风扇速度	显示
2 速型	速度 1 → → 速度 2 →
3 速型	速度 1 → → 速度 2 → → 速度 3 →
4 速型 + 自动*	速度 1 → → 速度 2 → → 速度 3 → → 速度 4 → → 自动 →

- * 仅 MA 遥控器有效。对无线遥控器的情况，需要将「自动」风速设定功能设置为有效。

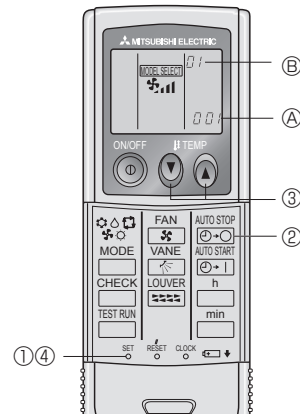
注意：

- 可用风扇速度数量取决于连接单元的类型。请注意某些单元不提供“自动”设定。
- 以下情况中，单元的风扇速度不同于遥控器显示器上显示的速度。
 - 显示器显示“STAND BY”或“DEFROST”时。
 - 在加热模式中当热交换器的温度较低时（例如，加热操作刚启动不久）。
 - 加热模式中，室温高于温度设定时。
 - 单元处于干燥模式时

■ 风扇速度自动设定（针对无线遥控器）

只有在自动风扇速度未设为默认设定时，才需要对无线遥控器进行设定。自动风扇速度为默认设定时，不必对有线遥控器进行设定。

- 用端部尖锐的工具按下 SET 按钮。当遥控器显示器关闭时进行操作。
 闪烁，型号指示灯亮为 ④。
- 按下 AUTO STOP 按钮。
 闪烁且设定号亮为 ⑤。
(设定号 01：无自动风扇速度)
- 按下温度 按钮设定设定号 02。
(设定号 02：有自动风扇速度)
如果不慎操作错了，按下 ON/OFF 按钮，再从步骤 ② 开始。
- 用端部尖锐的工具按下 SET 按钮。
 和型号指示灯亮 3 秒钟，然后熄灭。

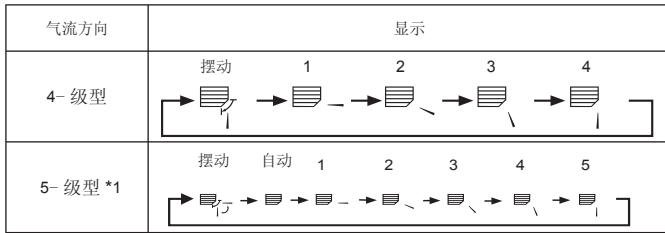


5. 操作

5.5. 气流上 / 下方向设定

< 改变气流上 / 下方向 >

- 单元运行时，视需要按下气流上 / 下按钮 ⑩。
- 每按一次，方向改变一次。当前方向显示于 ⑧。
- 改变顺序和可用设定如下。



- * 注意在摆动操作中，屏幕上的方向指示不会与单元上的方向标同步改变。
- * 某些型号不支持方向设定。
- *1 仅对于 MA 遥控器，其他遥控器显示的与 4 级模型相同。
- *2 气流方向设定 < 自动 >
COOL/FAN/DRY: 设定 1(水平), HEAT: 设定 5(向下 5)

注意:

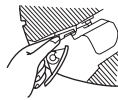
- 可用方向取决于连接单元的类型。应注意某些单元不提供“自动”设定。
- 以下情形中，实际气流方向不同于遥控器显示器上指示的方向。
 1. 显示器显示“STAND BY”或“DEFROST”时。
 2. 刚启动加热模式后（系统等待操作模式改变生效时）。
 3. 加热模式中，当室温高于温度设定时。

< [手动] 改变气流左 / 右方向 >

* 摆动窗按钮 ⑦ 不能使用。

■ 型号 PKFY-P-VKM-E

- 停止机器运作，握住叶片的杆子，并调整到所需方向。
- * 当机器在制冷或干燥模式时切勿设为内部方向，否则会有结露和滴水的隐患。



⚠ 注意:

为防止掉落，操作机器时保持立稳。

5.6. 通风

▶ 关于 LOSSNAY 组合

5.6.1. 关于有线遥控器

- 要与室内单元一起运行通风:
 - 按下 ON/OFF 按钮 ①。
 - 通风孔指示出现于屏幕上 (⑧)。室内单元运行时通风器自动工作。
- 要仅在室内单元关闭时运行通风器:
 - 室内单元关闭时按下通风按钮 ⑩。
 - ON 灯 ⑧ 及通风孔指示 ⑧ 变亮。
- 要改变通风器力度:
 - 视需要按下通风按钮 ⑩。
 - 每按一下如下触发设定。



注意:

- 某些型号设置中，及时将通风器设定成独立运行时，室内单元风扇也会启动。

6. 定时器

6.1. 对于有线遥控器

可使用遥控器的功能选择使用哪个定时器: ① 每周定时器, ② 简单定时器, 或 ③ 自动关闭定时器。

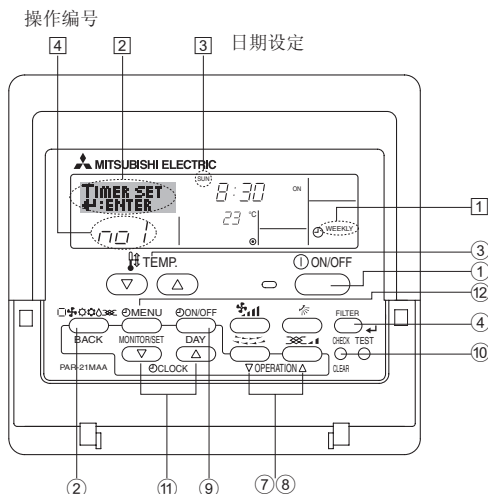
6.1.1. 每周定时器

- 每周定时器可为一周内每天设定最高八个操作。
 - 每个操作可由任何以下项组成: 开 / 时间以及温度设定, 或者仅开 / 关时间、或仅温度设定。
 - 当前时间到达此定时器的时间设定时, 空调器执行定时器设定的工作。
- 定时器时间设定间隔为 1 分钟。

注意:

- *1. 每周定时器 / 简单定时器 / 自动关闭定时器无法同时使用。
- *2. 以下任何条件生效时每周定时器不会工作。

定时器功能关闭: 系统处于故障状态; 正在进行试运行; 遥控器正在进行自检或遥控器检查; 用户正在设置一项功能; 用户正在设置定时器; 用户正在设置周的当前日期或时间; 系统处于中央控制下。(明确地说, 在这些情况下, 系统不会执行被禁止的操作 (设备开、设备关或者温度设置))。



< 如何设定每周定时器 >

1. 确定使用的是标准控制屏幕, 并且显示器上显示每周定时器指示器 ⑩。
 2. 按下定时器菜单按钮 ⑩, 以便“Set Up”出现于屏幕上 (②)。(注意每按一下按钮触发“Set Up”与“Monitor”之间的显示)
 3. 按下定时器开 / 关 (设定日期) 按钮 ⑨ 设定日期。每按一下 ⑨ 处的显示按以下顺序前进至下一设定: “Sun Mon Tues Wed Thurs Fri Sat” → “Sun” → ... → “Fri” → “Sat” → “Sun Mon Tues Wed Thurs Fri Sat”...
 4. 视需要按下 ▽ 或 △ 操作按钮 (⑦ 或 ⑧) 选择适当操作编号 (1 至 8) ④。
- * 步骤 3 和 4 的输入将从以下说明的矩阵中选择一个单元 (遥控器显示器左边显示星期日操作 1 设定为以下值时显示如何出现。)

设置矩阵

选项.	星期日	星期一	...	星期六
No. 1	• 8:30 • ON • 23°C			
No. 2	• 10:00 • OFF	• 10:00 • OFF	• 10:00 • OFF	• 10:00 • OFF
...				
No. 8				

< 操作 1 星期日设定 >
8:30 启动空调, 温度设定为 23°C。

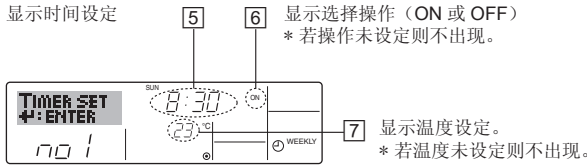
< 操作 2 每天设定 >
于 10:00 关闭空调。

注意:

通过设定日期“Sun Mon Tues Wed Thurs Fri Sat”, 可以将相同操作设定成在每天相同时间执行。(范例: 以上操作 2, 一周内每天都相同。)

6. 定时器

< 设定每周定时器 >



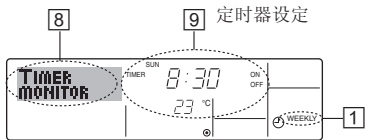
- 视需要按下适当设定时间按钮 ⑤，设定需要时间 (⑤)。
* 按下按钮时，时间首先以分钟间隔递增，接着以十分钟间隔递增，然后以一小时间隔递增。
- 按下 ON 或 OFF 按钮 ⑥ 以选择需要操作 (ON 或 OFF) 于 ⑥。
* 每按一下依以下顺序改变至下一设定：无显示 (无设定) → “ON” → “OFF”
- 按下适当设定温度按钮 ⑦ 设定需要温度 (⑦)。
* 每按一下依以下顺序改变设定：无显示 (无设定) ⇔ 24 ⇔ 25 ⇔ ... ⇔ 29 ⇔ 30 ⇔ 12 ⇔ ... ⇔ 23 ⇔ 无显示。
(可用范围：设定范围从 12°C 至 30°C。但是可控制温度的实际范围根据连接单元的类型变化)。
- 在步骤 5、6 和 7 设定完成后，按下过滤 ◀ 按钮 ④，锁定数值。要清除选择操作的当前设定值，按下并迅速放开检查 (清除) 按钮 ⑩。
* 显示时间设定将改变至 “—:—” 开 / 关和温度设定将全部消失。(要立刻清除全部每周定时器，按下检查 (清除) 按钮 ⑩ 至少 2 秒。显示器会开始闪烁，指示所有设定已清除。)

注意：

按下过滤 ◀ 按钮 ④ 前，若按下操作模式 (返回) 按钮 ②，新输入会取消。若同时已设定两个或多个不同操作，只执行具有最高操作编号的操作。

- 视需要重复步骤 3 至 8，填充任何需要数量的可用单元。
- 按下操作模式 (返回) 按钮 ② 返回标准控制屏幕，完成设定程序。
- 要启动定时器，按下定时器开 / 关按钮 ⑨，以便 “Timer Off” 指示从屏幕消失。确定 “Timer Off” 指示不再显示。
* 若无定时器设定，“Timer Off” 指示会在屏幕上闪烁。

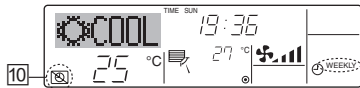
< 如何检视每周定时器设定 >



- 确定每周定时器指示器在屏幕上可见 (①)。
- 按下定时器菜单按钮 ② 以便屏幕 (③) 上指示 “Monitor”。
- 视需要按下定时器开 / 关 (设定日期) 按钮 ⑨ 选择想要察看的日期。
- 视需要按下 ▽ 或 ▲ 操作按钮 (⑦ 或 ⑧) 改变显示器上显示的定时器操作 (⑨)。
* 每按一下以时间设定顺序前进至下一定时器操作。
- 要关闭监视器并返回标准控制屏幕，按下操作模式 (返回) 按钮 ②。

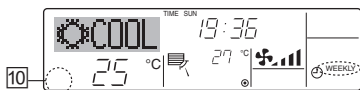
< 要关闭每周定时器 >

按下定时器开 / 关按钮 ⑨ 以便 (⑩) 出现 “Timer Off”。



< 要开启每周定时器 >

按下定时器开关按钮 ⑨ 使 “Timer Off” 指示 (⑩) 变暗。



6.1.2. 简单定时器

■ 可以三种方式的任何一种设定简单定时器。

- 只设定启动时间：
设定时间过去后空调启动。
- 只设定停止时间：
设定时间过去后空调停止。
- 设定启动 & 停止时间：
空调分别在一定时间后启动和停止。

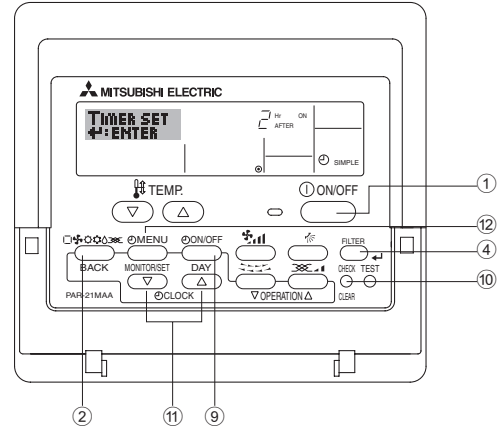
■ 简单定时器 (启动和停止) 72 小时内只能设定一次。时间设定以小时递增。

注意：

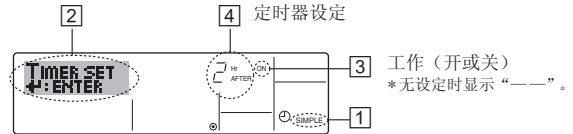
*1. 每周定时器 / 简单定时器 / 自动关闭定时器无法同时使用。

*2. 任一以下条件生效时简单定时器无法操作。

定时器关闭：系统处于故障状态；测试运行正在进行；遥控器正在进行自检或遥控器检查，使用者正在选择功能；使用者正在设定定时器，系统处于中央控制下。(这些条件下，开 / 关操作被禁止。)



< 如何设定简单定时器 >

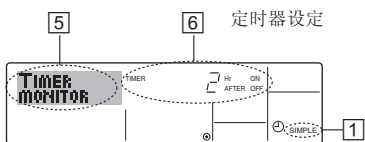


- 确定正在标准控制屏幕，显示器 (①) 上可见简单定时器指示器。当所显示的不是 “简单定时” 时，请使用遥控器 (参阅 8. [4]-3 (3)) 定时器功能设置的功能选择设置它为 “简单定时”。
 - 按下定时器菜单按钮 ②，以便屏幕上出现 “Set Up” (③)。(注意每按一下按钮，显示在 “Set Up” 与 “Monitor” 之间切换一次。)
 - 按下开关按钮 ① 显示当前开或关简单定时器设定。按一下按钮，显示开启剩余时间，然后再按一下显示关闭剩余时间。(ON/OFF 指示出现于 ③)。
* “ON” 定时器：
空调在指定小时数过去后启动操作。
* “OFF” 定时器：
空调在指定小时数过去后停止操作。
 - 当 “ON” 或 “OFF” 显示于 ③：视需要按下适当设定时间按钮 ④ 在 ④ 处设定开启小时 (如显示 “ON”) 或设定关闭小时 (如显示 “OFF”)。
* 可用范围：1 至 72 小时
 - 要设定开关时间两项，请重复步骤 3 和 4。
* 注意开关时间无法设定为相同值。
 - 要清除当前开或关设定：显示开或关设定 (参见步骤 3) 并按下检查 (清除) 按钮 ⑩ 以便 ④ 的时间设定清除为 “—”。(如只想使用开设定或只使用关设定，确定不想要的设定显示为 “—”。)
 - 完成以上步骤 3 至 6 后，按下过滤 ◀ 按钮 ④。
- 注意：
如在按下过滤 ◀ 按钮 ④ 前，按下操作模式 (返回) 按钮 ②，新设定将取消。

- 按下操作模式 (返回) 按钮 ②，返回标准控制屏幕。
- 按下定时器开 / 关按钮 ⑨，启动定时器倒计时。当定时器运行时，显示器上可见定时器值。确定定时器值可见且正确。

6. 定时器

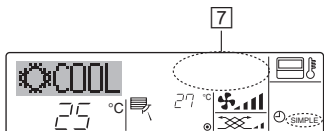
< 察看当前简单定时器设定 >



1. 确定简单定时器指示器在屏幕 (1) 上可见。
2. 按下定时器菜单按钮 (2)，以便屏幕 (5) 上出现“Monitor”。
 - 如运行开或关简单定时器，当前定时器值将显示于 (6)。
 - 如开及关值都已设定，两个值交替出现。
3. 按下操作模式 (返回) 按钮 (2)，关闭监视器显示并返回标准控制屏幕。

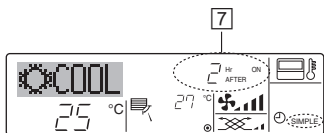
< 要关闭简单定时器... >

按下定时器开 / 关按钮 (3) 以便屏幕 (7) 上不再出现定时器设定。



< 要开启简单定时器... >

按下定时器开 / 关按钮 (3)，以便 (7) 处可见定时器设定。

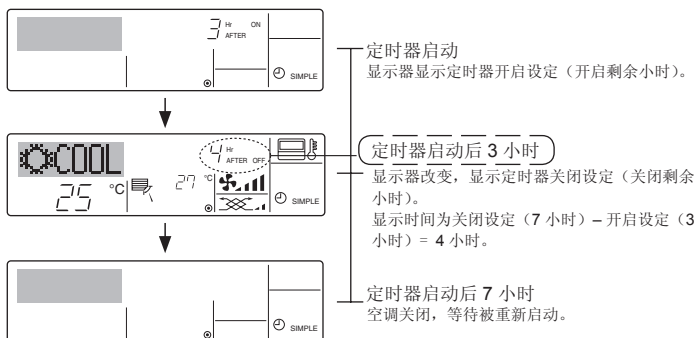


范例

如已在简单定时器处设定开及关时间，操作及显示如下。

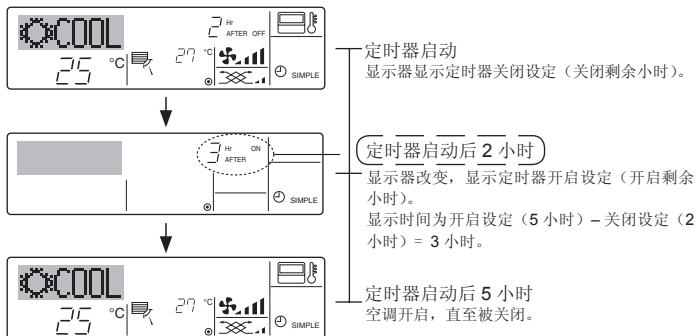
范例 1:

- 启动定时器，开启时间设定得比关闭时间快
- 开启时间：3 小时
- 关闭时间：7 小时



范例 2:

- 启动定时器，关闭时间设定得比开启时间快
- 开启时间：5 小时
- 关闭时间：2 小时

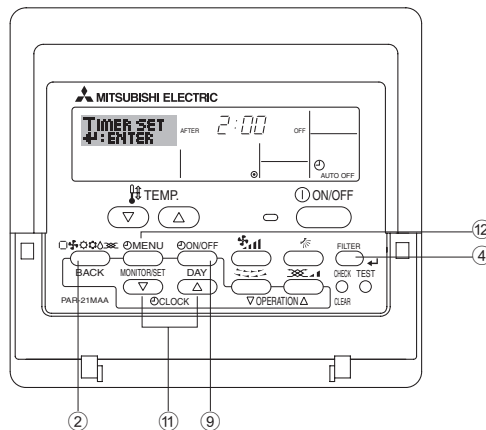


6.1.3. 自动关闭定时器

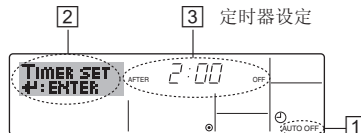
- 当空调启动时此定时器开始倒计时，当设定时间已过去后关闭空调。
- 可用设定从 30 分钟至 4 小时，间隔为 30 分钟。

注意:

- *1. 每周定时器 / 简单定时器 / 自动关闭定时器无法同时使用。
- *2. 当任一以下条件生效时自动关闭定时器无法操作。
定时器关闭：系统处于故障状态；测试运行正在进行；遥控器正在进行自检或遥控器检查；使用者正在选择功能；使用者正在设定定时器；系统处于中央控制下。
(这些条件下，开 / 关操作被禁止。)



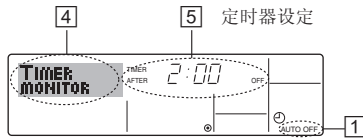
< 如何设定自动关闭定时器 >



1. 确定在标准控制屏幕下，显示器可见自动关闭定时器指示器 (1)。
当所显示的不是“自动关机定时”时，请使用遥控器 (参阅 8. [4]-3 (3)) 定时器功能设置的功能选择设置它为“自动关机定时”。
 2. 按住定时器菜单按钮 (2) 3 秒钟，以便屏幕 (2) 上出现“Set Up”。
(注意每按一下按钮显示在“Set Up”与“Monitor”间切换一次)。
 3. 视需要按下适当设定时间按钮 (11)，设定关闭时间于 (3)。
 4. 按下过滤 (4) 按钮 (4) 锁定设定。
- 注意:
如在按下过滤 (4) 按钮 (4) 前按下操作模式 (返回) 按钮 (2)，输入会被取消。
5. 按下操作模式 (返回) 按钮 (2)，完成设定程序并返回标准控制屏幕。
 6. 如空调已运行，定时器立即启动倒计时。确定显示器上正确出现定时器设定。

6. 定时器

< 检查当前自动关闭定时器设定 >



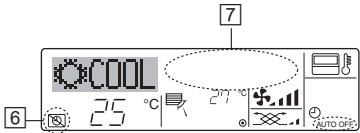
1. 确定屏幕 (1) 上可见 “Auto Off”。
2. 按住定时器菜单按钮 (2) 3 秒钟，以便屏幕 (4) 上指示 “Monitor”。

 - 定时器关闭时间出现于 (5)。

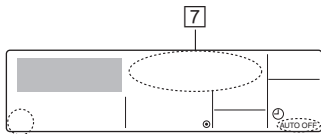
3. 要关闭监视器并返回标准控制屏幕，按下操作模式 (返回) 按钮 (2)。

< 关闭自动关闭定时器... >

- 按住定时器开 / 关按钮 (9) 3 秒钟，以便 “Timer Off” 出现于 (6)，且定时器值 (7) 消失。

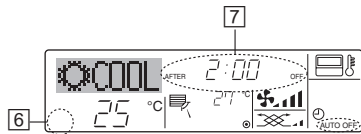


- 或者关闭空调本身。定时器值 (7) 将从屏幕消失。

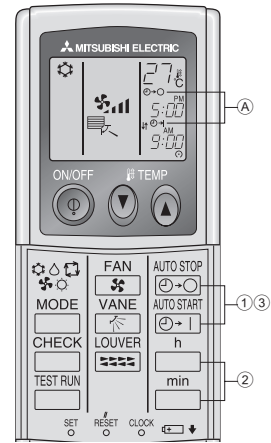


< 开启和关闭定时器... >

- 按住定时器开 / 关按钮 (9) 3 秒钟，以便 “Timer Off” (6) 消失且显示器 (7) 上出现定时器设定。
- 或者，开启空调。(7) 出现定时器值。



6.2. 对于无线遥控器



- ① 按 (1) 或 (2) 按钮 (定时器设定)。
- 当如下符号闪烁时，可以设定时间。
OFF (关闭) 定时器: (A) (1)-(2) 闪烁。
ON (打开) 定时器: (A) (2)-(1) 闪烁。
 - ② 使用 (h) 和 (min) 按钮设定希望的时间。
 - ③ 取消定时器。
如果想取消 OFF (关闭) 定时器，按 (1) 按钮。
如果想取消 ON (打开) 定时器，按 (2) 按钮。
 - 可以结合使用 OFF (关闭) 和 ON (打开) 定时器。
 - 在定时器模式中按遥控器的 (3) ON/OFF (打开 / 关闭) 按钮停止设备，可以取消定时器。
 - 如果未设定当前时间，将不能使用定时器操作。

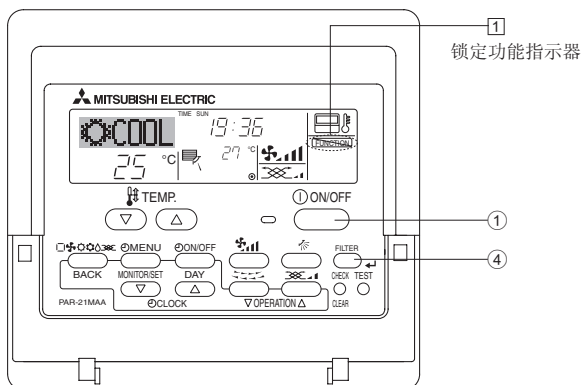
7. 其它功能

7.1. 锁定遥控器按钮 (操作功能限制控制器)

- 如果您愿意，您可以锁定遥控器按钮。您可以使用遥控器的“功能选择”选择使用哪种类型的锁定功能。(有关锁定类型选择的信息，请参见第 8 部分项目 [4]-2 (1))。
- 明确地说，可试用以下两种类型的锁定功能。

- ① 锁定全部按钮：锁定遥控器上的所有按钮。
- ② 锁定除 ON/OFF 外的全部按钮：锁定除开 / 关按钮外的所有按钮。

注意：
屏幕上出现锁定功能指示器，指示目前按钮锁定。



< 如何锁定按钮 >

1. 按住过滤按钮 (4) 时，按下并按住 ON/OFF 按钮 (1) 2 秒钟。屏幕 (1) 上出现 “锁定功能” 指示，表示锁定功能正在使用中。
- * 如遥控器的功能选择已停用锁定，如上所述按下按钮时屏幕会显示 “Not Available” 信息。



- 若按下锁定按钮，“锁定功能” 指示 (1) 会在显示器上闪烁。



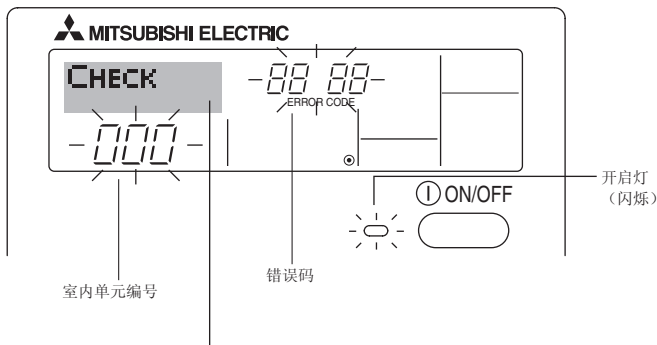
< 如何解锁按钮 >

1. 按住过滤按钮 (4) 时，按下并按住 ON/OFF 按钮 (1) 2 秒钟，“锁定功能” 指示即从屏幕 (1) 上消失。



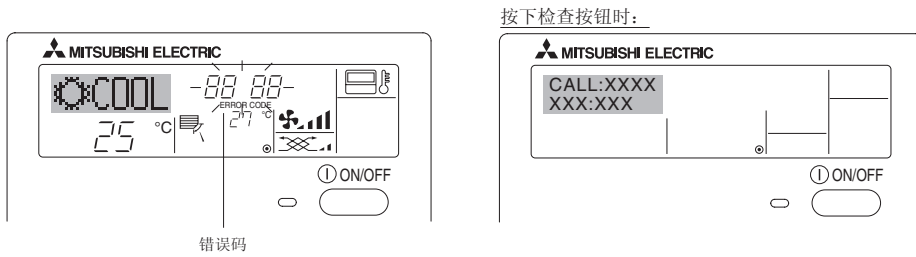
7. 其它功能

7.2. 错误码指示



如在故障时已输入需要呼叫的联络编号，屏幕会显示此编号。（可在遥控器的功能选择下设定。有关信息请参考第 8 部分）。

- 如开启灯和错误码同时闪烁：指示空调出现异常，操作已停止（且无法恢复）。注意指示的单元编号和错误码，然后关闭空调电源，联系经销商或服务商。



- 如仅闪烁错误码（开启灯发亮时）：操作继续，但系统可能有故障。此时应记下错误码，然后联系经销商或服务商获取建议。
- * 如在故障时已输入需要呼叫的联络编号，按下检查按钮，屏幕会显示此编号。（可在遥控器的功能选择下设定。有关信息请参考第 8 部分。）

8. 功能选择

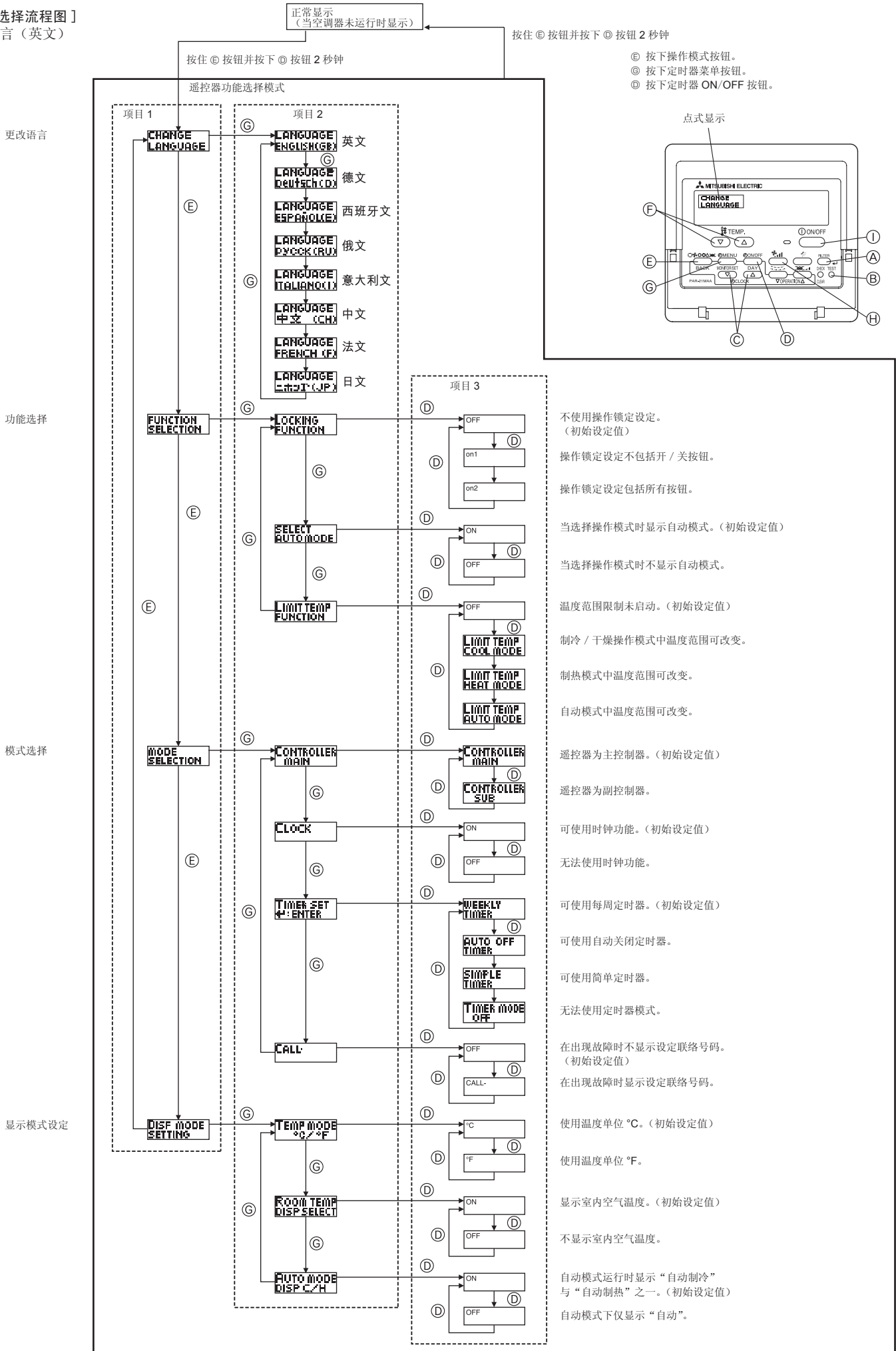
遥控器的功能选择

您可以使用遥控器的功能选择模式更改以下的遥控器功能设定。有需要时请更改设定。

项目 1	项目 2	项目 3 (设定内容)
1. 更改语言 ("CHANGE LANGUAGE")	显示语言设定	<ul style="list-style-type: none"> • 可显示多种语言
2. 功能限制 ("FUNCTION SELECTION")	(1) 操作功能限制设定 (操作锁定) ("操作限制")	<ul style="list-style-type: none"> • 设定操作限制范围 (操作锁定功能)
	(2) 使用自动模式设定 ("自动模式")	<ul style="list-style-type: none"> • 设定使用或不使用 "自动" 操作模式
	(3) 温度范围限制设定 ("温度限制")	<ul style="list-style-type: none"> • 设定温度调校范围 (最大、最小)
3. 模式选择 ("MODE SELECTION")	(1) 遥控器主 / 副设定 ("遥控 主 / 副")	<ul style="list-style-type: none"> • 选择主遥控器或副遥控器 * 将两个遥控器连接至一组机组时，必须将其中一个遥控器设定为副遥控器。
	(2) 使用时钟设定 ("时钟")	<ul style="list-style-type: none"> • 设定使用或不使用时钟功能
	(3) 定时器功能设定 ("每周定时器")	<ul style="list-style-type: none"> • 设定定时器类型
	(4) 出现故障时的联络号码设定 ("CALL . .")	<ul style="list-style-type: none"> • 在出现故障时显示联络号码 • 设定电话号码
4. 转换显示 ("DISP MODE SETTING")	(1) 温度显示 °C/°F 设定 ("温度 °C/°F")	<ul style="list-style-type: none"> • 设定要显示的温度单位 (°C 或 °F)
	(2) 吸入空气温度显示设定 ("吸入温度")	<ul style="list-style-type: none"> • 设定使用或不使用室内 (吸入) 空气温度显示
	(3) 自动制冷 / 制热显示设定 ("自动表示")	<ul style="list-style-type: none"> • 设定在自动模式操作期间，使用或不使用 "制冷" 或 "制热" 显示

8. 功能选择

[功能选择流程图]
设定语言 (英文)



8. 功能选择

[详细设定]

[4]-1. CHANGE LANGUAGE (更改语言) 设定

可以选择点式显示所使用的语言。

- 按下 [⊖ MENU] ⊕ 按钮更改语言。
 - ① 英文 (GB), ② 德文 (D), ③ 西班牙文 (E), ④ 俄文 (RU), ⑤ 意大利文 (I), ⑥ 中文 (CH), ⑦ 法文 (F), ⑧ 日文 (JP)

[4]-2. 功能限制

(1) 操作功能限制设定 (操作锁定功能)

- 如要切换设定, 按下 [⊖ ON/OFF] ⊕ 按钮。
 - ① no1: 除了 [⊖ ON/OFF] 按钮之外, 其他按钮都可用来设定操作锁定。
 - ② no2: 所有按钮都可设定操作锁定。
 - ③ OFF (初始设定值): 没有设定操作锁定。
- * 如要在正常画面上显示操作锁定设定, 进行以上设定后, 必须在正常画面上按下按钮 (同时按下并按住 [FILTER] 和 [⊖ ON/OFF] 按钮 2 秒钟)。

(2) 使用自动模式设定

将遥控器连接至具有自动操作模式的机组后, 可进行以下设定。

- 如要切换设定, 按下 [⊖ ON/OFF] ⊕ 按钮。
 - ① ON (初始设定值): 选择操作模式时会显示自动模式。
 - ② OFF: 选择操作模式时不会显示自动模式。

(3) 温度范围限制设定

完成此设定后, 可以在设定的范围内更改温度。

- 如要切换设定, 按下 [⊖ ON/OFF] ⊕ 按钮。
 - ① 制冷范围: 可以更改制冷 / 干燥模式的温度范围。
 - ② 制热范围: 可以更改制热模式的温度范围。
 - ③ 自动范围: 可以更改自动模式的温度范围。
 - ④ OFF (初始设定): 没有启动温度范围限制。
- * 完成设定 (OFF 设定除外) 后, 会同时设定制冷、制热和自动模式的温度范围限制设定。可是, 如没有改变所设定的温度范围, 则无法限制温度范围。
- 如要提高或降低温度, 按下 [TEMP. (▽) 或 (△)] ⊕ 按钮。
- 如要切换上限设定和下限设定, 按下 [TEMP. (▽) 或 (△)] ⊕ 按钮。选择的设定会闪烁, 然后可设定温度。
- 可设定的范围

制冷 / 干燥模式:	下限: 19°C 至 30°C	上限: 30°C 至 19°C
制热模式:	下限: 17°C 至 28°C	上限: 28°C 至 17°C
自动模式:	下限: 19°C 至 28°C	上限: 28°C 至 19°C

[4]-3. 操作模式选择设定

(1) 遥控器主 / 副设定

- 如要切换设定, 按下 [⊖ ON/OFF] ⊕ 按钮。
 - ① 主: 遥控器会被设定为主遥控器。
 - ② 副: 遥控器会被设定为副遥控器。

(2) 使用时钟设定

- 如要切换设定, 按下 [⊖ ON/OFF] ⊕ 按钮。
 - ① ON: 可以使用时钟设定。
 - ② OFF: 无法使用时钟设定。

(3) 定时器功能设定

- 如要切换设定, 按下 [⊖ ON/OFF] D 按钮。(选择以下其中一个设定)。
 - ① 每周定时器 (初始设定值): 可以使用每周定时器。
 - ② 解除定时器: 可以使用解除定时器。
 - ③ 简单定时器: 可以使用简单定时器。
 - ④ 定时器无效: 无法使用定时器模式。
- * 使用 OFF 时钟设定时, 无法使用“每周定时器”。

(4) 出现故障时的联络号码设定

- 如要切换设定, 按下 [⊖ ON/OFF] ⊕ 按钮。
 - ① CALL OFF: 如出现故障, 不会显示所设定的联络号码。
 - ② CALL **** * * * * *: 如出现故障, 会显示所设定的联络号码。
CALL: 出现左侧显示时可设定联络号码。
- 设定联络号码
如要设定联络号码, 请遵照以下程序。移动闪烁的游标以设定号码。按下 [TEMP. (▽) 和 (△)] ⊕ 按钮向右 (左) 移动游标。按下 [CLOCK (▽) 和 (△)] ⊕ 按钮设定号码。

[4]-4. 转换显示设定

(1) 温度显示 °C/°F 设定

- 如要切换设定, 按下 [⊖ ON/OFF] ⊕ 按钮。
 - ① °C: 使用温度单位 °C。
 - ② °F: 使用温度单位 °F。

(2) 吸入空气温度显示设定

- 如要切换设定, 按下 [⊖ ON/OFF] ⊕ 按钮。
 - ① ON: 显示吸入空气温度。
 - ② OFF: 不会显示吸入空气温度。

(3) 自动制冷 / 制热显示设定

- 如要切换设定, 按下 [⊖ ON/OFF] ⊕ 按钮。
 - ① ON: 在自动模式运行时, 会显示“自动制冷”或“自动制热”。
 - ② OFF: 在自动模式下, 只会显示“自动”。

8. 功能选择

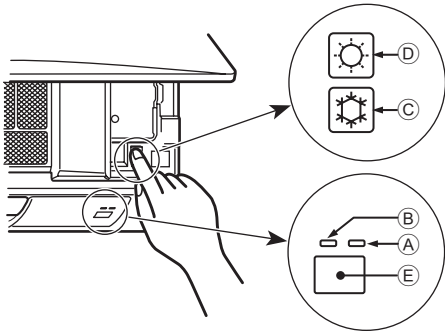
[点式显示表]

选择语言	英文	德文	西班牙文	俄文	意大利文	中文	法文	日文	
等待启动	PLEASE WAIT	←	←	←	←	←	←	←	
操作模式	制冷	COOL	Kühlen	FRÍO	Холод	COOL	制冷	FROID	冷房
	干燥	DRY	Trocknen	DESHUMIDIFICACIÓN	Сушка	DRY	除湿	DESHU	ドライ
	制热	HEAT	Heizen	CALOR	Тепло	HEAT	制热	CHAUD	暖房
	自动	AUTO	AUTO	AUTOMÁTICO	Авто	AUTO	自动	AUTO	自動
	自动(制冷)	COOL	Kühlen	FRÍO	Холод	COOL	制冷	FROID	冷房
	自动(制热)	HEAT	Heizen	CALOR	Тепло	HEAT	制热	CHAUD	暖房
	风扇	FAN	Lüfter	VENTILACIÓN	ВЕНТ	VENTILAZIONE	送风	VENTILATION	送風
	通风	VENTILATION	Geblüsebetrieb	VENTILACIÓN	ВЕНТИЛЯЦИЯ	ARIA ESTERNA	换气	VENTILATION	換気
	待机(热调整)	STAND BY	STAND BY	CALENTANDO	ОБОГРЕВ: ПАУЗА	STAND BY	准备中	PRE CHAUFFAGE	準備中
除霜	DEFROST	Abtauen	DESCONGE-LACIÓN	ОТТАИВАНИЕ	SBRINA MENTO	除霜中	DEGIVRAGE	霜取中	
设定温度	SET TEMP	TEMP einstellen	TEMP. CONSIGNA	ЦЕЛЕВАЯ ТЕМПЕРАТУРА	IMPOSTAZIONE TEMPERATURA	设定温度	REGLAGE TEMPERATURE	設定温度	
风扇速度	FAN SPEED	Lüftergeschwindigkeit	VELOCIDAD VENTILADOR	СКОРОСТЬ ВЕНТИЛЯТОРА	VELOCITA' VENTILATORE	风速	VITESSE DE VENTILATION	風速	
无效按钮	NOT AVAILABLE	Nicht verfügbar	NO DISPONIBLE	НЕ ДОСТУПНО	NON DISPONIBILE	无效按钮	NON DISPONIBILE	無効ボタン	
检查(错误)	CHECK	Prüfen	COMPROBAR	ПРОВЕРКА	CHECK	检查	CONTROLE	点検	
测试运行	TEST RUN	Testbetrieb	TEST FUNCIONAMIENTO	ТЕСТОВЫЙ ЗАПУСК	TEST RUN	试运转	TEST	試運転	
自检	SELF CHECK	Selbst-diagnose	AUTO REVISIÓN	САМОДИАГНОСТИКА	SELF CHECK	自我诊断	AUTO CONTROLE	自己診断	
机组功能选择	FUNCTION SELECTION	Funktion auswählen	SELECCIÓN DE FUNCIÓNES	ВЫБОР ФУНКЦИИ	SELEZIONE FUNZIONI	功能选择	SELECTION FONCTIONS	キョウ選択	
通风设置	SETTING OF VENTILATION	Lüfterstufen wählen	CONFIG. VENTILACIÓN	НАСТРОЙКА ВЕНТУСТАИ	IMPOSTAZIONE ARIA ESTERNA	换气设定	SELECTION VENTILATION	換気設定	

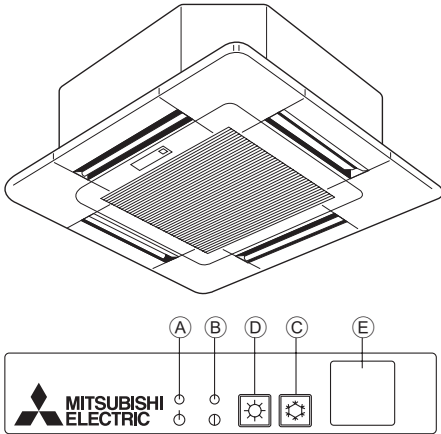
选择语言	英文	德文	西班牙文	俄文	意大利文	中文	法文	日文
更改语言	CHANGE LANGUAGE	←	←	←	←	←	←	←
功能选择	FUNCTION SELECTION	Funktion auswählen	SELECCIÓN DE FUNCIÓNES	ВЫБОР ФУНКЦИИ	SELEZIONE FUNZIONI	功能限制	SELECTION FONCTIONS	キョウ制限
操作功能限制设定	LOCKING FUNCTION	Sperre - Funktion	FUNCION BLOQUEADA	ФУНКЦИЯ БЛОКИРОВКИ	BLOCCO FUNZIONI	操作限制	BLOCCAGE FONCTIONS	操作ロック
自动模式设定使用	SELECT AUTO MODE	Auswahl Autobetrieb	SELECCIÓN MODO AUTO	ВЫБОР РЕЖИМА АВТО	SELEZIONE MODO AUTO	自动模式	SELECTION DU MODE AUTO	自動モード
温度范围限制设定	LIMIT TEMP FUNCTION	Limit Temp Funktion	LÍMIT TEMP CONSIGNA	ОГРАНИЧЕНИЕ УСТ.ТЕМПЕРАТ	LIMITAZIONE TEMPERATURA	温度限制	LIMITATION TEMPERATURE	温度制限
限制温度制冷/干燥模式	LIMIT TEMP COOL MODE	Limit Kühl Temp	LÍMIT TEMP MODO FRÍO	ОГРАНИЧЕНО ОХЛАЖАЮЩЕ	LIMITAZIONE MODO COOL	制冷范围	LIMITE TEMP MODO FROID	制冷房
限制温度制热模式	LIMIT TEMP HEAT MODE	Limit Heiz Temp	LÍMIT TEMP MODO CALOR	ОГРАНИЧЕН ОБОГРЕВ	LIMITAZIONE MODO HEAT	制热范围	LIMITE TEMP MODO CHAUD	制暖房
限制温度自动模式	LIMIT TEMP AUTO MODE	Limit Auto Temp	LÍMIT TEMP MODO AUTO	ОГРАНИЧЕН РЕЖИМ АВТО	LIMITAZIONE MODO AUTO	自动范围	LIMITE TEMP MODO AUTO	制自動
操作模式选择	MODE SELECTION	Betriebsart wählen	SELECCIÓN DE MODO	ВЫБОР РЕЖИМА	SELEZIONE MODO	基本模式	SELECTION DU MODE	基本キョウ
遥控器设定 MAIN	CONTROLLER MAIN	Haupt Controller	CONTROL PRINCIPAL	ОСНОВНОЙ ПУЛЬТ	CONTROLLO MAIN	遥控主	TELCOMMANDE MAITRE	リモコン主機
遥控器设定 SUB	CONTROLLER SUB	Neben Controller	CONTROL SECUNDARIO	ДОПОЛНИТЕЛЬНЫЙ ПУЛЬТ	CONTROLLO SUB	遥控辅	TELCOMMANDE ESCLAVE	リモコン副機
时钟设定使用	CLOCK	Uhr	RELOJ	Часы	OROLOGIO	时钟	AFFICHAGE HORLOGE	時計
设定周日期及时间	TIME SET ⇨:ENTER	Uhr stellen ⇨:einstellen	CONFIG RELOJ ⇨:CONFIG	Часы: УСТ. ⇨: ВВОД	OROLOGIO ⇨: ENTER	时间 ⇨: ENTER	HORLOGE ⇨: ENTRER	トケイセッテイ ⇨: カクタイ
定时器设定	TIMER SET ⇨:ENTER	Zeitschaltuhr ⇨:einstellen	TEMPORIZA - DOR⇨:CONFIG	ТАЙМЕР: УСТ. ⇨: ВВОД	TIMER ⇨: ENTER	定时器 ⇨: ENTER	PROG HORAIRE ⇨: ENTRER	タイマーセッテイ ⇨: カクタイ
定时器监视器	TIMER MONITOR	Uhrzeit Anzeige	VISUALIZAR TEMPORIZAD.	ПРОСМОТР ТАЙМЕРА	VISUALIZ TIMER	定时器状态	AFFICHAGE PROG HORAIRE	タイマーモニター
每周定时器	WEEKLY TIMER	Wochenzeit schalt Uhr	TEMPORIZA - DOR SEMANAL	НЕДЕЛЬНЫЙ ТАЙМЕР	TIMER SETTIMANALE	每周定时器	PROG NEBDO MADAIRE	タイマー週間
定时器模式关闭	TIMER MODE OFF	Zeitschaltuhr AUS	TEMPORIZA - DOR APAGADO	ТАЙМЕР ВЫКЛ.	TIMER OFF	定时器无效	PROG HORAIRE INACTIF	タイマー無効
自动关闭定时器	AUTO OFF TIMER	AUTO Zeit funktion AUS	APAGADO AUTOMÁTICO	АВТООТКЛЮЧ. ПО ТАЙМЕРУ	AUTO OFF TIMER	解除定时	PROG HORAIRE ARRET AUTO	タイマー解除
简单定时器	SIMPLE TIMER	Einfache Zeitfunktion	TEMPORIZA - DOR SIMPLE	ПРОСТОЙ ТАЙМЕР	TIMER SEMPLIFICATO	简易定时器	PROG HORAIRE SI MPL LIFE	タイマーカンイ
故障时的联络号码设定	CALL	←	←	←	←	←	←	←
更改显示	DISP MODE SETTING	Anzeige Betriebsart	MOstrar MODO	НАСТРОЙКА ИНА РЕЖИМА	IMPOSTAZIONE MODO DISPLAY	转换表示	AFFICHAGE SOUS MENU	表示切替
温度显示 °C/°F 设定	TEMP MODE °C/°F	Wechsel °C/°F	TEMP.GRADOS °C/°F	ЕДИН.ТЕМПЕР. °C/°F	TEMPERATURA °C/°F	温度 °C/°F	TEMPERATURE °C/°F	温度 °C/°F
进气温度显示设定	ROOM TEMP DISP SELECT	Raum Temp zeichnen	MOstrar TEMP.	ПОКАЗЫВАТЬ ТЕМП.В КОМ.	TEMPERATURA AMBIENTE	吸入温度	TEMPERATURE AMBIANTE	スリコオド
自动制冷/制热显示设定	AUTO MODE DISP C/H	Auto Betrieb C/H	MOstrar F/C EN AUTO	ИНА. Т./Х В РЕЖИМЕ АВТО	AUTO C/H	自动表示	AFFICHAGE AUTO F/C	自動表示

9. 无线遥控器紧急操作

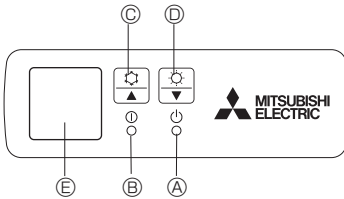
■ PKFY-P · VKM-E



■ PLFY-P · VCM-E2



■ PCFY-P · VKM-E



当无线遥控器无法使用时

当遥控器电池用尽或遥控器发生故障时，可使用格栅上的紧急按钮执行紧急操作。

- Ⓐ 除霜 / 待机指示灯
- Ⓑ 操作灯
- Ⓒ 紧急操作制冷开关
- Ⓓ 紧急操作制热开关
- Ⓔ 接收器

开始操作

- 要执行制冷模式，按住  按钮 Ⓒ 2 秒钟以上。
- 要执行制热模式，按住  按钮 Ⓓ 2 秒钟以上。
- 操作灯 Ⓑ 点亮表示操作开始。

注意：

- 紧急操作模式的具体内容如下所示。

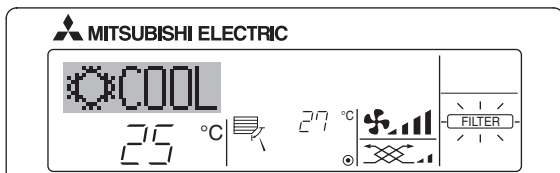
紧急操作模式的具体内容如下所示。

操作模式	COOL	HEAT
设定温度	24°C	24°C
风扇速度	高	高
气流方向	水平	向下 4 (5)

停止操作

- 要停止操作，按住  按钮 Ⓒ 或  按钮 Ⓓ 2 秒钟以上。

10. 保养与清洁



- 表示需要清洁过滤网。
清洁过滤网。
- 复位“FILTER”时显示
在清洁过滤网后连续按下 [FILTER] 按钮 2 次时，显示熄灭并复位。

注意：

- 当控制两台或多台不同类型的室内机组时，不同类型的过滤网有不同的清洁期限，当达到主机组的期限时，显示“FILTER”。当过滤网显示熄灭时，累计的时间被复位。
- “FILTER”表示在常规室内空气条件下使用空调器达到规定时间时的清洁期限。因此脏的程度取决于环境的条件，据此清洁过滤网。
- 过滤网清洁期限累计时间根据型号的不同而不同。
- 此指示不适用于无线遥控器。

▶ 清洁滤清器

- 使用吸尘器清洁滤清器。如果您没有吸尘器，则可对着一个坚硬体轻击滤清器，将灰尘敲落。
- 如果滤清器特别肮脏，则应使用微温水冲洗。应注意彻底擦除任何清洁剂，并且在将滤清器重新放回本机内之前使滤清器完全晾干。

⚠ 注意：

- 切勿在直射的太阳光下晒干滤清器，或者用一个热源如电炉烘干滤清器：这样会使滤清器变形。
- 切勿用热水（50°C 以上）清洗滤清器，否则会使滤清器变形。
- 应确保始终安装空气滤清器。操作本机时，若无空气滤清器，则可能引起故障。

⚠ 注意：

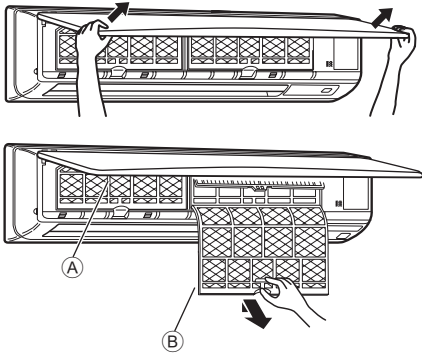
- 清洗机件之前，必须先停止操作以及将电源关掉。
- 室内机组内备有隔除吸入空气尘埃用的过滤网。请依照下图表示方法，清除过滤网上的污垢。

⚠ 注意：

- 拆卸滤清器时，务必采取适当的预防措施，以免尘埃入眼。此外，如果要爬上凳子拆卸滤清器，请小心不要掉下来。
- 拆卸滤清器后，切勿触摸室内机组内的金属部分，否则可能会导致受伤。

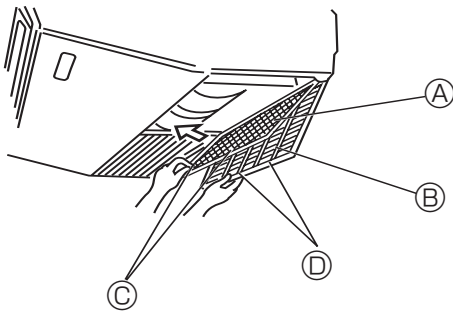
10. 保养与清洁

■ PKFY-P · VKM-E



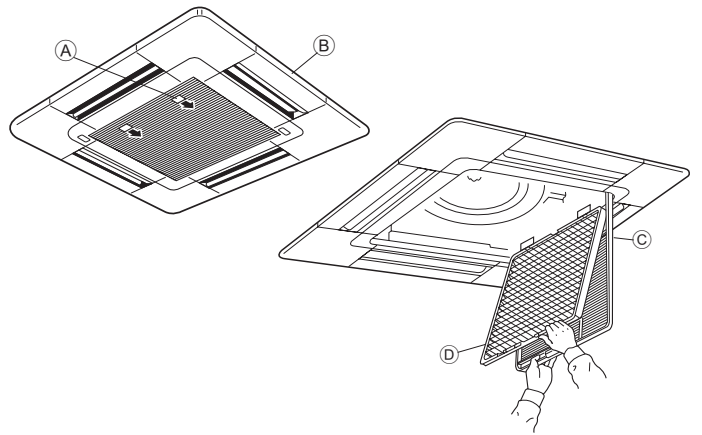
- ① 用双手持进气格栅的底部两端，拉起格栅，然后将过滤网提起直到其卡到停止位置。
 - ② 握住过滤网上的抓手拉起过滤网，然后将其向下拉出。
(位于左右两个位置。)
- A 前格栅
 B 过滤网

■ PCFY-P · VKM-E



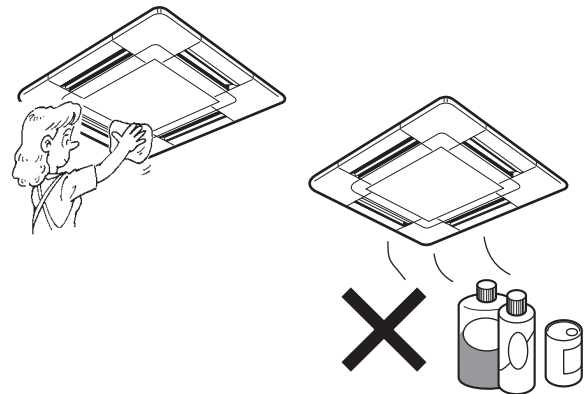
- ① 打开进气格栅。
 - ② 按住过滤器上的旋钮，然后依照箭头方向向上拉动过滤器。若要在清洁之后更换过滤器，则务必尽可能深入地插入过滤器杆，直至其装配在止动器内。
- A 滤清器 B 进气格栅 C 抓手 D 止动器

■ PLFY-P · VCM-E2



- ① 依照箭头所示的方向，拉动在进气格栅的抓手，便应该可以将进气格栅打开。
 - ② 打开进气格栅。
 - ③ 松开进气格栅中央边缘的旋钮，并且将过滤网向前推以卸下过滤网。
- A 抓手
 B 格栅
 C 进气格栅
 D 滤清器

清洁室内机组





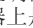





- 使用一块清洁、柔软的乾布擦拭机组外壳。
- 使用中性家用洗涤剂（例如洗碟剂或洗衣剂）抹掉所有油污或指纹。

⚠ 注意：

切勿使用汽油、苯、稀释剂、擦洗粉或任何非中性洗涤剂，因为这些物质可能会损坏机组的外壳。

11. 故障诊断

问题	解决办法（机组正常运行）
空调器无法有效制热或制冷。	<ul style="list-style-type: none"> ■ 清洁过滤网。（过滤网脏污或阻塞时气流减少。） ■ 检查温度调节并调节设定温度。 ■ 确定室外机组周围有足够空间。室内机组进气口或出气口是否阻塞？ ■ 门窗是否打开？
加热操作开始时，热空气没有很快从室内机组吹出。	<ul style="list-style-type: none"> ■ 室内机组充分预热后才能吹出热空气。
制热模式中，空调器在到达设定室温前停止。	<ul style="list-style-type: none"> ■ 当室外温度较低且湿度较高时，室外机组表面会结霜。若发生此情形，室外机组会执行除霜操作。约 10 分钟后恢复正常操作。
气流上 / 下方向在操作中改变或无法设定气流上 / 下方向。	<ul style="list-style-type: none"> ■ 制冷模式中，当选择向下（水平）气流方向时，叶片自动移动至水平（下）位置。这是为了防止水滴形成并落下。 ■ 制热模式中，当气流温度较低或在除霜模式中，叶片自动移动至水平气流方向。
当气流上 / 下方向改变时，叶片始终越过设定位置上下移动，最终停止在该位置上。	<ul style="list-style-type: none"> ■ 当气流上 / 下方向改变时，叶片在侦测到基础位置后移动至设定位置。
听到流水声或偶然的嘶嘶声。	<ul style="list-style-type: none"> ■ 当制冷剂在空调器内流动时或制冷剂流量改变时可听到这些声音。
听到噼啪声或吱吱声。	<ul style="list-style-type: none"> ■ 当部件由于温度变化引起的膨胀收缩而彼此摩擦时，可听到这些声音。
室内有异味。	<ul style="list-style-type: none"> ■ 这是因为室内机组吸入的空气含墙壁、橱柜和家具产生的气体，以及衣服内残留气味，然后将空气吹入室内。
室内机组发出白雾或蒸气。	<ul style="list-style-type: none"> ■ 若室内温度及湿度较高，操作开始时可发生此情况。 ■ 除霜模式中，冷气流可向下吹，看似烟雾。
室外机组喷出水或蒸气。	<ul style="list-style-type: none"> ■ 制冷模式中，可形成水并从冷却管及结合处滴落。 ■ 制热模式中，可形成水并从热交换器滴落。 ■ 除霜模式中，热交换器上的水蒸发，形成水蒸气。
遥控器显示器上未出现操作指示器。	<ul style="list-style-type: none"> ■ 开启电源开关。遥控器显示器上会出现“”。
尽管按下 ON/OFF 按钮，空调机也不运行。遥控器显示器上的操作模式显示消失。	<ul style="list-style-type: none"> ■ 室内机组的电源开关是否关闭？打开电源开关。
遥控器显示器上出现“  ”。	<ul style="list-style-type: none"> ■ 中央控制过程中，遥控器显示器上出现“”，无法使用遥控器开始或停止空调器操作。
当停机后很快重新启动空调器时，即使按下开 / 关按钮也不运行。	<ul style="list-style-type: none"> ■ 等待约三分钟。 (为保护空调器操作已停止。)
未按下开 / 关按钮空调器即运行。	<ul style="list-style-type: none"> ■ 是否设定了开启定时器？ 按下开 / 关按钮停止操作。 ■ 空调器是否与中央遥控器连接？ 请联系控制空调器的有关人员。 ■ 遥控器显示器上是否出现“”？ 请联系控制空调器的有关人员。 ■ 是否已设定电源故障自动恢复功能？ 按下开 / 关按钮停止操作。
未按下开 / 关按钮空调器即停止。	<ul style="list-style-type: none"> ■ 是否设定了关闭定时器？ 按下开 / 关按钮重新启动操作。 ■ 空调器是否与中央遥控器连接？ 请联系控制空调器的有关人员。 ■ 遥控器显示器上是否出现“”？ 请联系控制空调器的有关人员。
无法设定遥控器定时器操作。	<ul style="list-style-type: none"> ■ 定时器设置是否无效？ 若可设定定时器，遥控器显示器上出现 , , 或 。
遥控器显示器上出现“PLEASE WAIT”。	<ul style="list-style-type: none"> ■ 正在执行初始设置。请等待约 3 分钟。
遥控器显示器上出现错误码。	<ul style="list-style-type: none"> ■ 保护装置已运行，保护空调器。 ■ 切勿尝试自行修理本设备。 立刻关闭电源并联系分销商。请确定为分销商提供型号名称和遥控器显示器上出现的信息。
听到排水声或马达转动声。	<ul style="list-style-type: none"> ■ 当冷却操作停止时，排水泵工作再停止。请等待约 3 分钟。

11. 故障诊断

问题	解决办法（机组正常运行）												
噪音比规格大。	<ul style="list-style-type: none"> 室内操作噪声级别受特定房间声学所影响，如下表所示，将会大于在无回声房间内测量出的噪音规格。 <table border="1"> <thead> <tr> <th></th> <th>高吸音房间</th> <th>标准房间</th> <th>低吸音房间</th> </tr> </thead> <tbody> <tr> <td>位置范例</td> <td>广播室、录音室等</td> <td>会客室、酒店休息室等</td> <td>办公室、酒店房间</td> </tr> <tr> <td>噪音级别</td> <td>3 至 7 dB</td> <td>6 至 10 dB</td> <td>9 至 13 dB</td> </tr> </tbody> </table>		高吸音房间	标准房间	低吸音房间	位置范例	广播室、录音室等	会客室、酒店休息室等	办公室、酒店房间	噪音级别	3 至 7 dB	6 至 10 dB	9 至 13 dB
	高吸音房间	标准房间	低吸音房间										
位置范例	广播室、录音室等	会客室、酒店休息室等	办公室、酒店房间										
噪音级别	3 至 7 dB	6 至 10 dB	9 至 13 dB										
无线遥控器显示器上无任何显示，显示器模糊，或遥控器稍远时室内机组无法接收到信号。	<ul style="list-style-type: none"> 电池电量低。更换电池并按下重设按钮。 若更换电池后仍无任何显示，请确定电池是否以正确方向 (+,-) 安装。 												
室内机组上无线遥控器接收器旁的操作灯闪烁。	<ul style="list-style-type: none"> 保护空调器的自我诊断功能已操作。 切勿尝试自行修理本设备。立刻关闭电源并联系分销商。请确定为分销商提供型号名称。 												
加热模式关闭时或在风扇模式时，室内机组间歇送出暖气。	<ul style="list-style-type: none"> 另一台室内机组在加热模式下运行时，控制阀偶尔开启和关闭以保持空调系统的稳定性。该操作过一会之后停止。 * 如果这会引起小房间内室温上升，等等，请暂时停止室内机组的运行。 												

适用范围

Y 系列，R2 和 Multi-S 的室内和室外机组的运作温度范围如下。

⚠ 注意：

在适用范围以外的温度及湿度下使用空调机，可能导致严重的机件故障。

模式	室内机组	室外机组		
		PUHY	PURY	PUMY
冷却	15 °C - 24 °C WB	-5 °C - 46 °C DB	-5 °C - 46 °C DB	-5 °C - 46 °C DB
加热	15 °C - 27 °C DB	-20 °C - 15.5 °C WB	-20 °C - 15.5 °C WB	-15 °C - 15 °C WB

注意：我们建议在相对湿度 30~80% 以内的情况下使用室内及室外机组。

⚠ 警告：

如果空调机运转但没有在房间内进行冷却或加热（根据机型），可能有冷媒泄漏，请咨询您的经销商。当进行维修时，请确保询问服务代表是否冷媒泄漏。充注在空调机内的冷媒是安全的。冷媒一般不会泄漏，但若气体冷媒在室内泄漏并接触风扇加热器、空间加热器、火炉等的火焰，可能会产生有害物质。

12. 规格

型号		PKFY-P63VKM-E	PKFY-P100VKM-E
电源 (电压 <V> / 频率)	<Hz>	~N/220-230-240/50, 220/60	
能力 (冷却 / 加热)	<kW>	7.1/8.0	11.2/12.5
尺寸 (高)	<mm>	365	
尺寸 (宽)	<mm>	1170	
尺寸 (深)	<mm>	295	
净重	<kg>	22	
风扇额定流量 (低档 - 高档)	<m ³ /min>	16-20	20-25
噪声级 (低档 - 高档)	<dB>	39-43	41-49

型号		PLFY-P15VCM-E2	PLFY-P20VCM-E2	PLFY-P25VCM-E2	PLFY-P32VCM-E2	PLFY-P40VCM-E2
电源 (电压 <V> / 频率)	<Hz>	~N/220-230-240/50				
能力 (冷却 / 加热)	<kW>	1.7/1.9	2.2/2.5	2.8/3.2	3.6/4.0	4.5/5.0
尺寸 (高)	<mm>	208 (20)				
尺寸 (宽)	<mm>	570 (650)				
尺寸 (深)	<mm>	570 (650)				
净重	<kg>	15.5 (3)			17.0 (3)	
风扇额定流量 (低档 - 中档 - 高档)	<m ³ /min>	8-8.5-9	8-9-10		8-9-11	
噪声级 (低档 - 中档 - 高档)	<dB>	28-30-31	28-31-35	28-31-37	29-33-38	30-34-39

型号		PCFY-P40VKM-E	PCFY-P63VKM-E	PCFY-P100VKM-E	PCFY-P125VKM-E
电源 (电压 <V> / 频率)	<Hz>	~N 220-230-240/50, 220/60			
能力 (冷却 / 加热)	<kW>	4.5/5.0	7.1/8.0	11.2/12.5	14.0/16.0
尺寸 (高)	<mm>	230			
尺寸 (宽)	<mm>	960	1280	1600	
尺寸 (深)	<mm>	680			
净重	<kg>	24	32	36	38
风扇额定流量 (低档 - 中档 2- 中档 1- 高档)	<m ³ /min>	10-11-12-13	14-15-16-18	21-24-26-28	21-24-27-31
噪声级 (低档 - 中档 2- 中档 1- 高档)	<dB>	29-32-34-36	31-33-35-37	36-38-41-43	36-39-42-44

*1 冷却 / 加热能力是表示在下列条件运行下时的最大值。

冷却: 室内 27 °C DB/19 °C WB, 室外 35 °C DB

加热: 室内 20 °C DB, 室外 7 °C DB/6 °C WB

*2 () 内数字为面板的数值。

Please be sure to put the contact address/telephone number on
this manual before handing it to the customer.

mitsubishi **ELECTRIC CORPORATION**
HEAD OFFICE: TOKYO BLDG., 2-7-3, MARUNOUCHI, CHIYODA-KU, TOKYO 100-8310, JAPAN